

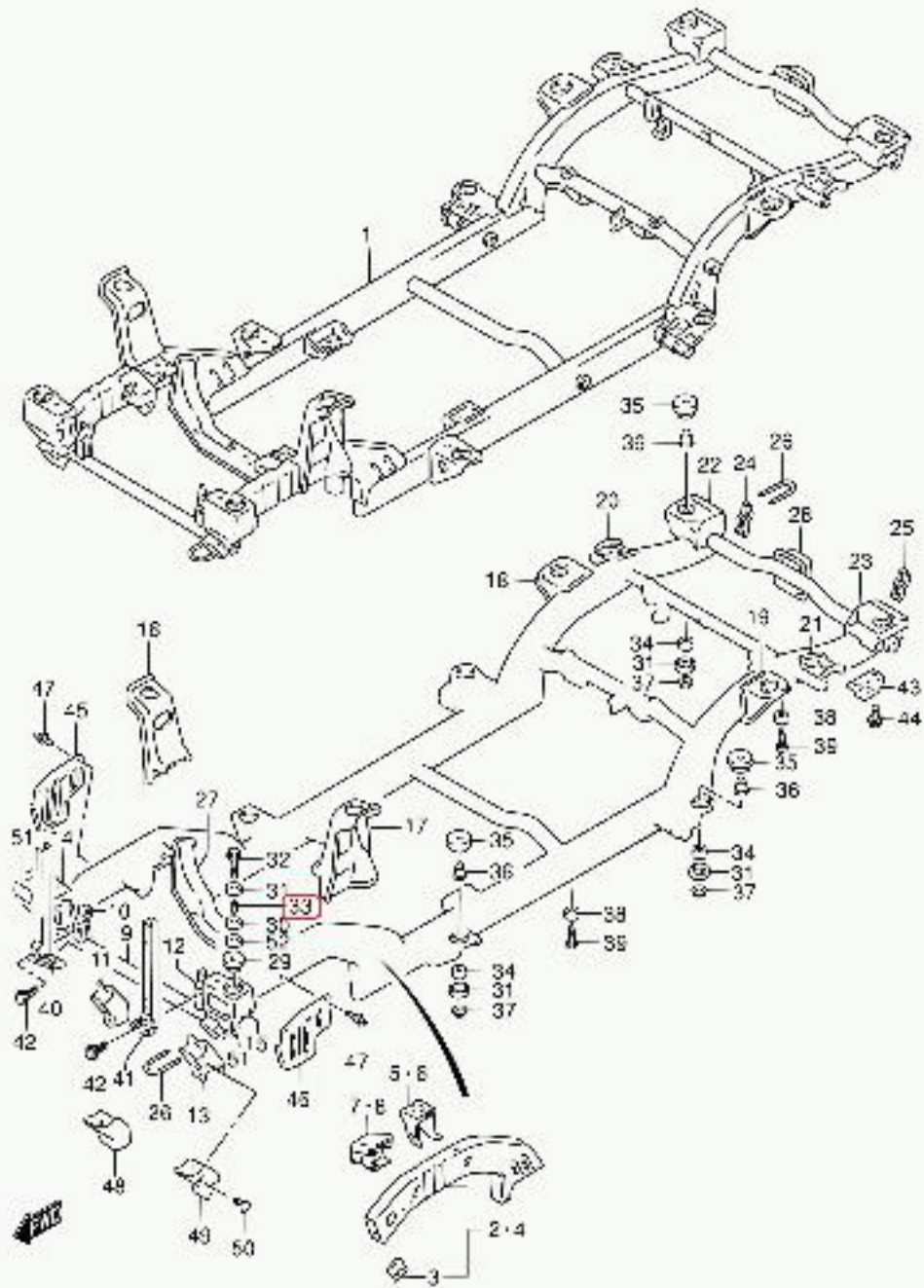


AMJ Classics

## SANTANA - 71516-56B00 - CASQUILLO

### Casquillo

Vehículo Códigos de modelo Código de modelo Fecha del modelo desde spec  
Vitara/Sidekick SE416 SE416 (E03,E33:MY 1993) 93 MODEL  
Vitara/Sidekick SE416 SE416-5 TYPE 5  
Vitara/Sidekick SE416 SE416 (3DR) TYPE 1  
Vitara/Sidekick SV418 SV418 (MY 1997) 97 MODEL SV418  
Vitara/Sidekick SE416 SE416 (E03,E33:MY 1995) 95 MODEL  
Vitara/Sidekick SE416 SE416-4 TYPE 4  
Vitara/Sidekick SV418 SV418 (MY 1996) 96 MODEL SV418  
Vitara/Sidekick SV420 SV420D SV420D TYPE 1  
Vitara/Sidekick SE416 SE416 (E03,E33:MY 1994) 94 MODEL  
Vitara/Sidekick SE416 SE416-3 (5DR) TYPE 3  
Vitara/Sidekick SV620 SV620 SV620 TYPE 1  
Vitara/Sidekick SV620 SV620-3 SV620  
Vitara/Sidekick SE416 SE416 (E24) TYPE 1  
Vitara/Sidekick SE416 SE416-2 (E24) TYPE 2  
Vitara/Sidekick SE416 SE416 (E03,E28,E33,E60:MY 1998) 98 MODEL SE416  
Vitara/Sidekick SE416 SE416-2 (5DR) TYPE 2  
Vitara/Sidekick SE416 SE416 (E03,E28,E33,E60:MY 1997) 97 MODEL SE416  
Vitara/Sidekick SE416 SE416-2 (Santana) TYPE 2  
Vitara/Sidekick SE416 SE416 (E03,E28,E33,E60:MY 1996) 96 MODEL SE416  
Vitara/Sidekick SE416 SE416 (E03,E33:MY 1992) 92 MODEL  
Vitara/Sidekick SE416 SE416-3 (3DR) TYPE 3  
Vitara/Sidekick SE416 SE416 (E28:MY 1994) 94 MODEL  
Vitara/Sidekick SV418 SV418 (MY 1998) 98 MODEL SV418  
Vitara/Sidekick SE416 SE416-3 (Santana) TYPE 3  
X90 SZ416 SZ416 (E30,E28,E33:MY 1998) 98 MODEL  
Vitara/Sidekick SE416 SE416 (E28:MY 1995) 95 MODEL  
Vitara/Sidekick SE416 SE416 (E28:MY 1992) 92 MODEL  
X90 SZ416 SZ416 (E01,E02,E22,E24,E43)  
Vitara/Sidekick SE416 SE416 (Santana) TYPE 1  
Vitara/Sidekick SE416 SE416-2 (3DR) TYPE 2  
Vitara/Sidekick SE416 SE416-3 (E24) TYPE 3  
Vitara/Sidekick SE416 SE416 (E28:MY 1993) 93 MODEL  
Vitara/Sidekick SV620 SV620-2 SV620 TYPE 2  
Vitara/Sidekick SV420 SV420D-3 SV420D  
Vitara/Sidekick SV420 SV420G-3 SV420G  
Vitara/Sidekick SV420 SV420D-2 SV420D TYPE 2  
X90 SZ416 SZ416 (E30,E28,E33:MY 1996) 96 MODEL  
X90 SZ416 SZ416 (E30,E28,E33:MY 1997) 97 MODEL



SE416 3DR E01 213  
CLASS S - FRAME