



AMJClassics

SANTANA - 25542-78E50 - TAPÓN,PIN DE LEVA DE BLOQUEO

Tapon

PLUG,INTERLOCK CAM PIN

FICHE,PINCE DE CAME DE VERROUILLAGE

Vehículo Código de modelo ??dificación

Grand Vitara SQ625 SQ625 (E28,E33,E60:MY 2000) 00 MODEL

Vitara/Sidekick SE419 SE419D (Santana)

Grand Vitara SQ625 SQ625 (E28,E33,E60:MY 2002) 02 MODEL

Vitara/Sidekick SV420 SV420D SV420D TYPE 1

Grand Vitara XL-7 JA627 JA627W-2 (E02,E06,E10,E11,E21,E22,E24,E37,E38,E43,E50,E54)

Grand Vitara SQ625 SQ625W-2 (G.Vitara) SQ625W

Grand Vitara SQ625 SQ625 (E28,E33,E60:MY 1999) 99 MODEL

Grand Vitara SQ625 SQ625 (E28,E33:MY 2004) 04 MODEL

Grand Vitara SQ625 SQ625 (E28,E33:MY 2005) 05 MODEL

Grand Vitara SQ625 SQ625W-3 (G.Vitara) SQ625W

Grand Vitara SQ420 SQ420WD-2 SQ420WD

Grand Vitara SQ625 SQ625 (E28,E33,E60:MY 2001) 01 MODEL

Grand Vitara XL-7 JA627 JA627W (MY 2002) 02 MODEL

Grand Vitara SQ625 SQ625 (E28,E33,E60:MY 2003) 03 MODEL

Vitara/Sidekick SE420 SE420 HDI 3DR (Santana) 3DR

Grand Vitara SQ420 SQ420WD SQ420WD

Vitara/Sidekick SV420 SV420D-3 SV420D

Vitara/Sidekick SV420 SV420D-2 SV420D TYPE 2

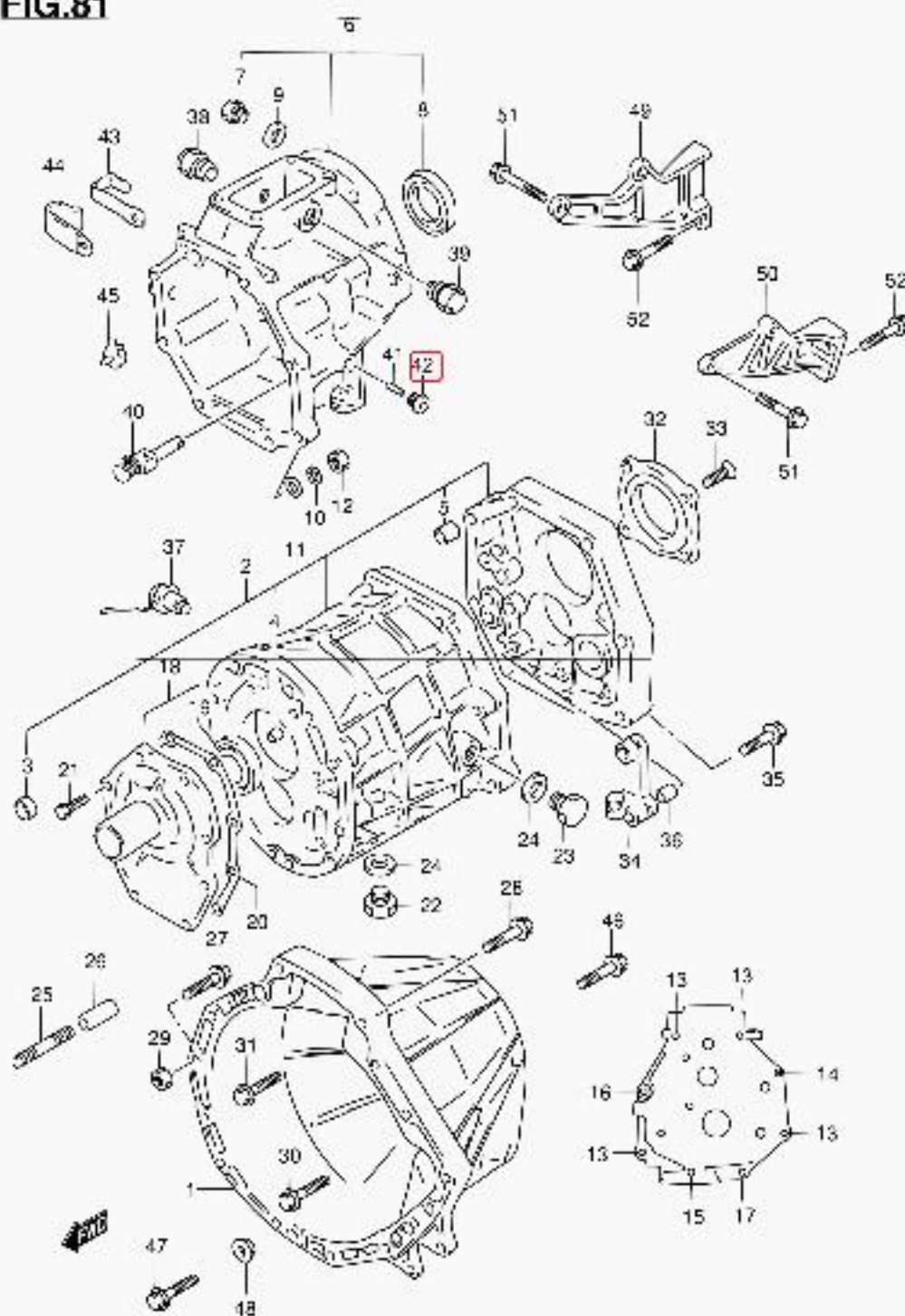
Grand Vitara XL-7 JA627 JA627W (MY 2001) 01 MODEL

Vitara/Sidekick SE420 SE420 HDI 5DR (Santana) 5DR

Grand Vitara SQ625 SQ625W (G.Vitara) SQ625W

Vitara/Sidekick SQ625 SQ625L (Vitara)

FIG.81



SQ420W E22 081
MT TRANSMISSION CASE (420WD,625W)