

SUZUKI

**SUZUKI**  
PARTS CATALOGUE

**SE419TD**

SE419TD RHD

**SANTANA MOTOR, S.A.**

**VITARA**

VITARA





Model of catalogue	Part catalogue No.
SE419TD (RHD)	00000A01373-01I

INFORMATION  
ILLUSTRATION INDEX

1

ENGINE

2

TRANSMISSION

3

ELECTRICAL

4

SUSPENSION  
BRAKE

5

BODY

6

PARTS NUMBER INDEX

7



## SE419TD (RHD)



**3 DR METAL TOP  
COMMERCIAL**



**3 DR CANVAS TOP**



**5 DR**



## General Information

This catalogue is supplementary to VITARA SE416 / SE419TD, parts catalogue No. 0000A01284.

For VITARA 419TD model RHD.

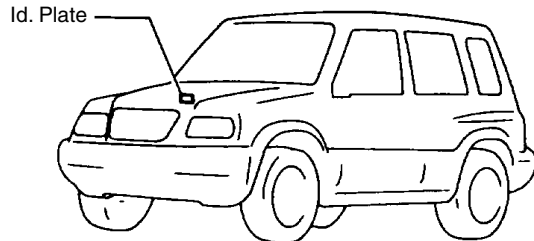
This manual describes the differences between the VITARA 1.9TD RHD model and the VITARA 1.9TD LHD model.

To look up information, consult the Vitara SE419TD RHD supplementary parts catalogue initially. If the information cannot be found in this supplement, consult the Vitara SE416 / SE419TD parts catalogue

For easier and exact reference of parts required for a certain vehicle, various marks are puts in the remarks column of this catalogue.

Exact parts required can be located by referring to this remark, the engine serial number of the vehicle and the information given in the model identification Plate, which is provided for each vehicle in the location as illustrated bellow.

### 1.- Location of the model. Identification Plate



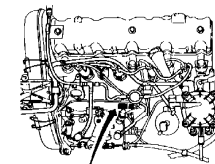
## 2.- Information of the model Identification Plate

SANTANA MOTOR S.A.	
1	
VSEET.....	2
	Kg
3	
	Kg

1. Homologation countersing
2. Vehicle Identification Numer (17 digits)
3. Maximum Weight
4. Maximum Weight with tow
5. Maximum Weight Front axle
6. Maximum Weight Rear axle.

### 3.- Engine Serial Number

Engine Serial Number is provided in the location illustrated bellow



(A) 1941G10  
(B) XXXXXX

Location of punched engine serial number



## 4.- Dimension

Dimensions of the parts are indicated in millimeters.

## 5.- Abbreviations

Abbreviations used in this catalogue are as follows:

A:	Ampere	NT:	Number of Teeth
AH:	Ampere/hour	NTB:	New Type B
AR:	As Required	N1:	2 Seats
ASSY:	Assembly	OD:	Outside Diameter
Air Con:	Air Conditioning	OPNG:	Opening
BRKT:	Bracket	OPT:	Optional
COLPS:	Collapsible	OS:	Over Side
COMB:	Combination	QTR:	Quarter
CTR:	Center	R:	Right Hand Side
D:	Diameter of Material	REV:	Reverse
DF:	Differential	RH:	Right Hand Size
DR:	Door	RHD:	Right Hand Drive
E.L.R.:	EmergencyLock Retractor	RR:	Rear
E.N.:	Engine Number	SPNSN:	Suspension
EXC:	Except	STD:	Standard
FL:	Floor	T:	Thickness
FLEX:	Flexible	TACH:	Tachometer
FLTR:	Filter	TD:	Turbo Diesel
F.N <sup>o</sup> :	Frame Number	TEMP:	Temperature
FR:	Front	UP:	Upper
HR:	Hour	US:	Under size
HSG:	Housing	V.I.N:	Vehicle identif. No.
ID:	Inside Diameter or Identific.	W:	Wide
INR:	Inner	W/:	With
I/P:	Instrument panel	&:	And
JLX:	JLX Grade	1ST:	First
L:	Lenght or Left	2ND:	Second
LH:	Left Hand Side	2WD:	2 Wheel Drive
LWR:	Lower	3DR:	3 Door
MT:	Manual Transmission	3RD:	Third
N/:	Non	4TH:	Fourth
ND:	Nippon Denso	4WD:	4 Wheel Drive
NO:	Number	5FH:	Fifth
		5DR:	5 Door

SE419TD RHD

~ VSEETV03CNT2...:  
VSEETV03CNT2... ~:  
12 x 34 x 5.6 .....  
| | |  
ID OD T(or W, L)

Up to chasis No. VSEETV03CNT2....  
From chasis No. VSEETV03CNT2....  
Figures in the description column show the millimeter  
dimensions of parts.

Ž **12345-82001 (Part N<sup>o</sup>)**: Indicates that the part number was changed to 12345-82001 and the new part is interchangeable with the former one, but the former one is not interchangeable with the new one.

**12345-82001 (Part N<sup>o</sup>)**: Indicates that the former and new parts are interchangeable with each other and are usable.

z

## 6.- Inner parts of assembly

Parts number that have a period (•) mark in front of the description on a text page are separately-available parts of the assembly.

## 7.- Modification Notice

A parts Modification Notice will be sent to you on all occasions when changes in parts occur, including interchangeable modifications between new parts and old ones.

## 8.- Note

- 8.1.- There are some times differences between spare parts and those originally used in of production models due to administrative reasons and common use with other models.
- 8.2.- Rubber hoses and vinyl tubes should be cut to size in accordance with information detailed in the parts catalogue.
- 8.3.- Note that the drawing on the illustration pages are for ready reference of spare parts numbers and are not to be used as an assembly manual.

When assembling, please refer to appropriate SERVICE MANUAL.

## 9.- V.I.N. Number

Hereunder Vin numbers are indicated corresponding to the Vitara Turbo Diesel RHD for which this catalogue must be used.

Vitara 3 Doors, 1.9TD, Canvas top  
From V.I.N. VSEETV03CNT2...

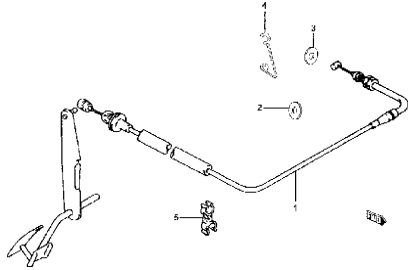
Vitara 3 Doors, 1.9TD, Metal top  
From V.I.N. VSEETV03VNT2....

Vitara 5 Doors, 1.9TD, Metal top  
From V.I.N. VSEETW03VNT2....

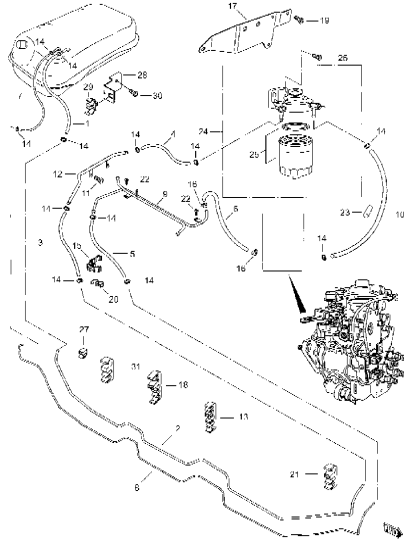




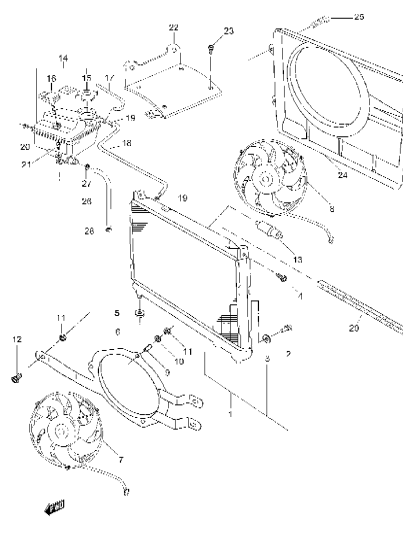
**FIG.18A** ACCEL CABLE



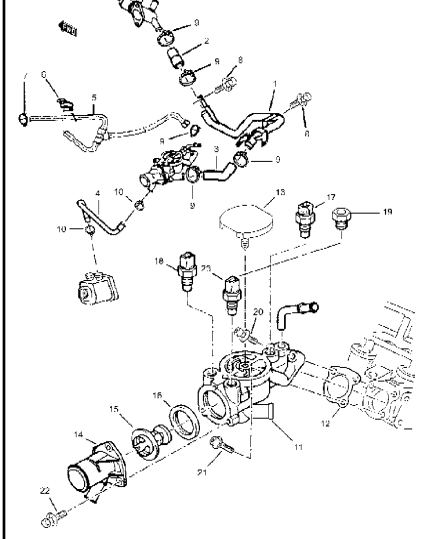
**FIG.36A** FUEL PUMP



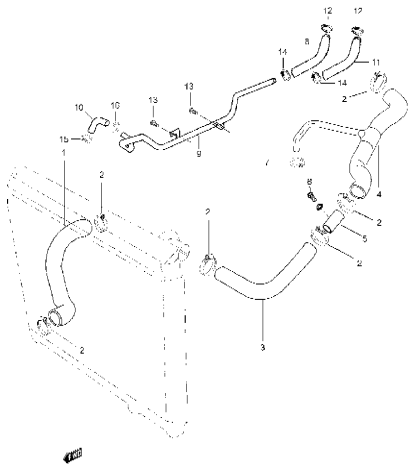
**FIG.40A** RADIATOR



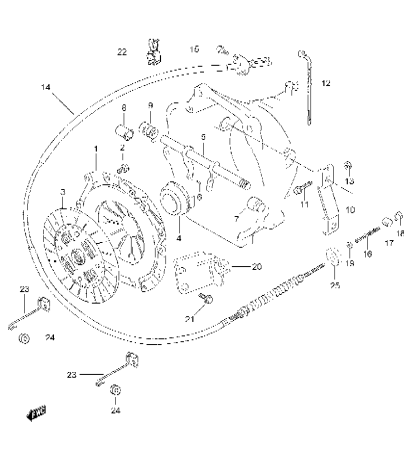
**FIG.42B** THERMOSTAT



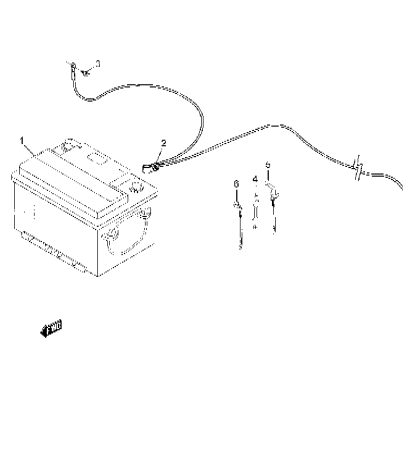
**FIG.43A** WATER HOSE



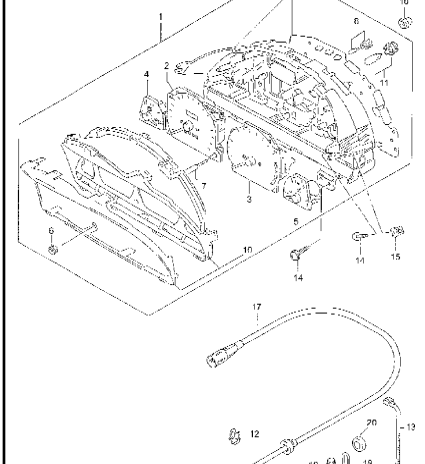
**FIG.48A** CLUTCH



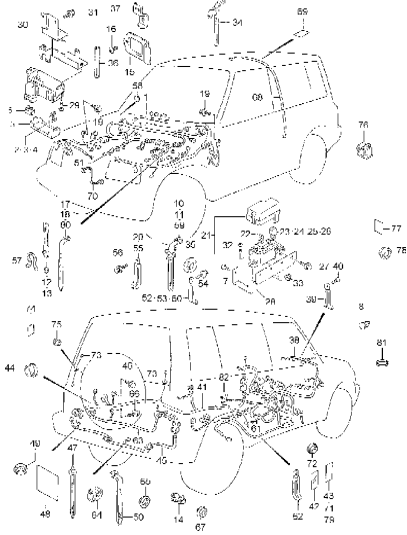
**FIG.85A** BATTERY



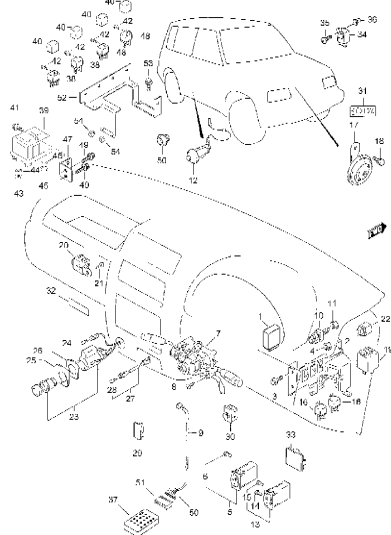
**FIG.86A** SPEEDOMETER



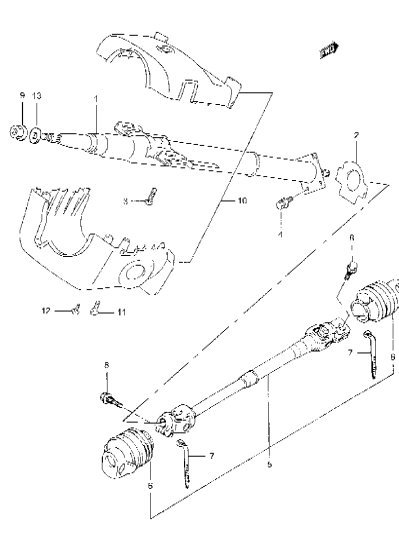
**FIG.94A** WIRING HARNESS



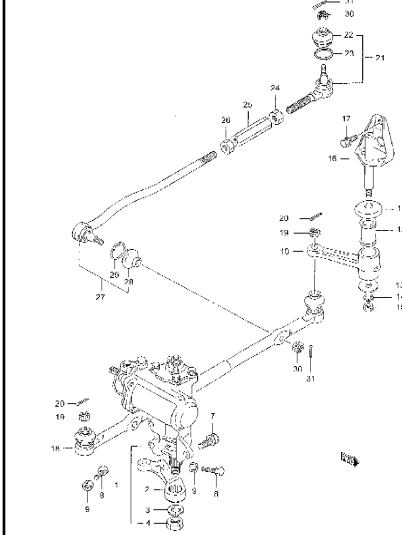
**FIG.96A** ELECTRICAL CONTROL



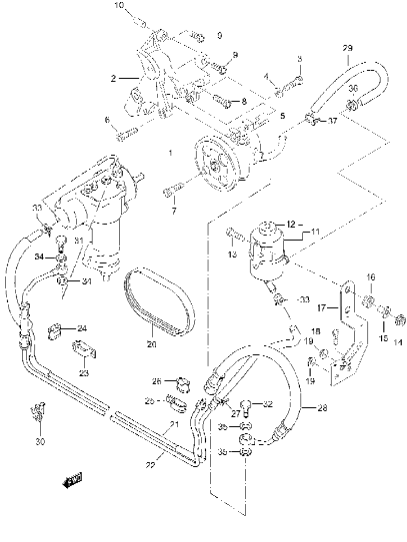
**FIG.114A** STEERING COLUMN



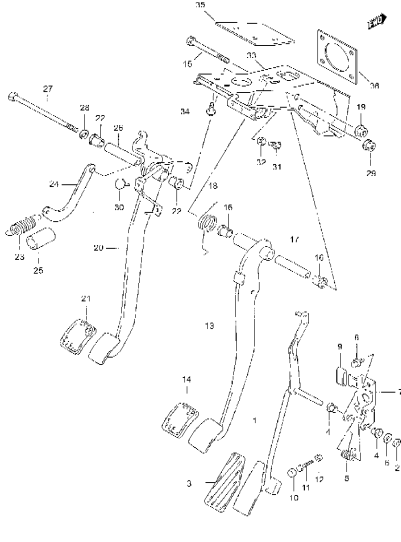
**FIG.116A** STEERING LINK AND GEAR



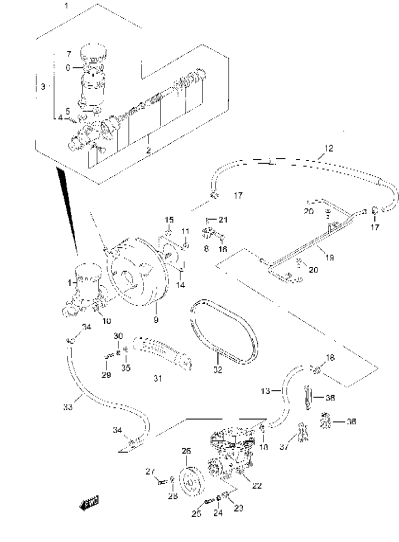
**FIG.118A** POWER STEERING OIL PUMP



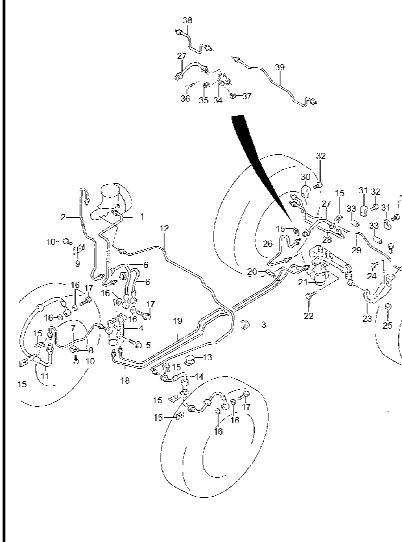
**FIG.120A** PEDAL AND PEDAL BRACKET



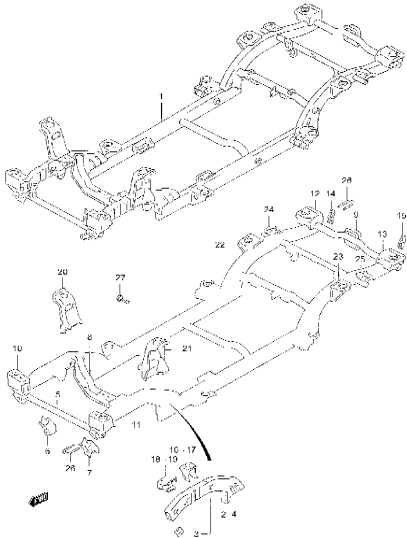
**FIG.123A** BK MASTER CYLINDER



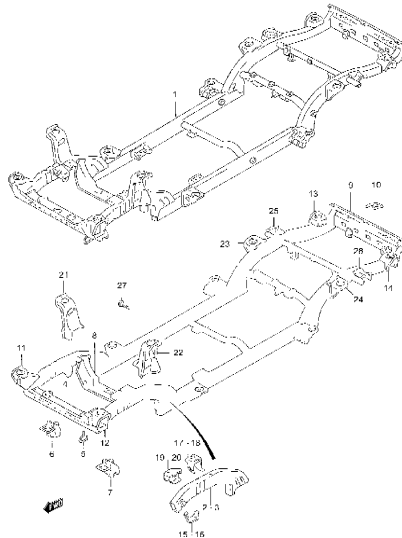
**FIG.129A** BRAKE PIPING



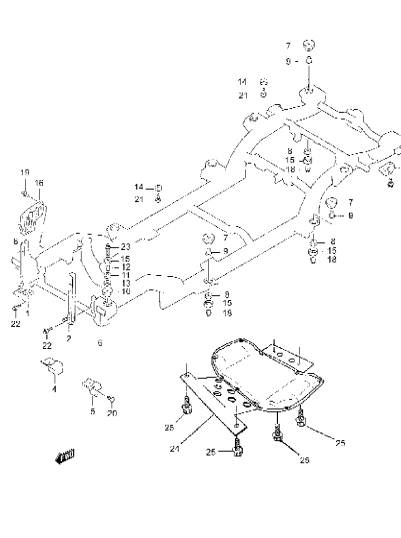
**FIG. 137A** CHASIS FRAME (3DR)



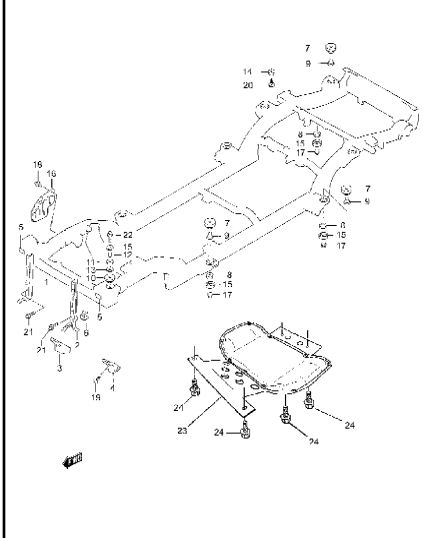
**FIG. 138A** CHASIS FRAME (5DR)



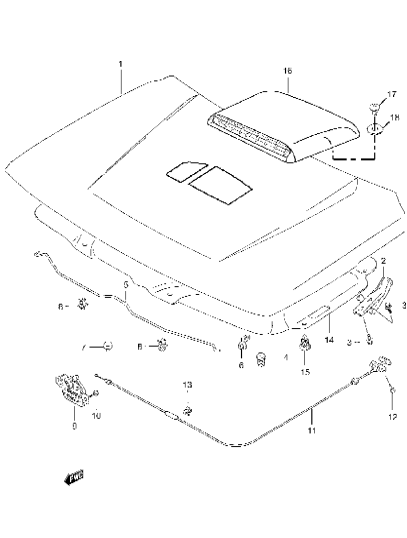
**FIG. 139A** BODY MOUNTING (3DR)



**FIG. 140A** BODY MOUNTING (5DR)

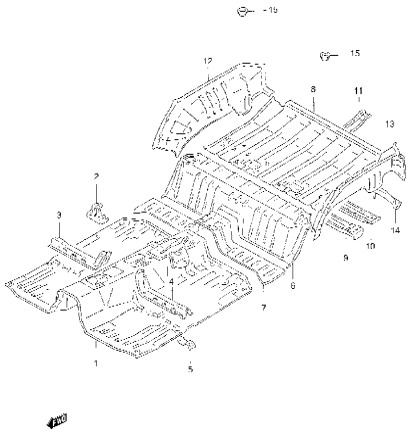


**FIG. 141A** ENGINE FRONT HOOD

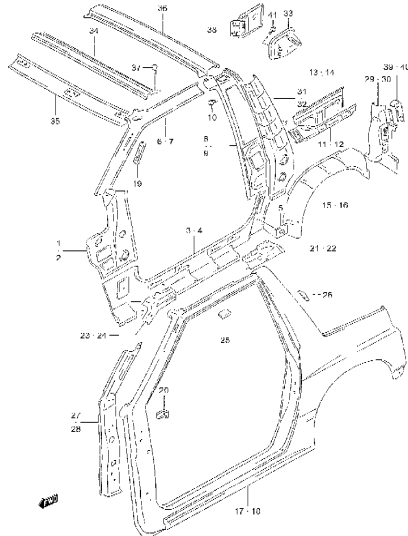


1

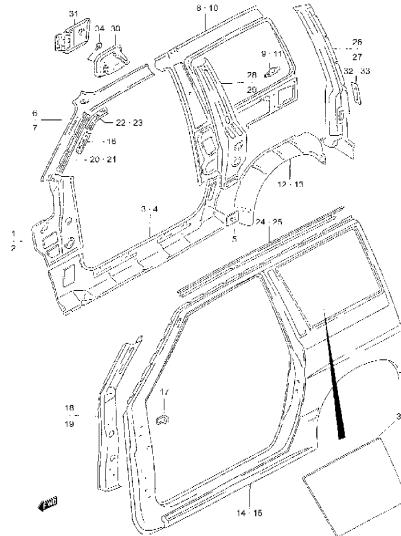
**FIG. 146A**FLOOR PANEL (5DR)



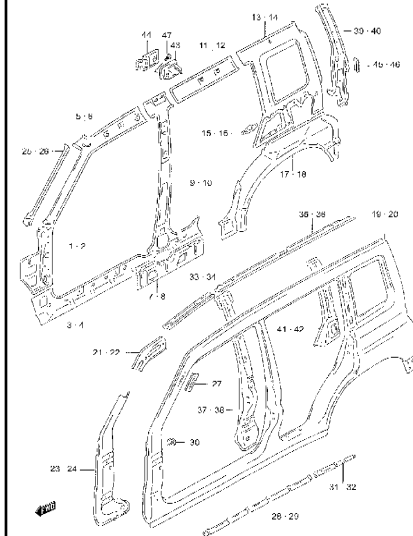
**FIG. 147A**SIDE BODY (C)



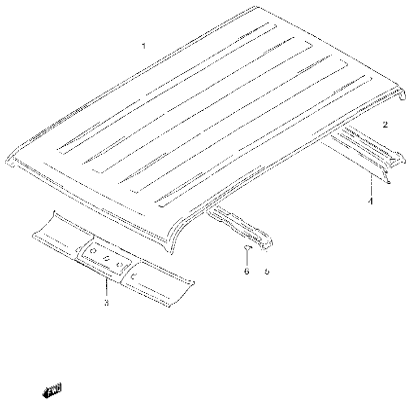
**FIG. 148A**SIDE BODY (V, 3DR)



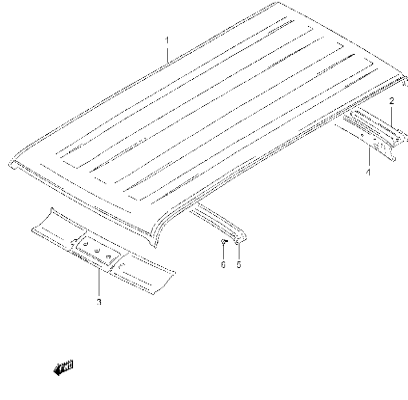
**FIG. 149A**SIDE BODY (V, 3DR)



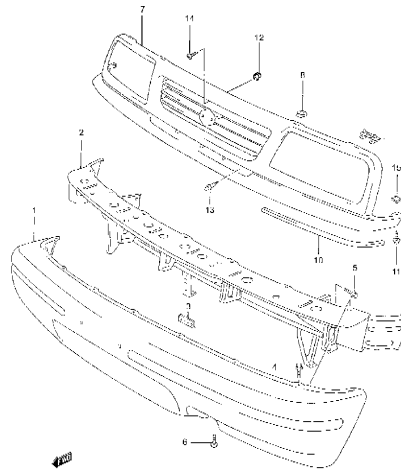
**FIG. 150A**ROOF PANEL (V, 3DR)



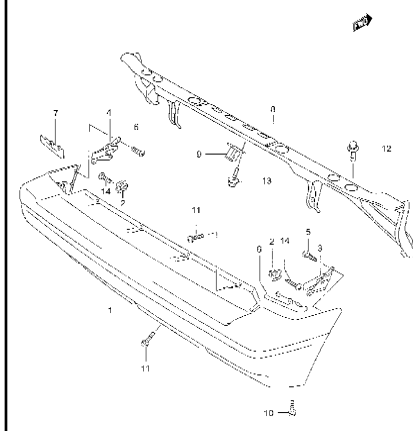
**FIG. 151A**ROOF PANEL (V, 5DR)



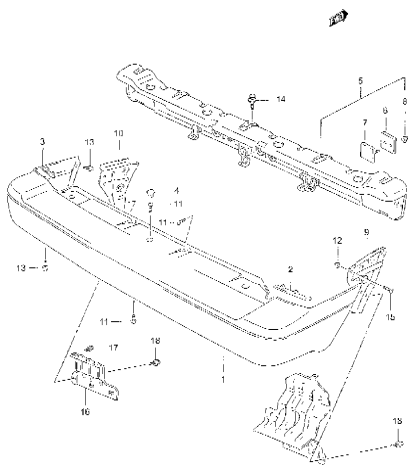
**FIG. 153A**FRONT BUMPER AND GRILLE



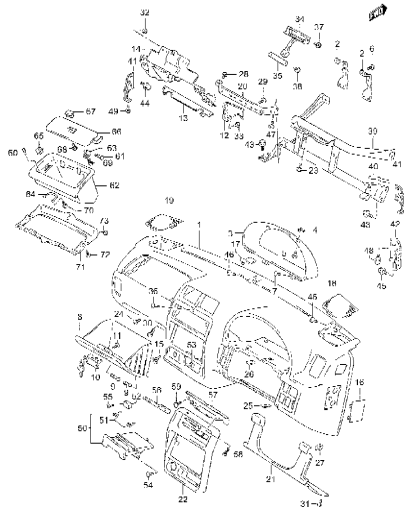
**FIG. 155A**REAR BUMPER (3DR)



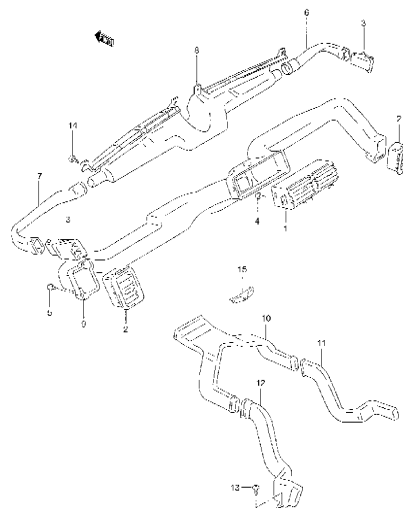
**FIG. 156A** REAR BUMPER (5DR)



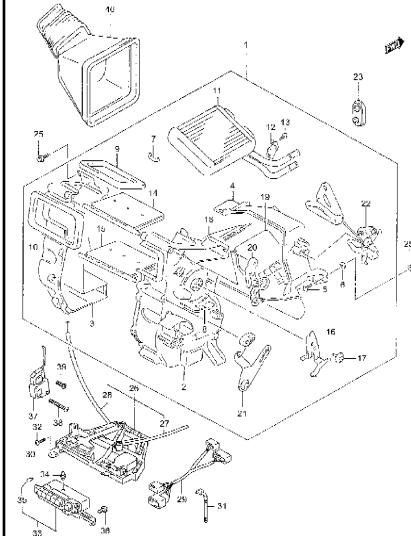
**FIG. 159A** INSTRUMENT PANEL



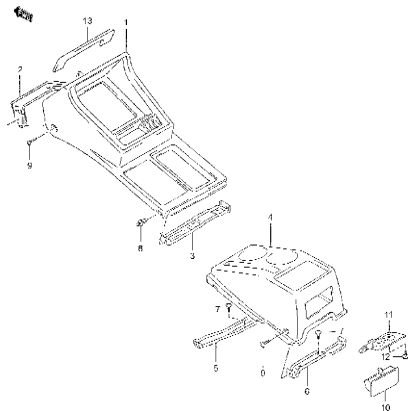
**FIG. 161A** VENTILATOR



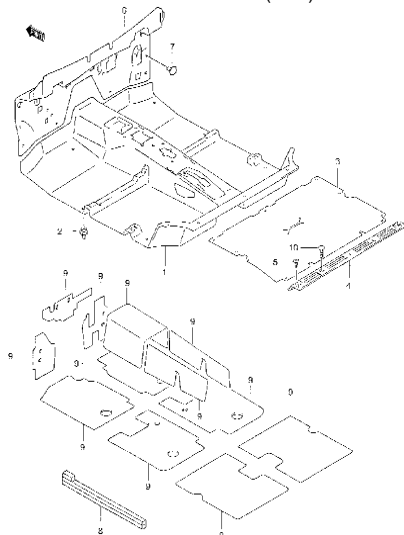
**FIG. 163B** HEATER



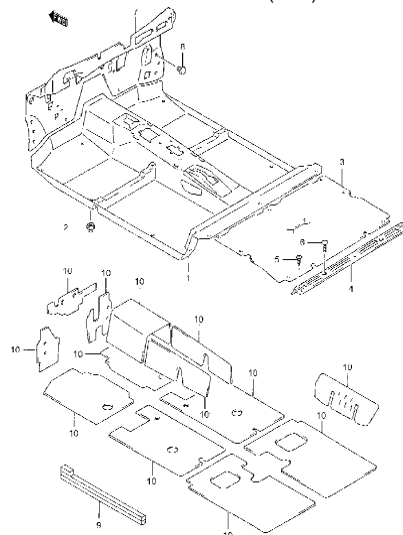
**FIG. 166A** CONSOLE BOX



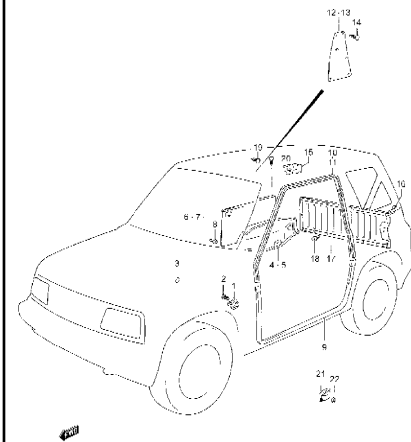
**FIG. 167A** FLOOR CARPET (3DR)



**FIG. 168A** FLOOR CARPET (5DR)

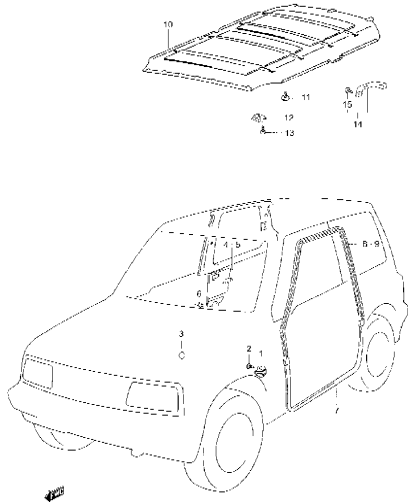


**FIG. 169A** INTERIOR TRIM (C, 3DR)

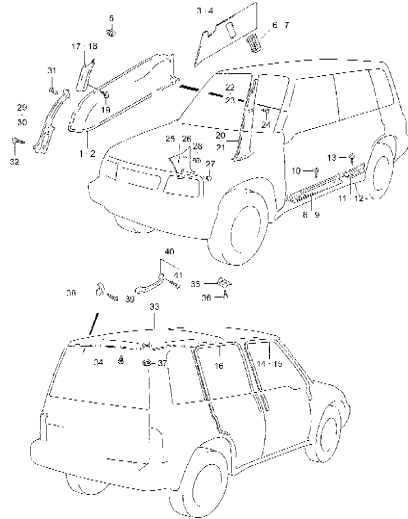




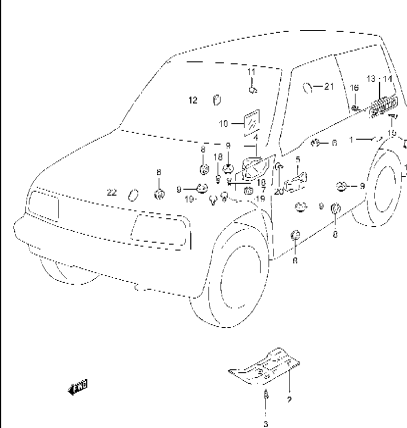
**FIG. 170A** INTERIOR TRIM (V, 3DR)



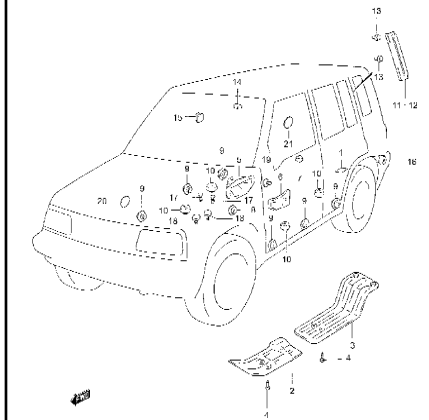
**FIG. 171A** INTERIOR TRIM (V, 5DR)



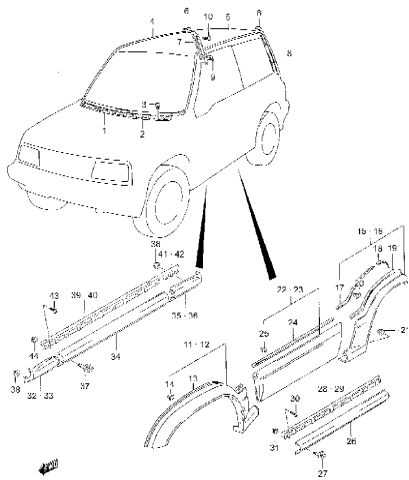
**FIG. 172A** CAP/COVER (3DR)



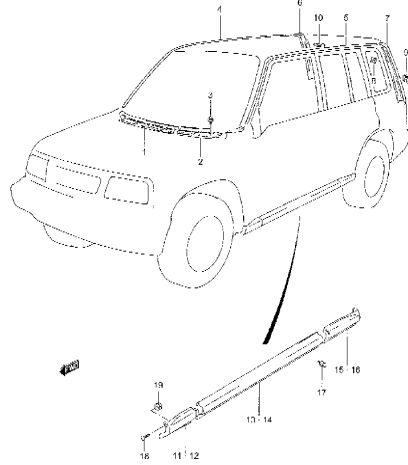
**FIG. 173A** CAP/COVER (5DR)



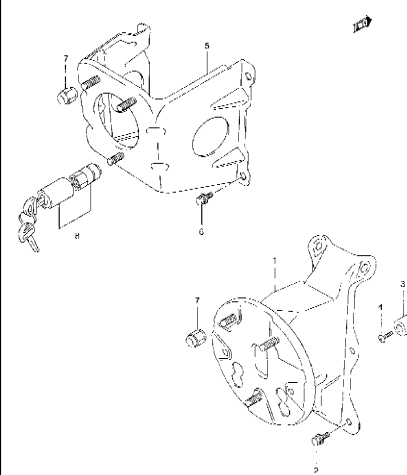
**FIG. 179A** GARNISH/SPLASH GUARD



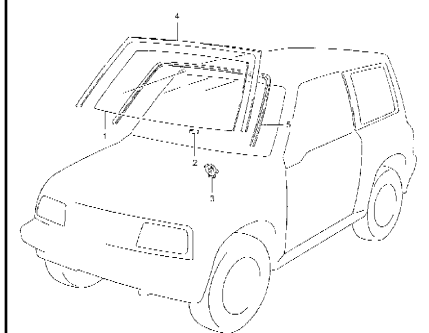
**FIG. 180A** GARNISH/MOLDING (5DR)



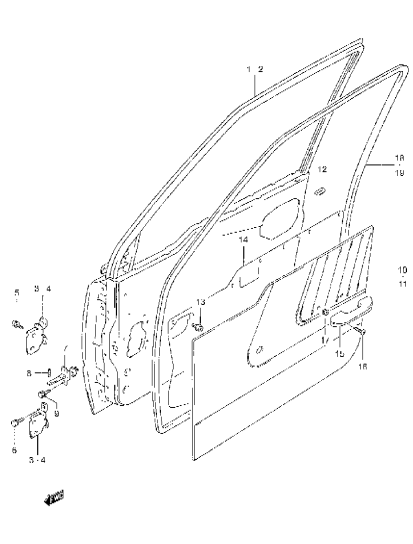
**FIG. 182A** TIRE CARRIER



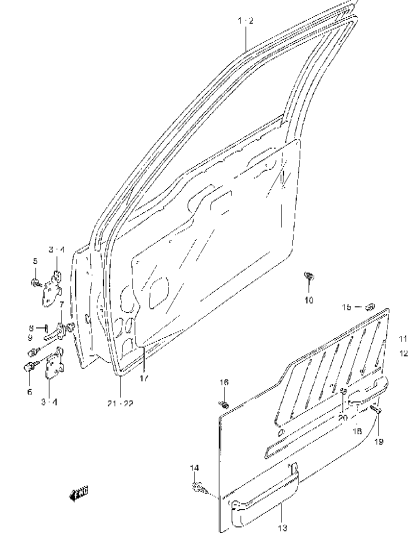
**FIG. 184A** WINDOW GLASS (3DR)



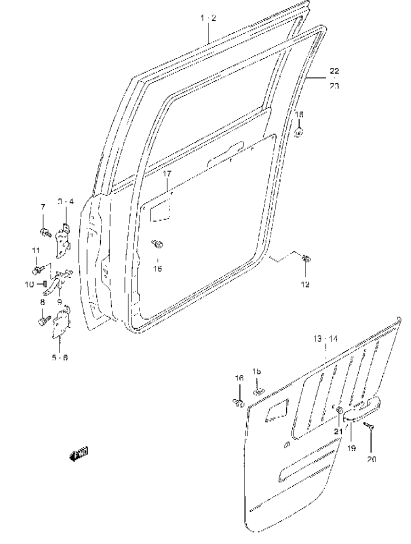
**FIG.189A** FRONT DOOR PANEL (3DR)



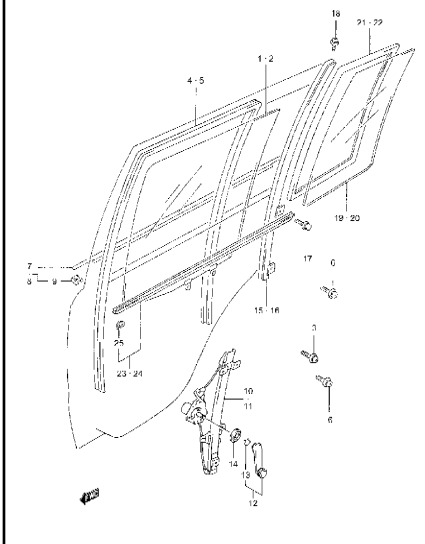
**FIG.192A** FRONT DOOR PANEL (5DR)



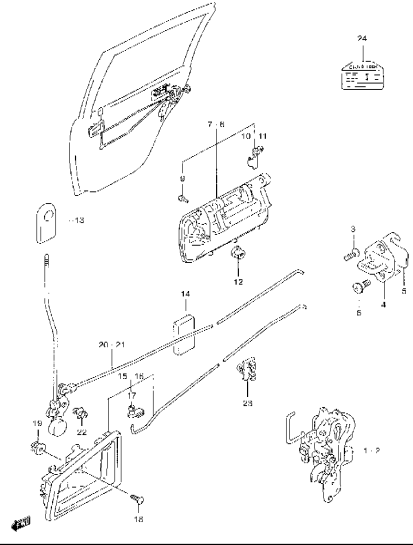
**FIG.195A** REAR DOOR PANEL (5DR)



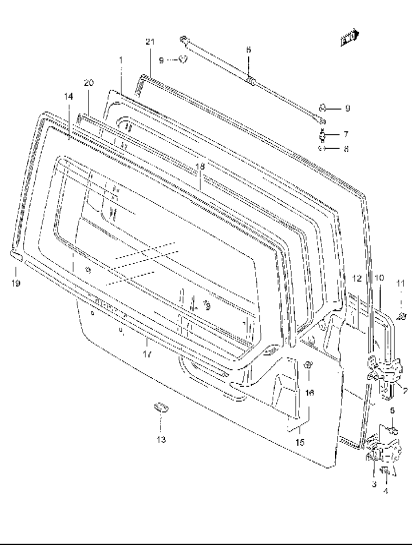
**FIG.196A** REAR DOOR REGULATOR (5DR)



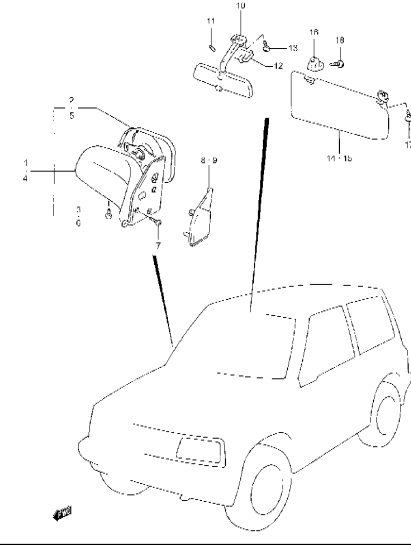
**FIG.197A** REAR DOOR LOCK (5DR)



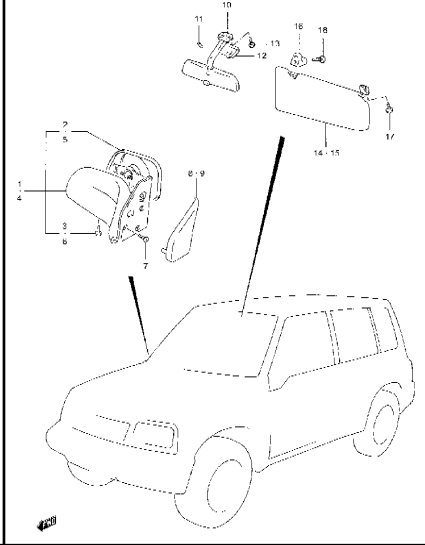
**FIG.199A** BACK DOOR PANEL (V)



**FIG.201A** MIRROR/SUNVISOR (3DR)



**FIG.202A** MIRROR/SUNVISOR (5DR)



1

FIG.205A FUEL TANK (3DR)

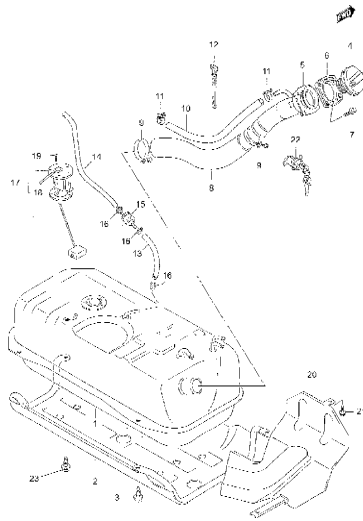


FIG.206A FUEL TANK (5DR)

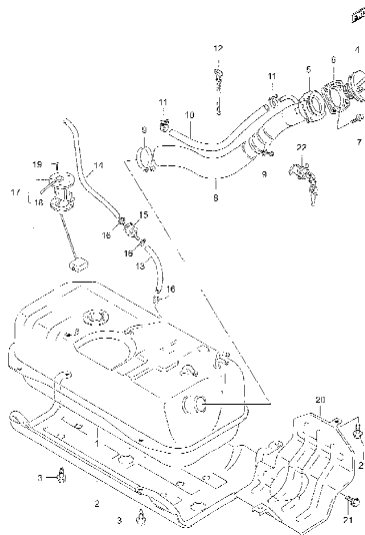


FIG.207A FRONT SEAT (3DR)

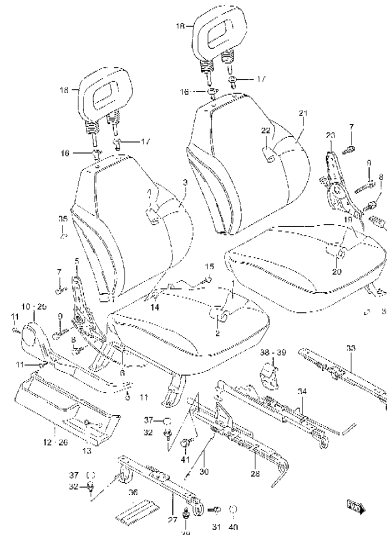


FIG.208A FRONT SEAT (5DR)

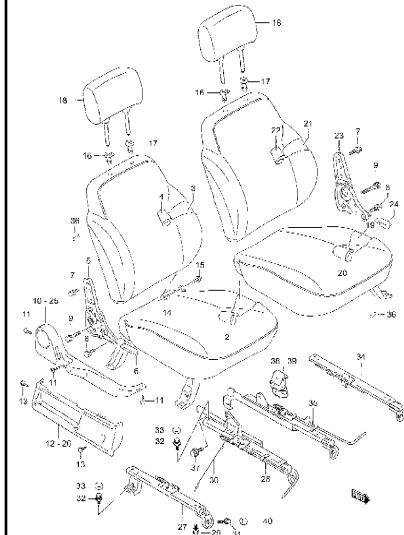


FIG.209A REAR SEAT (3DR)

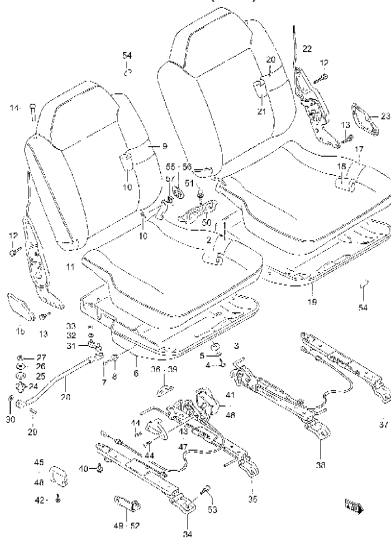


FIG.210A REAR SEAT (5DR)

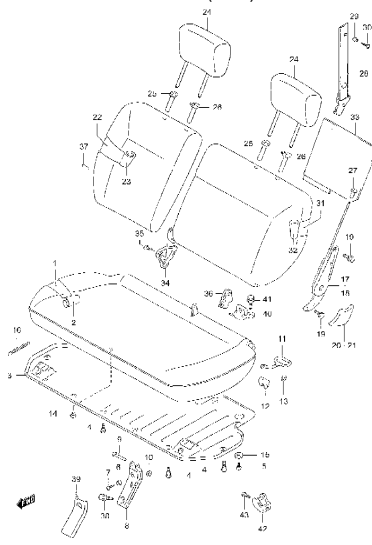


FIG.212A SEAT BELT (3DR)

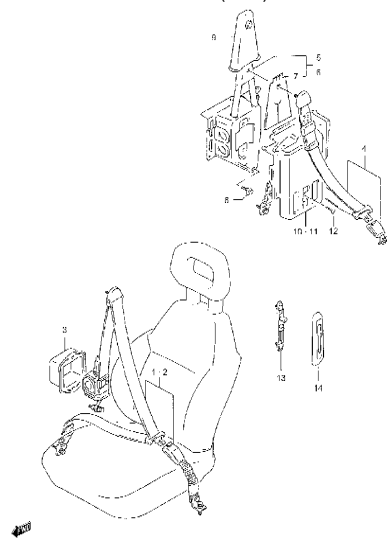


FIG.213A SEAT BELT (5DR)

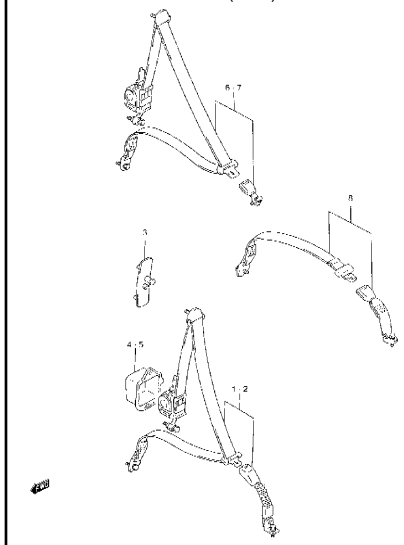






FIG.18A

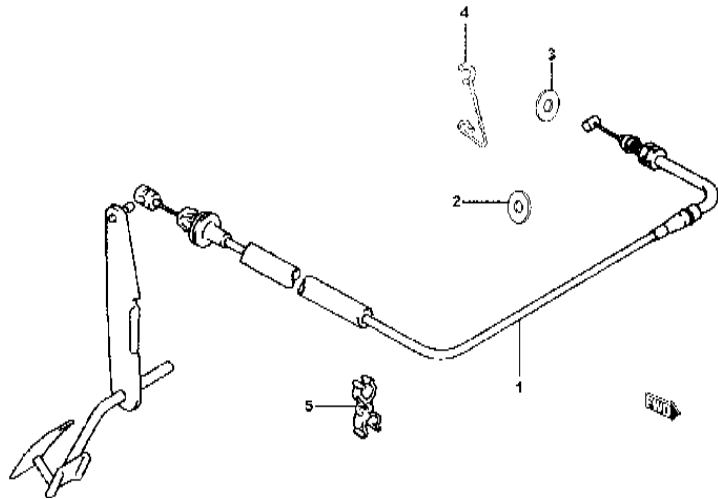


FIG.18A ACCEL CABLE

REF NO.	PART NO.	DESCRIPTION	Q'TY		REMARKS
			C	V	
1	15910-86CC0	CABLE ASSY	1	1	
2	15926-86CA0	GROMMET	1	1	
3	15927-86CA0	WASHER, STOPPER	1	1	
4	15928-86CA0	SPRING	1	1	
5	23916-85C00	CLAMP	1	1	

2

SE419TD (RHD)

FIG. 36A

2

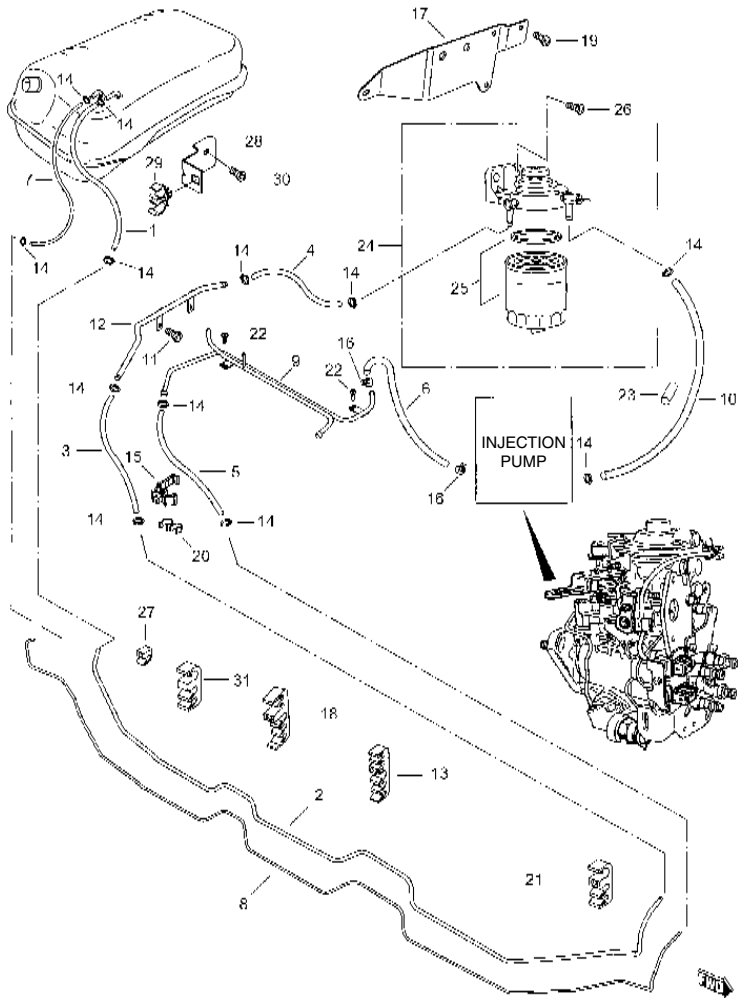


FIG.36A FUEL PUMP

REF NO.	PART NO.	DESCRIPTION	Q'TY		REMARKS
			C	V	
1 -1	15816-86CB0	HOSE, FUEL TANK TO PIPE	-	1	5DR
1 -2	15816-86CA0	HOSE, FUEL TANK TO PIPE	1	1	3DR
2 -1	15811-86CB0	PIPE, FUEL TANK OULET	-	1	5DR
2 -2	15811-86CA0	PIPE, FUEL TANK OULET	1	1	3DR
3	15823-86CC0	HOSE, PIPE TANK TO PIPE COMP	1	1	
4	15823-86CD0	HOSE, PIPE COMP. TO INLET FILL	1	1	
5	15864-86CJ0	HOSE	1	1	
6	15864-86CF0	HOSE RETURN	1	1	
7	15864-86CA0	HOSE RETURN, FUEL TANK TO PIPE	1	1	
8 -1	15861-86CB0	PIPE, FUEL RETURN TANK	-	1	5DR
8 -2	15861-86CA0	PIPE, FUEL RETURN TANK	1	1	3DR
9	15861-86CC2	PIPE, FUEL RETURN AND BRK VCM	1	1	
10	15864-86CE0	HOSE, FUEL FILTER TO ENGINE	1	1	
11	01550-06123	BOLT	2	2	
12	15861-86CD0	PIPE, FUEL FEED INLET	1	1	
13	15895-86CA0	CLAMP	4	4	
14	15899-85C00	CLAMP	12	12	
15	09403-14309	CLIP, HOSE TO BRACKET	1	1	
16	46583-85C00	CLAMP	2	2	
17	15420-86CA0	BRACKET FILTER	1	1	
18	15895-86CB0	CLAMP	-	1	5DR
19	01550-06123	BOLT	2	2	
20	09408A00121	CLIP	2	2	
21 -1	15893-86CA0	CLIP	-	3	5DR
21 -2	15893-86CA0	CLIP	5	5	3DR
22	09139-05028	SCREW	2	2	
23	15870-86CH0	PROTECTOR, FILTER OUTLET	1	1	
24	15410-86CC0	FILTER FUEL ASSY	1	1	
25	15412-86CC0	.ELEMENT FILTER	1	1	
26	01550-10253	BOLT	2	2	
27	15891-60A11	CLAMP, FUEL PIPE	-	2	5DR
28	15421-86CA0	BRACKET, CLIP OUTLET HOSE	-	1	5DR
29	18119-85C30	CLIP, FUEL TANK OUTLET HOSE	-	1	5DR
30	01550-06103	BOLT, BRACKET	-	1	5DR
31	15893-56B00	CLAMP, FUEL PIPE	1	1	

SE419TD (RHD)



FIG. 40A

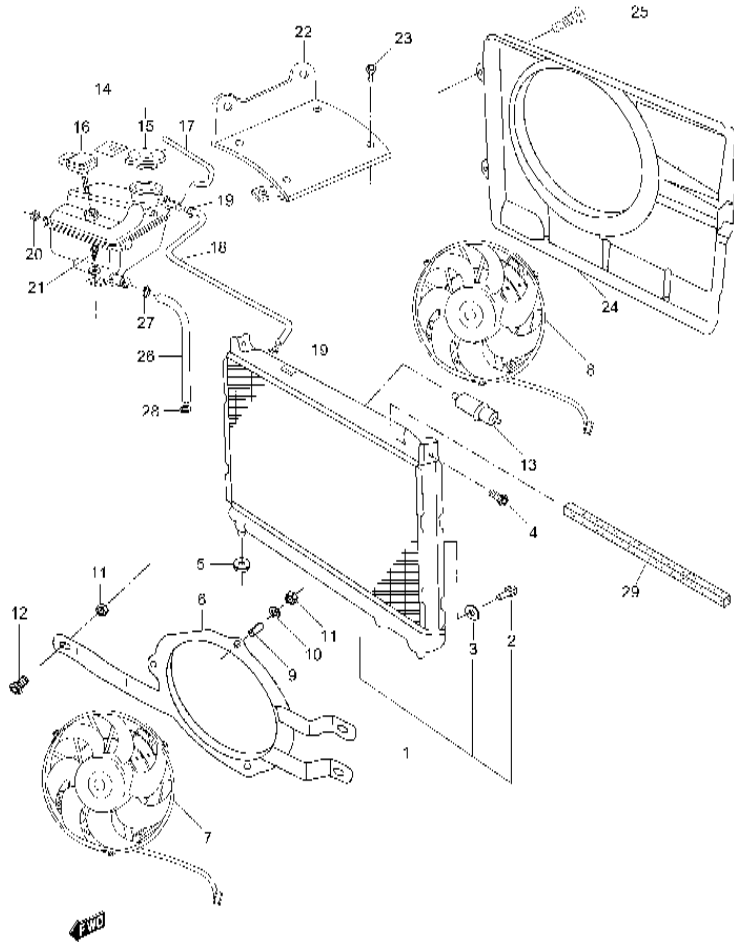


FIG.40A RADIATOR

REF NO.	PART NO.	DESCRIPTION	Q'TY		REMARKS
			C	V	
1	17700-86CC1	RADIATOR ASSY	1	1	
2	00000A00715	.PLUG, DRAIN	1	1	
3	00000A00015	.O RING, DRAIN PLUG	1	1	
4	01550-06203	STUD BOLT	2	2	
5	17812-82000	BUSH, RADIATOR SUPPORT	2	2	
6	17119-86CA0	BRACKET, FAN	1	1	
7	11710-86CB0	FAN ASSY, FR	1	1	
8	17110-86CA0	FAN ASSY, RR	1	1	
9	09169-06065	SPACER	3	3	
10	09320-86CA0	GROMMET	3	3	
11	08316-10063	NUT	6	6	
12	01550-06163	BOLT	3	3	
13	35331-86CB0	TERMO-CONTACT 95°C	1	1	
14	17930-86CB1	DEGASING BOX	1	1	
15	17932-86CA1	.PRESSURE PLUG	1	1	
16	33999-86CA0	SENSOR, WATER LEVEL	1	1	
17	09352-70111-610	HOSE, WATER TANK	1	1	
18	17939-86CD0	HOSE, RADIATOR TO RESERVE	1	1	
19	15899-85C00	CLAMP	2	2	
20	09308-10004	GROMMET	2	2	
21	01550-06123	SCREW	1	1	
22	17941-86CA0	BRACKET ASSY, RESERVE TANK	1	1	
23	02142-06103	BOLT	4	4	
24	17700-86CD0	SHROUD, ELEC FAN	1	1	
25	01550-06123	BOLT	4	4	
26	17841-86CF0	HOSE, RESERVE TANK TO ENG.	1	1	
27	08002-86CA0	CLAMP	1	1	
28	08013-86CA0	CLAMP	1	1	
29	95364-86CA0	PROTECTOR, RADIATOR UPPER	1	1	

2

SE419TD (RHD)



FIG.42B

2

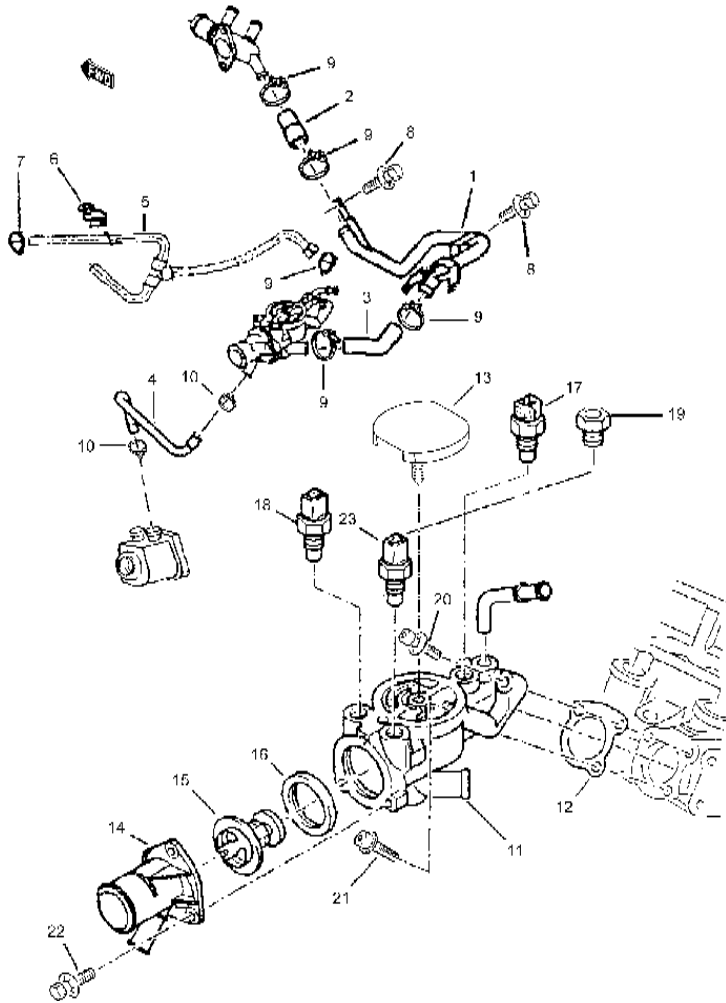


FIG.42B THERMOSTAT

REF NO.	PART NO.	DESCRIPTION	Q'TY		REMARKS
			C	V	
1	17880-86CA0	BYPASS PIPE	1	1	
2	17874-86CA0	BYPASS HOSE	1	1	
3	17859-86CA1	BYPASS HOSE	1	1	
4	17875-86CB0	INLET HOSE	1	1	
5	17873-86CB0	WATER HOSE	1	1	
6	09404-86CA0	STETCHER BRACKET	1	1	
7	09403-86CA2	CLAMP	2	2	15 - 17
8	11119-86CA4	SCREW HRDL	2	2	M8X125 - 20
9	09403-86CC0	CLAMP	4	4	30 - 45
10	09403-86CA1	CLAMP	2	2	16 - 27
11	17569-86CA1	OUTLET BOX	1	1	
12	14181-86CB0	GASKET	1	1	
13	11120-86CA0	CLOSING PLATE	1	1	
14	17561-86CA1	OUTLET STUB	1	1	
15	17570-86CA0	THERMOSTAT	1	1	83°C
16	11228-86CB0	GASKET	1	1	
17	34850-86CB0	TEMP. SWITCH	1	1	60°C - GREEN
18	13651-86CB0	TEMP. SENDING UNIT	1	1	118°C - BLUE
19	11226-86CA4	PLUG	1	1	14X125
20	M9103-86CA3	CHC SCREW	2	2	M7X100 - 35
21	M9103-86CA2	SCREW	1	1	M7X100 - 80
22	11119-86CB1	SCREW	3	3	M6X100 - 20
23	95573-86CA0	TEMP. SWITCH	1	1	W/ AIR COND

SE419TD (RHD)

FIG.43A

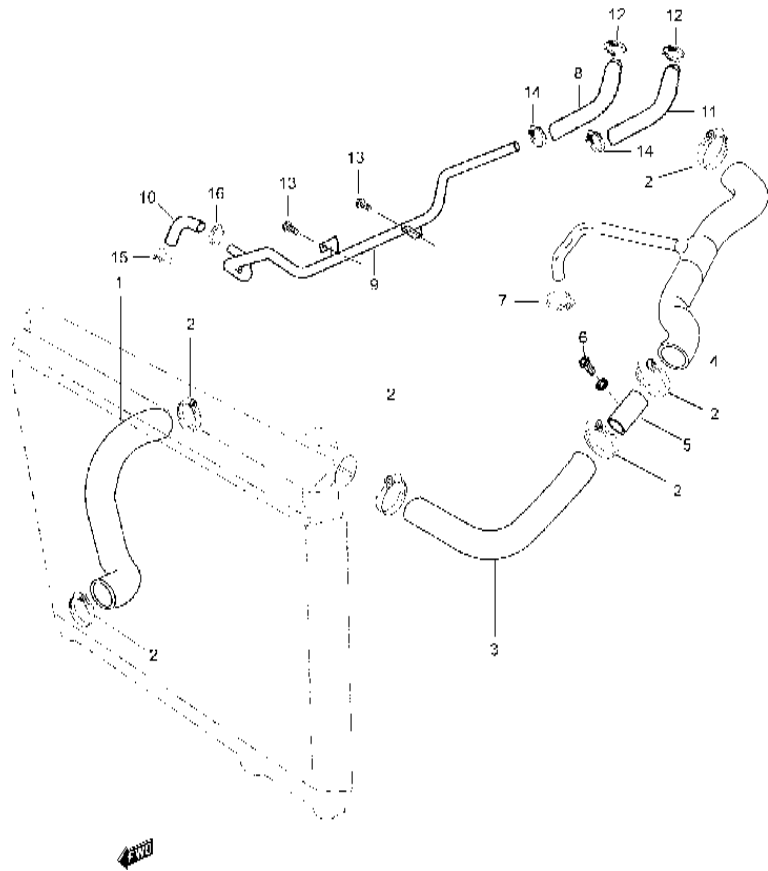


FIG.43A WATER HOSE

REF NO.	PART NO.	DESCRIPTION	Q'TY		REMARKS
			C	V	
1	17851-86CC0	HOSE RADIATOR OUTLET	1	1	
2	09402-46511	CLAMP RADIATOR HOSE	6	6	
3	17841-86CE0	HOSE RADIATOR INLET NO.1	1	1	
4	17842-86CA0	HOSE RADIATOR INLET NO.2	1	1	
5	17841-86CD0	PIPE RADIATOR INLET	1	1	
6	01550-06123	BOLT	1	1	
7	08002-86CA0	CLAMP	1	1	
8	17872-86CA0	HOSE HEATER OUTLET NO.1	1	1	
9	17844-86CB0	PIPE HEATER OUTLET	1	1	
10	17872-86CB2	HOSE HEATER OUTLET NO.2	1	1	
11	17871-86CA0	HOSE HEATER INLET	1	1	
12	09401-18403	CLIP	2	2	
13	11119-86CA4	BOLT	2	2	
14	08002-86CA0	CLAMP	2	2	
15	08013-86CA0	CLAMP	1	1	
16	08002-86CA0	CLAMP	1	1	

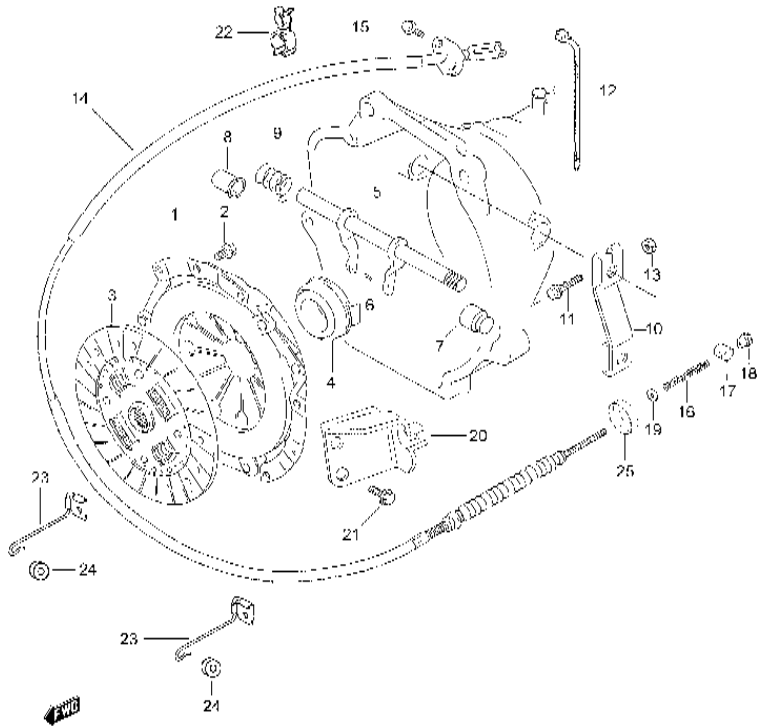
2

SE419TD (RHD)

FIG. 48A

FIG.48A CLUTCH

REF NO.	PART NO.	DESCRIPTION	Q'TY		REMARKS
			C	V	
1	22100-86CB0	COVER ASSY, CLUTCH	1	1	
2	01550-86CC0	BOLT	6	6	
3	22400-86CB0	DISK, CLUTCH	1	1	
4	23265-84C00	BEARING, CLUTCH RELEASE	1	1	
5	23260-86CA0	SHAFT, CLUTCH RELEASE	1	1	
6	09205-03019	PIN	1	1	
7	23264-60A00	BUSH	1	1	
8	23264-60A20	BUSH	1	1	
9	23269-60A00	SPRING	1	1	
10	23266-85C00	ARM, CLUTCH RELEASE	1	1	
11	01550-08403	BOLT	1	1	
12	36990-85C01	CLAMP	2	2	
13	08310-12083	NUT	1	1	
14	23710-86CA0	CABLE ASSY, CLUTCH	1	1	
15	01550-06163	BOLT	2	2	
16	09440-08026	SPRING	1	1	
17	09209-13018	PIN	1	1	
18	23921-86CA0	NUT	1	1	
19	08322-01063	WASHER	1	1	
20	23910-56B10	BRACKET, CLUTCH CABLE	1	1	
21	01550-10163	BOLT	2	2	
22	15427-86CB0	CLIP	1	1	
23	23915-60A00	CLAMP, CLUTCH CABLE	2	2	
24	02047-84C50	GROMMET CLAMP	2	2	
25	23912-84CA0	CAP PROTECTOR	1	1	



3

SE419TD (RHD)

FIG.85A

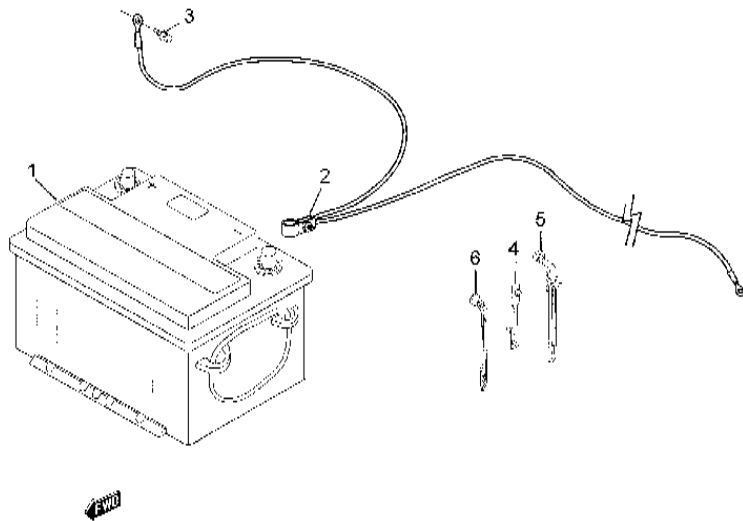


FIG.85A BATTERY

REF NO.	PART NO.	DESCRIPTION	Q'TY		REMARKS
			C	V	
1	33610-86CB0-R	BATTERY ASSY, 70 AH	1	1	
2	33850-86CA0	CABLE COMP. BATTERY GND	1	1	
3	09115-06001	BOLT, EARTH	1	1	
4	00009-00000	CLAMP, ACG WIRE	4	4	L:88
5	09407-12404	CLAMP, CABLE	3	3	L:40
6	36990-85C01	CLAMP, CABLE	4	4	

4

SE419TD (RHD)

FIG. 86A

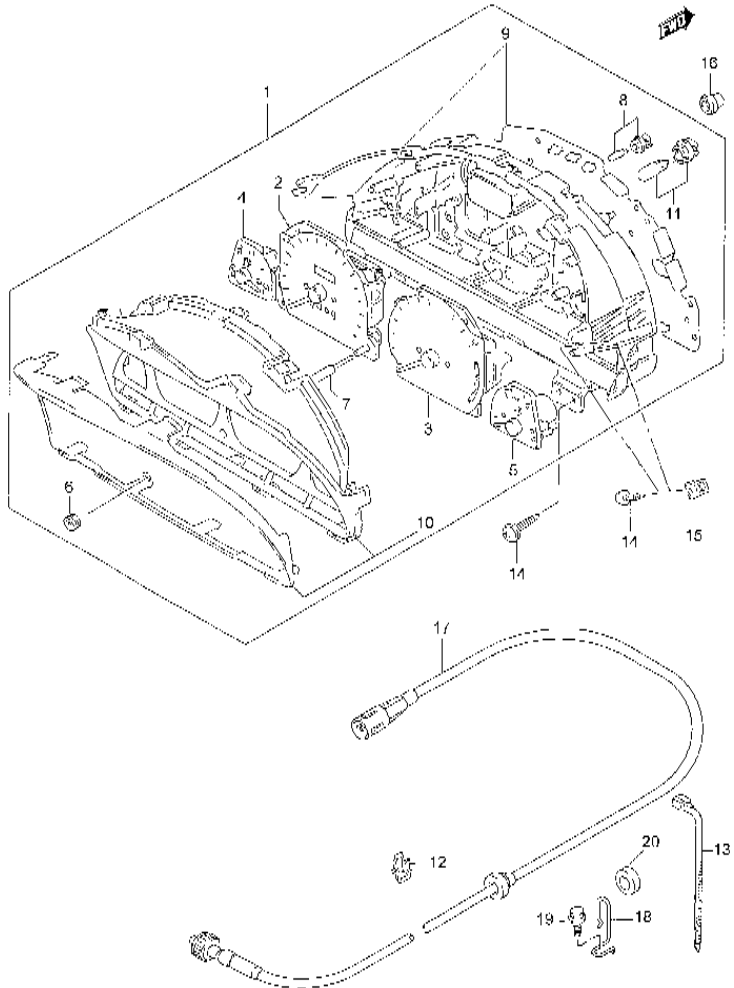


FIG.86A SPEEDOMETER

REF NO.	PART NO.	DESCRIPTION	QTY		REMARKS
			C	V	
1-1	34101-86CB0	SPEEDOMETER ASSY (MILE)	1	1	
1-2	34101-86CA0	SPEEDOMETER ASSY (MILE)	-	1	N1
2-1	34120-85C10	.BODY ASSY, SPEEDOMETER	1	1	
2-2	34120-79E10	.BODY ASSY, SPEEDOMETER	-	1	N1
3	34220-86CA0	.BODY ASSY, TACHOMETER	1	1	
4-1	34320-85C00	.BODY ASSY, FUEL METER	1	1	
4-2	34320-67E20	.BODY ASSY, FUEL METER	-	1	N1
5-1	34420-86CA2	.BODY ASSY, TEMP. METER	1	1	
5-2	34420-86CA0	.BODY ASSY, TEMP. METER	-	1	N1
6	34145-60B00	.GROMMET	1	1	
7	34141-60E10	.KNOB, TRIP METER	1	1	
8-1	34152-86CA3	.BOX AND PRINTED PLATE	1	1	
8-2	34152-77E10	.BOX AND PRINTED PLATE	-	1	N1
9-1	34112-85C00	.METER WINDOW	1	1	
9-2	34112-67E20	.METER WINDOW	-	1	N1
10-1	34172-84C30	.SOCKET AND BULB	1	1	1.2W
10-2	34172-50E10	.SOCKET AND BULB	-	1	N1,1.2W
11-1	34175-84C30	.SOCKET AND BULB	1	1	3W
11-2	34175-78900	.SOCKET AND BULB	-	1	N1,3W
12	09403-07306	CLAMP, METER CABLE	1	1	
13	36990-85C00	CLAMP, METER CABLE	1	1	
14	03541-05203	SCREW, METER	4	4	
15	09148A05005	NUT, SPEEDOMETER	2	2	
16	34955-60E00	BUSH, SPEEDOMETER	2	2	
17	34910-62A40	CABLE ASSY, SPEEDOMETER	1	1	
18	34926-60A00	CLAMP, METER CABLE	1	1	
19	01550-06163	BOLT	1	1	
20	02047-84C50	GROMMET	1	1	

SE419TD (RHD)



FIG. 94A

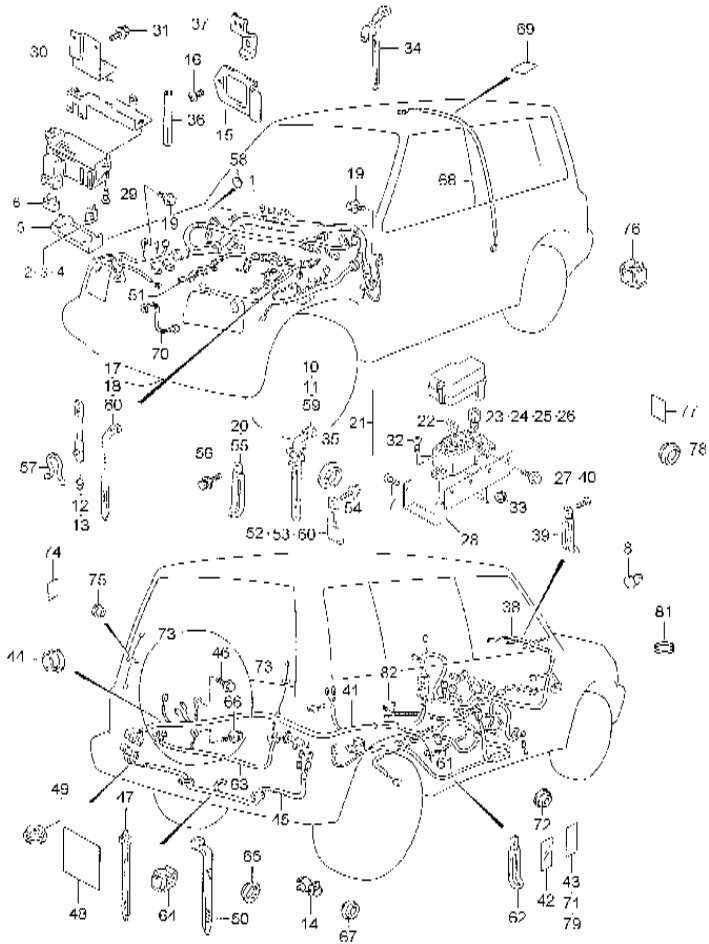


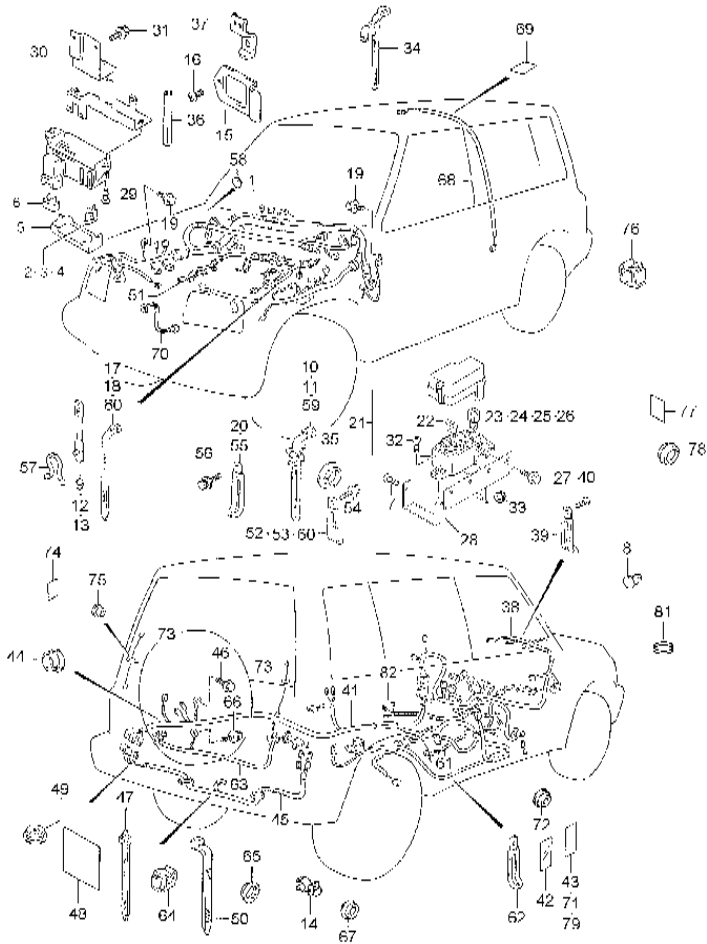
FIG.94A WIRING HARNESS

REF NO.	PART NO.	DESCRIPTION	Q'TY		REMARKS
			C	V	
1	36910-86CE0	HARNES WIRING MAIN	1	1	
2	35156-00000	.FUSE (15A)	8	8	
3	35157-00000	.FUSE (20A)	2	2	
4	09481-25103	.FUSE (25A)	1	1	
5	36717-77E01	.COVER FUSE BOX	1	1	
6	36795-82000	.BREAKER POWER WINDOW	1	1	
7	02142-06123	SCREW MAIN FUSE BRACKET	1	1	
8	09409-07320	CAP, DASH PANEL HOLE	1	1	
9	09407-05403	CLAMP, WASHER HOSE	1	1	
10-1	09407-12404	CLAMP, HARNESS SIDE	12	12	L:140
10-2	09407-12404	CLAMP, HARNESS COWL TOP	8	8	L:140
10-3	09407-12404	CLAMP, DOOR CONTROLER WIRE	1	1	L:140
11	09407-12404	CLAMP, FAN SWITCH WIRE	1	1	
12	09407-05403	CLAMP, HORN WIRE	1	1	
13	09407-05403	CLAMP, AIR CLEANER WIRE	1	1	
14	09407-17401	CLAMP, HARNESS PEDAL HUNGER	1	1	
15	36614-70E10	BRACKET, MAIN HARNESS	1	1	
16	02142-06103	BOLT, BRACKET	2	2	
17	36990-85C01	CLAMP, HARNESS & CABLE	1	1	
18	36990-85C01	CLAMP, IGNITION SWITCH WIRE	1	1	
19	09115-06001	BOLT, HARNESS GROUND	4	4	
20	09404A08405	CLAMP, HARNESS	1	1	L:137
21	36740-77E10	BOX ASSY, MAIN FUSE	1	1	
22	09481-15101	FUSE (15A)	3	3	
23	09481-30203	FUSE (30A)	1	1	
24	09481-50203	FUSE (50A)	1	1	
25	09481-60202	FUSE (60A)	1	1	
26	09481-80301	FUSE (80A)	1	1	
27	09138-06040	BOLT, SLOW BLOW FUSE	2	2	
28	36737-86CB0	BRACKET, MAIN FUSE	1	1	
29	02112-05123	SCREW, FUSE BOX	2	2	
30	36735-77E13	BRACKET, FUSE BOX	1	1	
31	01550-06103	BOLT, FUSE BOX BRACKET	2	2	



SE419TD (RHD)

FIG. 94A



4

FIG.94A WIRING HARNESS

REF NO.	PART NO.	DESCRIPTION	Q'TY		REMARKS
			C	V	
32	02142-06123	SCREW, MAIN FUSE BOX	2	2	
33	08316-10063	NUT, MAIN FUSE BOX BRACKET	2	2	
34	36990-56B00	CLAMP,HARNESS DASH PANEL	5	5	
35	09308-25002	PROTECTOR, SIDE LAMP WIRE	2	2	
36	75957-77E00	PROTECTOR, FUSE BOX BRACKET	1	1	
37	36996-70E00	PROTECTOR, MAIN HARNESS	1	1	
38	36620-86CH0	HARNESS ASSY, WIRING INSP.	1	1	
39	09404-06427	CLAMP, HARNESS	9	9	L:95
40	03541-05123	SCREW, CLAMP	15	15	L:12
41-1	36630-71E70	HARNESS ASSY, WRG FLOOR	1	1	3DR
41-2	36630-85FA0	HARNESS ASSY, WRG FLOOR	-	1	5DR
42	76561-60A00	COVER, FLOOR HARNESS	-	4	5DR
43-1	36930-85C00	COVER, FLOOR HARNESS	3	3	3DR
43-2	36930-85C00	COVER, FLOOR HARNESS	-	6	5DR
44-1	09308-42001	PROTECTOR, FLOOR HARNESS	1	1	3DR
44-2	09308-42001	PROTECTOR, FLOOR HARNESS	-	2	5DR
45	36640-77E20	HARNESS, WRG REAR LAMP	1	1	
46	09129-06002	SCREW, HARNESS GROUND	1	1	
47-1	09407-11402	CLAMP, HARNESS	3	3	3DR
47-2	09407-11402	CLAMP, HARNESS	-	2	5DR
48	36930-85C10	COVER, HARNESS	1	1	
49	09250-30002	CAP, ABS WIRE HOLE	1	1	
50	36990-85C01	CLAMP, REAR LAMP HARNESS	2	2	
51	36650-86CG0	HARNESS ASSY, WRG ENGINE	1	1	
52-1	36990-85C20	CLAMP, ENGINE HARNESS	1	1	L:80
52-2	36990-85C20	CLAMP, OIL PUMP WIRE	1	1	L:80
53	36990-85C20	CLAMP, INJECTOR HARNESS	1	1	L:95
54	01550-06123	BOLT, CLAMP	1	1	
55	36990-85C30	CLAMP, HARNESS	2	2	
56	01550-06123	BOLT, HARNESS GROUND	2	2	
57	09408-00024	CLAMP, STARTER WIRE	1	1	
58	09409-07320	CAP, DASH PANEL HOLE	2	2	
59	09407-12404	CLAMP, ENGINE HARNESS	1	1	

SE419TD (RHD)

FIG. 94A

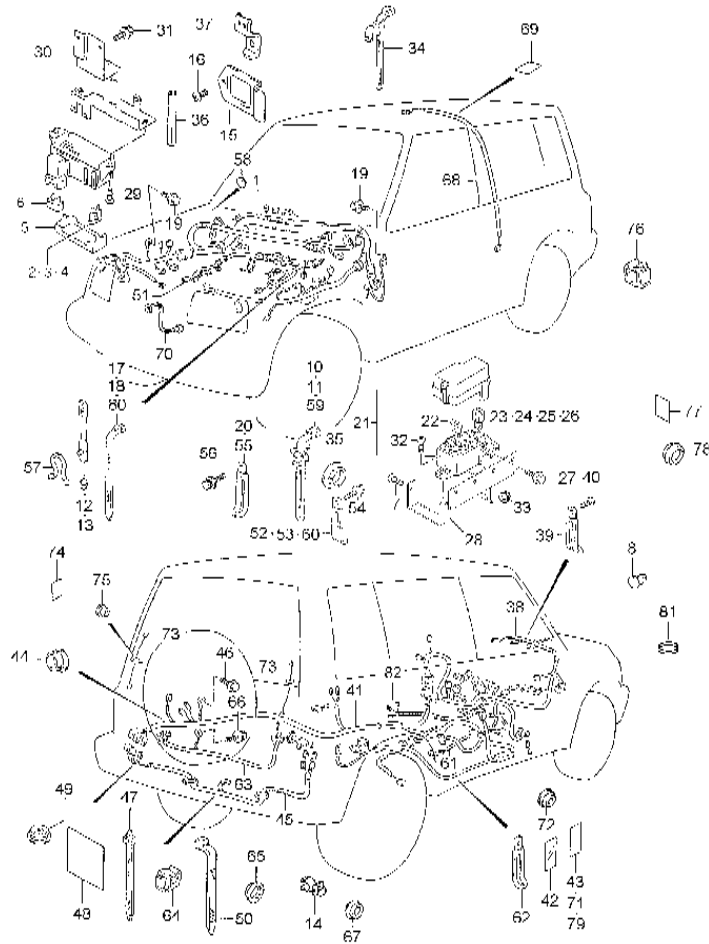


FIG.94A WIRING HARNESS

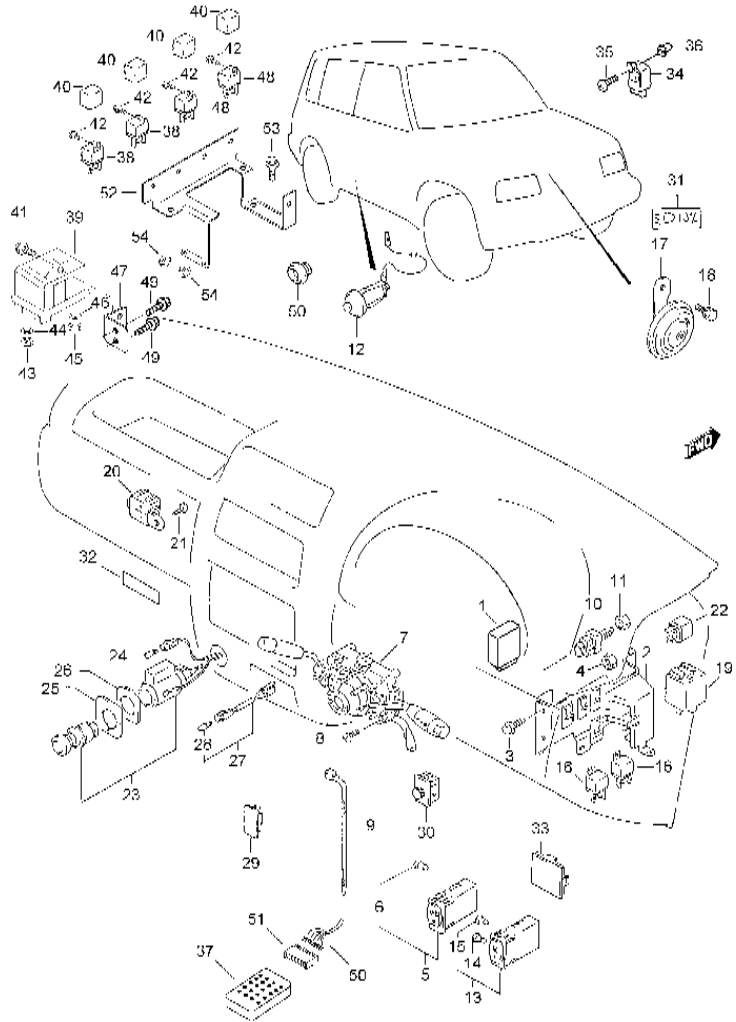
REF NO.	PART NO.	DESCRIPTION	Q'TY		REMARKS
			C	V	
60	36990-85C20	CLAMP, WIRE	1	1	
61	36660-61A00	HARNESS, WRG MISSION	1	1	
62	36990-85C30	CLAMP, HARNESS	4	4	
63	36845-85C21	WIRE, BACK DOOR	1	1	3DR (M1) Y 5DR
64	36667-60A00	CLAMP, BACK DOOR WIRE	5	5	3DR (M1) Y 5DR
65	09308-28001	PROTECTOR, BACK DOOR WIRE	2	2	3DR (M1) Y 5DR
66	09139-05028	SCREW, WIRE GROUND	1	1	3DR (M1) Y 5DR
67	09250-25007	CAP, WIRE HOLE	2	-	
68-1	36820B60A30	WIRE, ROOM LAMP	1	1	3DR
68-2	36820-56B00	WIRE, ROOM LAMP	-	1	5DR
69	36930-85C00	COVER, ROOM LAMP WIRE	-	3	5DR
70	39312-60A01	WIRE, HORN GROUND	1	1	
71	36930-85C00	COVER, SWITCH WIRE	5	5	3DR
72	36995-60A10	GROMMET, SIDE SILL	2	2	3DR
73	36890-82000	WIRE, REAR DEFOGGER	-	2	W/DEFOGGER
74	36930-85C00	COVER, DEFOGGER WIRE	-	1	W/DEFOGGER
75	09308-03005	GROMMET, DEFOGGER WIRE	-	2	W/DEFOGGER
76	36667-60A00	CLAMP, RR DOOR	2	2	
77	36757-82100	FILM, WIRE HOLE DOOR	2	2	
78	09250-25008	CAP, WIRE HOLE BODY	2	2	
79	36930-85C00	COVER, SHIFT ILLUM WIRE	1	1	
80	36990-85C01	CLAMP, ENGINE HARNESS	4	4	
81	08321A31053	SPRING WASHER, WIRE HEATER	1	1	
82	36283-70E80	WIRE, BELT & PARK SW	1	1	3DR

4

SE419TD (RHD)



FIG. 96A



4

FIG.96A ELECTRICAL CONTROL

REF NO.	PART NO.	DESCRIPTION	QTY		REMARKS
			C	V	
1	33970-86CA0	RELAY INMOVILIZER	1	1	
2	33924-86CB0	BRACKET, RELAY INMO.	1	1	
3	01550-06103	BOLT	5	5	
4	08316-10063	NUT	2	2	
5	37280-60G00	SWITCH ASSY, RR FOG LAMP	1	1	
6	37399-60E10	.BULB (GREEN)	1	1	
7-1	37400-77EG0	SWITCH ASSY, COMBINATION	1	1	3DR
7-2	37400-77EA1	SWITCH ASSY, COMBINATION	-	1	5DR
8	02112-05123	SCREW	3	3	
9	36990-85C01	CLAMP	1	1	L:235
10	37740-60D01	SWITCH, STOP LAMP	1	1	
11	09140-10043	NUT	1	1	
12-1	37670-61A00	SWITCH ASSY, DOOR	-	5	5DR
12-2	37670-61A00	SWITCH ASSY, DOOR	2	2	3DR
13	37860-70F00	SWITCH ASSY, RR DEFOGGER	-	1	W/DEFOGGER
14	09471-12135	.BULB (CLEAR)	-	1	W/DEFOGGER
15	37399-60E10	.BULB (GREEN)	-	1	W/DEFOGGER
16	31850-85C00	RELAY, HEADLAMP & SIDE LAMP	2	2	
17	38500-85C11	HORN ASSY, LOW PITCHED	1	1	
18	01570-08123	BOLT	2	2	
19	38610-85C00	RELAY ASSY, TURN & 4 WAY	1	1	
20	38590-85C00	CONTROLLER, WARNING BUZZER	1	1	
21	03541-05163	SCREW	1	1	
22	31850-85C00	RELAY ASSY, HORN	1	1	
23	39400-85C00	LIGHTER ASSY, CIGARETTE	1	1	
24	00000A00085	.BULB	1	1	
25	39471-60A00	RIM LIGHTER	1	1	
26	39472-82000	WASHER LIGHTER	1	1	
27	36550-85C00	LAMP ASSY, ASHTRAY ILLUM	1	1	
28	09471-12091	.BULB	1	1	
29	37285-60E00	CAP, OPTION SWITCH HOLE	AR	AR	
30	35180-85C00	SWITCH, HEADLAMP LEVELING	1	1	
31	35186-70A01	LABEL, HEADLAMP AIMING	1	1	

SE419TD (RHD)

FIG. 96A

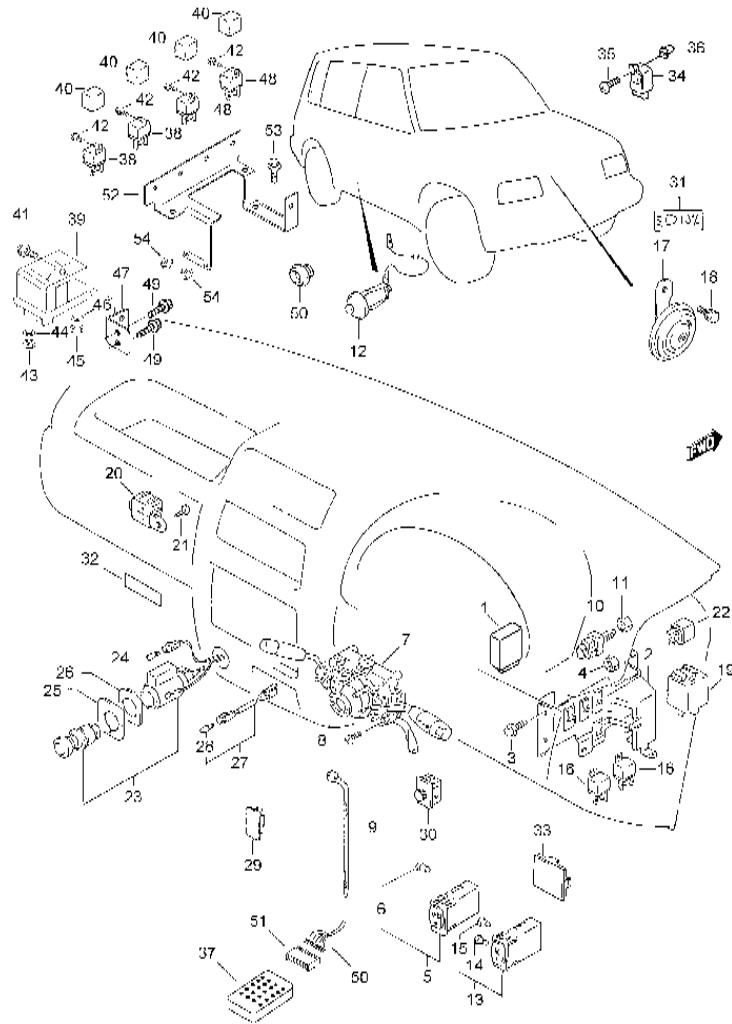


FIG.96A ELECTRICAL CONTROL

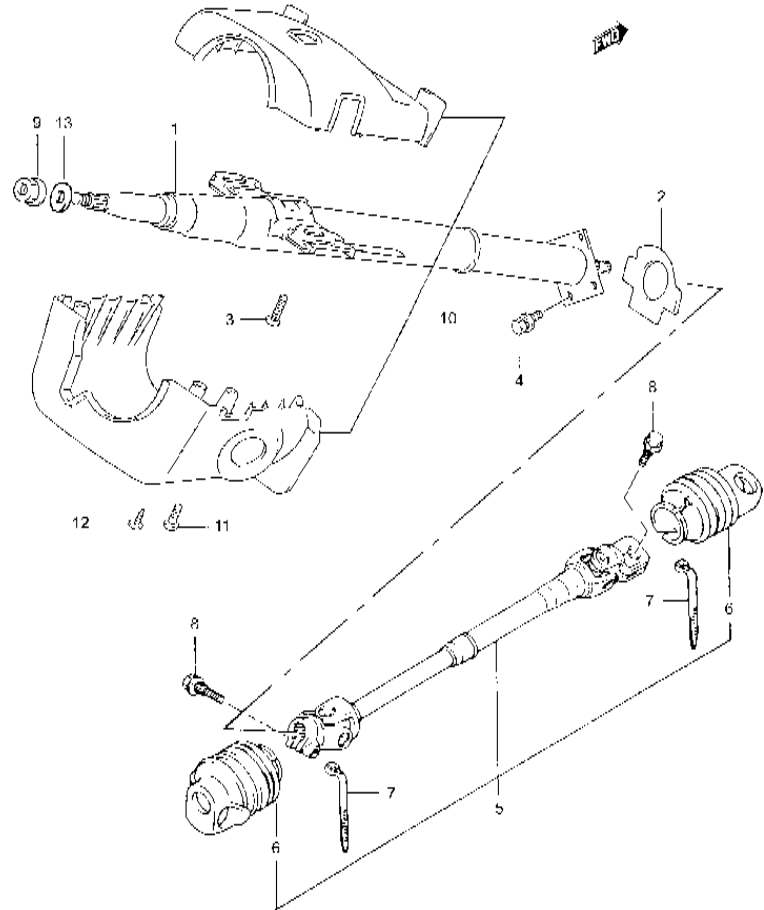
REF NO.	PART NO.	DESCRIPTION	Q'TY		REMARKS
			C	V	
32	36930-85C00	COVER, RR WASHER HOSE	3	3	
33	37955-60E00	CAP, MIRROR SWITCH HOLE	1	1	
34	38650-85C00	RELAY, RR WIPER	-	1	5DR
35	03541-05163	SCREW	-	1	5DR
36	59918-85C00	NUT	-	1	5DR
37	35346-86CA0	KEYBOARD, INMOVILIZER	1	1	
38	31850-86CB0	RELAY ASSY, ELECTRO	2	2	
39	38860-86CB0	RELAY ASSY, PRE/POST	1	1	
40	38861-86CA0	PROTECTOR RELAY	4	4	
41	01550-06123	BOLT, RELAY PRE/POST	1	1	
42	02112-05123	SCREW, RELAY	4	4	
43	08310-00053	NUT, RELAY PRE/POST	1	1	
44	08321-01053	WASHER, RELAY PRE/POST	1	1	
45	08310-00063	NUT, RELAY PRE/POST	1	1	
46	08321-01063	WASHER, RELAY PRE/POST	1	1	
47	35380-86CA0	BRACKET, RELAY PRE/POST	1	1	
48	31850-86CA0	RELAY ASSY, INVERSOR	2	2	
49	01550-08103	BOLT, BRACKET RELAY PRE/POST	2	2	
50	00000A01364	LOCK WIRE CONNECTOR	1	1	
51	00000A01363	IMMOBILIZER CONNECTOR	1	1	
52	36737-86CB0	BRACKET, MAIN FUSE	1	1	
53	02142-06123	BOLT	1	1	
54	08316-10063	NUT	2	2	

4

SE419TD (RHD)



FIG. 114A



5

FIG.114A STEERING COLUMN

REF NO.	PART NO.	DESCRIPTION	QTY		REMARKS
			C	V	
1	48200-85C00	COLUMN ASSY, STEERING	1	1	
2	48491-77E00	SEAL, RUBBER	1	1	
3	09100-08184	SCREW	2	2	
4	01570-08203	BOLT	4	4	
5	48220-86CA0	SHAFT, STEERING LOWER	1	1	
6	48225-56B50	.BOOT, JOINT	2	2	
7	48229-60A00	.STRAP, BOOT	2	2	
8	48239-85C00	BOLT, JOINT	2	2	
9	08310-00123	NUT, STEERING SHAFT	1	1	
10	48400-77E10	COVER SET	1	1	
11	03211-05123	SCREW, COVER	4	4	
12	09136-05030	SCREW, COVER	1	1	
13	08321A31123	PLAIN WASHER	1	1	

SE419TD (RHD)



FIG. 116A

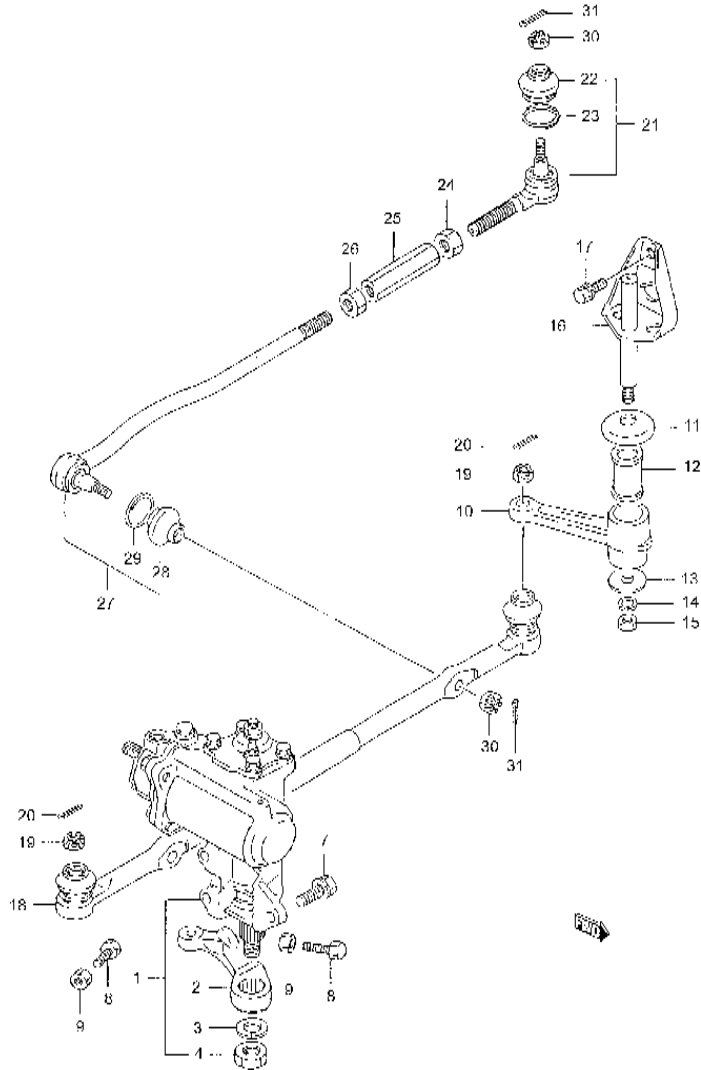


FIG.116A STEERING LINK AND GEAR BOX

REF NO.	PART NO.	DESCRIPTION	QTY		REMARKS
			C	V	
1	48600-85C20	BOX ASSY, STEERING GEAR	1	1	
2	48671-85C20	.ARM PITMAN	1	1	
3	48644-80010	.LOCK WASHER	1	1	
4	48674-63240	.NUT, PITMAN ARM	1	1	
5	48691-60A21	.TUBE, RETURN	1	1	
6	01570-12353	BOLT, STRG GEAR BOX	3	3	
7	48775-60A00	BOLT, STOPPER	2	2	
8	08310-00103	NUT	2	2	
9	48721-60A00	ARM, IDLER	1	1	
10	48771-60A00	WASHER, IDLER ARM UPPER	1	1	
11	48750-60A00	BUSHING, IDLER ARM	1	1	
12	09160-12079	WASHER	1	1	12.2X40X2.6
13	08321A31123	LOCK WASHER	1	1	
14	08310-00123	NUT	1	1	
15	48760-60A01	BRACKET, IDLER ARM	1	1	
16	01500-10203	BOLT	3	3	
17	48850-85C00	LINK ASSY, STEERING CENTER	1	1	
18	08314-40123	NUT	2	2	
19	04111-30208	COTTER, PIN	2	2	
20	48810-85C00	END, STEERING TIE ROD	2	2	
21	48814-85C00	.SEAL SET, DUST	2	2	
22	09401-27402	.CLIP, DUST SEAL	2	2	
23	09140-16022	NUT, TIE ROD END	2	2	
24	48836-85C00	CONNECTOR, TIE ROD END	2	2	
25	09140-16023	NUT, TIE ROD END	2	2	
26	48820-85C00	END, STEERING TIE ROD	2	2	
27	48814-85C00	.SEAL SET, DUST	2	2	
28	09401-27402	.CLIP, DUST SEAL	2	2	
29	08314-40123	NUT	4	4	
30	04111-30208	COTTER, PIN	4	4	

5

SE419TD (RHD)



FIG. 118A

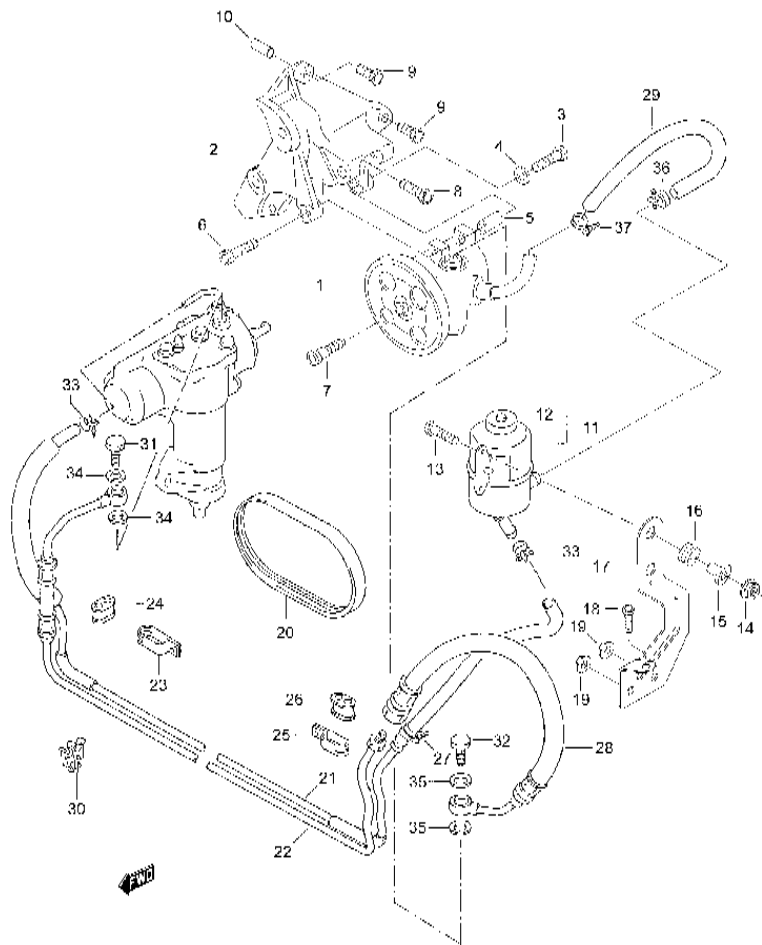


FIG.118A POWER STEERING OIL PUMP

REF NO.	PART NO.	DESCRIPTION	QTY		REMARKS
			C	V	
1	49100-86CC0	PUMP ASSY, POWER STEERING	1	1	
2	35336-86CB0	BRACKET PUMP	1	1	
3	00068-86CA0	BOLT, PUMP	1	1	
4	08322-01083	PLAIN WASHER PUMP	1	1	
5	45070-86CA0	BUSH	1	1	13X25
6	07130-08302	BOLT, PUMP	1	1	
7	00059-86CA0	BOLT	1	1	8X125X30
8	00050-86CA0	BOLT, BRACKET PUMP	1	1	
9	00051-86CA0	BOLT, BRACKET PUMP	2	2	
10	35337-86CA0	BUSH	2	2	
11	49140-56B00	TANK ASSY, POWER STRG OIL	1	1	
12	49141-60A00	.CAP, TANK	1	1	
13	01550-06203	BOLT, TANK	2	2	
14	08316-20063	NUT, TANK	2	2	
15	09169-06065	SPACER, TANK	2	2	
16	09320-86CA0	GROMMET TANK	2	2	
17	45072-86CA0	BRACKET, OIL TANK	1	1	
18	01550-06123	BOLT, BRACKET OIL TANK	1	1	
19	08316-20083	NUT, BRACKET OIL TANK	2	2	
20-1	35340-86CB0	BELT, POWER STEERING	1	1	N/AIR CON
20-2	95141-86CB0	BELT, POWER STEERING	1	1	W/AIR CON
21	49220-56B10	HOSE, RETURN	1	1	
22	49210-56B00	HOSE, PRESSURE	1	1	
23	49224-60A00	BUSH PIPE	1	1	
24	49223-60A00	BRACKET PIPE NO.2	1	1	
25	49226-56B00	BRACKET PIPE NO.3	1	1	
26	48227-56B00	BUSH PIPE	1	1	
27	09400-18302	CLAMP	1	1	
28	49210-56B21	HOSE, PRESSURE	1	1	
29	49214-86CD0	HOSE SUCTION	1	1	
30	49225-56B00	CLAMP PIPE	2	2	
31	49251-85C00	BOLT, UNION GEAR BOX	1	1	

SE419TD (RHD)

FIG. 118A

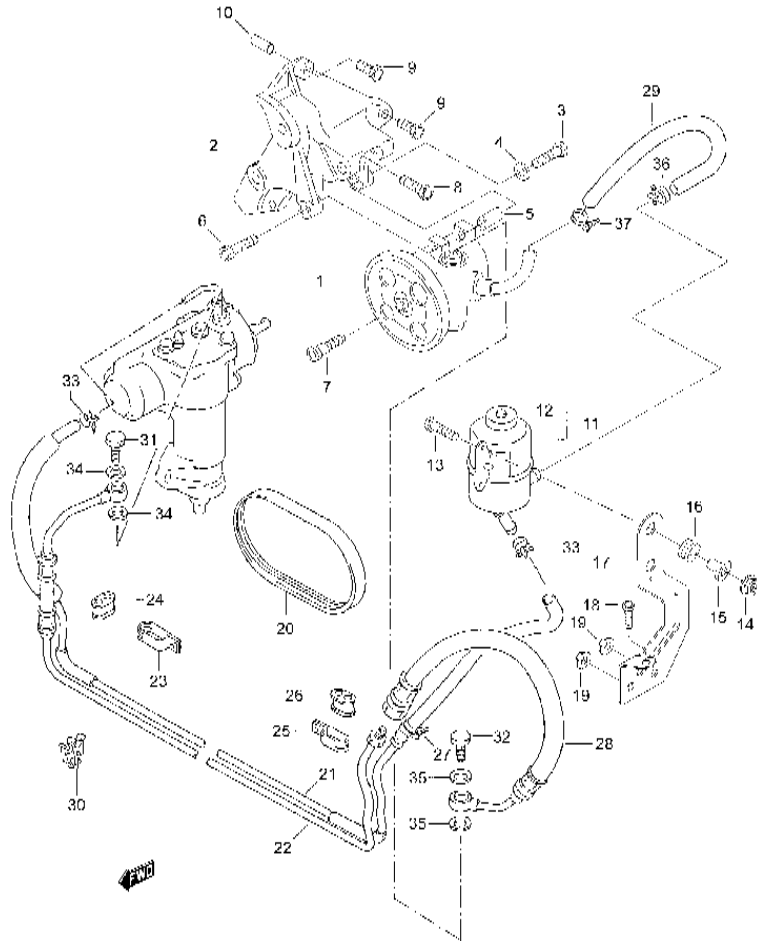


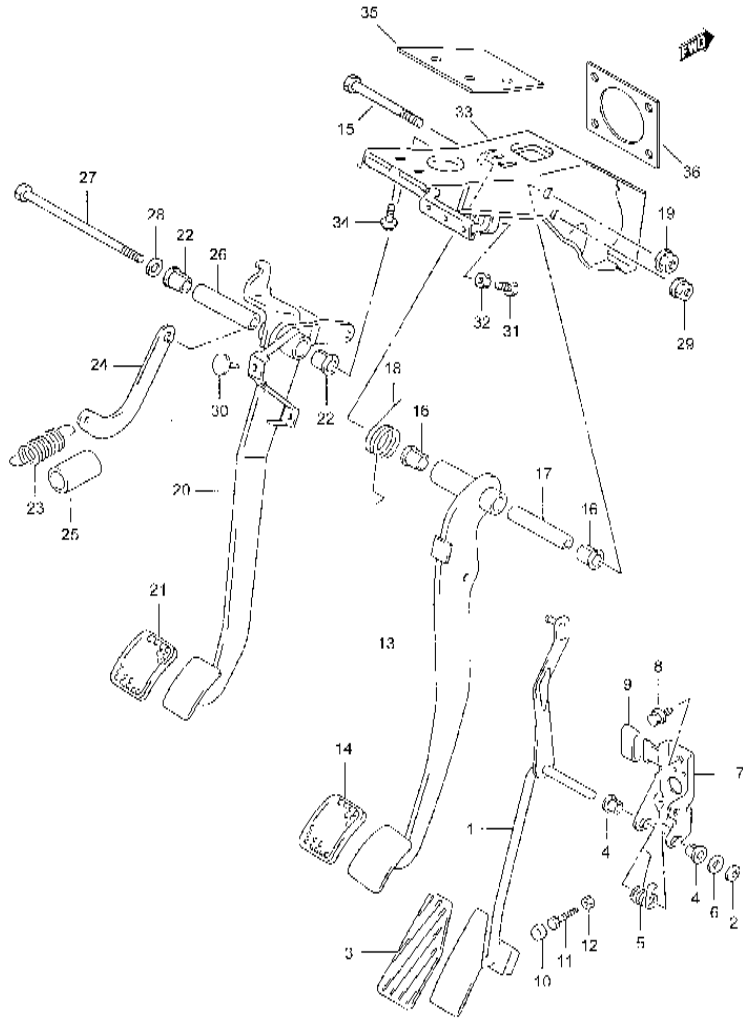
FIG.118A POWER STEERING OIL PUMP

REF NO.	PART NO.	DESCRIPTION	QTY		REMARKS
			C	V	
32	49252-86CA0	BOLT, UNION P. STRG PUMP	1	1	
33	51911-85C00	CLAMP, RETURN	2	2	
34	09168-14009	GASKET, GEAR BOX	2	2	
35	09168-16002	GASKET, POWER STEERING BOX	2	2	
36	08002-86CA0	CLAMP, SUCTION TANK	1	1	
37	08012-86CA0	CLAMP, SUCTION PUMP	1	1	

5

SE419TD (RHD)

FIG. 120A



5

FIG.120A PEDAL AND PEDAL BRACKET

REF NO.	PART NO.	DESCRIPTION	QTY		REMARKS
			C	V	
1	49410-62A01	PEDAL SET ACELERATOR	1	1	
2	49481-85C00	NUT, PUSH	1	1	
3	49451-60B00	PAD, ACELERATOR PEDAL	1	1	
4	09307-09001	BUSH, PEDAL SHAFT	2	2	
5	09448-86CA0	SPRING, PEDAL RETURN	1	1	
6	09160-09016	WASHER, PEDAL SHAFT	1	1	9.5X20X1
7	49511-60A00	BRACKET, ACELERATOR	1	1	
8	03141-04083	BOLT, BRACKET	2	2	
9	49416-60A00	CUSHION, PEDAL RETURN	1	1	
10	09251-09002	CUSHION, PEDAL STOPPER	1	1	
11	09100-06150	BOLT, PEDAL STOPPER	1	1	6X31
12	08316-10063	NUT, PEDAL STOPPER	1	1	
13	49610-62A00	PEDAL BRAKE	1	1	
14	49751-79001	PAD, PEDAL	1	1	
15	09100-10226	BOLT, PEDAL SHAFT	1	1	10X96
16	09306-13004	BUSH, PEDAL SHAFT	2	2	
17	09180-10121	SPACER, PEDAL	1	1	10.1X13X82
18	49691-62A00	SPRING, PEDAL RETURN	1	1	
19	08316-20103	NUT, PEDAL	1	1	
20	49810-62A01	PEDAL, CLUTCH	1	1	
21	49751-79001	PAD, PEDAL	1	1	
22	09306-13004	BUSHING, PEDAL SHAFT	2	2	
23	49818-77500	SPRING, CLUTCH PEDAL	1	1	
24	49831-62A00	ARM, RETURN SPRING	1	1	
25	49821-77500	TUBE, RETURN SPRING	1	1	
26	09180-10135	SPACER, CLUTCH PEDAL SHAFT	1	1	10X13X40.4
27	09103-10122	BOLT, PEDAL SHAFT	1	1	6X30
28	08322-11103	WASHER, ARM	1	1	
29	08316-20103	NUT, PEDAL	1	1	
30	09321-06026	CUSHION, PEDAL RETURN	1	1	
31	09100-06088	BOLT, RETURN STOP	1	1	6X30
32	08316-20063	NUT, RETURN STOP	1	1	
33	49710-62A53	BRACKET, PEDAL	1	1	
34	01580-08203	BOLT, BRACKET	3	3	
35	49711-86CA0	JOINT, UPPER BRACKET	1	1	
36	49711-86CB0	JOINT, LOWER BRACKET	1	1	

SE419TD (RHD)

FIG. 123A

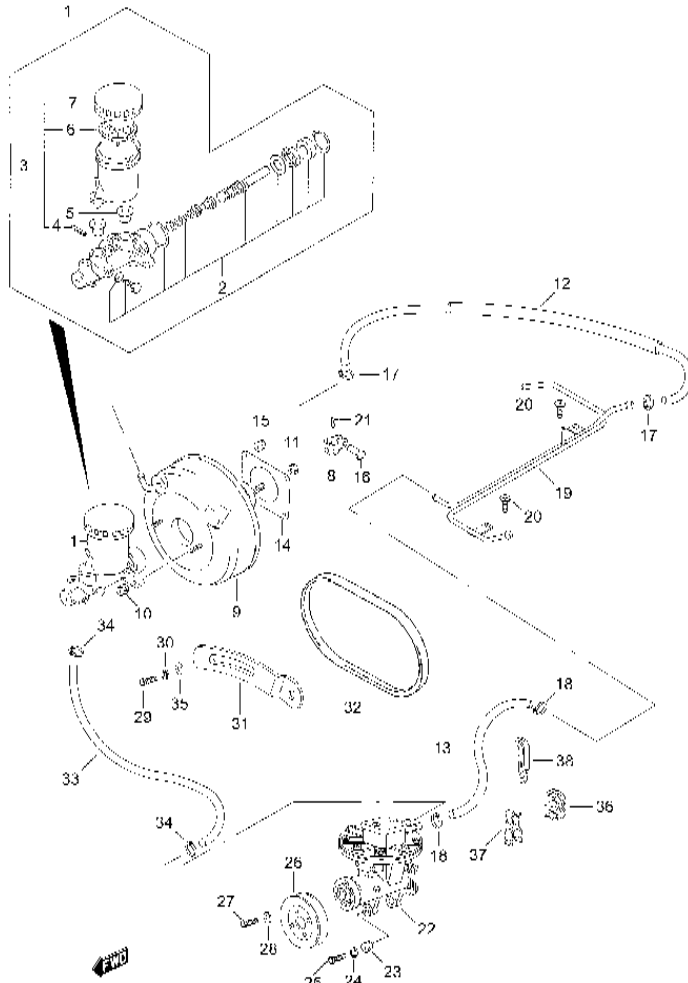


FIG.123A BK MASTER CYLINDER

REF NO.	PART NO.	DESCRIPTION	QTY		REMARKS
			C	V	
1	51100-57B10	CYL. ASSY, BRAKE MASTER	1	1	
2	51810-57B00	.PISTON SET, BRAKE MASTER	1	1	
3	51200-77E00	.RESERVIOR SET, MASTER CYL.	1	1	
4	09205-05003	..PIN RESERVOIR	1	1	
5	51197-85520	..GROMMET, RESERVOIR	2	2	
6	51234-60A20	..STRAINER, CYL. RESERVOIR	1	1	
7	51220-60A20	..CAP ASSY, CYL. RESERVOIR	1	1	
8	51182-77E00	CLEVIS, CYL. PUSH ROD	1	1	
9	51300-77E00	BOOSTER ASY, BRAKE MASTER	1	1	
10	08310-12083	NUT, BOOSTER	2	2	
11	09140-10019	NUT, CYLINDER PUSH ROD	1	1	
12	51020-86CB0	HOSE, BRAKE VACUUM INTAKE	1	1	
13	51010-86CA1	HOSE, BRAKE VACUUM INTAKE	1	1	
14	51132-82003	GASKET	1	1	
15	51119-86CA0	NUT, BRAKE MASTER CYLINDER	4	4	
16	51811-85C00	PIN, BRAKE MASTER CYL.	1	1	
17	51911-85C00	CLAMP, BRAKE VACUUM HOSE	2	2	
18	15899-85C00	CLAMP, BRAKE VACUUM HOSE INT.	1	1	
19	15861-86CC2	PIPE, FUEL RETURN & BK VACUUM	1	1	
20	01550-06103	BOLT, BRAKE VACUUM HOSE	2	2	
21	51812-85C00	CLIP, BRAKE MASTER PIN	1	1	
22	11029-86CA0	VACUUM PUMP	1	1	
23	09159-86CA0	NUT, VACUUM PUMP	1	1	
24	08322-01083	SPRING WASHER	1	1	
25	00069-86CA0	BOLT, VACUUM PUMP	1	1	
26	45071-86CA0	VACUUM PUMP PULLEY	1	1	
27	01500-06123	BOLT, PULLEY PUMP	4	4	
28	08321-01063	SPRING WASHER	4	4	
29	01500-08203	SCREW	1	1	

5

SE419TD (RHD)



FIG. 123A

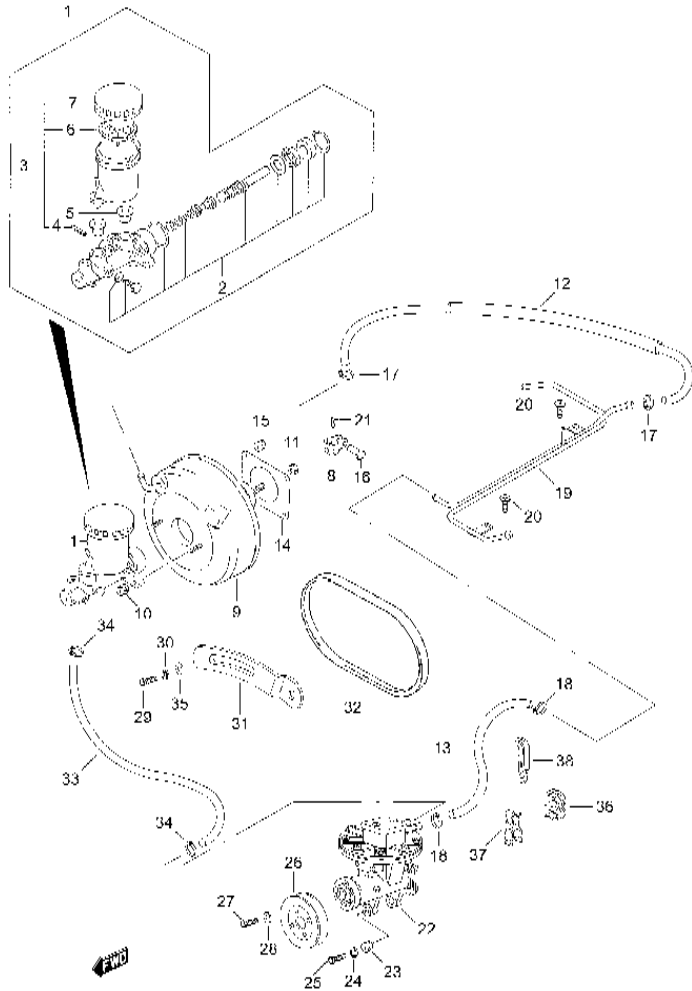


FIG.123A BK MASTER CYLINDER

REF NO.	PART NO.	DESCRIPTION	QTY		REMARKS
			C	V	
30	08321-01083	SPRING WASHER	1	1	
31	17921-86CA0	ARM, VACUUM PUMP	1	1	
32	17521-86CA0	BELT, VACUUM PUMP	1	1	
33	51010-84CA0	HOSE, VACUUM PUMP OUTLET	1	1	
34	08012-86CA0	CLAMP, VACUUM INLET HOSE	2	2	
35	02039-86CA1	PLANE WASHER, ARM	1	1	
36	15427-86CB0	CLIP, JOINT HOSE	1	1	
37	08011-86CA0	CLIP, JOINT HOSE	1	1	
38	09404A08405	CLIP, DISTRIBUTION CASE	1	1	

SE419TD (RHD)

FIG. 129A

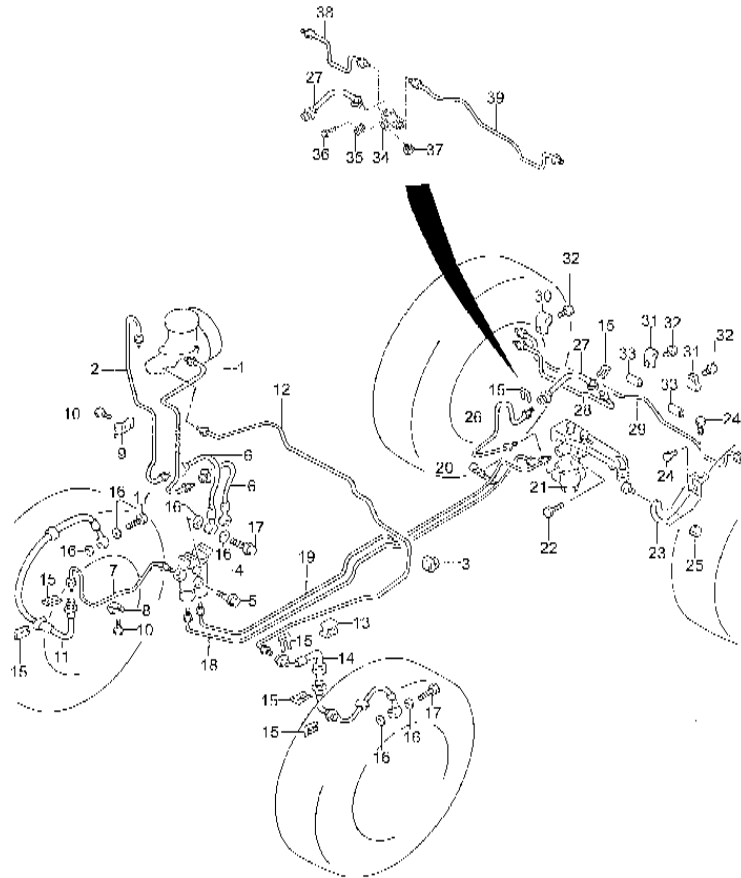


FIG.129A BRAKE PIPING

REF NO.	PART NO.	DESCRIPTION	QTY		REMARKS
			C	V	
1	51410-57B10	PIPE, MA PRIMARY TO JOINT	1	1	
2	51520-57B10	PIPE, MA SECONDARY TO JOINT	1	1	
3	51752-70B00	CLAMP	3	3	
4	51640-85C20	JOINT, BRAKE 5 WAY	1	1	
5	01550-06403	BOLT	2	2	
6	51570-77E00	HOSE, MASTER CYL. FLEXIBLE	2	2	
7	51420-85C00	PIPE, JOINT TO BRAKE HOSE	1	1	
8	51781-85C00	CLAMP	1	1	
9	09403-07312	CLAMP	1	1	
10	01570-06123	BOLT	2	2	
11	51540-85C00	HOSE, FR FLEXIBLE RH	1	1	
12	51430-57B10	PIPE, CYL TO FR HOSE	1	1	
13	51435-60A00	CLAMP	1	1	
14	51550-85C00	HOSE, FR FLEXIBLE LH	1	1	
15	51593-85C00	E RING	9	9	
16	51591-85C00	GASKET, FLEXIBLE HOSE	8	8	
17	51592-85C00	BOLT	4	4	
18-1	51340-86CA0	PIPE, JOINT TO VALVE FRONT	1	1	3DR
18-2	51340-56B20	PIPE, JOINT TO VALVE FRONT	-	1	5DR
19-1	51460-86CA0	PIPE, JOINT TO VALVE REAR	1	1	3DR
19-2	51460-56B20	PIPE, JOINT TO VALVE REAR	-	1	5DR
20	51465-60A00	CLAMP	1	1	3DR
21	51930-56B20	VALVE ASSY, LOAD SENSING PROPEN	1	1	
22	01570-08403	BOLT	2	2	
23	51955-60A20	STAY, PROPORTIONING VALVE	1	1	
24	01550-08163	BOLT STAY	2	2	
25	08316-10083	NUT	1	1	
26	51350-56B20	PIPE, VALVE TO REAR BRAKE HOSE	1	1	
27-1	51560-85C00	HOSE, REAR BRAKE FLEXIBLE	-	1	5DR
27-2	51560-86CA0	HOSE, REAR BRAKE FLEXIBLE	1	1	3DR

5

SE419TD (RHD)

FIG. 129A

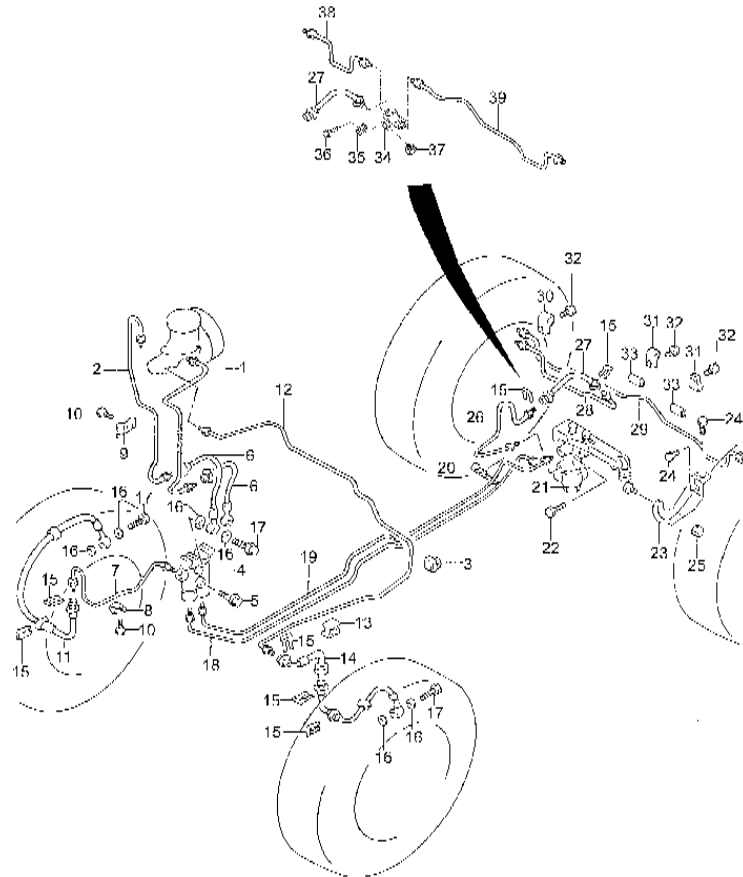


FIG.129A BRAKE PIPING

REF NO.	PART NO.	DESCRIPTION	QTY		REMARKS
			C	V	
28	51470-56B01	PIPE, HOSE TO REAR RH BRAKE	-	1	5DR
29	51480-56B01	PIPE, RH BRAKE TO LH BRAKE	-	1	5DR
30	09403-06404	CLAMP	1	1	
31	51781-85C00	CLAMP	4	4	
32	51791-85C00	SCREW	5	5	
33	51755-67000	PROTECTOR, BRAKE PIPE	4	4	
34	51640-86CB0	JOINT, COMP BRAKE 3 WAY	1	1	3DR
35	51661-86CA0	COUPLING PLATE, "T" REAR	1	1	3DR
36	01570-06206	BOLT, 3 WAY JOINT	1	1	3DR
37	08310-00063	NUT, 3 WAY JOINT	1	1	3DR
38	51470A60A00	PIPE, RR BK HOSE TO RH BK ASSY	1	1	3DR
39	51480A60A00	PIPE, RR BK HOSE TO LH BK ASSY	1	1	3DR

SE419TD (RHD)



FIG. 137A

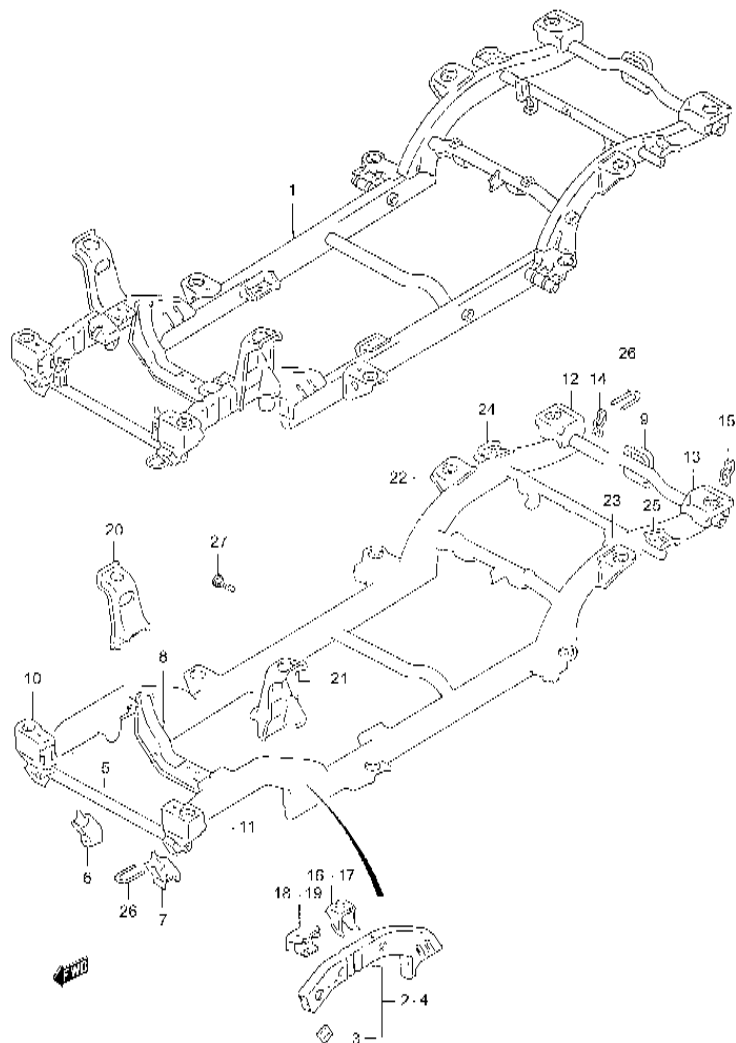


FIG.137A CHASIS FRAME (3DR)

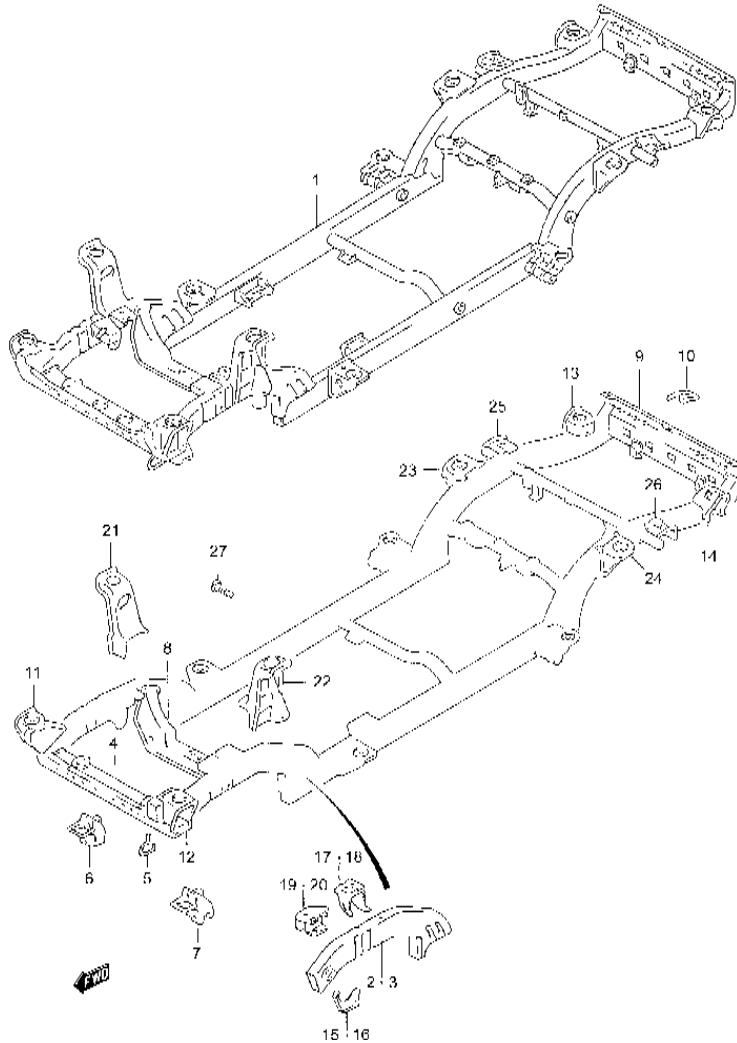
REF NO.	PART NO.	DESCRIPTION	QTY		REMARKS
			C	V	
1	57000-86CE0	FRAME ASSY	1	1	
2	57110-56B31	.MEMBER, SIDE FRAME FR RH	1	1	
3	57492-60A00	..HOOK, SHIPPING FRONT	1	1	
4	57160-56B30	.MEMBER, SIDE FRAME FR LH	1	1	
5	57211-56B00	.CROSSMEMBER, 1ST	1	1	
6	57710-86CA0	.HANGER, FR SPNSN ARM RH	1	1	
7	57720-56B30	.HANGER, FR SPNSN ARM LH	1	1	
8	57720-56B20	.CROSSMEMBER, 2ND	1	1	
9	57260-60A00	.CROSSMEMBER, TAIL	1	1	
10	57310-56B20	.BRACKET, 1ST MOUNTING RH	1	1	
11	57320-56B00	.BRACKET, 1ST MOUNTING LH	1	1	
12	57730-60A00	.BRACKET, 4TH MOUNTING RH	1	1	
13	57380-60A00	.BRACKET, 4TH MOUNTING LH	1	1	
14	57481-60A00	.BRACKET, RR BUMPER SIDE RH	1	1	
15	57482-60A00	.BRACKET, RR BUMPER SIDE LH	1	1	
16	57511-60A00	.BRACKET, ENG MOUNTING RH	1	1	
17	57521-60A00	.BRACKET, ENG MOUNTING LH	1	1	
18	57620-60A00	.BRACKET, FR DIFF MTG RH	1	1	
19	57630-60A00	.BRACKET, FR DIFF MTG LH	1	1	
20	57730-56B10	.BRACKET, FR STRUT RH	1	1	
21	57740-56B00	.BRACKET, FR STRUT LH	1	1	
22	57810-77E00	.BRACKET, RR COIL SPRING RH	1	1	
23	57820-77E00	.BRACKET, RR COIL SPRING LH	1	1	
24	57831-56B00	.BRACKET, RR SHOCK ABSORBER RH	1	1	
25	57841-56B00	.BRACKET, RR SHOCK ABSORBER LH	1	1	
26	57941-60A00	.HOOK, TOWING	2	2	
27	59971-85C00	.BOLT, STUD	10	10	

6

SE419TD (RHD)



FIG. 138A



6

FIG.138A CHASIS FRAME (5DR)

REF NO.	PART NO.	DESCRIPTION	QTY		REMARKS
			C	V	
1	57000-86CF0	FRAME ASSY	-	1	
2	57110-56B31	.MEMBER, SIDE FRAME FR RH	-	1	
3	57160-56B30	.MEMBER, SIDE FRAME FR LH	-	1	
4	57210-86CB0	.CROSSMEMBER, 1ST	-	1	
5	57213-56B00	..HOOK, TOWING FRONT	-	1	
6	57710-86CA0	..HANGER, FR SPNSN ARM RH	-	1	
7	57720-56B30	..HANGER, FR SPNSN ARM LH	-	1	
8	57720-56B20	.CROSSMEMBER, 2ND	-	1	
9	57260-56B01	.CROSSMEMBER, TAIL	-	1	
10	57264-56B00	..HOOK, REAR TOWING	-	1	
11	57310-56B00	.BRACKET, 1ST MOUNTING RH	-	1	
12	57320-56B00	.BRACKET, 1ST MOUNTING LH	-	1	
13	57371-56B00	.BRACKET, 4TH MOUNTING RH	-	1	
14	57381-56B01	.BRACKET, 4TH MOUNTING LH	-	1	
15	57411-56B00	.GUSSET, 1ST CROSSMEMBER RH	-	1	
16	57412-56B00	.GUSSET, 1ST CROSSMEMBER LH	-	1	
17	57511-60A00	.BRACKET, ENG MOUNTING RH	-	1	
18	57521-60A00	.BRACKET, ENG MOUNTING LH	-	1	
19	57620-60A00	.BRACKET, FR DIFF MTG RH	-	1	
20	57630-60A00	.BRACKET, FR DIFF MTG LH	-	1	
21	57730-56B10	.BRACKET, FRONT STRUT RH	-	1	
22	57740-56B00	.BRACKET, FRONT STRUT LH	-	1	
23	57810-77E00	.BRACKET, REAR COIL SPRING RH	-	1	
24	57820-77E00	.BRACKET, REAR COIL SPRING LH	-	1	
25	57831-56B00	.BRACKET, RR SHOCK ABSORBER RH	-	1	
26	57841-56B00	.BRACKET, RR SHOCK ABSORBER LH	-	1	
27	59971-85C00	.BOLT, STUD	-	9	

SE419TD (RHD)



FIG. 139A

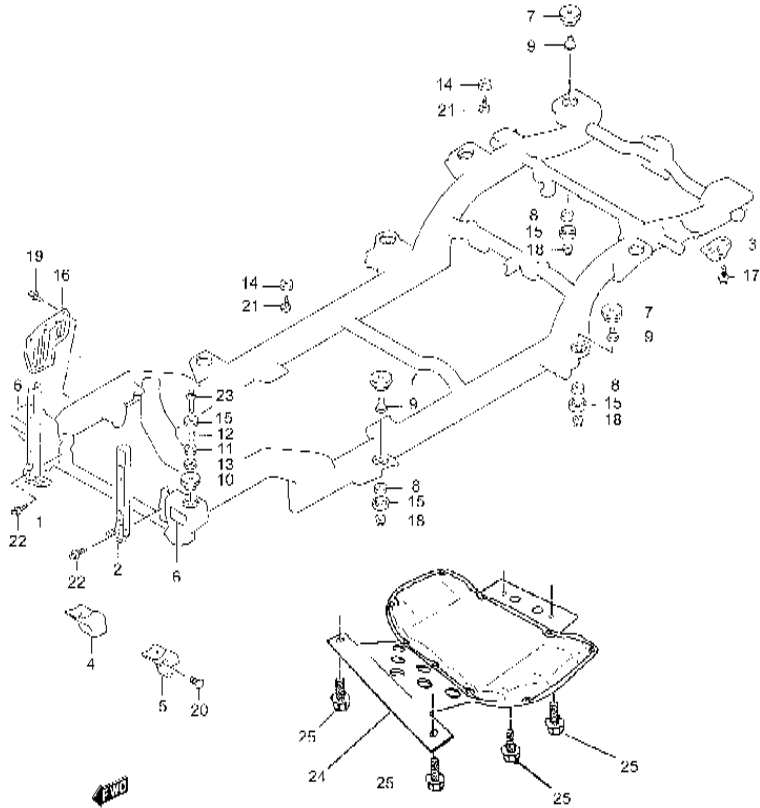


FIG.139A

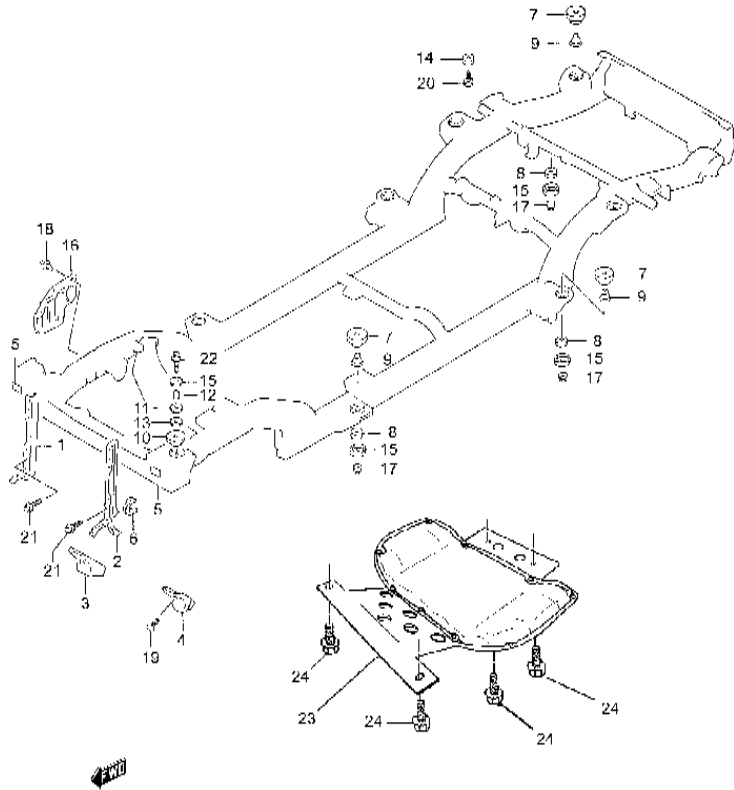
REF NO.	PART NO.	DESCRIPTION	QTY		REMARKS
			C	V	
1	71410-86CC0	STAY, RADIATOR RH	1	1	
2	71420-86CC0	STAY, RADIATOR LH	1	1	
3	71451-60A00	HOOK, SHIPPING REAR	1	1	
4	71461-56B00	COVER, FR SPSNS ARM RH	1	1	
5	71471-56B00	COVER, FR SPSNS ARM LH	1	1	
6	71481-56B00	PROTECTOR, FR BUMPER MEMBER	2	2	
7	71511-60A00	CUSHION, BODY MTG NO. 1	6	6	
8	71512-60A00	CUSHION, BODY MTG NO. 2	6	6	
9	71513-60A00	COLLOR, BODY MOUNTING	6	6	
10	71514-56B00	CUSHION, BODY FR MTG NO.1	2	2	
11	71515-60A00	CUSHION, BODY FR MTG NO.2	2	2	
12	71516-85C00	COLLOR, BODY FR MTG	2	2	
13	71517-56B02	SPACER, BODY FR MOUNTING	2	2	
14	71521-60A00	PAD, BODY MOUNTING	4	4	
15	71632-83010	BOTTOM, BODY MOUNTING	8	8	
16	72211-56B01	FLAP, FR FRAME SIDE RH	1	1	
17	09103-12403	BOLT, SHIPPING HOOK	2	2	
18	59119-85C00	NUT, BODY MOUNTING	6	6	
19	09409-06318	CLIP, FR FRAME FLAP	2	2	
20	59931-85C00	CLIP, HANGER COVER	2	2	
21	59931-85C00	CLIP, BODY MOUNTING	4	4	
22	01500-08203	BOLT, RADIATOR STAY	4	4	
23	01500-10853	BOLT, BODY MOUNTING	2	2	
24	11725-86CB1	OIL SUMP GUARD	1	1	
25	01550-08203	BOLT, OIL SUMP GUARD	4	4	

6

SE419TD (RHD)



FIG. 140A



6

FIG.140A BODY MOUNTING (5DR)

REF NO.	PART NO.	DESCRIPTION	QTY		REMARKS
			C	V	
1	71410-86CC0	STAY, RADIATOR RH	-	1	
2	71420-86CC0	STAY, RADIATOR LH	-	1	
3	71461-56B00	COVER, FR. SPSNS ARM RH	-	1	
4	71471-56B00	COVER, FR SPSNS ARM LH	-	1	
5	71481-56B00	PROTECTOR, FR BUMPER MEMBER	-	2	
6	71491-56B00	PROTECTOR, FR TOWING BOOK	-	1	
7	71511-56B00	CUSHION,BODY MOUNTING NO.1	-	6	
8	71512-60A00	CUSHION, BODY MOUNTING NO. 2	-	6	
9	71513-60A00	COLLOR, BODY MOUNTING	-	6	
10	71514-56B00	CUSHION, BODY FR MTG NO. 1	-	2	
11	71515-60A00	CUSHION, BODY FR MTG NO. 2	-	2	
12	71516-85C00	COLLOR, BODY FR MOUNTING	-	2	
13	71517-56B02	SPACER, BODY FR MOUNTING	-	2	
14	71521-56B00	PAD, BODY MOUNTING	-	4	
15	71632-83010	BOTTOM, BODY MOUNTING	-	8	
16	72211-56B01	FLAP, FR FRAME SIDE RH	-	1	
17	59119-85C00	NUT, BODY MOUNTING	-	6	
18	09409-06318	CLIP, FR FRAME FLAP	-	3	
19	59931-85C00	CLIP, HANGER COVER	-	2	
20	59931-85C00	CLIP, BODY MOUNTING	-	4	
21	01500-08203	BOLT, RADIATOR STAY	-	4	
22	01500-10853	BOLT, BODY MOUNTING	-	2	
23	11725-86CB1	OIL, SUMP GUARD	-	1	
24	01550-08203	BOLT, OIL SUMP GUARD	-	4	

SE419TD (RHD)



FIG. 141A

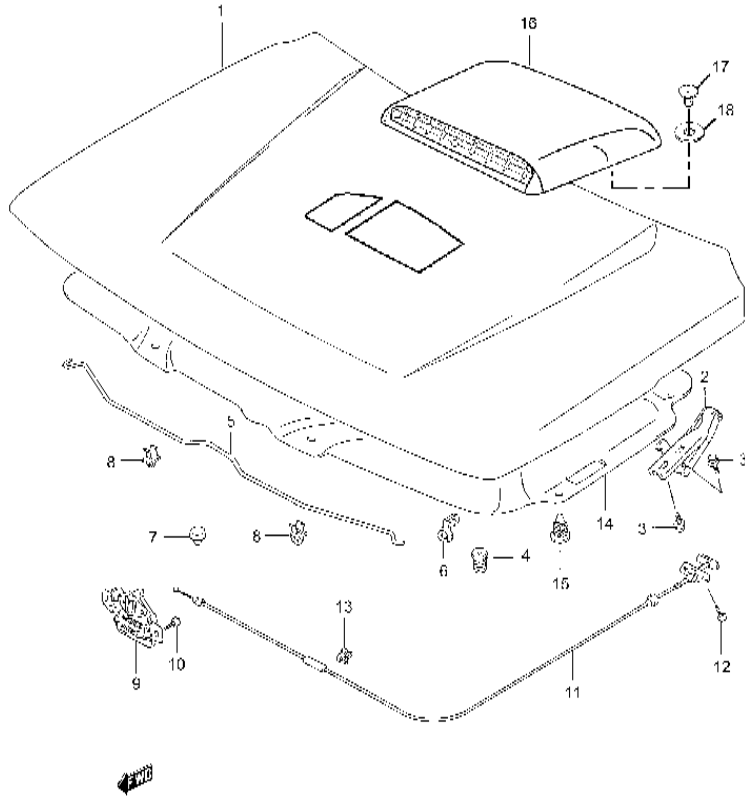


FIG.141A ENGINE FRONT HOOD

REF NO.	PART NO.	DESCRIPTION	QTY		REMARKS
			C	V	
1	58300-86CB0	PANEL ASSY, FRONT HOOD	1	1	
2	58410-60A30	HINGE, FRONT HOOD	2	2	
3	01500-06163	BOLT, HINGE	8	8	
4	72372-85C00	CUSHION, FRONT HOOD	2	2	
5	72431-60A02	STAY, FRONT HOOD	1	1	
6	09209-14001	LINKAGE, FR HOOD STAY	1	1	
7	09231-10023	CUSHION, FRONT HOOD	1	1	
8	09403-07307	CLAMP, HOOD STAY	2	2	
9	82110-77E00	LATCH, HOOD	1	1	
10	01500-06123	BOLT, LATCH	2	2	
11	82160-85C00	CABLE, LATCH RELEASE	1	1	
12	02112-05123	SCREW	2	2	
13	39283-85C00	CLAMP, CABLE	2	2	
14	75270-86CB0	SILENCER, FRONT HOOD	1	1	
15	09409-06309-5ES	CLIP, SILENCER	8	8	BLACK
16	77300-86CB0	FRONT HOOD, UPPER GARNISH ASSY	1	1	
17	02142-06123	SCREW	5	5	
18	09160-06079	PLAIN WASHER	5	5	

6

SE419TD (RHD)



FIG. 142A

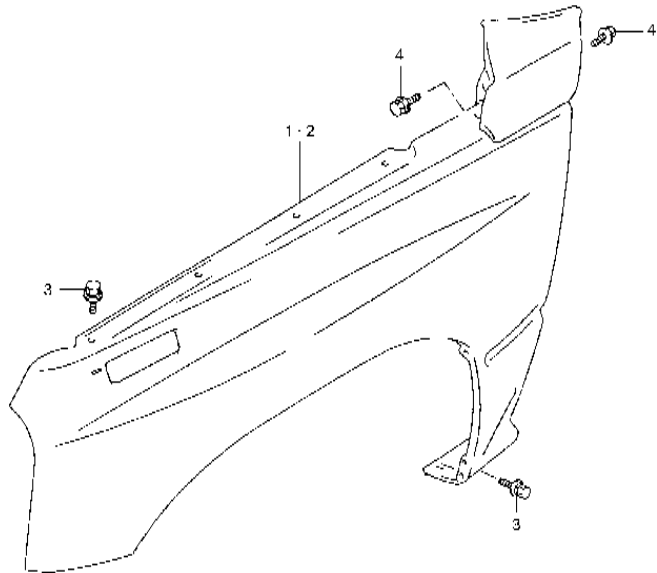
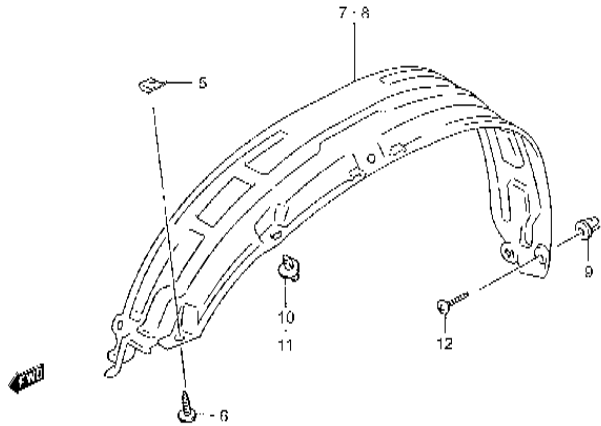


FIG.142A FRONT FENDER AND LINING

REF NO.	PART NO.	DESCRIPTION	QTY		REMARKS
			C	V	
1-1	58600-60A21	PANEL ASSY, FR FENDER RH	1	1	
1-2	58600-66A10	PANEL ASSY, FR FENDER RH	1	1	W/SPLASH GUARD, 3DR
2-1	58800-60A21	PANEL ASSY, FR FENDER LH	1	1	
2-2	58800-66A10	PANEL ASSY, FR FENDER LH	1	1	W/SPLASH GUARD, 3DR
3	01550-06123	SCREW, FR FENDER	12	12	
4	01550-06123	SCREW, COWL SIDE GARNISH	4	4	
5	59911-85C00	NUT, FR FENDER	2	2	
6	03241-06103	SCREW, FR FENDER	2	2	
7	72481-85C00	LINING, FR FENDER RH	1	1	
8	72482-85C00	LINING, FR FENDER LH	1	1	
9	59981-85C00	NUT, FENDER LINING	4	4	
10-1	59932-85C00	CLIP, FENDER LINING	12	12	
10-2	59932-85C00	CLIP, FENDER LINING INNER	6	6	W/SPLASH GUARD
11	09409-08308-5ES	CLIP, FENDER LINING OUTER	6	6	W/SPLASH GUARD
12-1	03242-06163	SCREW, FENDER LINING	2	2	W/SPLASH GUARD
12-2	03242-06163	SCREW, FENDER LINING	4	4	



6

SE419TD (RHD)



FIG. 144A

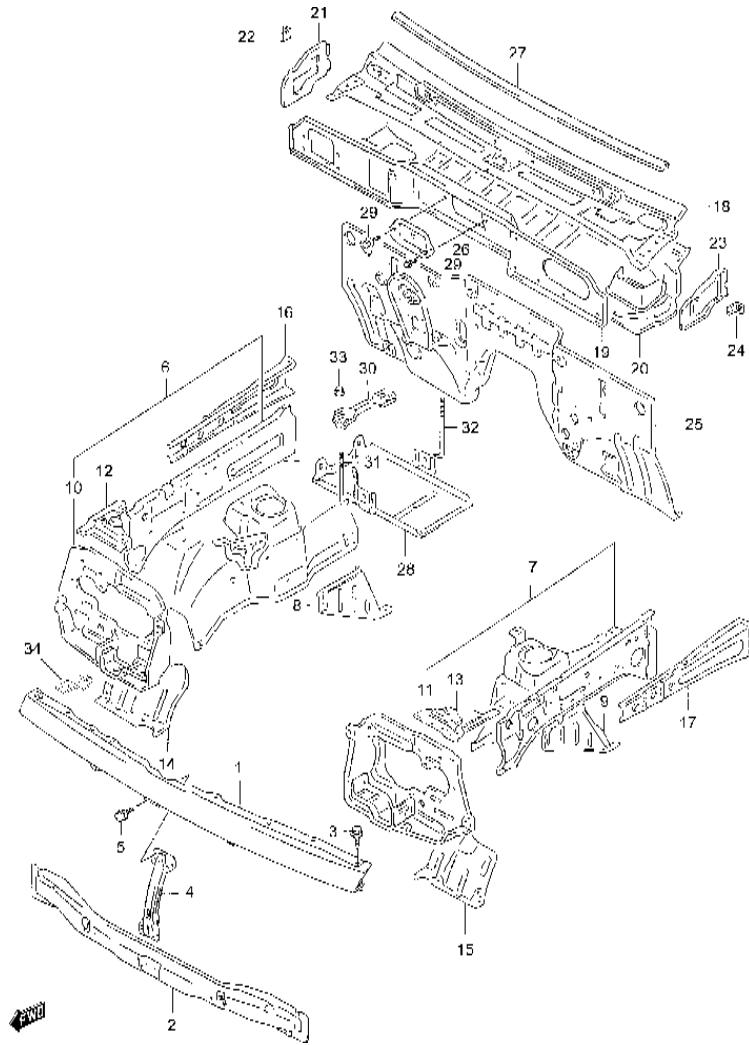


FIG.144A FRONT SHEET METAL

REF NO.	PART NO.	DESCRIPTION	QTY		REMARKS
			C	V	
1	58110-85C00	PANEL FRONT	1	1	
2	58190-56B10	MEMBER, FRONT PANEL LOWER	1	1	
3	01550-06123	SCREW, FRONT PANEL	10	10	
4	72411-60A01	MEMBER, FR PANEL CENTER	1	1	
5	01550-06103	SCREW, FR PANEL CTR MEMBER	4	4	
6	58700-86CC0	PANEL, FRONT WHEEL HOUSING RH	1	1	
7	58900-86CC0	PANEL, FRONT WHEEL HOUSING LH	1	1	
8	58712-60A10	.EXTENSION, WHEEL HOUSING RH	1	1	
9	58912-60A10	.EXTENSION, WHEEL HOUSING LH	1	1	
10	58730-85C00	.PANEL, LAMP SUPPORT RH	1	1	
11	58930-86CA0	.PANEL, LAMP SUPPORT LH	1	1	
12	58741-86CA0	.GUSSET, FRONT CORNER RH	1	1	
13	58941-86CA0	.GUSSET, FRONT CORNER LH	1	1	
14	58755-60A00	.GUSSET, FR LOWER MEMBER RH	1	1	
15	58955-60A00	.GUSSET, FR LOWER MEMBER LH	1	1	
16	58770-86CA0	MEMBER, FRONT BODY SIDE RH	1	1	
17	58970-56B01	MEMBER, FRONT BODY SIDE LH	1	1	
18	59110-86B20	PANEL, COWL TOP	1	1	
19	59211-86CB0	PANEL, COWL FRONT	1	1	
20	59310-56B23	PANEL, COWL UPPER	1	1	
21	59410-60A01	PANEL, SIDE RH	1	1	
22	59412-60A10	BRACKET, SIDE FRONT RH	1	1	
23	59420-60A01	PANEL, SIDE LH	1	1	
24	59422-60A10	BRACKET, SIDE FRONT LH	1	1	
25	61100-86C00	PANEL, DASH	1	1	
26	72421-60A00	LID, WIPER LINK SERVICE HOLE	1	1	
27	72471-60A00	WEATHERSTRIP, COWL TOP FR	1	1	
28	58960-86CA0	BRACKET, BATTERY	1	1	
29	01550-06103	BOLT, WIPER SERVICE HOLE LH	1	1	
30	72511-60A02	BAND, BATTERY	1	1	
31	72512-85C01	BOLT, BATTERY	1	1	
32	72512-86CA0	BOLT, BATTERY	1	1	
33	08361-15063	NUT, BATTERY	2	2	
34	13877-86CA0	HOOK, BAND STAY AIR CLEAN	1	1	

6

SE419TD (RHD)

FIG. 145A

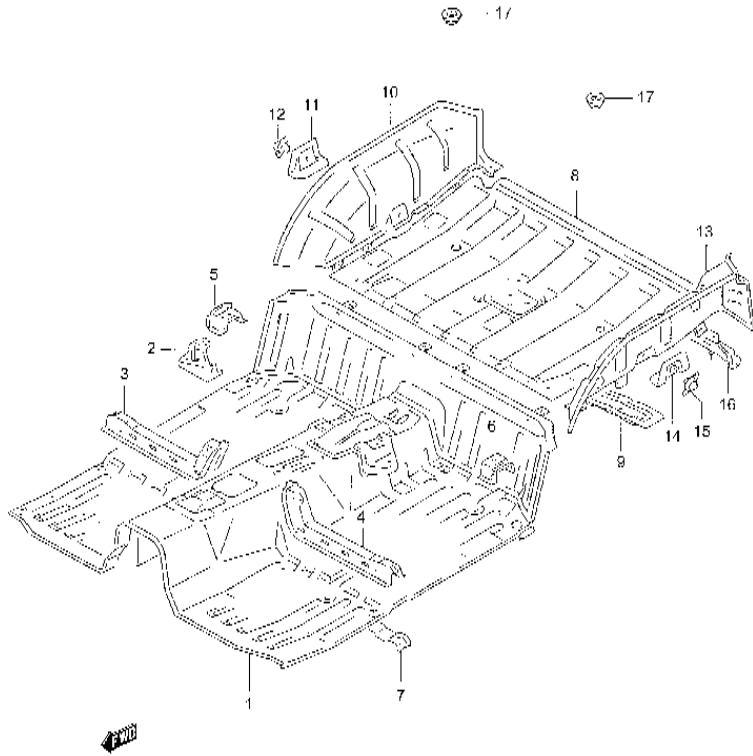


FIG.145A FLOOR PANEL (3DR)

REF NO.	PART NO.	DESCRIPTION	QTY		REMARKS
			C	V	
1	61400-63A31	PANEL SET, FRONT FLOOR	1	1	
2	61440-60A00	.BRACKET, JACK	1	1	
3	61450-60A10	.MEMBER, FRONT SEAT RH	1	1	
4	61550-60A10	.MEMBER, FRONT SEAT LH	1	1	
5	61461-60A00	.BRACKET, SEAT RR OUTER RH	1	1	
6	61561-60A00	.BRACKET, SEAT RR OUTER LH	1	1	
7	61641-60A10	.REINF, SEAT BELT CENTER	1	1	
8	62111-60A20	PANEL RR FLOOR	1	1	
9	62120-60A00	MEMBER, RR FLOOR	1	1	
10-1	62210-60A30	PANEL, WHEEL HOUSE INNER RH	1	-	
10-2	62210-60A20	PANEL, WHEEL HOUSE INNER RH	-	1	
11	62131-60A00	.REINF, SEAT BELT SIDE RH	1	1	
12	62132-60A00	.COVER, SEAT BELT SIDE	1	1	
13-1	62310-85C30	PANEL, WHEEL HOUSE INNER LH	1	-	
13-2	62310-85C20	PANEL, WHEEL HOUSE INNER LH	-	1	
14	62331-85C00	.REINF, SEAT BELT SIDE LH	1	1	
15	62132-60A00	.COVER, SEAT BELT SIDE	1	1	
16	62510-62A40	MEMBER, REAR FLOOR TAIL	1	1	
17	65971-77E00	CAP, REAR FLOOR	2	2	

SE419TD (RHD)

FIG. 146A

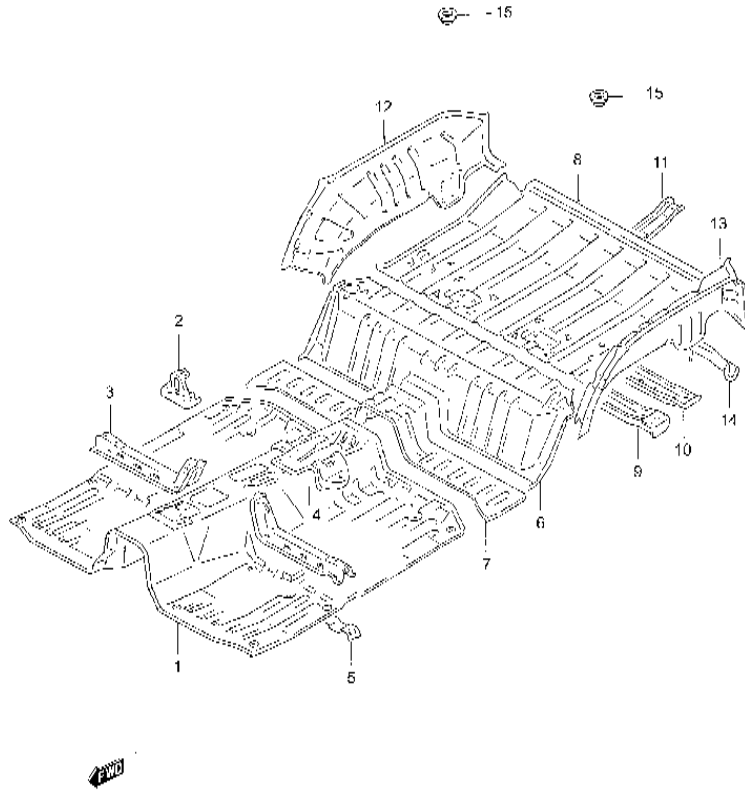


FIG.146A FLOOR PANEL (5DR)

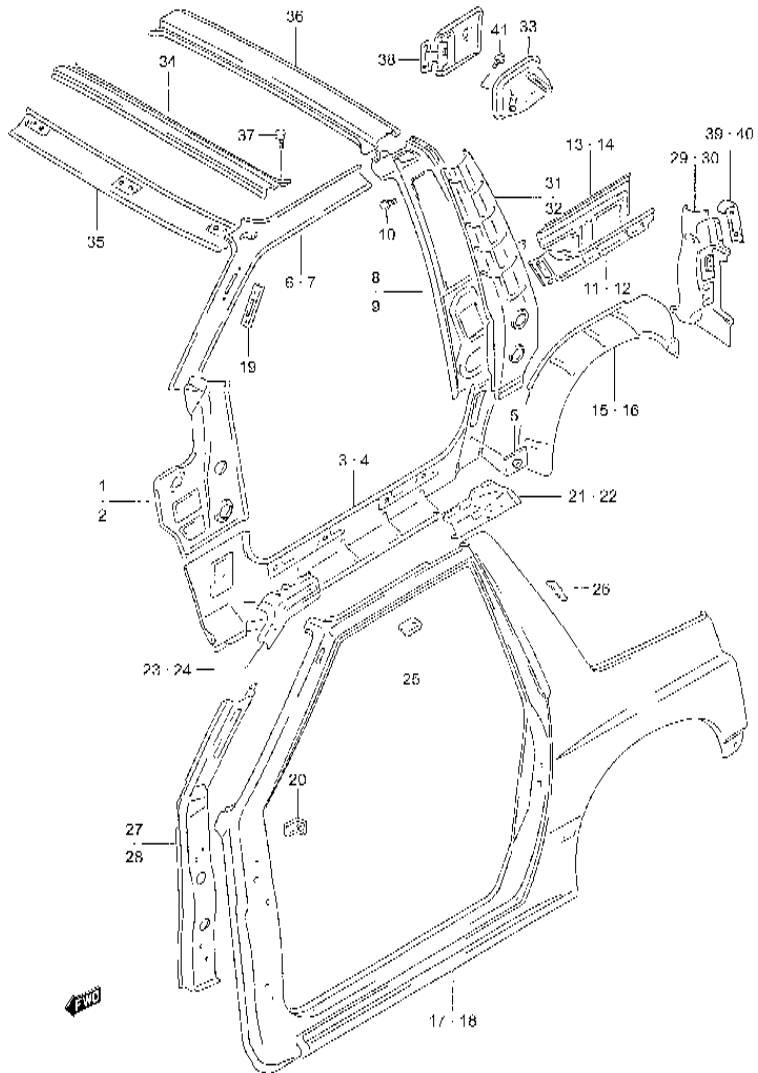
REF NO.	PART NO.	DESCRIPTION	QTY		REMARKS
			C	V	
1	61400-57B71	PANEL ASSY, FRONT FLOOR	-	1	
2	61440-60A00	.BRACKET, JACK	-	1	
3	61450-56B00	.MEMBER, FRONT SEAT RH	-	1	
4	61550-56B00	.MEMBER, FRONT SEAT LH	-	1	
5	61641-60A10	.REINF, SEAT BELT CENTER	-	1	
6	61700-56B10	PANEL ASSY, CENTER FLOOR	-	1	
7	61760-56B00	PANEL, CENT. FLOOR FRONT	-	1	
8	62111-56B20	PANEL, RR FLOOR	-	1	
9	62120-56B00	MEMBER, RR FLOOR NO.1	-	1	
10	62131-56B00	MEMBER, RR FLOOR NO.2	-	1	
11	62141-56B00	MEMBER, RR FLOOR NO.3	-	1	
12	62210-56B10	PANEL, RR WHEEL HOUSING IN.RH	-	1	
13	62310-56B00	PANEL, RR WHEEL HOUSING IN. LH	-	1	
14	62510-57B21	MEMBER, RR FLOOR TAIL	-	1	
15	65971-77E00	CAP, RR FLOOR	-	2	

6

SE419TD (RHD)



FIG.147A



6

FIG.147A SIDE BODY (C)

REF NO.	PART NO.	DESCRIPTION	QTY		REMARKS
			C	V	
1	61480-57B10	PANEL, FRONT PILLAR INNER RH	1	-	
2	61580-57B10	PANEL, FRONT PILLAR INNER LH	1	-	
3	61490-60A00	PANEL, SILL SIDE INNER RH	1	-	
4	61590-60A00	PANEL, SILL SIDE INNER LH	1	-	
5	61492-80000	.REINF, SEAT BELT LOWER	1	-	
6	63111-60A10	PANEL, ROOF SIDE INNER RH	1	-	
7	63511-60A10	PANEL, ROOF SIDE INNER LH	1	-	
8	63210-62A20	PANEL, CENTER PILLAR INNER RH	1	-	
9	63610-62A20	PANEL CENTER PILLAR INNER LH	1	-	
10	03141-04083	SCREW, SEAT BELT REINF	8	-	
11	63221E60A10	REINF, RR QTR INNER RH	1	-	
12	63621E60A10	REINF, RR QTR INNER LH	1	-	
13	63310C60A10	PANEL, RR QTR INNER RH	1	-	
14	63710C60A10	PANEL, RR QTR INNER LH	1	-	
15	63410-60A00	PANEL, WHEEL HOUSE OUTER RH	1	-	
16	63811-60A00	PANEL, WHEEL HOUSE OUTER LH	1	-	
17	64100-85C80	PANEL, SIDE BODY OUTER RH	1	-	
18	64500-85C80	PANEL, SIDE BODY OUTER LH	1	-	
19	64151-60A00	REINF, RADIO ANTENA	1	-	
20	64214-60A00	BRACKET, COWL SIDE GARNISH	1	-	
21	64215-60A02	EXTENSION, SIDE BODY RH	1	-	
22	64515-60A02	EXTENSION, SIDE BODY LH	1	-	
23	64216-60A00	REINF, FR PILLAR UPPER RH	1	-	
24	64516-60A00	REINF, FR PILLAR UPPER LH	1	-	
25	64417-60A00	REINF, SOFT TOP HINGE	1	-	
26	64218-60A00	REINF, SOFT TOP SIDE	2	-	
27	64120-60A10	REINF, FR PILLAR RH	1	-	
28	64520-60A10	REINF, FR PILLAR LH	1	-	
29	64310-60A00	PANEL, RR PILLAR OUTER RH	1	-	
30	64710-60A10	PANEL, RR PILLAR OUTER LH	1	-	

SE419TD (RHD)

FIG.147A

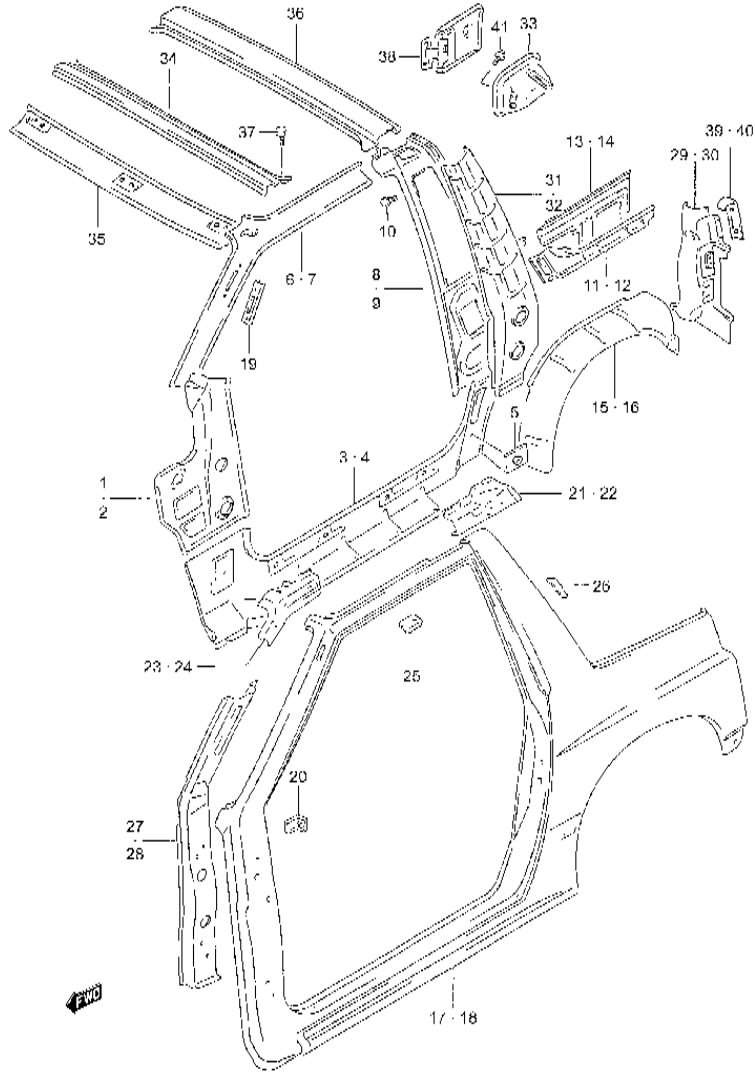
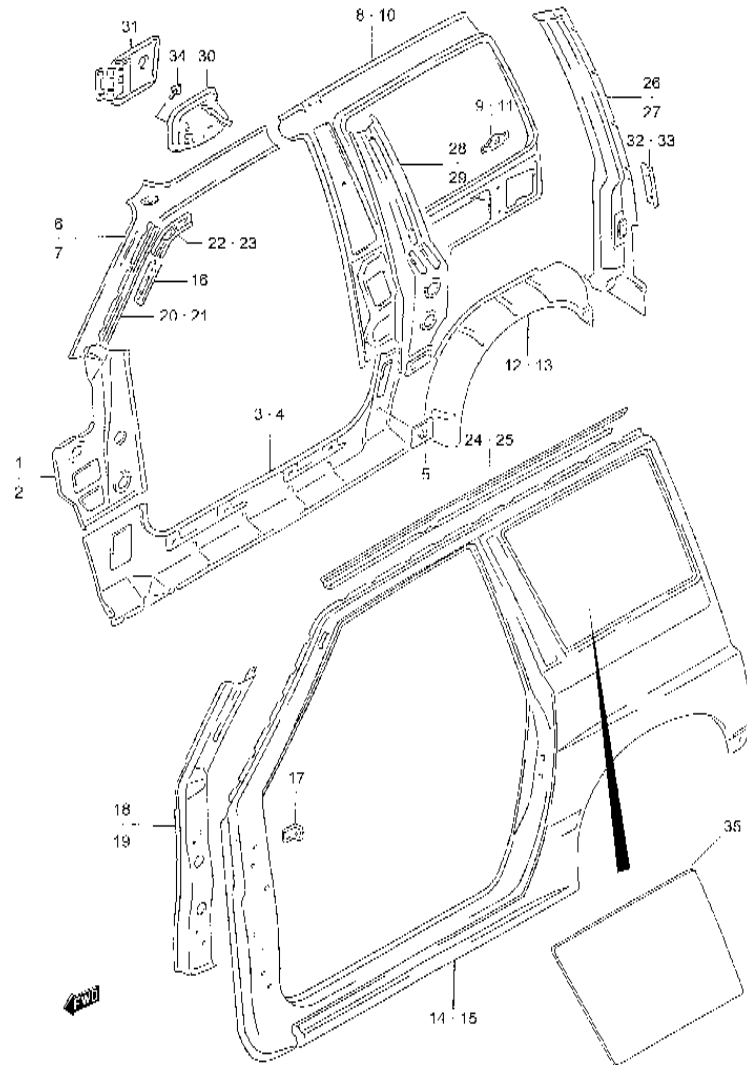


FIG.147A SIDE BODY (C)

REF NO.	PART NO.	DESCRIPTION	QTY		REMARKS
			C	V	
31	64250-62A20	REINF, CENTER PILLAR RH	1	-	
32	64550-62A20	REINF, CENTER PILLAR LH	1	-	
33	64230-60A00	BOX, FUEL INLET	1	-	
34	65110-60A00	PANEL, FR PILLAR JOINT	1	-	
35	65115-60A00	PANEL, FR PILLAR JOINT INNER	1	-	
36	65120-60A10	PANEL, CENTER PILLAR JOINT	1	-	
37	01550-06123	BOLT	2	-	
38	65950-60A00	LID, FUEL INLET	1	-	
39	65965-60A00	GARNISH, RR PILLAR RH	1	-	
40	65966-60A00	GARNISH, RR PILLAR LH	1	-	
41	02112-05123	SCREW	2	-	

FIG. 148A



6

FIG.148A SIDE BODY (V, 3DR)

REF NO.	PART NO.	DESCRIPTION	QTY		REMARKS
			C	V	
1	61480-57B10	PANEL, FR PILLAR INNER RH	-	1	
2	61580-57B10	PANEL, FR PILLAR INNER LH	-	1	
3	61490-60A00	PANEL, SILL SIDE INNER RH	-	1	
4	61590-60A00	PANEL, SILL SIDE INNER LH	-	1	
5	61492-80000	.REINF, SEAT BELT LOWER	-	2	
6	63111-61A30	PANEL, ROOF SIDE INNER RH	-	1	
7	63511-61A30	PANEL, ROOF SIDE INNER LH	-	1	
8	63210-63A60	PANEL, SIDE BODY INNER RH	-	1	
9	63312-56B00	.REINF RETRACTOR RH	-	1	
10	63610-63A60	PANEL, SIDE BODY INNER LH	-	1	
11	63712-56B00	.REINF RETRACTOR LH	-	1	
12	63410-60A00	PANEL, WHEEL HOUSE OUTER RH	-	1	
13	63811-60A00	PANEL, WHEEL HOUSE OUTER LH	-	1	
14	64111-61A30	PANEL, SIDE BODY OUTER RH	-	1	
15	64511-61A10	PANEL, SIDE BODY OUTER LH	-	1	
16	64151-60A00	REINF, RADIO ANTENNA	-	1	
17	64214-60A00	BRACKET, COWL SIDE GARNISH	-	2	
18	64120-60A10	REINF, FR PILLAR RH	-	1	
19	64520-60A10	REINF, FR PILLAR LH	-	1	
20	64130-61A00	PANEL, FR WINDOW SIDE RH	-	1	
21	64530-61A00	PANEL, FR WINDOW SIDE LH	-	1	
22	64141-61A00	REINF, FR PILLAR UPPER RH	-	1	
23	64541-61A00	REINF, FR PILLAR UPPER LH	-	1	
24	64241-61A00	RAIL, ROOF SIDE OUTER RH	-	1	
25	64641-61A00	RAIL, ROOF SIDE OUTER LH	-	1	
26	64310-61A01	PANEL, BACK PILLAR OUTER RH	-	1	
27	64710-61A21	PANEL, BACK PILLAR OUTER LH	-	1	
28	64250-61A00	REINF, CENTER PILLAR RH	-	1	
29	64650-61A00	REINF, CENTER PILLAR LH	-	1	
30	64230-60A00	BOX, FUEL INLET	-	1	

SE419TD (RHD)

FIG. 148A

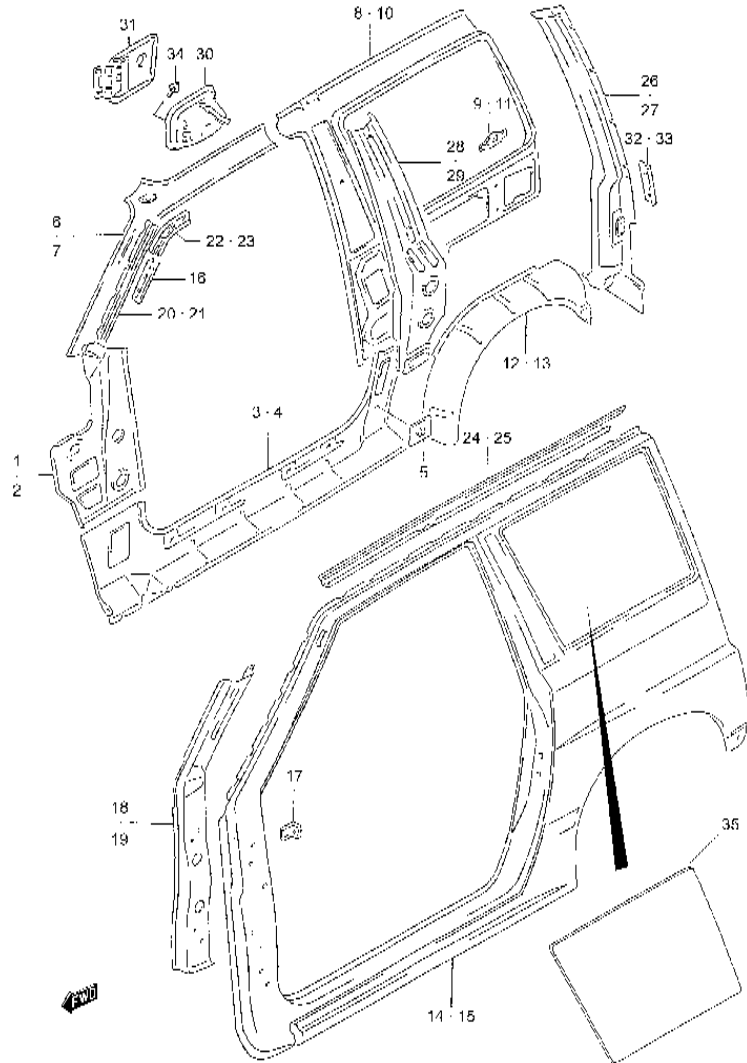


FIG.148A SIDE BODY (V, 3DR)

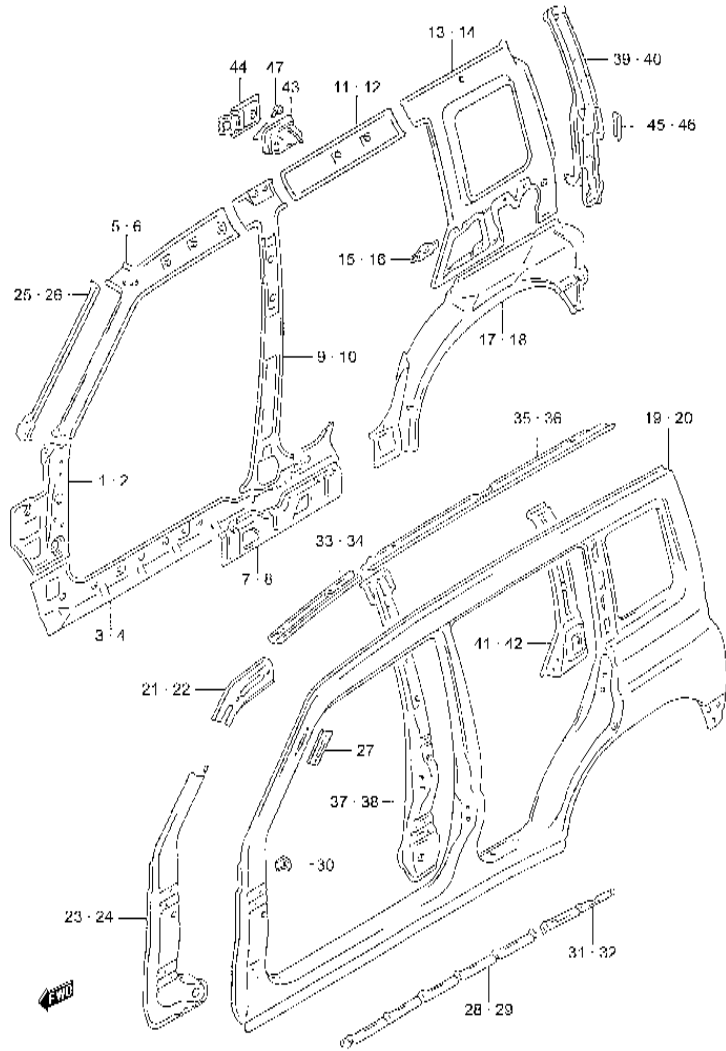
REF NO.	PART NO.	DESCRIPTION	QTY		REMARKS
			C	V	
31	65950-60A00	LID, FUEL INLET	-	1	
32	65965-61A00	GARNISH, BACK PILLAR RH	-	1	
33	65966-61A00	GARNISH, BACK PILLAR LH	-	1	
34	02112-05123	SCREW	-	2	
35-1	64112-85C00	PANEL, QTR WINDOW RH	-	1	
35-2	64512-85C00	PANEL, QTR WINDOW LH	-	1	

6

SE419TD (RHD)



FIG. 149A



6

FIG.149A SIDE BODY (V, 5DR)

REF NO.	PART NO.	DESCRIPTION	QTY		REMARKS
			C	V	
1	61480-57B10	PANEL, FR PILLAR INNER RH	-	1	
2	61580-86CA0	PANEL, FR PILLAR INNER LH	-	1	
3	61491-56B00	PANEL, SIDE SILL INNER RH	-	1	
4	61591-56B00	PANEL, SIDE SILL INNER LH	-	1	
5	63111-56B30	PANEL, ROOF SIDE INNER RH	-	1	
6	63511-56B30	PANEL, ROOF SIDE INNER LH	-	1	
7	63121-56B00	STRENGHT, SIDE SILL RH	-	1	
8	63521-56B00	STRENGHT, SIDE SILL LH	-	1	
9	63210-56B40	PANEL, CTR PILLAR INNER RH	-	1	
10	63610-56B40	PANEL, CTR PILLAR INNER LH	-	1	
11	63221-56B10	PANEL, ROOF SIDE INNER RR RH	-	1	
12	63621-56B10	PANEL, ROOF SIDE INNER RR LH	-	1	
13	63311-56B11	PANEL, RR QTR INNER RH	-	1	
14	63711-56B11	PANEL, RR QTR INNER LH	-	1	
15	63312-56B00	REINFORCEMENT, RETRACTOR RH	-	1	
16	63712-56B00	REINFORCEMENT, RETRACTOR LH	-	1	
17	63410-56B00	PANEL, RR WHEEL HSG OUTER RH	-	1	
18	63810-56B00	PANEL, RR WHEEL HSG OUTER LH	-	1	
19	64111-57B10	PANEL, SIDE BODY OUTER RH	-	1	
20	64511-57B20	PANEL, SIDE BODY OUTER LH	-	1	
21	64112-56B00	REINF, FR PILLAR UPPER RH	-	1	
22	64512-56B00	REINF, FR PILLAR UPPER LH	-	1	
23	64120-57B01	PANEL, FR PILLAR OUTER RH	-	1	
24	64520-57B01	PANEL, FR PILLAR OUTER LH	-	1	
25	64130-61A00	PANEL, FR WINDOW SIDE RH	-	1	
26	64530-61A00	PANEL, FR WINDOW SIDE LH	-	1	
27	64151-60A00	REINF, RADIO ANTENNA	-	1	
28	64211-56B00	BKT, SIDE SILL PROTECTOR FR	-	1	
29	64611-56B00	BKT, SIDE SILL PROTECTOR FR	-	1	
30	64214-60A00	BKT, COWL SIDE GARNISH RR	-	1	
31	64221-56B00	BKT, SIDE SILL PROTECTOR RH	-	1	

SE419TD (RHD)

FIG. 149A

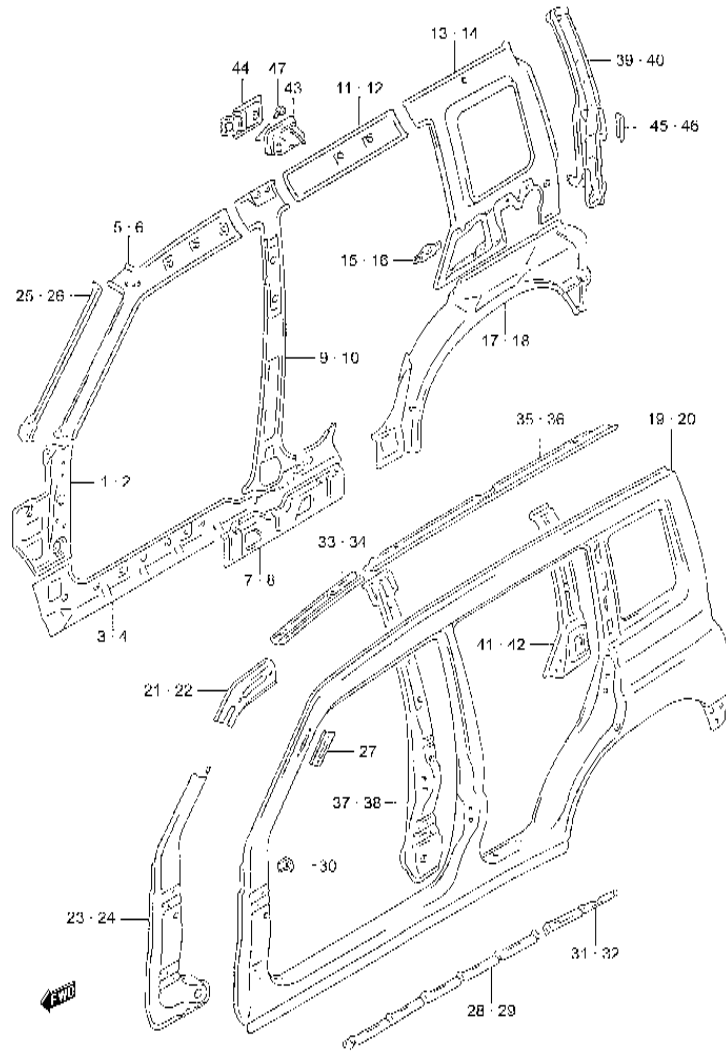


FIG.149A SIDE BODY (V, 5DR)

REF NO.	PART NO.	DESCRIPTION	QTY		REMARKS
			C	V	
32	64621-56B00	BKT, SIDE SILL PROTECTOR LH	-	1	
33	64231-56B10	RAIL, ROOF SIDE OUTER FR RH	-	1	
34	64631-56B10	RAIL, ROOF SIDE OUTER FR LH	-	1	
35	64241-56B10	RAIL, ROOF SIDE OUTER RR RH	-	1	
36	64641-56B10	RAIL, ROOF SIDE OUTER RR LH	-	1	
37	64250-56B01	REINF, CENTER PILLAR RH	-	1	
38	64650-56B01	REINF, CENTER PILLAR LH	-	1	
39	64310-56B01	PANEL, BACK PILLAR OUTER RH	-	1	
40	64710-56B11	PANEL, BACK PILLAR OUTER LH	-	1	
41	64360-56B00	REINF, RR PILLAR RH	-	1	
42	64760-56B00	REINF, RR PILLAR LH	-	1	
43	64370-56B10	BOX, FUEL INLET	-	1	
44	65950-56B10	LID, FUEL INLET	-	1	
45	65965-61A00	GARNISH, BACK PILLAR RH	-	1	
46	65966-61A00	GARNISH, BACK PILLAR LH	-	1	
47	02142-06103	SCREW	-	2	



FIG. 150A

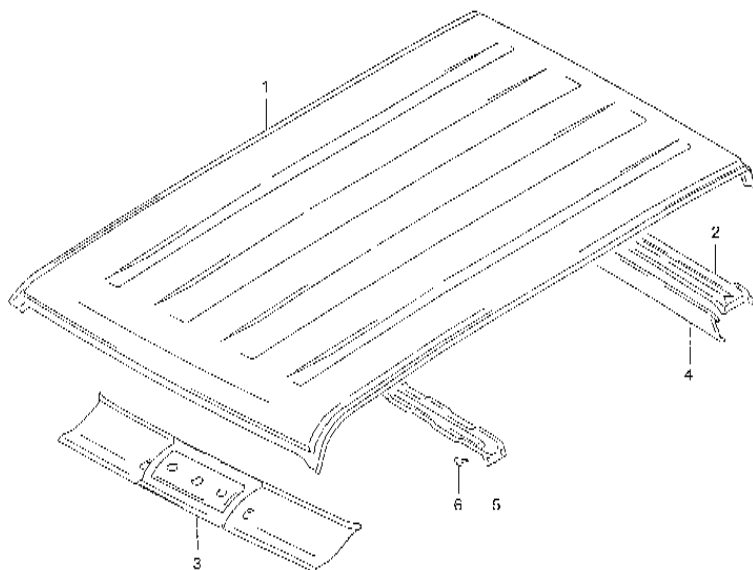


FIG.150A ROOF PANEL (V, 3DR)

REF NO.	PART NO.	DESCRIPTION	QTY		REMARKS
			C	V	
1	65111-61A10	PANEL, ROOF	-	1	
2	65120-61A00	EXTENSION, ROOF REAR	-	1	
3	65130-61A20	PANEL, ROOF FR INNER	-	1	
4	65141-61A20	PANEL, ROOF BACK INNER	-	1	
5	65132-61A10	REINF, ROOF PANEL	-	1	
6	01550-06123	SCREW, ROOF PANEL	-	4	

6



SE419TD (RHD)



FIG. 151A

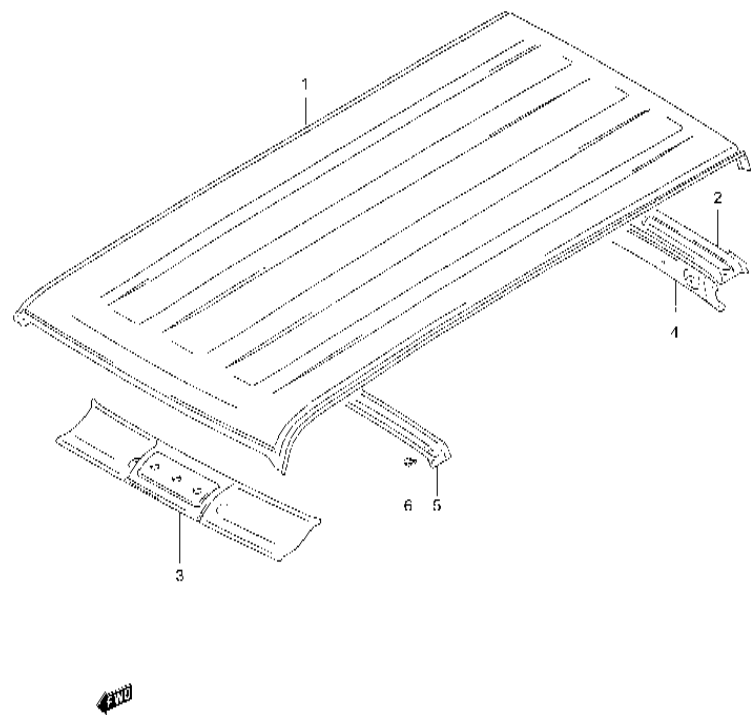


FIG.151A ROOF PANEL (V, 5DR)

REF NO.	PART NO.	DESCRIPTION	QTY		REMARKS
			C	V	
1	65111-56B00	PANEL ROOF	-	1	
2	65120-56B00	EXTENSION, ROOF REAR	-	1	
3	65130-61A20	PANEL, ROOF FR INNER	-	1	
4	65141-56B00	PANEL, ROOF BACK INNER	-	1	
5	65132-60A10	REINFORCEMENT, ROOF PANEL	-	1	
6	01550-06123	SCREW	-	4	

6

SE419TD (RHD)



FIG. 153A

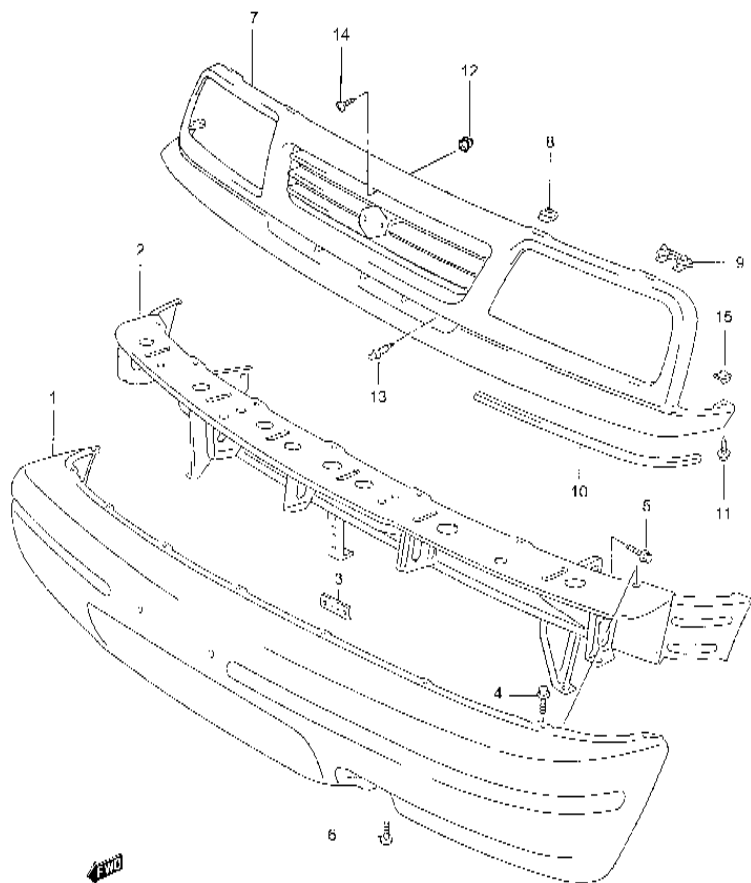


FIG.153A FRONT BUMPER AND GRILLE

REF NO.	PART NO.	DESCRIPTION	QTY		REMARKS
			C	V	
1	71700-56810-5PK	BUMPER FRONT	1	1	
2	71720-56B10	MEMBER ASSY, FR BUMPER	1	1	
3	71771-56B00	RETAINER, FR LICENSE PLATE	2	2	
4	59972-85C00	BOLT BUMPER	9	9	
5	01517-08123	BOLT, FR BUMPER MEMBER	4	4	
6	02142-06123	SCREW, FR BUMPER	4	4	
7	72111-56B11-799	GRILLE FRONT	1	1	PAINT TO MATCH
8	72115-56B01	CLIP, FRONT GRILLE	2	2	
9	72115-60A00	CLIP, FRONT GRILLE	2	2	
10	72121-56B00	SEAL, FRONT GRILLE	2	2	
11	59941-85C00	SCREW, FRONT GRILLE SIDE	2	2	
12	09148A05005	NUT, FRONT GRILLE	1	1	
13	09409-07313	CLIP, FR GRILLE	2	2	
14	03212-05255	SCREW, FR GRILLE CENTER	1	1	
15	59915-85C00	NUT, FR GRILLE SIDE	2	2	

6

SE419TD (RHD)

FIG.155A

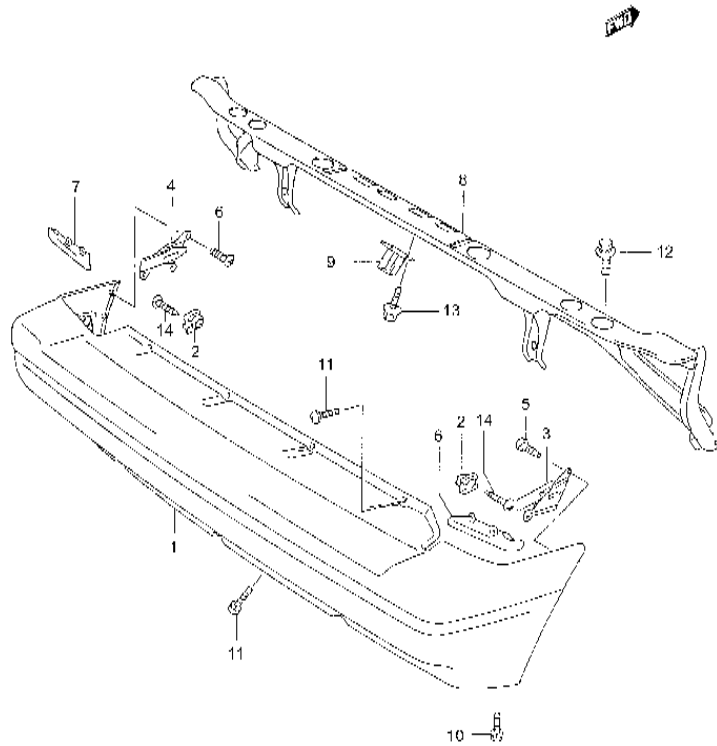


FIG.155A REAR BUMPER (3DR)

REF NO.	PART NO.	DESCRIPTION	QTY		REMARKS
			C	V	
1	71811-63A30-5PK	BAR, RR BUMPER	1	1	BLACK
2	71752-86000	SUPPORT, MEMBER SIDE	2	2	
3	71751-63A00	ATTACHMENT, BUMPER SIDE RH	1	1	
4	71752-63A00	ATTACHMENT, BUMPER SIDE LH	1	1	
5	03241-04103	SCREW, ATTACHMENT	6	6	
6	71815-60A01	SPACER, RR BUMPER SIDE RH	1	1	
7	71816-60A01	SPACER, RR BUMPER SIDE LH	1	1	
8	71820-63A11	MEMBER, RR BUMPER	1	1	
9	71854-60A00	STAY, RR BUMPER LOWER CENTER	1	1	
10	71869-60A00	BOLT, RR BUMPER	2	2	
11	09139-06052	SCREW, RR BUMPER	7	7	6X14
12	01500-08203	BOLT, RR BUMPER MEMBER	5	5	
13	01500-08203	BOLT, LOWER CENTER STAY	2	2	
14	03511-05123	SCREW, BUMPER SUPPORT	2	2	

FIG. 156A

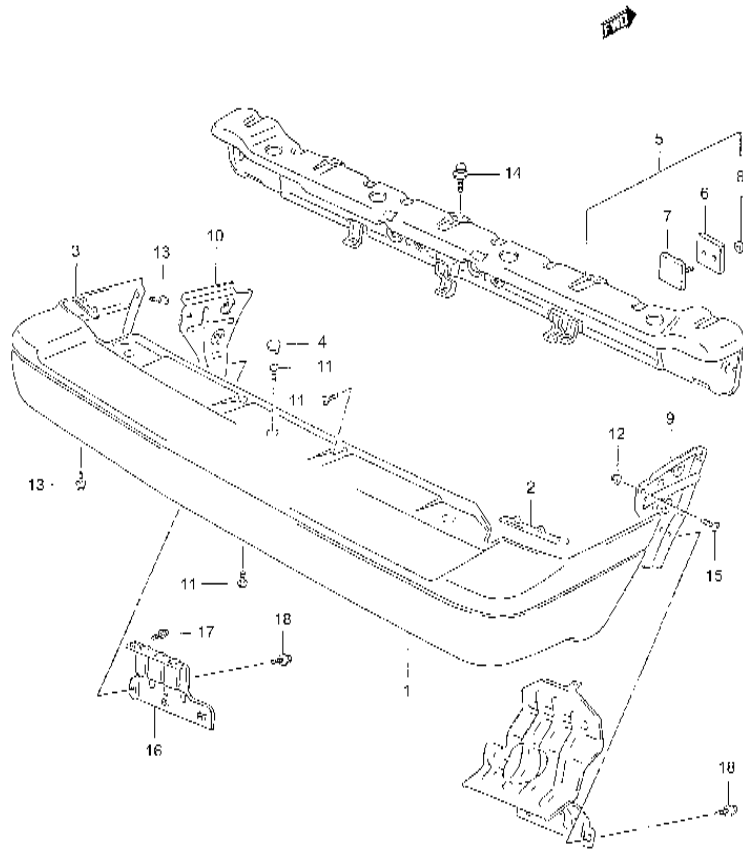


FIG.156A REAR BUMPER (5DR)

REF NO.	PART NO.	DESCRIPTION	QTY		REMARKS
			C	V	
1	71811-56B10-5PK	BUMPER, REAR	-	1	BLACK
2	71815-60A01	SPACER, RR BUMPER SIDE RH	-	1	
3	71816-60A01	SPACER, RR BUMPER SIDE LH	-	1	
4	71817-56B00-5PK	CAP, RR BUMPER	-	3	BLACK
5	71820-56B21	MEMBER, RR BUMPER	-	1	
6	71827-56B10	.WEIGHT, NO.1	-	2	
7	71828-56B10	.WEIGHT, NO.2	-	2	
8	08310-00083	.NUT, RR BUMPER WEIGHT	-	4	
9	71830-56B00	BRACKET, RR BUMPER SIDE RH	-	1	
10	71840-56B00	BRACKET, RR BUMPER SIDE LH	-	1	
11	09139-06052	SCREW, RR BUMPER	-	8	6X14
12	59981-85C00	NUT, RR BUMPER SIDE BRACKET	-	6	
13	01550-06123	BOLT, RR BUMPER SIDE	-	4	
14	01500-08203	BOLT, RR BUMPER MEMBER	-	5	
15	03241-16163	SCREW, RR BUMPER SIDE BRACKET	-	6	
16	72281-56B00	STAY, RR MUD FLAP LH	-	1	
17	51791-85C00	SCREW, MUD FLAP STAY	-	2	
18	02162-06163	SCREW, BUMPER MEMBER	-	2	

SE419TD (RHD)



FIG. 159A

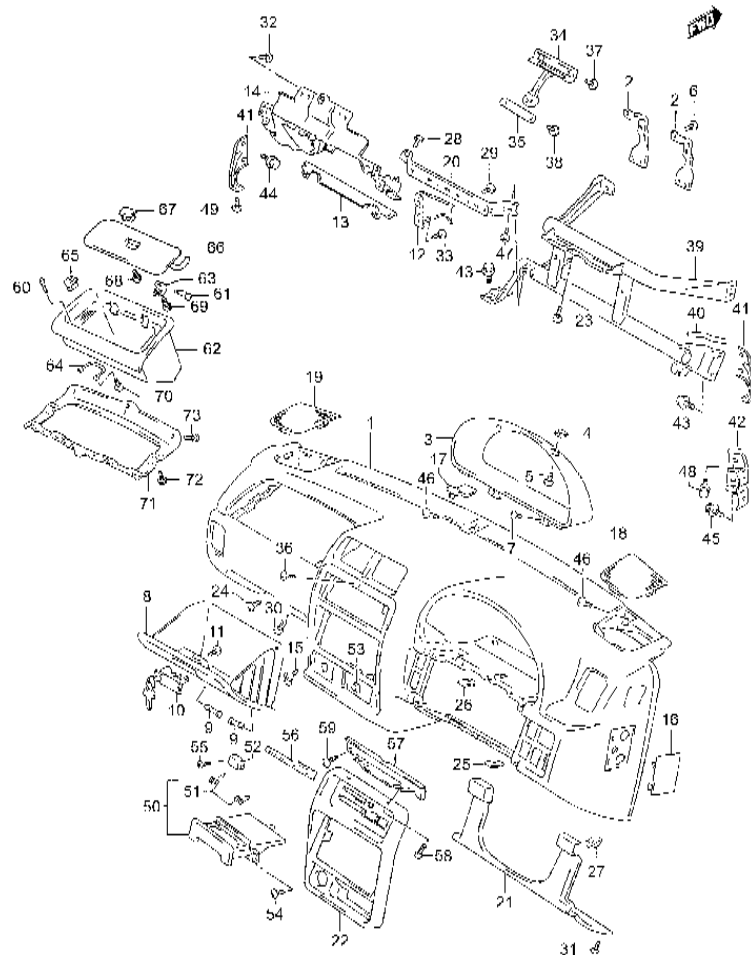


FIG.159A INSTRUMENT PANEL

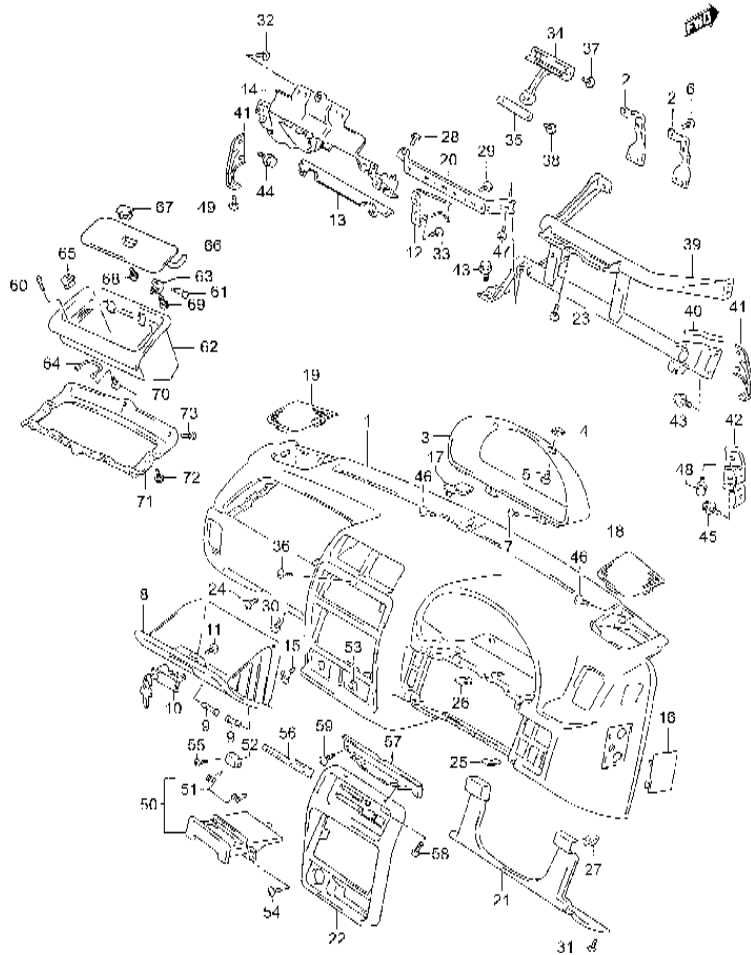
REF NO.	PART NO.	DESCRIPTION	QTY		REMARKS
			C	V	
1	73111-77E02-T01	PANEL INSTRUMENT	1	1	GRAY
2	73261-60G00	STAY, SPEEDOMETER	2	2	
3	73311-77E00-5PK	GARNISH, METER CLUSTER	1	1	BLACK
4	59916-85C00	NUT, METER GARNISH UPPER	2	2	
5	03141-05128	SCREW, METER GARNISH UPPER	2	2	
6	03541-05163	SCREW, SPEEDOMETER STAY	4	4	
7	03541-05163	SCREW, METER GARNISH LOWER	2	2	
8	73410-77E00-T01	BOX ASSY, GLOVE	1	1	GRAY
9	73423-50G00	PIN, GLOVE BOX HINGE	2	2	
10	73430-77E00-T01	LOCK, GLOVE BOX	1	1	GRAY
11	73419-50G00	SCREW, GLOVE BOX LOCK	2	2	
12	73231-77E00	BRACKET RADIO	1	1	
13	73242-77E00	HOLDER, ASSISTANT CENTER	1	1	
14	73250-77E01	PLATE, KNEE BOLSTER	1	1	
15	73461-77E00	CUSHION, GLOVE BOX DOOR SIDE	2	2	
16	73811-77E00-T01	CAP, SIDE	2	2	GRAY
17	73813-77E00-T01	CAP, UPPER CENTER	1	1	GRAY
18	73821-77E00-T01	COVER, SPEAKER RH	1	1	GRAY
19	73822-77E00-T01	COVER, SPEAKER LH	1	1	GRAY
20	73861-77E00	BRACKET, STEERING SUPPORT CTR	1	1	
21	73871-77E00-T01	COVER, COLUMN HOLE	1	1	GRAY
22	73841-78E00-5PK	GARNISH, CENTER	1	1	GRAY
23	02142-06163	SCREW, INSTRUMENT CENTER	1	1	
24	02142-06163	SCREW, ASSISTANT CTR HOLDER	2	2	
25	59916-85C00	NUT, COLUMN HOLE COVER	4	4	
26	09148-06014	NUT, INSTRUMENT CENTER	1	1	
27	09409-08326	CLIP, COLUMN HOLE COVER	2	2	
28	02112-05123	SCREW, KNEE BOLSTER PANEL	1	1	
29	02112-05123	SCREW, RADIO BRACKET	1	1	
30	02142-05123	SCREW, KNEE BOLSTER PLATE NO.2	2	2	
31	03141-05128	SCREW, COLUMN HOLE COVER	4	4	
32	03541-05163	SCREW, KNEE BOLSTER PLATE NO.1	6	6	

6

SE419TD (RHD)



FIG. 159A



6

FIG.159A INSTRUMENT PANEL

REF NO.	PART NO.	DESCRIPTION	QTY		REMARKS
			C	V	
33	03541-05163	SCREW, RADIO BRACKET NO.1	2	2	
34	73880-77E00	REINF, INSTRUMENT CTR UPPER	1	1	
35	73892-77E00	REINF, INSTRUMENT CTR LOWER	1	1	
36	03141-05128	SCREW, CTR REINF LOWER	1	1	
37	03541-05163	SCREW, CTR REINF UPPER	4	4	
38	03541-05163	SCREW, INSTRUMENT CTR REINF	2	2	
39	75930-77E20	HOLDER, INSTRUMENT PANEL	1	1	
40	75958-77E00	PROTECTOR, NO.3	1	1	
41-1	76431-77E21	HOLDER, ASSISTANT OUTER RH	1	1	
41-2	76431-77E01	HOLDER, ASSISTANT OUTER LH	1	1	
42	76451-56B01	REINF, COWL BOX SIDE	2	2	
43	09100-08294	BOLT, HOLDER	5	5	8X13
44	09100-08294	BOLT, HOLDER OUTER	2	2	8X13
45	09100-08294	BOLT, REINF SIDE	4	4	8X13
46	02142-06163	SCREW, UPPER	3	3	
47	02142-06163	SCREW, HOLDER LOWER	1	1	
48	02162-06163	SCREW, SIDE REINF	4	4	
49	09139-06099	SCREW, LOWER	2	2	
50	89810-50G00-5PK	ASHTRAY, FRONT	1	1	BLACK
51	89813-60E00	.SPRING, PROTECTOR	1	1	
52	89819-60E01	HOLDER, ASHTRAY LAMP	1	1	
53	59916-85C00	NUT, FRONT ASHTRAY	2	2	
54	03141-05128	SCREW, FRONT ASHTRAY	2	2	
55	03541-04163	SCREW, LAMP HOLDER	1	1	
56	74515-63G00	PLATE, INDICATOR	1	1	
57	73845-78E00	BRACKET, CENTER GARNISH	1	1	
58	03111-05103	SCREW, CTR GARNISH	2	2	
59	03511-05163	SCREW, CTR GARNISH BRACKET	2	2	
60	73413-82C00	CUSHION, GLOVE BOX LID	2	2	

SE419TD (RHD)

FIG. 159A

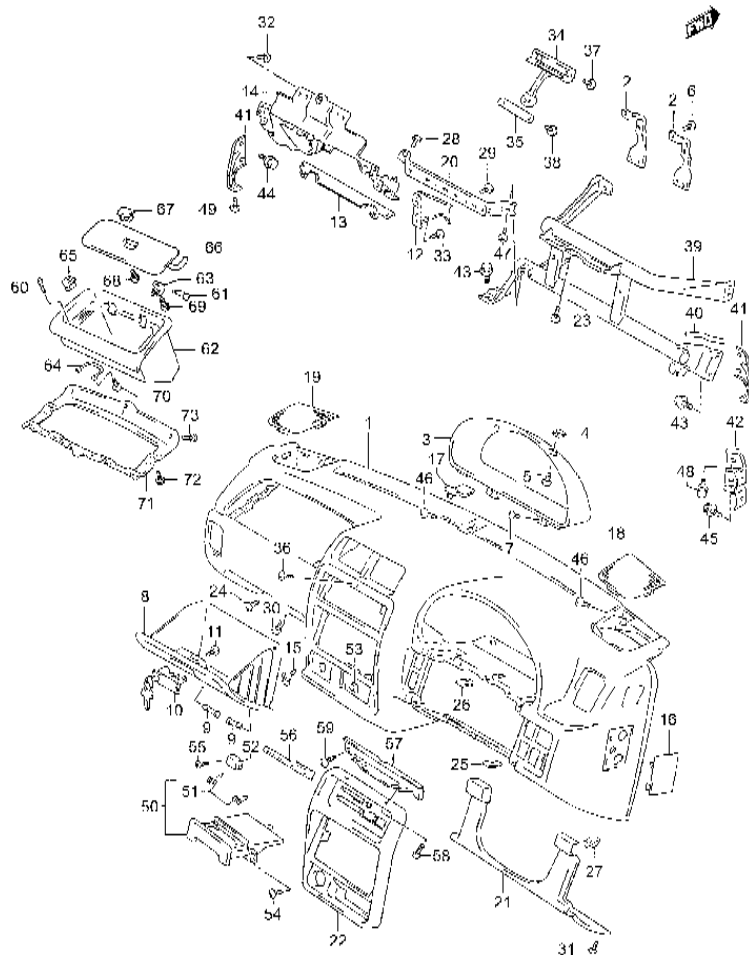


FIG.159A INSTRUMENT PANEL

REF NO.	PART NO.	DESCRIPTION	QTY		REMARKS
			C	V	
61	73423-50G00	PIN, GLOVE BOX HINGE	2	2	
62	73921-77E40-T01	BOX, INSTRUMENT PANEL	1	1	GRAY
63	73922-77E40-T01	HINGE, I/P BOX LID	2	2	GRAY
64	73923-77E40	STRIKER, I/P BOX	1	1	
65	73924-77E40-T01	CLIP, I/P BOX LID	2	2	GRAY
66	73930-77E40-T01	LID, I/P BOX	1	1	GRAY
67	73940-77E40-T01	LOCK, I/P BOX LID	1	1	
68	02122-04163	SCREW	2	2	
69	03541-05163	SCREW	2	2	
70	03541-05163	SCREW	2	2	
71	73927-77E40	REINF, I/P TRAY	1	1	
72	03541-05163	SCREW	3	3	
73	03541-05203	SCREW	12	12	

FIG. 161A

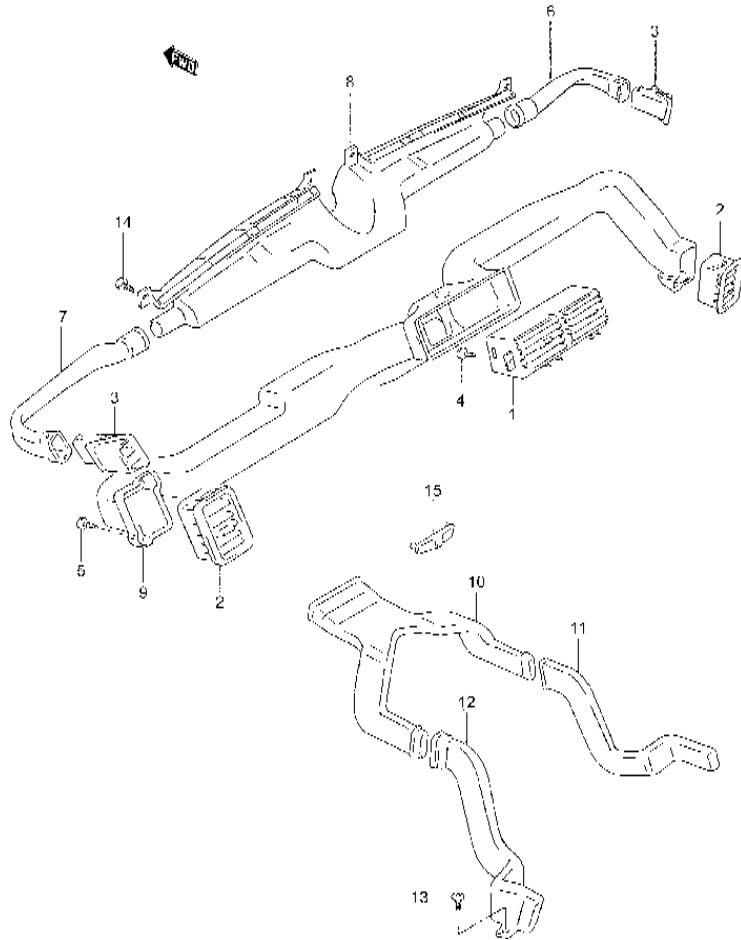


FIG.161A VENTILATOR

REF NO.	PART NO.	DESCRIPTION	QTY		REMARKS
			C	V	
1	73610-77E00-T01	LOUVER, CTR VENT	1	1	GRAY
2	73620-77E00-T01	LOUVER, SIDE VENT.	2	2	GRAY
3	73671-83000-T01	NOZZLE, SIDE DEMISTER	2	2	GRAY
4	03541-05163	SCREW, CTR VENT	2	2	
5	03541-05163	SCREW, SIDE VENT	2	2	
6	73681-77E00	DUCT, DEMISTER RH	1	1	
7	73691-77E00	DUCT, DEMISTER LH	1	1	
8	74615-60A00	DUCT, DEFROSTER	1	1	
9	74621-77E00	DUCT, VENTILATOR	1	1	
10	74631-60A10	DUCT, REAR	-	1	5DR
11	74632-60A00	HOSE, REAR RH	-	1	5DR
12	74633-60A00	HOSE, REAR LH	-	1	5DR
13	03141-05128	SCREW, RR DUCT	-	1	5DR
14	03541-05163	SCREW, DEFROSTER DUCT	4	4	
15	74911-64A00	CAP, HEATER	1	1	3DR

6

SE419TD (RHD)



FIG. 163B

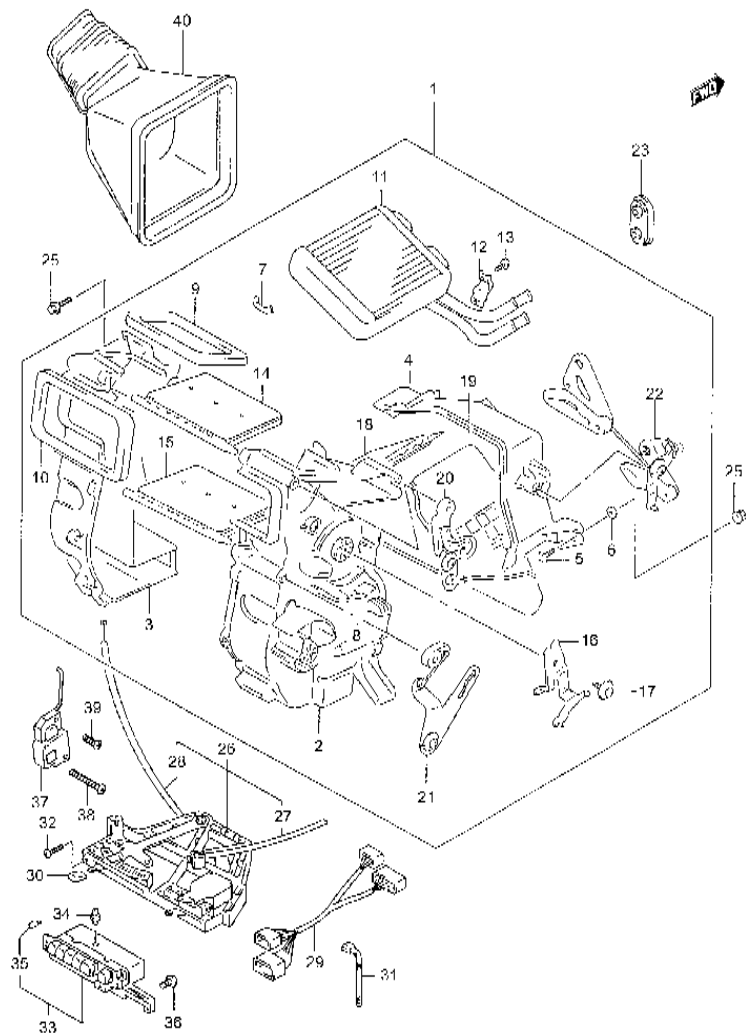


FIG.163B HEATER

REF NO.	PART NO.	DESCRIPTION	QTY		REMARKS
			C	V	
1	74100-64A21	HEATER ASSY	1	1	
2	74111-64A21	.CASE HEATER	1	1	
3	74112-64A20	.CASE HEATER	1	1	
4	74113-60A00	.CASE HEATER	1	1	
5	74115-64A00	.BOLT	2	2	
6	74116-60A00	.PACKING	2	2	
7	74133-82000	.CLAMP, CASE	12	12	
8	74151-70D01	.CLAMP, CONTROL WIRE	1	1	
9	74161-61A10	.PACKING	1	1	
10	74162-60A10	.PACKING	1	1	
11	74120-64A00	.UNIT, RADIATOR	1	1	
12	74199-60A00	.CLAMP	1	1	
13	03111-05123	.SCREW	2	2	
14	74171-60A00	.DUMPER	1	1	
15	74172-64A00	.DUMPER	1	1	
16	74176-64A01	.LEVER CONTROL	1	1	
17	74183-82005	.SCREW, LINK	6	6	
18	74173-60A10	.DUMPER	1	1	
19	74174-60A00	.DUMPER	1	1	
20	74170-64A00	.LEVER ASSY, VENT	1	1	
21	74180-64A00	.LEVER ASSY, HEAT	1	1	
22	74190-64A00	.LEVER ASSY, TEMP	1	1	
23	74812-82010	GROMMET, HEATER	1	1	
24	01550-06123	BOLT	2	2	
25	08310-00083	NUT	2	2	
26	74400-78E40	LEVER ASSY, HTR CONTROL	1	1	
27	74452-78E00	.CABLE, TEMP CONTROL	1	1	L:515
28	74453-85C60	.CABLE, FRESH AIR CONTROL	1	1	L:855
29	74436-78E01	HARNESS, MODE CONTROL SWITCH	1	1	
30	74461-78E00-5PK	KNOB, CONTROL LEVER	3	3	BLACK
31	36990-85C10	CLAMP, FAN SWITCH HARNESS	1	1	



SE419TD (RHD)

FIG. 163B

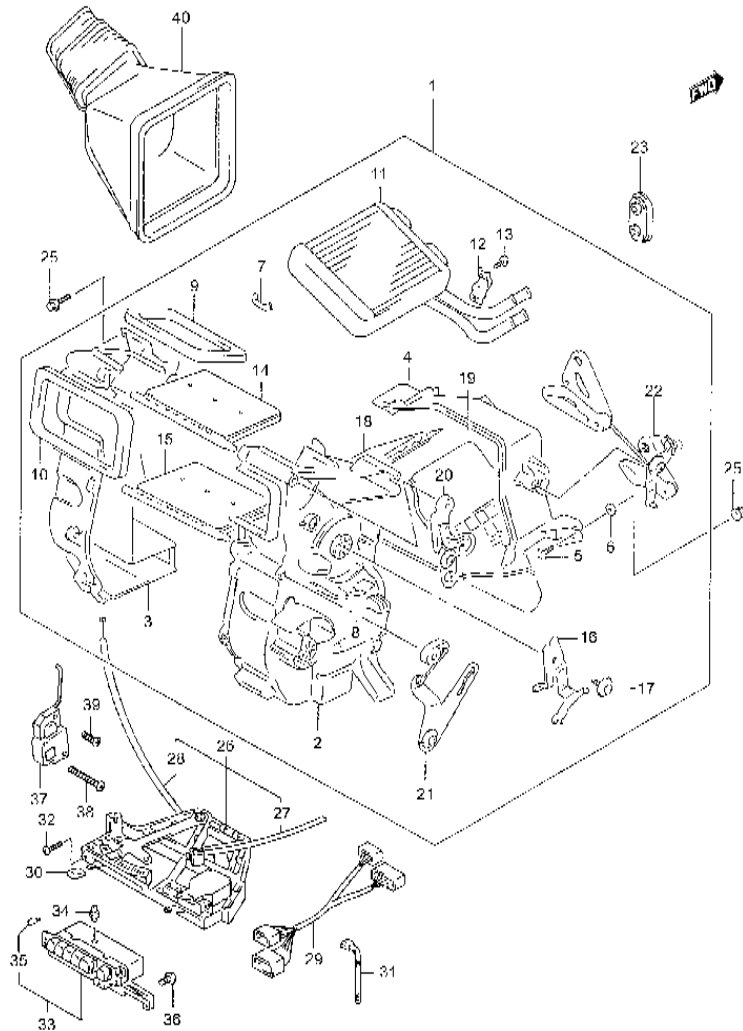


FIG.163B HEATER

REF NO.	PART NO.	DESCRIPTION	QTY		REMARKS
			C	V	
32	03511-05163	SCREW, LEVER	2	2	
33-1	74510-63G01-5PK	SWITCH, MODE CONTROL	1	1	BLACK
33-2	74510-63G11-5PK	SWITCH, MODE CONTROL	1	1	BLACK
34	74513-63G00	.BULB	1	1	0.7W
35	74514-63G00	.BULB	1	1	0.6W
36	03511-05163	SCREW, SWITCH	2	2	
37	95653-78E00	ACTUATOR MODE	1	1	
38	95911-63G00	SCREW	1	1	
39	03111-04253	SCREW	1	1	
40	74620-60A00	DUCT, HEATER	1	1	N/AIR CON

SE419TD (RHD)

FIG. 166A

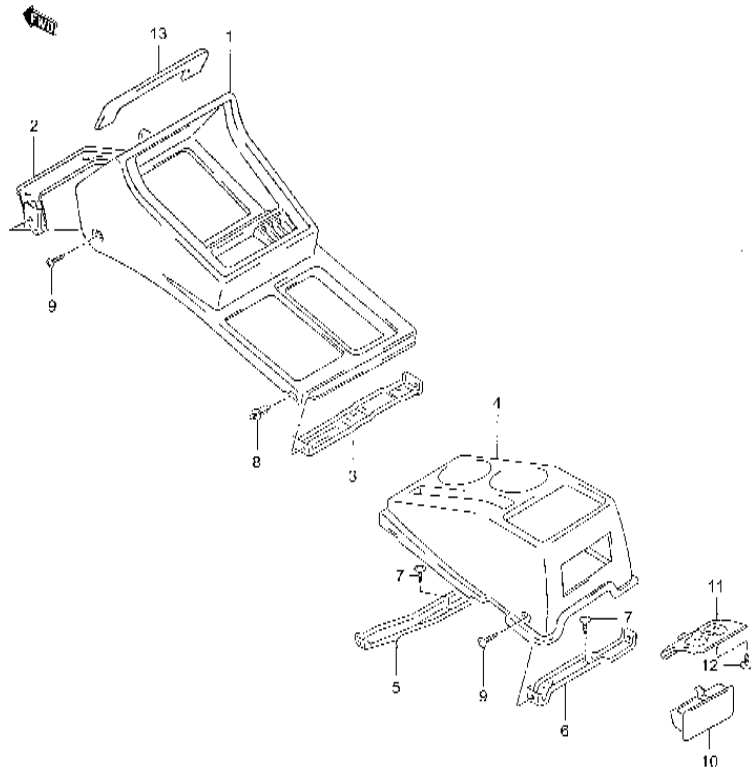


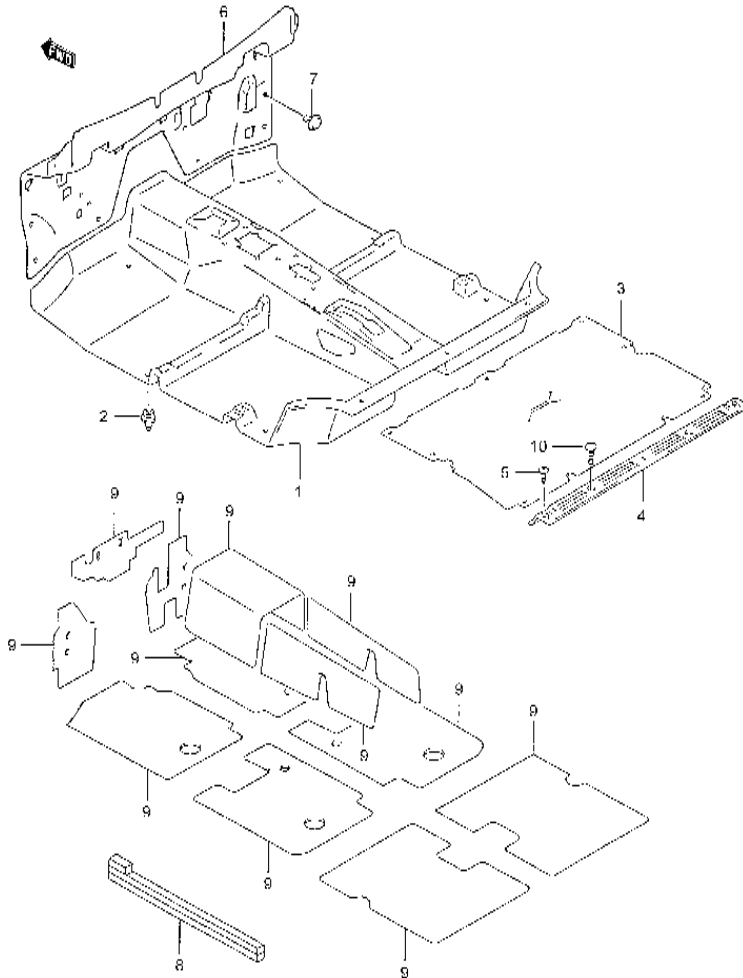
FIG.166A CONSOLE BOX

REF NO.	PART NO.	DESCRIPTION	QTY		REMARKS
			C	V	
1	73911-62A20-T01	BOX, CTR CONSOLE FR	1	1	GRAY
2	73931-60A00	BRACKET, CONSOLE FR NO.1	1	1	
3	73932-60A10	BRACKET, CONSOLE FR NO.2	1	1	
4	73921-79E00-T01	BOX, CTR CONSOLE RR	-	1	5DR, GRAY
5	73933-56B00	BRACKET, CONSOLE RR NO.1	-	1	5DR
6	73934-60A00	BRACKET, CONSOLE RR NO.2	-	1	5DR
7	03241-06123	SCREW, RR BRACKET	-	2	5DR
8-1	09409-06314-T01	CLIP, CONSOLE	2	2	3DR, GRAY
8-2	09409-06314-T01	CLIP, CONSOLE	-	4	5DR, GRAY
9-1	03241-05125	SCREW, CONSOLE	2	2	3DR
9-2	03241-05125	SCREW, CONSOLE	-	4	5DR
10	89820-56B00-T01	ASHTRAY, REAR	-	1	5DR, GRAY
11	73923-56B00	GUIDE, ASHTRAY	-	1	5DR
12	03541-05163	SCREW, GUIDE	-	2	5DR
13	73915-60A00	CUSHION, CTR CONSOLE	1	1	

6

SE419TD (RHD)

FIG.167A



6

FIG.167A FLOOR CARPET (3DR)

REF NO.	PART NO.	DESCRIPTION	QTY		REMARKS
			C	V	
1	75160-85C09-T19	CARPET, FR FLOOR	1	1	GRAY
2	59991-85C00	MALE, CARPET HOOK	11	11	
3	75180-85C00	CARPET, RR FLOOR	1	-	
4	75191-60A00	GARNISH, LUGGAGE MAT END	1	-	
5	00063-85C00	SCREW, GARNISH	4	-	
6	56210-86CB0	SILENCER, DASH PANEL	1	1	
7	59933-85C00	CLIP, DASH SILENCER	11	11	
8	75221-77E00	SILENCER, FRAME UPPER	2	2	
9	99611-60A00	SHEET, SILENCER	AR	AR	800X1000X3, CUT AS REQUIRED
10	09409-10302	CLIP, GARNISH	2	-	

SE419TD (RHD)

FIG. 168A

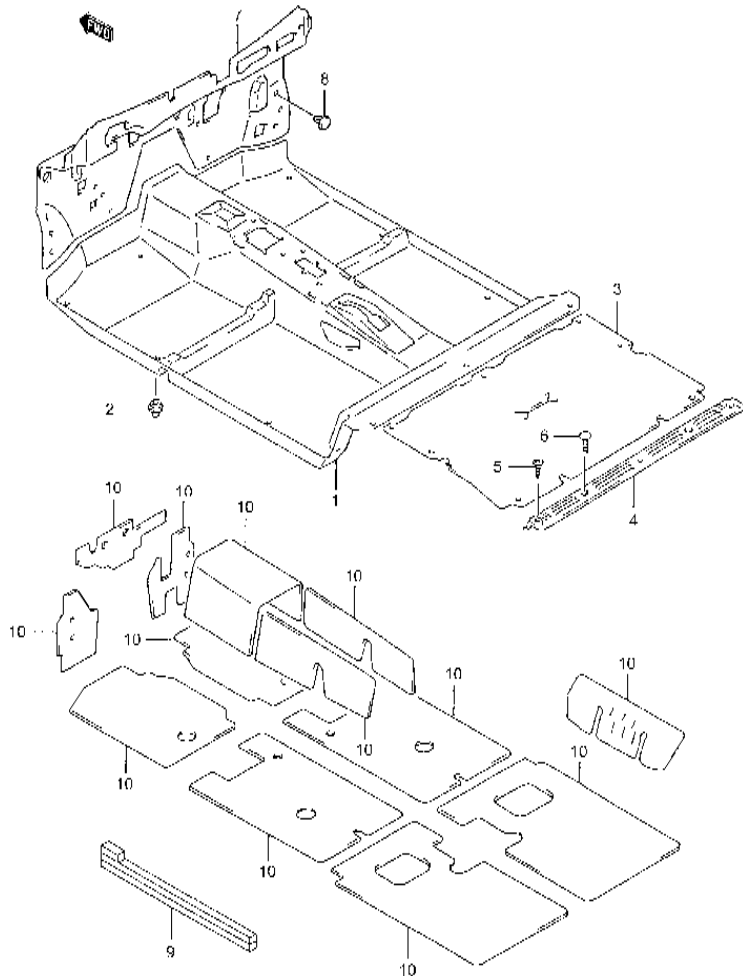


FIG.168A FLOOR CARPET (5DR)

REF NO.	PART NO.	DESCRIPTION	QTY		REMARKS
			C	V	
1	75160-57B30-T19	CARPET, FR FLOOR	-	1	GRAY
2	59991-85C00	MALE, CARPET HOOK	-	11	
3	75180-56B00-T19	CARPET, RR FLOOR	-	1	GRAY
4	75191-56B20	GARNISH, LUGGAGE MAT END	-	1	
5	00063-85C00	SCREW, GARNISH	-	3	L:16
6	09409A10303-5PK	CLIP	-	2	BLACK
7	56210-86CB0	SILENCER, DASH PANEL	-	1	
8	59933-85C00	CLIP, DASH PANEL	-	11	
9	75221-77E00	SILENCER, FRAME UPPER	-	2	
10	99611-60A00	SHEET, SILENCER	-	AR	800X1000X3, CUT AS REQUIRED



FIG. 169A

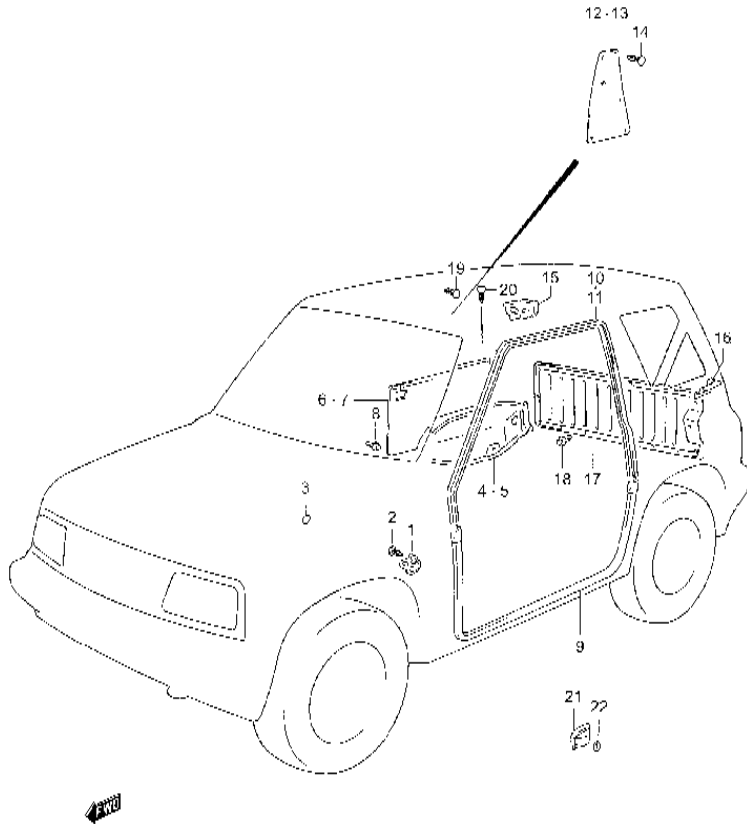


FIG.169A INTERIOR TRIM (C, 3DR)

REF NO.	PART NO.	DESCRIPTION	QTY		REMARKS
			C	V	
1	36635-60A00-T01	PROTECTOR, FLOOR HARNESS	1	-	
2	09409-07318-T01	CLIP, PROTECTOR	1	-	GRAY
3	72115-85C00	SEAL, TRIM HOLE	8	-	140X190
4	75140-60A10-T02	TRIM, RR WHEEL HSG RH	1	-	GRAY
5	75150-60A10-T02	TRIM, RR WHEEL HSG LH	1	-	GRAY
6	76110-66A40-T02	TRIM, RR SIDE INR RH	1	-	GRAY
7	76120-66A90-T02	TRIM, RR SIDE INR LH	1	-	GRAY
8	09409-08320	CLIP, TRIM	16	-	
9	76240-78E00-5PK	TRIM, FR DOOR OPENING	2	-	BLACK
10	76242-78E00-5PK	WEATHERSTRIP, DOOR INR RH	1	-	BLACK
11	76247-78E00-5PK	WEATHERSTRIP, DOOR INR LH	1	-	BLACK
12	76311-62A20-6GS	TRIM, CTR PILLAR RH	1	-	GRAY
13	76321-62A20-6GS	TRIM, CTR PILLAR LH	1	-	GRAY
14	09409A10303-6GS	CLIP, TRIM	6	-	GRAY
15	76331-60A00	GARNISH, RR QTR INNER RH	1	-	
16	76341-60A00	GARNISH, RR QTR INNER LH	1	-	
17	76271-60A10-T01	TRIM, RR GATE	1	-	GRAY
18	09409-08308-T01	CLIP, RR GATE	14	-	GRAY
19	76283A60A30-6GS	CLIP, ASSISTANT GRIP	6	-	GRAY
20	59934-85C00-5ES	CLIP, UPPER	2	-	BLACK
21	86370-78000-T01	ASHTRAY, REAR	1	-	GRAY
22	09148A05006	NUT, ASHTRAY	2	-	

SE419TD (RHD)



FIG. 170A

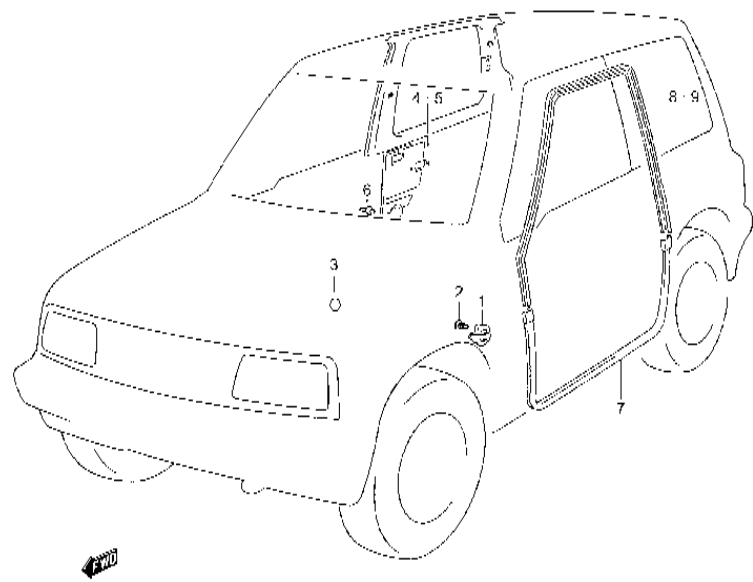
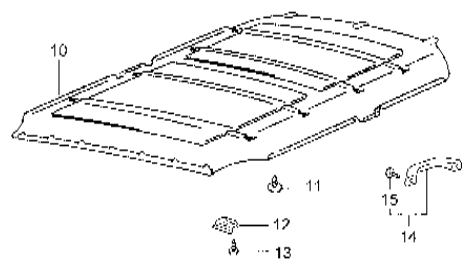


FIG.170A INTERIOR TRIM (V, 3DR)

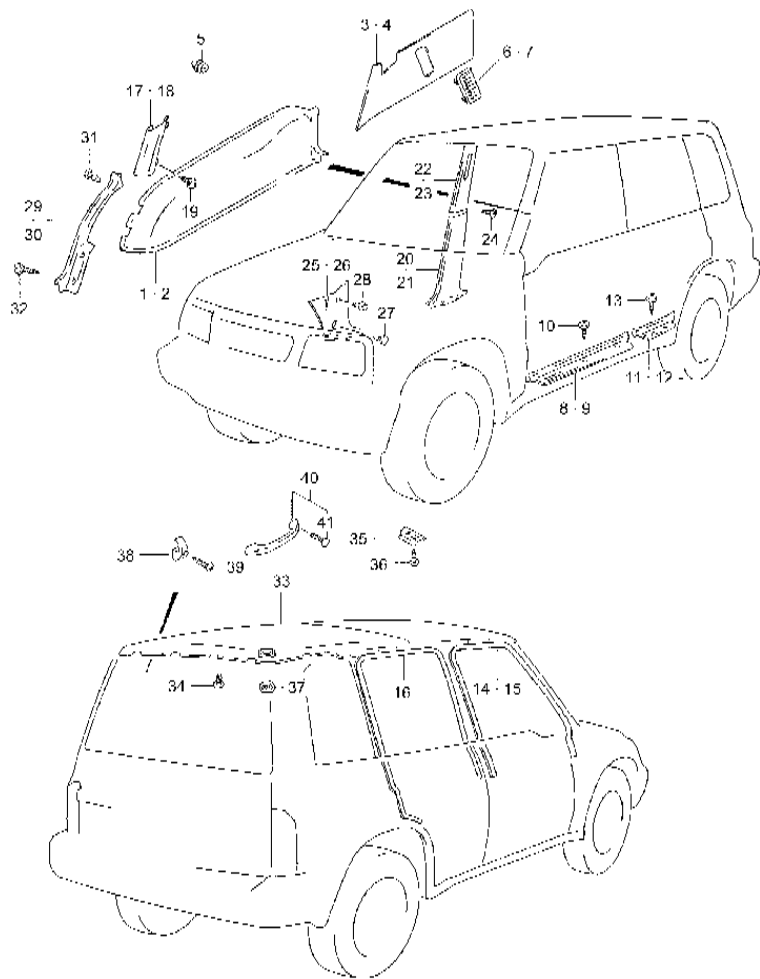
REF NO.	PART NO.	DESCRIPTION	QTY		REMARKS
			C	V	
1	36635-60A00-T01	PROTECTOR, FLOOR HARNESS	-	1	BLACK
2	09409-07318-5ES	CLIP, PROTECTOR	-	1	BLACK
3	72115-85C00	SEAL, TRIM HOLE	-	8	
4	76110-67A10-T02	TRIM, RR SIDE INR RH	-	1	BLACK
5	76120-67A10-T02	TRIM, RR SIDE INR LH	-	1	BLACK
6	09409-08320	CLIP, TRIM	-	20	
7	76240-78E00-5PK	TRIM, FR DOOR OPENING	-	2	BLACK
8	76242-78E00-5PK	WEATHERSTRIP, DOOR INR RH	-	1	BLACK
9	76247-78E00-5PK	WEATHERSTRIP, DOOR INR LH	-	1	BLACK
10	78110-85C20-6NY	HEADLINING ASSY, ROOF	-	1	
11	09409A06310	CLIP, HEADLINING	-	7	GRAY
12	78121-61A00	SPACER, ROOM LAMP	-	1	
13	03241-05126	SCREW, SPACER	-	1	
14	76400-61831-6GS	GRIP, SET ASSISTANT	-	3	BLACK
15	09125-06041	.SCREW, GRIP	-	6	6X17

6

SE419TD (RHD)



FIG. 171A



6

FIG.171A INTERIOR TRIM (V, 5DR)

REF NO.	PART NO.	DESCRIPTION	QTY		REMARKS
			C	V	
1	75140-56B00-T02	TRIM, RR WHEEL HSG RH	-	1	GRAY
2	75150-56B00-T02	TRIM, RR WHEEL HSG LH	-	1	GRAY
3	76110-56B10-T02	TRIM, RR QTR LOWER RH	-	1	GRAY
4	76120-56B10-T02	TRIM, RR QTR LOWER LH	-	1	GRAY
5	09409-08309	CLIP, TRIM	-	12	
6	76292-56B00-T01	COVER, AIR OUTLET HOLE RH	-	1	GRAY
7	76293-56B00-T01	COVER, AIR OUTLET HOLE LH	-	1	GRAY
8	76131-56B00-T01	SCUFF, SIDE SILL FR RH	-	1	GRAY
9	76141-56B00-T01	SCUFF, SIDE SILL FR LH	-	1	GRAY
10	03541-04123	SCREW, SCUFF	-	6	
11	76152-56B00-T01	SCUFF, SIDE SILL RR RH	-	1	GRAY
12	76153-56B00-T01	SCUFF, SIDE SILL RR LH	-	1	GRAY
13	03541-04123	SCREW, SCUFF	-	4	
14	76241-77E00-5PK	WEATHERSTRIP, DOOR INR RH	-	1	BLACK
15	76246-77E00-5PK	WEATHERSTRIP, DOOR INR LH	-	1	BLACK
16	76242-56B00-5PK	TRIM, RR DOOR OPENING	-	2	L:3877>1719
17	76251-56B00-T01	TRIM, RR QTR LWR FR RH	-	1	GRAY
18	76261-56B00-T01	TRIM, RR QTR LWR FR LH	-	1	GRAY
19	03141-05128	SCREW, TRIM	-	4	
20	76311-56B00-T01	TRIM CTR PILLAR LWR RH	-	1	GRAY
21	76321-56B00-T01	TRIM, CTR PILLAR LWR LH	-	1	GRAY
22	76331-56B10-6GS	TRIM, CTR PILLAR UP RH	-	1	GRAY
23	76341-56B10-6GS	TRIM, CTR PILLAR UP LH	-	1	GRAY
24	03141-05128	SCREW, TRIM	-	2	
25	76351-56B00-T01	TRIM, FR PILLAR LWR RH	-	1	GRAY
26	76361-56B00-T01	TRIM, FR PILLAR LWR LH	-	1	GRAY
27	09409-05309-T01	CLIP, TRIM LOWER	-	2	GRAY
28	09409-07318-T01	CLIP, TRIM UPPER	-	2	GRAY
29	76371-56B00-T01	SCUFF, RR WHEEL HSG FR RH	-	1	GRAY
30	76381-56B00-T01	SCUFF, RR WHEEL HSG FR LH	-	1	GRAY
31	09409-10304-5ES	CLIP, SCUFF	-	2	GRAY

SE419TD (RHD)

FIG. 171A

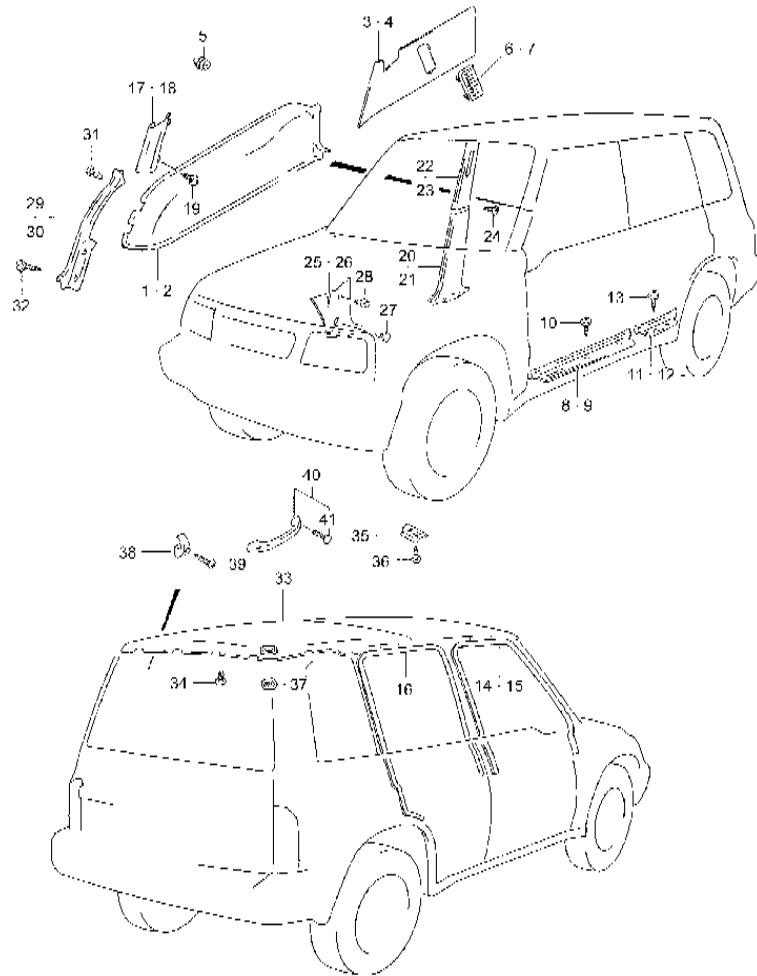


FIG.171A INTERIOR TRIM (V, 5DR)

REF NO.	PART NO.	DESCRIPTION	Q'TY		REMARKS
			C	V	
32	03141-05303	SCREW, SCUFF	-	4	
33	78110-56B11-6NW	HEADLINING ASSY, ROOF	-	1	GRAY
34	59811-85C00-6GS	CLIP, HEADLINING	-	8	GRAY
35	78121-61A00	SPACER, ROOM LAMP	-	1	
36	03241-05125	SCREW, SPACER	-	1	
37	78131-56B00-6GS	GARNISH, AIR OUTLET	-	2	GRAY
38	84491-61A10-6GS	HOOK, COAT HANGER	-	1	GRAY
39	03111-06253	SCREW, HOOK	-	1	
40	76400-61831-6GS	GRIP SET, ASSISTANT	-	3	BLACK
41	09125-06041	.SCREW GRIP	-	6	6X20

FIG. 172A

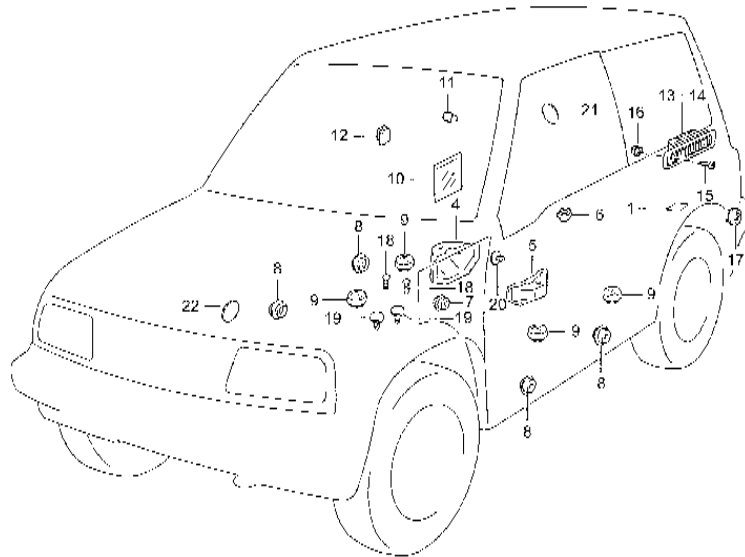
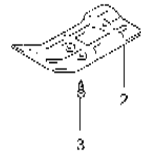


FIG.172A CAP / COVER (3DR)

REF NO.	PART NO.	DESCRIPTION	QTY		REMARKS
			C	V	
1	72115-85C00	SEAL, RR COIL SPRING BRACKET	2	2	
2	75511-60A10	PANEL, HEAT PROTECTOR FR	1	1	
3-1	03141-06123	SCREW, PROTECTOR	4	-	
3-2	03141-06163	SCREW, PROTECTOR	-	3	
4	75611-60A01	COVER, SEAT BRACKET RH	1	1	
5	75711-60A01	COVER, SEAT BRACKET LH	1	1	
6	59961-85C00	CAP, RR FLOOR DRAIN	1	1	
7	09250-20002	CAP, HOOD LOCK CABLE	1	1	
8	09250-25007	CAP, SILL SIDE INNER	4	4	
9	09250-30010	CAP, FLOOR	4	4	
10	76481-61A00	FILM, RR QTR WATER PROOF	-	2	
11	77131-60A10	CUSHION, FUEL LID	2	2	
12	77117-60B00	STOPPER, FUEL LID	1	1	
13	77110-61A10	AIR OUTLET ASSY, SIDE RH	-	1	
14	77120-61A10	AIR OUTLET ASSY, SIDE LH	-	1	
15	03122-04163	SCREW, OUTLET	-	2	
16	09148-04021	NUT, OUTLET	-	2	
17	09250-16013	CAP, SIDE BODY RR	2	2	
18	09250-05011	PLUG, FLOOR NO.1	2	2	
19	09250-08005	PLUG, FLOOR NO.2	2	2	
20	09250-08005	PLUG, PILLAR INNER	3	3	
21	52181-00000	FILM, SELF-ADHESIVE	AR	AR	
22	50029-00000	FILM, BLIND HOLES BOOSTER	2	2	

6



SE419TD (RHD)

FIG. 173A

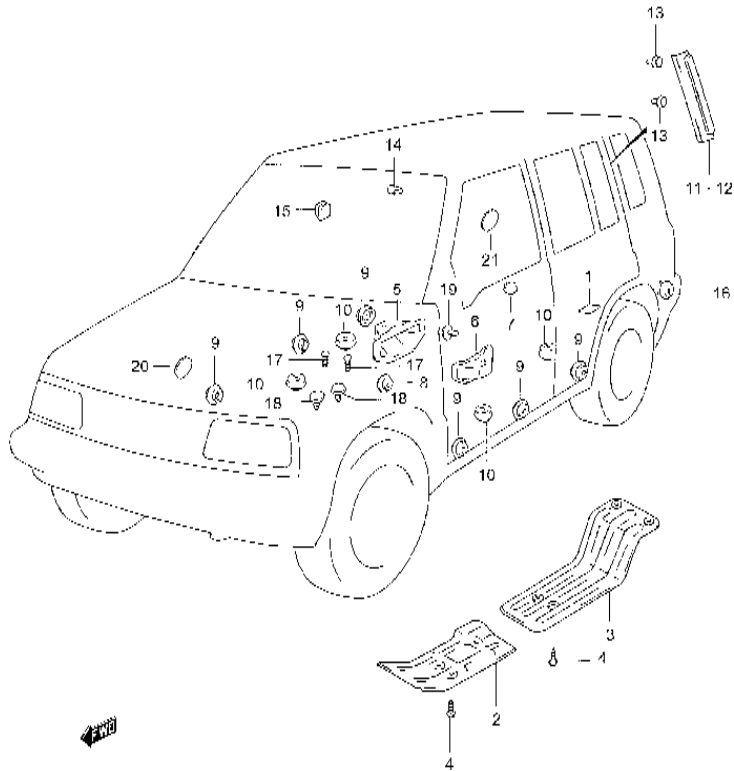
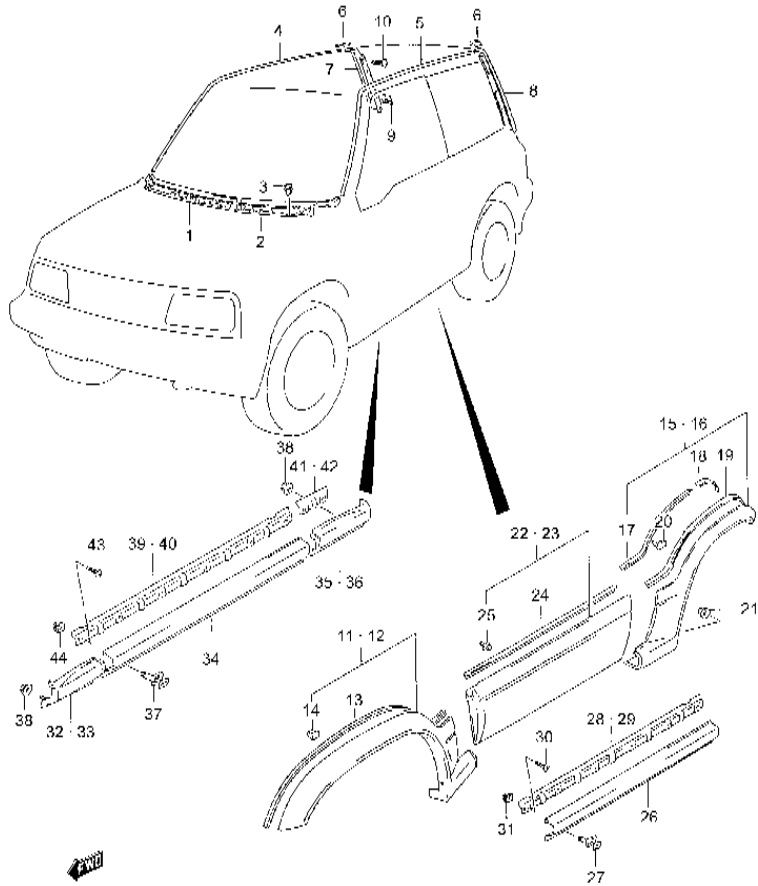


FIG.173A CAP / COVER (5DR)

REF NO.	PART NO.	DESCRIPTION	QTY		REMARKS
			C	V	
1	72115-85C00	SEAL, RR COIL SPRING BRACKET	-	2	
2	75511-60A10	PANEL, HEAT PROTECTOR FR	-	1	
3	75512-56B00	PANEL, HEAT PROTECTOR RR	-	1	
4	03141-06123	SCREW, PROTECTOR	-	7	
5	75611-60A01	COVER, SEAT BRACKET RH	-	1	
6	75711-60A01	COVER, SEAT BRACKET LH	-	1	
7	59961-85C00	CAP, CTR FLOOR FR DRAIN	-	2	
8	09250-20002	CAP, HOOD LOCK CABLE	-	1	
9	09250-25007	CAP, SILL SIDE INNER	-	6	
10	09250-30010	CAP, FLOOR	-	4	
11	77111-56B00-0CE	GARNISH, AIR OUTLET RH	-	1	BLACK
12	77121-56B00-0CE	GARNISH, AIR OUTLET LH	-	1	BLACK
13	77259-71B00	CLIP, GARNISH	-	4	
14	77131-60A10	CUSHION, FUEL LID	-	2	
15	77117-60B00	STOPPER, FUEL LID	-	1	
16	09250-16013	CAP, SIDE BODY RR	-	2	
17	09250-05011	PLUG, FLOOR NO.1	-	2	
18	09250-08005	PLUG, FLOOR NO.2	-	2	
19	09250-08005	PLUG, PILLAR INNER	-	3	
20	50029-00000	FILM, BLIND HOLES BOOSTER	-	2	
21	52181-00000	FILM, SELF-ADHESIVE	-	AR	



FIG. 179A



6

FIG.179A GARNISH / SPLASH GUARD

REF NO.	PART NO.	DESCRIPTION	QTY		REMARKS
			C	V	
1	77311-60A10-5PK	GARNISH, COWL CTR RH	1	1	BLACK
2	77312-60A00-5PK	GARNISH, COWL CTR LH	1	1	BLACK
3	09409-07308-5PK	CLIP, GARNISH	9	9	BLACK
4	77571-61A00-5PK	MOLDING, ROOF DRIP SIDE RH	-	1	CUT AR, BLACK
5	77575-61A00-5PK	MOLDING, ROOF DRIP SIDE LH	-	1	CUT AR, BLACK
6	77515-61A10-5PK	JOINT, MOLDING	-	2	BLACK
7	77512-61A01-5PK	GARNISH, RR PILLAR RH	-	1	BLACK
8	77522-60A01-5PK	GARNISH, RR PILLAR LH	-	1	BLACK
9	77517-61A00	HOOK, RR PILLAR GARNISH	-	8	
10	09409-10304-5ES	CLIP, GARNISH	-	6	BLACK
11	77531-66A00	GUARD, FENDER SPLASH RH	1	1	
12	77631-66A00	GUARD, FENDER SPLASH LH	1	1	
13-1	77611-77E01-1VN	.PROTECTOR, GUARD F. SPLASH	-	2	
13-2	77611-77E01-26Y	.PROTECTOR, GUARD F. SPLASH	2	-	
14	09409-10309	.CLIP, SPLASH GUARD	-	14	
15	77551-66A00	GUARD, RR SPLASH RH	1	1	
16	77651-66A00	GUARD, RR SPLASH LH	1	1	
17-1	77611-77E01-1VN	.PROTECTOR, GUA. RR SPLASH RH	-	1	L:1067>812
17-2	77611-77E01-26Y	.PROTECTOR, GUA. RR SPLASH LH	1	-	L:1067>812
18-1	77611-77E01-1VN	.PROTECTOR, GUA. RR SPLASH RH	1	-	L:1067>88
18-2	77611-77E01-26Y	.PROTECTOR, GUA. RR SPLASH LH	1	-	L:1067>88
19-1	77611-77E01-1VN	.PROTECTOR, GUA. RR SPLASH RH	-	1	L:1067>1038
19-2	77611-77E01-26Y	.PROTECTOR, GUA. RR SPLASH LH	1	-	L:1067>1038
20	09409-10309	.CLIP, SPLASH GUARD	12	12	
21	08316-10063	NUT, SPLASH GUARD	2	2	
22	77561-78E00	GUARD, DOOR SPLASH RH	1	1	
23	77661-78E00	GUARD, DOOR SPLASH LH	1	1	
24-1	77611-77E01-1VN	.PROTECTOR, GUA. DOOR SPLASH	-	2	
24-2	77611-77E01-26Y	.PROTECTOR, GUA. DOOR SPLASH	2	-	
25	77259-71B00	.CLIP, SPLASH GUARD	20	20	
26	77536-85C00-1VN	PROTECTOR, SILL SIDE	-	2	

SE419TD (RHD)

FIG. 179A

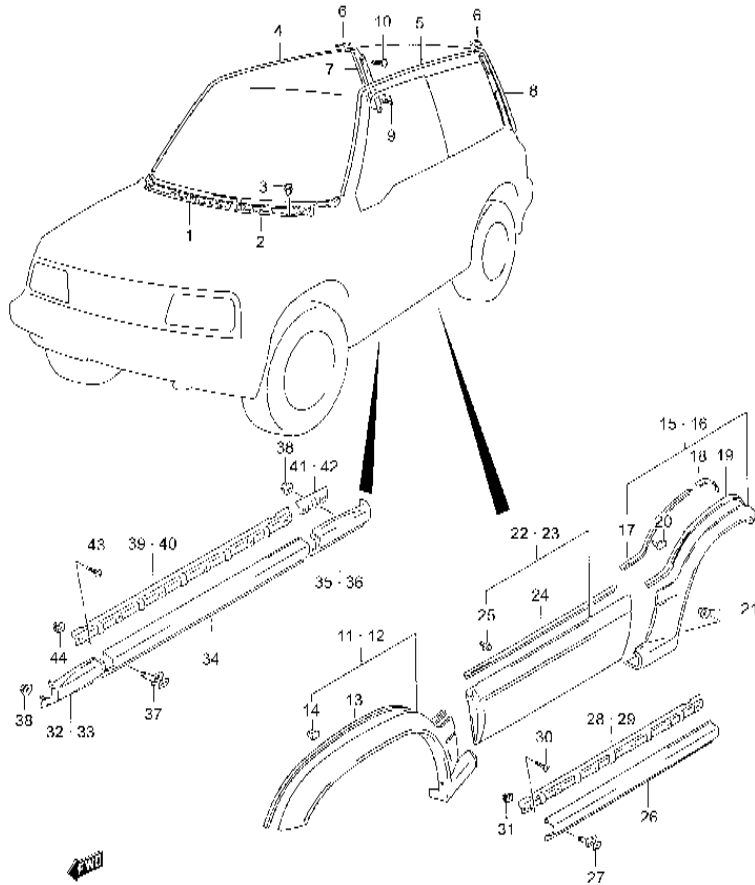


FIG.179A GARNISH / SPLASH GUARD

REF NO.	PART NO.	DESCRIPTION	QTY		REMARKS
			C	V	
27-1	77537-60A10-1VN	CLIP, PROTECTOR	-	8	
27-2	77537-60A10-26Y	CLIP, PROTECTOR	8	-	
28	77534-60A10	HOLDER, PROTECTOR RH	1	1	
29	77544-60A10	HOLDER, PROTECTOR LH	1	1	
30	03141-05123	SCREW	12	12	
31	59918-85C00	NUT	12	12	
32	77531-85C00	PROTECTOR, SIDE SILL FR RH	1	1	BLACK
33	77541-85C00	PROTECTOR, SIDE SILL FR LH	1	1	BLACK
34	77536-85C00	PROTECTOR, SILL SIDE CTR	2	2	BLACK
35	77532-85C00	PROTECTOR, SILL SIDE RR RH	1	1	BLACK
36	77542-85C00	PROTECTOR, SILL SIDE RR LH	1	1	BLACK
37	77537-60A10-5PK	CLIP, PROTECTOR	8	8	BLACK
38	08316-10063	NUT, PROTECTOR	4	4	
39	77534-60A10	HOLDER, PROTECTOR CTR RH	1	1	
40	77544-60A10	HOLDER, PROTECTOR CTR LH	1	1	
41	77535-60A10	HOLDER, PROTECTOR RR RH	1	1	
42	77545-60A10	HOLDER, PROTECTOR RR LH	1	1	
43	03141-05123	SCREW, HOLDER	16	16	
44	59918-85C00	NUT, HOLDER	16	16	



FIG. 180A

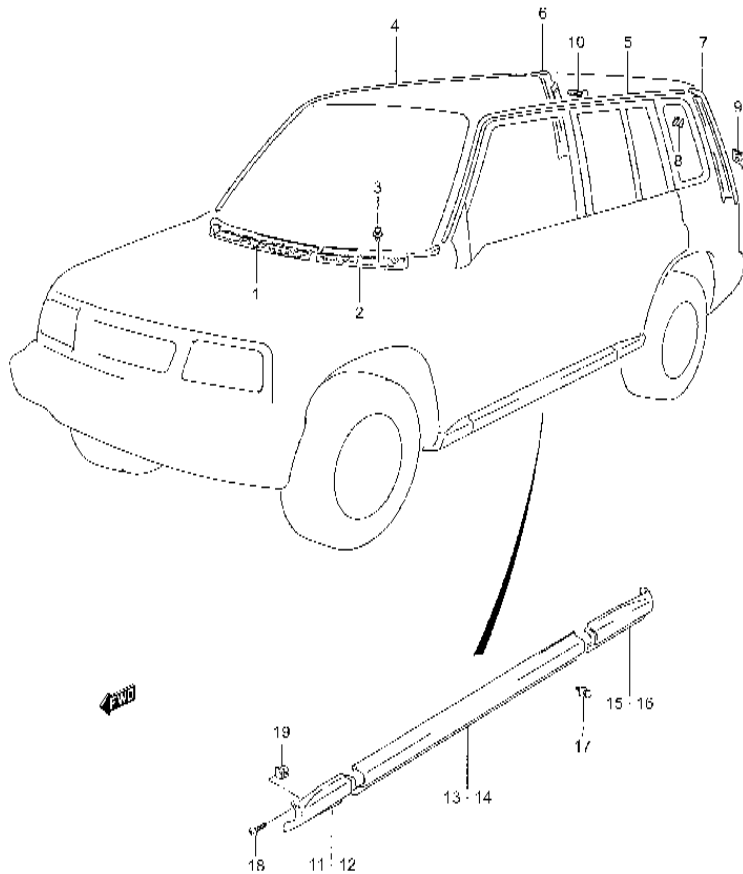


FIG.180A GARNISH / MOLDING (5DR)

REF NO.	PART NO.	DESCRIPTION	QTY		REMARKS
			C	V	
1	77311-60A10	GARNISH, COWL CTR RH	-	1	
2	77312-60A00	GARNISH, COWL CTR LH	-	1	
3	09409-07308-5PK	CLIP, GARNISH	-	9	BLACK
4	77571-56B00-5PK	MOLDING, ROOF DRIP SIDE RH	-	1	BLACK
5	77575-56B00-5PK	MOLDING, ROOF DRIP SIDE LH	-	1	BLACK
6	77512-56B01-5PK	GARNISH, BACK PILLAR UP RH	-	1	BLACK
7	77522-56B01-5PK	GARNISH, BACK PILLAR UP LH	-	1	BLACK
8	77513-56B00	CLIP, GARNISH	-	2	
9	77517-61A00	HOOK, GARNISH	-	8	BLACK
10	09409-10304	CLIP, GARNISH	-	6	BLACK
11	77531-56B00-5PK	PROTECTOR, SIDE SILL FR RH	-	1	BLACK
12	77541-56B00-5PK	PROTECTOR, SIDE SILL FR LH	-	1	BLACK
13	77536-56B00-5PK	PROTECTOR, SIDE SILL CTR RH	-	1	BLACK
14	77546-56B00-5PK	PROTECTOR, SIDE SILL CTR LH	-	1	BLACK
15	77532-56B01-5PK	PROTECTOR, SIDE SILL RR RH	-	1	BLACK
16	77542-56B01-5PK	PROTECTOR, SIDE SILL RR LH	-	1	BLACK
17	09409-06319	CLIP, PROTECTOR	-	12	
18	03141-05163	SCREW, PROTECTOR	-	2	
19	59918-85C00	NUT, PROTECTOR	-	2	

SE419TD (RHD)

FIG. 182A

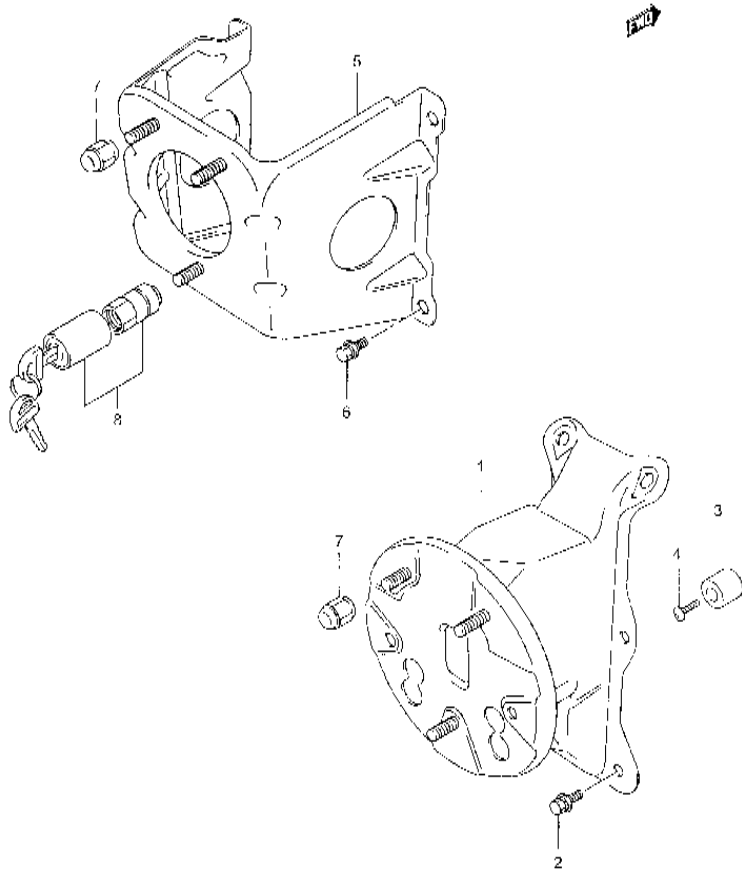


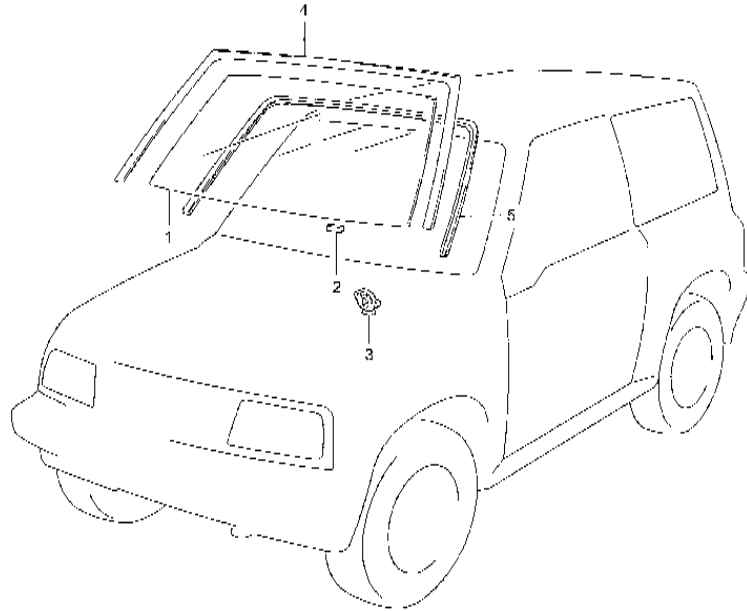
FIG.182A TIRE CARRIER

REF NO.	PART NO.	DESCRIPTION	QTY		REMARKS
			C	V	
1	72810-85C00	CARRIER, SPARE TIRE	1	-	
2	01580-08203	BOLT, CARRIER	6	-	
3	59951-85C00	CUSHION, SPARE TIRE	2	-	
4	02112-06163	SCREW, CUSHION	2	-	
5	83960-85C00	CARRIER, SPARE TIRE	-	1	
6	01500-10253	BOLT, CARRIER	-	4	
7	09159-12024	NUT, SPARE TIRE	2	2	
8	83900-60820	KEY, SPARE TIRE NUT LOCK	1	1	

6

SE419TD (RHD)

FIG. 184



**FIG.184A WINDOW GLASS (3DR)**

REF NO.	PART NO.	DESCRIPTION	QTY		REMARKS
			C	V	
1	84515-85C00	GLASS, WINDSHIELD	1	1	GREEN
2	84617-61A10	SPACER, WINDSHIELD GLASS	1	1	
3	84618-85C00	STOPPER, WINDSHIELD GLASS	2	2	
4	84611-85C00-5PK	MOLDING, WINDSHIELD	1	1	BLACK
5	84616-61A00-5PK	TRIM, WINDSHIELD	1	1	BLACK

6



SE419TD (RHD)



FIG. 189A

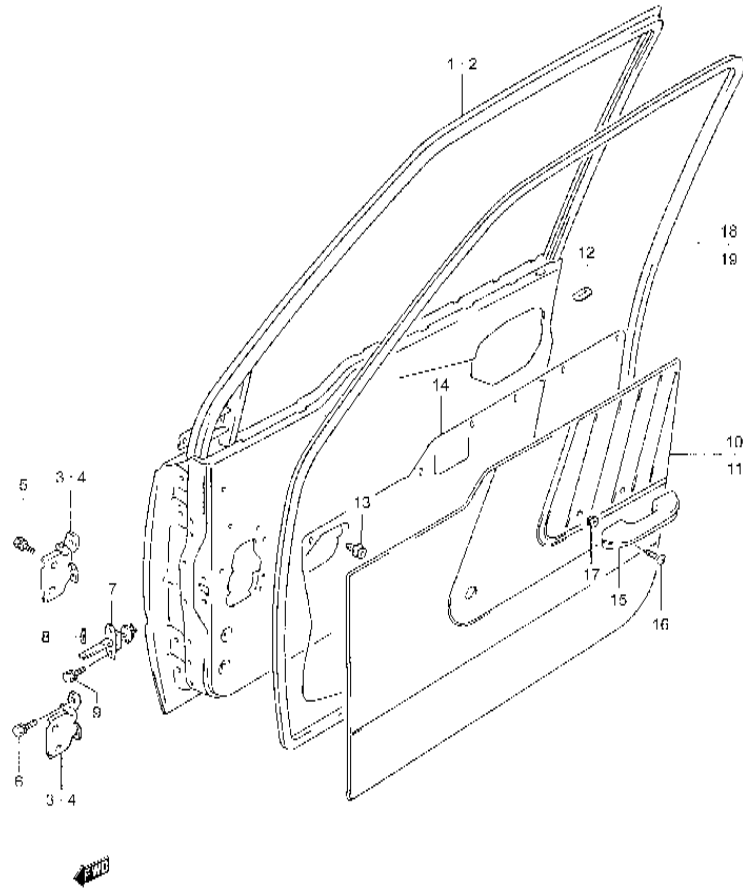


FIG.189A FRONT DOOR PANEL (3DR)

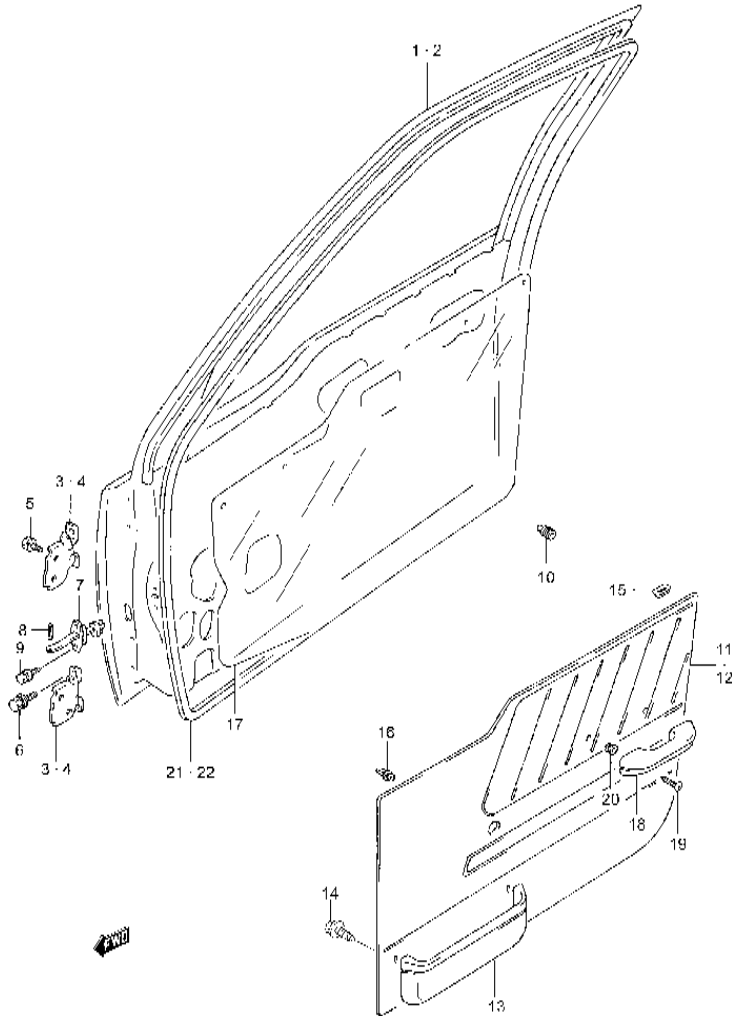
REF NO.	PART NO.	DESCRIPTION	QTY		REMARKS
			C	V	
1	68001-66A11	PANEL ASSY, FR DOOR RH	1	1	
2	68002-66A11	PANEL ASSY, FR DOOR LH	1	1	
3	69310-85C00	HINGE, DOOR NO.1	2	2	UPPER RH, LOWER LH
4	69340-85C00	HINGE, DOOR NO.2	2	2	UPPER LH, LOWER RH
5	09118-08156	BOLT, PILLAR	8	8	8X25
6	01500-08203	BOLT, DOOR	8	8	
7	81810-56B01	STOP, DOOR OPEN	2	2	
8	81831-70B00	PIN, STOP BODY	2	2	
9	01830-06163	BOLT, STOP	4	4	
10	83710-60A10-T02	TRIM, DOOR RH	1	-	GRAY
11	83730-60A10-T02	TRIM, DOOR LH	1	-	GRAY
12	83795-60A00-T01	CAP, LOCK KNOB	2	-	GRAY
13	09409-08320	CLIP, TRIM	30	30	
14	83911-60X51	COVER, DOOR SEALING	2	2	600X1200, AS REQUIRED
15	84450-82000-T01	ARMREST, DOOR	2	-	GRAY
16	03241-06253	SCREW, ARMREST	4	4	
17	59981-85C00	NUT, ARMREST	4	4	
18	84641-85C01	WEATHERSTRIP, DR OPENING RH	1	1	
19	84651-85C01	WEATHERSTRIP, DR OPRNING LH	1	1	

6

SE419TD (RHD)



FIG. 192A



6

FIG.192A FRONT DOOR PANEL (5DR)

REF NO.	PART NO.	DESCRIPTION	QTY		REMARKS
			C	V	
1	68001-57B11	PANEL ASSY, FRONT DOOR RH	-	1	
2	68002-57B11	PANEL ASSY, FRONT DOOR LH	-	1	
3	69310-85C00	HINGE, DOOR NO.1	-	2	UPPER RH, LOWER LH
4	69340-85C00	HINGE, DOOR NO.2	-	2	UPPER LH, LOWER RH
5	09118-08156	BOLT, PILLAR	-	8	8X25
6	01500-08203	BOLT, DOOR	-	8	
7	81810-56B01	STOPPER, DOOR	-	2	
8	81831-70B00	PIN, STOP BODY	-	2	
9	01830-06163	BOLT, STOP	-	4	
10	82711-56B00	STOPPER, DOOR	-	2	
11	83701-56B10-T02	TRIM, DOOR RH	-	1	GRAY
12	83702-56B10-T02	TRIM, DOOR LH	-	1	GRAY
13	83722-61A00-T02	.POCKET, TRIM	-	2	BLACK
14	03141-04123	.SCREW, POCKET	-	10	
15	83795-60A00-T01	CAP, LOCK KNOB	-	2	GRAY
16	09409-08320	CLIP, TRIM	-	26	
17	83911-60X51	COVER, DOOR SEALING	-	2	600X1200, AS REQUIRED
18	84450-82000-T01	ARMREST, DOOR	-	2	GRAY
19	03241-06253	SCREW, ARMREST	-	4	
20	59981-85C00	NUT, ARMREST	-	4	
21	84641-56B01	WEATHERSTRIP, DR OPENING RH	-	1	
22	84651-56B01	WEATHERSTRIP, DR OPENING LH	-	1	

SE419TD (RHD)



FIG. 195A

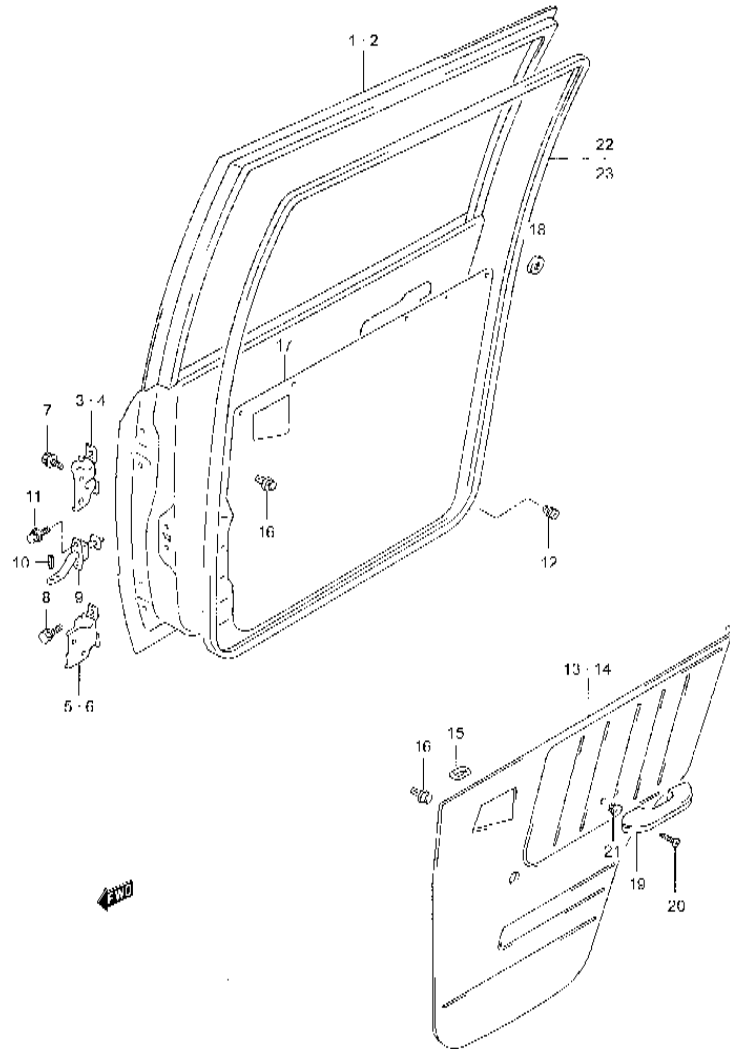


FIG.195A REAR DOOR PANEL (5DR)

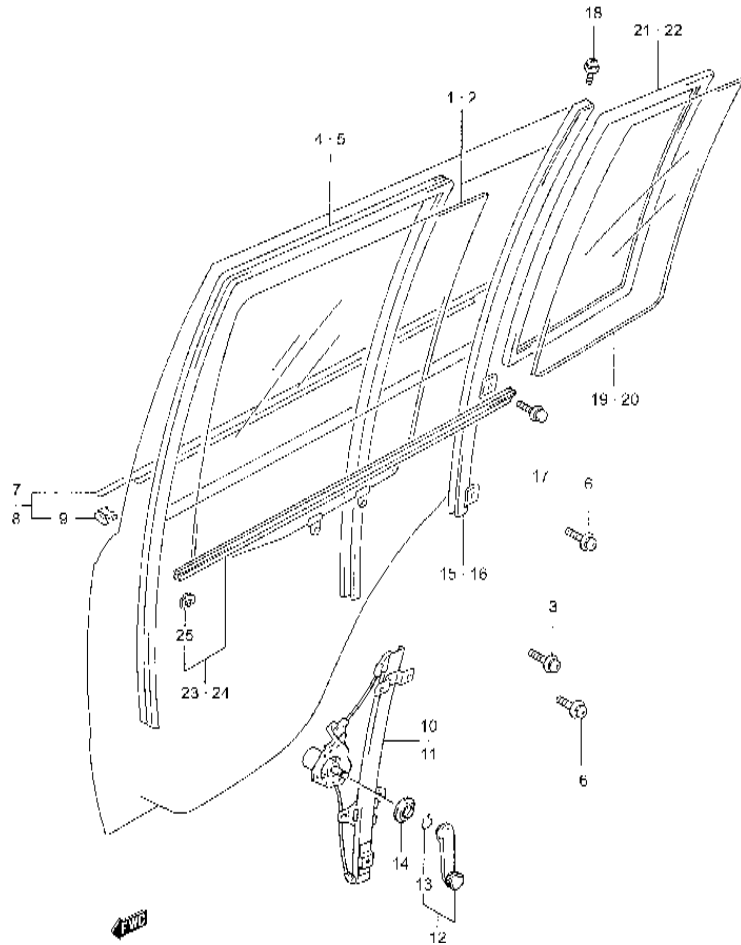
REF NO.	PART NO.	DESCRIPTION	QTY		REMARKS
			C	V	
1	68003-57B12	PANEL ASSY, RR DOOR RH	-	1	
2	68004-57B12	PANEL ASSY, RR DOOR LH	-	1	
3	69410-56B10	HINGE, UPPER RH	-	1	
4	69430-56B10	HINGE, UPPER LH	-	1	
5	69440-56B10	HINGE, LOWER RH	-	1	
6	69460-56B10	HINGE, LOWER LH	-	1	
7	09118-08156	BOLT, PILLAR	-	8	8X25
8	01500-08203	BOLT, DOOR	-	8	
9	81830-56B01	STOP, DOOR OPEN	-	2	
10	81831-70B00	PIN, STOP BODY	-	2	
11	01830-06163	BOLT, STOP	-	4	
12	82711-56B00	STOPPER, DOOR	-	2	
13	83740-56B10-T02	TRIM, DOOR RH	-	1	GRAY
14	83760-56B10-T02	TRIM, DOOR LH	-	1	
15	83795-60A00-T01	CAP, LOCK KNOB	-	2	
16	09409-08320	CLIP, TRIM	-	20	
17	83911-60X51	COVER, DOOR SEALING	-	2	600X1200, AS REQUIRED
18	50027-00000	CAP, HANDLE HOLE	-	2	
19	84450-82000-T01	ARMREST, DOOR	-	2	GRAY
20	03241-06253	SCREW, ARMREST	-	4	
21	59981-85C00	NUT, ARMREST	-	4	
22	84661-56B02	WEATHERSTRIP, DOOR OPENING RH	-	1	
23	84671-56B02	WEATHERSTRIP, DOOR OPENING LH	-	1	

6

SE419TD (RHD)



FIG. 196A



6

FIG.196A REAR DOOR REGULATOR (5DR)

REF NO.	PART NO.	DESCRIPTION	QTY		REMARKS
			C	V	
1	84541-86C00	GLASS, WINDOW RH	-	1	GREEN
2	84546-86C00	GLASS, WINDOW LH	-	1	GREEN
3	02112-76123	SCREW, GLASS BOTTOM	-	4	
4	83671-56B00	RUN, DOOR GLASS RH	-	1	
5	83672-56B00	RUN, DOOR GLASS LH	-	1	
6	02112-76123	SCREW, REGULATOR	-	14	
7	83830-56B02	WEATHERSTRIP, OUTER RH	-	1	
8	83840-56B02	WEATHERSTRIP, OUTER LH	-	1	
9	83812-60A00	.CLIP, WEATHERSTRIP	-	14	
10	83510-56B00	REGULATOR ASSY, RH	-	1	
11	83540-56B00	REGULATOR ASSY, LH	-	1	
12	82960-82100-T01	HANDLE, REGULATOR	-	2	GRAY
13	78463-78000	.SNAP, HANDLE	-	2	
14	82972-82100-T01	ESCUTCHEON, HANDLE	-	2	GRAY
15	81770-56B01-OCE	SASH, RR DOOR CTR RH	-	1	BLACK
16	81780-56B01-OCE	SASH, RR DOOR CTR LH	-	1	BLACK
17	01830-06163	BOLT, LOWER	-	4	
18	02122-04103	SCREW, UPPER	-	2	
19	84551-86C00	GLASS, PARTITION RH	-	1	GREEN
20	84556-86C00	GLASS, PARTITION LH	-	1	GREEN
21	84665-56B00	WEATHERSTRIP, PARTITION RH	-	1	
22	84675-56B00	WEATHERSTRIP, PARTITION LH	-	1	
23	83870-56B00	WEATHERSTRIP, INNER RH	-	1	
24	83880-56B00	WEATHERSTRIP, INNER LH	-	1	
25	83812-60A00	.CLIP, WEATHERSTRIP	-	14	

SE419TD (RHD)

FIG. 197A

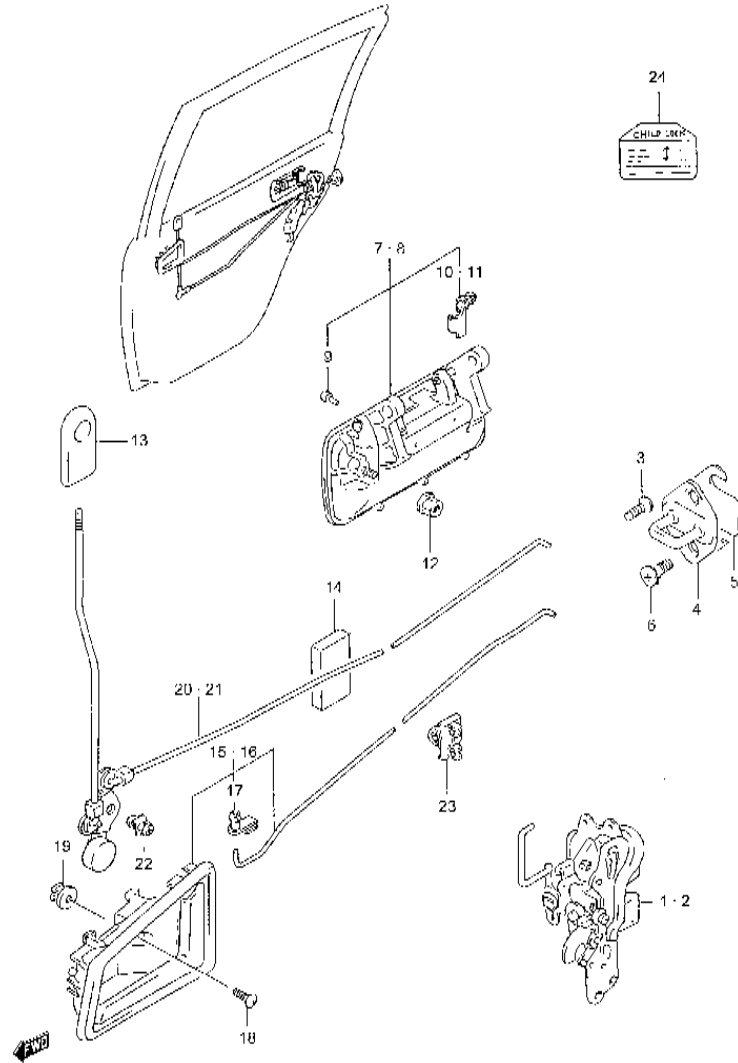


FIG.197A REAR DOOR LOCK (5DR)

REF NO.	PART NO.	DESCRIPTION	QTY		REMARKS
			C	V	
1	82301-56B00	LATCH ASSY, DOOR RH	-	1	
2	82302-56B00	LATCH ASSY, DOOR LH	-	1	
3	02122-56163	SCREW, LATCH	-	6	6X16
4	82610-60A01	STRIKER, DOOR LATCH	-	2	
5	78199-78000	SPACER, STRIKER	-	AR	
6	09137-08011	SCREW, STRIKER	-	4	8X18
7	82830-56B00-5PK	HANDLE, DOOR OUT RH	-	1	BLACK
8	82840-56B00-5PK	HANDLE, DOOR OUT LH	-	1	BLACK
9	82816-60A00	.RUBBER, STOP	-	2	
10	09209-05017	.HOLDER, ROD RH	-	1	
11	82828-56B00	.HOLDER, ROD LH	-	1	
12	08316-20063	NUT, HANDLE	-	4	
13	82973-60A01-5PK	KNOB, INSIDE HANDLE	-	2	BLACK
14	77591-75000	PAD, INSIDE HANDLE	-	2	
15	83140-85CA0-T01	HANDLE, DOOR INSIDE RH	-	1	GRAY
16	83160-85CA0-T01	HANDLE, DOOR INSIDE LH	-	1	GRAY
17	83116-85C00	.SNAP, HANDLE	-	2	
18	03121-05163	SCREW, HANDLE	-	2	
19	59981-85C00	NUT, HANDLE	-	2	
20	83240-85C50	ROD, INSIDE LOCK RH	-	1	
21	83250-85C50	ROD, INSIDE LOCK LH	-	1	
22	83261-56B00	PIN, LINK	-	2	
23	83271-50E00	CLIP, ROD	-	2	
24	82491-56B00	CAUTION PLATE, CHILD LOCK	-	2	

6

SE419TD (RHD)



FIG. 199A

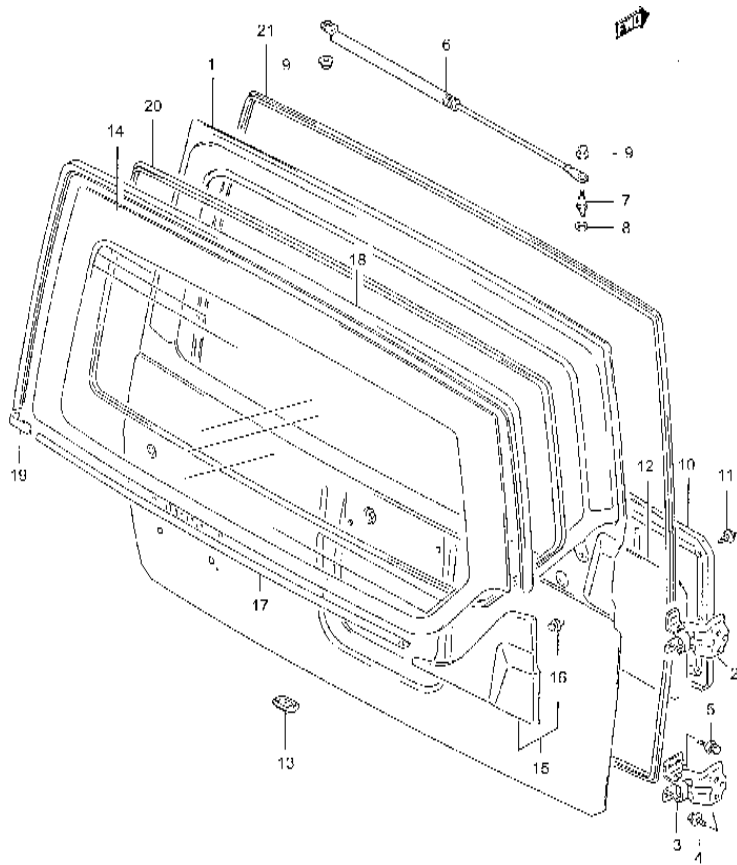


FIG.199A BACK DOOR PANEL (V)

REF NO.	PART NO.	DESCRIPTION	QTY		REMARKS
			C	V	
1	69100-61A50	PANEL ASSY, BACK DOOR	-	1	
2	69510-85C00	HINGE, BACK DOOR UPPER	-	1	
3	69520-85C00	HINGE, BACK DOOR LOWER	-	1	
4	09118-08156	BOLT, PILLAR	-	6	8X25
5	09118-08156	BOLT, PILLAR	-	6	8X25
6	81851-85C00	UNIT, BACK DOOR BALANCER	-	1	
7	81852-61A00	SHAFT, BALANCER DOOR	-	1	
8	08322-01083	WASHER, BACK DOOR BALANCER	-	1	
9	08316-20063	NUT, BACK DOOR BALANCER	-	2	
10	83770-62A00-T02	TRIM, BACK DOOR	-	1	GRAY
11	09409-08320	CLIP, TRIM	-	15	
12	83911-60X51	COVER, DOOR SEALING	-	1	600X1200, AS REQUIRED
13	83914-85C00	COVER, SERVICE HOLE	-	1	
14	84575-85C00	GLASS, WINDOW	-	1	GREEN
15	83940-61A00-5PK	GARNISH, OUT RH	-	1	BLACK
16	83942-61A02	.CLIP, GARNISH	-	2	
17	84621-61A00-5PK	MOLDING, WINDOW NO.1	-	1	BLACK
18	84622-85C00-5PK	MOLDING, WINDOW NO.2	-	1	BLACK
19	84626-61A00-5PK	.JOINT, MOLDING LOWER	-	1	BLACK
20	84627-61A00-5PK	TRIM, WINDOW OPENING	-	1	BLACK
21	84681-61A01-5PK	WEATHERSTRIP, OPENING	-	1	BLACK

SE419TD (RHD)

FIG. 201A

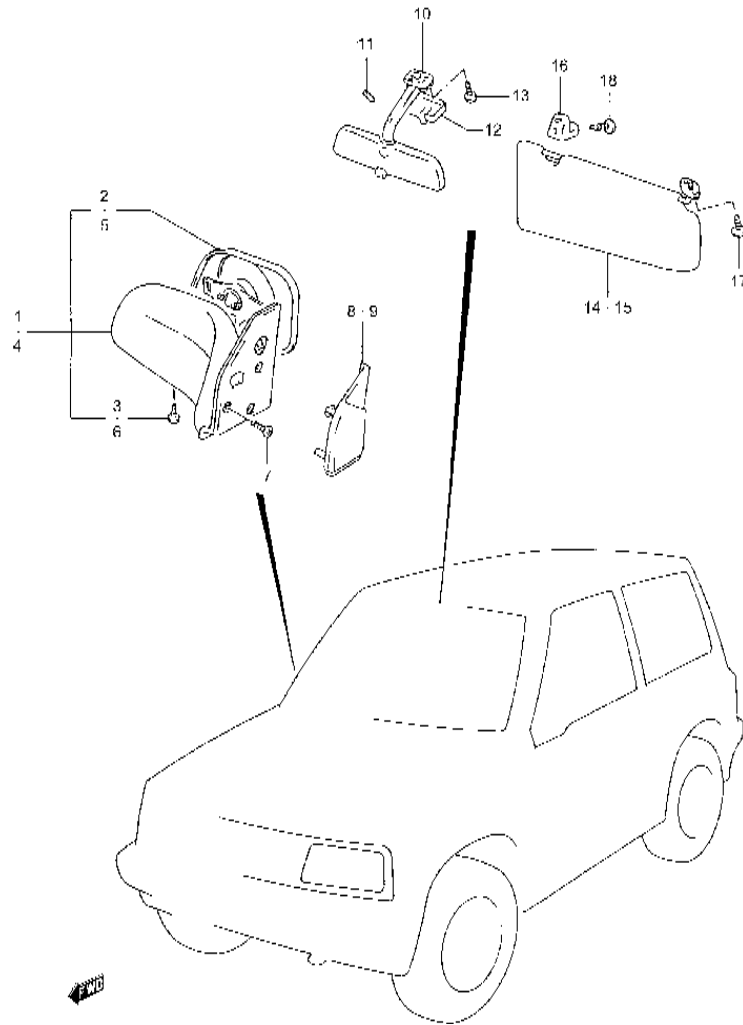


FIG.201A MIRROR / SUNVISOR (3DR)

REF NO.	PART NO.	DESCRIPTION	QTY		REMARKS
			C	V	
1	84701-61A20-5PK	MIRROR, OUT RR VIEW RH	1	1	BLACK
2	84720-61A00	.MIRROR, SUB ASSY RH	1	1	
3	03511-04103	.SCREW	1	1	
4	84702-61A20-5PK	MIRROR, OUT RR VIEW LH	1	1	BLACK
5	84760-61A00	.MIRROR, SUB ASSY LH	1	1	
6	03511-04103	.SCREW	1	1	
7	02142-06123	SCREW	6	6	
8	84750-85C00-5PK	GARNISH, SASH BRKT INR RH	1	1	BLACK
9	84790-85C00-5PK	GARNISH, SASH BRKT INR LH	1	1	BLACK
10	84703-85C10-T01	MIRROR, INSIDE RR VIEW	1	1	GRAY
11	84782-85C00	RUBBER	1	1	
12	84781-85C00-6GS	COVER, MIRROR STAY	1	1	GRAY
13	02132-05203	SCREW	2	2	
14	84801-60A00-6NY	SUNVISOR ASSY, RH	1	1	GRAY
15	84802-60A00-6NY	SUNVISOR ASSY, LH	1	1	GRAY
16	84851-60B00-6GS	HOLDER, SUNVISOR	2	2	GRAY
17	09127-05016	SCREW, SUNVISOR	4	4	
18	03211-05163	SCREW, HOLDER	2	2	

FIG. 202A

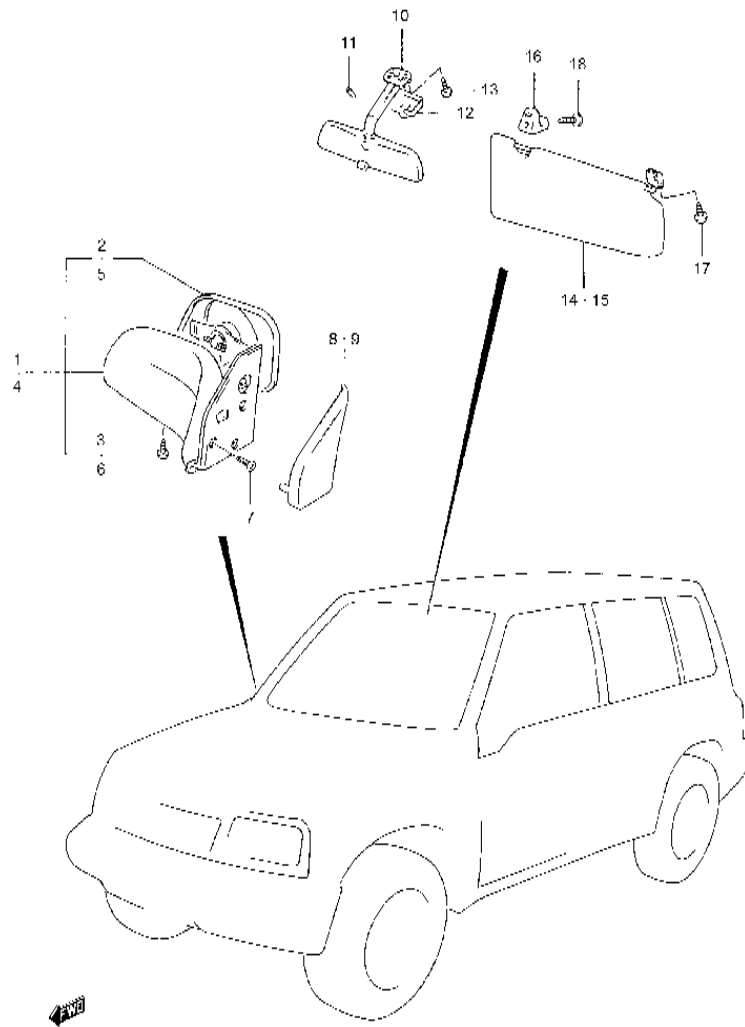


FIG.202A MIRROR / SUNVISOR (5DR)

REF NO.	PART NO.	DESCRIPTION	QTY		REMARKS
			C	V	
1	84701-56B20-5PK	MIRROR, OUT RR VIEW RH	-	1	BLACK
2	84720-61A00	.MIRROR, SUB ASSY RH	-	1	
3	03511-04103	.SCREW	-	1	
4	84701-56B20-5PK	MIRROR, OUT RR VIEW LH	-	1	BLACK
5	84760-61A00	.MIRROR, SUB ASSY LH	-	1	
6	03511-04103	.SCREW	-	1	
7	02142-06123	SCREW	-	6	
8	84750-56B01-5PK	GARNISH, SASH BRKT INR RH	-	1	
9	84790-56B01-5PK	GARNISH, SASH BRKT INR LH	-	1	
10	84703-85C10-T01	MIRROR, INSIDE RR VIEW	-	1	GRAY
11	84782-85C00	RUBBER	-	1	
12	84781-85C00-6GS	COVER, MIRROR STAY	-	1	GRAY
13	02132-05203	SCREW	-	2	
14	84801-60A00-6NY	SUNVISOR ASSY, RH	-	1	GRAY
15	84802-60A00-6NY	SUNVISOR ASSY, LH	-	1	GRAY
16	84851-60B00-6GS	HOLDER, SUNVISOR	-	2	GRAY
17	09127-05016	SCREW, SUNVISOR	-	4	
18	03211-05163	SCREW, HOLDER	-	2	

SE419TD (RHD)



FIG. 205A

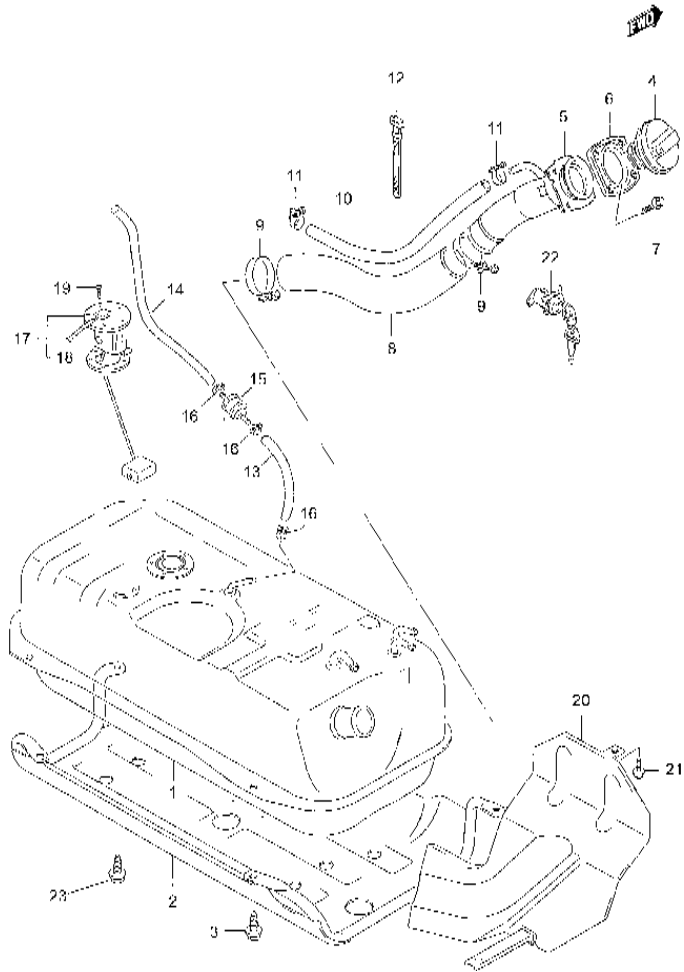


FIG.205A FUEL TANK (3DR)

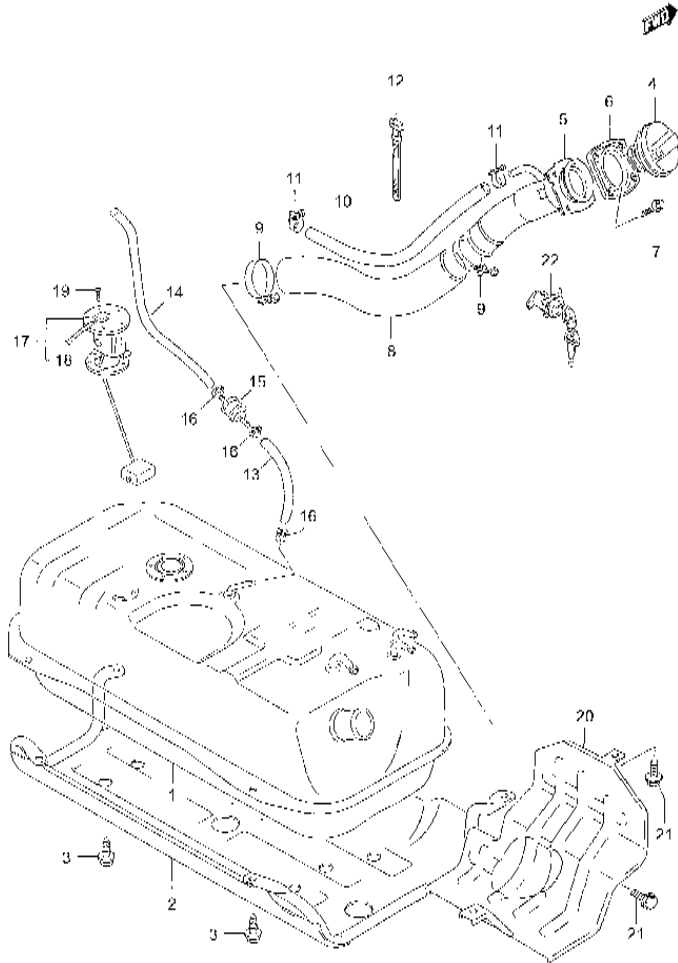
REF NO.	PART NO.	DESCRIPTION	QTY		REMARKS
			C	V	
1	89101-86CA2	TANK ASSY, FUEL	1	1	
2	89320-85C00	PROTECTOR, FUEL TANK	1	1	
3	01800-10303	BOLT	5	5	
4	89260-65AB0	CAP ASSY, FUEL FILLER	1	1	
5	89210-85C20	NECK, FUEL FILLER	1	1	
6	89285-82000	PACKING, FUEL FILLER NECK	1	1	
7	09116-05014	BOLT	4	4	
8	89241-85C00	HOSE, FUEL TANK FILLER	1	1	
9	09400-52312	CLAMP	2	2	
10	09355-13205	HOSE, TANK BREATHER	1	1	L:600>520
11	11196-85C10	CLAMP	2	2	
12	36990-85C01	CLAMP	1	1	
13	09355-54115-600	HOSE, CHECK VALVE TO OUTLET	1	1	L:600>200
14	09355-54115-680	HOSE, CHECK VALVE TO FUEL TANK	1	1	L:680
15	85451-75100	VALVE, 2 WAYS CHECK	1	1	
16	46583-85C00	CLIP	3	3	
17	34810-60A11	GAUGE ASSY, FUEL LEVER	1	1	
18	34825-67012	.GASKET	1	1	
19	15329-85C00	SCREW	5	5	
20	89311-66A10	PROTECTOR, FUEL FILLER HOSE	1	1	
21	89316-85C00	SCREW	3	3	
22	89340-60A02	CYLINDER SET, FUEL LID LOCK	1	-	
23	01500-08253	BOLT	1	1	

6

SE419TD (RHD)



FIG. 206A



6

FIG.206A FUEL TANK (5DR)

REF NO.	PART NO.	DESCRIPTION	QTY		REMARKS
			C	V	
1	89101-86CB0	TANK ASSY, FUEL	-	1	
2	89320-56B00	PROTECTOR, FUEL TANK	-	1	
3	01800-10303	BOLT	-	6	
4	89260-65AB0	CAP ASSY, FUEL FILLER	-	1	
5	89210-60A01	NECK, FUEL FILLER	-	1	
6	89285-82000	PACKING, FUEL FILLER NECK	-	1	
7	09116-05014	BOLT	-	4	
8	89241-56B00	HOSE, FUEL TANK FILLER	-	1	
9	09400-52312	CLAMP	-	2	
10	89291-56B00	HOSE, TANK BREATHER	-	1	
11	11196-85C10	CLAMP	-	2	
12	36990-85C01	CLAMP	-	1	
13	09355-54115-600	HOSE CHECK VALVE TO OUTLET	-	1	L:600>200
14	09355-54115-680	HOSE CHECK VALVE TO FUEL TANK	-	1	L:680
15	85451-75100	VALVE 2 WAYS CHECK	-	1	
16	46583-85C00	CLIP	-	3	
17	34810-60A11	GAUGE ASSY, FUEL LEVEL	-	1	
18	34285-67012	.GASKET	-	1	
19	15329-85C00	SCREW	-	5	
20	89310-56B00	PROTECTOR, FUEL FILLER HOSE	-	1	
21	09122-86001	BOLT	-	2	
22	89340-60A02	CYLINDER SET, FUEL LID LOCK	-	1	

SE419TD (RHD)

FIG. 207A

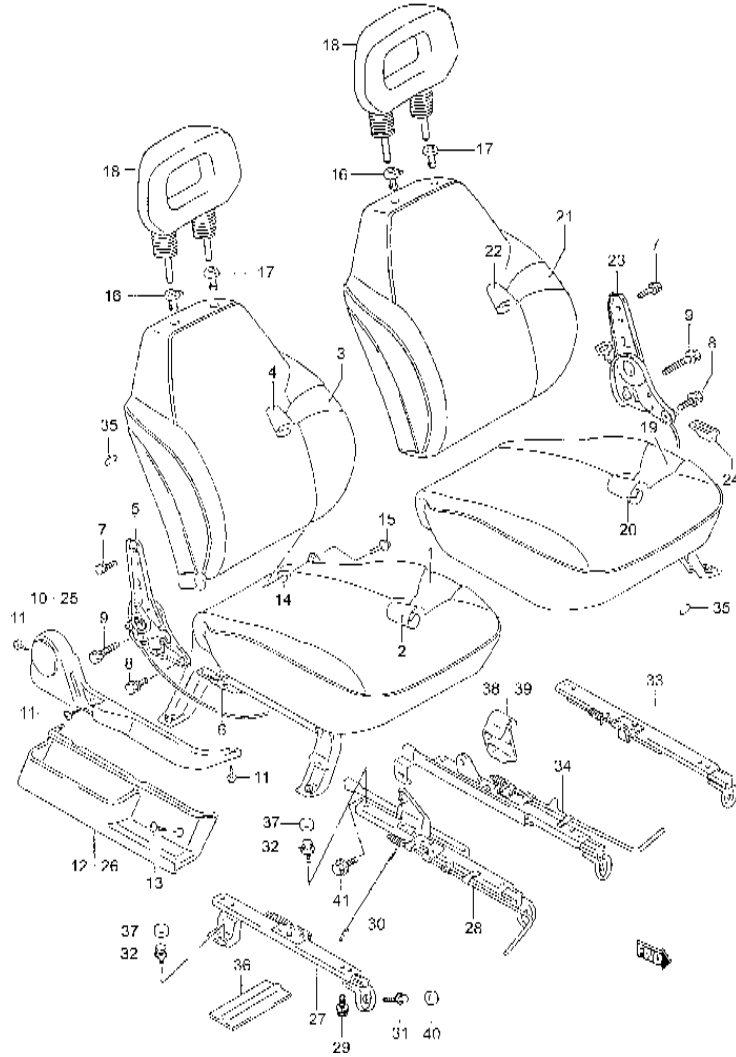


FIG.207A FRONT SEAT (3DR)

REF NO.	PART NO.	DESCRIPTION	QTY		REMARKS
			C	V	
1	85105-85C10	CUSHION SUB ASSY, RH	1	1	
2-1	85180-85C10-XT8	COVER, CUSHION RH	-	1	
2-2	85180-85C10-XT7	COVER, CUSHION RH	1	-	
3	85305-85C20	BACK SUB ASSY, RH	1	1	
4-1	85380-85C10-XT8	COVER, BACK RH	-	1	
4-2	85380-85C10-XT7	COVER, BACK RH	1	-	
5	85210-56B10	RECLINING ASSY, RH	1	1	
6	85211-60A10-T01	KNOB, RECLINING RH	1	1	GRAY
7	01107-08163	BOLT	4	4	
8	01137-10163	BOLT	2	2	
9	01137-10403	BOLT	2	2	
10	85221-85C00-T01	COVER, RECLINING RH	1	1	GRAY
11	59941-85C00	SCREW	4	4	
12	85222-85C00-T01	COVER, SEAT SIDE RH	1	1	GRAY
13	59941-85C00	SCREW	4	4	
14	85291-85C00	BUSH, SEAT BACK FIXING	2	2	
15	09136-06004	SCREW	2	2	
16	85391-60A10-5PK	GUIDE, HEADSTRAINT RH	2	2	
17	85890-60A10-5PK	GUIDE, HEADSTRAINT LH	2	2	
18	86401-85C10-T02	HEADSTRAINT ASSY	2	2	GRAY
19	85106-85C10	CUSHION SUB ASSY, LH	1	1	
20-1	85680-85C10-XT8	COVER, CUSHION LH	-	1	
20-2	85680-85C10-XT7	COVER, CUSHION LH	1	-	
21	85306-85C00	BACK SUB ASSY, LH	1	1	
22-1	85380-85C10-XT8	COVER, BACK LH	-	1	
22-2	85380-85C10-XT7	COVER, BACK LH	1	-	
23	85710-61A10	RECLINING ASSY, LH	1	1	
24	85711-60A10-T01	KNOB, RECLINING LH	1	1	
25	85721-85C00-T01	COVER, RECLINING LH	1	1	GRAY
26	85722-85C00-T01	COVER, SEAT SIDE LH	1	1	GRAY
27	86830-56B10	ADJUSTER, RH SEAT OUTSIDE	1	1	

6

SE419TD (RHD)

FIG. 207A

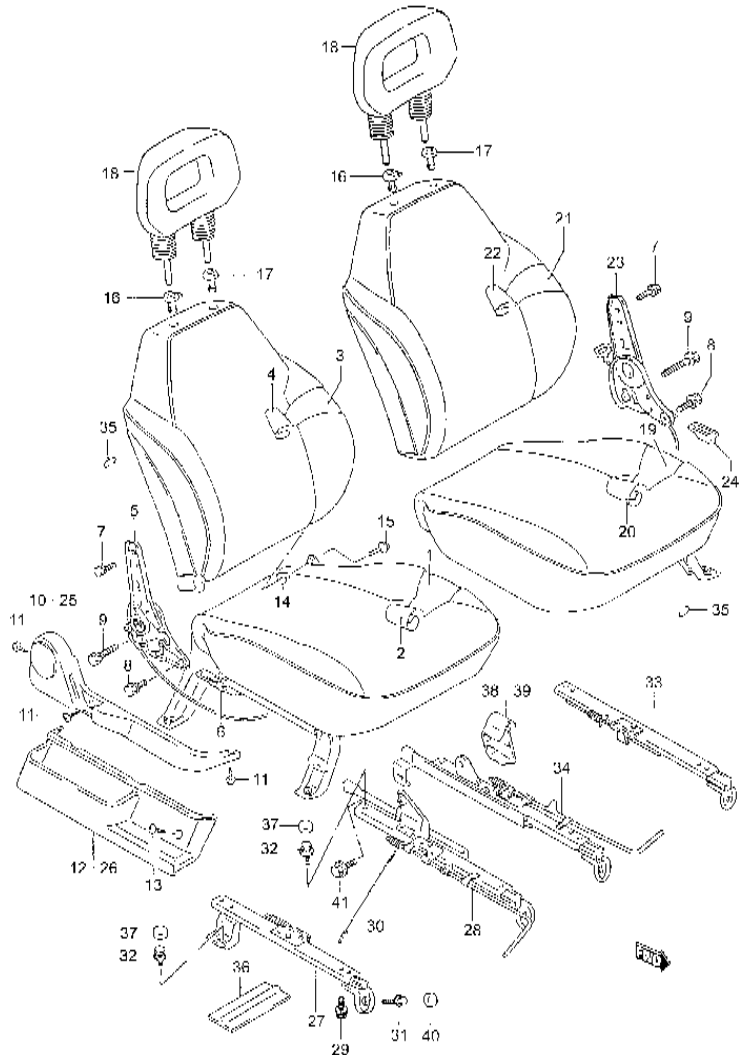


FIG.207A FRONT SEAT (3DR)

REF NO.	PART NO.	DESCRIPTION	QTY		REMARKS
			C	V	
28	86610-70E00	ADJUSTER, RH SEAT INSIDE	1	1	
29	86724-60A00	BOLT, SEAT	8	8	
30	86731-60A00	WIRE, ADJUSTER	2	2	
31	09118-08084	BOLT	4	4	8X20
32	86726-85C00	BOLT, RAIL REAR	4	4	
33	86630-56B10	ADJUSTER, LH SEAT OUTSIDE	1	1	
34	86810-70E10	ADJUSTER, LH SEAT INSIDE	1	1	
35	09387-86C00	RING	AR	AR	
36	09407-10403	CLAMP, WALK IN CABLE	1	1	
37	86615-85C00	CAP, SLIDE ADJUSTER	4	4	
38	86735-77E00-T01	COVER, ADJUSTER ANCHOR RH	1	1	GRAY
39	86736-77E00-T01	COVER, ADJUSTER ANCHOR LH	1	1	GRAY
40	86615-85C00	CAP, SLIDE ADJUSTER FRONT	4	4	
41	09113-10002	BOLT	2	2	10X25

SE419TD (RHD)



FIG. 208A

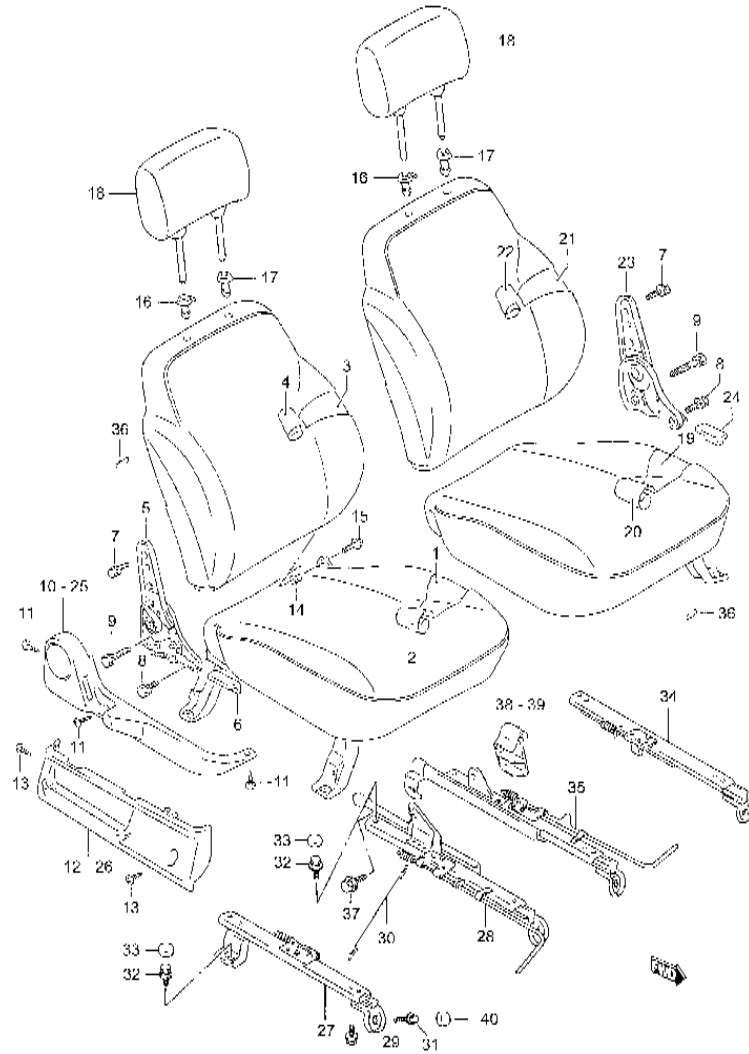


FIG.208A FRONT SEAT (5DR)

REF NO.	PART NO.	DESCRIPTION	QTY		REMARKS
			C	V	
1	85105-86C00	CUSHION SUB ASSY, RH	-	1	
2	85180-86C00-XT3	COVER, CUSHION RH	-	1	
3	85305-86C20	BACK SUB ASSY, RH	-	1	
4	85380-86C00-XT3	COVER, BACK RH	-	1	
5	85210-56B10	RECLINING ASSY, RH	-	1	
6	85211-60A10-T01	KNOB, RECLINING RH	-	1	
7	01107-08163	BOLT	-	4	
8	01500-10163	BOLT	-	2	
9	01107-10403	BOLT	-	2	
10	85221-85C00-T01	COVER, RECLINING RH	-	1	GRAY
11	59941-85C00	SCREW	-	6	
12	85222-56B10-T01	COVER, SEAT SIDE RH	-	1	GRAY
13	59941-85C00	SCREW	-	4	
14	85291-85C00	BUSH, SEAT BACK FIXING	-	2	
15	09136-06004	SCREW	-	2	6X12
16	85341-85C10-5PK	GUIDE, HEADSTRAINT RH	-	2	
17	85840-72C10-5PK	GUIDE, HEADSTRAINT LH	-	2	
18	86401-86C00-T77	HEADSTRAINT ASSY	-	2	
19	85106-86C00	CUSHION SUB ASSY, LH	-	1	
20	85680-86C00-XT3	COVER, CUSHION LH	-	1	
21	85306-86C20	BACK SUB ASSY, LH	-	1	
22	85380-86C00-XT3	COVER, BACK LH	-	1	
23	85710-60A50	RECLINING ASSY, LH	-	1	
24	85711-60A10-T01	KNOB, RECLINING LH	-	1	
25	85721-85C00-T01	COVER, RECLINING LH	-	1	GRAY
26	85722-56B10-T01	COVER, SEAT SIDE LH	-	1	GRAY
27	86610-56B51	ADJUSTER, RH SEAT OUTSIDE	-	1	
28	86610-70E00	ADJUSTER, RH SEAT INSIDE	-	1	
29	86724-60A00	BOLT, SEAT	-	8	
30	86731-56B00	WIRE ADJUSTER	-	2	

6

SE419TD (RHD)



FIG. 208A

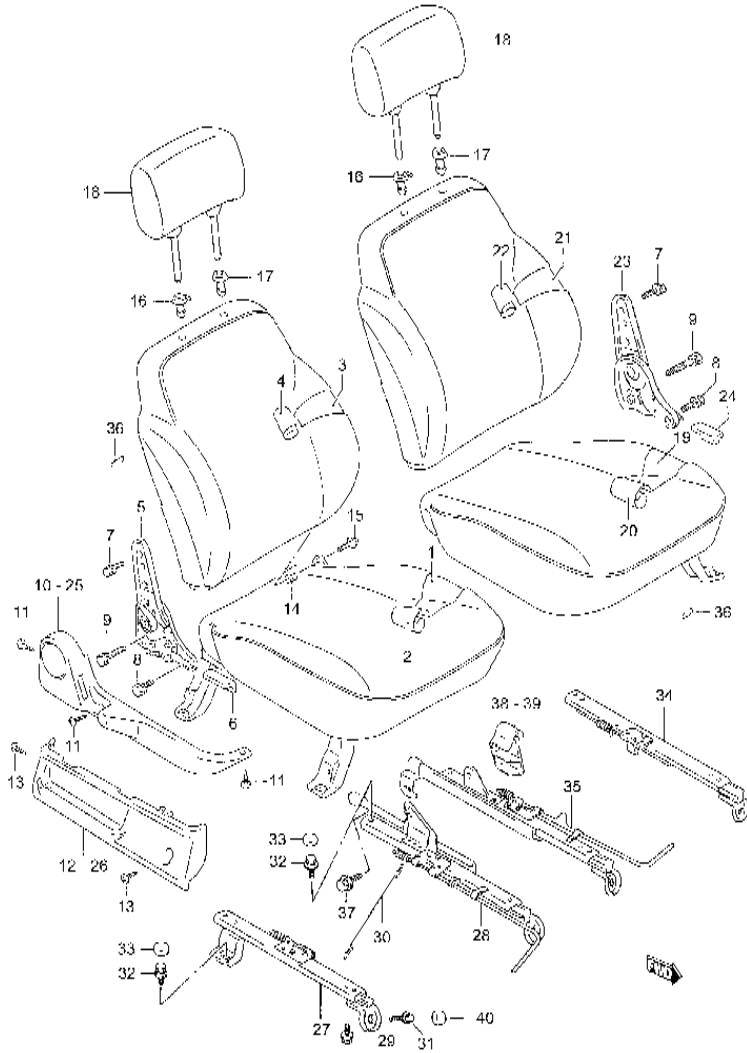


FIG.208A FRONT SEAT (5DR)

REF NO.	PART NO.	DESCRIPTION	QTY		REMARKS
			C	V	
31	09118-08084	BOLT	-	4	8X20
32	86726-85C00	BOLT, RAIL REAR	-	4	
33	86615-85C00	CAP	-	2	
34	86810-56B51	ADJUSTER, LH SEAT OUTSIDE	-	1	
35	86810-70E00	ADJUSTER, LH SEAT INSIDE	-	1	
36	09387-86C00	RING	-	AR	
37	09113-10002	BOLT	-	2	10X25
38	86735-70E00-T01	COVER, ADJUSTER RH	-	1	
39	86736-70E00-T01	COVER, ADJUSTER LH	-	1	
40	86615-85C00	CAP, SLIDE ADJUSTER FRONT	-	4	

6

SE419TD (RHD)



FIG. 209A

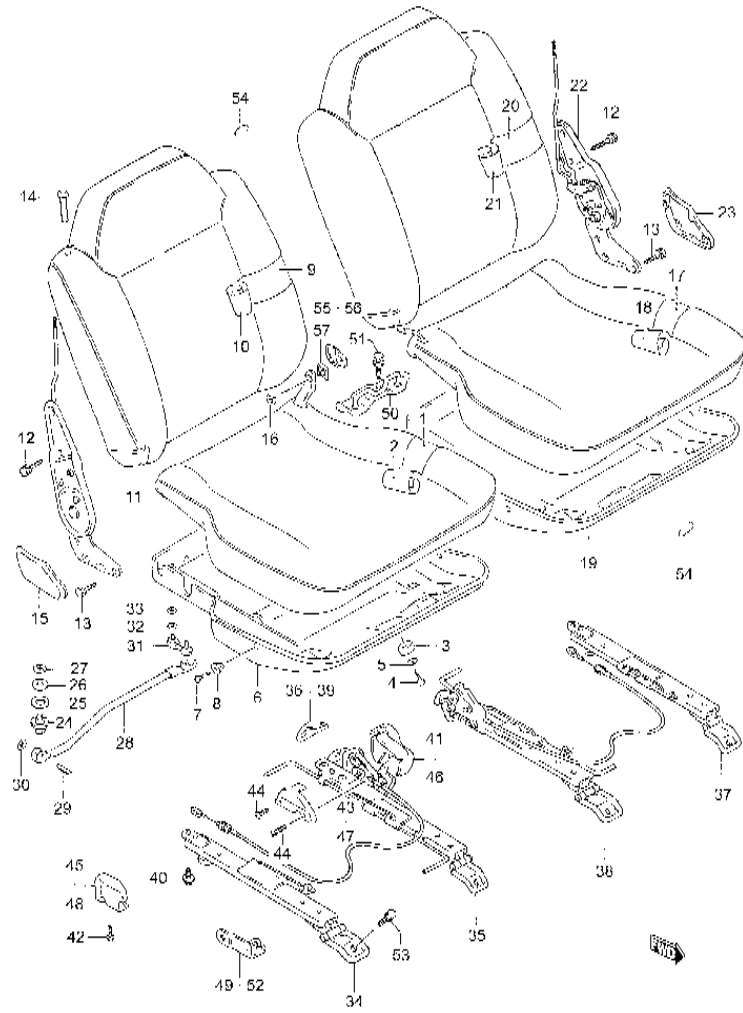


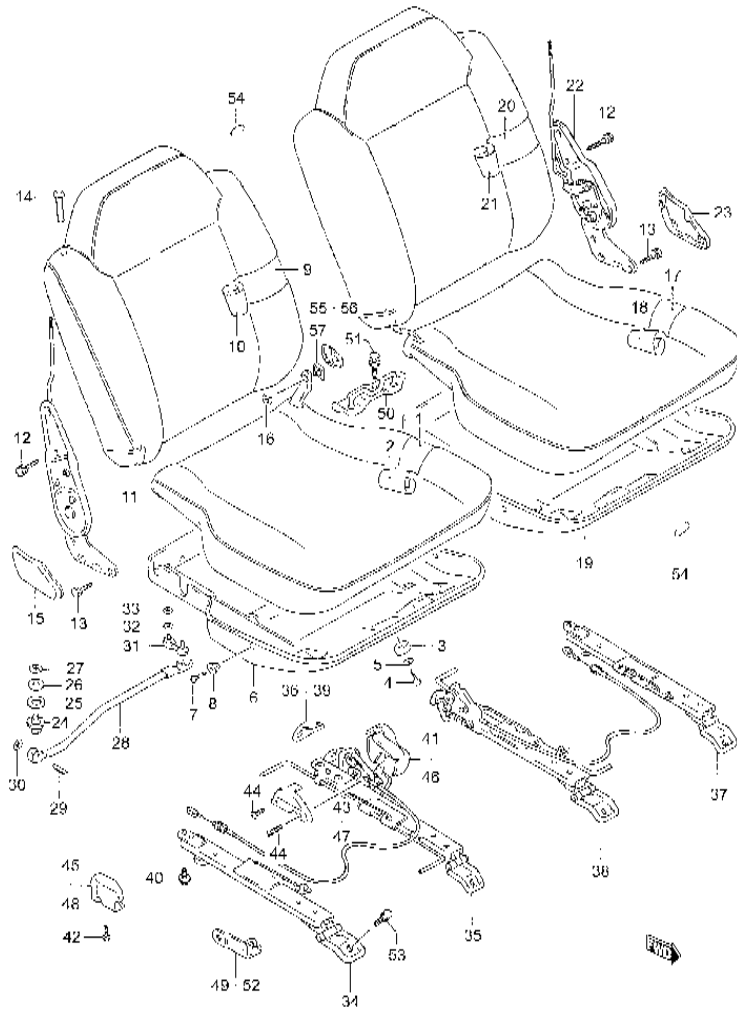
FIG.209A REAR SEAT (3DR)

REF NO.	PART NO.	DESCRIPTION	QTY		REMARKS
			C	V	
1	87105-85C10	CUSHION SUB ASSY, RH	1	-	
2	87180-60A50-J0V	COVER, CUSHION RH	1	-	
3	87291-60A10	CUSHION	2	-	
4	59941-85C00	SCREW	2	-	
5	08322-01053	WASHER	2	-	
6	87191-70E00-T01	BOARD, CUSHION UNDER RH	1	-	
7	02142-05163	SCREW	8	-	
8	09169-06071	WASHER	8	-	
9	87305-85C10	BACK SUB ASSY, RH	1	-	
10	87380-85C00-J0V	COVER, BACK RH	1	-	
11	87210-70E00	RECLINING ASSY, RH	1	-	
12	01107-08163	BOLT	4	-	
13	01107-08163	BOLT	4	-	
14	87211-70E00-T01	KNOB, SEAT BACK	2	-	
15	87221-70E00-5PK	COVER, RECLINING LOWER RH	1	-	
16	08322-11086	E RING	2	-	
17	87106-85C10	CUSHION SUB ASSY, LH	1	-	
18	87580-85C10-J0V	COVER, CUSHION RH	1	-	
19	87591-70E00-T01	BOARD, CUSHION UNDER LH	1	-	
20	87306-85C10	BACK SUB ASSY, LH	1	-	
21	87780-85C00-J0V	COVER, BACK LH	1	-	
22	87610-70E00	RECLINING ASSY, LH	1	-	
23	87621-70E00-5PK	COVER, RECLINING LOWER LH	1	-	
24	87144-60A10	PIN, STOPPER ROD	2	-	
25	87277-60A10	WASHER	2	-	
26	08322-01083	WASHER	2	-	
27	09148-08002	NUT	2	-	
28	87270-70E00	ROD, SEAT STOPPER	2	-	
29	87278-60A11	PIN	2	-	
30	09148-03011	NUT	2	-	
31	87279-60A11	HOLDER, STOPPER ROD	2	-	

6

SE419TD (RHD)

FIG. 209A



6

FIG.209A REAR SEAT (3DR)

REF NO.	PART NO.	DESCRIPTION	QTY		REMARKS
			C	V	
32	09160-84C00	WASHER	4	-	
33	09148-06005	NUT	4	-	
34	87810-70E00	ADJUSTER, RH SEAT OUTSIDE	1	-	
35	87820-70E00	ADJUSTER, RH SEAT INSIDE	1	-	
36	87836-60A00-5PK	.KNOB, SEAT LOCK LEVER	1	-	
37	87910-70E00	ADJUSTER LH SEAT OUTSIDE	1	-	
38	87920-70E00	ADJUSTER, LH SEAT INSIDE	1	-	
39	87936-60A00-5PK	.KNOB, SEAT LOCK LEVER	1	-	
40	01500-08253	BOLT	8	-	
41	87831-70E00-5PK	COVER, SEAT LOCK OUTER RH	1	-	
42	03241-05103	SCREW	2	-	
43	87834-70E00-5PK	COVER, SEAT LOCK INNER RH	1	-	
44	03141-04083	SCREW	4	-	
45	87835-70E00-5PK	COVER, SEAT OUTER LOCK RH	1	-	
46	87931-70E00-5PK	COVER, SEAT LOCK OUTER LH	1	-	
47	87934-70E00-5PK	COVER, SEAT LOCK INNER LH	1	-	
48	87935-70E00-5PK	COVER, SEAT OUTER LOCK LH	1	-	
49	87840-70E00	STRIKER, LOCK OUTER RH	1	-	
50	87890-70E00	STRIKER LOCK	1	-	
51	01550-10203	BOLT	2	-	
52	87940-70E00	STRIKER, LOCK OUTER LH	1	-	
53	01550-08203	BOLT	8	-	
54	09387-86C00	RING	AR	-	
55	87399-70E00	PROTECTOR, BACK HINGE RH	1	-	
56	87799-70E00	PROTECTOR, BACK HINGE LH	1	-	
57	87299-70E00	PROTECTOR, CUSHION HINGE	2	-	

SE419TD (RHD)

FIG. 210A

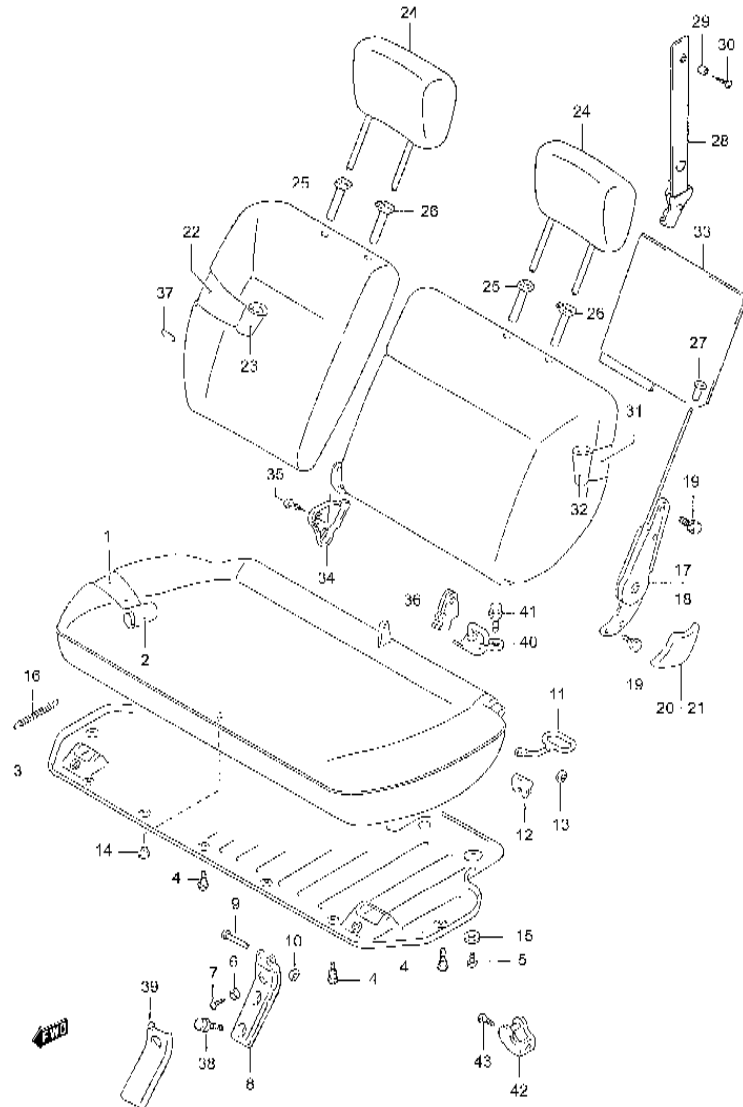


FIG.210A REAR SEAT (5DR)

REF NO.	PART NO.	DESCRIPTION	QTY		REMARKS
			C	V	
1	87105-86C00	CUSHION SUB ASSY, SEAT	-	1	
2	87180-86C00-XT3	COVER, CUSHION	-	1	
3	87191-56B11-T61	BOARD, SEAT CUSHION UNDER	-	1	
4	87198-56B10	SCREW, CUSHION BOARD	-	9	
5	02142-06163	SCREW	-	2	
6	87196-83000	CUSHION	-	2	
7	03241-05103	SCREW	-	2	
8	87250-56B10	MAIL, REAR SEAT HINGE	-	2	
9	87259-56B10	PIN, REAR SEAT HINGE	-	2	
10	09148-06005	NUT	-	2	
11	87281-56B10	HANDLE, SEAT LOCK	-	1	
12	87199-56B10	PROTECTOR, SEAT LOCK HANDLE	-	1	
13	09148-06005	NUT	-	1	
14	87292-65C10	CUSHION, SEAT LOCK	-	2	
15	87292-60A40	CUSHION, SEAT STOPPER	-	2	
16	09443-14015	SPRING	-	1	
17	87210-56BH0	HINGE, SEAT BACK RH	-	1	
18	87610-56BH0	HINGE, SEAT BACK LH	-	1	
19	01107-08163	BOLT	-	8	
20	87221-56B11-5PK	COVER, SEAT RECLINING LOWER RH	-	1	
21	87621-56B11-5PK	COVER, SEAT RECLINING LOWER LH	-	1	
22	87305-86C00	BACK SUB ASSY, RH	-	1	
23	87380-86C00-XT3	COVER, BACK LH	-	1	
24	86401-56B52-T77	HEADSTRAINT ASSY	-	2	
25	85341-85C10-5PK	GUIDE, HEADSTRAINT RH	-	2	
26	85840-72C10-5PK	GUIDE, HEADSTRAINT LH	-	2	
27	87211-60A10-5PK	KNOB, REAR SEAT RECLINING	-	2	
28	87270-56B20	BAND, REAR SEAT STOPPER	-	1	
29	87327-83000	COLLAR, SEAT STOPPER BAND	-	1	
30	59941-85C00	SCREW	-	1	

6

SE419TD (RHD)

FIG. 210A

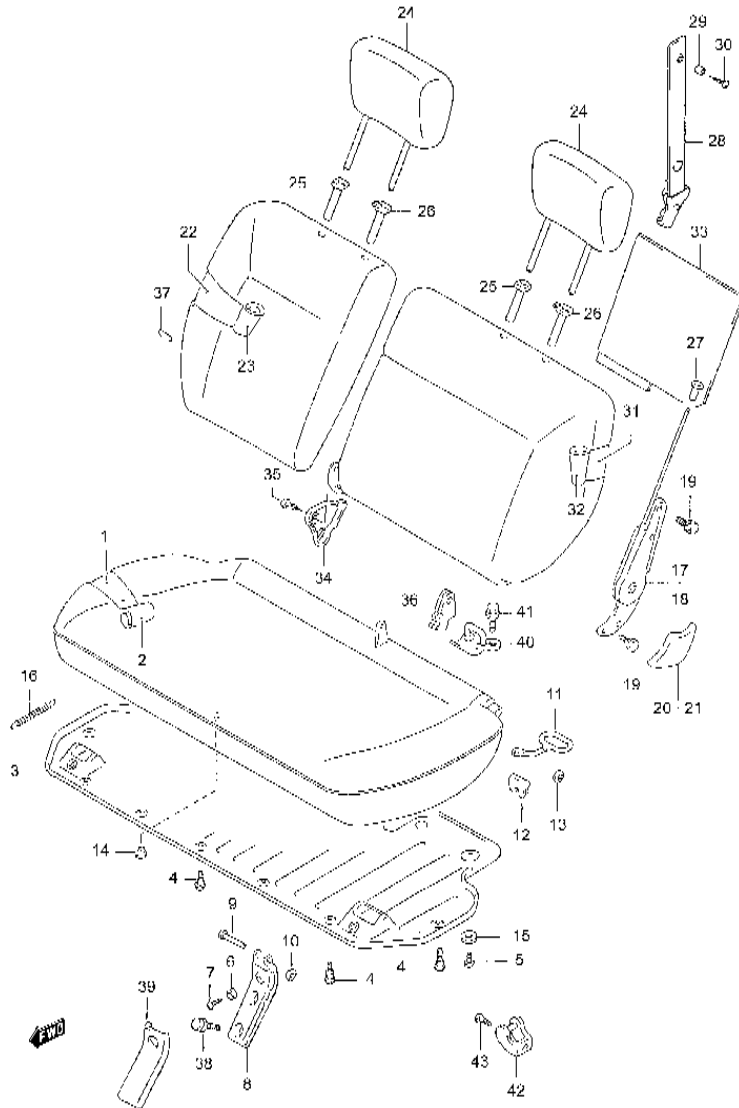


FIG.210A REAR SEAT (5DR)

REF NO.	PART NO.	DESCRIPTION	QTY		REMARKS
			C	V	
31	87306-86C00	BACK SUB ASSY, LH	-	1	
32	87780-86C00-XT3	COVER, BACK LH	-	1	
33	87789-56B11	BOARD, SEAT BACK UNDER	-	1	
34	87399-56BF0-5PK	COVER, RR SEAT INNER HINGE	-	1	
35	87799-56B10	BUSH, RR SEAT INNER HINGE	-	1	
36	87299-56B10-5PK	PROTECTOR, INNER HINGE	-	1	BLACK
37	09387-86C00	RING	-	AR	
38	01550-08203	BOLT	-	4	
39	87264-56B10-5PK	COVER, RR SEAT HINGE MALE	-	1	BLACK
40	87890-56B10	STRIKER, RR SEAT LOCK	-	2	
41	01550-10203	BOLT	-	4	
42	87831-56B11	HANGER, RR SEAT STOPPER BAND	-	1	
43	02122-06203	SCREW	-	1	

SE419TD (RHD)



FIG. 212A

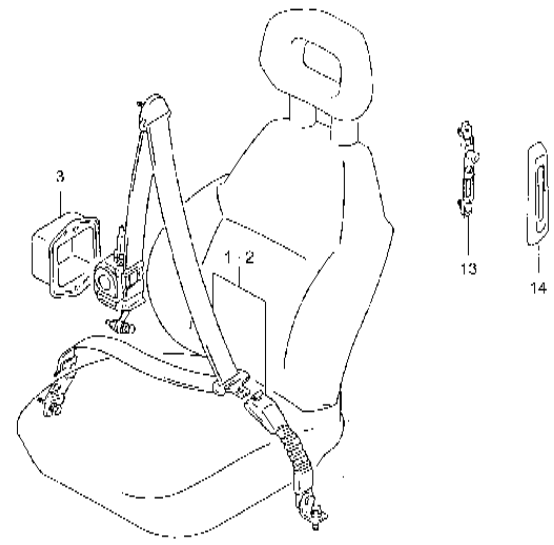
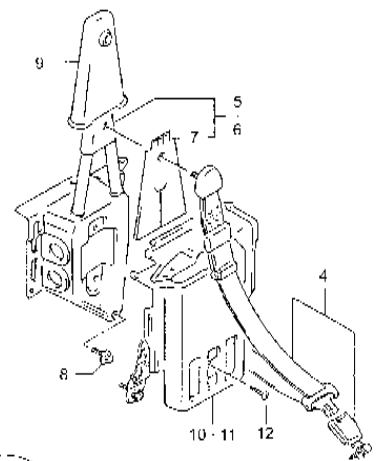


FIG.212A SEAT BELT (3DR)

REF NO.	PART NO.	DESCRIPTION	QTY		REMARKS
			C	V	
1	84901-85C31	BELT ASSY, FRONT RH	1	1	
2	84902-85C31	BELT ASSY, FRONT LH	1	1	
3	84294-63A10	COVER, ELR DUST	2	2	
4	84904-85C01	BELT, ASSY REAR	2	-	
5	87850-60A50	STAY, RR SHOULDER ANCHOR. RH	1	-	
6	87860-85C00	STAY, RR SHOULDER ANCHOR. LH	1	-	
7	84958-60A10	.PAD, RR SHOULDER ANCHOR.	2	-	
8	01550-08203	BOLT	8	-	
9	84955-85C10-T01	COVER, SHOULDER ANCHOR.	2	-	GRAY
10	84596-85C10-T01	TRIM, SHOULDER ANCHOR. RH	1	-	GRAY
11	84966-85C10-T01	TRIM, SHOULDER ANCHOR. LH	1	-	GRAY
12	03241-16163	SCREW	2	-	
13	84991-70E00-6GS	ADJUSTER, FRONT SHOULDER	2	2	
14	84992-50E00-6GS	COVER, ADJUSTER	2	2	GRAY

6

SE419TD (RHD)

FIG. 213A

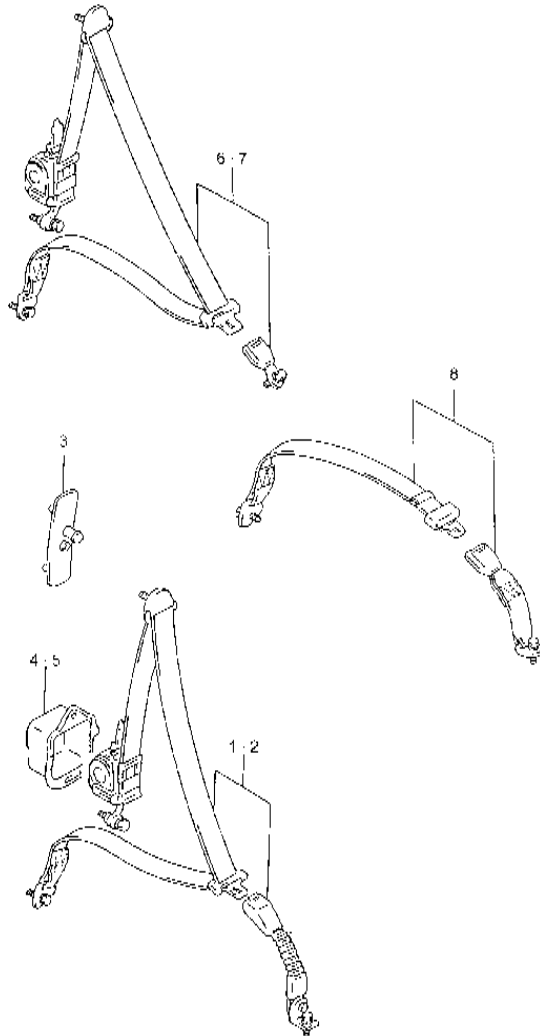


FIG.213A SEAT BELT (3DR)

REF NO.	PART NO.	DESCRIPTION	QTY		REMARKS
			C	V	
1	84901-86C01	BELT ASSY, FRONT RH	-	1	BLACK
2	84902-86C01	BELT ASSY, FRONT LH	-	1	BLACK
3	84990-56B00-6GS	ADJUSTER, BELT SHOULDER	-	2	
4	84924-56B10	COVER, ELR DUST RH	-	1	
5	84925-56B10	COVER, ELR DUST LH	-	1	
6	84904-86C11	BELT ASSY, RR RH	-	1	BLACK
7	84905-86C11	BELT ASSY, RR LH	-	1	BLACK
8	84906-86C01	BELT ASSY, RR CENTER	-	1	

6

SE419TD (RHD)

## **PARTS NUMBER INDEX**



7

PART NO.	FIG NO.-REF NO.	PART NO.	FIG NO.-REF NO.	PART NO.	FIG NO.-REF NO.
<b>10000</b>		15899-85C00	36A 14 40A 19 123A 18	23265-84C00	48A 4
		15910-86CC0	18A 1	23266-85C00	48A 10
		15926-86CA0	18A 2	23269-60A00	48A 9
				23710-86CA0	48A 14
				23910-56B10	48A 20
11029-86CA0	123A 22	15927-86CA0	18A 3	239T2-84CA0	48A 25
11119-86CA4	42B 8	15928-86CA0	18A 4	23915-60A00	48A 23
	43A 13	17110-86CA0	40A 8	23916-85C00	18A 5
11119-86CB1	42B 22	17119-86CA0	40A 6	23921-86CA0	48A 18
11120-86CA0	42B 13	17521-86CA0	123A 32		
11196-85C10	205A 11	17561-86CA1	42B 14	<b>30000</b>	
	206A 11	17569-86CA1	42B 11		
11226-86CA4	42B 19	17570-86CA0	42B 15		
11228-86CB0	42B 16	17700-86CC1	40A 1		
11710-86CB0	40A 7	17700-86CDO	40A 24		
11725-86CB1	139A 23	17812-82000	40A 5	31850-85C00	96A 16
	140A 24	17841-86CDO	43A 5		96A 22
13651-86CB0	42B 18	17841-86CEO	43A 3	31850-86CA0	96A 48
13877-86CA0	144A 34	17841-86CF0	40A 26	31850-86CB0	96A 38
14181-86CB0	42B 12	17842-86CA0	43A 4	33610-86CB0-R	85A 1
15329-85C00	205A 19	17844-86CB0	43A 9	33850-86CA0	85A 2
	206A 19	17851-86CC0	43A 1	33924-86CB0	96A 2
15410-86CC0	36A 24	17859-86CA1	42B 3	33970-86CA0	96A 1
15412-86CC0	36A 25	17871-86CA0	43A 11	33999-86CA0	40A 16
15420-86CA0	36A 17	17872-86CA0	43A 8	34101-86CA0	86A 1 - 2
15421-86CA0	36A 28	17872-86CB2	43A 10	34101-86CB0	86A 1 - 1
15427-86CB0	48A 22	17873-86CB0	42B 5	34112-67E20	86A 9 - 2
	123A 36	17874-86CA0	42B 2	34112-85C00	86A 9 - 1
15811-86CA0	36A 2 - 2	17875-86CB0	42B 4	34120-79E10	86A 2 - 2
15811-86CB0	36A 2 - 1	17880-86CA0	42B 1	34120-85C10	86A 2 - 1
15816-86CA0	36A 1 - 2	17921-86CA0	123A 31	34171-80E10	86A 7
15816-86CB0	36A 1 - 1	17930-86CB1	40A 14	34145-60B00	86A 6
15823-86CC0	36A 3	17932-86CA1	40A 15	34152-77E10	86A 8 - 2
15823-86CDO	36A 4	17939-86CDO	40A 18	34152-86CA3	86A 8 - 1
15861-86CA0	36A 8 - 2	17941-86CA0	40A 22	34172-50E10	86A 10 - 2
15861-86CB0	36A 8 - 1	18119-85C30	36A 29	34172-84C30	86A 10 - 1
15861-86CC2	36A 9			34175-78900	86A 11 - 2
	123A 19			34175-84C30	86A 11 - 1
15861-86CDO	36A 12			34220-86CA0	86A 3
15864-86CA0	36A 7			34285-67012	206A 18
15864-86CEO	36A 10	<b>20000</b>		34320-67E20	86A 4 - 2
15864-86CF0	36A 6			34320-85C00	86A 4 - 1
15864-86CJ0	36A 5			34420-86CA0	86A 5 - 2
15870-86CHO	36A 23			34420-86CA2	86A 5 - 1
15891-60A11	36A 27		34810-60A11	205A 17	
15893-56B00	36A 31	22100-86CB0	48A 1	34825-67012	206A 17
15893-86CA0	36A 21 - 1	22400-86CB0	48A 3	34850-86CB0	205A 18
	36A 21 - 2	23260-86CA0	48A 5	34910-62A40	42B 17
15895-86CA0	36A 13	23264-60A00	48A 7	34926-60A00	86A 18
15895-86CB0	36A 18	23264-60A20	48A 8		

PART NO.	FIG NO.-REF NO.	PART NO.	FIG NO.-REF NO.	PART NO.	FIG NO.-REF NO.
34955-60E00	86A 16		94A 50		206A 16
35156-00000	94A 2		94A 80	48200-85C00	114A 1
35157-00000	94A 3		96A 9	48220-86CA0	114A 5
35180-85C00	96A 30		205A 12	48225-56B50	114A 6
35186-70A01	96A 31		206A 12	48227-56B00	118A 26
35331-86CB0	40A 13	36990-85CT0	163B 31	48229-60A00	114A 7
35336-86CB0	118A 2	36990-85C20	94A 52 - 1	48239-85C00	114A 8
35337-86CA0	118A 10		94A 52 - 2	48400-77E10	114A 10
35340-86CB0	118A 20 - 1		94A 53	48491-77E00	114A 2
35346-86CA0	96A 37		94A 60	48600-85C20	116A 1
35380-86CA0	96A 47	36990-85C30	94A 55	48644-80010	116A 3
36283-70E80	94A 82		94A 62	48671-85C20	116A 2
36550-85C00	96A 27	36995-60A10	94A 72	48674-63240	116A 4
36614-70E10	94A 15	36996-70E00	94A 37	48691-60A21	116A 5
36620-86CHO	94A 38	37280-60G00	96A 5	48721-60A00	116A 9
36630-71E70	94A 41 - 1	37285-60E00	96A 29	48750-80A00	116A 11
36630-85FA0	94A 41 - 2	37399-60E10	96A 15	48760-60A01	116A 15
36635-60A00-T01	169A 1		96A 6	48771-60A00	116A 10
	170A 1	37400-77EA1	96A 7 - 2	48775-60A00	116A 7
36640-77E20	94A 45	37400-77EG0	96A 7 - 1	48810-85C00	116A 20
36650-86CG0	94A 51	37670-61A00	96A 12 - 1	48814-85C00	116A 21
36660-61A00	94A 61		96A 12 - 2	48817-85C00	116A 27
36667-60A00	94A 64	37740-60D01	96A 10	48820-85C00	116A 26
	94A 76	37860-70F00	96A 13	48836-85C00	116A 24
36717-77E01	94A 5	37955-60E00	96A 33	48850-85C00	116A 17
36735-77E13	94A 30	38500-85CT11	96A 17	49100-86C00	118A 1
36737-86CB0	94A 28	38590-85C00	96A 20	49140-56B00	118A 11
	96A 52	38610-85C00	96A 19	49141-60A00	118A 12
36740-77E10	94A 21	38650-85C00	96A 34	49210-56B00	118A 22
36757-82100	94A 77	38860-86CB0	96A 39	49210-56B21	118A 28
36795-82000	94A 6	38861-86CA0	96A 40	49214-86CDO	118A 29
36820-56B00	94A 68 - 2	39283-85C00	141A 13	49220-56B10	118A 21
36820B60A30	94A 68 - 1	39312-60A01	94A 70	49223-60A00	118A 24
36845-85C21	94A 63	39400-85C00	96A 23	49224-60A00	118A 23
36890-82000	94A 73	39471-60A00	96A 25	49225-56B00	118A 30
36910-86CEO	94A 1	39472-82000	96A 26	49226-56B00	118A 25
36930-85C00	94A 43 - 1			49251-85C00	118A 31
	94A 43 - 2			49252-86CA0	118A 32
	94A 69			49410-62A01	120A 1
	94A 71			49416-60A00	120A 9
	94A 74			49451-60B00	120A 3
	94A 79			49481-85C00	120A 2
	96A 32			49511-60A00	120A 7
36930-85C10	94A 48	<b>40000</b>		49610-62A00	120A 13
36990-56B00	94A 34			49691-62A00	120A 18
36990-85C00	86A 13	45070-86CA0	118A 5	49710-62A53	120A 33
36990-85C01	48A 12	45071-86CA0	123A 26	49711-86CA0	120A 35
	85A 6	45072-86CA0	118A 17	49711-86CB0	120A 36
	94A 17	46583-85C00	36A 16	49751-79001	120A 14
	94A 18		205A 16		120A 21



PART NO.	FIG NO.-REF NO.	PART NO.	FIG NO.-REF NO.	PART NO.	FIG NO.-REF NO.
64241-61A00	148A 24		148A 31		140A 8
64250-56B01	149A 37	65965-60A00	147A 39	71513-60A00	139A 9
64250-61A00	148A 28	65965-61A00	148A 32		140A 9
64250-62A20	147A 31		149A 45	71514-56B00	139A 10
64310-56B01	149A 39	65966-60A00	147A 40		140A 10
64310-60A00	147A 29	65966-61A00	148A 33	71515-60A00	139A 11
64310-61A01	148A 26		149A 46		140A 11
64360-56B00	149A 41	65971-77E00	145A 17	71516-85C00	139A 12
64370-56B10	149A 43		146A 15		140A 12
64417-60A00	147A 25	68001-57B11	192A 1	71517-56B02	139A 13
64500-85C80	147A 18	68001-66A11	189A 1		140A 13
64511-57B20	149A 20	68002-57B11	192A 2	71521-56B00	139A 14
64511-61A10	148A 15	68002-66A11	189A 2	71521-60A00	140A 14
64512-56B00	149A 22	68003-57B12	195A 1	71632-83010	139A 15
64512-85C00	148A 35-2	68004-57B12	195A 2		140A 15
64515-60A02	147A 22	69100-61A50	199A 1	71700-56810-5PK	153A 1
64516-60A00	147A 24	69310-85C00	189A 3	71720-56B10	153A 2
64520-57B01	149A 24		192A 3	71751-63A00	155A 3
64520-60A10	147A 28	69340-85C00	189A 4	71752-63A00	155A 4
	148A 19		192A 4	71752-86000	155A 2
64530-61A00	148A 21	69410-56B10	195A 3	71771-56B00	153A 3
	149A 26	69430-56B10	195A 4	71811-56B10-5PK	156A 1
64541-61A00	148A 23	69440-56B10	195A 5	71811-63A30-5PK	155A 1
64550-62A20	147A 32	69460-56B10	195A 6	71815-60A01	155A 6
64611-56B00	149A 29	69510-85C00	199A 2		156A 2
64621-56B00	149A 32	69520-85C00	199A 3	71816-60A01	155A 7
64631-56B10	149A 34				156A 3
64641-56B10	149A 36			71817-56B00-5PK	156A 4
64641-61A00	148A 25			71820-56B21	156A 5
64650-56B01	149A 38			71820-63A11	155A 8
64650-61A00	148A 29			71827-56B10	156A 6
64710-56B11	149A 40			71828-56B10	156A 7
64710-60A10	147A 30			71830-56B00	156A 9
64710-61A21	148A 27			71840-56B00	156A 10
64760-56B00	149A 42			71854-60A00	155A 9
65110-60A00	147A 34			71859-60A00	155A 10
65111-56B00	151A 1	71410-86CC0	139A 1	72111-56B11-799	153A 7
65111-61A10	150A 1		140A 1	72115-56B01	153A 8
65115-60A00	147A 35	71420-86CC0	139A 2	72115-60A00	153A 9
65120-56B00	151A 2		140A 2	72115-85C00	169A 3
		71451-60A00	140A 3		
65120-60A10	147A 36	71461-56B00	139A 3		170A 3
65120-61A00	150A 2		140A 4		172A 1
65130-61A20	150A 3	71471-56B00	139A 4		173A 1
	151A 3		140A 5	72121-56B00	153A 10
65132-60A10	151A 5	71481-56B00	139A 5	72211-56B01	139A 16
65132-61A10	150A 5		140A 6		140A 16
65141-56B00	151A 4	71491-56B00	139A 6	72281-56B00	156A 16
65141-61A20	150A 4	71511-56B00	139A 7	72372-85C00	141A 4
65950-56B10	149A 44	71511-60A00	140A 7	72411-60A01	144A 4
65950-60A00	147A 38	71512-60A00	139A 8	72421-60A00	144A 26

70000

PART NO.	FIG NO.-REF NO.	PART NO.	FIG NO.-REF NO.	PART NO.	FIG NO.-REF NO.
72431-60A02	141A 5	73940-77E40-T01	159A 67	75221-77E00	167A 8
72471-60A00	144A 27	74100-64A21	163B 1		168A 9
72481-85C00	142A 7	74111-64A21	163B 2	75270-86CB0	141A 14
72482-85C00	142A 8	74112-64A20	163B 3	75511-60A10	172A 2
72511-60A02	144A 30	74113-60A00	163B 4		173A 2
72512-85C01	144A 31	74115-64A00	163B 5	75512-56B00	173A 3
72512-86CA0	144A 32	74116-60A00	163B 6	75611-60A01	172A 4
72810-85C00	182A 1	74120-64A00	163B 11		173A 5
73111-77E02-T01	159A 1	74133-82000	163B 7	75711-60A01	172A 5
73231-77E00	159A 12	74151-70D01	163B 8		173A 6
73242-77E00	159A 13	74161-61A10	163B 9	75930-77E20	159A 39
73250-77E01	159A 14	74162-60A10	163B 10	75957-77E00	94A 36
73261-60G00	159A 2	74170-64A00	163B 20	75958-77E00	159A 40
73311-77E00-5PK	159A 3	74171-60A00	163B 14	76110-56B10-T02	171A 3
73410-77E00-T01	159A 8	74172-64A00	163B 15	76110-66A40-T02	169A 6
73413-82C00	159A 60	74173-60A10	163B 18	76110-67A10-T02	170A 4
73419-50G00	159A 11	74174-60A00	163B 19	76120-56B10-T02	171A 4
73423-50G00	159A 61	74176-64A01	163B 16	76120-66A90-T02	169A 7
	159A 9	74180-64A00	163B 21	76120-67A10-T02	170A 5
73430-77E00-T01	159A 10	74183-82005	163B 17	76131-56B00-T01	171A 8
73461-77E00	159A 15	74190-64A00	163B 22	76141-56B00-T01	171A 9
73610-77E00-T01	161A 1	74199-60A00	163B 12	76152-56B00-T01	171A 11
73620-77E00-T01	161A 2	74400-78E40	163B 26	76153-56B00-T01	171A 12
73671-83000-T01	161A 3	74436-78E01	163B 29	76240-78E00-5PK	169A 9
73681-77E00	161A 6	74452-78E00	163B 27		170A 7
73691-77E00	161A 7	74453-85C80	163B 28	76241-77E00-5PK	171A 14
73811-77E00-T01	159A 16	74461-78E00-5PK	163B 30	76242-56B00-5PK	171A 16
73813-77E00-T01	159A 17	74510-63G01-5PK	163B 33-1	76242-78E00-5PK	169A 10
73821-77E00-T01	159A 18	74510-63G11-5PK	163B 33-2		170A 8
73822-77E00-T01	159A 19	74513-63G00	163B 34	76246-77E00-5PK	171A 15
73841-78E00-5PK	159A 22	74514-63G00	163B 35	76247-78E00-5PK	169A 11
73845-78E00	159A 57	74515-63G00	159A 56		170A 9
73861-77E00	159A 20	74615-60A00	161A 8	76251-56B00-T01	171A 17
73871-77E00-T01	159A 21	74620-60A00	163B 40	76261-56B00-T01	171A 18
73880-77E00	159A 34	74621-77E00	161A 9	76271-60A10-T01	169A 17
73892-77E00	159A 35	74631-60A10	161A 10	76283A60A30-6GS	169A 19
73911-62A20-T01	166A 1	74632-60A00	161A 11	76292-56B00-T01	171A 6
73915-60A00	166A 13	74633-60A00	161A 12	76293-56B00-T01	171A 7
73921-77E40-T01	159A 62	74812-82010	163B 23	76311-56B00-T01	171A 20
73921-79E00-T01	166A 4	74911-64A00	161A 15	76311-62A20-6GS	169A 12
73922-77E40-T01	159A 63	75140-56B00-T02	171A 1	76321-56B00-T01	171A 21
73923-56B00	166A 11	75140-60A10-T02	169A 4	76321-62A20-6GS	169A 13
73923-77E40	159A 64	75150-56B00-T02	171A 2	76331-56B10-6GS	171A 22
73924-77E40-T01	159A 65	75150-60A10-T02	169A 5	76331-60A00	169A 15
73927-77E40	159A 71	75160-57B30-T19	168A 1	76341-56B10-6GS	171A 23
73930-77E40-T01	159A 66	75160-85C09-T19	167A 1	76341-60A00	169A 16
73931-60A00	166A 2	75180-56B00-T19	168A 3	76351-56B00-T01	171A 25
73932-60A10	166A 3	75180-85C00	167A 3	76361-56B00-T01	171A 26
73933-56B00	166A 5	75191-56B20	168A 4	76371-56B00-T01	171A 29
73934-60A00	166A 6	75191-60A00	167A 4	76381-56B00-T01	171A 30



PART NO.	FIG NO.-REF NO.	PART NO.	FIG NO.-REF NO.	PART NO.	FIG NO.-REF NO.
76400-61831-6GS	170A 14	77545-60A10	179A 42	82610-60A01	197A 4
	171A 40	77546-56B00-5PK	180A 14	82711-56B00	192A 10
76431-77E01	159A 41 - 2	77551-66A00	179A 15		195A 12
76431-77E21	159A 41 - 1	77561-78E00	179A 22	82816-60A00	197A 9
76451-56B01	159A 42	77571-56B00-5PK	180A 4	82828-56B00	197A 11
76481-61A00	172A 10	77571-61A00-5PK	179A 4	82830-56B00-5PK	197A 7
76561-60A00	94A 42	77575-56B00-5PK	180A 5	82840-56B00-5PK	197A 8
77110-61A10	172A 13	77575-61A00-5PK	179A 5	82960-82100-T01	196A 12
77111-56B00-OCE	173A 11	77591-75000	197A 14	82972-82100-T01	196A 14
77117-60B00	172A 12	77611-77E01-1VN	179A 13 - 1	82973-60A01-5PK	197A 13
	173A 15		179A 17 - 1	83116-85C00	197A 17
77120-61A10	172A 14		179A 18 - 1	83140-85CA0-T01	197A 15
77121-56B00-OCE	173A 12		179A 19 - 1	83160-85CA0-T01	197A 16
77131-60A10	172A 11		179A 24 - 1	83240-85C50	197A 20
	173A 14	77611-77E01-26Y	179A 13 - 2	83250-85C50	197A 21
77259-71B00	173A 13		179A 17 - 2	83261-56B00	197A 22
	179A 25		179A 18 - 2	83271-50E00	197A 23
77300-86CB0	141A 16		179A 19 - 2	83510-56B00	196A 10
77311-60A10	180A 1		179A 24 - 2	83540-56B00	196A 11
77311-60A10-5PK	179A 1	77631-66A00	179A 12	83671-56B00	196A 4
77312-60A00	180A 2	77651-66A00	179A 16	83672-56B00	196A 5
77312-60A00-5PK	179A 2	77661-78E00	179A 23	83701-56B10-T02	192A 11
77512-56B01-5PK	180A 6	78110-56B11-6NW	171A 33	83702-56B10-T02	192A 12
77512-61A01-5PK	179A 7	78110-85C20-6NY	170A 10	83710-60A10-T02	189A 10
77513-56B00	180A 8	78121-61A00	170A 12	83722-61A00-T02	192A 13
77515-61A10-5PK	179A 6		171A 35	83730-60A10-T02	189A 11
77517-61A00	179A 9	78131-56B00-6GS	171A 37	83740-56B10-T02	195A 13
	180A 9	78199-78000	197A 5	83760-56B10-T02	195A 14
77522-56B01-5PK	180A 7	78463-78000	196A 13	83770-62A00-T02	199A 10
77522-60A01-5PK	179A 8			83795-60A00-T01	189A 12
77531-56B00-5PK	180A 11				192A 15
77531-66A00	179A 11				195A 15
77531-85C00	179A 32			83812-60A00	196A 25
77532-56B01-5PK	180A 15				196A 9
77532-85C00	179A 35			83830-56B02	196A 7
77534-60A10	179A 28	81770-56B01-OCE	196A 15	83840-56B02	196A 8
	179A 39	81780-56B01-OCE	196A 16	83870-56B00	196A 23
77535-60A10	179A 41	81810-56B01	189A 7	83880-56B00	196A 24
77536-56B00-5PK	180A 13		192A 7	83900-60B20	182A 8
77536-85C00	179A 34	81830-56B01	195A 9	83911-60X51	189A 14
77536-85C00-TVN	179A 26	81831-70B00	189A 8		192A 17
77537-60A10-1VN	179A 27 - 1		192A 8		195A 17
77537-60A10-26Y	179A 27 - 2		195A 10		199A 12
77537-60A10-5PK	179A 37	81851-85C00	199A 6	83914-85C00	199A 13
77541-56B00-5PK	180A 12	81852-61A00	199A 7	83940-61A00-5PK	199A 15
77541-85C00	179A 33	82110-77E00	141A 9	83942-61A02	199A 16
77542-56B01-5PK	180A 16	82160-85C00	141A 11	83960-85C00	182A 5
77542-85C00	179A 36	82301-56B00	197A 1	84294-63A10	212A 3
77544-60A10	179A 29	82302-56B00	197A 2	84450-82000-T01	189A 15
	179A 40	82491-56B00	197A 24		192A 18

80000

PART NO.	FIG NO.-REF NO.	PART NO.	FIG NO.-REF NO.	PART NO.	FIG NO.-REF NO.
	195A 19	84901-85C31	212A 1	85680-86C00-XT3	208A 20
84491-61A10-6GS	171A 38	84901-86C01	213A 1	85710-60A50	208A 23
84515-85C00	184A 1	84902-85C31	212A 2	85710-61A10	207A 23
84541-86C00	196A 1	84902-86C01	213A 2	85711-60A10-T01	207A 24
84546-86C00	196A 2	84904-85C01	212A 4		208A 24
84551-86C00	196A 19	84904-86C11	213A 6	85721-85C00-T01	207A 25
84556-86C00	196A 20	84905-86C11	213A 7	85722-56B10-T01	208A 26
84575-85C00	199A 14	84906-86C01	213A 8	85722-85C00-T01	207A 26
84596-85C10-T01	212A 10	84924-56B10	213A 4	85840-72C10-5PK	208A 17
84611-85C00-5PK	184A 4	84925-56B10	213A 5		
84616-61A00-5PK	184A 5	84955-85C10-T01	212A 9		210A 26
84617-61A10	184A 2	84958-60A10	212A 7	85890-60A10-5PK	207A 17
84618-85C00	184A 3	84966-85C10-T01	212A 11	86370-78000-T01	169A 21
84621-61A00-5PK	199A 17	84990-56B00-6GS	213A 3	86401-56B52-T77	210A 24
84622-85C00-5PK	199A 18	84991-70E00-6GS	212A 13	86401-85C10-T02	207A 18
84626-61A00-5PK	199A 19	84992-50E00-6GS	212A 14	86401-86C00-T77	208A 18
84627-61A00-5PK	199A 20	85105-85C10	207A 1	86610-56B51	208A 27
84641-56B01	192A 21	85105-86C00	208A 1	86610-70E00	207A 28
84641-85C01	189A 18	85106-85C10	207A 19		208A 28
84651-56B01	192A 22	85106-86C00	208A 19	86615-85C00	207A 37
84651-85C01	189A 19	85180-85C10-XT7	207A 2 - 2		207A 40
84661-56B02	195A 22	85180-85C10-XT8	207A 2 - 1		208A 33
84665-56B00	196A 21	85180-86C00-XT3	208A 2		208A 40
84671-56B02	195A 23	85210-56B10	207A 5	86630-56B10	207A 33
84675-56B00	196A 22		208A 5	86724-60A00	207A 29
84681-61A01-5PK	199A 21	85211-60A10-T01	207A 6		208A 29
84701-56B20-5PK	202A 1		208A 6	86726-85C00	207A 32
	202A 4	85221-85C00-T01	207A 10		208A 32
84701-61A20-5PK	201A 1		208A 10	86731-56B00	208A 30
84702-61A20-5PK	201A 4	85222-56B10-T01	208A 12	86731-60A00	207A 30
84703-85C10-T01	201A 10	85222-85C00-T01	207A 12	86735-70E00-T01	208A 38
	202A 10	85291-85C00	207A 14	86735-77E00-T01	207A 38
84720-61A00	201A 2		208A 14	86736-70E00-T01	208A 39
	202A 2	85305-85C20	207A 3	86736-77E00-T01	207A 39
84750-56B01-5PK	202A 8	85305-86C20	208A 3	86810-56B51	208A 34
84750-85C00-5PK	201A 8	85306-85C00	207A 21	86810-70E00	208A 35
84760-61A00	201A 5	85306-86C20	208A 21	86810-70E10	207A 34
	202A 5	85341-85C10-5PK	208A 16	86830-56B10	207A 27
84781-85C00-6GS	201A 12		210A 25	87105-85C10	209A 1
	202A 12	85380-85C10-XT7	207A 22 - 2	87105-86C00	210A 1
84782-85C00	201A 11		207A 4 - 2	87106-85C10	209A 17
	202A 11	85380-85C10-XT8	207A 22 - 1	87144-60A10	209A 24
84790-56B01-5PK	202A 9		207A 4 - 1	87180-60A50-J0V	209A 2
84790-85C00-5PK	201A 9	85380-86C00-XT3	208A 22	87180-86C00-XT3	210A 2
84801-60A00-6NY	201A 14		208A 4	87191-56B11-T61	210A 3
	202A 14	85391-60A10-5PK	207A 16	87191-70E00-T01	209A 6
84802-60A00-6NY	201A 15	85451-75100	205A 15	87196-83000	210A 6
	202A 15		206A 15	87198-56B10	210A 4
84851-60B00-6GS	201A 16	85680-85C10-XT7	207A 20 - 2	87199-56B10	210A 12
	202A 16	85680-85C10-XT8	207A 20 - 1	87210-56B10	210A 17





PART NO.	FIG NO.-REF NO.	PART NO.	FIG NO.-REF NO.	PART NO.	FIG NO.-REF NO.
	159A 33 159A 37 159A 38 159A 6 159A 69		199A 9 118A 19 120A 19 120A 29 96A 44		208A 15 197A 6 94A 27 36A 22 94A 66
	159A 7 159A 70 159A 72 161A 14 161A 4	08321-01063 08321-01083 08321A31053 08321A31123	96A 46 123A 28 123A 30 94A 81 114A 13	09139-06052 09139-06099 09140-10019 09140-10043	155A 11 156A 11 159A 49 123A 11 96A 11
03541-05203 04111-30208	161A 5 166A 12 86A 14 159A 73 116A 19	08322-01053 08322-01063 08322-01083	116A 13 209A 5 48A 19 118A 4 123A 24	09140-16022 09140-16023 09148-03011 09148-04021 09148-06005	116A 23 116A 25 209A 30 172A 16 209A 33
07130-08302 08002-86CA0	116A 30 118A 6 40A 27 43A 14 43A 16	08322-11086 08322-11103 08361-15063	199A 8 209A 26 209A 16 120A 28 144A 33	09148-06014 09148-08002 09148A05005	210A 10 210A 13 159A 26 209A 27 86A 15
08011-86CA0 08012-86CA0	43A 7 118A 36 123A 37 118A 37 123A 34	09100-06088 09100-06150 09100-08184 09100-08294	120A 31 120A 11 114A 3 159A 43 159A 44	09148A05006 09159-12024 09159-86CA0 09160-06079	153A 12 169A 22 182A 7 123A 23 141A 18
08013-86CA0 08310-00053 08310-00063	40A 28 43A 15 96A 43 96A 45 129A 37	09100-10226 09103-10122 09103-12403 09113-10002	159A 45 120A 15 120A 27 140A 17 207A 41	09160-09016 09160-12079 09160-84C00 09168-14009 09168-16002	120A 6 116A 12 209A 32 118A 34 118A 35
08310-00083 08310-00103 08310-00123	156A 8 163B 25 116A 8 114A 9 116A 14	09115-06001 09116-05014	208A 37 85A 3 94A 19 205A 7 206A 7	09169-06065 09169-06071 09180-10121 09180-10135	40A 9 118A 15 209A 8 120A 17 120A 26
08310-12083 08314-40123 08316-10063	48A 13 123A 10 116A 18 116A 29 40A 11	09118-08084 09118-08156	207A 31 208A 31 189A 5 192A 5 195A 7	09205-03019 09205-05003 09209-05017 09209-13018 09209-14001	48A 6 123A 4 197A 10 48A 17 141A 6
	94A 33 96A 4 96A 54 120A 12 179A 21	09122-86001 09125-06041	199A 4 199A 5 206A 21 170A 15 171A 41	09231-10023 09250-05011 09250-08005	141A 7 172A 18 173A 17 172A 19 172A 20
08316-10083 08316-20063	179A 38 129A 25 118A 14 120A 32 197A 12	09127-05016 09129-06002 09136-05030 09136-06004	201A 17 202A 17 94A 46 114A 12 207A 15	09250-16013 09250-20002	173A 18 173A 19 172A 17 173A 16 172A 7

PART NO.	FIG NO.-REF NO.	PART NO.	FIG NO.-REF NO.	PART NO.	FIG NO.-REF NO.
09250-25007	173A 8 94A 67 172A 8 173A 9 94A 78	09407-05403	94A 12 94A 13 94A 9 207A 36 94A 47 - 1	09443-14015 09448-86CA0 09471-12091 09471-12135 09481-15101	210A 16 120A 5 96A 28 96A 14 94A 22
09250-25008	94A 49 172A 9 173A 10 120A 10 120A 16	09407-12404	94A 47 - 2 85A 5 94A 10 - 1 94A 10 - 2 94A 10 - 3	09481-25103 09481-30203 09481-50203 09481-60202 09481-80301	94A 4 94A 23 94A 24 94A 25 94A 26
09307-09001 09308-03005 09308-10004 09308-25002	120A 22 120A 4 94A 75 40A 20 94A 35	09407-17401 09408-00024 09408A00121	94A 11 94A 59 94A 14 94A 57 36A 20		
09308-28001 09308-42001 09320-86CA0	94A 65 94A 44 - 1 94A 44 - 2 40A 10 118A 16	09409-05309-T01 09409-06309-5ES 09409-06314-T01 09409-06318	171A 27 141A 15 166A 8 - 1 166A 8 - 2 139A 18	M9103-86CA2 M9103-86CA3	42B 21 42B 20
09321-06026 09352-70111-610 09355-13205 09355-54115-600	120A 30 40A 17 205A 10 205A 13 206A 13	09409-06319 09409-07308-5PK 09409-07313	140A 19 180A 17 179A 3 180A 3 153A 13		
09355-54115-680 09387-86C00	205A 14 206A 14 207A 35 208A 36 209A 54	09409-07318-5ES 09409-07318-T01 09409-07320	170A 2 169A 2 171A 28 94A 58 94A 8		
09400-18302 09400-52312 09401-18403	210A 37 118A 27 205A 9 206A 9 43A 12	09409-08308-5ES 09409-08308-T01 09409-08309 09409-08320	142A 11 169A 18 171A 5 169A 8 170A 6		
09401-27402 09402-46511 09403-06404 09403-07306	116A 22 116A 28 43A 2 129A 30 86A 12	09409-08326	189A 13 192A 16 195A 16 199A 11 159A 27		
09403-07307 09403-07312 09403-14309 09403-86CA1 09403-86CA2	141A 8 129A 9 36A 15 42B 10 42B 7	09409-10302 09409-10304 09409-10304-5ES 09409-10309 09409-10309	167A 10 180A 10 171A 31 179A 10 179A 14		
09403-86CC0 09404-06427 09404-86CA0 09404A08405	42B 9 94A 39 42B 6 94A 20 123A 38	09409A06310 09409A10303-5PK 09409A10303-6GS 09440-08026	179A 20 170A 11 168A 6 169A 14 48A 16		



## SUZUKI SE419TD RHD SUPPLEMENTARY PARTS CATALOGUE

---

1st Edition  
Printed in July., 2000  
Published in July., 2000

©2000 SANTANA MOTOR S.A., SUZUKI MOTOR CORP. All rights reserved

No part of this document may be reproduced or transmitted in any form or by any means, electronic or mechanical, for any purpose, without the express written of SANTANA MOTOR, S.A. or SUZUKI MOTOR CORP.

SANTANA MOTOR, S.A.  
Part Technical Department  
Avda. Primero de Mayo, s/n  
23700 Linares, Spain

---

Reprint Prohibited (S)





1

INFORMATION  
ILLUSTRATION INDEX

2

ENGINE

3

TRANSMISSION

4

ELECTRICAL

5

SUSPENSION  
BRAKE

6

BODY

7

PARTS NUMBER INDEX