



**SUZUKI**  
**PARTS CATALOGUE**



**SE416**  
**SE419TD**

**VITARA**

1997-1

DRAFT COPY



## General Information

This catalogue covers all service parts for SANTANA SE416 and SE419TD model years 97 and 98.

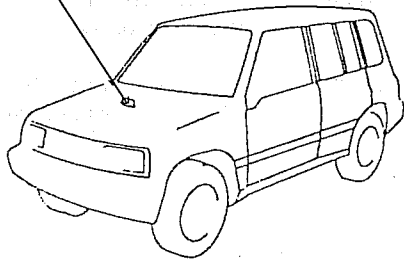
SE416 AND SE419TD has various specification with the combination of grade, intended market etc., and all of those related parts are compiles in this catalogue.

For easier and exact reference of parts required for a certain vehicle, various marks are puts in the remarks column of this catalogue.

Exact parts required can be located by referring to this remarks, the engine serial number of the vehicle and the information given in the model identification Plate, which is provided for each vehicle in the location as illustrated bellow.

### 1.- Location of the model Identification Plate

Identification Plate



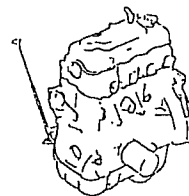
## 2.- Information of the model Identification Plate

SANTANA-MOTOR, S.A.	
	1
VSEET.....	2
	Kg 3
	Kg 4
	Kg 5
	Kg 6

1. Homologation countering
2. Vehicle Identification Number ( 17 digits )
3. Maximum Weight
4. Maximum Weigth with tow
5. Maximum Weight Front axle
6. Maximum Weight Rear axle.

### 3.- Engine Serial Number

Engine Serial Number is provided in the location illustrated bellow



Location of punched engine serial number.

### 4.- DIMENSIONS

Dimensions of the parts are indicated in milimeters.

## 5.- ABBREVIATIONS

Abbreviations used in this catalogue are as follows

A:	Ampere	HSG:	Housing
AH:	Ampere/hour	ID:	Inside Diam.orIdentification
AM:	Amplitude Modulation	INR:	Inner
AR:	As Required	JX:	JX grade
AT:	Automatic Transmission	JLX:	JLX grade
ASSY:	Assembly	L:	Length or hand side
BRKT:	Bracket	LCD:	Liquid Crystal Display
COLPS:	Collapsible	LH:	Left hand side
COMB:	Combination	LHD:	Left hand drive
CTR:	Center	MT:	Manual Transmission
D:	Differential	N/:	Non
DF:	Differential	ND:	Nippondenso
DMR:	Dimmer	NGK:	NGK spark Plug
DR:	Door	N°:	Number
E.L.R.:	EmergencyLock Retrator	NT:	Number of teeth
E.N.:	Engine Number	OD:	Outside Diameter
EXC:	Except	OPNG:	Opening
FL:	Floor	OPT:	Optional
FLEX:	Flexible	OS:	Over side
FL/TR:	Filter	PCV:	Positive Crankase ventil.
FM:	Frecuency Modulation	PETROL:	Gasoline
F.N°:	Frame Number	QTR:	Quarter
FR:	Front	R:	Right hand side
F5:	Floor Shift transmission 5 speeds	REV:	Reverse
H/BK:	Hatch Back	RHD:	Right hand drive
HR:	Hour	RR:	Rear

CT: Canvas Top  
HT: Hard Top  
MET: Meta/Top

VIN: Vehicle Identif. No.

W: Wide

W/: With

&: And

1ST: Frist

2ND: Second

3DR: Third

4TH: Fourth

5DR: 5 door

5FH: Fifth

RSV: Reserve

SPNSN: Suspension

STD: Standard

SYNC: Synchronizer

T: Thickness

TACH: Tachometer

T.D.: Turbo Diesel

T. DIESEL: Turbo Diesel

TEMP: Temperature

US: Under size

~VSEETV02C01204521 :

Up to VIN number VSEETV02C01204521

VSEETV02C01204521~ :

From VIN number VSEETV02C01204521

12 X 34 X 10 .....

Figures in the description coloum show the dimensions of parts.

ID OD T o W

~12345-82001 (Part N°) : Indicates that the part number was changed to 12345-82001 and the new part is interchangeable with the former one, but the former one is not interchangeable with the new one.

←12345-82001 (Part N°) : Indicates that the former and new parts are interchangeable with each other and are usable.

## 6.- INNER PARTS OF ASSEMBLY

Parts number that have a period (.) in front of the description on a text page are separately-available parts of the assembly.

## 7.- MODIFICATION NOTICE

A parts bulletin will be sent to you on all occasions when changes in parts occur, including interchangeable modification between new parts and old ones.

8.- NOTE

8.1.- There are some different parts from those of production models due to administrative reasons and common use with other models.

8.2.- Rubber hoses and vinyl tubes should be cut to size in accordance with information detailed in the parts catalogue.

8.3.- Note that the drawing on the illustration page are for ready reference of spare parts number and not to be used as an assembly manual.

When assembling, please refer to SUSUKI SERVICE MANUAL.

9.- V.I.N NUMBER

Hereunder Vin numbers are indicated corresponding to the Vitara model '97 and model '98 for which this catalogue must be used

Vitara 3 Doors, 8 Valves - Canvas top or Hard Top

From VIN VSEETV01C01200000 to VSEETV01C01203085 : MY'97 ✓  
From VIN VSEETV01C01203086 onward : MY'98

Vitara 3 Doors, 8 Valves - Metal Top

From VIN VSEETV01V01200000 to VSEETV01V01201639 : MY'97 ✓  
From VIN VSEETV01V01201640 onward : MY'98

Vitara 3 Doors, 16 Valves - Canvas top or Hard Top

From VIN VSEETV02C01200000 to VSEETV02C01204242 : MY'97 ✓  
From VIN VSEETV02C01204243 onward : MY'98 ✓

Vitara 3 Doors, 16 Valves - Metal Top

From VIN VSEETV02V01200000 to VSEETV02V01204644 : MY'97 ✓  
From VIN VSEETV02V01204645 onward : MY'98 ✓

Vitara 3 Doors, 1.9 Turbo Diesel - Canvas top or Hard Top

From VIN VSEETV03C01200000 to VSEETV03C01204021 : MY'97 ✓  
From VIN VSEETV03C01204022 onward : MY'98

Vitara 3 Doors, 1.9 Turbo Diesel - Metal Top

From VIN VSEETV03V01200000 to VSEETV03V01204023 : MY'97 ✓  
From VIN VSEETV03V01204024 onward : MY'98

Vitara 5 Doors, 16 Valves - Metal Top

From VIN VSEETW01V01200000 to VSEETW01V01201599 : MY'97 ✓  
From VIN VSEETW01V01201600 onward : MY'98 ✓

Vitara 5 Doors, 1.9 Turbo Diesel - Metal Top

From VIN VSEETW03V01200000 to VSEETW03V01202504 : MY'97 ✓  
From VIN VSEETW03V01202505 onward : MY'98



COLOR CHART

COLOR NO.	COLOR DESCRIPTION	COLOR NO.	COLOR DESCRIPTION
DW9	P96, 5FE0CA, 31R	T19	MEDIUM WARM GRAY
D9Y	P95, R05, 5FE	T61	MEDIUM WARM GRAY
D9Z	P96, R04, 5FE	T77	GREEN
E0A	P95, 5FE	T78	GRAY
E0W	P96, 5FE	T79	GREEN
E0Y	P96, R04, 5FE	T81	GRAY
E0Z	P95, R05, 5FE	T82	GREEN
G78	OCA, 31R	Y27	URBAN GRAY
G79	25R, 31R	Y28	SLD, RED
H2J	T01, 5PK	Y31	BLUE
H8N	T77, T78, T02	Y33	DARK TURQUOISE
H8P	T79, T81, T02	Y34	GREEN
H8R	T82, T16	Z01	AQUA GREEN
JOU	T77, T02	Z05	VIOLET
JOV	T79, T02	0BM	BLUE
JOW	T77, T78, T02	0CA	BLACK
N49	5PK, 799	0CE	BLACK
P47	DARK CHARCOAL	0DG	SATURN BLACK METALLIC
P95	WIND GRAY	0FC	RED
P96	WIND GRAY	0FT	RED PEARL
R04	RAFFINE BLAK	0PG	CHROME
R05	RAFFINE BLAK	064	PURE WHITE
T01	MEDIUM WARM GRAY	1VN	MERCURY SILVER METALLIC
T02	MEDIUM WARM GRAY	2UN	5TP, 064, 0FC
T16	MEDIUM WARM GRAY	2WE	5EF, 5ES
T18	SOFT GRAY	25R	COOL PALE GRAY

COLOR NO.	COLOR DESCRIPTION	COLOR NO.	COLOR DESCRIPTION
26U	SUPERIOR WHITE	5FJ	OFF BLACK
26Y	SILVER	5GF	DARK GRAY
27S	SILVER METALLIC	5PK	BLACK
281	BLACK (NON-GLOSS)	5TP	BLACK
31R	SILVER	5UN	LIGHT GRAY
39M	STARDUST SILVER MET.	55M	EXCELENT BLACK
40U	ADVENTURE BLACK	6EP	SUPER WHITE
5EF	LIGHT GRAY	6ER	SUPER WHITE
5EG	LIGHT GRAY	6GS	SOFT GRAY
5EH	LIGHT GRAY	6MA	LIGHT GRAY
5EK	DARK CHARCOAL	6NG	LIGHT GRAY
5ES	OFF <del>BLACK</del> GRAYS	6NW	SOFT GRAY
5EZ	LIGHT GRAY	6NY	SOFT GRAY
5FE	OFF BLACK	799	PRIMARY

Model of catalogue	Parts catalogue No.
SE416/SE419TD MY97-MY98	00000A01284

INFORMATION  
ILLUSTRATION INDEX

ENGINE

TRANSMISSION

ELECTRICAL

SUSPENSION  
BRAKE

BODY

PARTS NUMBER INDEX



FIG. 1

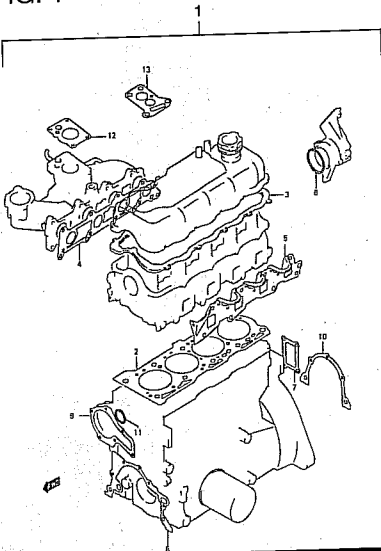


FIG. 2

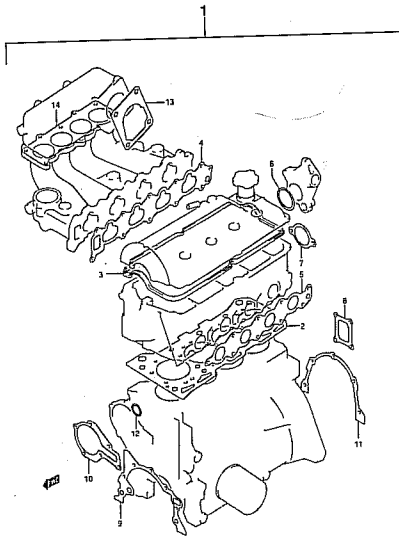


FIG. 3

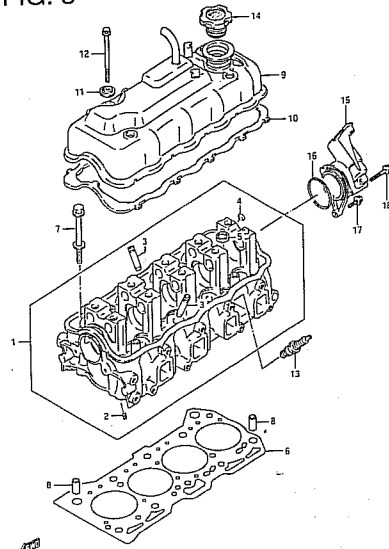


FIG. 3A

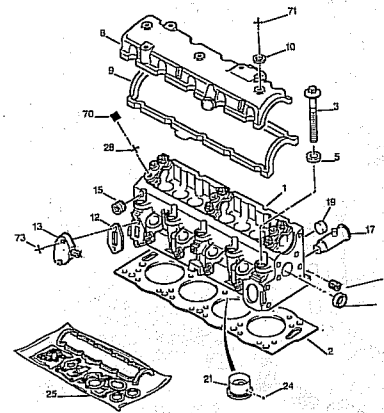


FIG. 4

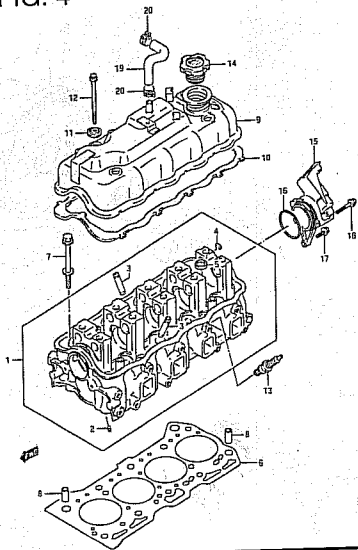


FIG. 5

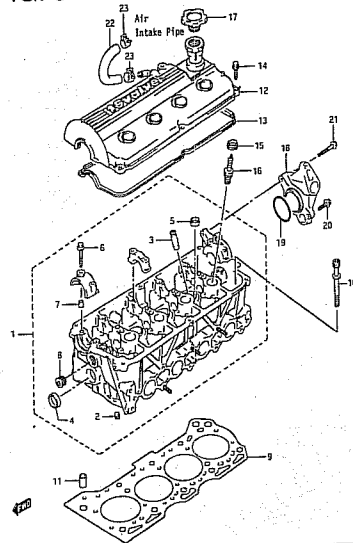


FIG. 6

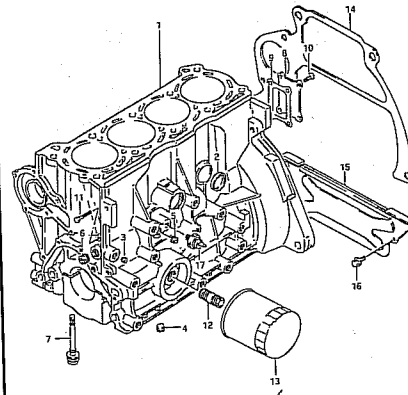


FIG. 6A

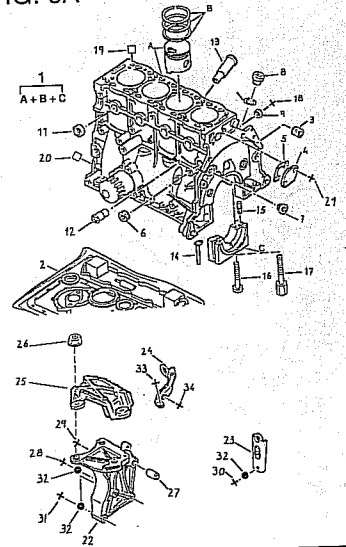


FIG. 6B

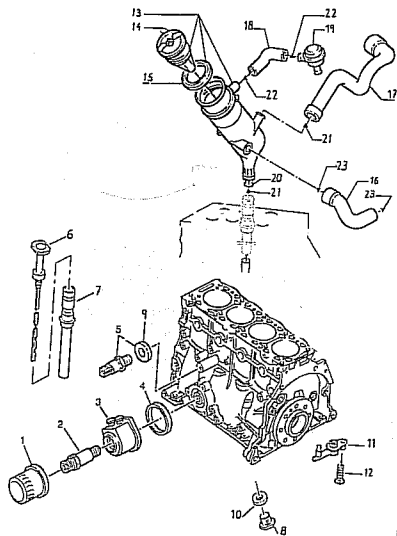


FIG. 7

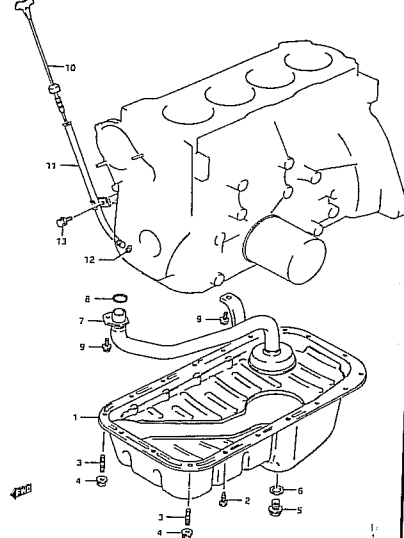


FIG. 8

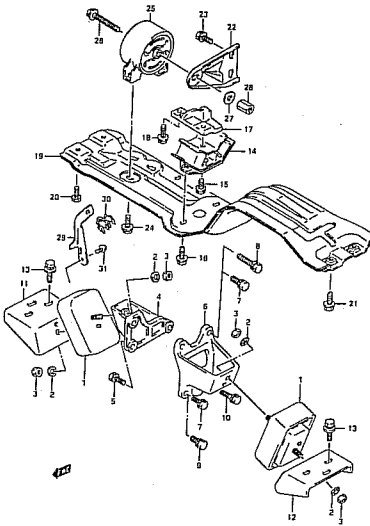


FIG. 9

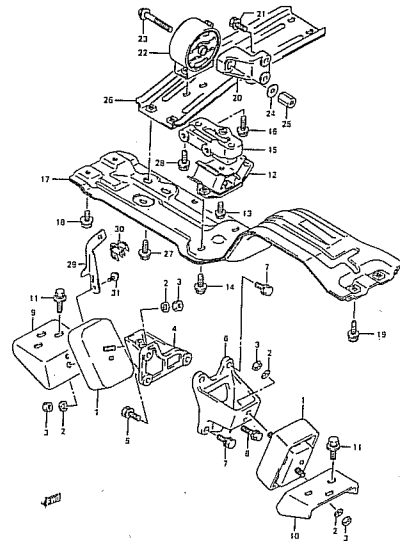


FIG. 10

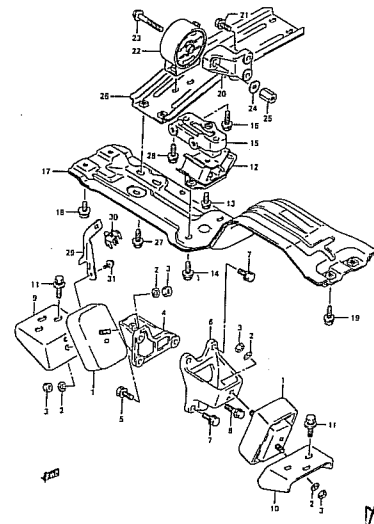


FIG. 11

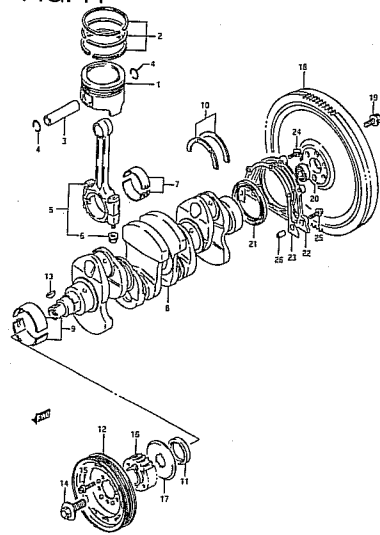


FIG. 11A

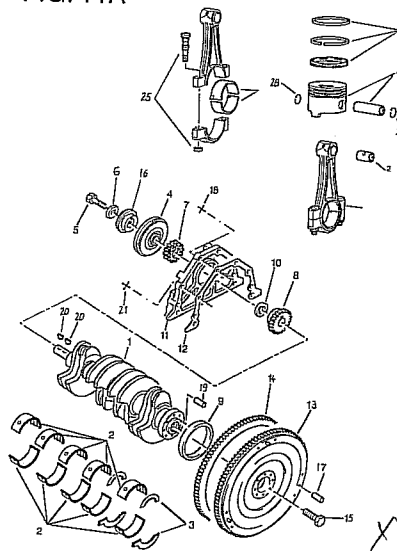


FIG. 12

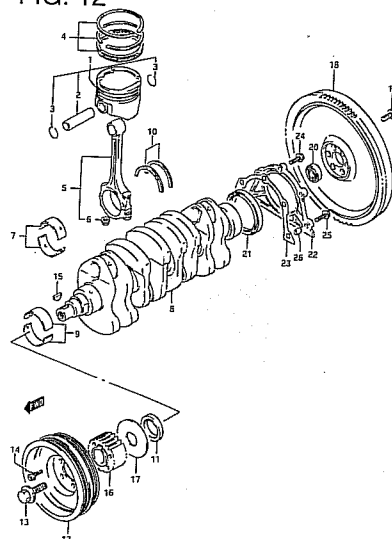


FIG. 13

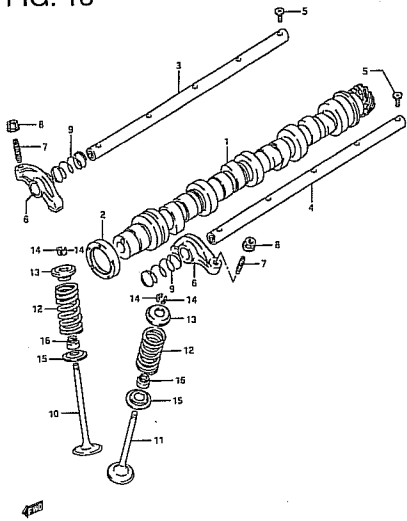


FIG. 13A

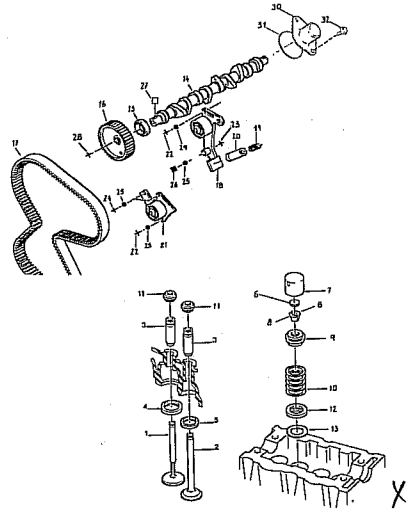


FIG. 14

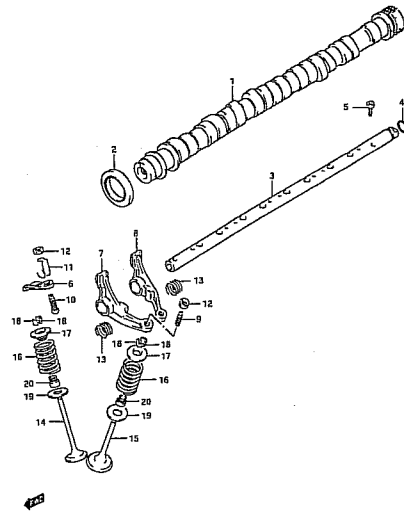


FIG. 15

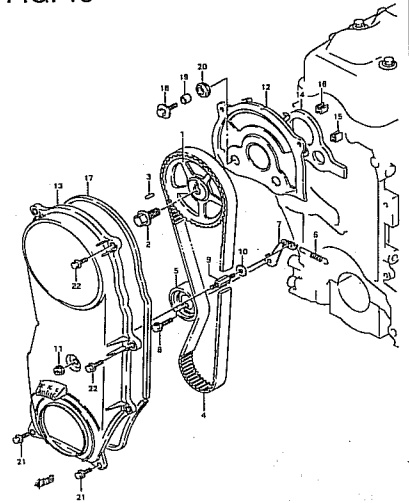


FIG. 15A

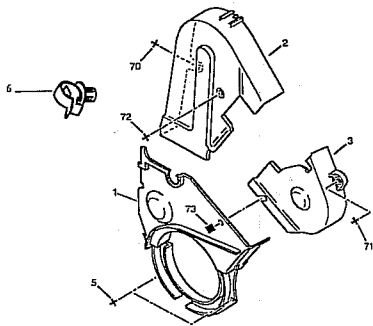


FIG. 16

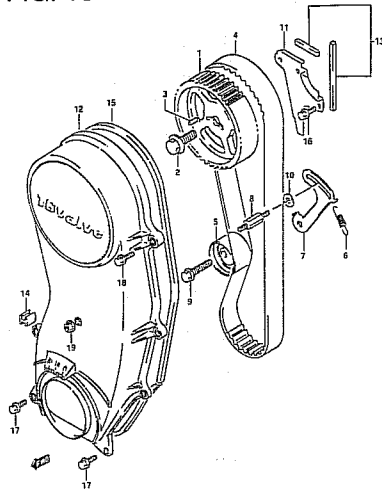


FIG. 17

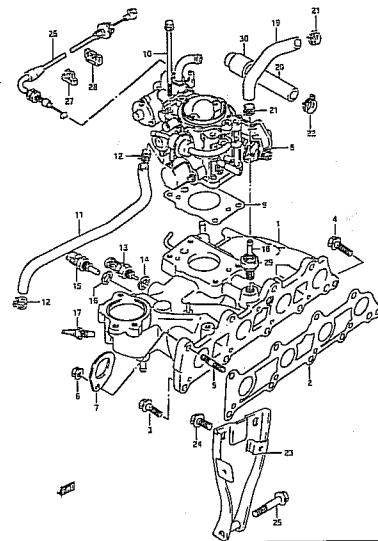


FIG. 17A

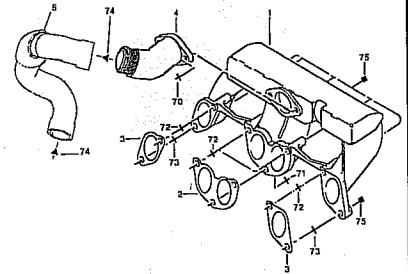


FIG. 18

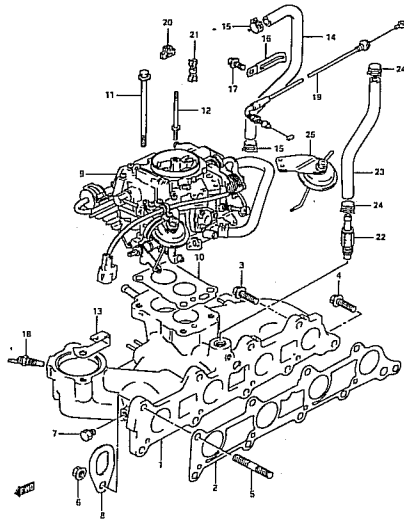


FIG. 19

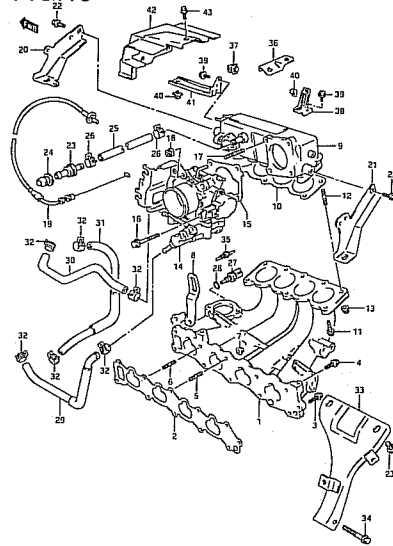


FIG. 20

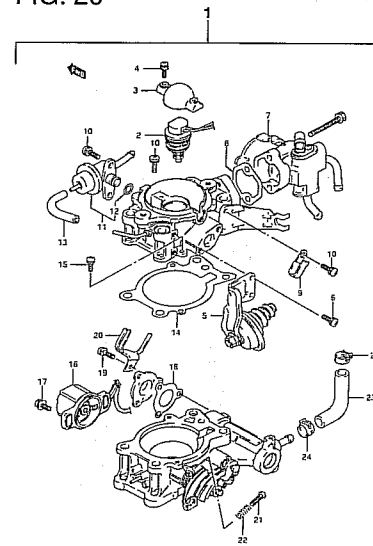


FIG. 21

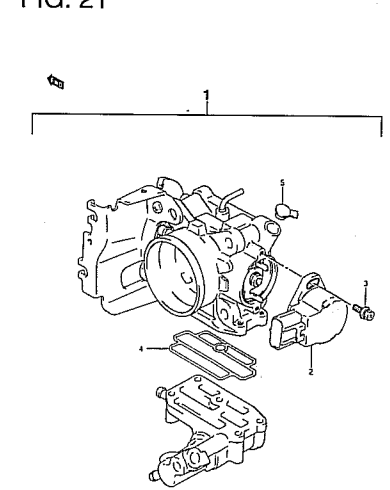


FIG. 21A

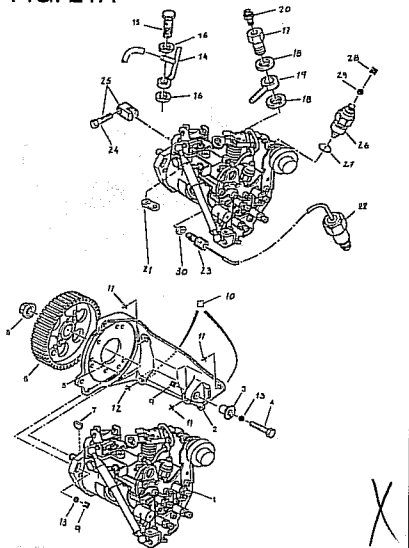


FIG. 22

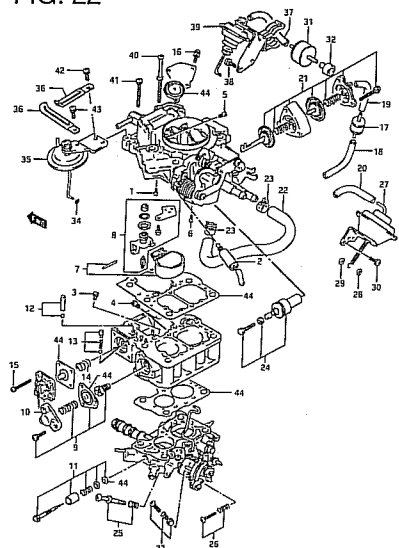


FIG. 23

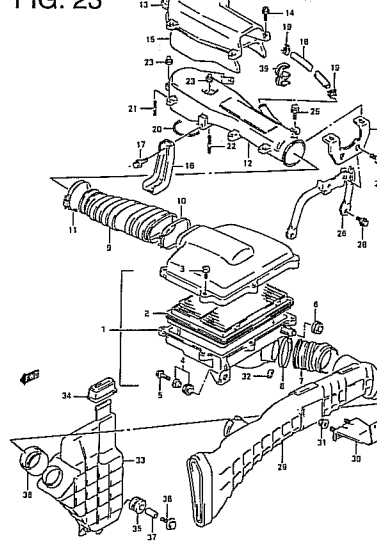


FIG. 24

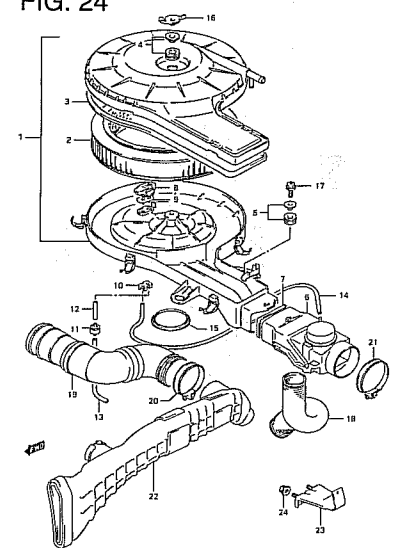


FIG. 25

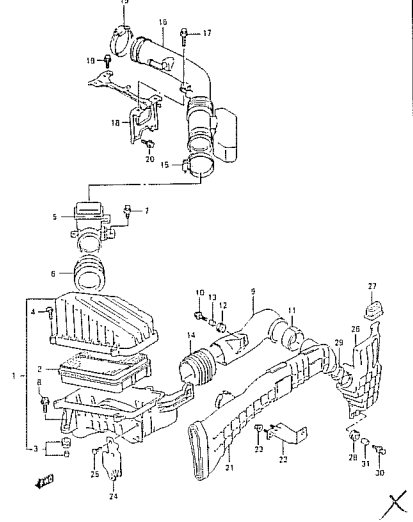


FIG. 26

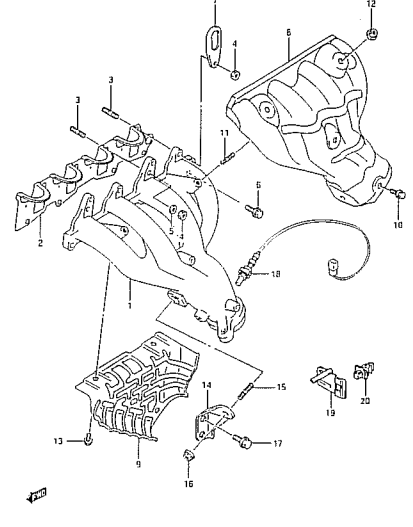


FIG. 26A

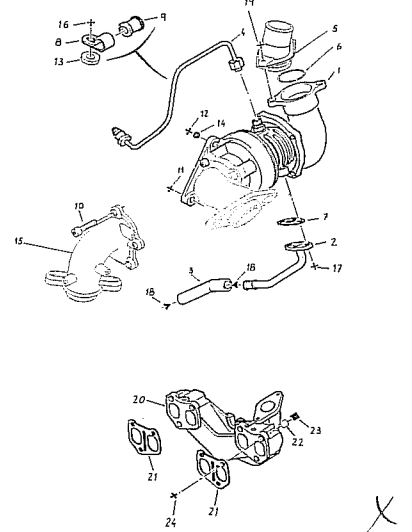


FIG. 27

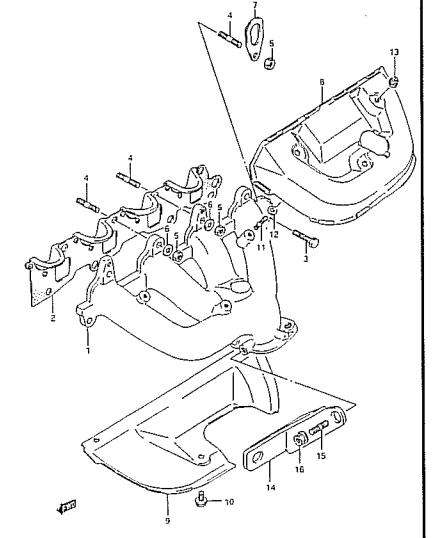


FIG. 28

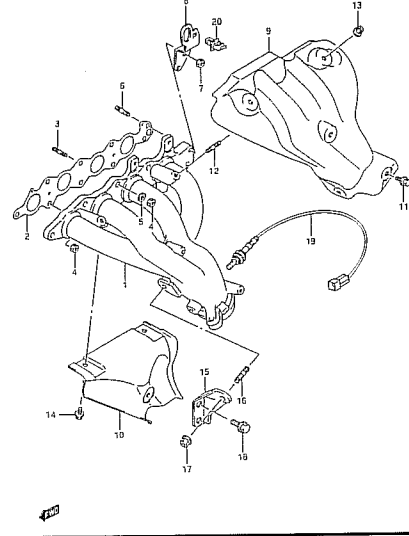


FIG. 29

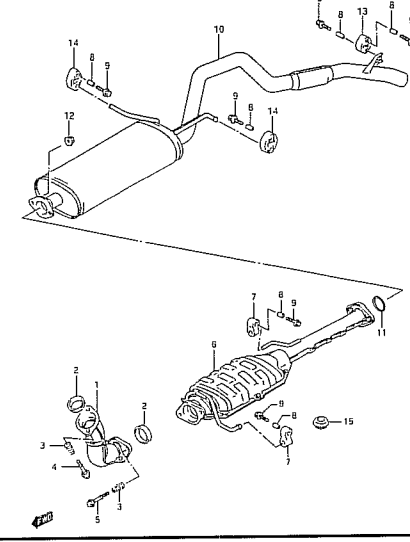


FIG. 30

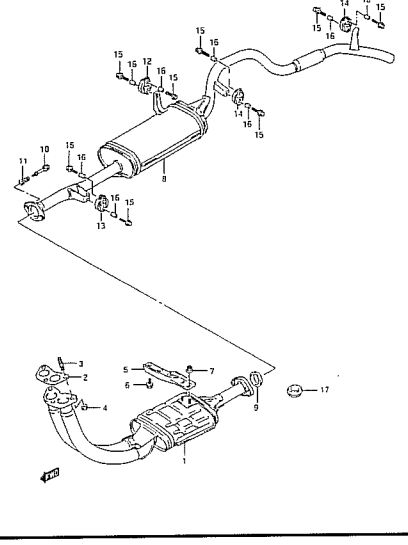


FIG. 31

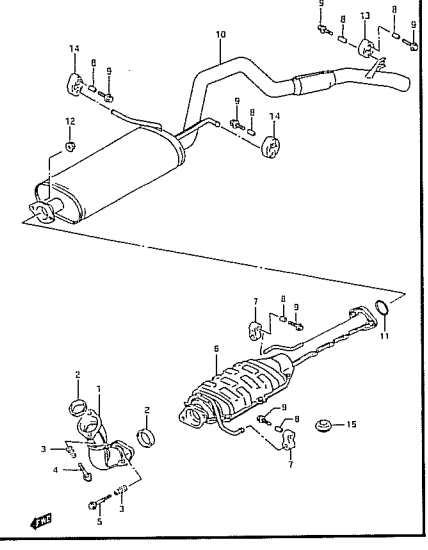




FIG. 32

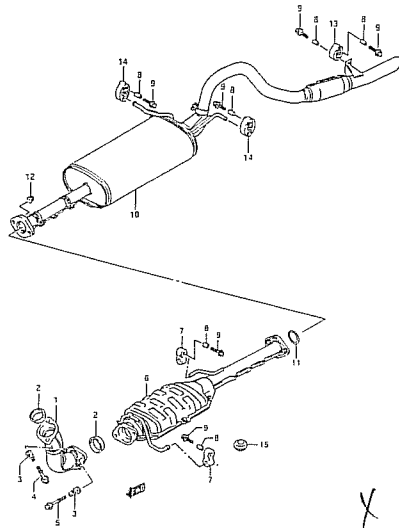


FIG. 33

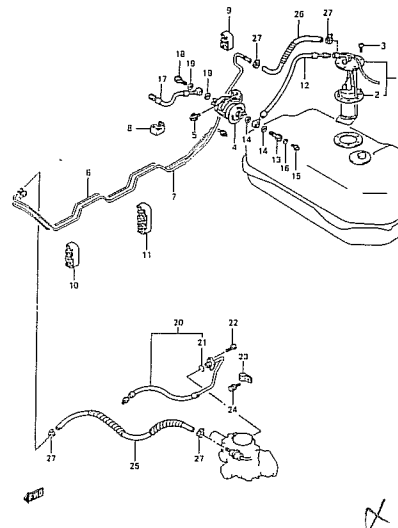


FIG. 34

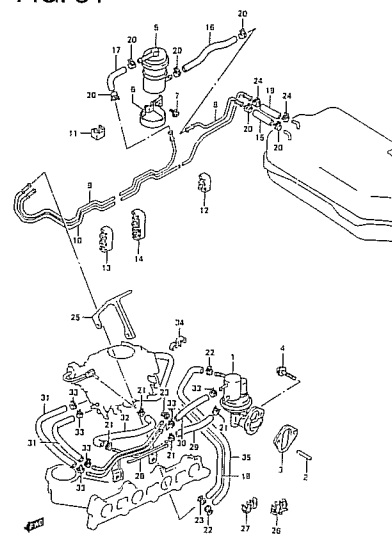


FIG. 35

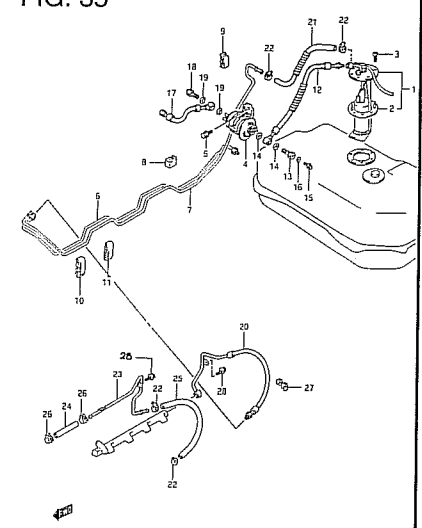


FIG. 36

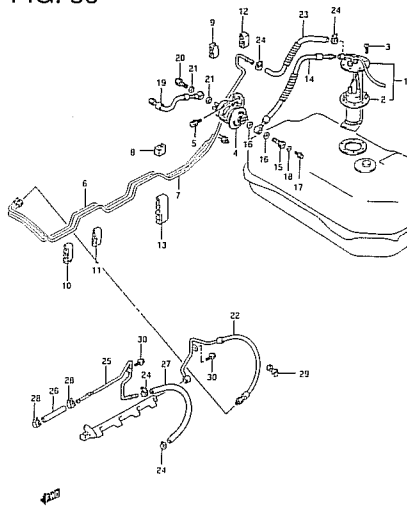


FIG. 37

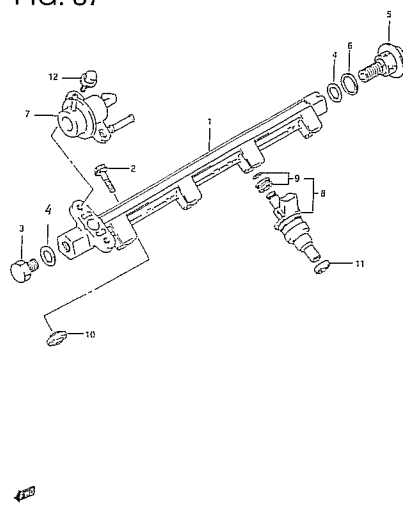


FIG. 37A

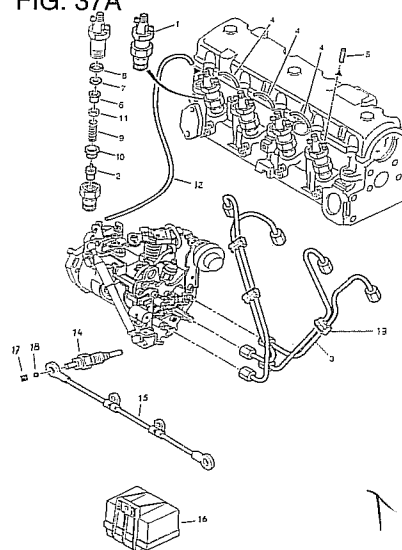


FIG. 38

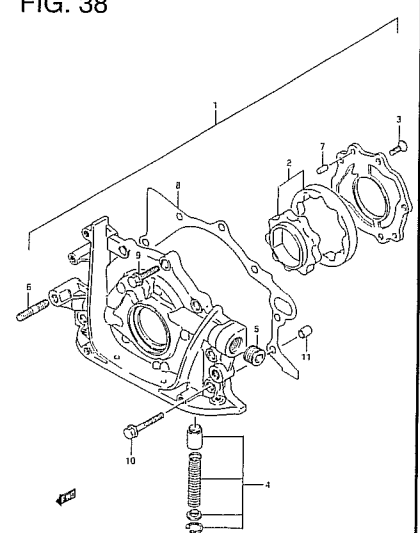


FIG. 38A

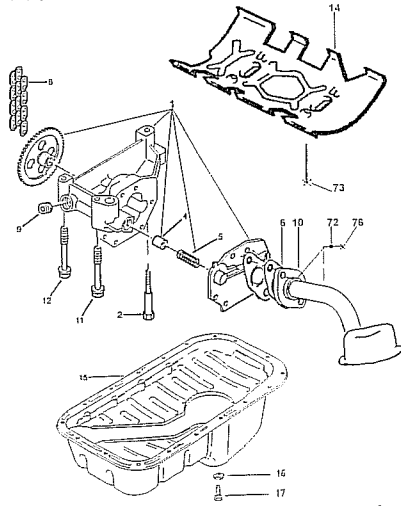


FIG. 39

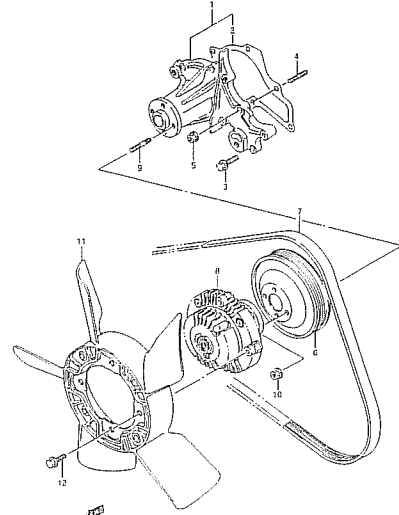


FIG. 39A

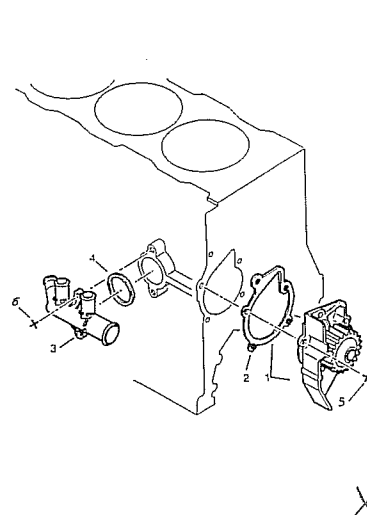


FIG. 40

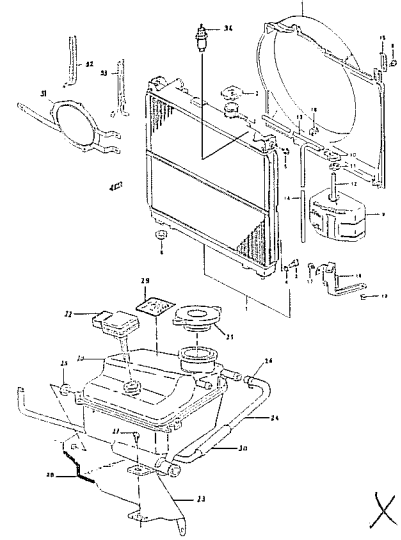


FIG. 41

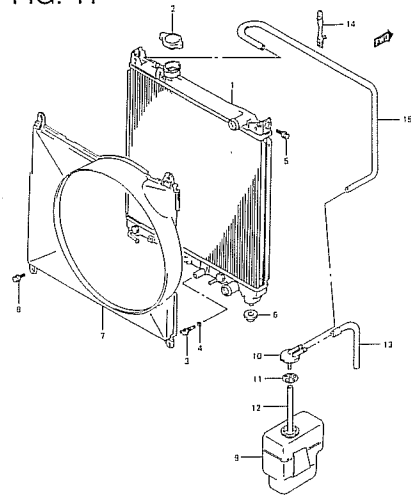


FIG. 42

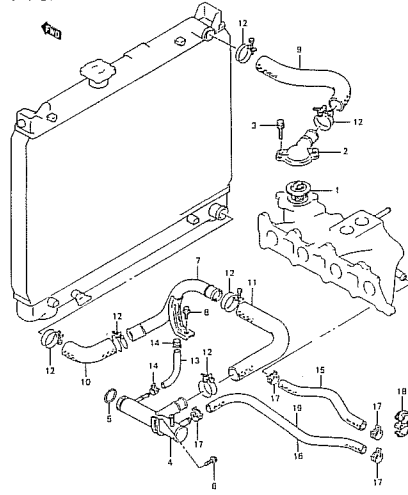


FIG. 42A

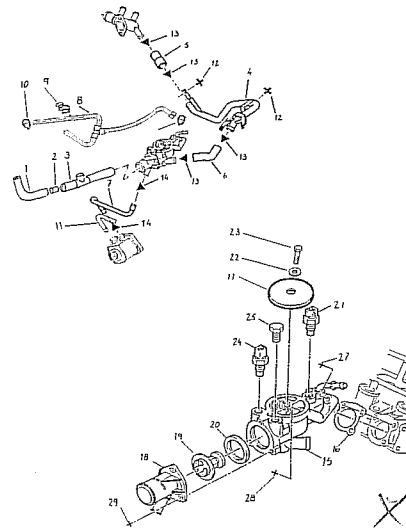


FIG. 43

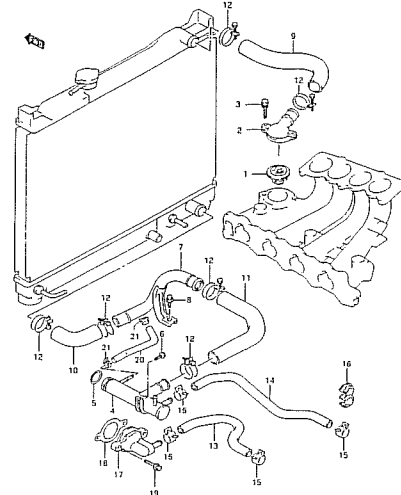


FIG. 44

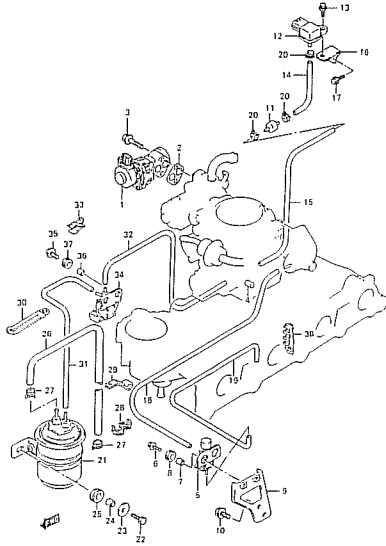


FIG. 45

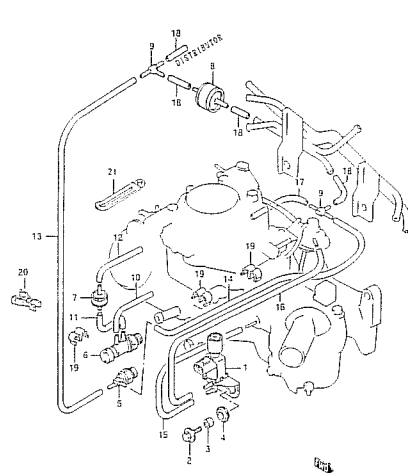


FIG. 46

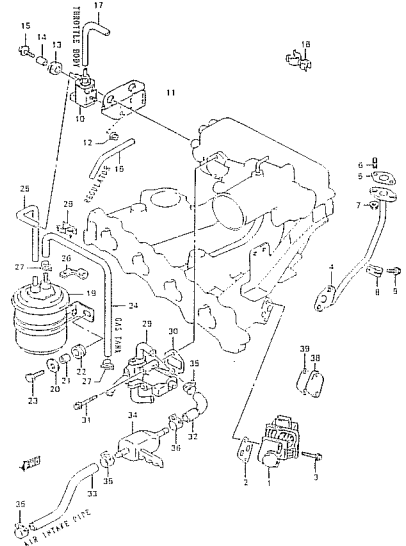


FIG. 46A

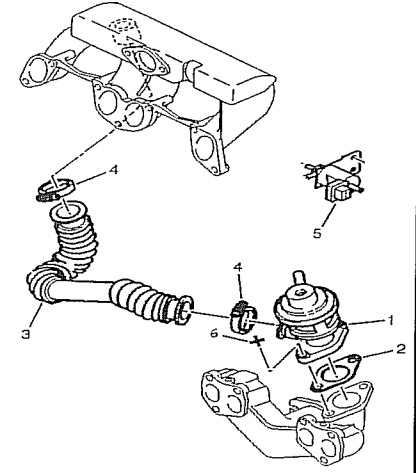


FIG. 47

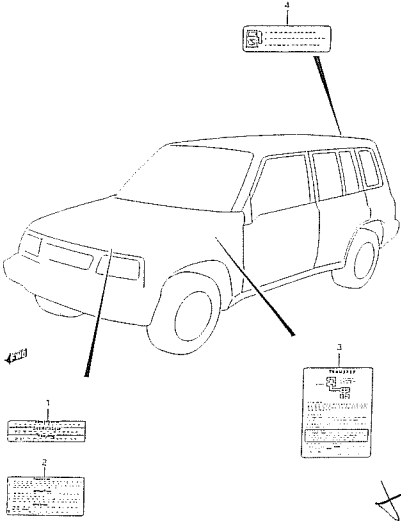


FIG. 48

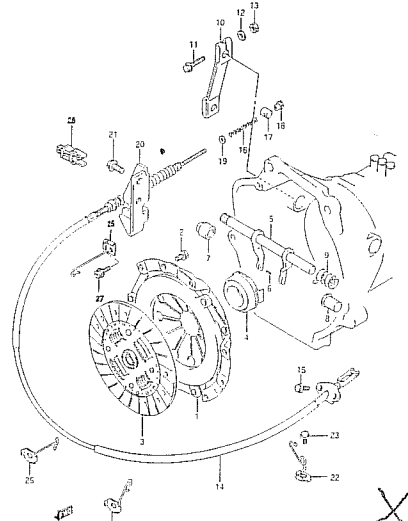


FIG. 49

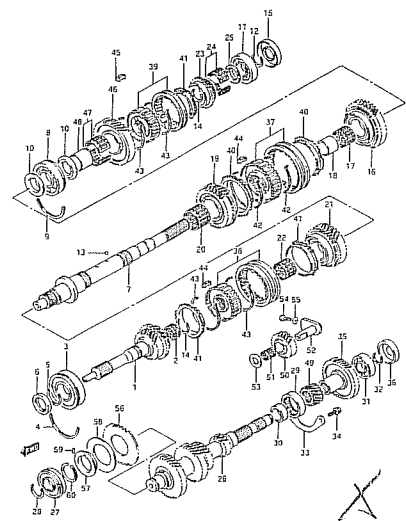


FIG. 50

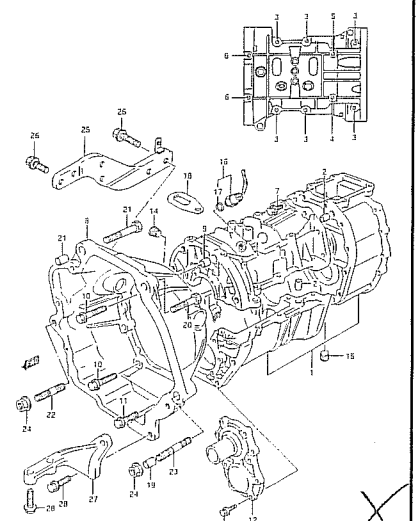


FIG. 51

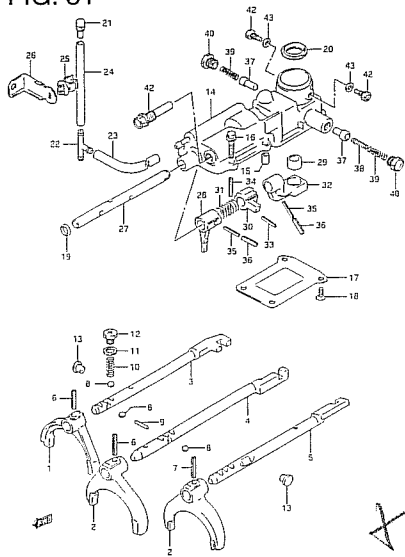


FIG. 52

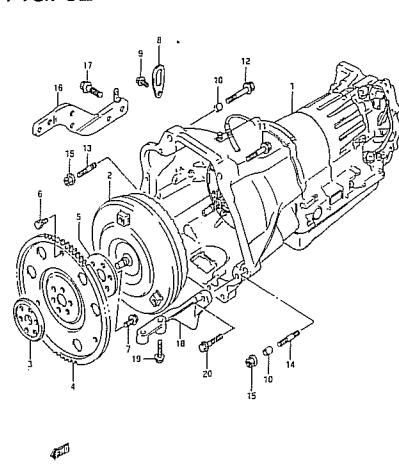


FIG. 53

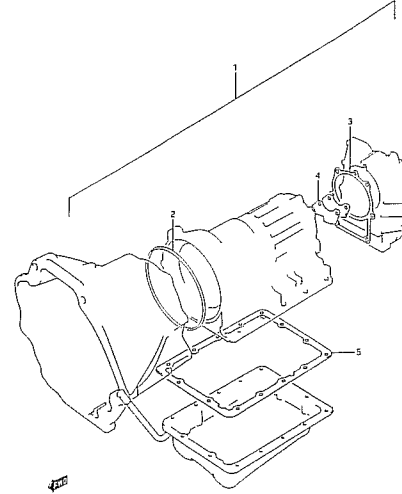


FIG. 54

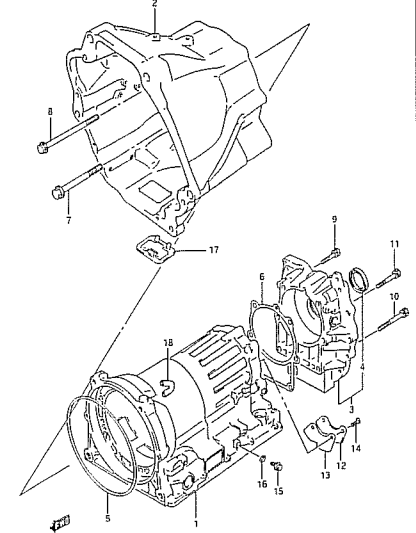


FIG. 55

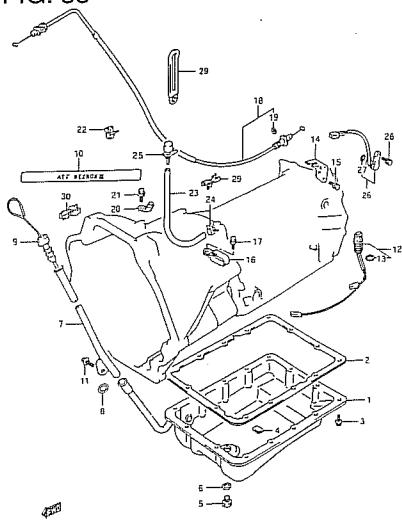


FIG. 56

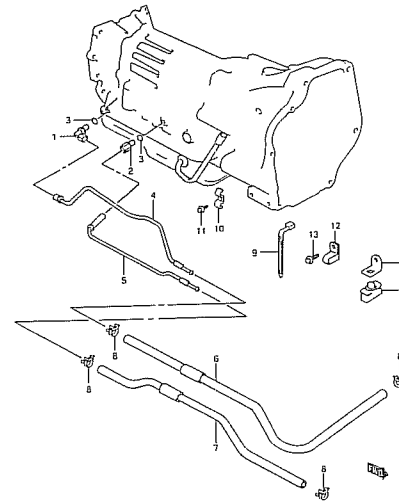


FIG. 57

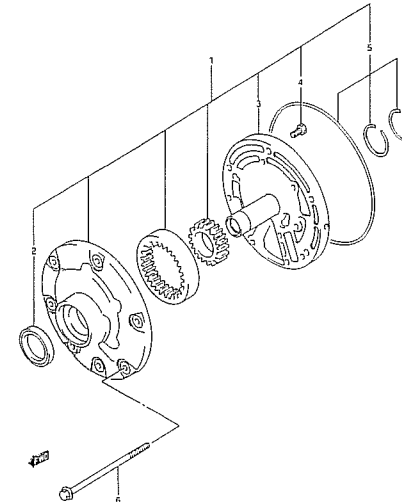


FIG. 58

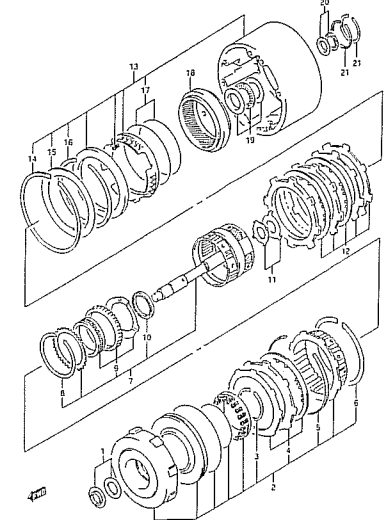


FIG. 59

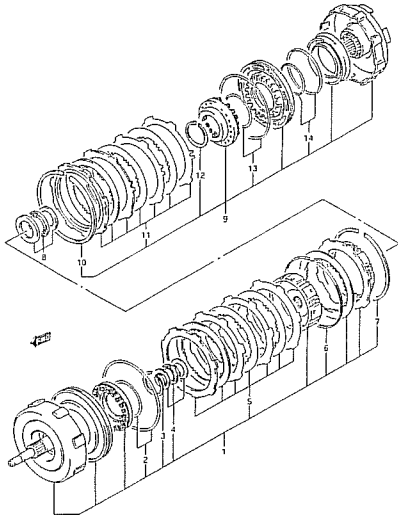


FIG. 60

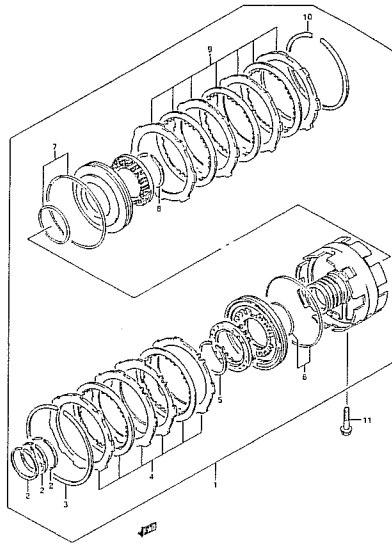


FIG. 61

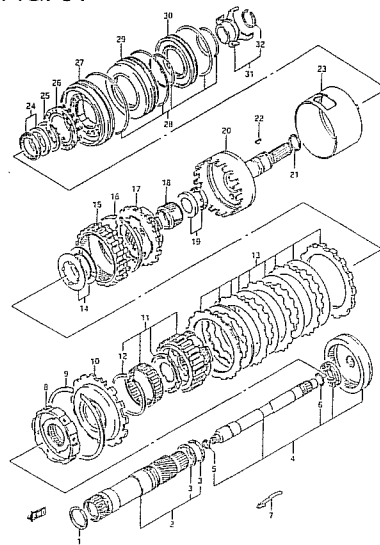


FIG. 62

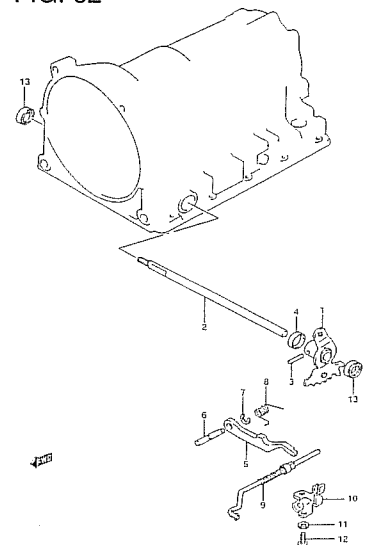


FIG. 63

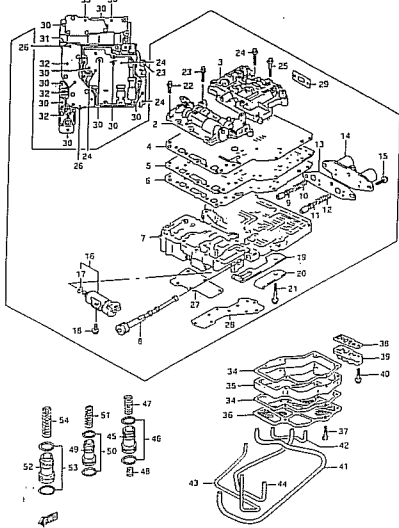


FIG. 64

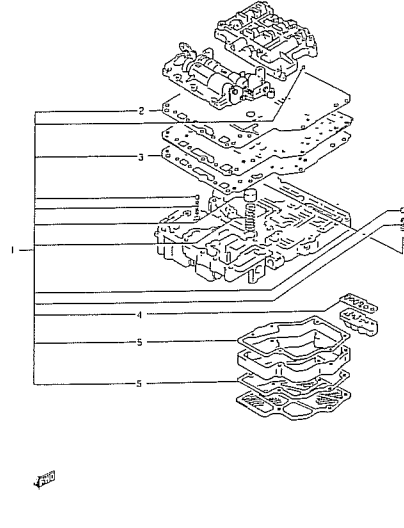


FIG. 65

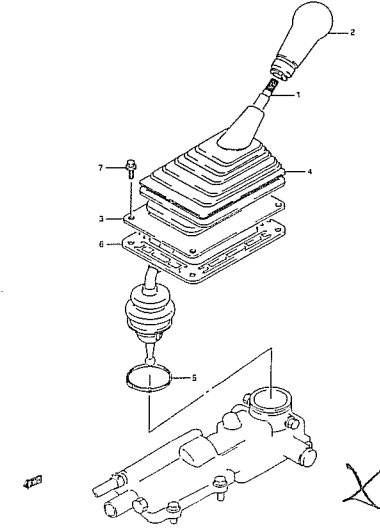


FIG. 66

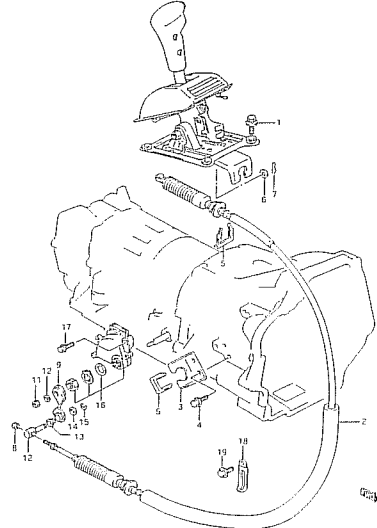


FIG. 67

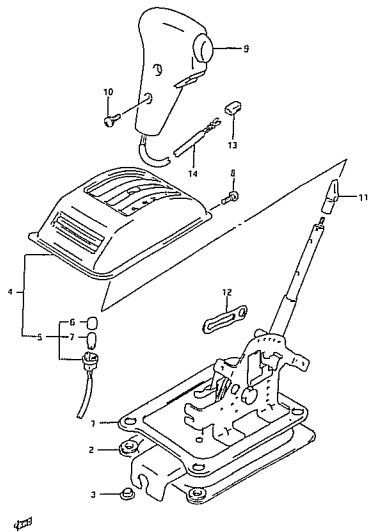


FIG. 68

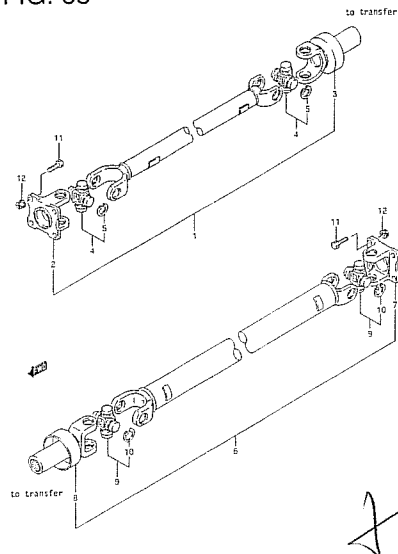


FIG. 69

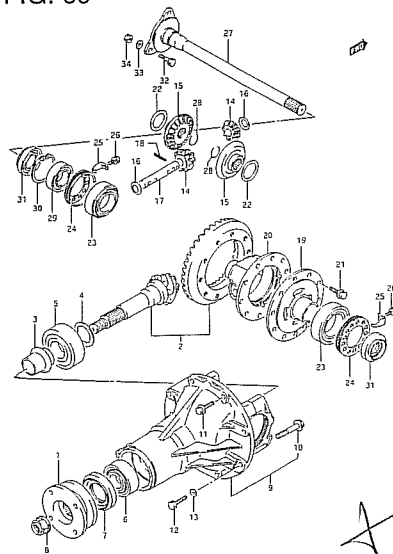


FIG. 70

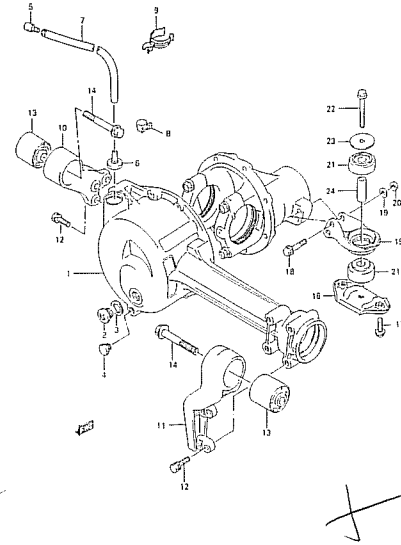


FIG. 71

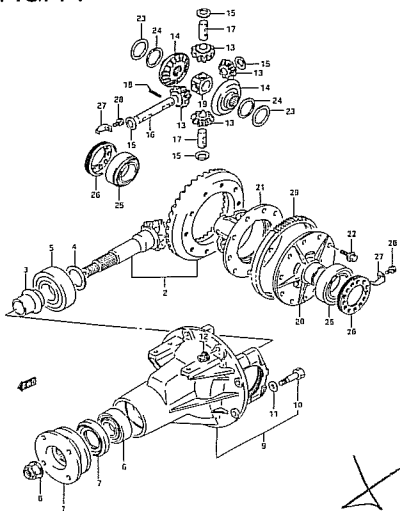


FIG. 72

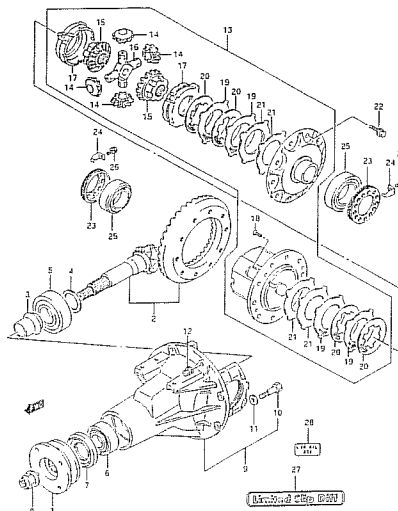


FIG. 73

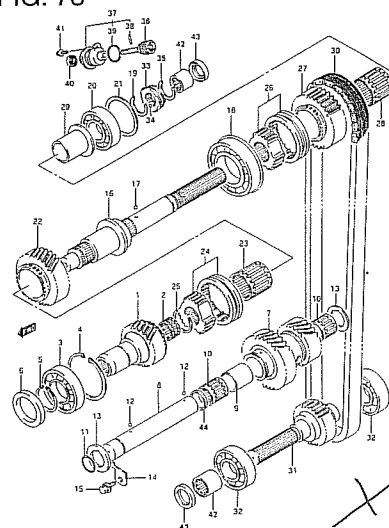


FIG. 74

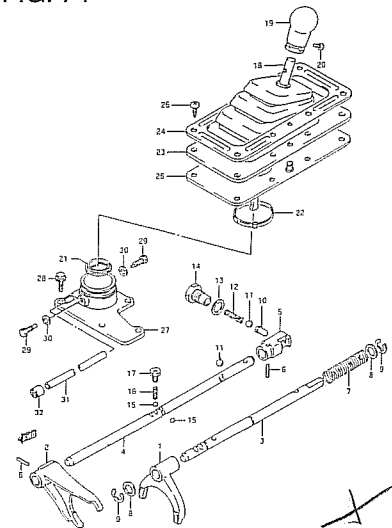


FIG. 75

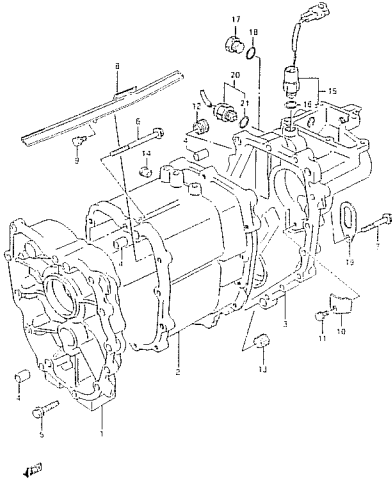


FIG. 76

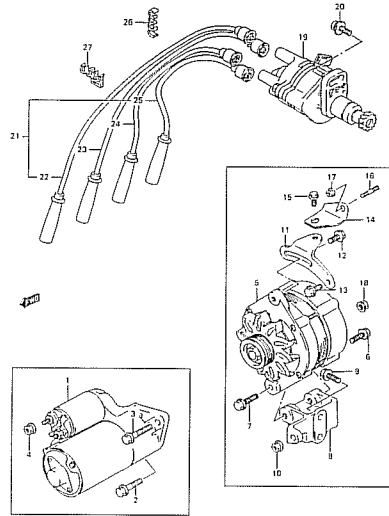


FIG. 76A

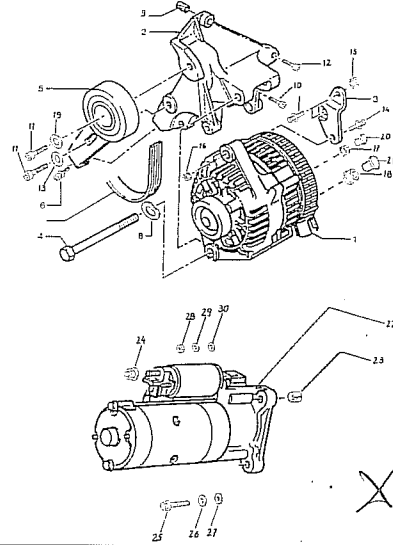


FIG. 77

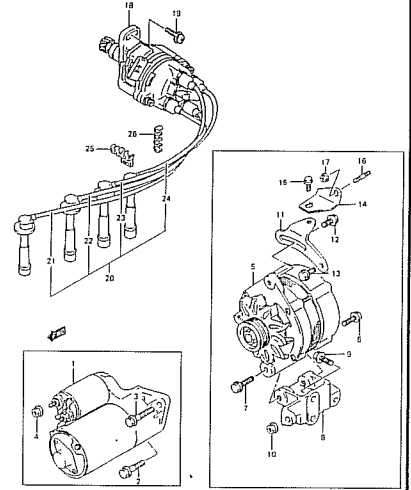


FIG. 78

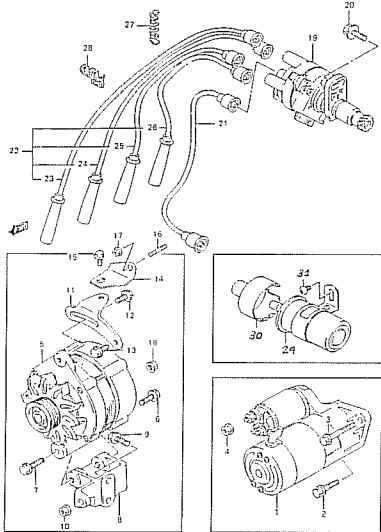


FIG. 79

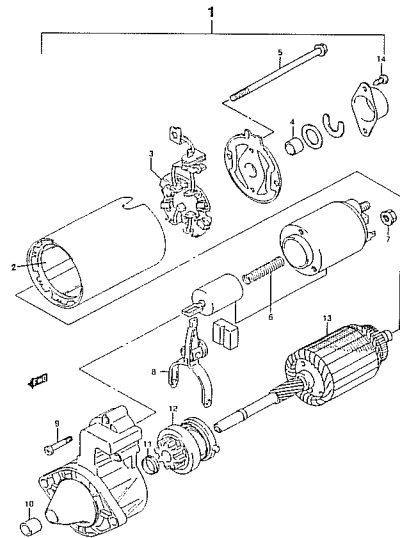


FIG. 79A

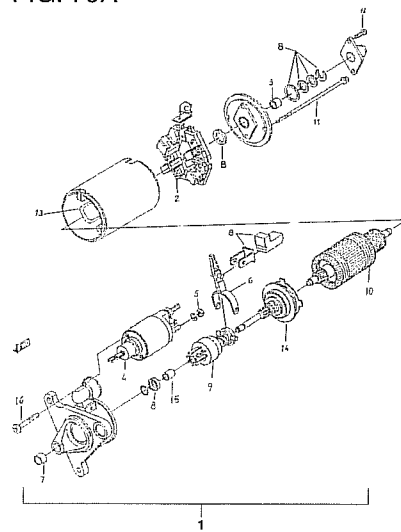


FIG. 80

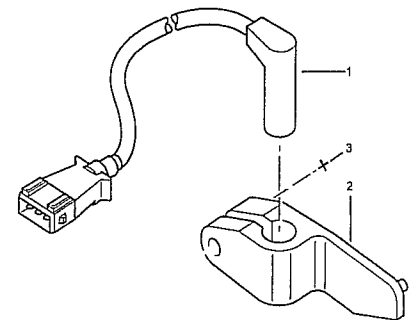


FIG. 81

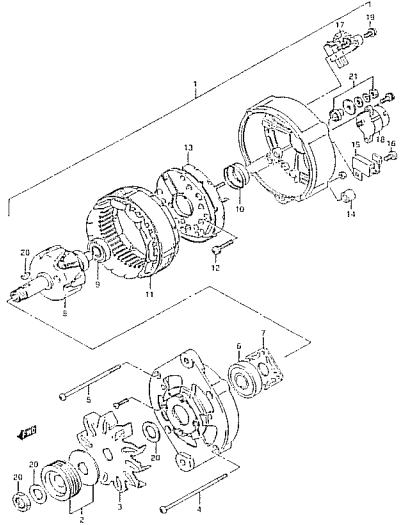


FIG. 81A

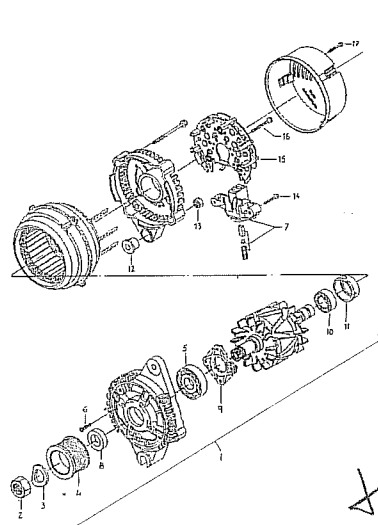


FIG. 82

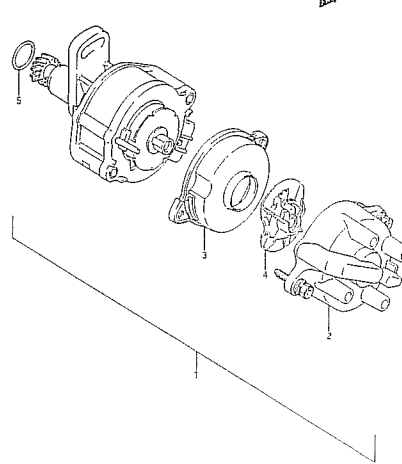


FIG. 83

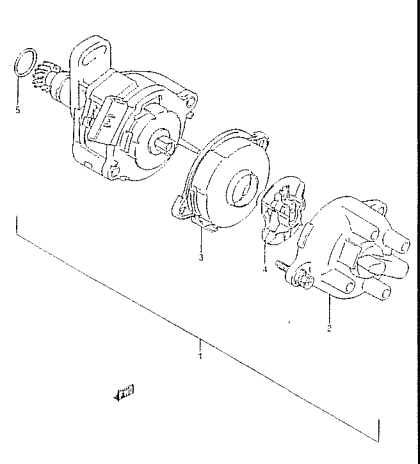


FIG. 84

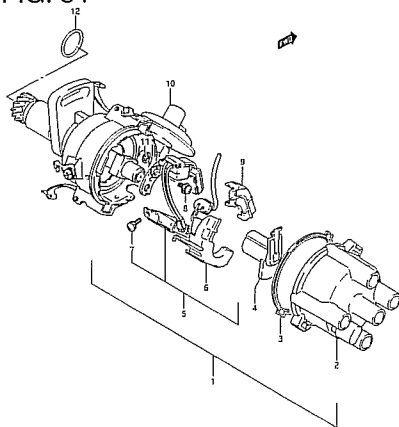


FIG. 85

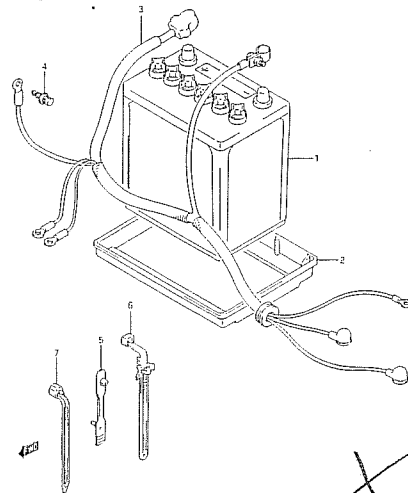


FIG. 86

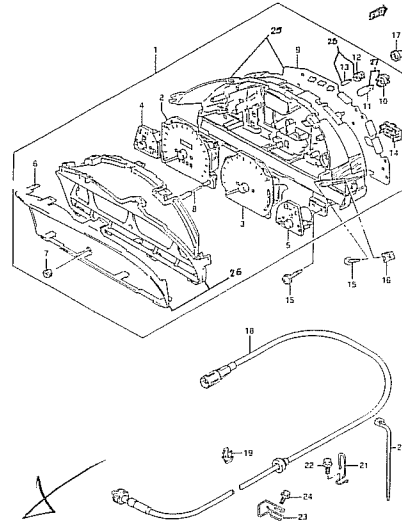


FIG. 87

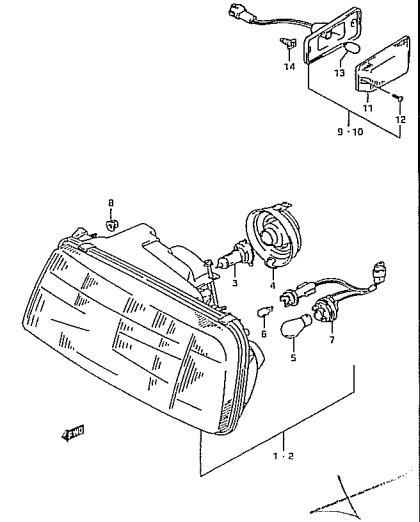




FIG. 88

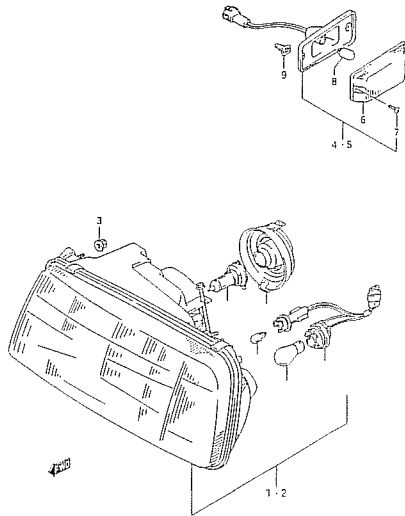


FIG. 89

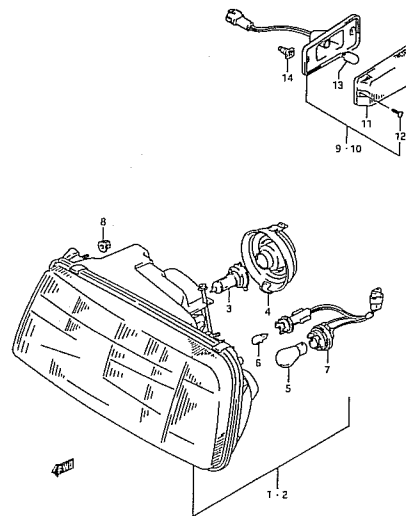


FIG. 90

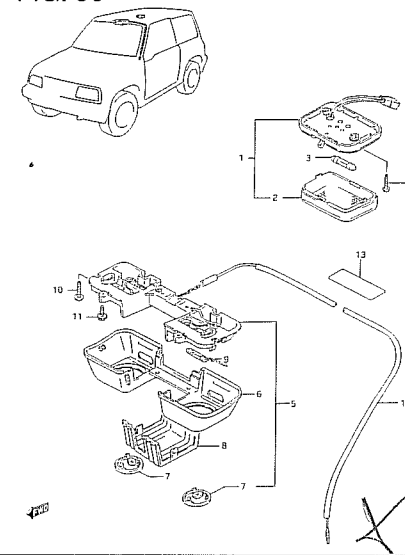


FIG. 91

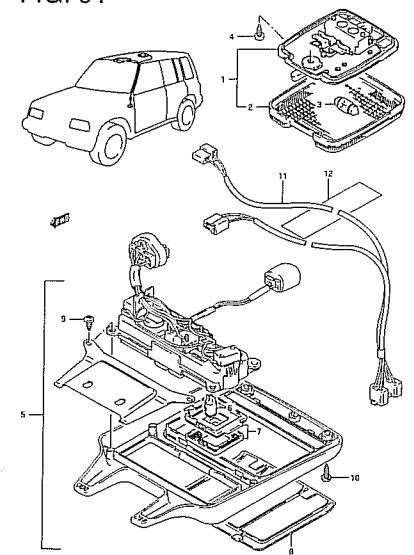


FIG. 92

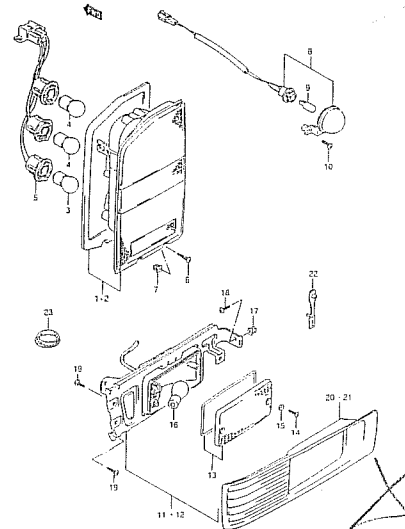


FIG. 93

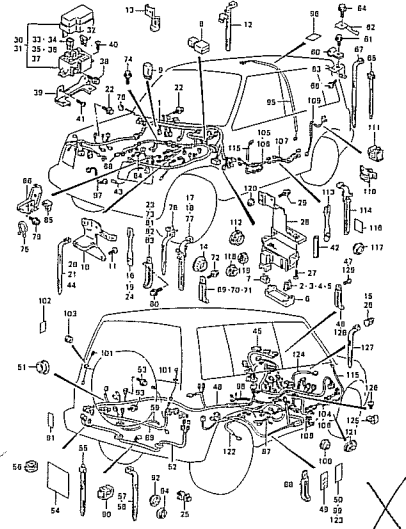


FIG. 94

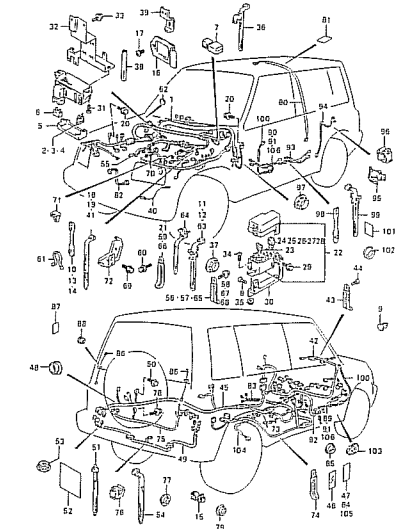


FIG. 95

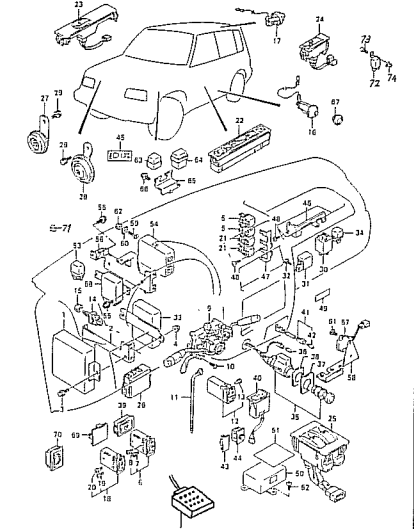


FIG. 96

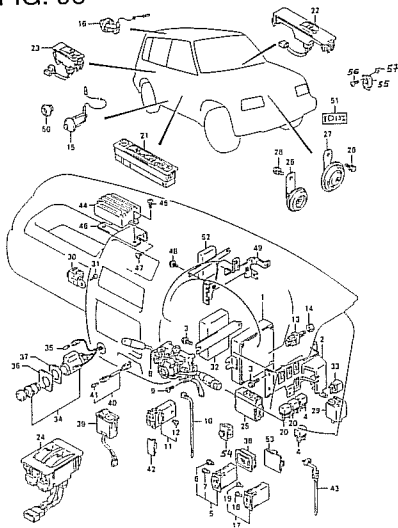


FIG. 97

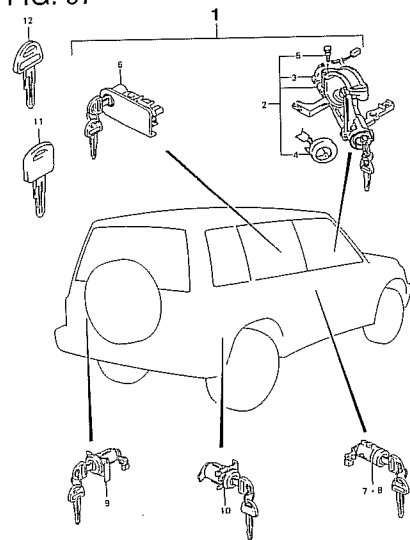


FIG. 98

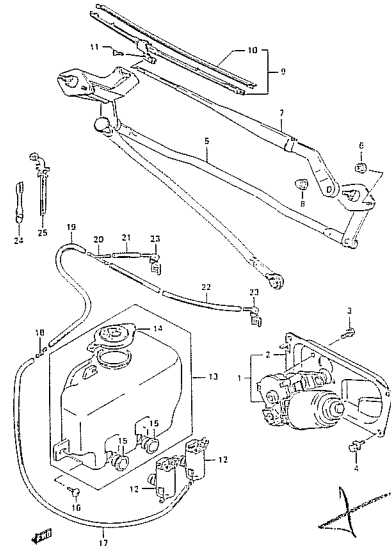


FIG. 99

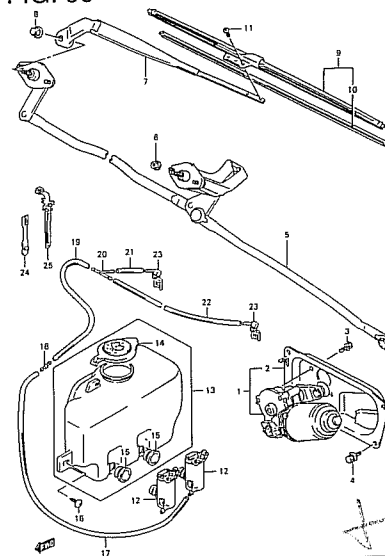


FIG. 100

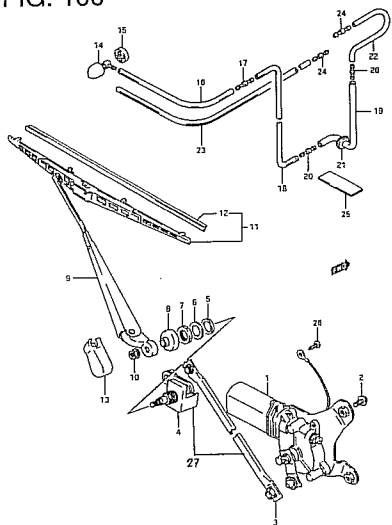


FIG. 101

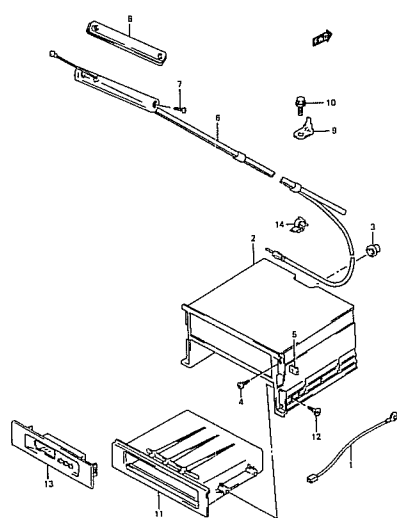


FIG. 102

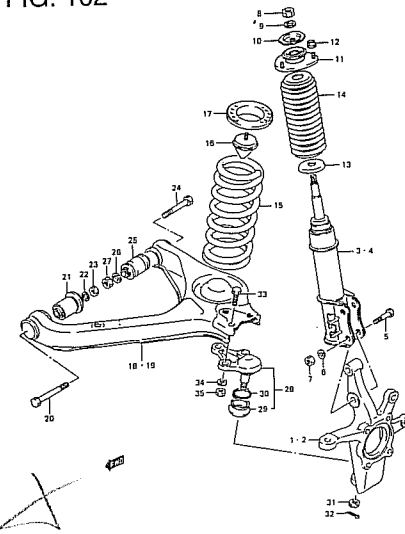


FIG. 103

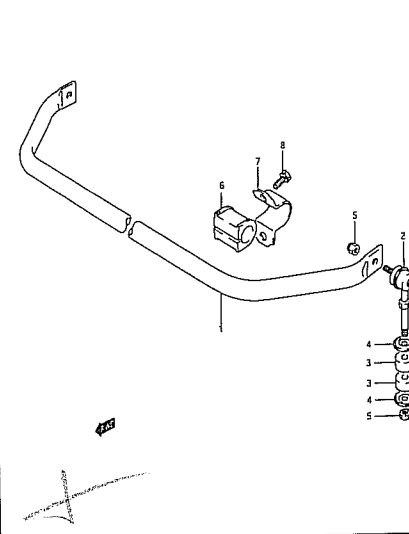


FIG. 104

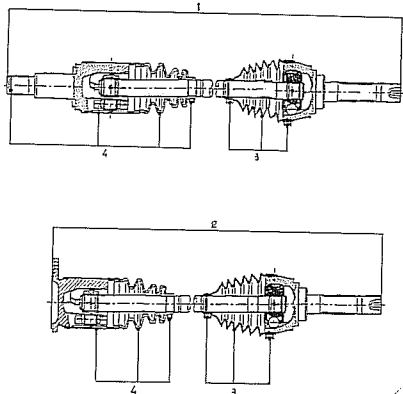


FIG. 105

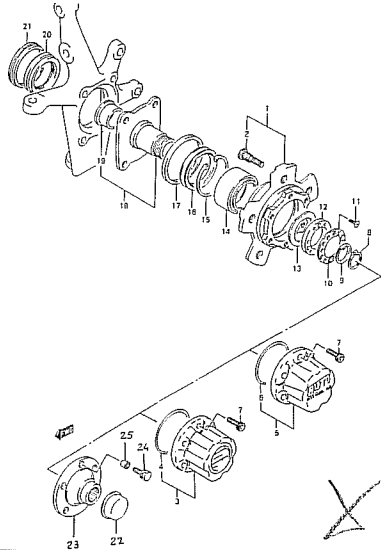


FIG. 106

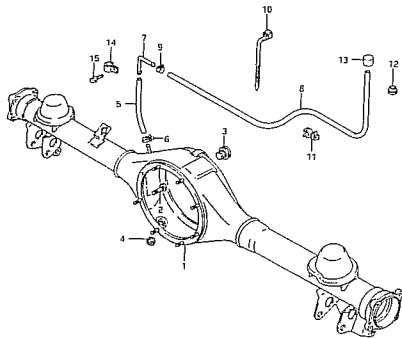


FIG. 107

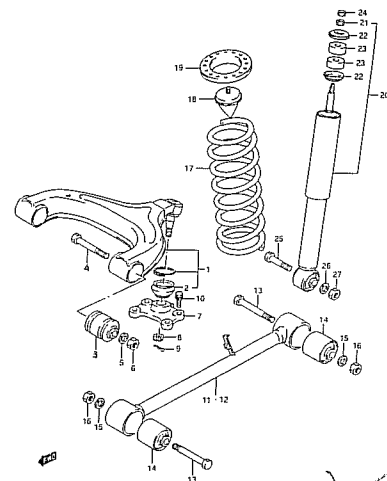


FIG. 108

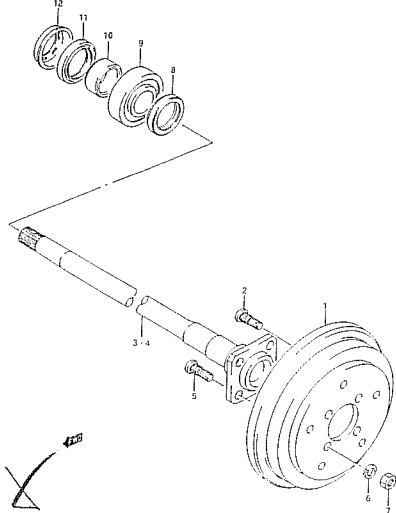


FIG. 109

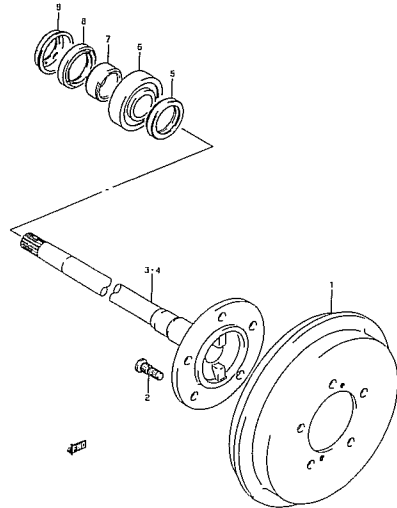


FIG. 110

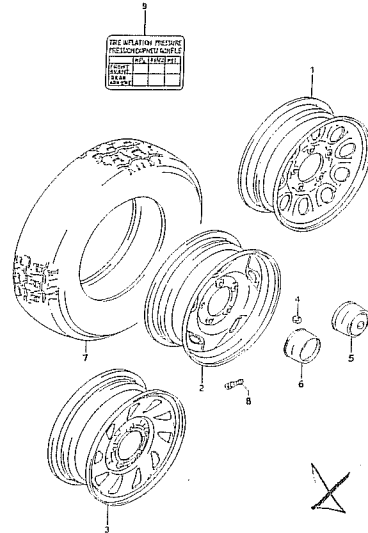


FIG. 111

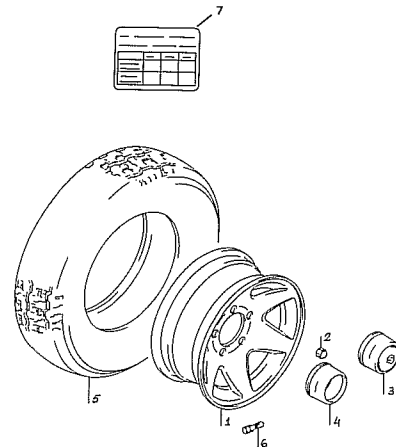


FIG. 112

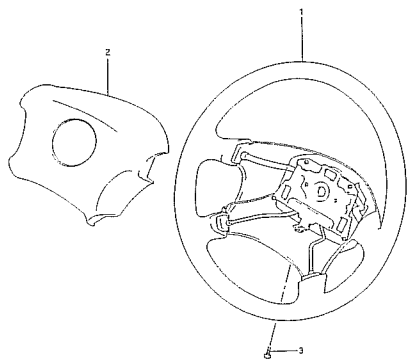


FIG. 113

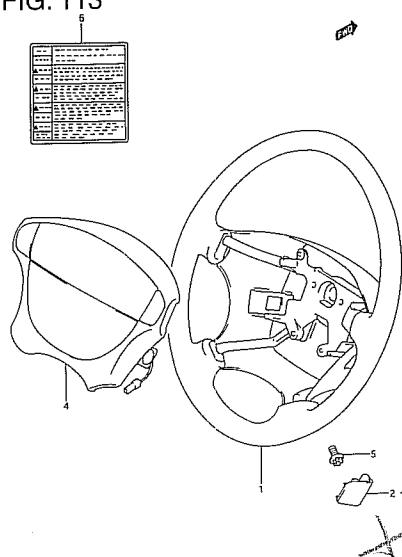


FIG. 114

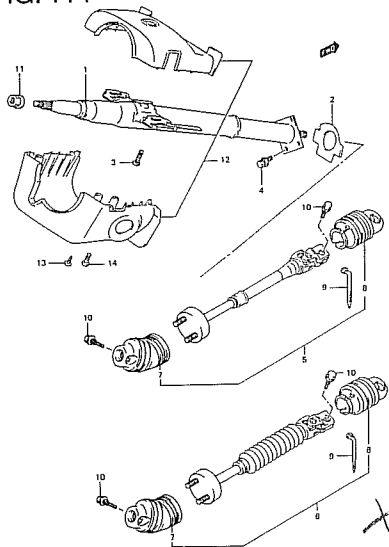


FIG. 115

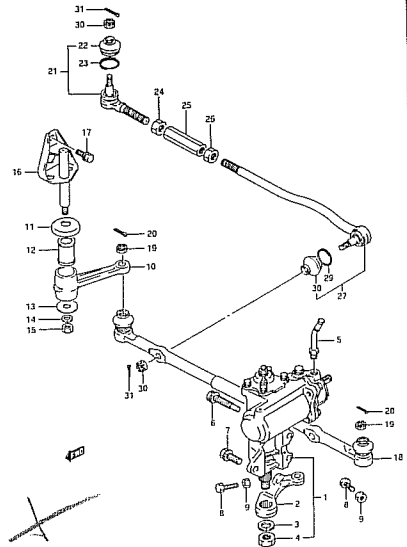


FIG. 116

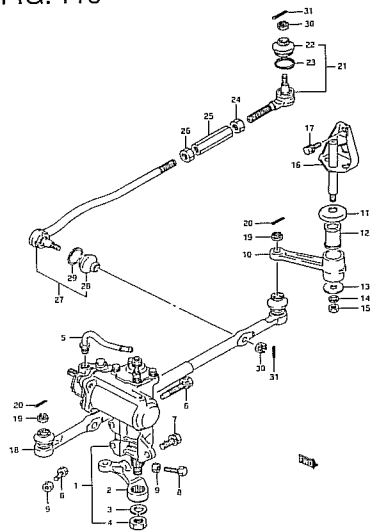


FIG. 117

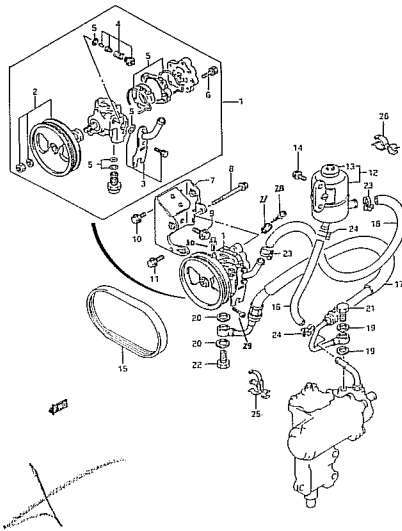


FIG. 118

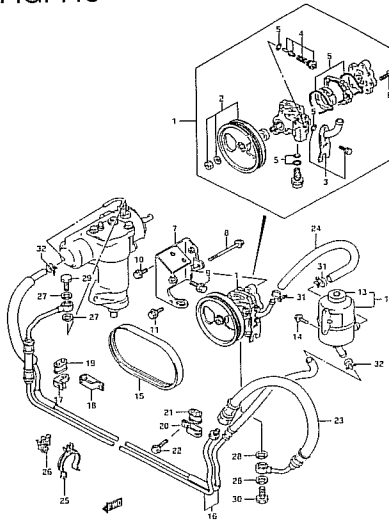


FIG. 119

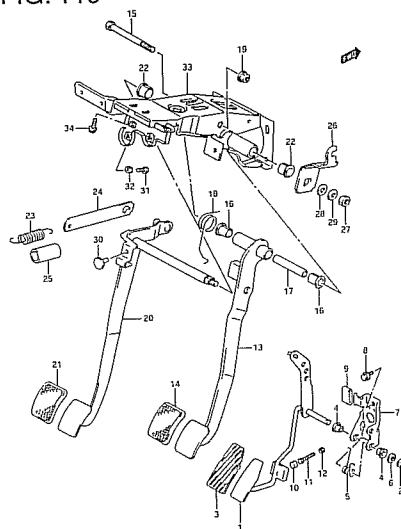


FIG. 120

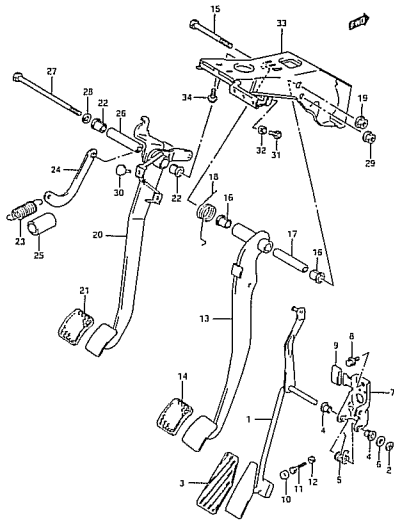


FIG. 121

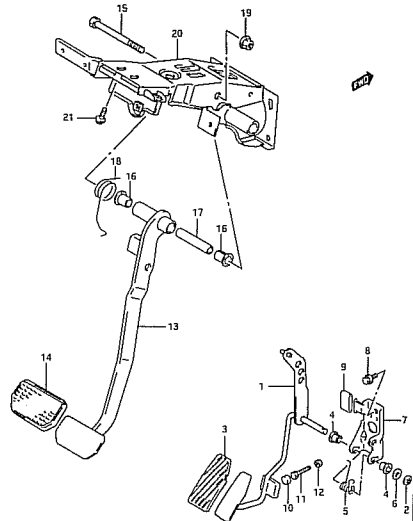


FIG. 122

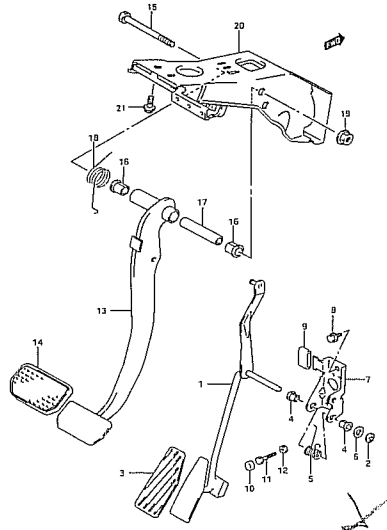


FIG. 123

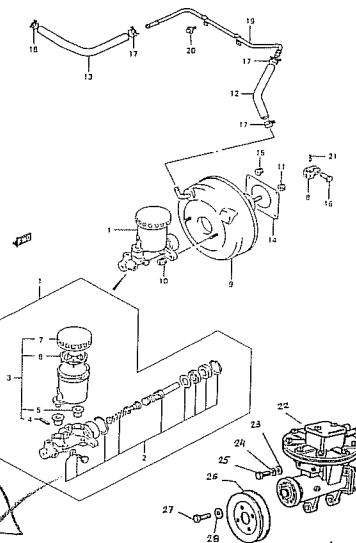


FIG. 124

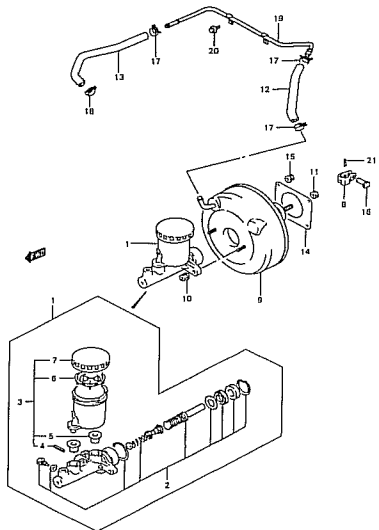


FIG. 125

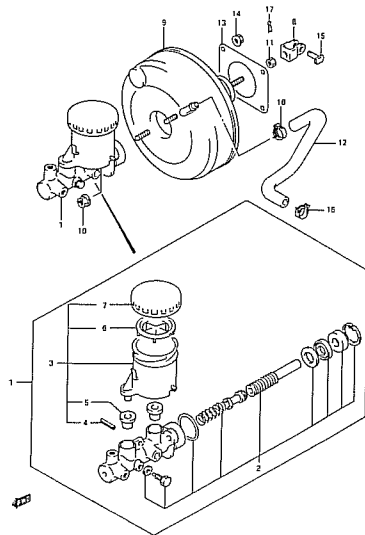


FIG. 126

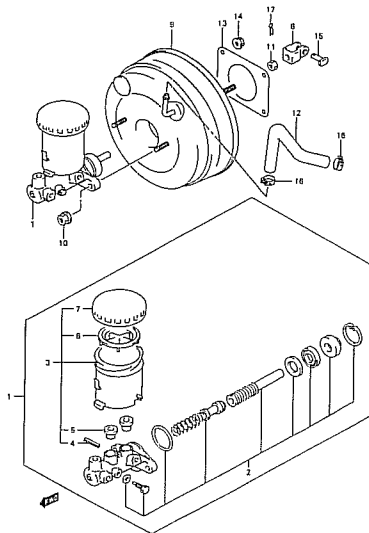


FIG. 127

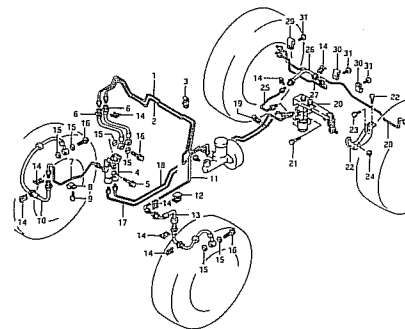


FIG. 128

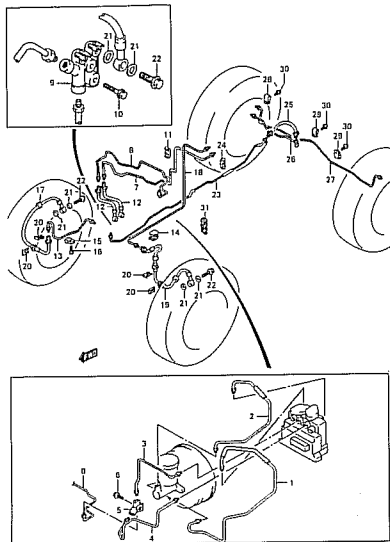


FIG. 129

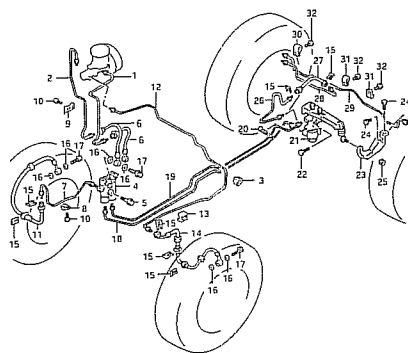


FIG. 130

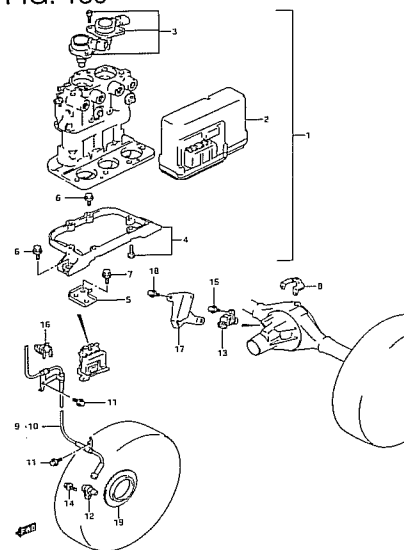


FIG. 131

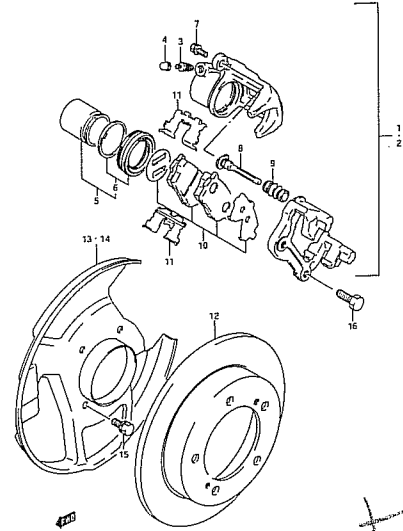


FIG. 132

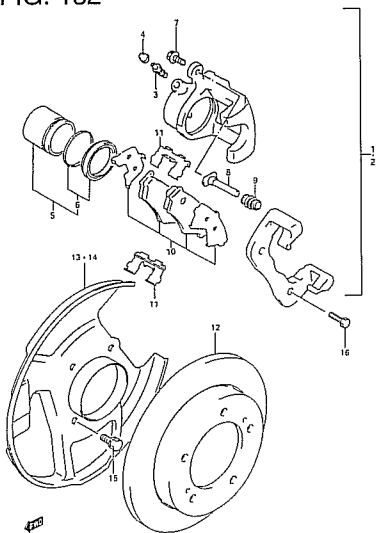


FIG. 133

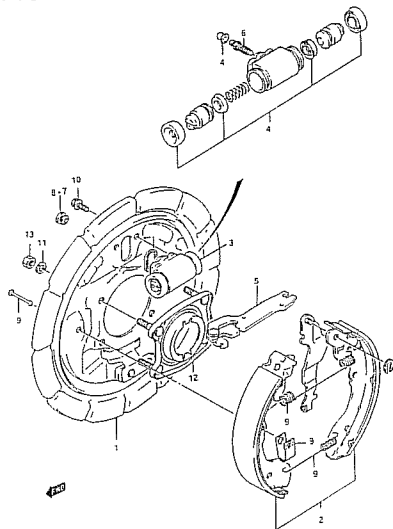


FIG. 134

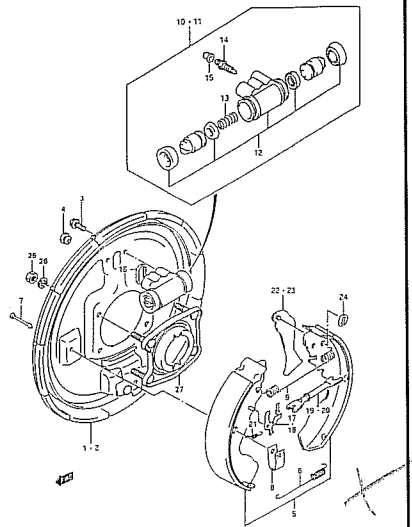


FIG. 135

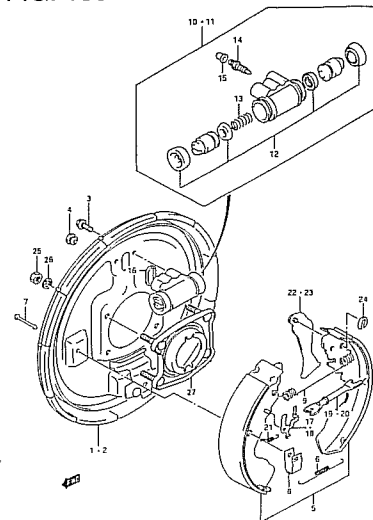


FIG. 136

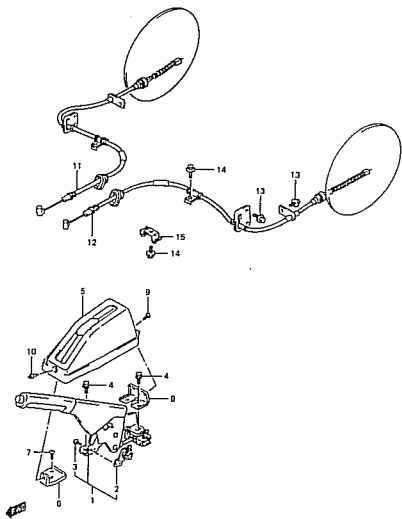


FIG. 137

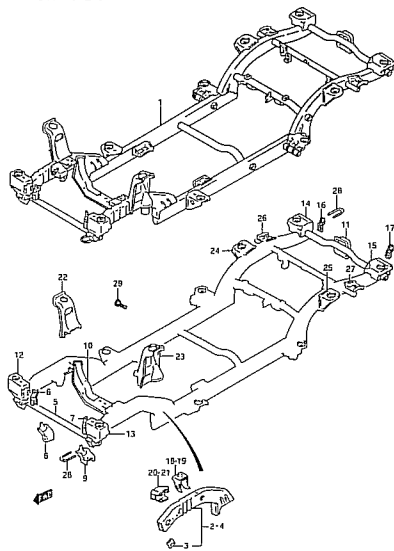


FIG. 138

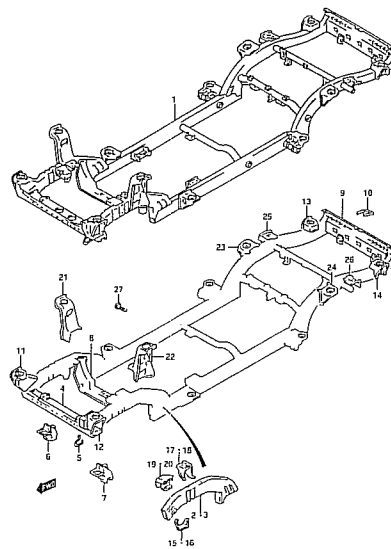


FIG. 139

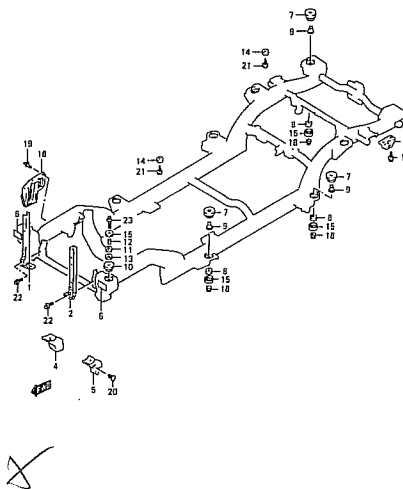


FIG. 140

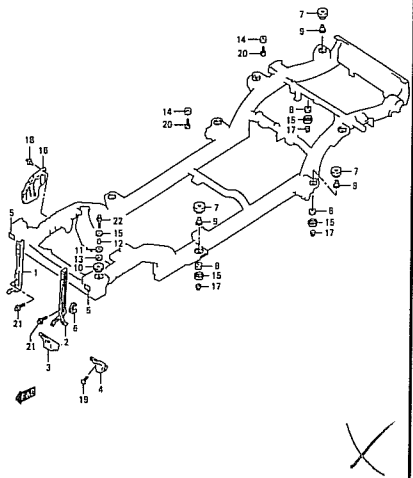


FIG. 141

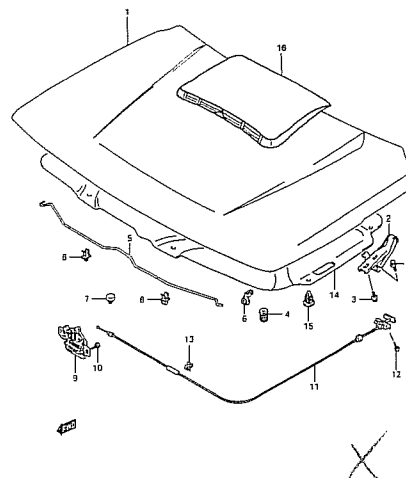


FIG. 142

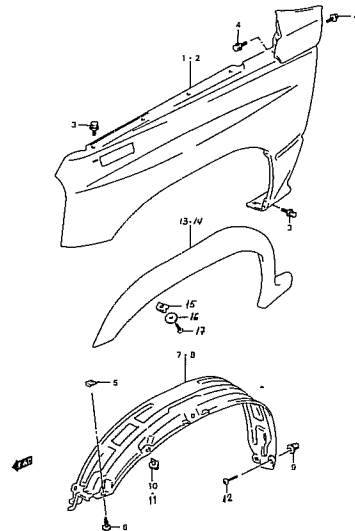


FIG. 143

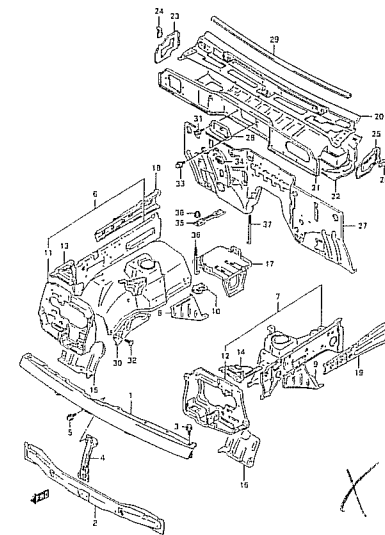


FIG. 144

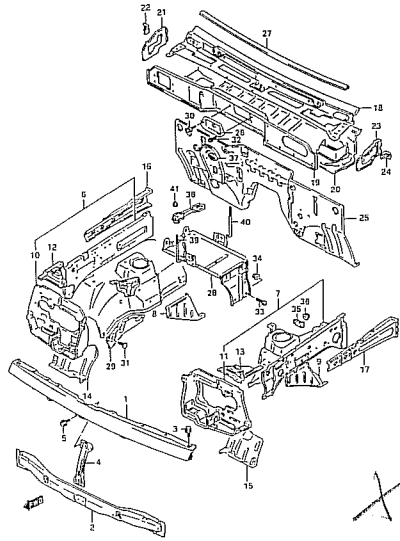


FIG. 145

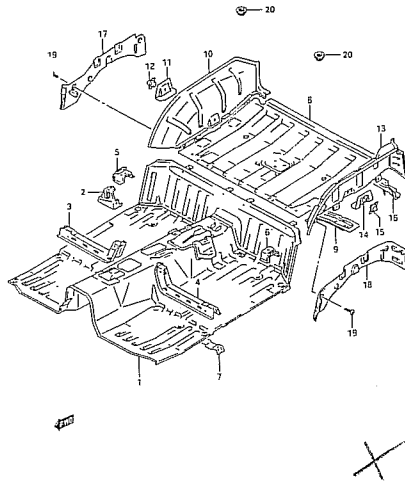


FIG. 146

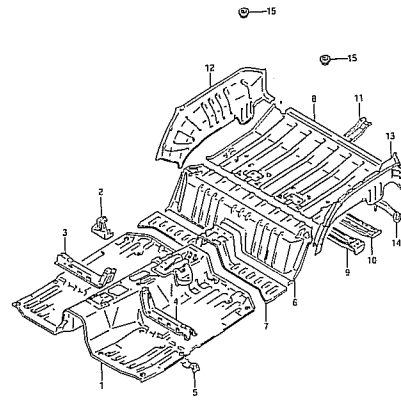


FIG. 147

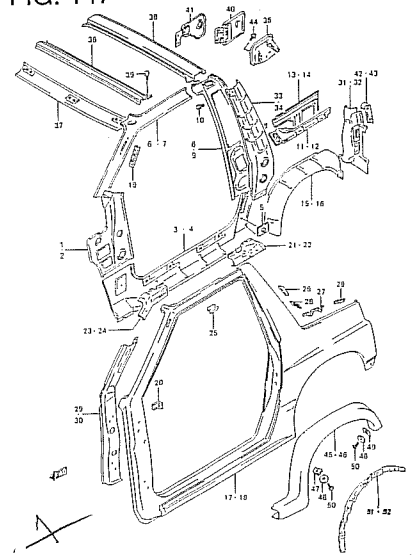


FIG. 148

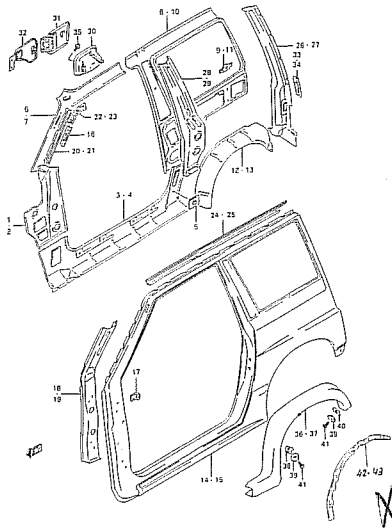


FIG. 149

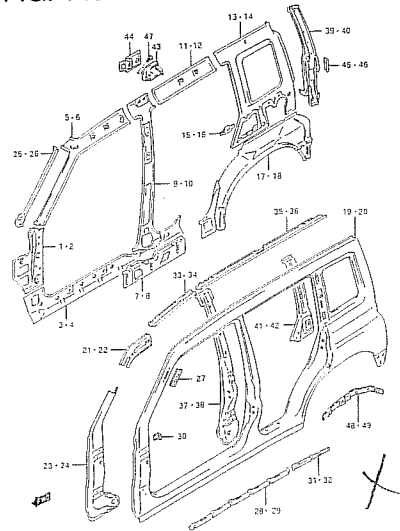


FIG. 150

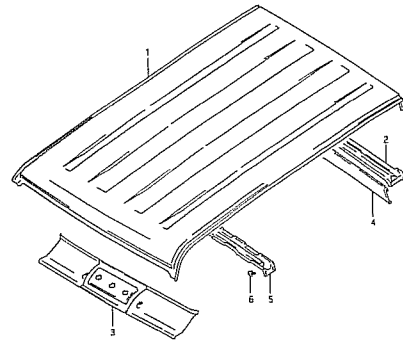


FIG. 151

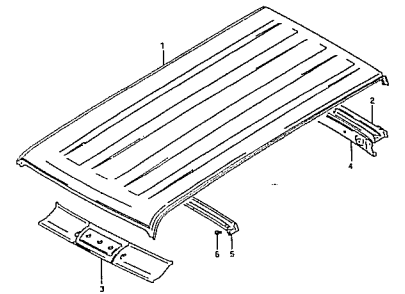




FIG. 152

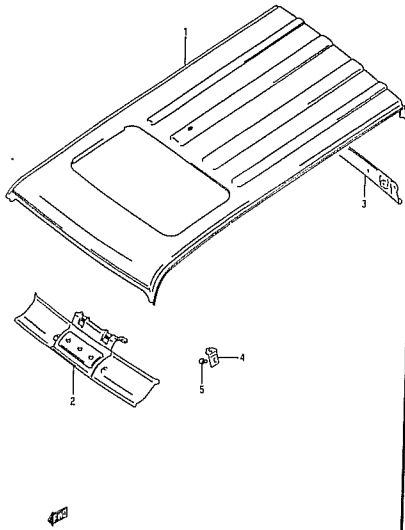


FIG. 153

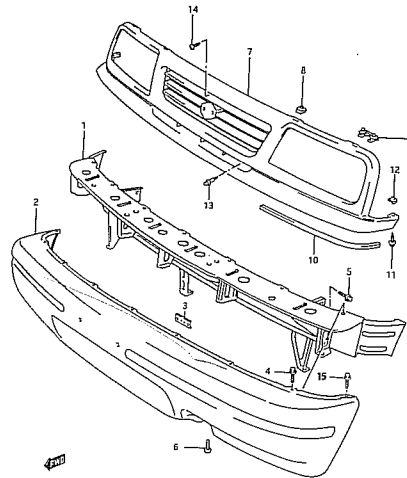


FIG. 154

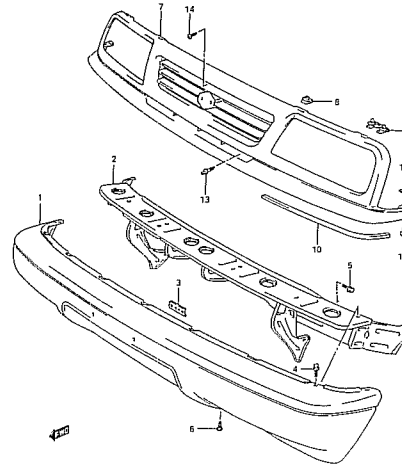


FIG. 155

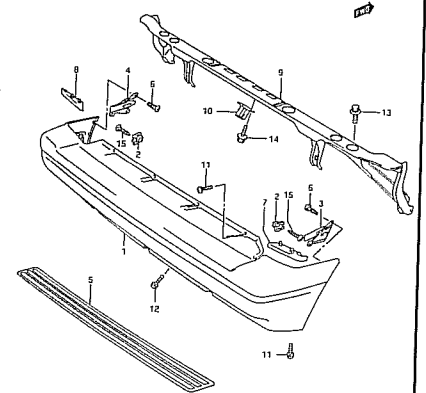


FIG. 156

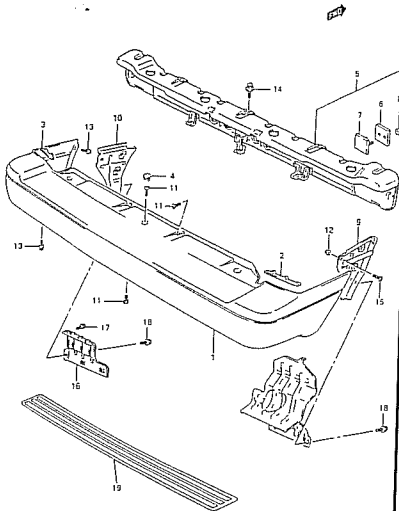


FIG. 157

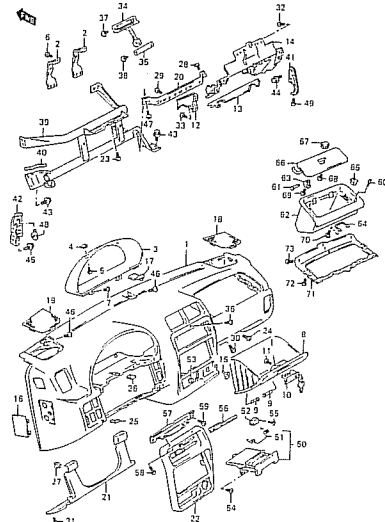


FIG. 158

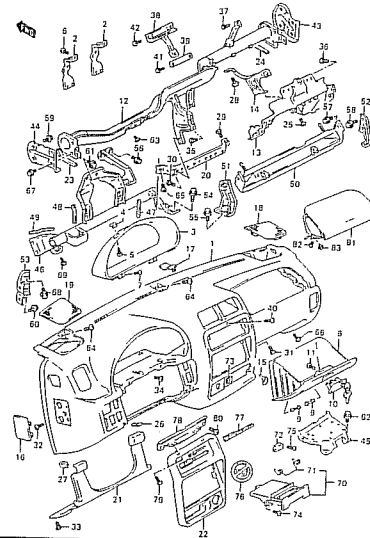
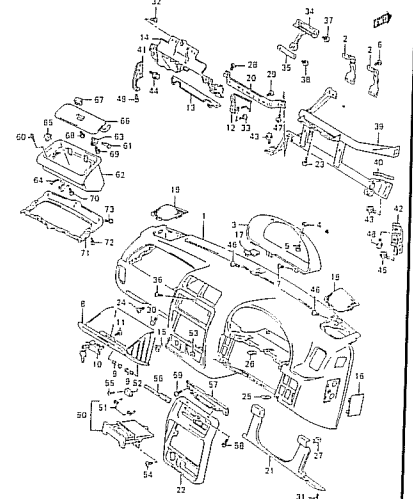


FIG. 159



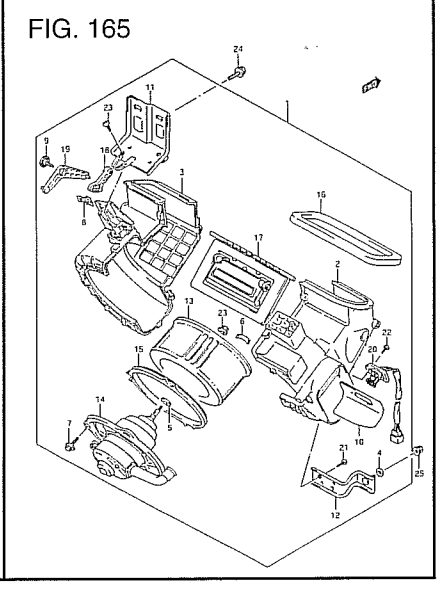
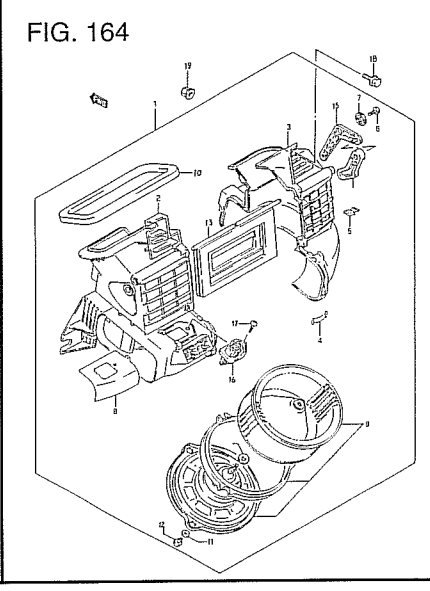
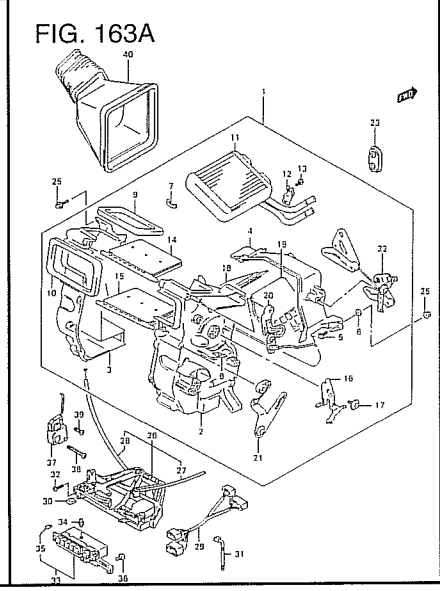
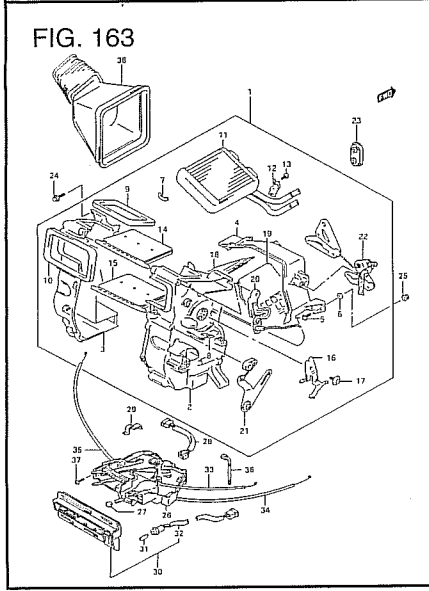
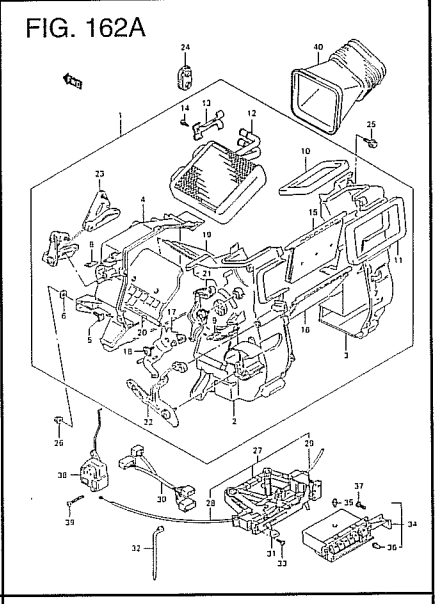
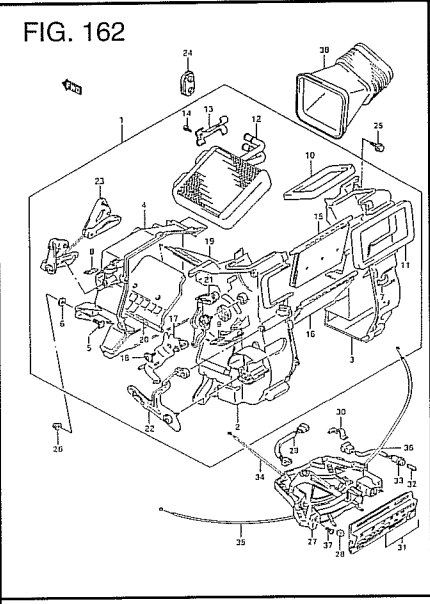
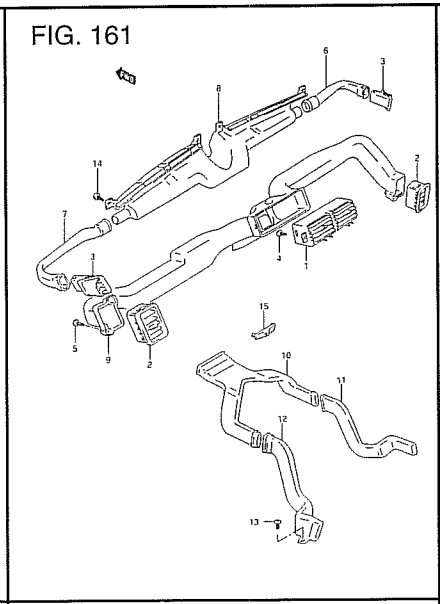
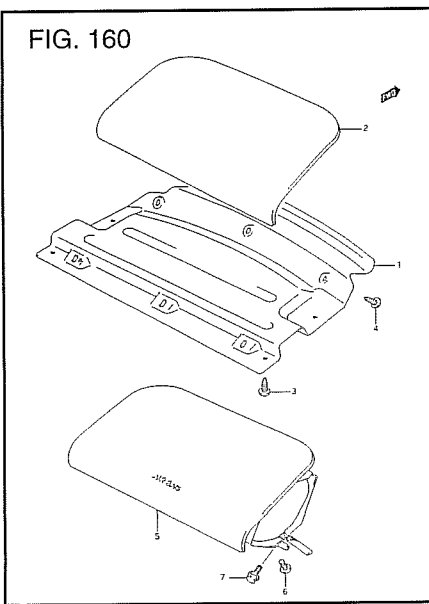




FIG. 174

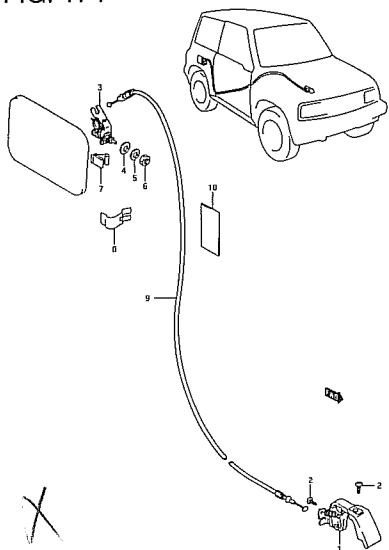


FIG. 175

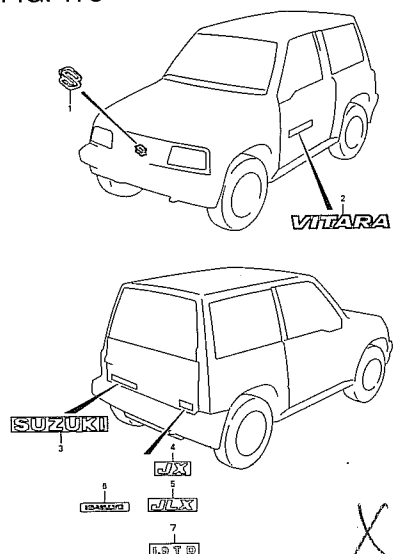


FIG. 176

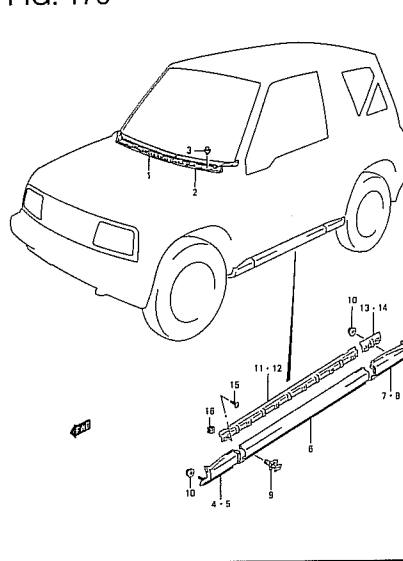


FIG. 177

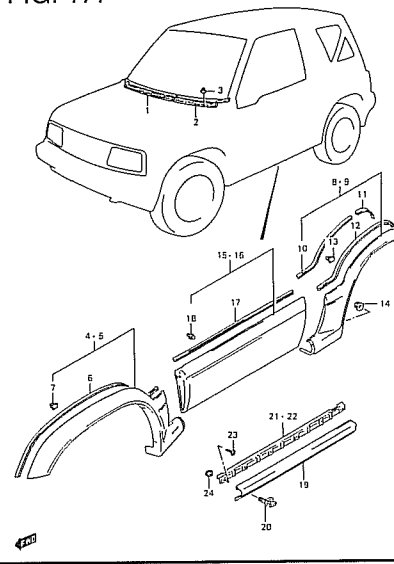


FIG. 178

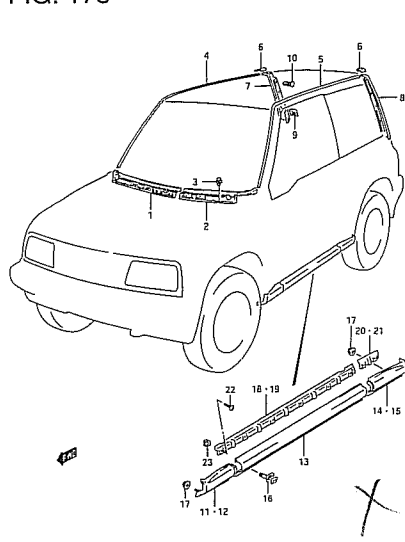


FIG. 179

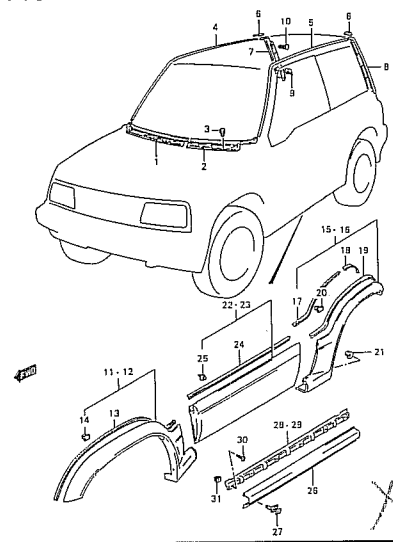


FIG. 180

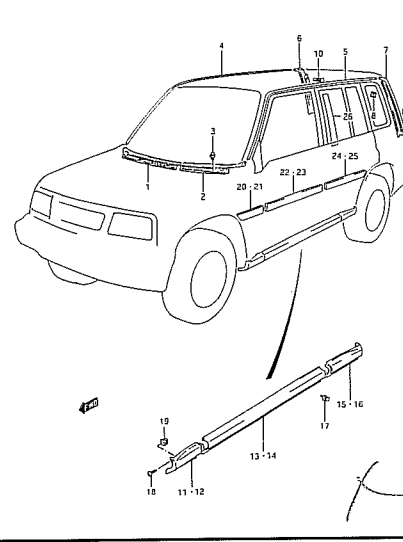


FIG. 181

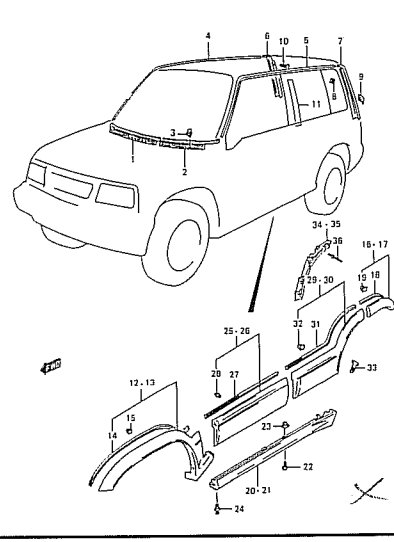


FIG. 182

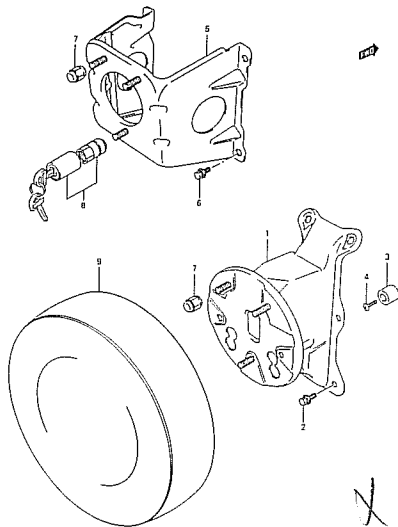


FIG. 183

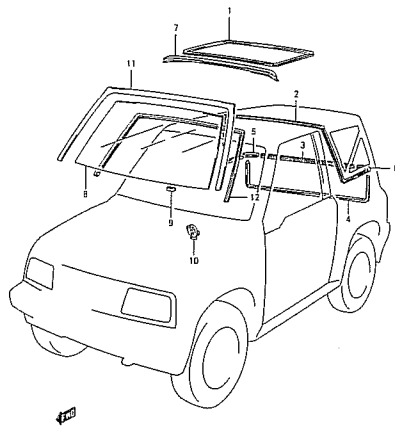


FIG. 184

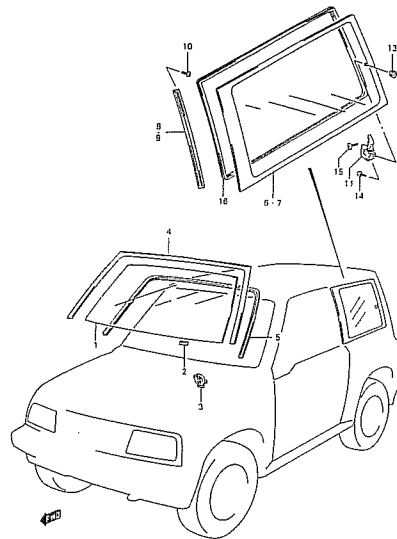


FIG. 185

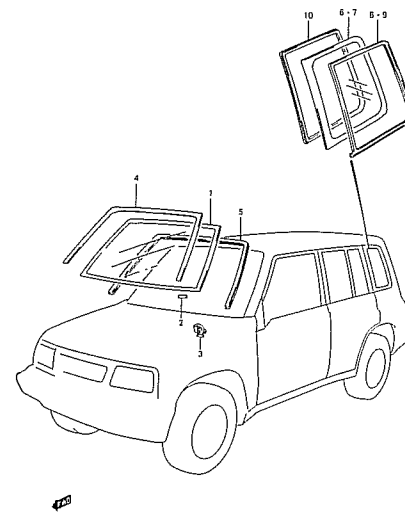


FIG. 186

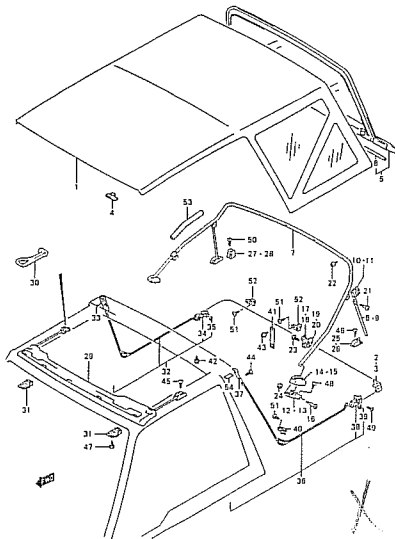


FIG. 187

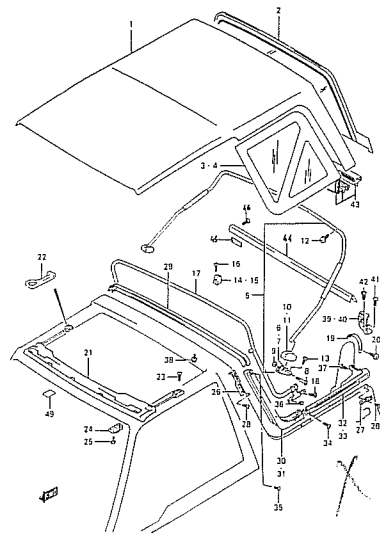


FIG. 187A

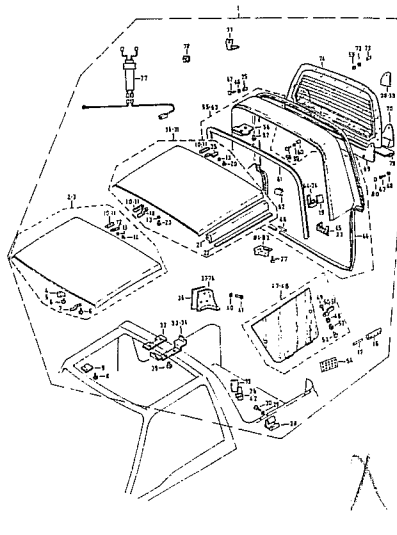


FIG. 188

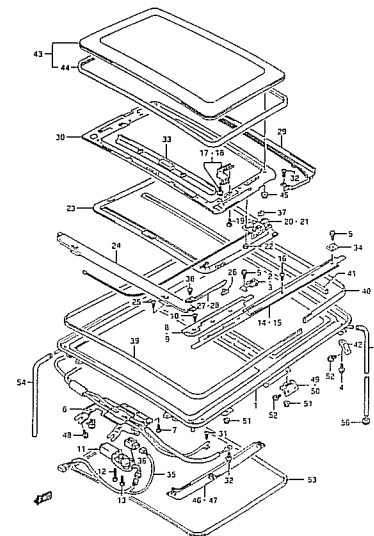


FIG. 189

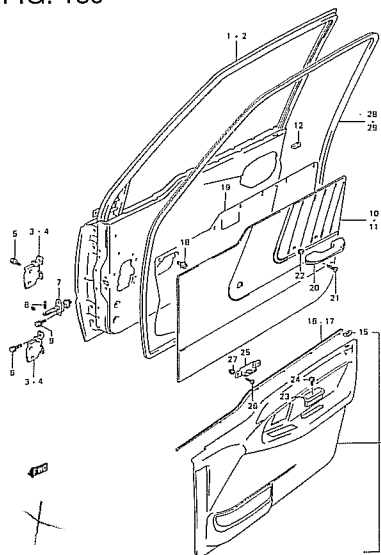


FIG. 190

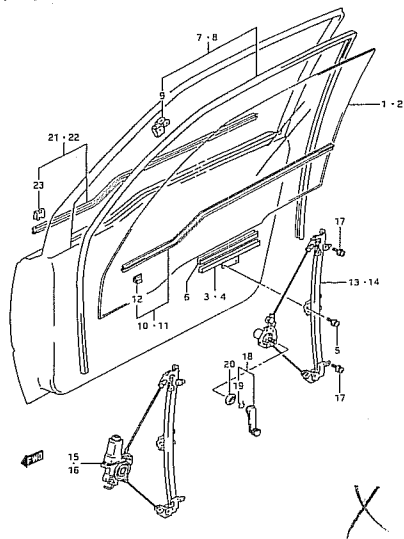


FIG. 191

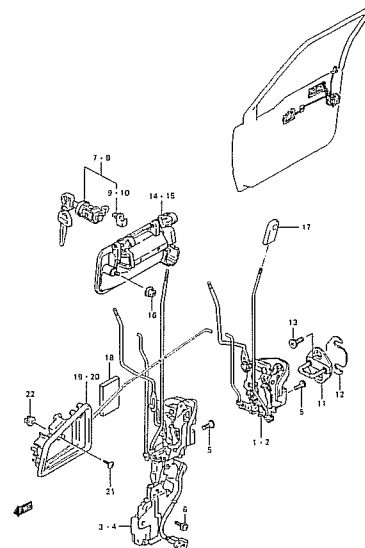


FIG. 192

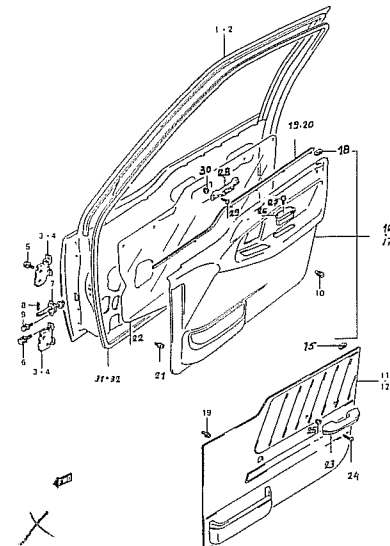


FIG. 193

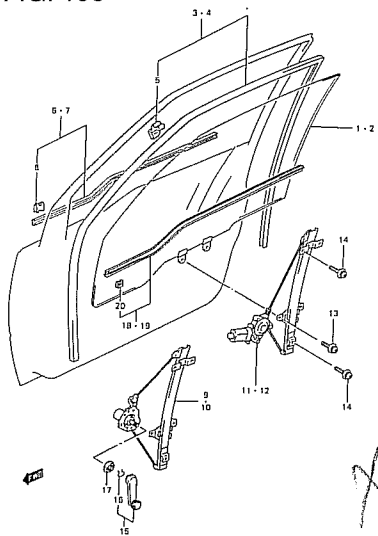


FIG. 194

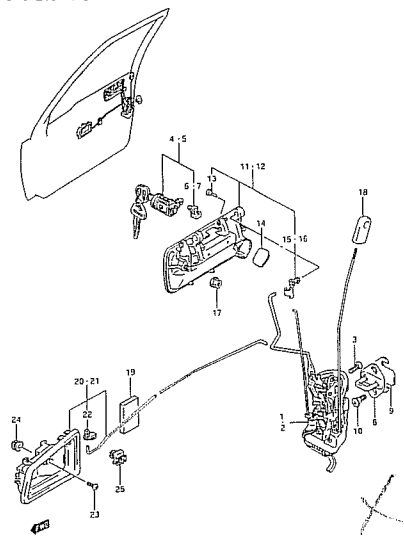


FIG. 195

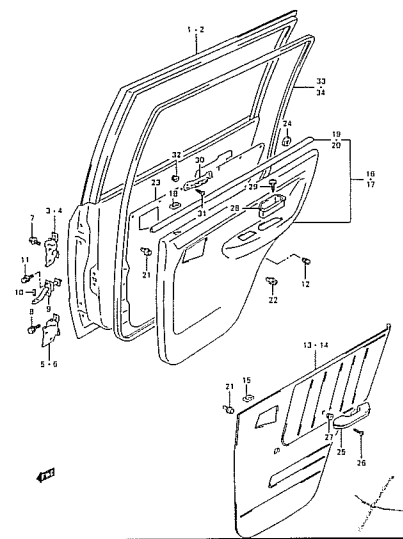


FIG. 196

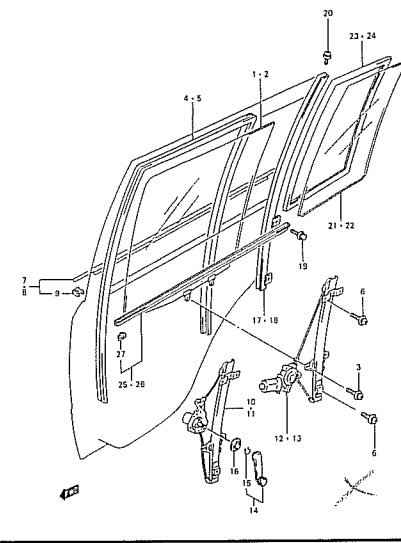


FIG. 197

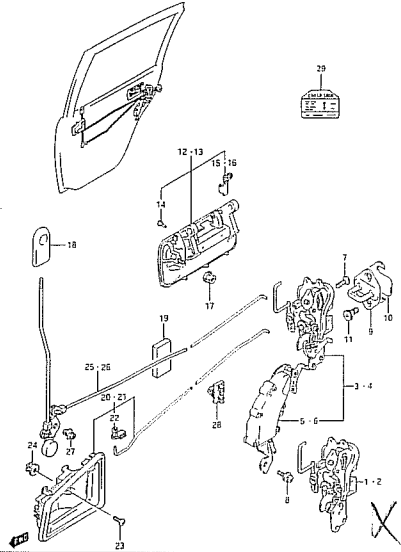


FIG. 198

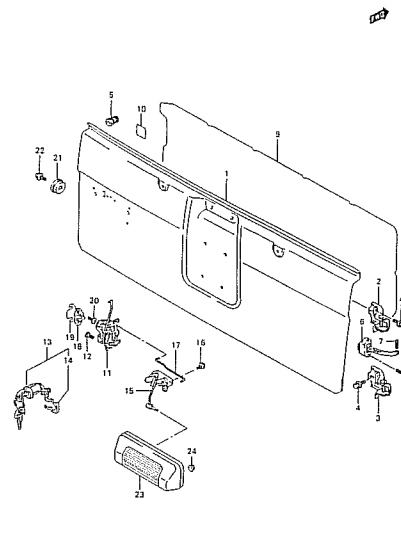


FIG. 199

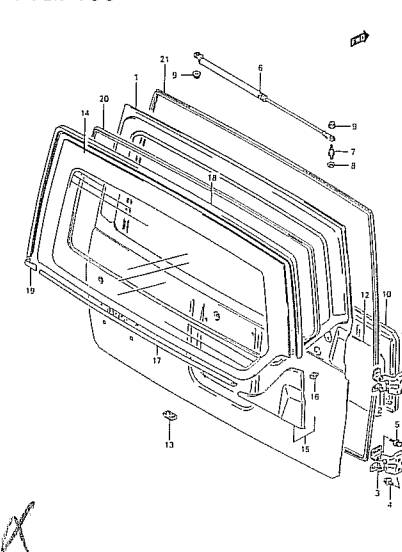


FIG. 200

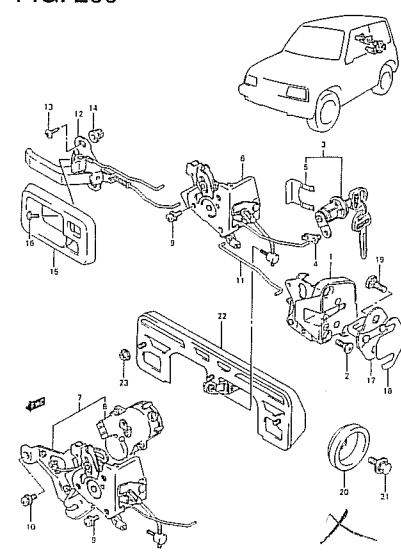


FIG. 201

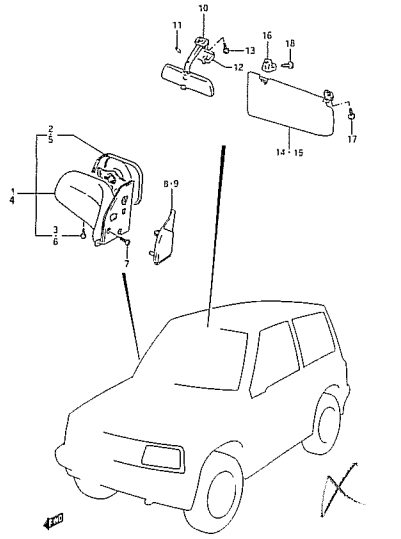


FIG. 202

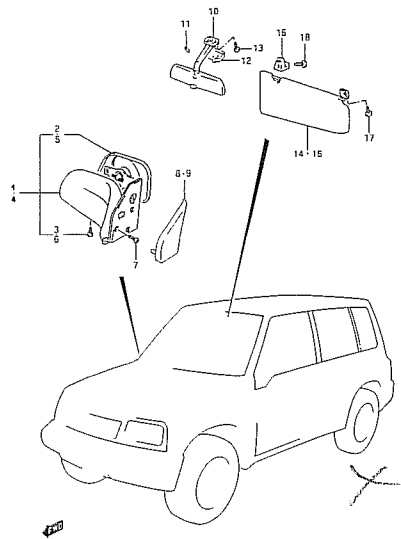


FIG. 203

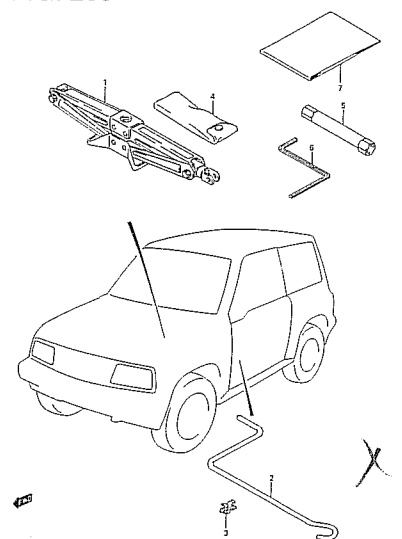


FIG. 204

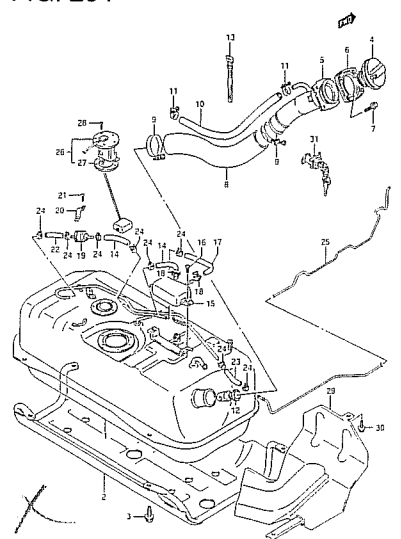


FIG. 205

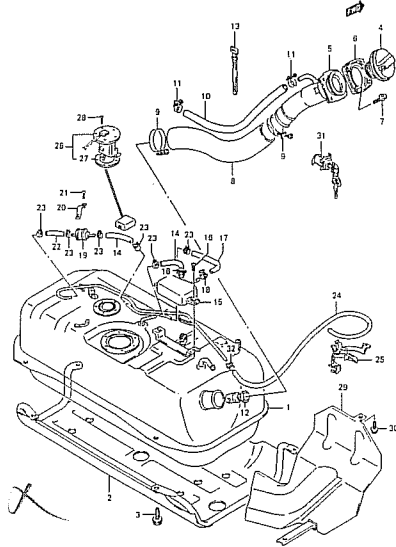


FIG. 206

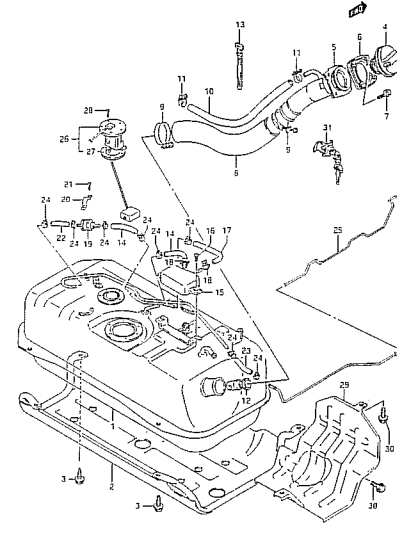


FIG. 207

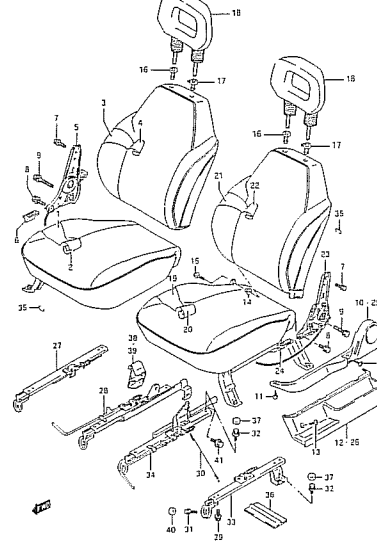


FIG. 208

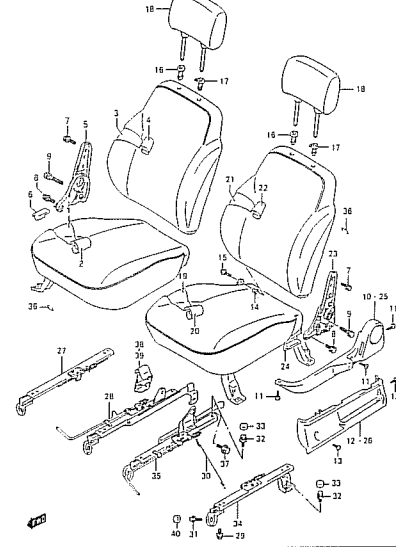


FIG. 209

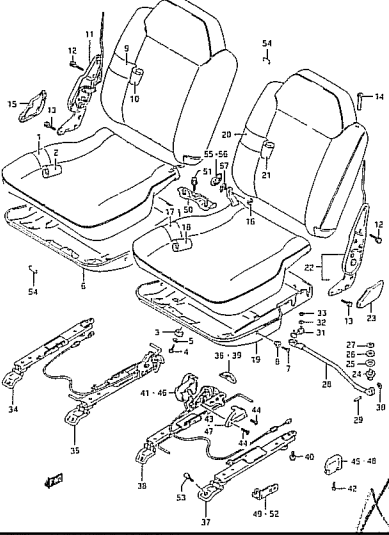


FIG. 210

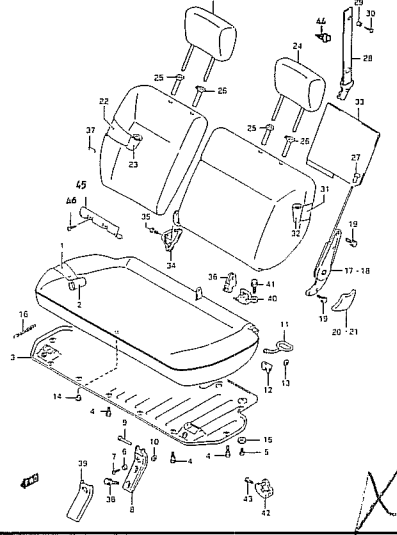


FIG. 211

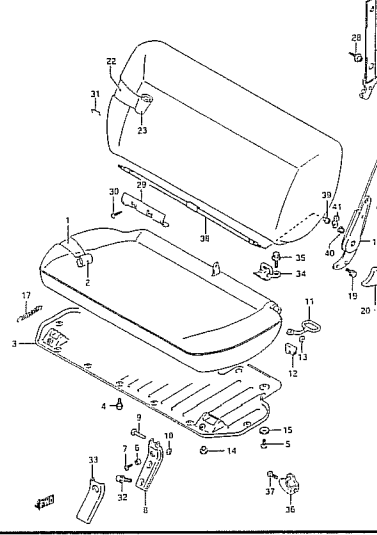


FIG. 212

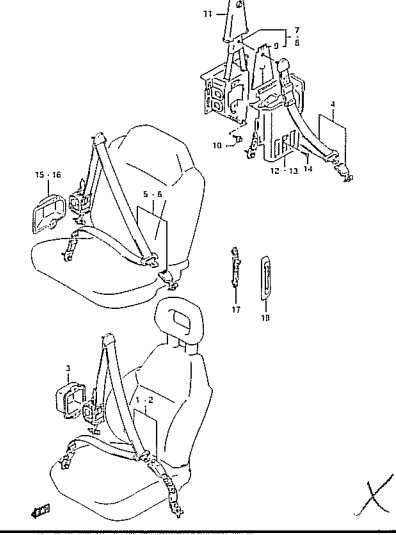






FIG. 221

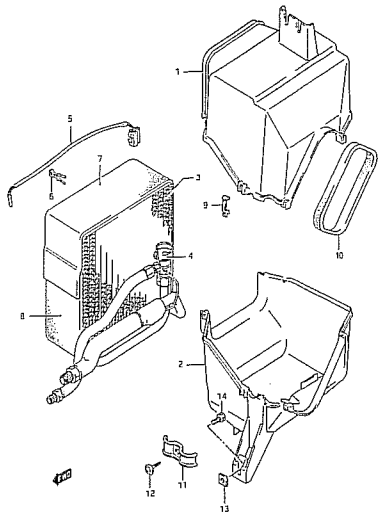
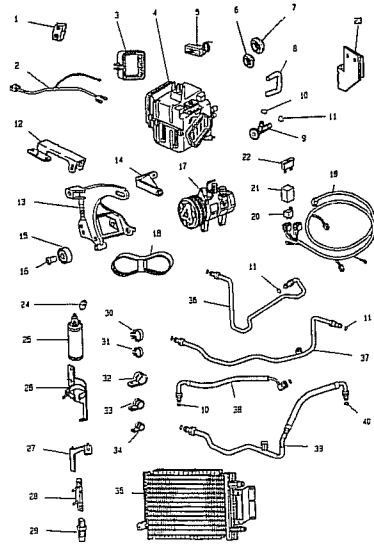
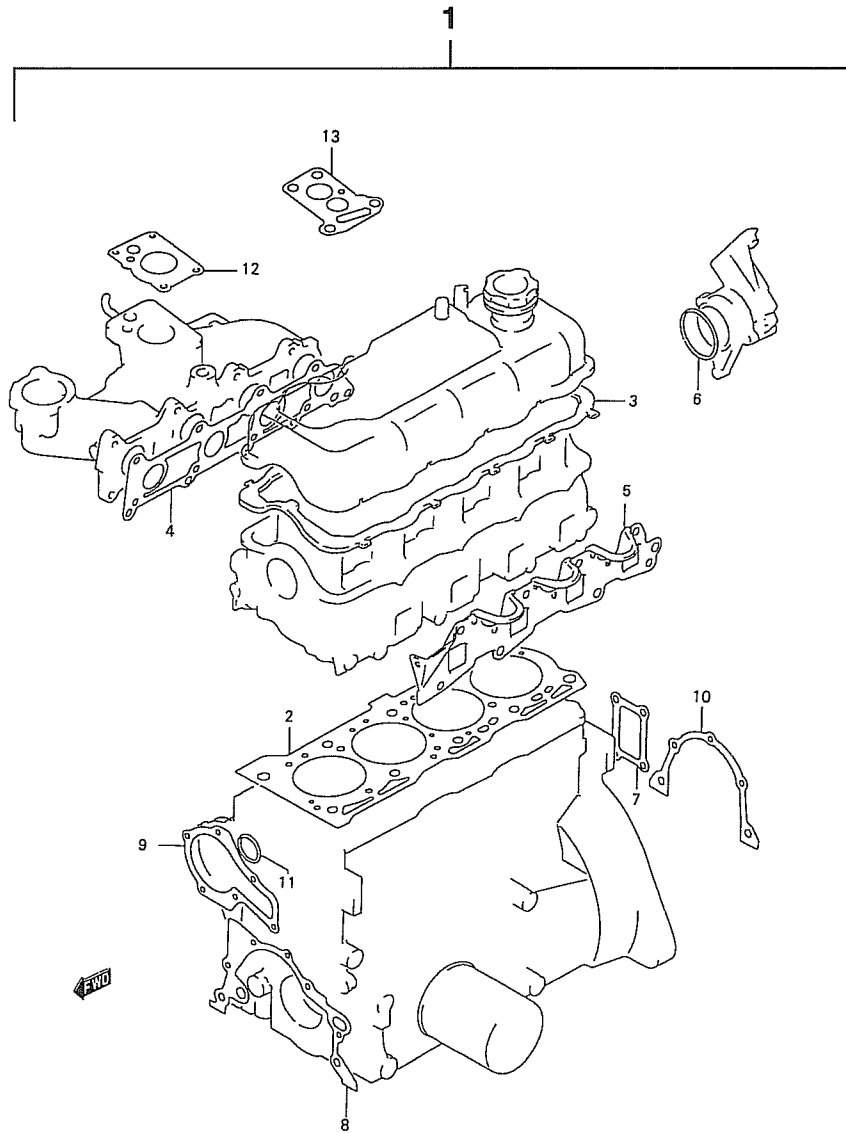


FIG. 222



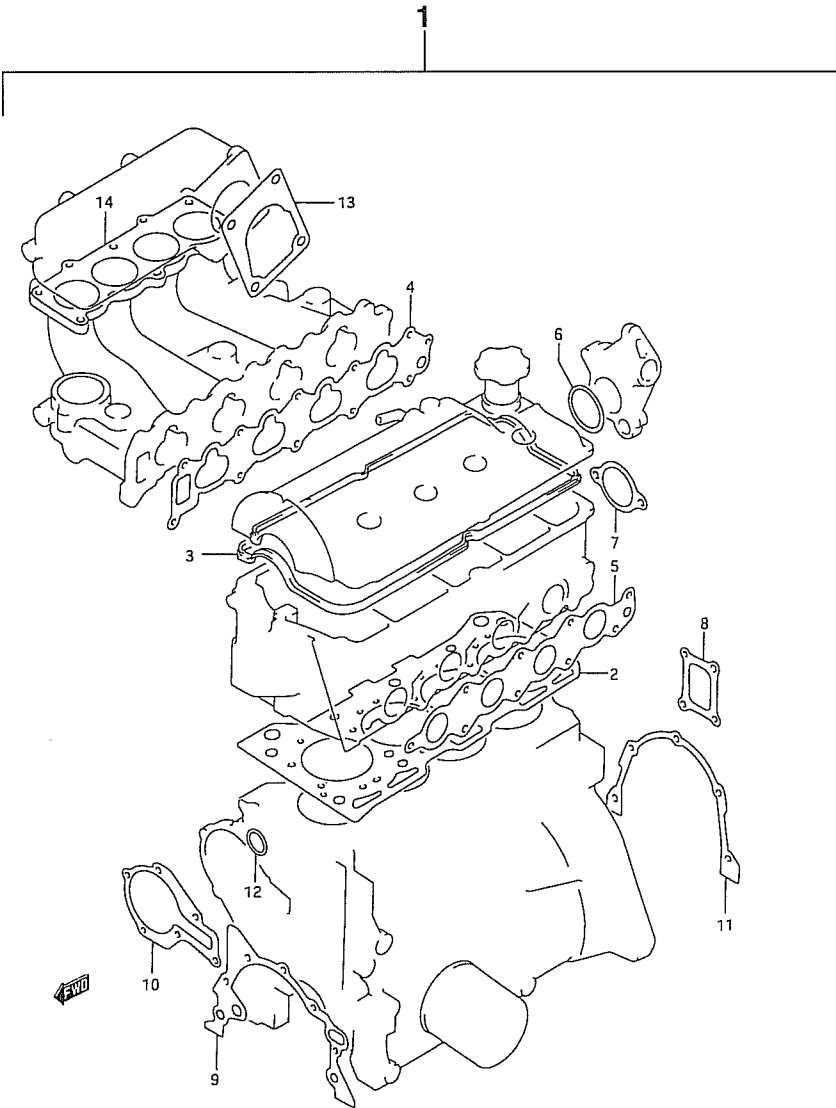
# FIG. 1



## FIG 1. ENGINE GASKET SET (2 VALVE)

REF. NO.	PART NO.	DESCRIPTION	Q' TY		REMARKS
			C	V	
1	11402-85861	GASKET SET, ENGINE	1	1	
2	11141-71C00	.GASKET, CYLINDER HEAD	1	1	
3	11189-85C00	.GASKET, CYLINDER HEAD COVER	1	1	
4	13119-85C00	.GASKET, INTAKE MANIFOLD	1	1	
5	14140-85C00	.GASKET, EXHAUST MANIFOLD	1	1	
6	11162-71C01	.O RING, DISTRIBUTOR CASE	1	1	
7	11229-85C00	.GASKET, CYLINDER BLOCK PLATE	1	1	
8	16119-85C00	.GASKET, OIL PUMP	1	1	
9	17431-85C00	.GASKET, WATER PUMP	1	1	
10	11349-85C00	.GASKET, OIL SEAL HOUSING	1	1	
11	09280-28008	.O RING, WATER INLET PIPE	1	1	
12	13421-85C00	.GASKET, THROTTLE BODY	1	1	W/FUEL INJECTION
13	13125B60A00	.GASKET, CARBURETOR	1	1	W/CARBURETOR

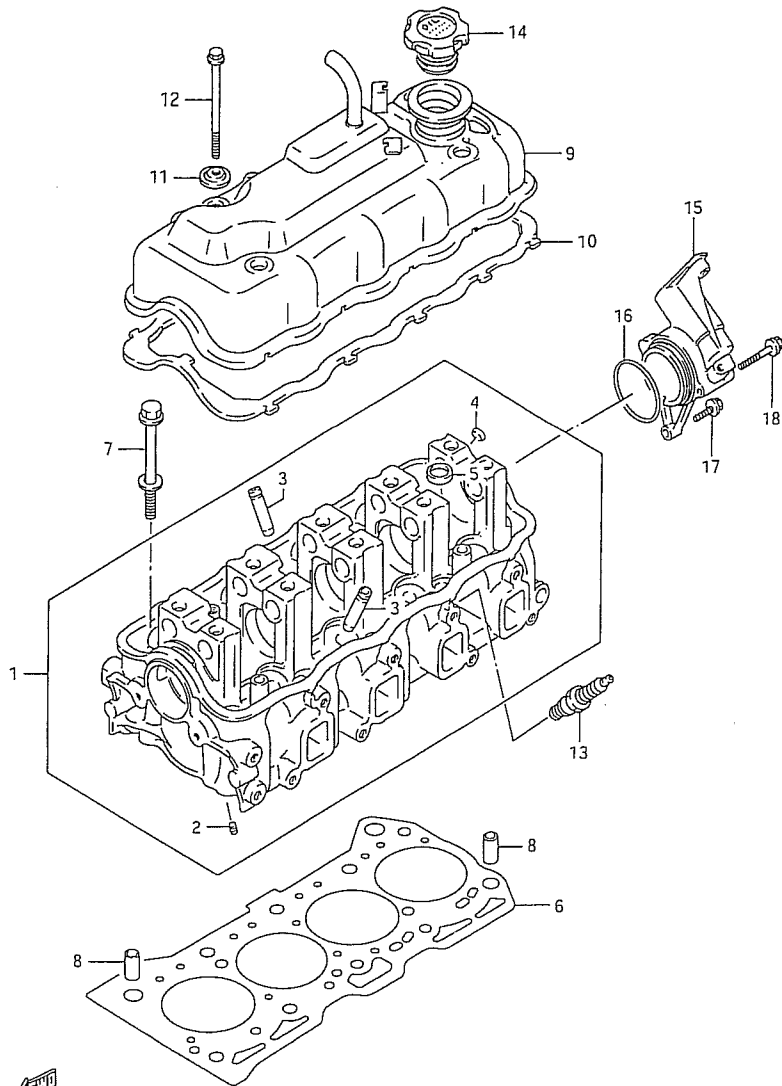
# FIG. 2



## FIG 2. ENGINE GASKET SET (4 VALVE)

REF. NO.	PART NO.	DESCRIPTION	Q' TY		REMARKS
			C	V	
1	11402-85883	GASKET SET, ENGINE	1	1	
2	11141-71C00	.GASKET, CYLINDER HEAD	1	1	
3	11189-71C00	.GASKET, CYLINDER HEAD COVER	1	1	
4	13119-85C10	.GASKET, INTAKE MANIFOLD	1	1	
5	14140-58B01	.GASKET, EXHAUST MANIFOLD	1	1	
6	11162-71C01	.O RING, DISTRIBUTOR CASE	1	1	
7	17699-60B02	.GASKET, THERMOSTAT CASE	1	1	
8	11229-85C00	.GASKET, CYLINDER BLOCK PLATE	1	1	
9	16119-85C00	.GASKET, OIL PUMP	1	1	
10	17431-85C00	.GASKET, WATER PUMP	1	1	
11	11349-85C00	.GASKET, OIL SEAL HOUSING	1	1	
12	09280-28008	.O RING, WATER INLET PIPE	1	1	
13	13421-85C10	.GASKET, THROTTLE BODY	1	1	
14	13122-58B00	.GASKET, SURGE TANK	1	1	

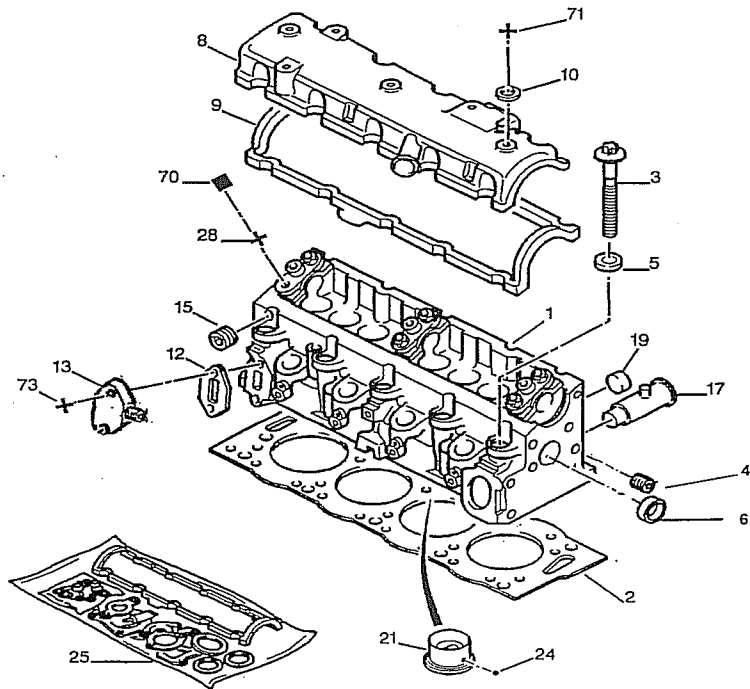
# FIG. 3



## FIG 3. CYLINDER HEAD (2 VALVE: W/FUEL INJECTION)

REF. NO.	PART NO.	DESCRIPTION	QTY		REMARKS
			C	V	
1	11110-61A00	HEAD, CYLINDER	1	1	
2	11112-73001	.PLUG, OIL VENTURE	1	1	
3	11115-82000-00	.GUIDE, VALVE	8	8	
4	09241-12002	.PLUG (OD:12,H:4)	1	1	
5	09241-20006	.PLUG (OD:20,H:6)	4	4	
6	11141-71C00	GASKET, CYLINDER HEAD	1	1	
7	11119-85C00	BOLT, CYLINDER HEAD	10	10	
8	04211-13189	PIN	2	2	
9	11170-61A11	COVER, CYLINDER HEAD	1	1	
10	11189-85C00	GASKET, CYLINDER HEAD COVER	1	1	
11	11180-82010	WASHER, HEAD COVER SEAL	4	4	
12	01517-06803	BOLT	4	4	
13-1	09482-00155	PLUG, SPARK (NGK,BPR5ES)	4	4	
13-2	09482-00167	PLUG, SPARK (DENSO,W16EXR-U)	4	4	
13-3	09482-00427	PLUG, SPARK (BOSCH,WR8DC)	4	4	
14	16920-60A02	CAP, OIL FILLER	1	1	
15	11161A60A00	CASE, DISTRIBUTOR	1	1	
16	11162-71C01	O RING, DISTRIBUTOR CASE	1	1	
17	01550-06253	BOLT	2	2	
18	01550-06503	BOLT	1	1	

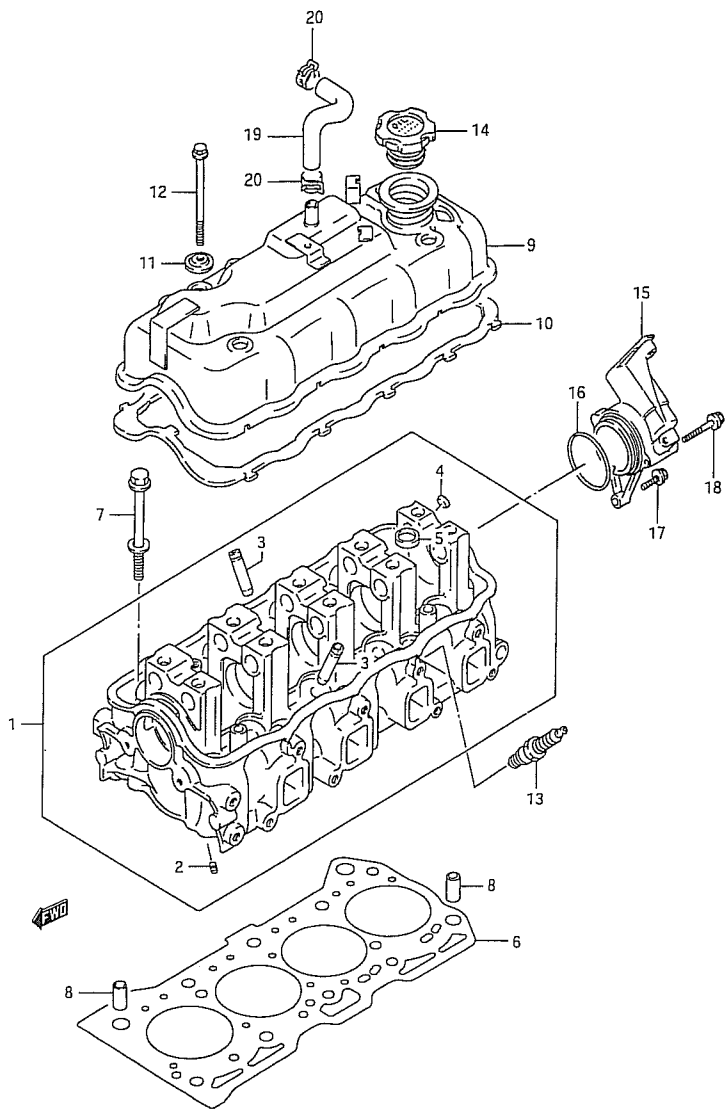
# FIG. 3A



## FIG 3A. CYLINDER HEAD 1.9 TD

REF. NO.	PART NO.	DESCRIPTION	Q' TY		REMARKS
			C	V	
1	11111-86CB0	CYLINDER HEAD	1	1	
2-1	11141-86CB0	CYL. HEAD GASKET	1	1	EP 1,40
2-2	11141-86CB1	CYL. HEAD GASKET	1	1	EP 1,44
2-3	11141-86CB2	CYL. HEAD GASKET	1	1	EP 1,48
2-4	11141-86CB3	CYL. HEAD GASKET	1	1	EP 1,52
3	11227-86CB3	SCREW	10	10	12x1,50-123
4	M9246-86CA1	PLUG	1	1	12x150
5	09160-86CA0	WASHER	10	10	13x24-3
6	M9241-86CA0	PLUG	2	2	DIAMETRO 27
8	11170-86CA0	COVER	1	1	
9	11189-86CA0	GASKET	1	1	
10	09160-86CA1	WASHER	3	3	
12	11124-86CA0	GASKET	1	1	
13	11122-86CA1	PLATE	1	1	
15	M9246-86CA0	PLUG	1	1	M9x100
17	11226-86CA1	SOCKET	1	1	23x85.5
19-1	M9241-86CA0	PLUG	10	10	DIAMETRO 27
19-2	M9241-86CA1	PLUG	-	-	DIAMETRO 27,5
19-3	M9241-86CA2	PLUG	-	-	DIAMETRO 28,5
21-1	10000-86CA0	SWIRL CHAMBER	4	4	DIAMETRO 32,45
21-2	10000-86CA1	SWIRL CHAMBER	4	4	DIAMETRO 32,65
24	06112-86CA0	BALL	4	4	DIAMETRO 3
25	11401-86CA1	SET OF GASKETS	1	1	
28	M1421-86CA0	STUD	6	6	8x125
70	11121-86CA0	NUT	6	6	8x125
71	01517-86CA0	SCREW H	3	3	6x100-25
73	M9103-86CA0	SCREW CHC	2	2	7x100-31

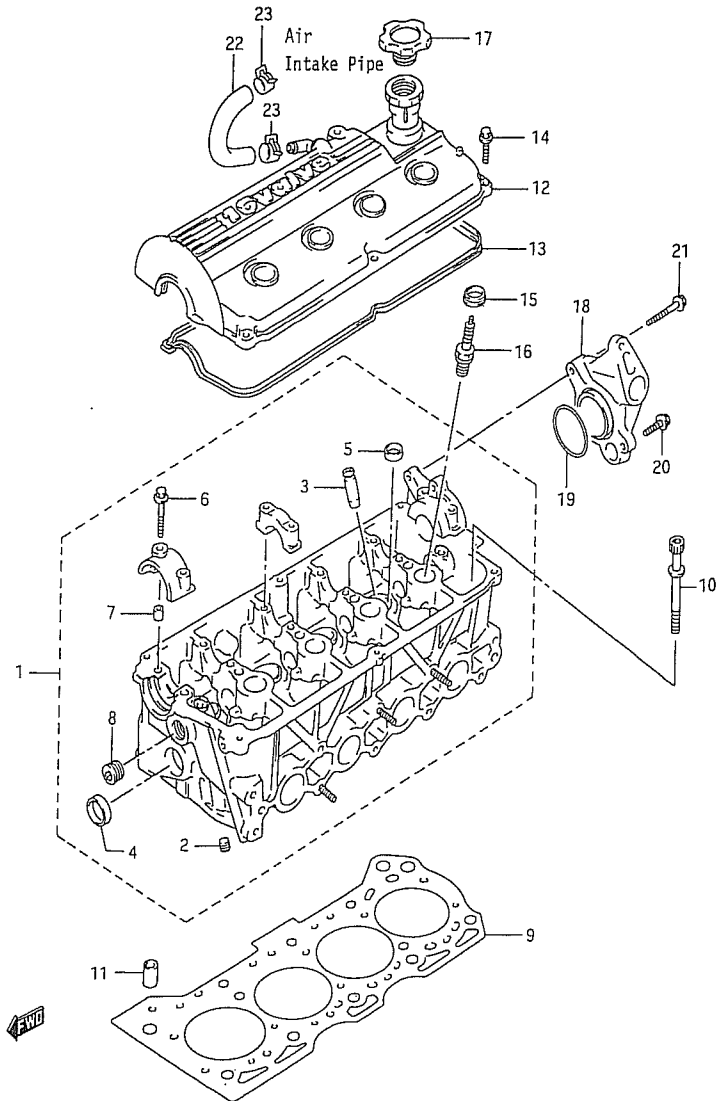
# FIG. 4



## FIG 4. CYLINDER HEAD (2 VALVE: W/CARBURETOR)

REF. NO.	PART NO.	DESCRIPTION	Q' TY		REMARKS
			C	V	
1	11110-60A00	HEAD, CYLINDER	1	1	
2	11112-73001	.PLUG, OIL VENTURE	1	1	
3	11115-82000-00	.GUIDE, VALVE	8	8	
4	09241-12002	.PLUG (OD:12,H:4)	1	1	
5	09241-20006	.PLUG (OD:20,H:6)	4	4	
6	11141-71C00	GASKET, CYLINDER HEAD	1	1	
7	11119-85C00	BOLT, CYLINDER HEAD	10	10	
8	04211-13189	PIN	2	2	
9	11170-60A01	COVER, CYLINDER HEAD	1	1	
10	11189-85C00	GASKET, CYLINDER HEAD COVER	1	1	
11	11180-82010	WASHER, HEAD COVER SEAL	4	4	
12	01517-06803	BOLT	4	4	
13-1	09482-00299	PLUG, SPARK (NGK,BPR6ES)	4	4	
13-2	09482A00155	PLUG, SPARK (CHAMPION,RN9YC)	4	4	
14	16920-60A02	CAP, OIL FILLER	1	1	
15	11161A60A00	CASE, DISTRIBUTOR	1	1	
16	11162-71C00	O RING, DISTRIBUTOR CASE	1	1	
17	01550-06253	BOLT	2	2	
18	01550-06503	BOLT	1	1	
19	11191-85C00	HOSE, BREATHER	1	1	
20	11196-85C10	CLAMP	2	2	

# FIG. 5

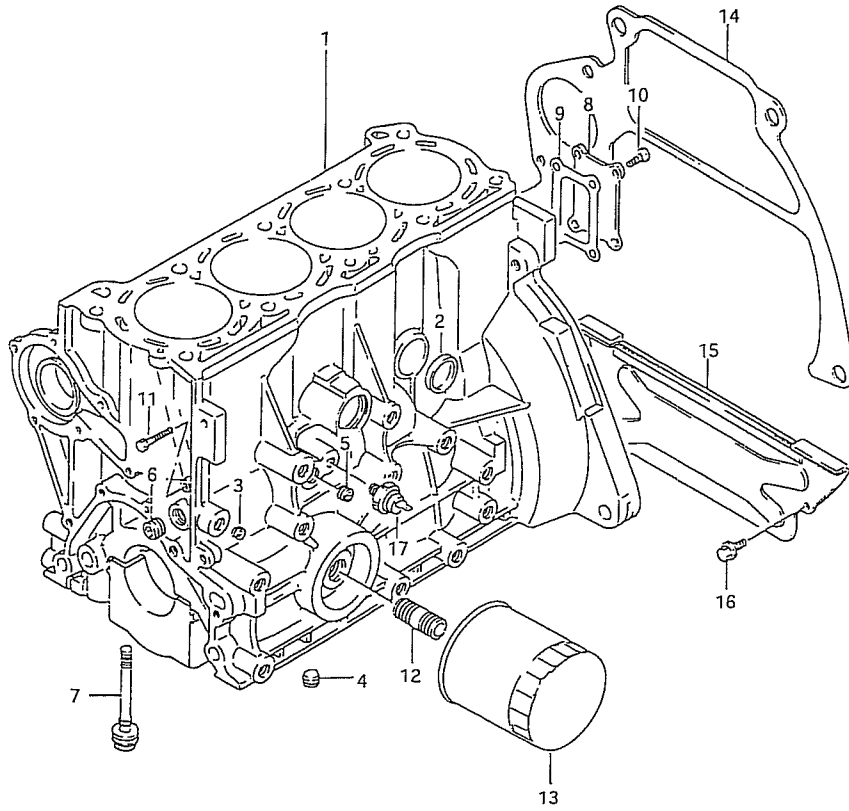


## FIG 5. CYLINDER HEAD (4 VALVE)

REF. NO.	PART NO.	DESCRIPTION	Q' TY		REMARKS
			C	V	
1	11100-57B02	HEAD ASSY, CYLINDER	1	1	
2	11112-73001	.PLUG, OIL VENTURI	1	1	
3	11115-60B11-00	.GUIDE, VALVE	16	16	
4	09241-30009	.PLUG	1	1	
5	09241-20006	.PLUG	3	3	
6	09103-06132	.BOLT (6X41)	12	12	
7	09206-08001	.PIN	12	12	
8	09246-16012	.PLUG	1	1	
9	11141-71C00	GASKET, CYLINDER HEAD	1	1	
10-1	11117-71C00	BOLT, CYLINDER HEAD	10	10	MY97,
10-2	11117-73G00	BOLT, CYLINDER HEAD	10	10	MY98,
11	04211-13189	PIN	2	2	
12	11170-57B03	COVER, CYLINDER HEAD	1	1	
13	11189-71C00	GASKET, CYLINDER HEAD COVER	1	1	
14	11178-71C00	BOLT, CYLINDER HEAD COVER	6	6	
15	11179-71C01	O RING, SPARK PLUG	4	4	
16-1	09482-00427	PLUG, SPARK (NGK,BKR6E)	4	4	
16-2	09482-00429	PLUG, SPARK (DENSO,K20PR-U)	4	4	
17	16920-86502	CAP, OIL FILLER	1	1	
18	11161-57B01	CASE, DISTRIBUTOR	1	1	
19	11162-71C01	O RING, DISTRIBUTOR CASE	1	1	
20	01550-06303	BOLT	2	2	
21	01550-06403	BOLT	1	1	
22	11191-85C00	HOSE, BREATHER	1	1	
23	11196-85C00	CLAMP	2	2	



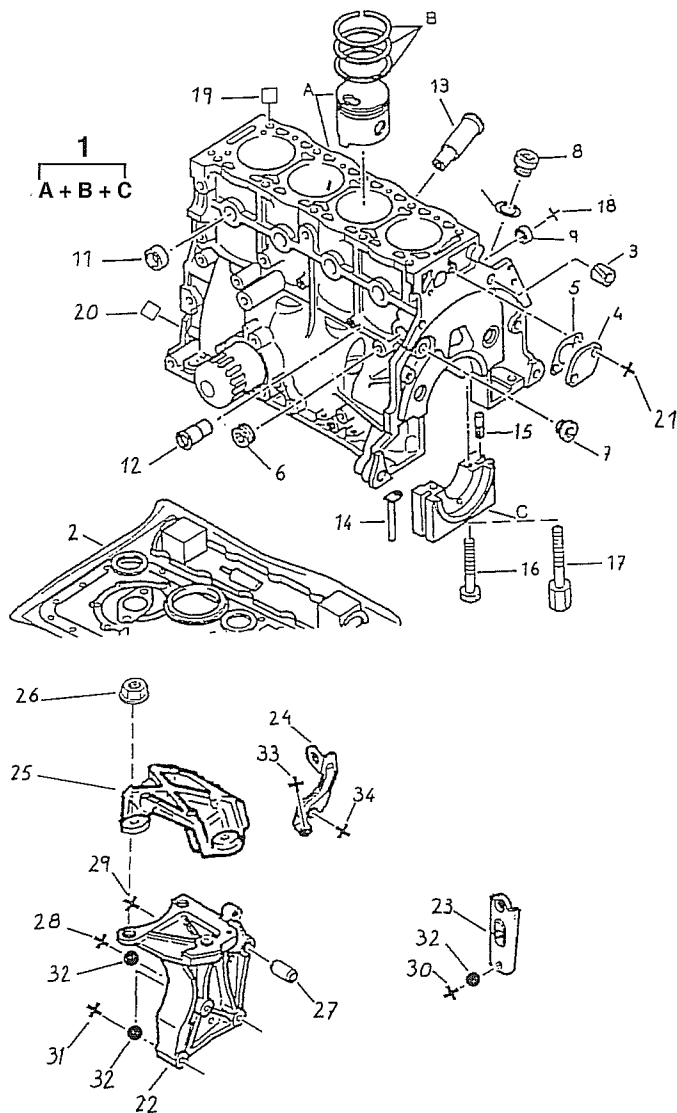
# FIG. 6



## FIG 6. CYLINDER BLOCK

REF. NO.	PART NO.	DESCRIPTION	QTY		REMARKS
			C	V	
1	11200-60A05	BLOCK ASSY, CYLINDER	1	1	
2	09241-30009	.PLUG	4	4	
3	09246-05006	.PLUG, OIL GALLERY	1	1	
4	09246-06002	.PLUG, OIL GALLERY INNER	1	1	
5	09246-06002	.PLUG, OIL GALLERY OUTER	1	1	
6	09246-08002	.PLUG, OIL GALLERY	2	2	
7	11260-60A00	.BOLT, CRANK BEARING CAP	10	10	
8	11221-60A00	.PLATE, CYLINDER BLOCK	1	1	
9	11229-85C00	.GASKET, CYLINDER BLOCK PLATE	1	1	
10	02122-06123	.SCREW	4	4	
11	01104-06256	.BOLT, TENSIONER SPRING	1	1	
12	11241-73003	STAND, OIL FILTER	1	1	
13	16510-85C00	FILTER ASSY, OIL	1	1	
14	11311-60A10	PLATE, CLUTCH HOUSING UPPER	1	1	
15	11320-57B00	PLATE, CLUTCH HOUSING LOWER	1	1	
16	01550-06123	BOLT	2	2	
17	37820-85C00	SWITCH ASSY, OIL PRESSURE	1	1	

# FIG. 6A



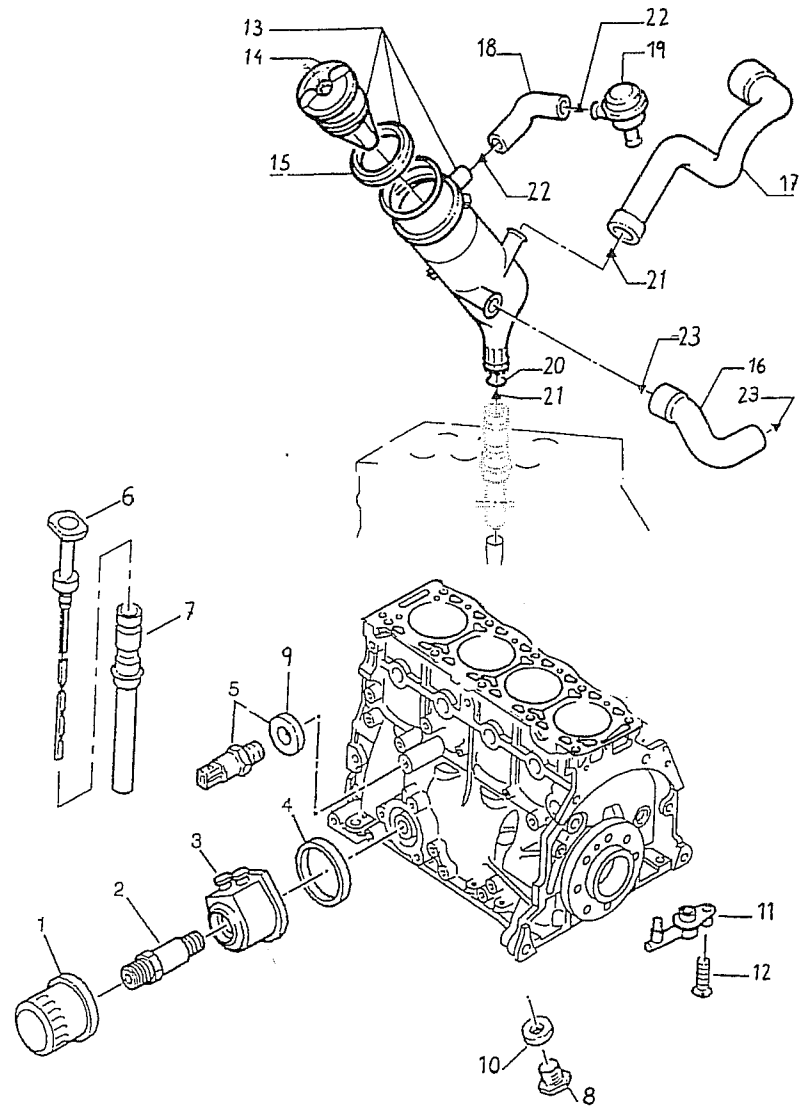
# FIG 6A. CYLINDER BLOCK 1.9 TD

REF. NO.	PART NO.	DESCRIPTION	Q' TY		REMARKS
			C	V	
1	11211-86CB0	CYLINDER BLOCK	1	1	
2	11401-86CA0	ENGINE GASKET SET	1	1	
3	M4211-86CA0	PIN	2	2	16x16
4	11122-86CA0	PLATE	1	1	
5	16527-86CA0	GASKET	1	1	
6	11223-86CA1	THREADED PLUG	1	1	15x150
7	11223-86CA0	THREADED PLUG	2	2	15x150
8	09247-86CA0	DRAIN PLUG	2	2	16x150-12
9	11228-86CA8	GASKET	1	1	12, 1x18-2 COPPE
10	11228-86CA2	GASKET	1	1	16x22-2
11-1	M9241-86CA0	PLUG	10	10	DIAMETRO 27
11-2	M9241-86CA1	PLUG	-	-	DIAMETRO 27,5
11-3	M9241-86CA2	PLUG	-	-	DIAMETRO 28,5
12	11226-86CA0	SOCKET	1	1	
13	11226-86CB0	SOCKET	1	1	
14	18480-86CB0	BEARING SEAL	2	2	
15	M4211-86CA2	PIN	2	2	5-19
16	11227-86CA0	SCREW	6	6	12x150-81
17	11227-86CA1	SCREW	4	4	12x150
18	11227-86CA2	SCREW	1	1	12x150-16
19	11225-86CA0	PIN	1	1	16x14
20	M4211-86CA1	PIN	4	4	8x17,5
21	11119-86CA0	SCREW	2	2	8x125-16
22	11650-86CB0	INT. UPPER EN. BRACKET	1	1	
23	11710-86CA0	LIFTING BRACKET	1	1	
24	11741-86CA0	LIFTING BRACKET	1	1	
25	24791-86CA0	TIMING COVER PROTEC.	1	1	
26	08316-86CA0	NUT HRDLL	3	3	M10x150
27	35337-86CB0	PIN	1	1	
28	01590-86CB0	SCREW H	1	1	6x100-8x125
29	01580-86CA0	SCREW H	1	1	
30	01570-86CB0	SCREW	1	1	M8x125-25
31	01580-86CB0	SCREW H	2	2	M8x125-45
32	09160-86CA8	SPRING WASHER	3	3	DIAM 8-22-2,5
33	01610-86CB0	SCREW HRDL	1	1	7x100-22
34	01570-86CB1	SCREW CHC	1	1	M8*125-20

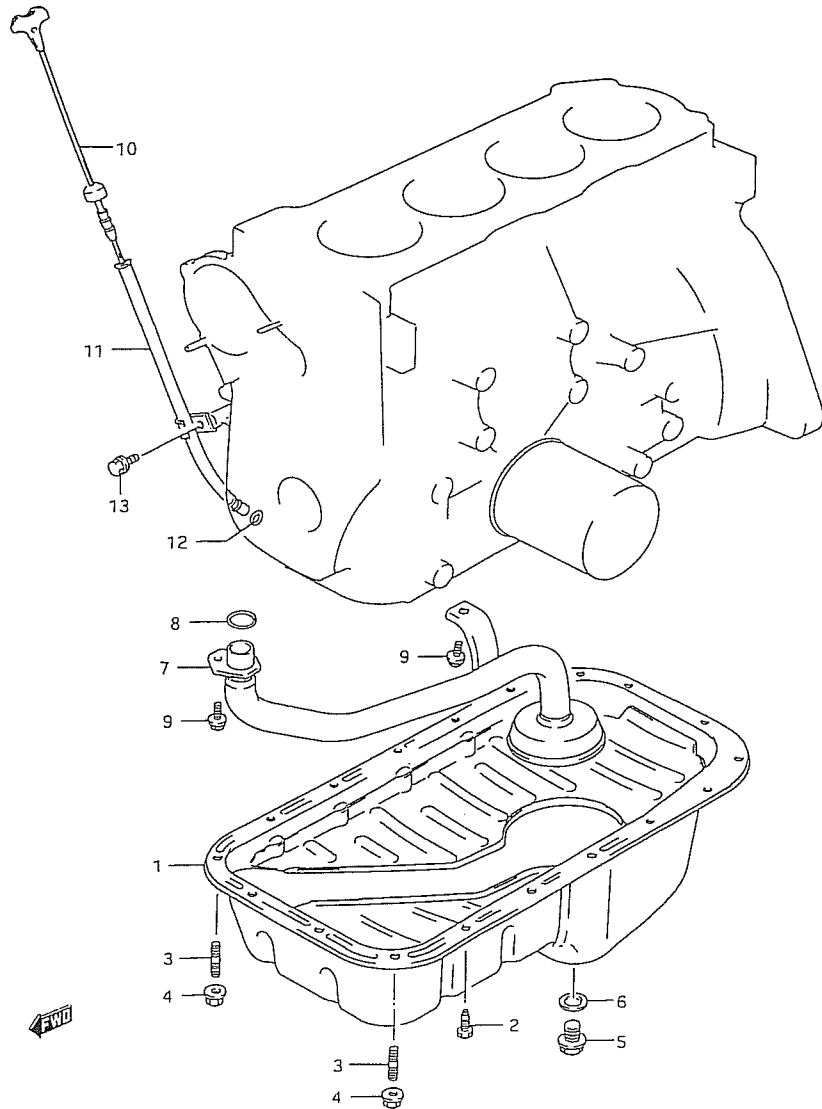
# FIG. 6B

# FIG 6B. OIL FILTER / OIL FILTER 1.9 TD

REF. NO.	PART NO.	DESCRIPTION	Q' TY		REMARKS
			C	V	
1	16510-86CA0	OIL FILTER	1	1	LS867B
2	M1421-86CA4	STUD	1	1	LONGITUD 70
3	16520-86CA0	OIL COOLER	1	1	
4	11228-86CA4	OIL COOLER SEAL	1	1	66,8x73,66x3,43
5	37820-86CA0	PRESSURE SWITCH	1	1	16x150
6	16910-86CA0	OIL DIPSTICK	1	1	
7	16930-86CA0	OIL DIPSTICK GUIDE	1	1	
8	09247-86CB0	DRAIN PLUG	1	1	14x125
9	11228-86CA2	GASKET	2	2	16x22-2
10	09168-86CA0	GASKET	1	1	14x21-2
11	15312-86CB1	OIL NOZZLE	4	4	
12	15893-86CB0	SCREW	4	4	
13	16920-86CA0	OIL FILLER	1	1	
14	11226-86CA3	PLUG	1	1	
15	11228-86CA9	GASKET	1	1	DIAMETRO 57x69
16	17876-86CB0	UNION	1	1	LONGITUD 85,5
17	17887-86CA0	UNION	1	1	LONGITUD 186
18	17878-86CB0	UNION	1	1	LONGITUD 74
19	15230-86CB0	REGULATOR	1	1	
20	15167-86CA0	O-RING	1	1	16,8x22,2
21	09403-86CA1	CLAMP	1	1	16 a 27
22	M9401-86CB0	CLAMP	4	4	23 a 35
23	09403-86CC0	CLAMP	2	2	30 a 45



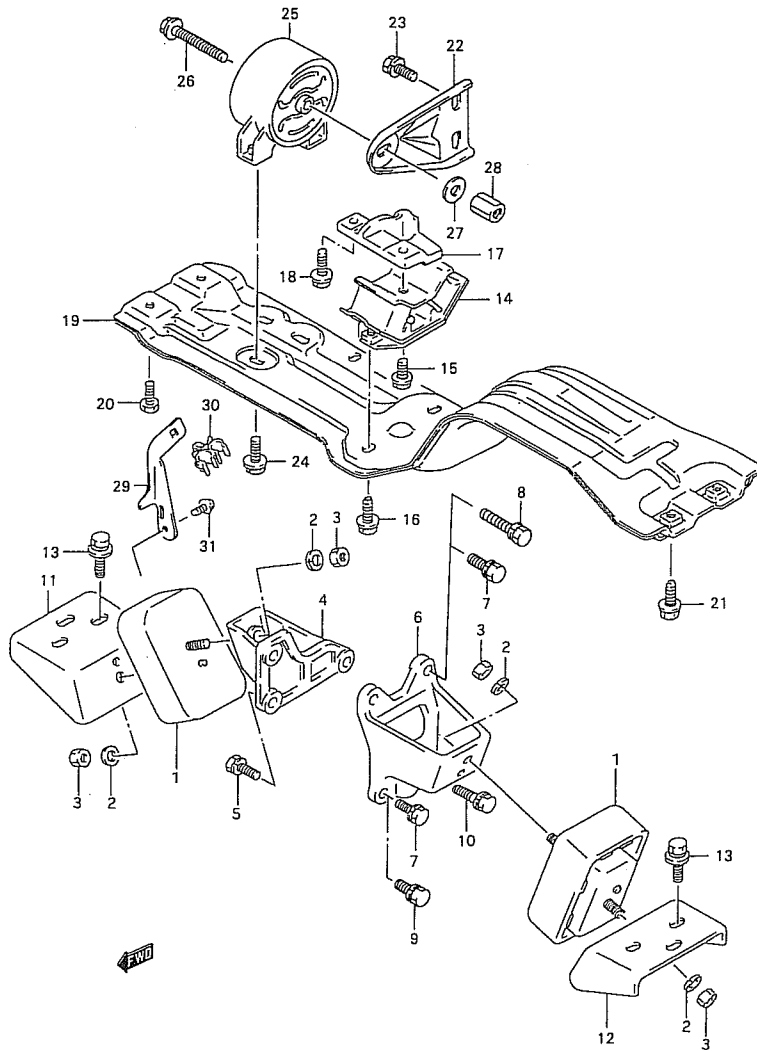
# FIG. 7



# FIG 7. OIL PAN

REF. NO.	PART NO.	DESCRIPTION	Q' TY		REMARKS
			C	V	
1	11510-60A01	PAN, OIL	1	1	
2	09117-06033	BOLT (6x12)	16	16	
3	01411-06123	STUD BOLT	2	2	
4	08316-20063	NUT	2	2	
5	09247-14027	PLUG, OIL DRAIN	1	1	
6	09168-14012	GASKET, OIL DRAIN PLUG	1	1	
7	16520-60A00	STRAINER, OIL PUMP	1	1	
8-1	09280-17005	O RING	1	1	MY97,
8-2	09280-17002	O RING	1	1	MY98,
9	07120-06123	BOLT	2	2	
10	16910-85C00	GAUGE, OIL LEVEL	1	1	
11	16930-82001	GUIDE, OIL LEVEL GAUGE	1	1	
12-1	09280-10015	O RING	1	1	MY97,
12-2	09280-10016	O RING	1	1	MY98,
13	01550-06123	BOLT	1	1	

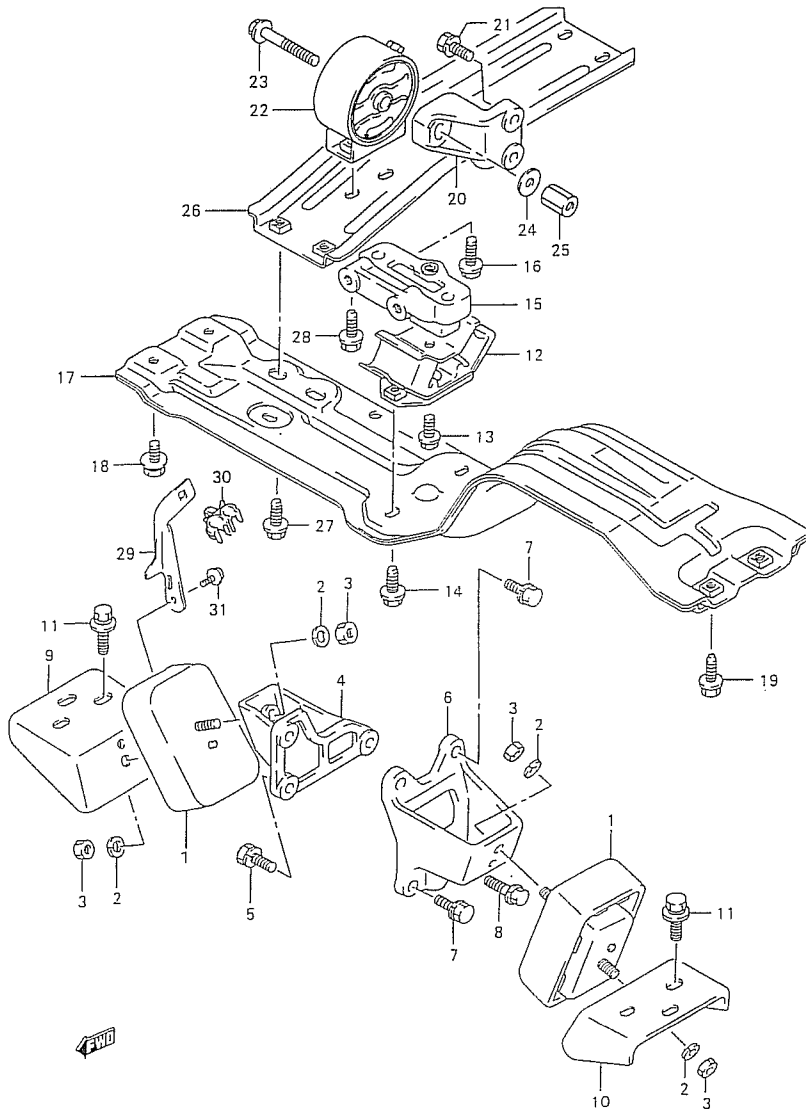
# FIG. 8



# FIG 8. ENGINE MOUNTING (MT)

REF. NO.	PART NO.	DESCRIPTION	Q' TY		REMARKS
			C	V	
1	11610-58B10	MOUNTING, ENGINE FRONT	2	2	
2-1	08321A31103	LOCK WASHER	4	4	PETROL
2-2	08322-01083	LOCK WASHER	4	4	1.9TD.SEE SERVICE BULLETI
3-1	08310-00103	NUT	4	4	PETROL
3-2	09159-86CA0	NUT	4	4	1.9TD.SEE SERVICE BULLETI
4-1	11641-56B02	BRACKET, FRONT MOUNTING RH	1	1	PETROL
4-2	11641-86CB1	BRACKET, FRONT MOUNTING RH	1	1	1.9TD.SEE SERVICE BULLETI
5-1	01500-10303	BOLT	3	3	PETROL
5-2	00069-86CA0	BOLT	3	3	1.9TD.SEE SERVICE BULLETI
6	11651-85C00	BRACKET, FRONT MOUNTING LH	1	1	
7	01500-10303	BOLT	3	3	W/FUEL INJECTION
8	01570-10353	BOLT AND WASHER	2	2	W/CARBURETOR
9	01500-10303	BOLT	1	1	W/CARBURETOR
10	01500-10403	BOLT	1	1	
11	11661-56B00	BRACKET, FR. MOUNTING SIDE R/H	1	1	
12	11661-57B00	BRACKET, FR. MOUNTING SIDE L/H	1	1	
13	09118-10052	BOLT (10X30)	6	6	
14	11710-85C00	MOUNTING, ENGINE REAR	1	1	
15	01560-10203	BOLT	1	1	
16	01560-10163	BOLT	2	2	
17	11741-60A01	BRACKET, REAR MOUNTING	1	1	
18	01560-10303	BOLT	2	2	
19	11730-58B23	MEMBER, REAR MOUNTING	1	1	
20	01500-10253	BOLT	2	2	
21	01500-10253	BOLT	2	2	
22	11755-60A01	BRACKET, TORQUE STOPPER	1	1	
23	01560-10203	BOLT	2	2	
24	01560-10163	BOLT	3	3	
25	11910-85C00	BUSH, TORQUE STOPPER	1	1	
26	01560-10803	BOLT	1	1	
27	09160-10119	WASHER (10.5X22X1.6)	1	1	
28	09140-10040	NUT	1	1	
29	18568-56B01	BRACKET, CANISTER HOSE CLAMP	1	1	
30	18119-85C30	CLAMP	1	1	
31	01550-06123	BOLT	1	1	

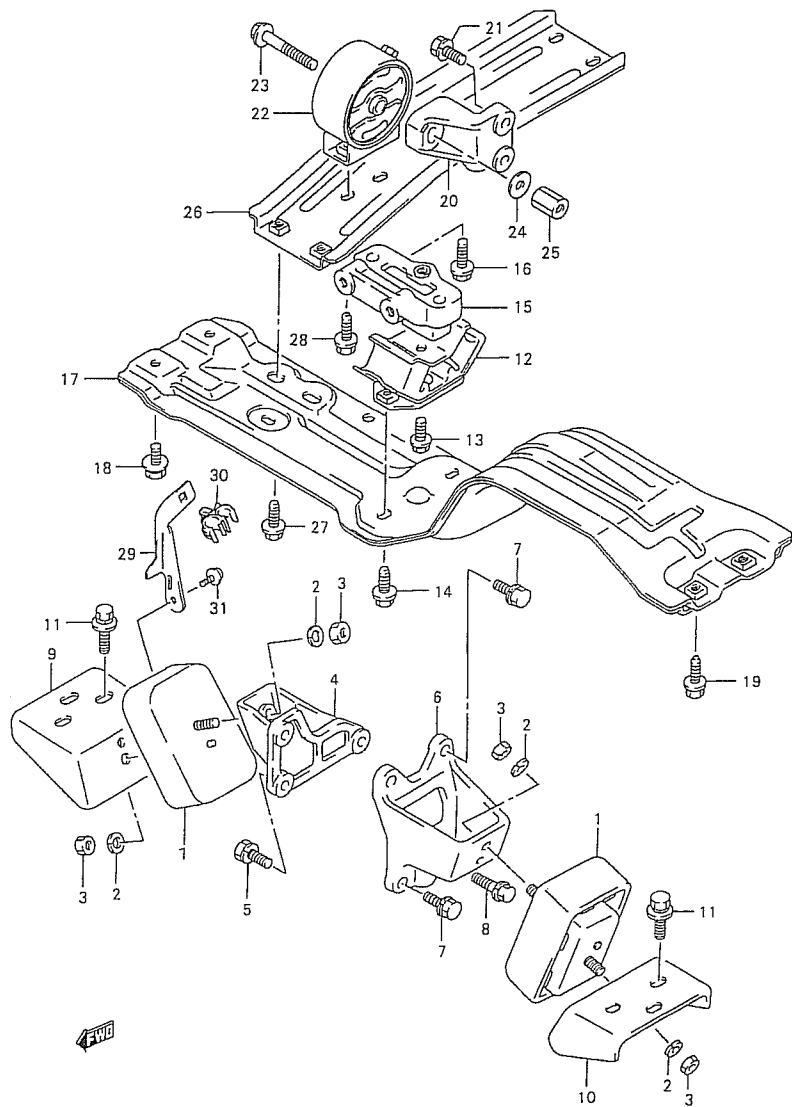
# FIG. 9



## FIG 9. ENGINE MOUNTING (3DR:AT)

REF. NO.	PART NO.	DESCRIPTION	C	Q' TY	V	REMARKS
1	11610-58B10	MOUNTING, ENGINE FRONT	2	2		
2	08321A31103	LOCK WASHER	4	4		
3	08310-00103	NUT	4	4		
4	11641-56B02	BRACKET, FRONT MOUNTING RH	1	1		
5	01500-10303	BOLT	3	3		
6	11651-85C00	BRACKET, FRONT MOUNTING LH	1	1		
7	01500-10303	BOLT	3	3		
8	01500-10403	BOLT	1	1		
9	11661-56B00	BRACKET, FRONT MOUNTING SIDE	1	1		
10	11661-57B00	BRACKET, FRONT MOUNTING SIDE	1	1		
11	09118-10052	BOLT (10X30)	6	6		
12	11710-85C00	MOUNTING, ENGINE REAR	1	1		
13	01560-10203	BOLT	1	1		
14	01560-10163	BOLT	2	2		
15	11741-57B02	BRACKET, REAR MOUNTING	1	1		
16	01560-10403	BOLT	2	2		
17	11707-57B11	MEMBER, REAR MOUNTING	1	1		
18	01500-10253	BOLT	2	2		
19	01500-10253	BOLT	2	2		
20	11755-57B01	BRACKET, TORQUE STOPPER	1	1		
21	01560-10303	BOLT	2	2		
22	11910-57B01	BUSH, TORQUE STOPPER	1	1		
23	01560-10803	BOLT	1	1		
24	09160-10119	WASHER (10.5X22X1.6)	1	1		
25	09140-10040	NUT	1	1		
26	11761-57B10	MEMBER, TORQUE STOPPER	1	1		
27	01500-10253	BOLT	4	4		
28	01560-10163	BOLT	2	2		
29	18568-56B01	BRACKET, CANISTER HOSE CLAMP	1	1		
30	18119-85C30	CLAMP	1	1		
31	01550-06123	BOLT	1	1		

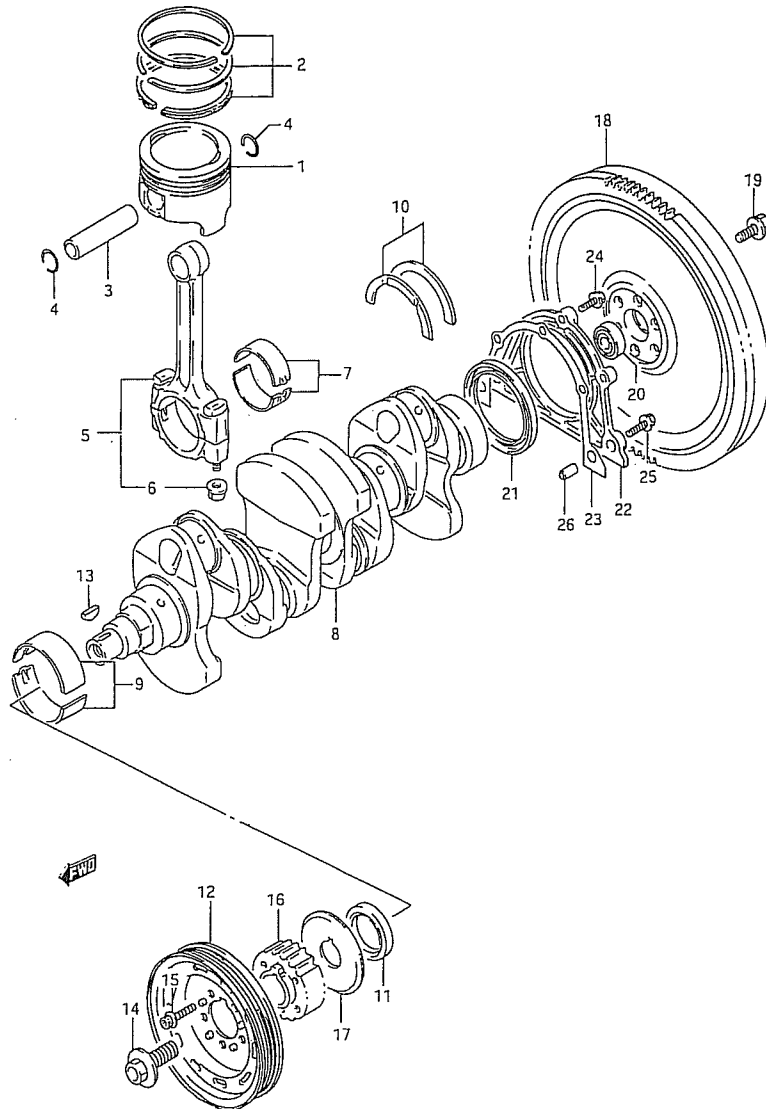
# FIG. 10



# FIG 10. ENGINE MOUNTING (5DR:AT)

REF. NO.	PART NO.	DESCRIPTION	Q' TY		REMARKS
			C	V	
1	11610-58B10	MOUNTING, ENGINE FRONT		2	
2	08321A31103	LOCK WASHER		4	
3	08310-00103	NUT		4	
4	11641-56B02	BRACKET, FRONT MOUNTING RH		1	
5	01500-10303	BOLT		3	
6	11651-85C00	BRACKET, FRONT MOUNTING LH		1	
7	01500-10303	BOLT		3	
8	01500-10403	BOLT		1	
9	11661-56B00	BRACKET, FRONT MOUNTING SIDE		1	
10	11661-57B00	BRACKET, FRONT MOUNTING SIDE		1	
11	09118-10052	BOLT (10X30)		6	
12	11710-85C00	MOUNTING, ENGINE REAR		1	
13	01560-10203	BOLT		1	
14	01560-10163	BOLT		2	
15	11741-57B02	BRACKET, REAR MOUNTING		1	
16	01560-10403	BOLT		2	
17	11707-57B01	MEMBER, REAR MOUNTING		1	
18	01500-10253	BOLT		2	
19	01500-10253	BOLT		2	
20	11755-57B01	BRACKET, TORQUE STOPPER		1	
21	01560-10303	BOLT		2	
22	11910-57B01	BUSH, TORQUE STOPPER		1	
23	01560-10803	BOLT		1	
24	09160-10119	WASHER (10.5X22X1.6)		1	
25	09140-10040	NUT		1	
26	11761-57B00	MEMBER, TORQUE STOPPER		1	
27	01500-10253	BOLT		4	
28	01560-10163	BOLT		2	
29	18568-56B01	BRACKET, CANISTER HOSE CLAMP		1	
30	18119-85C30	CLAMP		1	
31	01550-06123	BOLT		1	

# FIG. 11

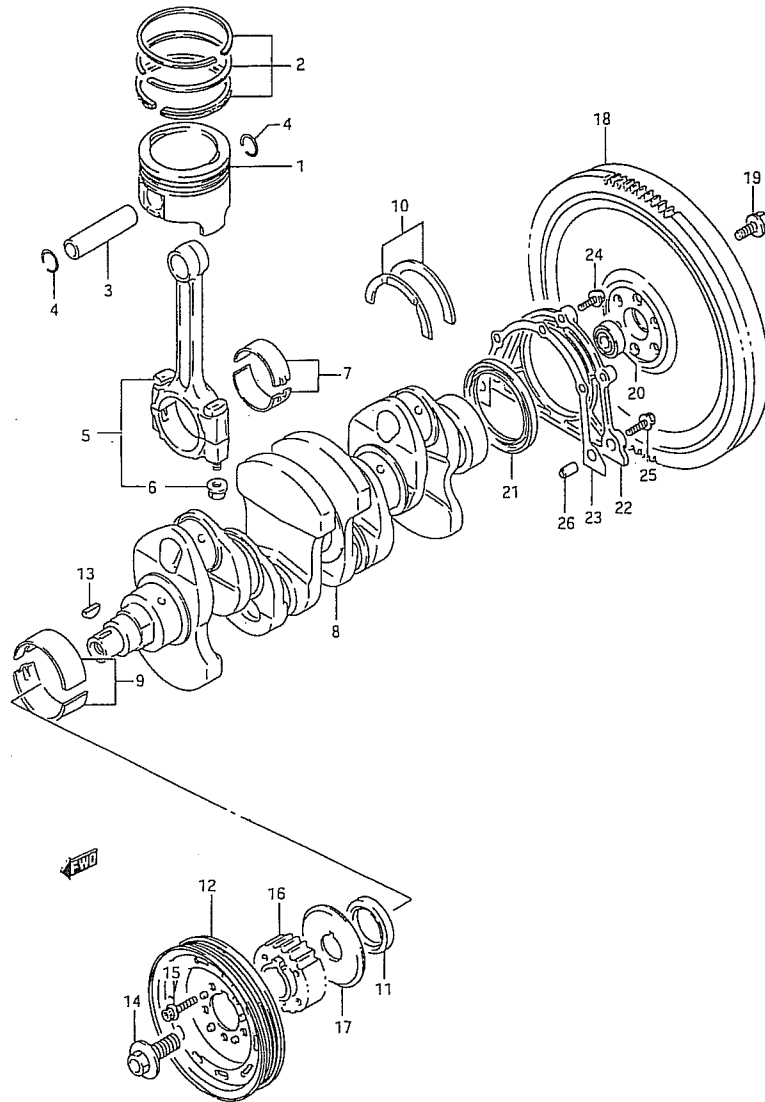


## FIG 11. CRANKSHAFT (2 VALVE)

REF. NO.	PART NO.	DESCRIPTION	Q' TY		REMARKS
			C	V	
1-1	12111-85C00-0A	PISTON (STD, MARK 1)	4	4	
1-2	12111-85C00-0B	PISTON (STD, MARK 2)	4	4	
1-3	12111-60A02-02	PISTON (OS:0.25)	4	4	
1-4	12111-60A02-05	PISTON (OS:0.5)	4	4	
2-1	12140-60A50	RING SET, PISTON (STD)	4	4	
2-2	12140-60A50-02	RING SET, PISTON (OS:0.25)	4	4	
2-3	12140-60A50-05	RING SET, PISTON (OS:0.5)	4	4	
3	12151-85C00	PIN, PISTON	4	4	
4	12153-85C00	CIRCLIP	8	8	
5	12160-71C10	CONNROD ASSY	4	4	
6	09159-08033	.NUT	8	8	
7-1	12100-60821-0A	BEARING SET, CONNROD	4	4	(STD, T:1.5)
7-2	12100-60821-02	BEARING SET, CONNROD	4	4	(US:0.25, T:1.625)
8	12221-71C10	CRANKSHAFT	1	1	
9-1	12340-85C00-0A	BEARING SET, CRANKSHAFT	5	5	(STD, T:2, GREEN)
9-2	12340-85C00-0B	BEARING SET, CRANKSHAFT	5	5	(STD, T:2, BLACK)
9-3	12340-85C00-0C	BEARING SET, CRANKSHAFT	5	5	(STD, T:2, NON)
9-4	12340-85C00-0D	BEARING SET, CRANKSHAFT	5	5	(STD, T:2, YELLOW)
9-5	12340-85C00-0E	BEARING SET, CRANKSHAFT	5	5	(STD, T:2, BLUE)
9-6	12300-60810-0A	BEARING SET, CRANKSHAFT	5	5	(US:0.25, T:2.125, RED/GREE)
9-7	12300-60810-0B	BEARING SET, CRANKSHAFT	5	5	(US:0.25, T:2.125, RED/BLAC)
9-8	12300-60810-0C	BEARING SET, CRANKSHAFT	5	5	(US:0.25, T:2.125, RED/NON)
9-9	12300-60810-0D	BEARING SET, CRANKSHAFT	5	5	(US:0.25, T:2.125, RED/YELL)
9-10	12300-60810-0E	BEARING SET, CRANKSHAFT	5	5	(US:0.25, T:2.125, RED/BLUE)
10-1	12300-60820	BEARING SET, CRANK THRUST	1	1	(STD, T:2.5)
10-2	12300-60820-01	BEARING SET, CRANK THRUST	1	1	(OS:0.125, T:2.563)
11	09283-32040	SEAL, FRONT OIL (32X47X6)	1	1	
12	12610-61G00	PULLEY, CRANKSHAFT	1	1	
13	08341-31059	KEY	1	1	
14	12619-85C01	BOLT	1	1	
15	09103-06185	BOLT (6X20)	5	5	
16	12631-86500	PULLEY, CRANK TIMING BELT	1	1	
17	12635-78401	GUIDE, TIMING BELT	1	1	
18	12620-85C00	FLYWHEEL	1	1	
19	09103-10200	BOLT	6	6	
20	12623-60A00	BEARING, INPUT SHAFT	1	1	



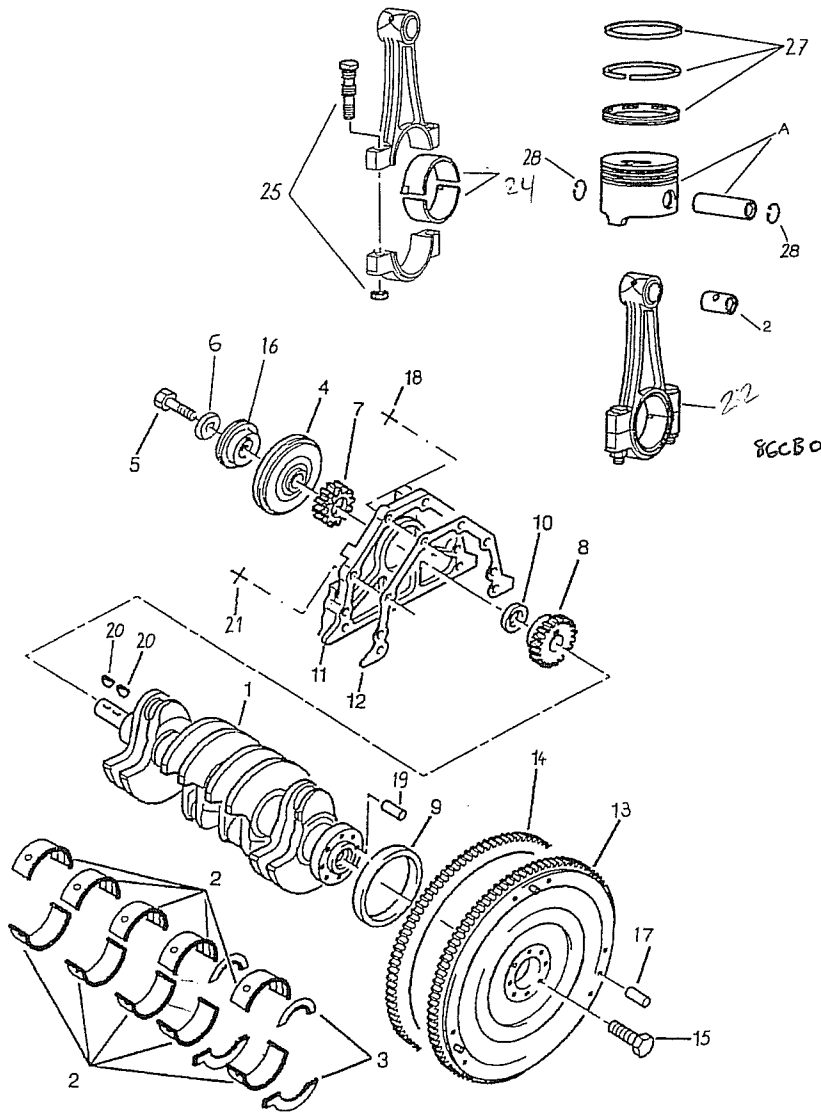
# FIG. 11



## FIG 11. CRANKSHAFT (2 VALVE)

REF. NO.	PART NO.	DESCRIPTION	Q' TY		REMARKS
			C	V	
21	09283-68002	SEAL, REAR OIL (68X86X8)	1	1	
22	11341-82000	HOUSING, OIL SEAL	1	1	
23	11349-85C00	GASKET, OIL SEAL HOUSING	1	1	
24	01550-06203	BOLT	3	3	
25	01550-06253	BOLT	2	2	
26	04211A09109	PIN	2	2	

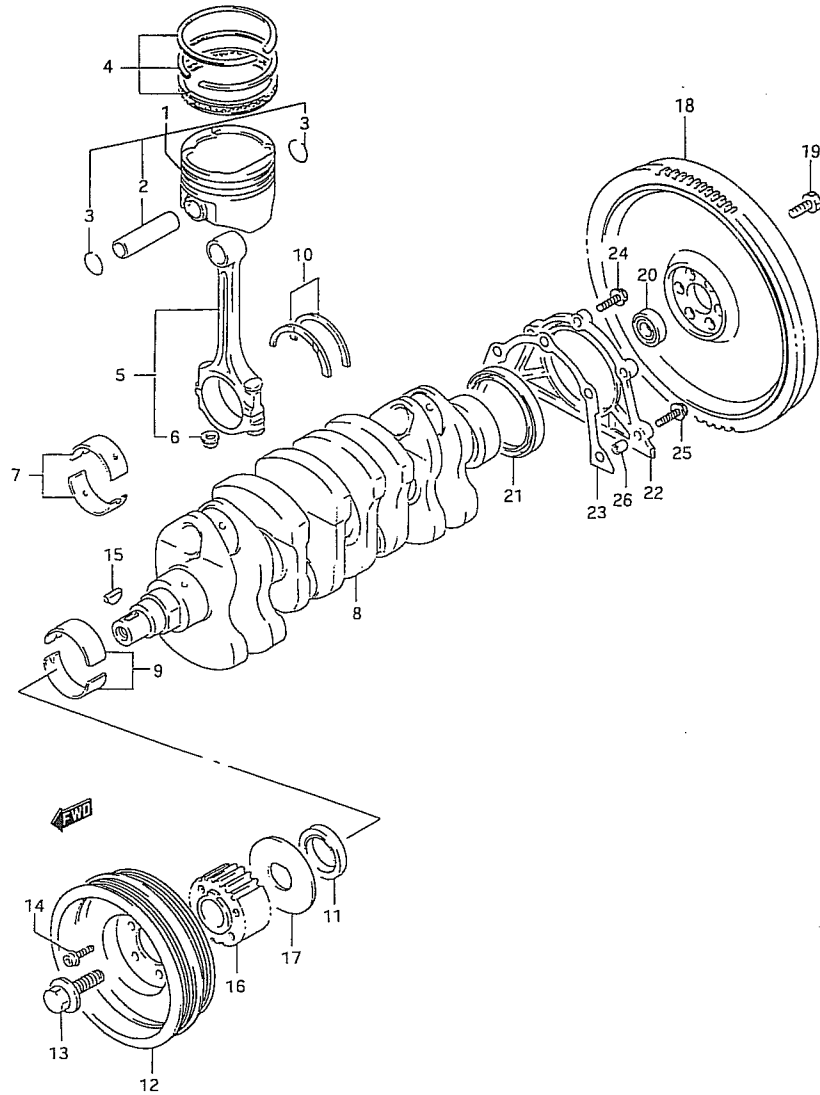
# FIG. 11A



## FIG 11A. CRANKSHAFT 1.9 TD

REF. NO.	PART NO.	DESCRIPTION	Q' TY		REMARKS
			C	V	
1	12221-86CA0	CRANKSHAFT	1	1	
2-1	12340-86CA0	SET OF 10 HALF BEARING	1	1	CN
2-2	12340-86CA1	SET OF 10 HALF BEARING	-	-	1ST REPAIRING
3-1	12351-86CA0	SET OF 2 HALF FLANGES	2	2	CN
3-2	12351-86CA1	SET OF 2 HALF FLANGES	-	-	1ST REP.+0,10
3-3	12351-86CA2	SET OF 2 HALF FLANGES	-	-	2ND REP.+0,15
3-4	12351-86CA3	SET OF 2 HALF FLANGES	-	-	3RD REP.+0,20
4	12610-86CA0	PULLEY CRANKSHAFT	1	1	
5	12636-86CA0	PULLEY SCREW	1	1	14x150-70
6	12633-86CA0	WASHER	1	1	
7	12631-86CA0	GEAR	1	1	21 PRONGS
8	12632-86CB0	OIL PUMP GEAR	1	1	26 PRONGS
9	11314-86CA1	BEARING SEAL	1	1	90x110-7
10	11228-86CA3	GASKET	1	1	42x62-7
11	11312-86CA0	PLATE	1	1	
12	11313-86CA0	GASKET	1	1	
13	12621-86CA0	FLYWHEEL	1	1	SM4103
14	12622-86CA0	FLYWHEEL GEAR	1	1	
15	12625-86CB0	FLYWHEEL SCREW	8	8	9x100-22
16	11031-86CA0	PULLEY	1	1	
17	M4221-86CB1	PIN	3	3	6x17
18	11119-86CA1	SCREW HRDL	2	2	7x100-25
19	M4211-86CA1	PIN	3	3	8x17,5
20	12230-86CA0	KEY	2	2	13x6-7
21	11119-86CA2	SCREW HRDL	4	4	7x100-40
22	12160-86CB0	SET OF 4 CON.RODS	1	1	
23	12162-86CB0	BUSH	4	4	
24-1	12180-86CA0	SET OF 8 HALF BEARING	1	1	CN
24-2	12180-86CA1	SET OF 8 HALF BEARING	1	1	1ST REPAIR.0.30
25	09159-86CA0	CONNECTING ROD BOLT	8	8	
26-1	12111-86CB0	SET OF 4 PISTONS	1	1	CN
26-2	12111-86CB1	SET OF 4 PISTONS	1	1	
26-3	12111-86CB2	SET OF 4 PISTONS	1	1	
26-4	12111-86CB3	SET OF 4 PISTONS	1	1	
27-1	12140-86CB0	SET OF 3 PISTONS RING	4	4	CN
27-2	12140-86CB1	SET OF 3 PISTONS RING	1	1	
27-3	12140-86CB2	SET OF 3 PISTONS RING	1	1	
27-4	12140-86CB3	SET OF 3 PISTONS RING	1	1	
28	12161-86CB0	RETAINING PIN	8	8	28.5x26.5-1.7

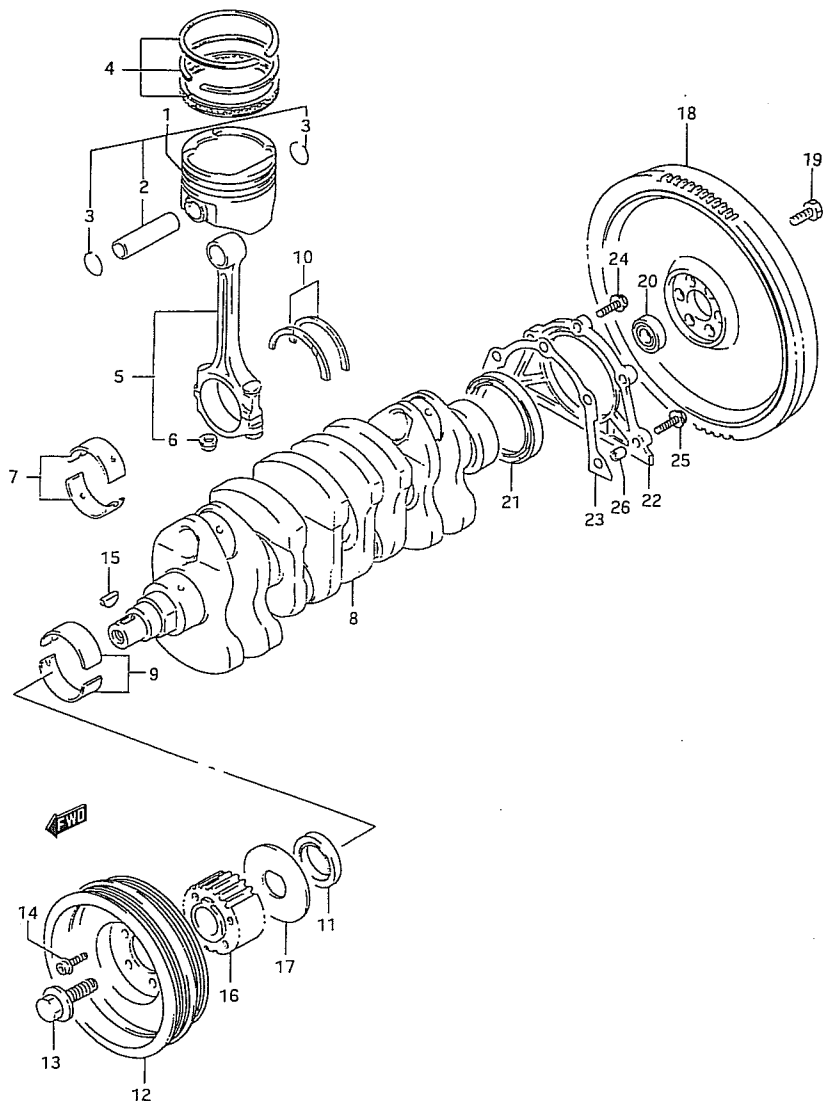
# FIG. 12



## FIG 12. CRANKSHAFT (4 VALVE)

REF. NO.	PART NO.	DESCRIPTION	C	Q' TY	V	REMARKS
1-1	12100-71820-0A	PISTON SET (STD, MARK 1)	4		4	
1-2	12100-71820-0B	PISTON SET (STD, MARK 2)	4		4	
1-3	12100-71820-02	PISTON SET (OS:0.25)	4		4	
1-4	12100-71820-05	PISTON SET (OS:0.5)	4		4	
2	12151-85C00	.PIN, PISTON	4		4	
3	12153-85C00	.CIRCLIP	8		8	
4-1	12140-60A50	RING SET, PISTON (STD)	4		4	
4-2	12140-60A50-02	RING SET, PISTON (OS:0.25)	4		4	
4-3	12140-60A50-05	RING SET, PISTON (OS:0.5)	4		4	
5	12160-71C10	CONNROD ASSY	4		4	
6	09159-08033	.NUT	8		8	
7-1	12100-60821-0A	BEARING SET, CONNROD	4		4	(STD, T:1.5)
7-2	12100-60821-02	BEARING SET, CONNROD	4		4	(US:0.25, T:1.625)
8	12221-71C10	CRANKSHAFT	1		1	
9-1	12340-85C00-0A	BEARING SET, CRANKSHAFT	5		5	(STD, T:2, GREEN)
9-2	12340-85C00-0B	BEARING SET, CRANKSHAFT	5		5	(STD, T:2, BLACK)
9-3	12340-85C00-0C	BEARING SET, CRANKSHAFT	5		5	(STD, T:2, NON)
9-4	12340-85C00-0D	BEARING SET, CRANKSHAFT	5		5	(STD, T:2, YELLOW)
9-5	12340-85C00-0E	BEARING SET, CRANKSHAFT	5		5	(STD, T:2, BLUE)
9-6	12300-60810-0A	BEARING SET, CRANKSHAFT	5		5	(US:0.25, T:2.125, RED/ GREE)
9-7	12300-60810-0B	BEARING SET, CRANKSHAFT	5		5	(US:0.25, T:2.125, RED/ BLAC)
9-8	12300-60810-0C	BEARING SET, CRANKSHAFT	5		5	(US:0.25, T:2.125, RED/ NON)
9-9	12300-60810-0D	BEARING SET, CRANKSHAFT	5		5	(US:0.25, T:2.125, RED/ YELL)
9-10	12300-60810-0E	BEARING SET, CRANKSHAFT	5		5	(US:0.25, T:2.125, RED/ BLUE)
10-1	12300-60820	BEARING SET, CRANK THRUST	1		1	(STD, T:2.5)
10-2	12300-60820-01	BEARING SET, CRANK THRUST	1		1	(OS:0.125, T:2.563)
11	09283-32040	SEAL, FRONT OIL	1		1	
12	12610-61G00	PULLEY, CRANKSHAFT	1		1	
13	12619-53B01	BOLT, CRANK PULLEY	1		1	
14	09103-06185	BOLT (6X20)	5		5	
15	08341-31059	KEY	1		1	
16	12631-53B00	PULLEY, CRANK TIMING BELT	1		1	
17	12635-78401	GUIDE, TIMING BELT	1		1	
18	12620-85C00	FLYWHEEL	1		1	MT
19	09103-10200	BOLT (10X18.5)	6		6	MT
20	12623-60A00	BEARING, INPUT SHAFT	1		1	MT

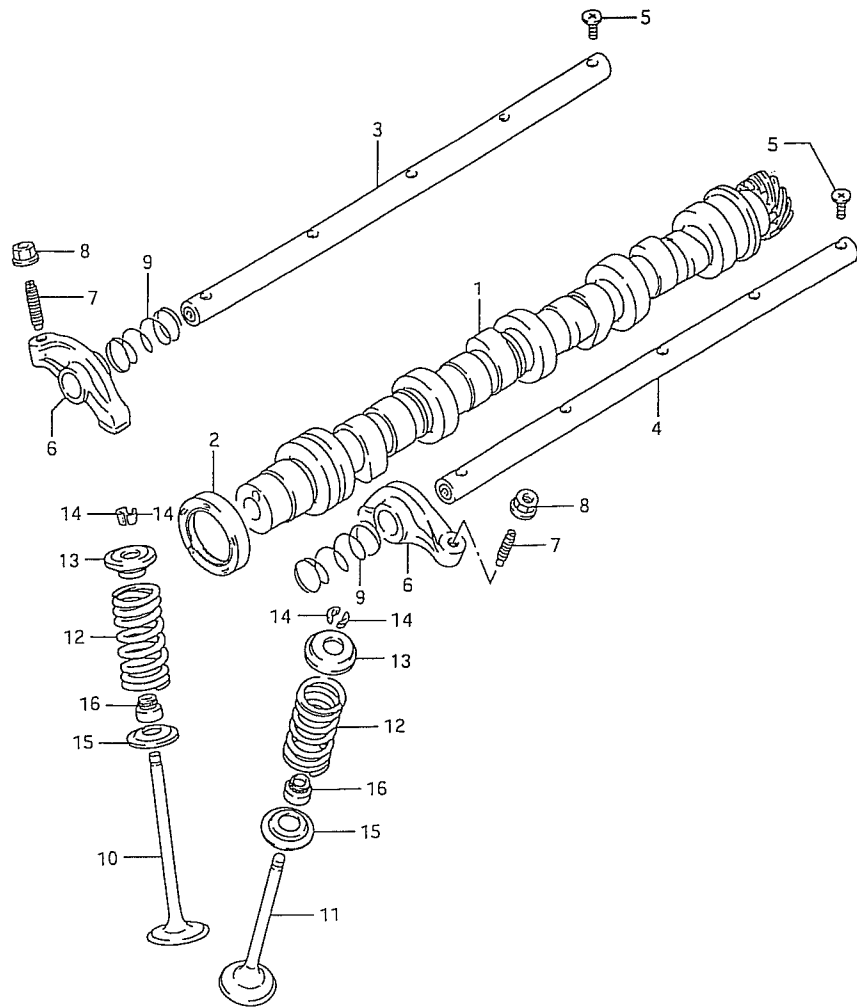
# FIG. 12



## FIG 12. CRANKSHAFT (4 VALVE)

REF. NO.	PART NO.	DESCRIPTION	Q' TY		REMARKS
			C	V	
21	09283-68002	SEAL, REAR OIL	1	1	
22	11341-82000	HOUSING, OIL SEAL	1	1	
23	11349-85C00	GASKET, OIL SEAL HOUSING	1	1	
24	01550-06203	BOLT	3	3	
25	01550-06253	BOLT	2	2	
26	04211A09109	PIN	2	2	

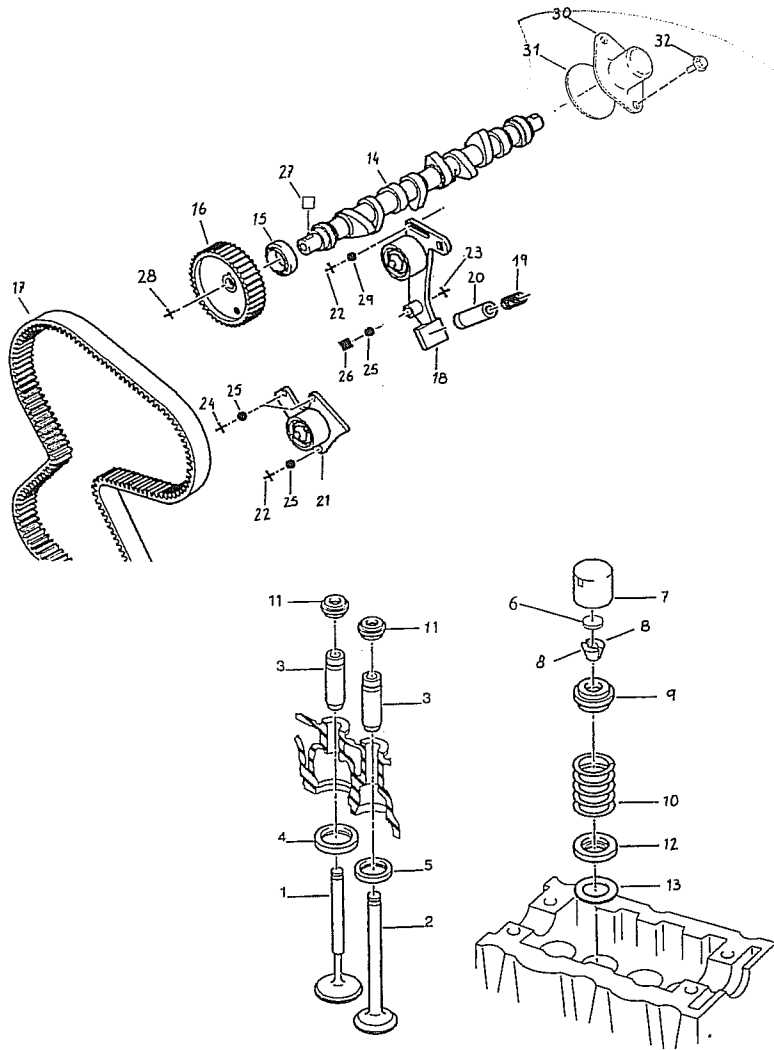
# FIG. 13



## FIG 13. CAM SHAFT (2 VALVE)

REF. NO.	PART NO.	DESCRIPTION	Q' TY		REMARKS
			C	V	
1-1	12710-56B11	CAMSHAFT	1	1	W/FUEL INJECTION
1-2	12710-60A01	CAMSHAFT	1	1	W/CARBURETOR
2	09283-32040	SEAL, CAMSHAFT OIL (32X47X6)	1	1	
3	12860-85C00	SHAFT, INTAKE ROCKER ARM	1	1	
4	12870-85C00	SHAFT, EXHAUST ROCKER ARM	1	1	
5	02122-06123	SCREW	10	10	
6	12841-60A01	ARM, VALVE ROCKER	8	8	
7	12848-85C00	SCREW, VALVE ADJUSTING	8	8	
8	12849-85C00	NUT	8	8	
9	12891-82001	SPRING, ROCKER ARM	8	8	
10	12911-60A10	VALVE, INTAKE	4	4	
11	12915-60A50	VALVE, EXHAUST	4	4	
12	12921-85C00	SPRING, VALVE	8	8	
13	12931-85C00	RETAINER, COTTER VALVE	8	8	
14	12932-82000	COTTER, VALVE	16	16	
15	12933-73000	SEAT, VALVE SPRING	8	8	
16	12934-85C00	SEAL, VALVE STEM	8	8	

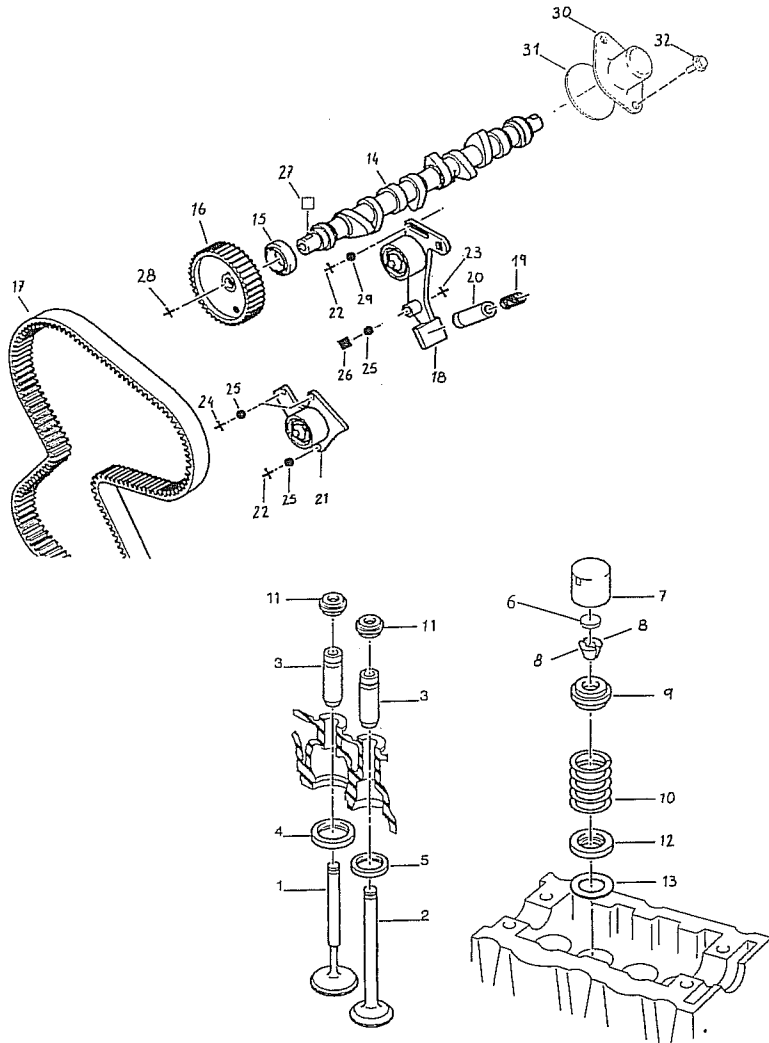
# FIG. 13A



# FIG 13A. CAM SHAFT 1.9 TD

REF. NO.	PART NO.	DESCRIPTION	Q' TY		REMARKS
			C	V	
1	12911-86CA0	INTAKE VALVE	4	4	
2	12915-86CA0	EXHAUST VALVE	4	4	
3-1	12919-86CA0	VALVE GUIDE	8	8	1ST REPAIRING
3-2	12919-86CA1	VALVE GUIDE	-	-	2ND REPAIRING
4	12910-86CB0	INLET VAL.SEAT	4	4	
5	12914-86CB0	OUTLET VAL.SEAT	4	4	
6-1	12892-86CA1-65	INSERT	8	8	1,650
6-2	12892-86CA1-72	INSERT	-	-	1,725
6-3	12892-86CA1-80	INSERT	-	-	1,800
6-4	12892-86CA1-90	INSERT	-	-	1,900
6-5	12892-86CA1-97	INSERT	-	-	1,975
6-6	12892-86CA2-05	INSERT	-	-	2,050
6-7	12892-86CA2-12	INSERT	-	-	2,125
6-8	12892-86CA2-22	INSERT	-	-	2,225
6-9	12892-86CA2-25	INSERT	-	-	2,250
6-10	12892-86CA2-27	INSERT	-	-	2,275
6-11	12892-86CA2-30	INSERT	-	-	2,300
6-12	12892-86CA2-32	INSERT	-	-	2,325
6-13	12892-86CA2-35	INSERT	-	-	2,350
6-14	12892-86CA2-37	INSERT	-	-	2,375
6-15	12892-86CA2-40	INSERT	-	-	2,400
6-16	12892-86CA2-42	INSERT	-	-	2,425
6-17	12892-86CA2-45	INSERT	-	-	2,450
6-18	12892-86CA2-47	INSERT	-	-	2,475
6-19	12892-86CA2-50	INSERT	-	-	2,500
6-20	12892-86CA2-52	INSERT	-	-	2,525
6-21	12892-86CA2-55	INSERT	-	-	2,550
6-22	12892-86CA2-57	INSERT	-	-	2,575
6-23	12892-86CA2-60	INSERT	-	-	2,600
6-24	12892-86CA2-62	INSERT	-	-	2,625
6-25	12892-86CA2-65	INSERT	-	-	2,650
6-26	12892-86CA2-67	INSERT	-	-	2,675
6-27	12892-86CA2-70	INSERT	-	-	2,700
6-28	12892-86CA2-72	INSERT	-	-	2,725
6-29	12892-86CA2-75	INSERT	-	-	2,750
6-30	12892-86CA2-77	INSERT	-	-	2,775
6-31	12892-86CA2-80	INSERT	-	-	2,800
6-32	12892-86CA2-82	INSERT	-	-	2,825
6-33	12892-86CA2-85	INSERT	-	-	2,850
6-34	12892-86CA2-87	INSERT	-	-	2,875
6-35	12892-86CA2-90	INSERT	-	-	2,900

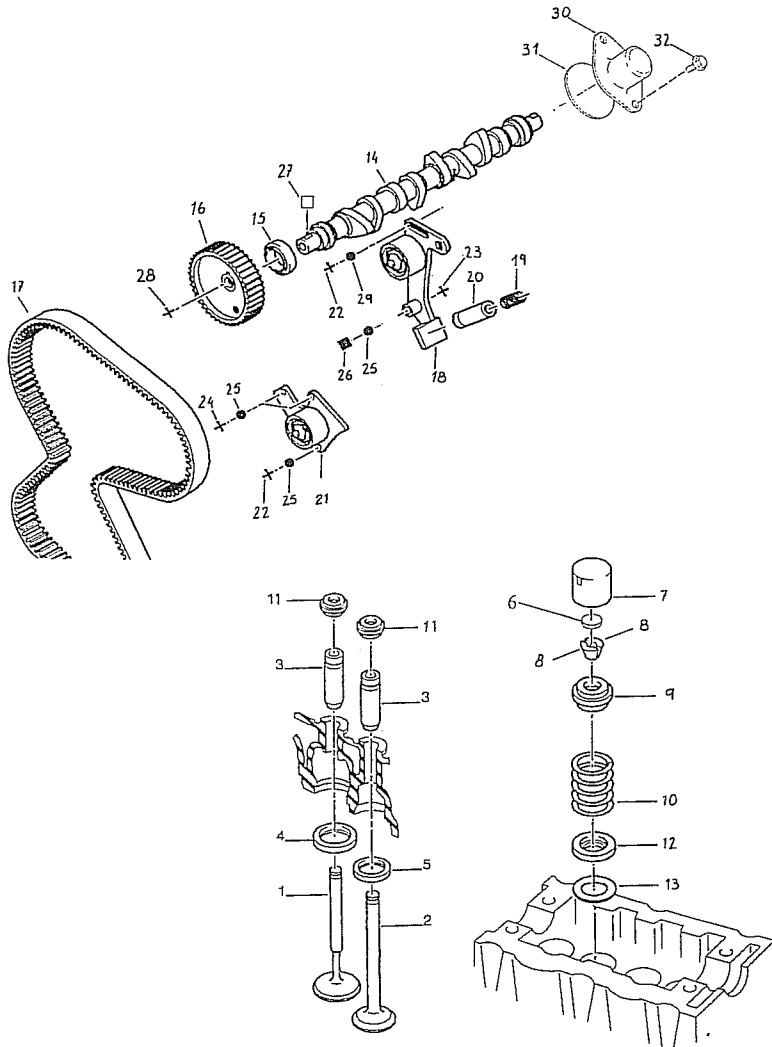
# FIG. 13A



# FIG 13A. CAM SHAFT 1.9 TD

REF. NO.	PART NO.	DESCRIPTION	QTY		REMARKS
			C	V	
6-36	12892-86CA2-92	INSERT	-	-	2,925
6-37	12892-86CA2-95	INSERT	-	-	2,950
6-38	12892-86CA2-97	INSERT	-	-	2,975
6-39	12892-86CA3-00	INSERT	-	-	3,000
6-40	12892-86CA3-02	INSERT	-	-	3,025
6-41	12892-86CA3-05	INSERT	-	-	3,050
6-42	12892-86CA3-07	INSERT	-	-	3,075
6-43	12892-86CA3-10	INSERT	-	-	3,100
6-44	12892-86CA3-12	INSERT	-	-	3,125
6-45	12892-86CA3-15	INSERT	-	-	3,150
6-46	12892-86CA3-17	INSERT	-	-	3,175
6-47	12892-86CA3-20	INSERT	-	-	3,200
6-48	12892-86CA3-22	INSERT	-	-	3,225
6-49	12892-86CA3-25	INSERT	-	-	3,250
6-50	12892-86CA3-27	INSERT	-	-	3,275
6-51	12892-86CA3-30	INSERT	-	-	3,300
6-52	12892-86CA3-32	INSERT	-	-	3,325
6-53	12892-86CA3-35	INSERT	-	-	3,350
6-54	12892-86CA3-37	INSERT	-	-	3,375
6-55	12892-86CA3-40	INSERT	-	-	3,400
6-56	12892-86CA3-42	INSERT	-	-	3,425
6-57	12892-86CA3-45	INSERT	-	-	3,450
6-58	12892-86CA3-47	INSERT	-	-	3,475
6-59	12892-86CA3-50	INSERT	-	-	3,500
6-60	12892-86CA3-55	INSERT	-	-	3,550
6-61	12892-86CA3-62	INSERT	-	-	3,625
6-62	12892-86CA3-70	INSERT	-	-	3,700
6-63	12892-86CA3-77	INSERT	-	-	3,775
6-64	12892-86CA3-85	INSERT	-	-	3,850
6-65	12892-86CA3-92	INSERT	-	-	3,925
6-66	12892-86CA4-00	INSERT	-	-	4,000
7	12841-86CA0	TAPPET	8	8	
8	12932-86CA0	VALVE HALF BUSH	16	16	
9	12931-86CA0	VALVE SPRING CAP	8	8	
10	12921-86CA0	VALVE SPRING	8	8	
11	09289-86CA0	VALVE SEAL	8	8	
12	12933-86CA0	RETAINER	8	8	
13	09160-86CA4	WASHER	8	8	REP 14.5*33-0.4
14	12700-86CB0	CAMSHAFT	1	1	
15	11378-86CB0	CAMSHAFT SEAL	1	1	
16	12741-86CA0	GEAR	1	1	35x50-7

# FIG. 13A

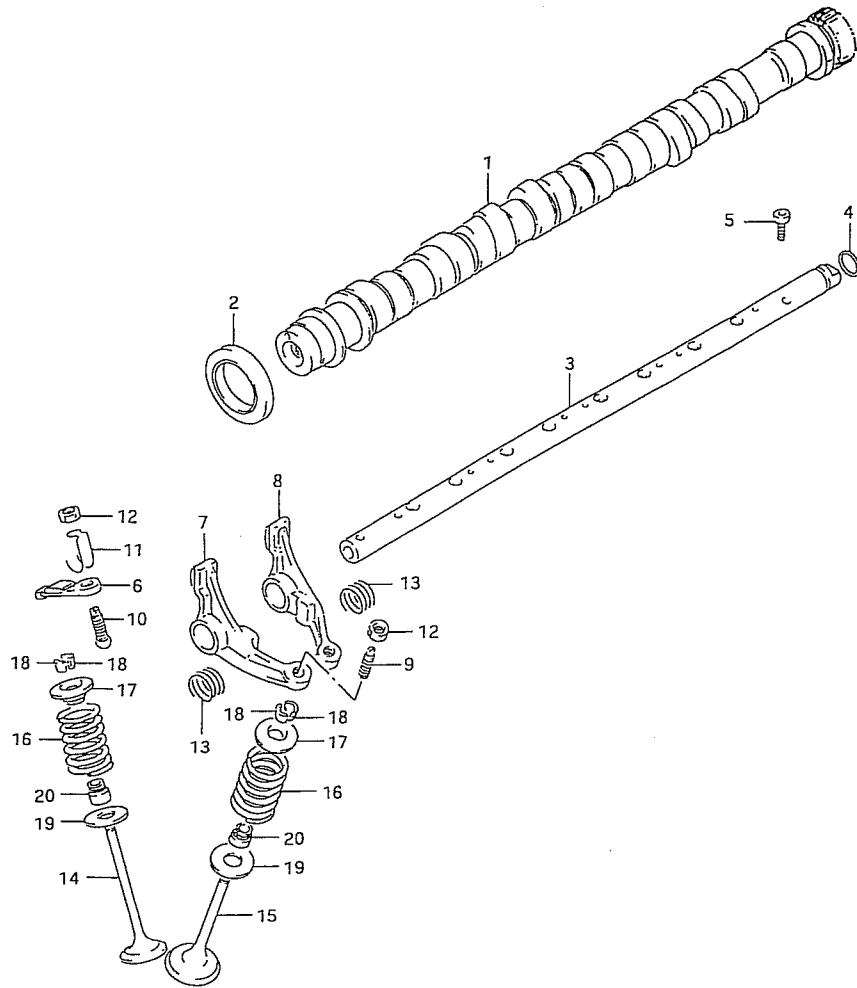


## FIG 13A. CAM SHAFT 1.9 TD

REF. NO.	PART NO.	DESCRIPTION	Q' TY		REMARKS
			C	V	
17	12761-86CA0	COGGED BELT	1	1	
18	12830-86CA0	TENSIONER	1	1	
19	12821-86CA0	SPRING	1	1	
20	12821-86CA1	SPRING GUIDE	1	1	
21	12810-86CA0	ROLLER	1	1	
22	11119-86CA3	SCREW	2	2	8x125-30
23	M1421-86CA1	STUD	1	1	8x125-35-16-21
24	11119-86CA4	SCREW	2	2	8x1, 25-20
25	08321-86CA3	SPRING WASHER	3	3	8x17-0,8
26	M8316-86CA1	HEXAGONAL NUT	1	1	8x125
27	12230-86CA1	KEY	1	1	15x5-6,5
28	12746-86CA0	SCREW	1	1	10x150-35
29	09160-86CA7	PLATE WASHER	1	1	8x22-2,5
30	11123-86CA0	PLATE	1	1	
31	15167-86CA3	O-RING	1	1	
32	11119-86CB4	SCREW	2	2	8x125-20



# FIG. 14

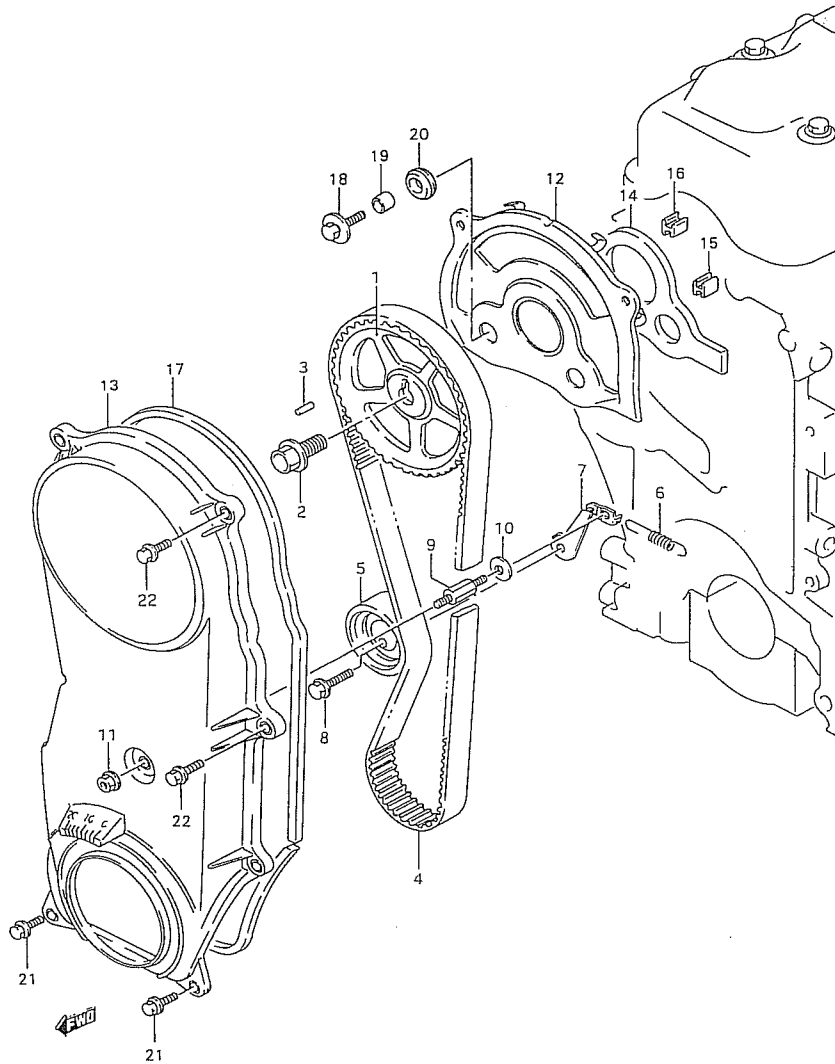


# FIG 14. CAM SHAFT (4 VALVE)

REF. NO.	PART NO.	DESCRIPTION	Q' TY		REMARKS
			C	V	
1	12710-58B10	CAM SHAFT	1	1	
2	09283-32040	SEAL, CAMSHAFT OIL	1	1	
3	12860-71C00	SHAFT, ROCKER ARM	1	1	
4	09280-12009	O RING	1	1	
5	07130-06163	BOLT	6	6	
6	12841-71C00	ARM, VALVE ROCKER INTAKE	8	8	
7	12844-71C01	ARM, VALVE ROCKER EXH NO.1	4	4	
8	12845-71C01	ARM, VALVE ROCKER EXH NO.2	4	4	
9	12842-32411	SCREW, ADJUSTING	8	8	
10	12846-61D00	SCREW, VALVE ADJUSTING	8	8	
11	12849-71C01	CLAMP, ROCKER ARM	8	8	
12	12843-32400	NUT	16	16	
13-1	12891-71C00	SPRING	5	5	MY97,
13-2	12891-85C10	SPRING	5	5	MY98,
14	12911-71C00	VALVE, INTAKE	8	8	
15	12915-71C50	VALVE, EXHAUST	8	8	
16	12921-71C01	SPRING, VALVE	16	16	
17-1	12931-71C20	RETAINER, VALVE SPRING	16	16	MY97,
17-2	12931-85C10	RETAINER, VALVE SPRING	16	16	MY98,
18	12932-24400	COTTER, VALVE	32	32	
19	12933-71C00	SEAT, VALVE SPRING	16	16	
20	09289-05012	SEAL, VALVE STEM	16	16	

←WD

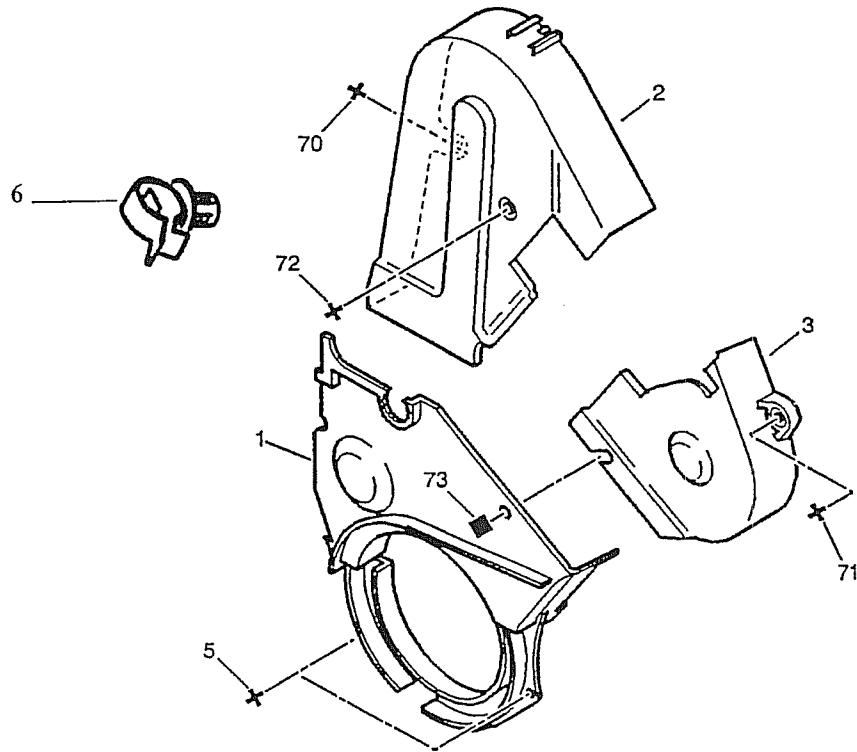
# FIG. 15



## FIG 15. TIMING BELT (2 VALVE)

REF. NO.	PART NO.	DESCRIPTION	Q' TY		REMARKS
			C	V	
1	12741-60A01	GEAR, CAMSHAFT TIMING	1	1	
2	01550-10253	BOLT	1	1	
3	04221-05109	PIN	1	1	
4	12761-85C00	BELT, TIMING	1	1	
5	12810-82003	TENSIONER ASSY, TIMING BELT	1	1	
6	12821-60A01	SPRING, TENSIONER	1	1	
7	12830-60A00	PLATE, TENSIONER	1	1	
8	01550-08353	BOLT	1	1	
9	09108-06056	STUD BOLT	1	1	
10	09160-06057	WASHER (6.5X18X1.6)	1	1	
11	08316-20063	NUT	1	1	
12	11360-82001	COVER, TIMING BELT INSIDE	1	1	
13	11390-60A11	COVER, TIMING BELT OUTSIDE	1	1	
14	11383-82000	SEAL, INSIDE COVER	1	1	
15	11394-70B00	SEAL, WATER PUMP & OIL PUMP	1	1	L:28>18.5
16	11394-70B00	SEAL, WATER PUMP & HEAD	1	1	L:28>12.5
17	11396-71C00	SEAL, OUTSIDE COVER	1	1	L:1070>1050
18	01500-06203	BOLT (6X20)	2	2	
19	09180-06106	SPACER (6.8X10X7)	2	2	
20	09308-10004	GROMMET	2	2	
21-1	01550-06163	BOLT	4	4	W/FUEL INJETCION
21-2	09103-06186	BOLT (6X16)	2	2	W/CARBURETOR
22-1	01550-06203	BOLT	4	4	W/FUEL INJECTION
22-2	09103-06187	BOLT (6X20)	6		W/CARBURETOR

# FIG. 15A

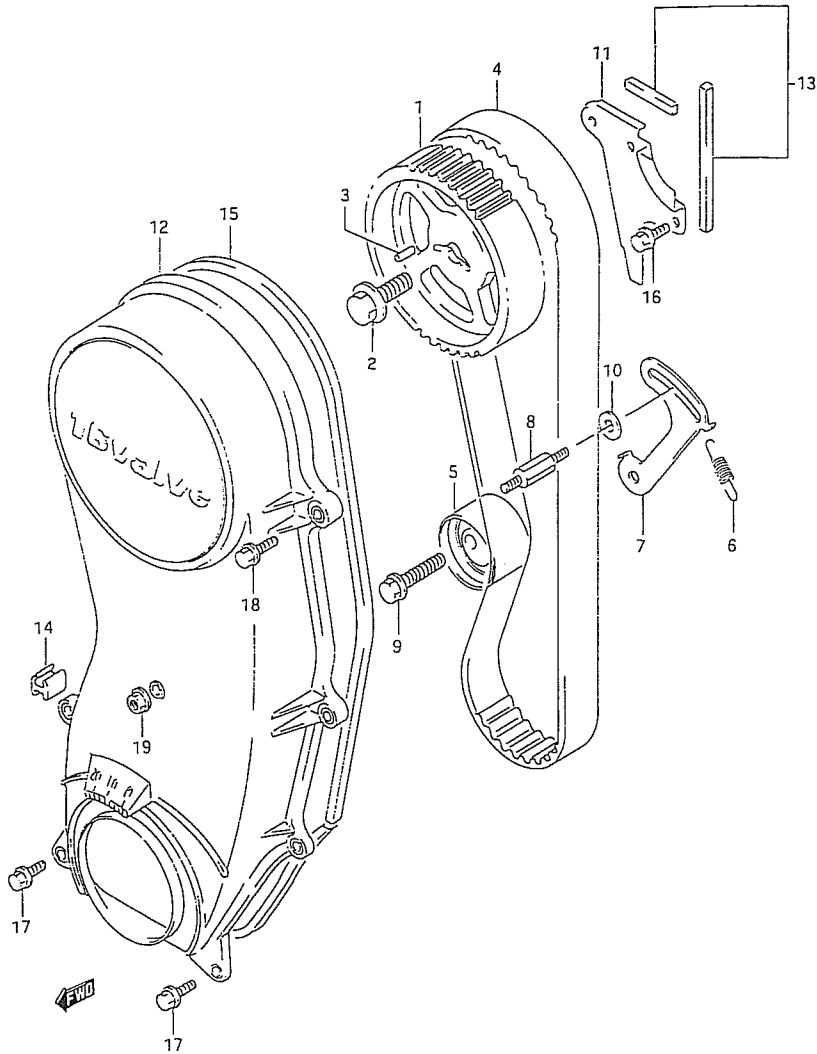


## FIG 15A. TIMING COVER 1.9 TD

REF. NO.	PART NO.	DESCRIPTION	Q' TY		REMARKS
			C	V	
1	11380-86CA0	LOWER PROTECTOR	1	1	
2	11390-86CA0	LEFT TIMING CASE	1	1	
3	11360-86CA0	RIGHT TIMING CASE	1	1	
5	11119-86CA6	SCREW	2	2	7x100-12
6	11367-86CA0	CLIP	1	1	
70	11119-86CA8	SCREW	1	1	7x100-35
71	11119-86CA7	SCREW	1	1	6x100-25
72	11119-86CA9	SCREW	1	1	6x100-16
73	M8316-86CA0	NUT WITH WASHER	1	1	6X100



# FIG. 16



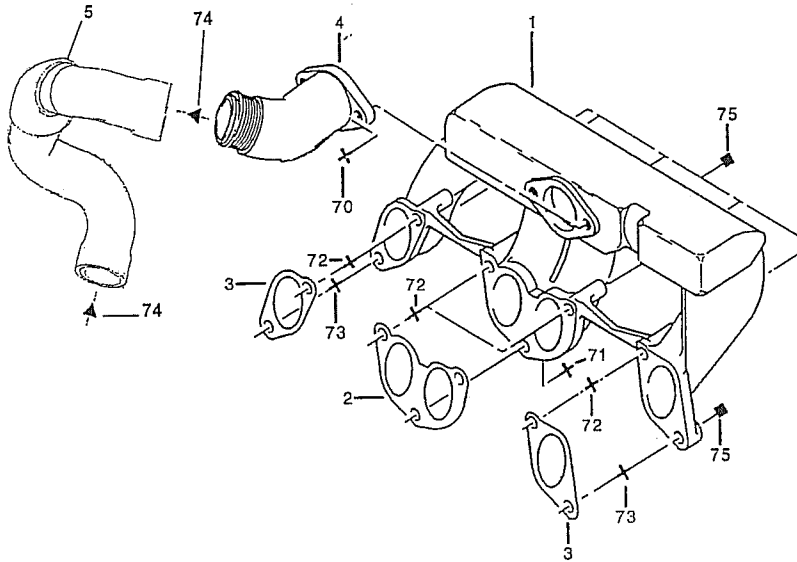
## FIG 16. TIMING BELT (4 VALVE)

REF. NO.	PART NO.	DESCRIPTION	Q' TY		REMARKS
			C	V	
1	12741-53B01	PULLEY, CAM SHAFT TIMING	1	1	
2	01550-10253	BOLT	1	1	
3	04221-05109	PIN	1	1	
4	12761-85C10	BELT, TIMING	1	1	
5	12810-71C02	TENSIONER ASSY, TIMING BELT	1	1	
6	12821-71C00	SPRING, TENSIONER	1	1	
7	12822-70C00	PLATE, TENSIONER	1	1	
8	12825-85C00	BOLT, TENSIONER PLATE	1	1	
9	01550-08403	BOLT	1	1	
10	09160-06057	WASHER (6.5X18X1.6)	1	1	
11	11360-71C00	COVER, TIMING BELT INSIDE	1	1	
12	11390-71C00	COVER, TIMING BELT OUTSIDE	1	1	
13	11480-71C00	SEAL SET, INSIDE COVER	1	1	
14	11394-70B00	SEAL, WATER PUMP	1	1	L:28>18.5
15	11396-71C00	SEAL, OUTSIDE COVER	1	1	
16	09103-06083	BOLT (6X12)	2	2	
17	01550-06163	BOLT	2	2	
18	01550-06203	BOLT	6	6	
19	08316-20063	NUT	1	1	

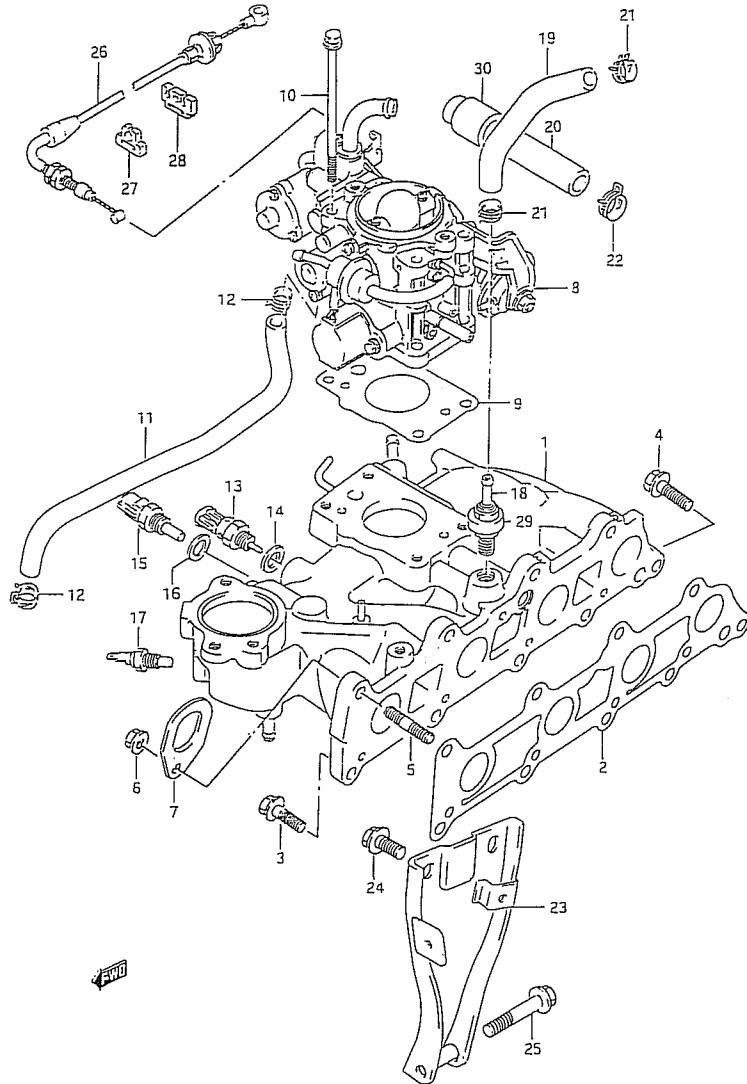
# FIG. 17A

## FIG 17A. INTAKE MANIFOLD 1.9 TD

REF. NO.	PART NO.	DESCRIPTION	Q' TY		REMARKS
			C	V	
1	13110-86CB0	INLET MANIFOLD	1	1	
2	13119-86CB0	GASKET	1	1	
3	13119-86CB1	GASKET	2	2	
4	13113-86CB0	CONNECTOR	1	1	
5	11193-86CB0	INTAKE MANIFOLD HOSE	1	1	
70	M1550-86CB0	SCREW CHC RDL	2	2	8x125-20
71	M9103-86CB0	SCREW CHC RDL	1	1	8x125-25
72	01421-86CB0	STUD	4	4	8x125-70
73	09108-86CB0	STUD	2	2	8x125-30
74	09401-86CB0	CLAMP	2	2	40/60
75	08316-86CB0	NUT	6	6	8x125



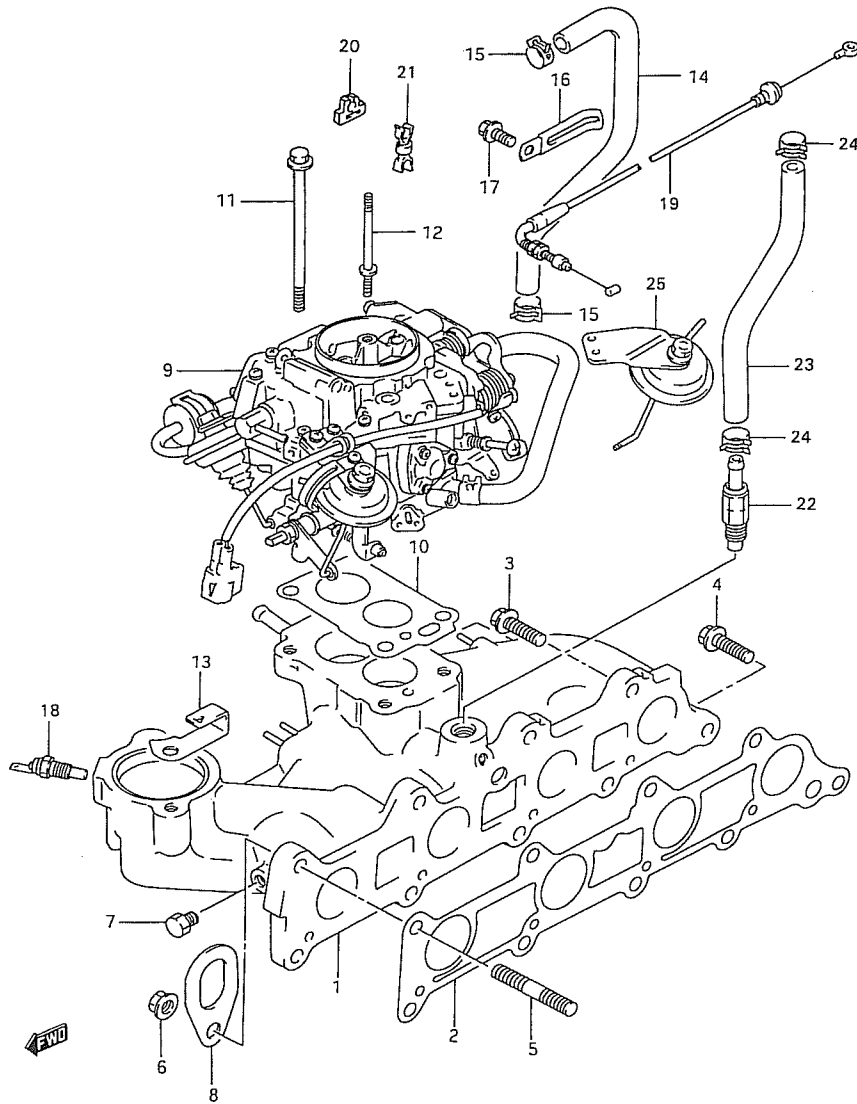
# FIG. 17



## FIG 17. INTAKE MANIFOLD AND THROTTLE BODY (2 VALVE: W/FUEL I)

REF. NO.	PART NO.	DESCRIPTION	C	Q' TY	V	REMARKS
1	13110-56B40	MANIFOLD, INTAKE	1	1		
2	13119-85C00	GASKET, INTAKE MANIFOLD	1	1		
3	01550-08253	BOLT	5	5		
4	01550-08253	BOLT	1	1		
5	13117-60B00	BOLT	3	3		
6	08310-10083	NUT	3	3		
7	11851-62B00	HOOK, ENGINE	1	1		
8	13400-56B00	BODY ASSY, THROTTLE	1	1		
9	13421-85C00	GASKET, THROTTLE BODY	1	1		
10	09103-08230	BOLT (8X100)	4	4		
11	13492-56B01	HOSE	1	1		
12	17879-85C00	CLIP	2	2		
13	13650-56B00	SENSOR, INLET AIR TEMP	1	1		
14	09168-12016	GASKET, INLET AIR TEMP SENSOR	1	1		
15	13650-61B00	SENSOR, WATER TEMP	1	1		
16	09168-12016	GASKET, WATER TEMP SENSOR	1	1		
17	34850-82012	GAUGE ASSY, WATER TEMP	1	1		
18	18118-80010	VALVE, PCV	1	1		
19	09354-70153-60	HOSE, PCV (L:600>120)	1	1		
20	09355-13207-60	HOSE, BREATHER (L:600>120)	1	1		
21	11195-85C00	CLAMP, PCV HOSE	2	2		
22	11196-85C00	CLAMP, BREATHER HOSE	1	1		
23	13620-56B01	STIFFENER, INTAKE MANIFOLD	1	1		
24	01550-10203	BOLT	2	2		
25	01517-10603	BOLT	1	1		
26-1	15910-85C20	CABLE ASSY, ACCEL	1	1		LHD
26-2	15910A61A02	CABLE ASSY, ACCEL	1	1		RHD
26-3	15910-86CB0	CABLE ASSY, ACCEL	1	1		1.9 TD
27	15991-61A02	CLAMP	1	1		LHD
28	15991-83000	CLAMP	1	1		LHD
29	09355-13207-60	PROTECTOR (L:600>330)	1	1		
30	11194-80C00	PROTECTOR (L:120>60)	1	1		

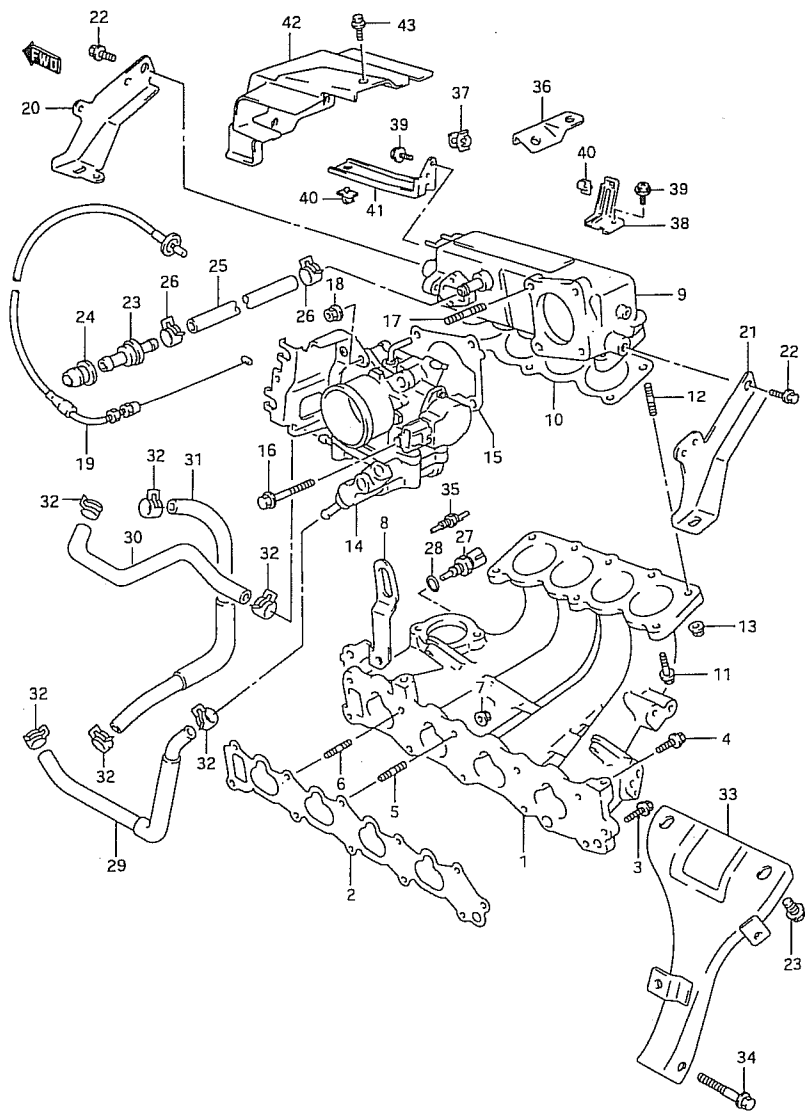
# FIG. 18



## FIG 18. INTAKE MANIFOLD AND CARBURETOR (2 VALVE: W/CARBURETO)

REF. NO.	PART NO.	DESCRIPTION	Q' TY		REMARKS
			C	V	
1	13110-60X52	MANIFOLD, INTAKE	1	1	
2	13119-85C00	GASKET, INTAKE MANIFOLD	1	1	
3	01550-08253	BOLT	5	5	
4	01550-08253	BOLT, EARTH	1	1	
5	13117-60B00	STUD BOLT	3	3	
6	08310-10083	NUT	3	3	
7	09246-04005	PLUG, BOOST	1	1	
8	11851-62B00	HOOK, ENGINE	1	1	
9	13200-60A12	CARBURETOR ASSY	1	1	
10	13125B60A00	GASKET, CARBURETOR	1	1	
11	09103-08230	BOLT (8X100)	4	4	
12	09108-06052	STUD BOLT, AIR CLEANER	1	1	
13	13194-60A00	BRACKET, CARBURETOR HARNESS	1	1	
14	13192-60A00	HOSE, CARBURETOR CHOKE OUTLET	1	1	
15	17879-85C00	CLIP	2	2	
16-1	09403A48401	CLAMP	1	1	MY97,
16-2	09404-06432	CLAMP	1	1	MY98,
17	01550-06123	BOLT	1	1	
18	34850-82012	GAUGE ASSY, WATER TEMP	1	1	
19	15910A61A10	CABLE ASSY, ACCEL	1	1	
20	15991-61A02	CLAMP, ACCEL CABLE	1	1	
21	09408A00118	CLIP, ACCEL CABLE	1	1	
22	18118-80010	VALVE, PCV	1	1	
23	11193-60A00	HOSE, PCV	1	1	
24	11195-85C00	CLAMP	2	2	
25	95550-60A20	ID UP ASSY, AIR CON	1	1	

# FIG. 19

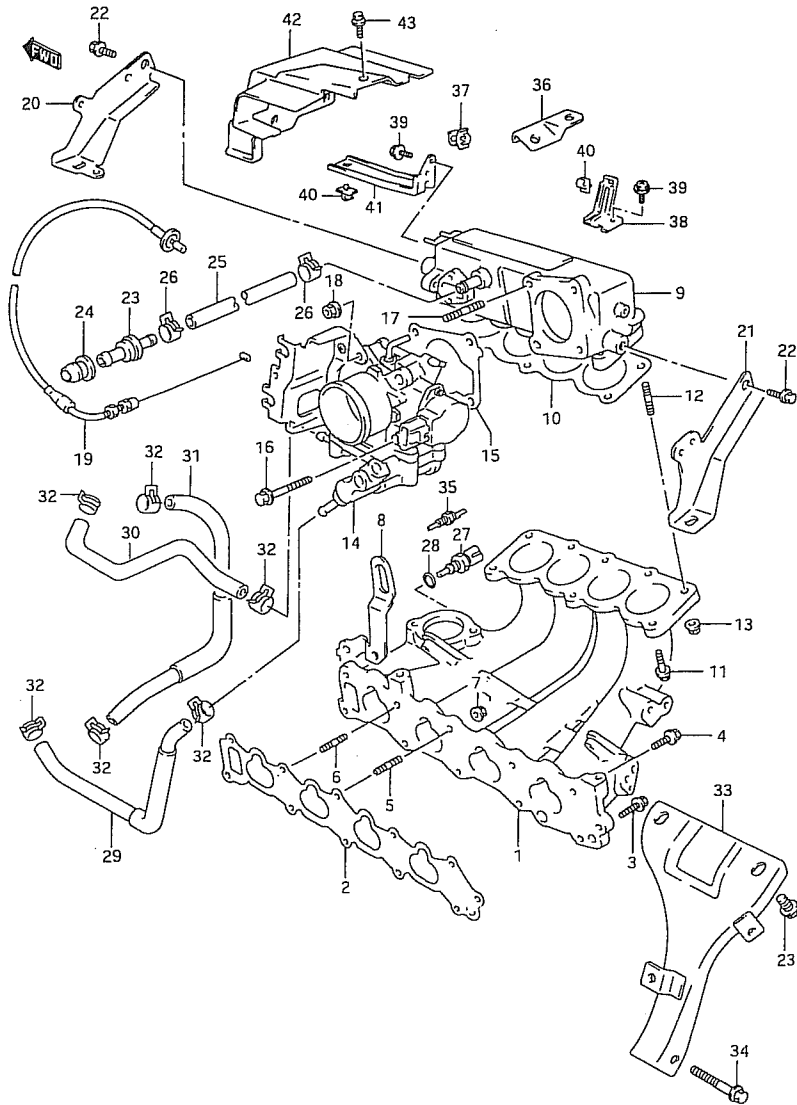


## FIG 19. INTAKE MANIFOLD AND THROTTLE BODY (4 VALVE)

REF. NO.	PART NO.	DESCRIPTION	Q' TY		REMARKS
			C	V	
1-1	13110-58B20	MANIFOLD, INTAKE	1	1	MY97
1-2	13110-58B50	MANIFOLD, INTAKE	1	1	MY98
2-1	13119-57B00	GASKET, INTAKE MANIFOLD	1	1	MY97
2-2	13119-85C10	GASKET, INTAKE MANIFOLD	1	1	MY98
3	01550-08253	BOLT	1	1	
4	01550-08353	BOLT	2	2	
5	13117-60B00	STUD BOLT	7	7	
6	01421-08353	STUD BOLT	1	1	
7	08310-10083	NUT	8	8	
8	11852-57B01	HOOK, ENGINE	1	1	
9	13140-58B41	TANK, SURGE INTAKE	1	1	MY97
10	13122-58B00	GASKET, SURGE TANK	1	1	MY97
11	01550-08253	BOLT	5	5	MY97
12	01421-08203	STUD BOLT	3	3	MY97
13	08310-10083	NUT	3	3	MY97
14-1	13400-58B00	BODY ASSY, THROTTLE	1	1	MT
14-2	13400-58B10	BODY ASSY, THROTTLE	1	1	AT
15	13421-85C10	GASKET, THROTTLE BODY	1	1	
16	01550-08553	BOLT	2	2	
17	01421-08553	STUD BOLT	2	2	
18	08310-10083	NUT	2	2	
19-1	15910-57B11	CABLE ASSY, ACCEL	1	1	LHD
19-2	15910-57B02	CABLE ASSY, ACCEL	1	1	MY97, RHD
19-3	15910-57B03	CABLE ASSY, ACCEL	1	1	MY98, RHD
20	13626-58B00	STIFFENER, MANIFOLD NO.1	1	1	
21	13627-58B00	STIFFENER, MANIFOLD NO.2	1	1	
22	01550-10203	BOLT	6	6	
23	18118-58B00	VALVE, PCV	1	1	
24	11198-58B00	SEAL, PCV VALVE	1	1	
25	09354-80153-60	HOSE, PCV	1	1	L:600>150
26	11195-85C00	CLIP	2	2	
27	13650-57F00	SENSOR, WATER TEMP	1	1	
28	09168-12016	GASKET (12.2X21X0.8)	1	1	
29	13491-58B00	HOSE, WATER THROTTLE INLET	1	1	
30	09352-70131-60	HOSE, WATER THROTTLE OUTLET	1	1	L:600>190
31	13494-58B00	HOSE, ISC OUTLET	1	1	
32	17879-85C00	CLIP	6	6	
33	13620-57B01	STIFFENER	1	1	
34	01517-10603	BOLT	1	1	
35	34850-82012	GAUGE ASSY, WATER TEMPERATURE	1	1	
36	15919-57B11	BRACKET, ACCEL CABLE CLAMP	1	1	LHD
37	09403-06318	CLAMP	1	1	LHD



# FIG. 19



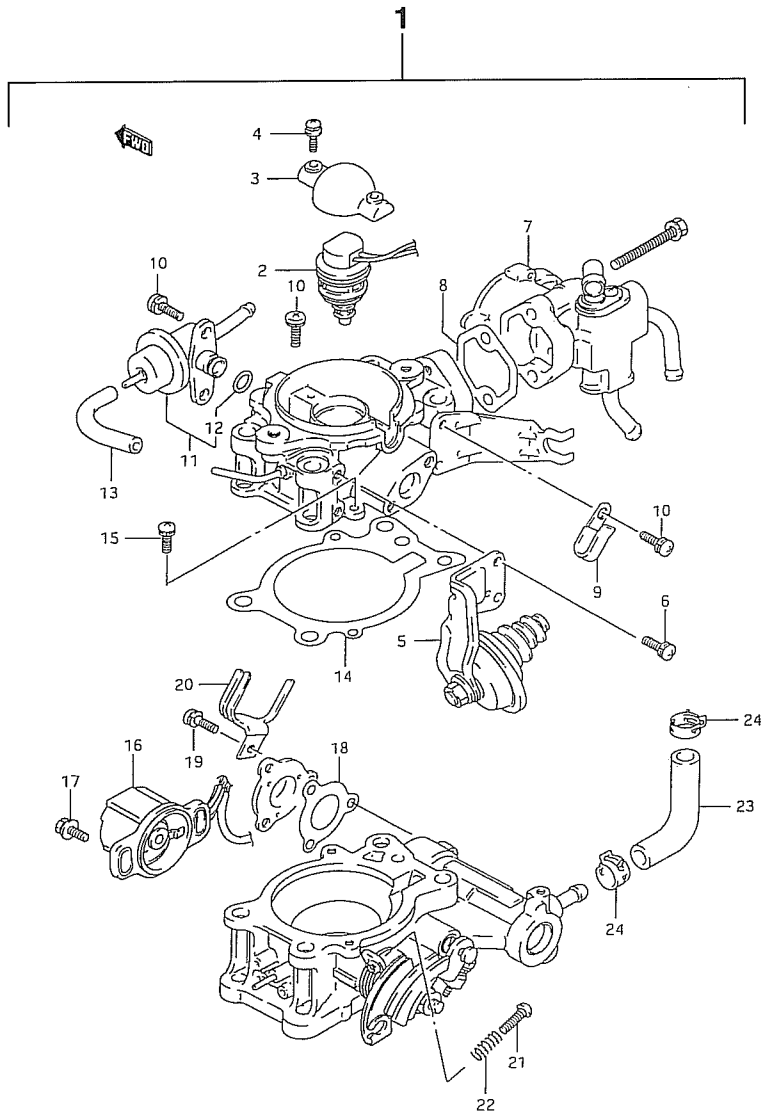
# FIG 19. INTAKE MANIFOLD AND THROTTLE BODY (4 VALVE)

REF. NO.	PART NO.	DESCRIPTION	Q' TY		REMARKS
			C	V	
38-1	15918-58B10	BRACKET, ACCEL CABLE	1	1	MY97:RHD:MT
38-2	15918-58B00	BRACKET, ACCEL CABLE	1	1	MY97:RHD:AT
38-3	15918-58B10	BRACKET, ACCEL CABLE	1	1	MY98:RHD
39	01550-06123	BOLT	2	2	RHD
40	09403-06318	CLAMP	2	2	RHD
41	15919-58B10	BRACKET	1	1	RHD
42	13471-58B00	COVER, THROTTLE	1	1	
43	09103-06168	BOLT (6X10)	3	3	

# FIG. 20

# FIG 20. THROTTLE BODY (2 VALVE: W/FUEL INJECTION)

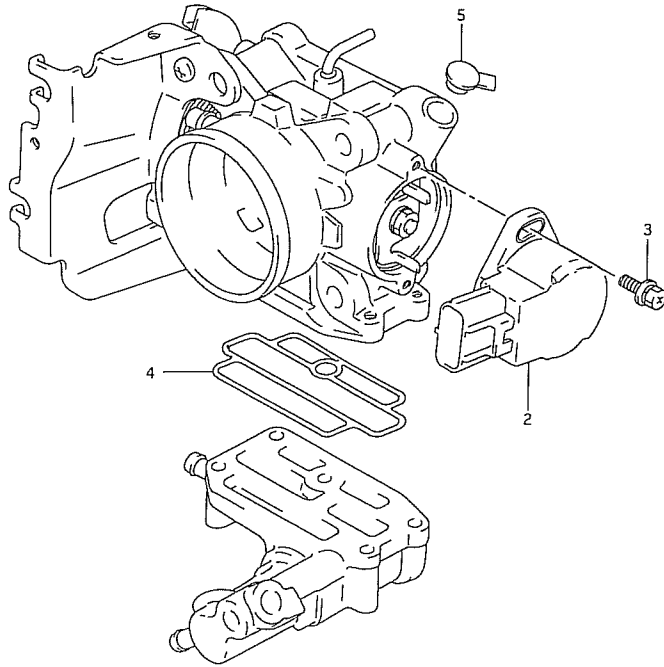
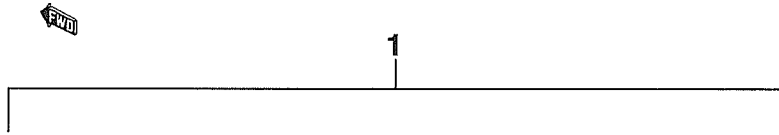
REF. NO.	PART NO.	DESCRIPTION	Q' TY		REMARKS
			C	V	
1	13400-56B00	BODY ASSY, THROTTLE	1	1	
2	15710-56B00	.INJECTOR ASSY	1	1	
3	13431-61A00	.COVER	1	1	
4	13439-61A00	.SCREW, COVER	2	2	
5	13432-61A00	.BRACKET ASSY, DEPRESSION	1	1	
6	02112-05123	.SCREW, DEPRESSION BRACKET	2	2	
7	18117-56B00	.SOLENOID ASSY	1	1	
8	13441-56B00	.GASKET, SOLENOID	1	1	
9-1	09404-06206	.CLIP, SOLENOID	1	1	MY97,
9-2	09404-06432	.CLIP, SOLENOID	1	1	MY98,
10	02112-05123	.SCREW	5	5	
11	15160-56B00	.REGULATOR ASSY	1	1	
12	15167-61A00	.SEAL, REGULATOR	1	1	
13	13454-61A01	.HOSE	1	1	L:275>70
14	13441-61A00	.GASKET	1	1	
15	02112-35253	.SCREW	1	1	
16	13420-56B00	.SENSOR, THROTTLE	1	1	
17	13428-58B00	.BOLT	2	2	
18	13442-61A00	.GASKET	1	1	
19	02112-05123	.SCREW	3	3	
20	13445-61A00	.CLIP	1	1	
21	13443-61A00	.SCREW, ADJUST	1	1	
22	13444-61A00	.SPRING, ADJUST SCREW	1	1	
23	13491-56B00	.HOSE	1	1	
24	17879-85C00	.CLIP	2	2	-
25	13403-56B00	.GASKET SET, THROTTLE BODY	1	1	NOT SHOWN- (INC. REF. NO. 8,



# FIG. 21

## FIG 21. THROTTLE BODY (4 VALVE)

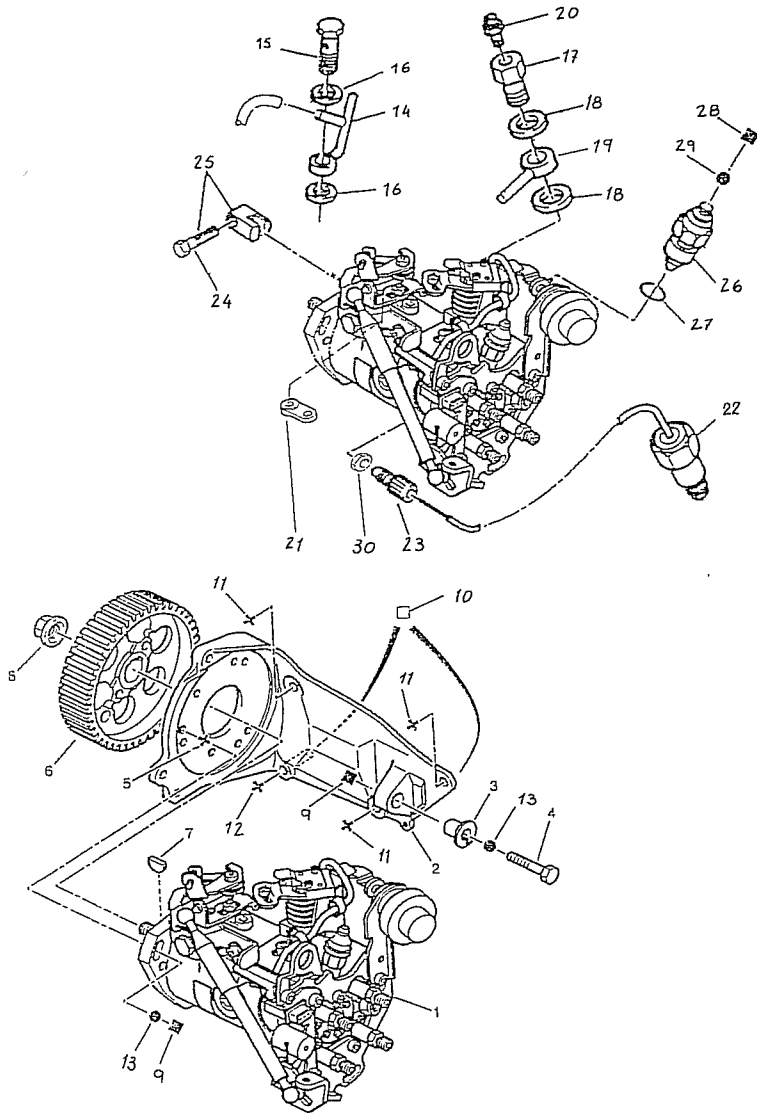
REF. NO.	PART NO.	DESCRIPTION	Q' TY		REMARKS
			C	V	
1-1	13400-58B00	BODY ASSY, THROTTLE	1	1	MT
1-2	13400-58B10	BODY ASSY, THROTTLE	1	1	AT
2	13420-58B00	.SENSOR, THROTTLE	1	1	
3	13428-58B00	.BOLT	2	2	
4	18138-58B00	.O RING	1	1	
5	13416-58B00	.CAP	1	1	



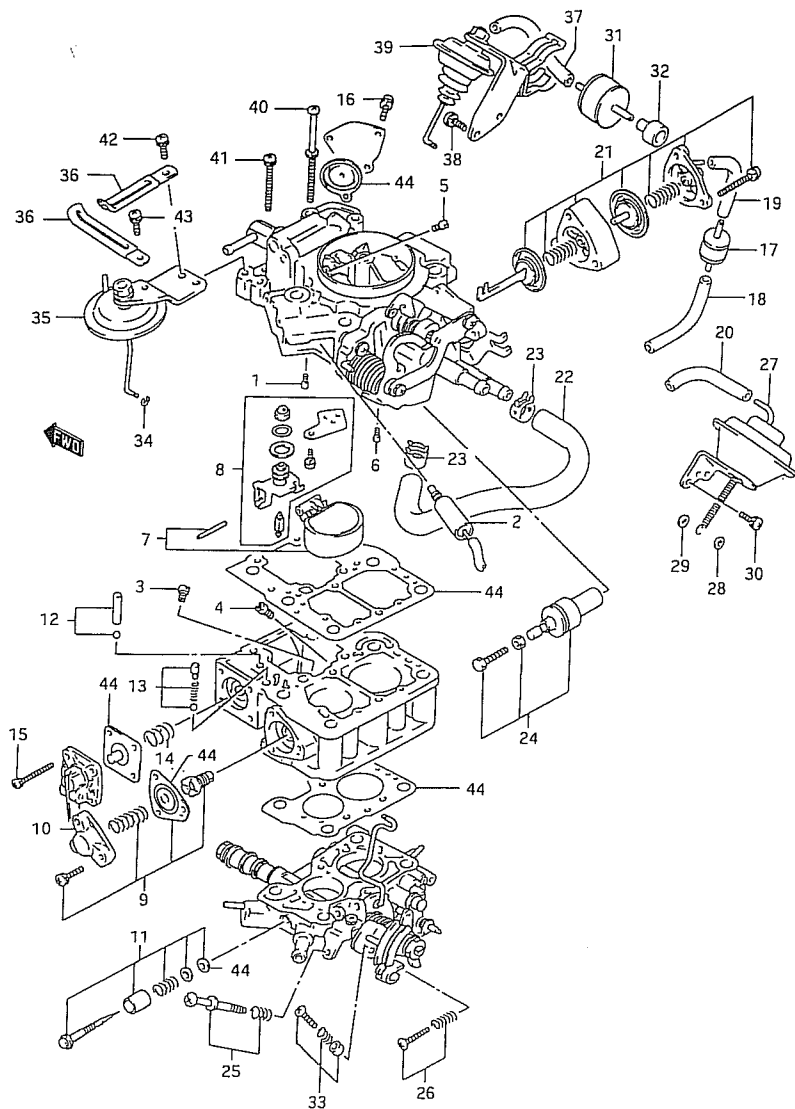
# FIG. 21A

# FIG 21A. INJECTION PUMP 1.9 TD

REF. NO.	PART NO.	DESCRIPTION	Q' TY		REMARKS
			C	V	
1-1	15200-86CB1	INJECTION PUMP	1	1	N/INMOBILIZER
1-2	15200-86CC0	INJECTION PUMP	1	1	W/INMOBILIZER
2	15281-86CB0	BRACKET	1	1	
3	15167-86CA5	RING	1	1	
4	01570-86CA4	SCREW	1	1	TH 8x125-50
5	M1421-86CB3	STUD	3	3	8x125-32-16-24
6	12741-86CB1	INJECTION PUMP GEAR	1	1	
7	12230-86CA2	KEY	1	1	
8	08316-86CA1	NUT	1	1	12x175
9	M8316-86CB1	HEXAGONAL NUT	4	4	8x125
10	35337-86CA0	PIN	2	2	10x10
11	11119-86CA3	SCREW	3	3	8x125-30
12	01570-86CA5	SCREW	1	1	8x125-55
13	08321-86CA3	SPRING WASHER	4	4	8x17-0,8
14	15260-86CB0	OUTLET TUBE	1	1	
15	15261-86CB0	CONNECTION SCREW	1	1	D.12
16	11228-86CA8	GASKET	2	2	12,1x18,2
17	15291-86CB0	CONNECTION SCREW	1	1	D.10
18	15262-86CB0	GASKET	2	2	10.5x18
19	15250-86CB0	INLET TUBE	1	1	
20	15282-86CB0	BLEED SCREW	1	1	8x125-29
21	15281-86CB1	JOURNAL	1	1	
22	15240-86CA0	THERMOSTATIC ELEMENT	1	1	22x150
23	34851-86CA0	ADJUSTING SCREW	1	1	
24	09100-86CA0	SCREW	1	1	4x070
25	13446-86CA1	CABLE CLAMP/SERRE-CABLE	1	1	
26	15220-86CB0	SOLENOID VALVE(ELECTROVAL)	1	1	
27	15167-86CB2	O-RING/JOINT TORIQUE	1	1	
28	M8316-86CA6	NUT	1	1	M5
29	08322-86CA1	WASHER	1	1	DIAMETRO 5
30	M8316-86CA4	NUT/ECROU	2	2	8x125



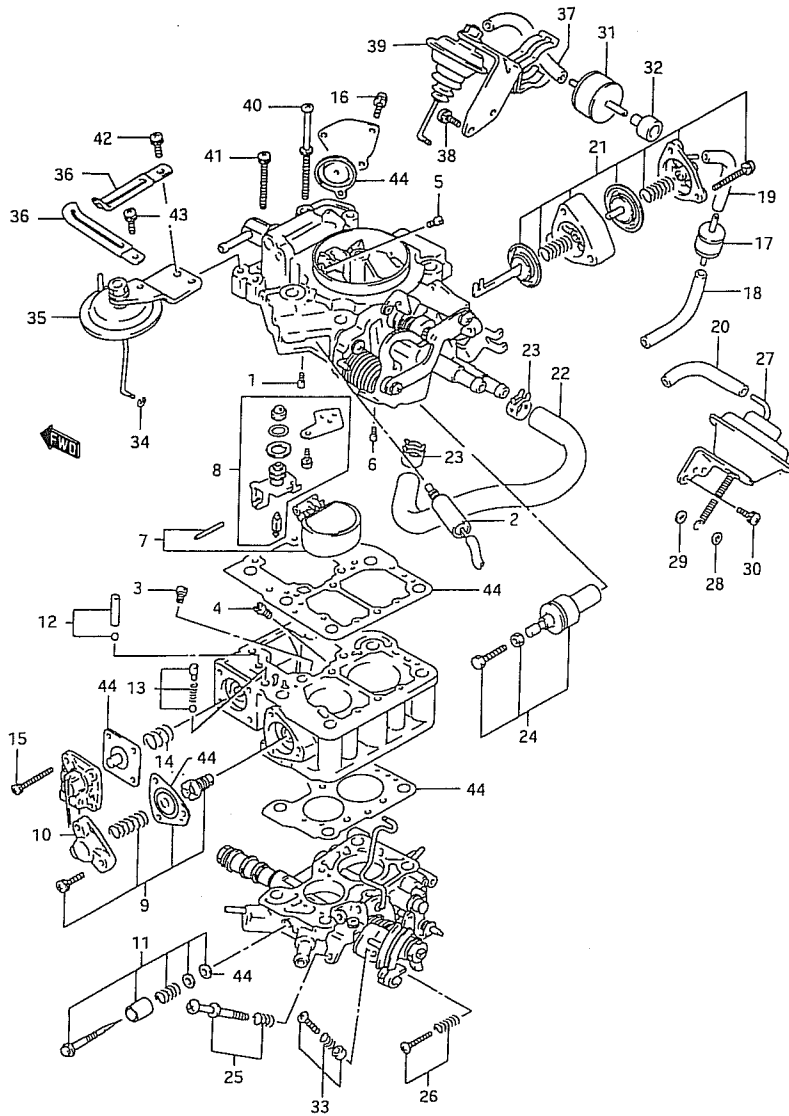
# FIG. 22



# FIG 22. CARBURETOR (2 VALVE: W/CARBURETOR)

REF. NO.	PART NO.	DESCRIPTION	Q' TY		REMARKS
			C	V	
0000	13200-60A12	CARBURETOR ASSY	1	1	
1	13259-60A00	.JET, PILOT (#51.3)	1	1	
2	13260-60A00	.SOLINOID ASSY	1	1	
3	13258-60A00	.JET, MAIN (#98.8)	1	1	
4	09491-33006	.JET, MAIN (#165)	1	1	
5-1	09491-50007	.JET, MAIN AIR (#50)	1	1	MY97
5-2	09492-50020	.JET, MAIN AIR (#50)	1	1	MY98
6	09492-20020	.JET, PILOT (#100)	1	1	
7	13250-840T0	.FLOAT SET	1	1	
8	13370-824T0	.VALVE SET, NEEDLE	1	1	
9	13320-823T0	.VALVE SET, POWER	1	1	
10	13481-60A00	.COVER ASSY	1	1	
11	13270-60AT0	.SCREW SET, IDLE ADJUST	1	1	
12	13248-840T0	.BUSH SET	1	1	
13	13245-60AT0	.VALVE SET, CHECK	1	1	
14	13494-37010	.SPRING	1	1	
15	02112-34203	.SCREW	4	4	
16	02112-34083	.SCREW	3	3	
17	18480-79110	.JET	1	1	
18	09355-35754-600	.HOSE	1	1	L: 600>50
19	09355-35754-600	.HOSE	1	1	L: 600>60
20	09355-35754-600	.HOSE	1	1	L: 600>80
21	13210-60AT0	.DIAPHRAGM SET	1	1	
22	13341-60A00	.HOSE	1	1	
23-1	18119-85C50	.CLIP	2	2	MY97
23-2	09401-13417	.CLIP	2	2	MY98
24	13228-840T0	.ELEMENT SET, THERMO	1	1	
25	13275-60AT0	.SCREW SET, ADJUST	1	1	
26	13601-60AT0	.SCREW SET, ADJUST	1	1	
27	13330-60A00	.DEPRESSION ASSY	1	1	
28	13672-55A00	.CLIP, SPRING	1	1	
29	13331-60A00	.WASHER	1	1	
30	02112-35103	.SCREW	3	3	
31	18114-80010	.VALVE, VTV	1	1	
32	18133-80401	.FILTER ASSY	1	1	
33	13601-841T0	.SCREW SET, ADJUST	1	1	
34	.E RING	1	1		
35	13360-60A01	.DEPRESSION ASSY	1	1	
36	09404-06413	.CLAMP	2	2	
37	09355-35754-600	.HOSE	1	1	L: 600>60
38	13601-05148	.SCREW	2	2	

# FIG. 22



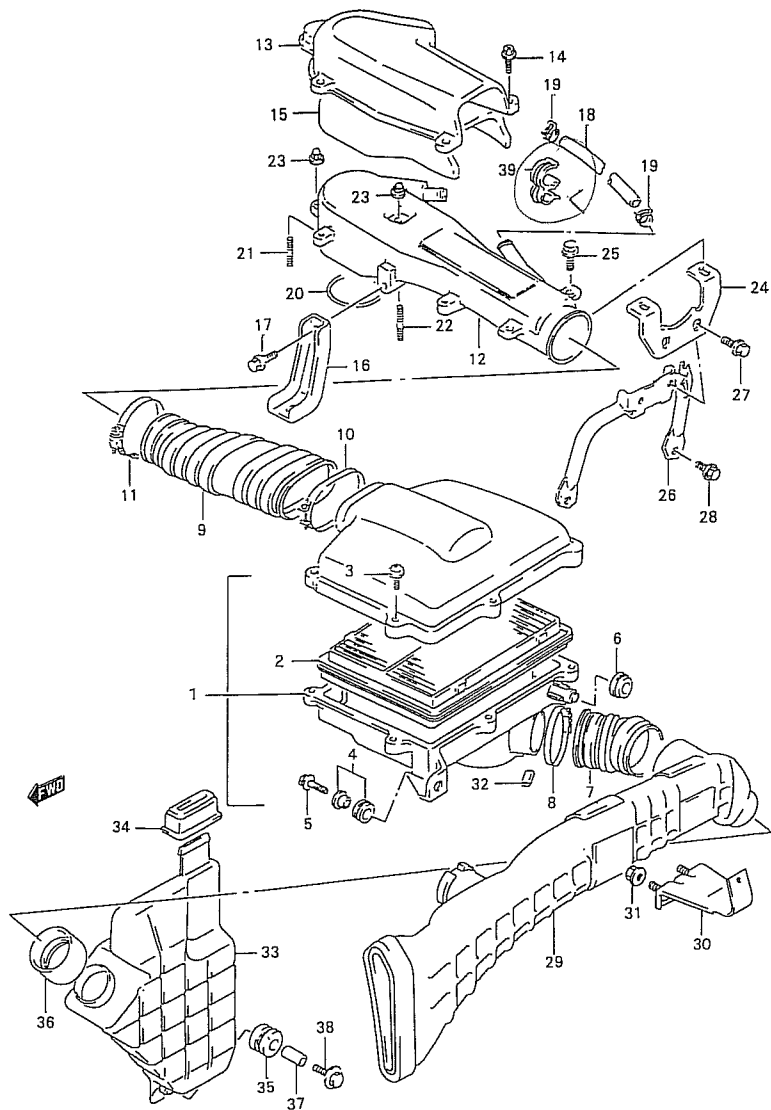
## FIG 22. CARBURETOR (2 VALVE: W/CARBURETOR)

REF. NO.	PART NO.	DESCRIPTION	Q' TY		REMARKS
			C	V	
39	13350-60A10	.DASH POT	1	1	
40	02112-35656	.SCREW	4	4	
41	02112-35353	.SCREW	2	2	
42	02112-35103	.SCREW	2	2	
43	13601-05066	.SCREW	1	1	
44	13380-60A10	.GASKET SET	1	1	

# FIG. 23

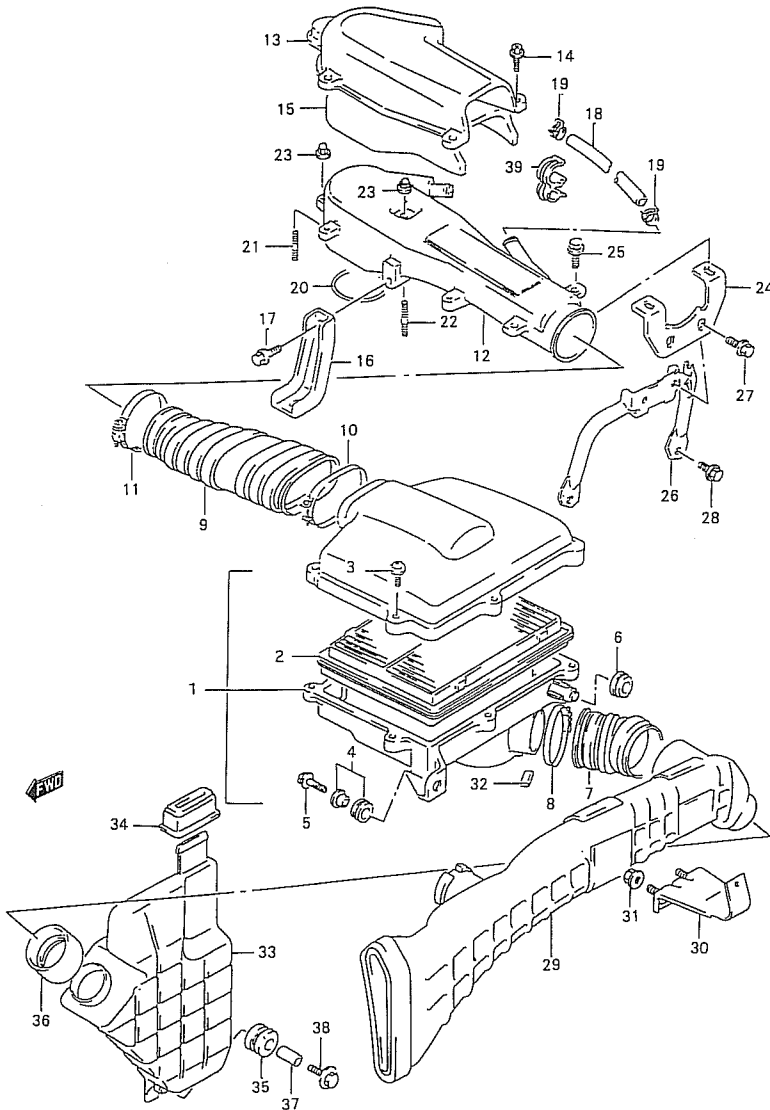
# FIG 23. AIR CLEANER (2 VALVE: W/FUEL INJECTION)

REF. NO.	PART NO.	DESCRIPTION	QTY		REMARKS
			C	V	
37	09180-08197	COLLAR, RESONATOR	1	1	
38	09116-06155	BOLT (6X35)	1	1	
39	09408-00157	CLIP, BREATHER HOSE	1	1	



# FIG. 23

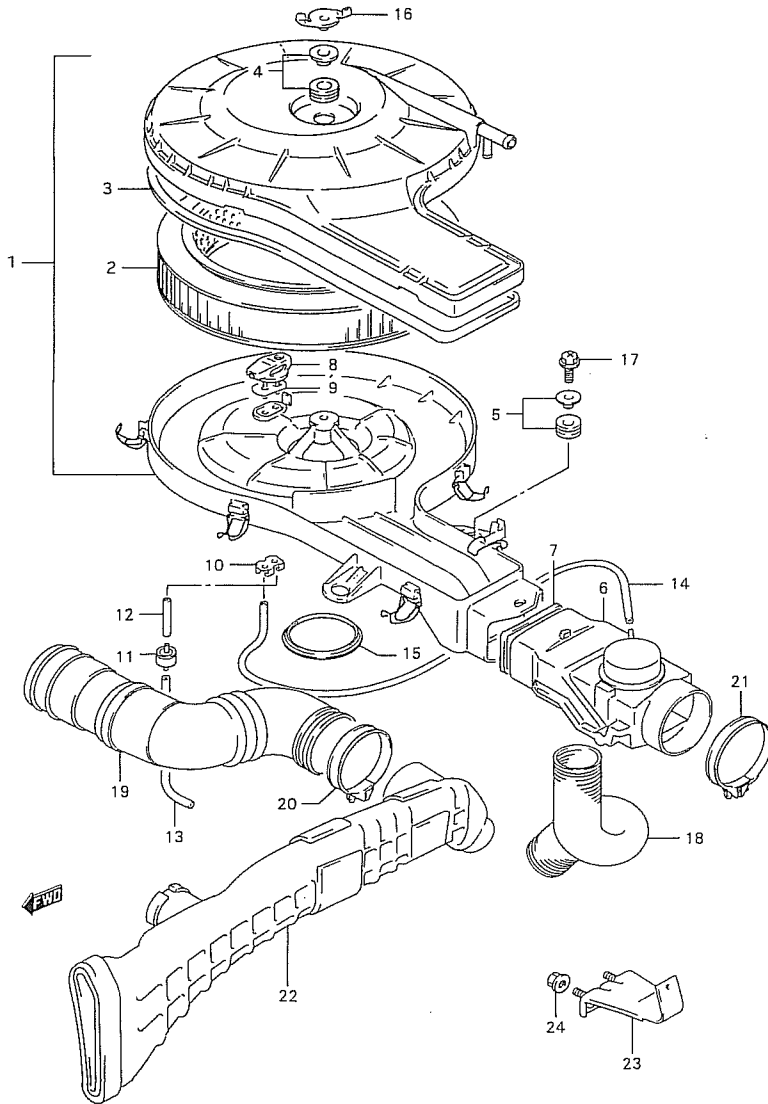
## FIG 23. AIR CLEANER (2 VALVE: W/FUEL INJECTION)



REF. NO.	PART NO.	DESCRIPTION	Q' TY		REMARKS
			C	V	
1-1	13700-61A01	CLEANER ASSY, AIR	1	1	PETROL
1-2	13700-78E01	CLEANER ASSY, AIR	1	1	1.9 T.DIESEL
2-1	13780-61A00	.FILTER, AIR CLEANER	1	1	PETROL
2-2	13780-77E00	.FILTER, AIR CLEANER	1	1	1.9 T.DIESEL
3	02112-16203	.SCREW	6	6	
4	13813-61A00	.GROMMET SET	2	2	
5	01550-06253	BOLT	2	2	
6	09308-15006	GROMMET	1	1	
7-1	13871-56B00	HOSE, AIR CLEANER INLET	1	1	PETROL
7-2	13872-86CA0	HOSE, AIR CLEANER INLET	1	1	1.9 T.DIESEL
8	09402-68202	CLAMP	1	1	
9-1	13880-61A00	HOSE ASSY, OUTLET	1	1	PETROL
9-2	13880-86CB0	HOSE ASSY, OUTLET	1	1	1.9 T.DIESEL
10-1	13891-61A00	CLAMP	1	1	PETROL
10-2	09402-82202	CLAMP	1	1	1.9 T.DIESEL
11	09402-82511	CLAMP	1	1	
12	13830-56B00	CASE, AIR INTAKE	1	1	
13	13840-56B00	COVER, INTAKE AIR CASE	1	1	
14	01550-06123	SCREW	4	4	
15	13845-56B00	INSULATOR, AIR INTAKE CASE	1	1	
16	13850-56B00	STIFFENER, CASE	1	1	
17	01550-08203	BOLT	2	2	
18	09355-90145-600	HOSE, ISC (L:600>340)	1	1	
19	18119-85C50	CLIP, ISC HOSE	2	2	
20	13879-81050	SEAL, AIR INTAKE CASE	1	1	
21	01421-06303	STUD BOLT	1	1	
22	01421-06653	STUD BOLT	1	1	
23	08316-20063	NUT	2	2	
24	13861-61A01	PLATE, AIR INTAKE CASE	1	1	
25	01550-08203	BOLT	2	2	
26	13850-61A02	BRACKET, AIR INTAKE CASE	1	1	
27	01517-08123	BOLT	2	2	
28	01550-08203	BOLT	2	2	
29	13820-56B00	CASE, AIR CLEANER SUCTION	1	1	
30	13829-56B01	CLAMP, SUCTION CASE	2	2	
31	08316-20063	NUT	4	4	
32	13814-61A00	CUSHION, AIR CLEANER	1	1	
33	13760-56B01	RESONATOR	1	1	
34	13765-56B01	CUSHION, UPPER	1	1	
35	13766-56B00	CUSHION, LOWER	1	1	
36	13767-56B00	JOINT, RESONATOR	1	1	



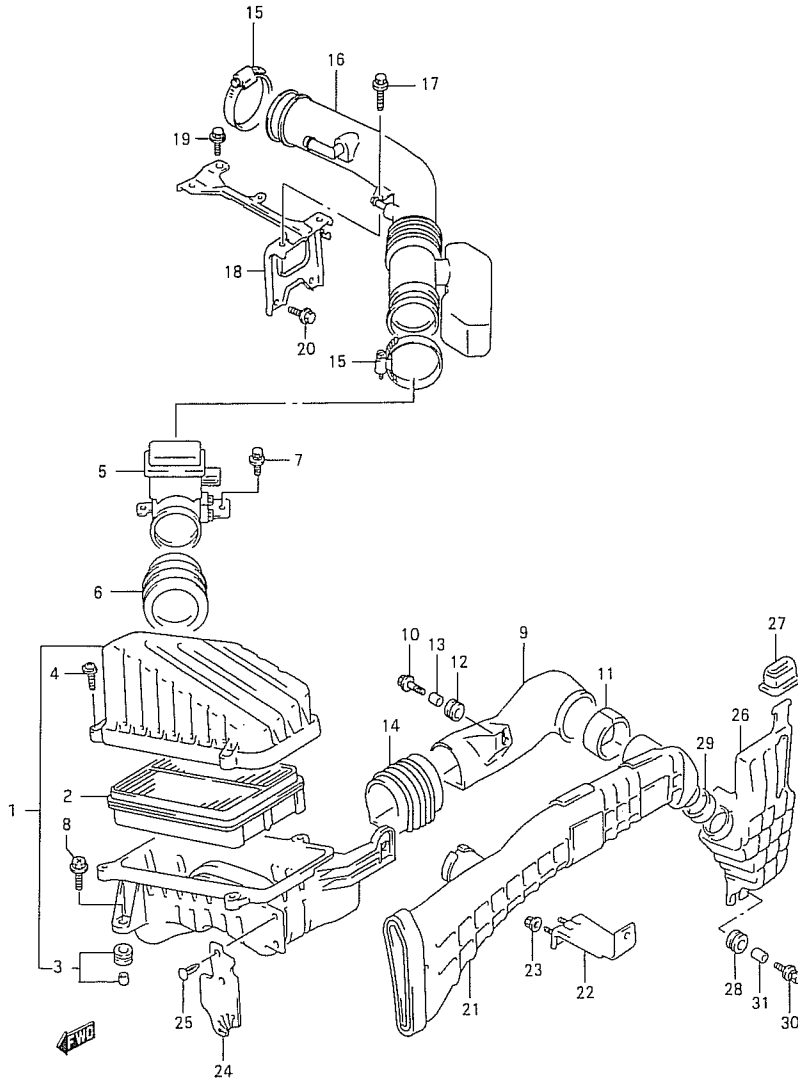
# FIG. 24



## FIG 24. AIR CLEANER (2 VALVE: W/CARBURETOR)

REF. NO.	PART NO.	DESCRIPTION	Q' TY		REMARKS
			C	V	
1	13700-63X50	CLEANER ASSY, AIR	1	1	
2	13780-60A00	.FILTER, AIR CLEANER	1	1	
3	13775-60A00	.GASKET, CASE	1	1	
4	13773-60AT0	.GROMMET SET, CAP	1	1	
5	13813-61AT0	.GROMMET SET, CASE	2	2	
6	13740-60A00	.CASE ASSY, AIR VALVE	1	1	
7	13713-60A00	.GASKET, CASE	1	1	
8	13749-82111	.SENSOR ASSY, THERMO	1	1	
9	13818-82000	.GASKET, THERMO SENSOR	1	1	
10	13819-83000	.CLAMP, THERMO SENSOR	1	1	
11	13715-82110	.VALVE, CHECK	1	1	
12	09355-35754-600	.HOSE, SENSOR TO VALVE	1	1	L:600>50
13	09355-35754-600	.HOSE, VALVE TO INTAKE	1	1	L:600>130
14	09355-35754-00B	.HOSE, ACTUATOR TO SENSOR	1	1	L:2000>760
15	13885-60A00	SEAL, AIR CLEANER CASE	1	1	
16	09144-06006	NUT, AIR CLEANER	1	1	
17	01550-06253	BOLT, AIR CLEANER	2	2	
18	13841-60A00	HOSE, WARM AIR	1	1	
19	13870-56B11	HOSE, COOL AIR	1	1	
20	13879-85C00	CLAMP	1	1	
21	09402-72203	CLAMP	1	1	
22	13820-56B20	CASE, AIR CLEANER SUCTION	1	1	
23	13829-56B01	CLAMP, SUCTION CASE	2	2	
24	08316-20063	NUT	4	4	

# FIG. 25

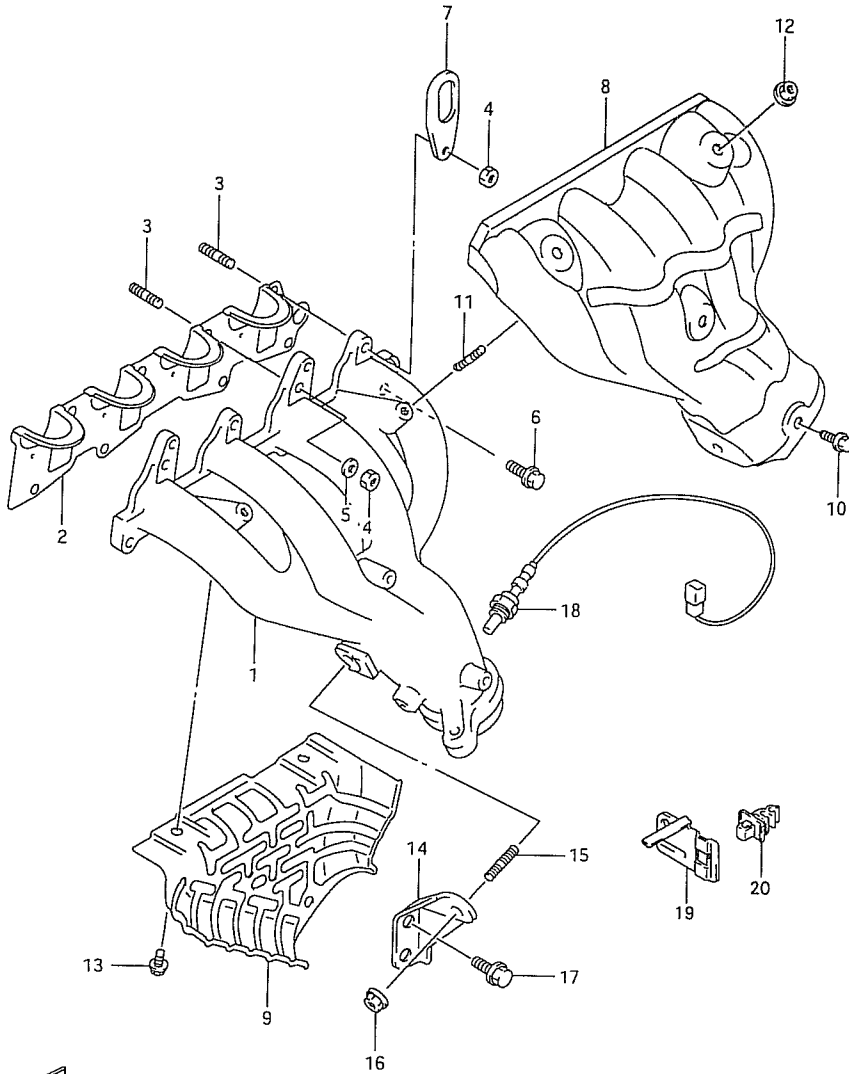


## FIG 25. AIR CLEANER (4 VALVE)

REF. NO.	PART NO.	DESCRIPTION	C	Q' TY	V	REMARKS
1	13700-58B00	CLEANER ASSY, AIR	1	1		
2	13780-58B00	.ELEMENT	1	1		
3	13813-58BT0	.GROMMET SET	3	3		
4	02112-16203	.SCREW	4	4		
5	13800-58B00	METER ASSY, AIR FLOW	1	1		
6	13809-58B00	PACKING	1	1		
7	02162-06163	BOLT	2	2		
8	02162-06253	BOLT	3	3		
9	13871-58B20	PIPE, AIR CLEANER INLET	1	1		
10	02162-06253	BOLT	1	1		
11	13873-57B00	JOINT, AIR SUCTION	1	1		
12	09320-08021	CUSHION	1	1		
13	09169-06065	SPACER	1	1		
14	13872-58B00	HOSE, AIR CLEANER INLET	1	1		
15	09402-82511	CLAMP	2	2		
16	13830-58B40	PIPE, AIR INTAKE	1	1		
17	01550-08253	BOLT	2	2		
18	13850-58B01	BRACKET, AIR INTAKE PIPE	1	1		
19	01550-06123	BOLT	1	1		
20	01550-08203	BOLT	2	2		
21	13820-56B40	CASE, AIR CLEANER SUCTION	1	1		
22	13829-56B01	CLAMP, SUCTION CASE NO.2	2	2		
23	08316-20063	NUT	4	4		
24	13887-58B00	FLAP, AIR CLEANER SIDE	1	1		
25	09409-10301-5ES	CLIP (BLACK)	2	2		
26	13760-56B01	RESONATOR	1	1		
27	13765-56B01	CUSHION, RESONATOR	1	1		
28	13766-56B00	CUSHION, RESONATOR	1	1		
29	13767-56B00	JOINT, RESONATOR	1	1		
30	09116-06155	BOLT (6X35)	1	1		
31	09180A08129	SPACER	1	1		

# FIG. 26

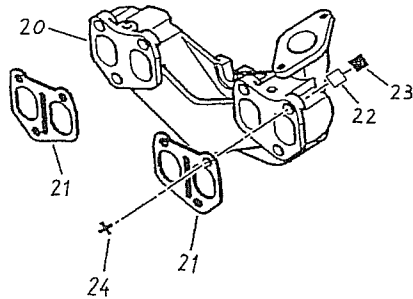
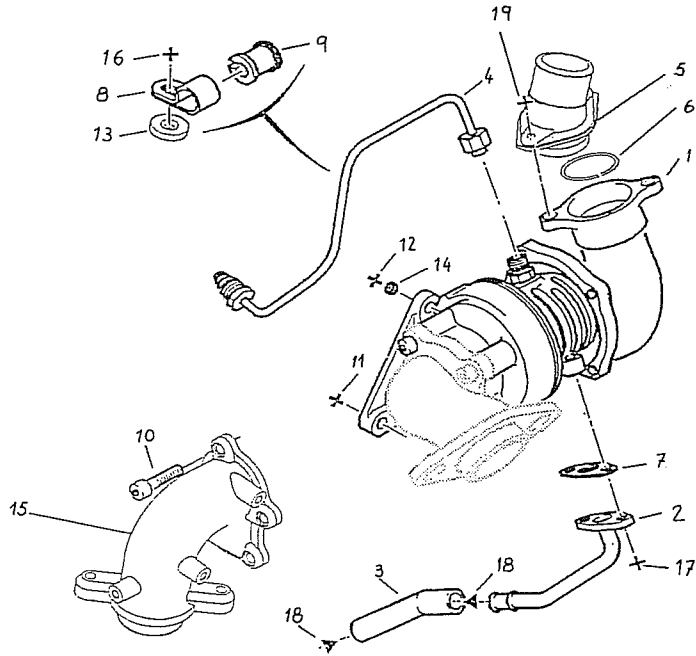
## FIG 26. EXHAUST MANIFOLD (2 VALVE: W/FUEL INJECTION)



REF. NO.	PART NO.	DESCRIPTION	Q' TY		REMARKS
			C	V	
1	14111-58B20	MANIFOLD, EXHAUST	1	1	
2	14140-85C00	GASKET, EXHAUST MANIFOLD	1	1	
3	13117-60B00	STUD BOLT	7	7	
4	08310-10083	NUT	7	7	
5	08322-01083	WASHER	6	6	
6	01550-08353	BOLT	1	1	
7	11851-62B00	HOOK, ENGINE	1	1	
8	14120-58B20	COVER, MANIFOLD UPPER	1	1	
9	14131-58B20	COVER, MANIFOLD LOWER	1	1	
10	09103-06168	BOLT (6X10)	3	3	
11	01411-06123	STUD BOLT	2	2	
12	08316-20063	NUT	2	2	
13	09103-06168	BOLT (6X10)	3	3	
14	14270-58B00	STIFFENER, MANIFOLD	1	1	
15	01411-10163	STUD BOLT	1	1	
16	08316-10103	NUT	1	1	
17	01550-10203	BOLT	2	2	
18	18213-58B20	SENSOR, OXYGEN	1	1	
19	18214-58B10	BRACKET, SENSOR	1	1	
20	18214-57B00	CLAMP	1	1	



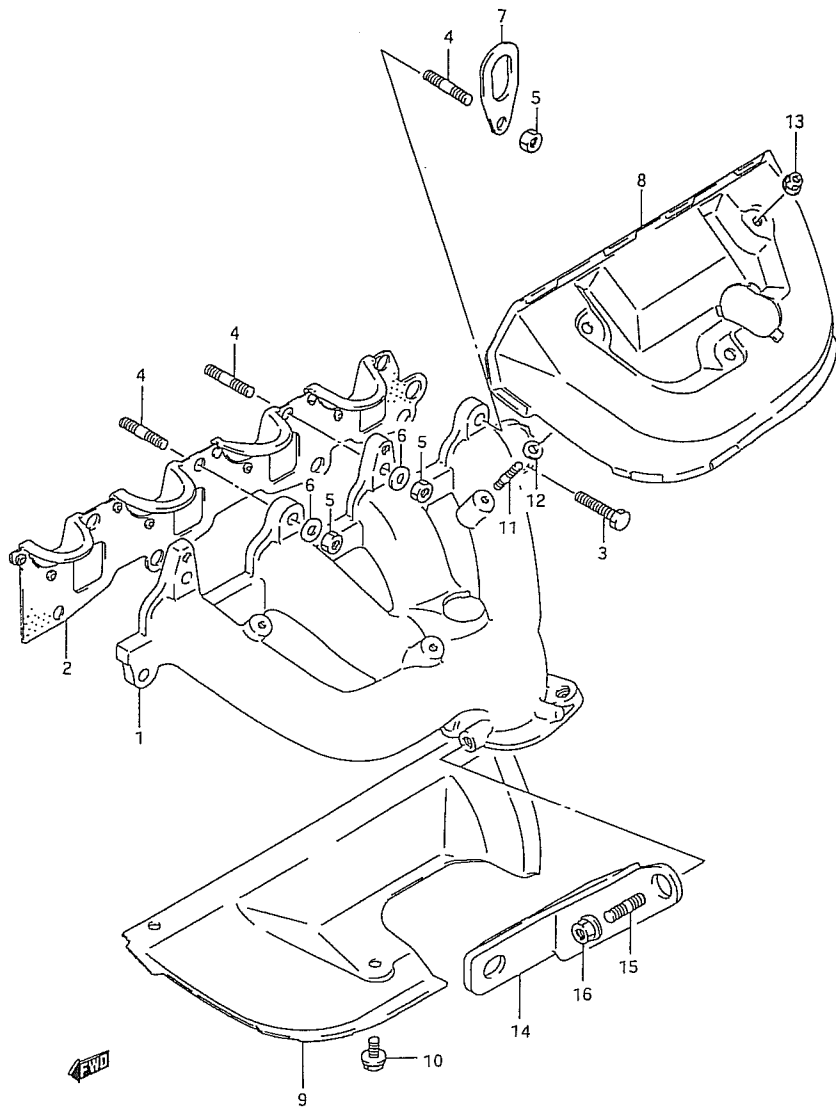
# FIG. 26A



## FIG 26A. EXHAUST MANIFOLD AND TURBOCHARGE 1.9 TD

REF. NO.	PART NO.	DESCRIPTION	Q' TY		REMARKS
			C	V	
1	13900-86CB0	TURBO CHARGE	1	1	WITH PSA. ELBOW
2	13941-86CB0	OIL RETURN PIPE	1	1	
3	13975-86CB0	OIL RETURN HOSE	1	1	
4	13942-86CB0	OIL PIPE	1	1	
5	13966-86CB0	AIR OUTLET ELBOW	1	1	
6	14141-86CB0	O RING	2	2	
7	13945-86CB0	GASKET	1	1	
8	09401-86CB1	RING BRACKET	1	1	8x16-22
9	M9168-86CB0	RING	1	1	
10	M1500-86CB0	SCREW CHC	4	4	8x125-25
11	M9360-86CB0	SCREW H	2	2	10x150-27
12	M9103-86CB2	SCREW H	1	1	10x150-32
13	13985-86CB0	SPACER	1	1	16x5-4
14	M9168-86CB1	FLAT WASHER	1	1	22x10.5-7
15	14115-86CA1	ELBOW	1	1	
16	01550-86CB0	SET METAL SCREW	1	1	4.8-9.5
17	M9103-86CB1	SCREW CHCRDL	2	2	6x100-20
18	M9401-86CB0	CLAMP	2	2	22x35
19	11119-86CA7	SCREW HRDL	2	2	6x100-25
20	14111-86CB0	EXHAUST MANIFOLD	1	1	
21	14141-86CA0	GASKET	2	2	
22	13985-86CB1	SPACER	6	6	8.2x18-44
23	M8316-86CA2	NUT	6	6	8x125
24	M1421-86CB2	STUD	6	6	8x125

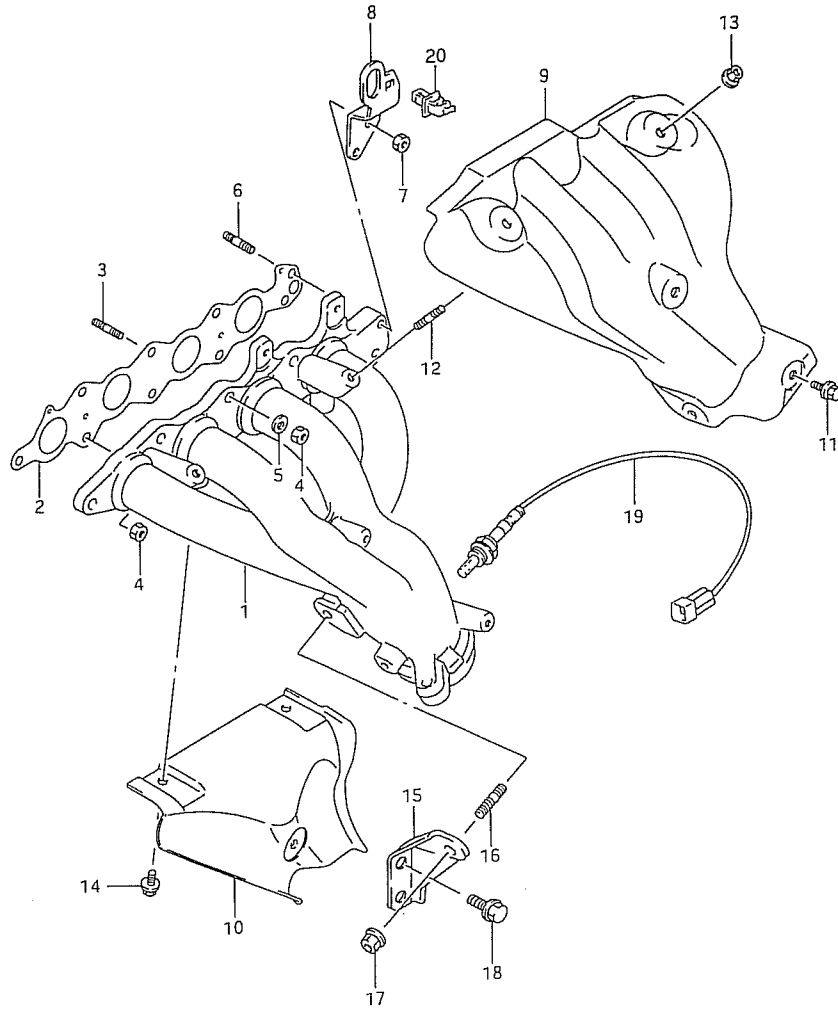
# FIG. 27



## FIG 27. EXHAUST MANIFOLD (2 VALVE: W/CARBURETOR)

REF. NO.	PART NO.	DESCRIPTION	Q' TY		REMARKS
			C	V	
1	14111-60X51	MANIFOLD, EXHAUST	1	1	
2	14140-85C00	GASKET, EXHAUST MANIFOLD	1	1	
3	01550-08353	BOLT	1	1	
4	13117-60B00	STUD BOLT	7	7	
5	08310-10083	NUT	7	7	
6	08322-01083	WASHER	6	6	
7	11851-62B00	HOOK, ENGINE	1	1	
8	14120-60A00	COVER, MANIFOLD UPPER	1	1	
9	14130-85C00	COVER, MANIFOLD LOWER	1	1	
10	09103-06168	BOLT (6X10)	3	3	
11	01411-06123	STUD BOLT	3	3	
12	09160-84C00	WASHER	3	3	
13	08316-20063	NUT	3	3	
14	14190-60A01	STIFFNER, MANIFOLD	1	1	
15	01411-10163	STUD BOLT	1	1	
16	08316-10103	NUT	1	1	

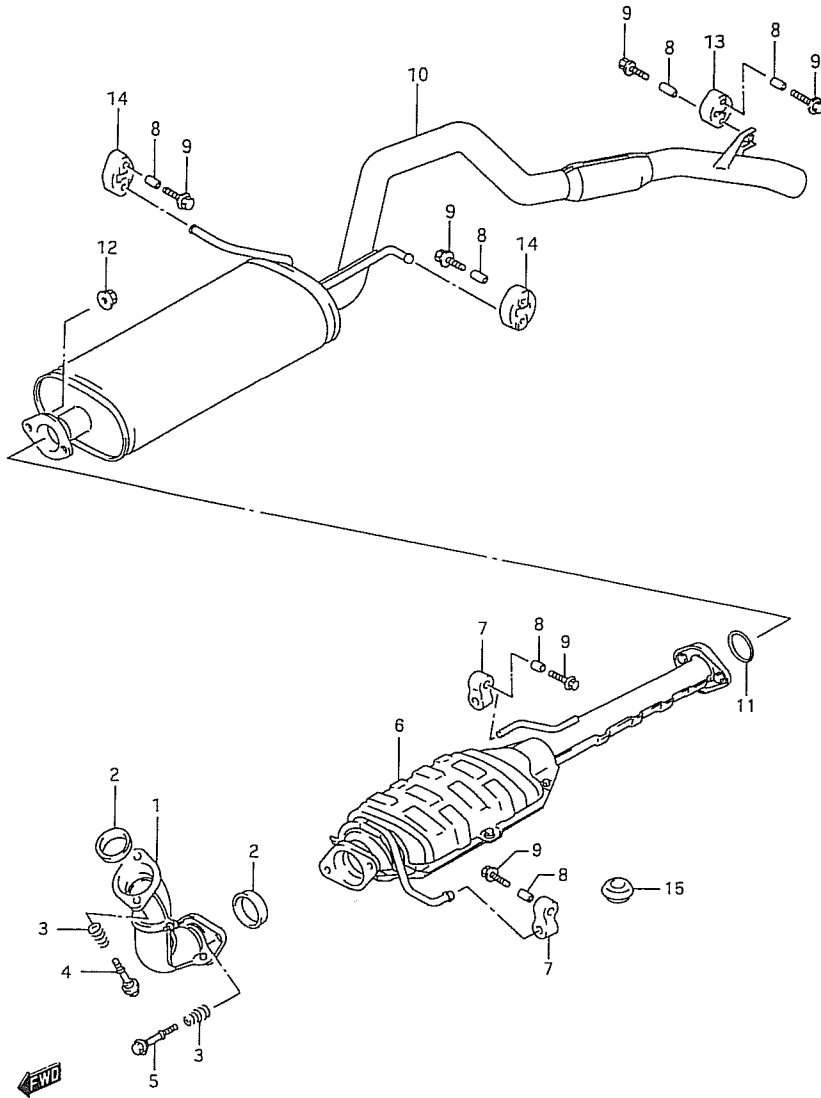
# FIG. 28



## FIG 28. EXHAUST MANIFOLD (4 VALVE)

REF. NO.	PART NO.	DESCRIPTION	Q' TY		REMARKS
			C	V	
1	14111-58B00	MANIFOLD, EXHAUST	1	1	
2	14140-58B01	GASKET, EXHAUST MANIFOLD	1	1	
3	13117-60B00	STUD BOLT	7	7	
4	08310-10083	NUT	7	7	
5	08322-01083	WASHER	6	6	
6	01421-08353	STUD BOLT	2	2	
7	08310-10083	NUT	2	2	
8-1	11851-57B02	HOOK, ENGINE	1	1	W/OXYGEN SENSOR
8-2	11852-57B01	HOOK, ENGINE	1	1	N/OXYGEN SENSOR
9	14120-58B01	COVER, MANIFOLD UPPER	1	1	
10	14130-58B00	COVER, MANIFOLD LOWER	1	1	
11	09103-06168	BOLT (6X10)	3	3	
12	01411-06123	STUD BOLT	2	2	
13	08316-20063	NUT	2	2	
14	09103-06168	BOLT (6X10)	3	3	
15	14270-58B00	STIFFENER, MANIFOLD	1	1	
16	01411-10163	STUD BOLT	1	1	
17	08316-10103	NUT	1	1	
18	01550-10203	BOLT	2	2	
19	18213-58B20	SENSOR, OXYGEN	1	1	
20	18214-57B00	CLAMP	1	1	

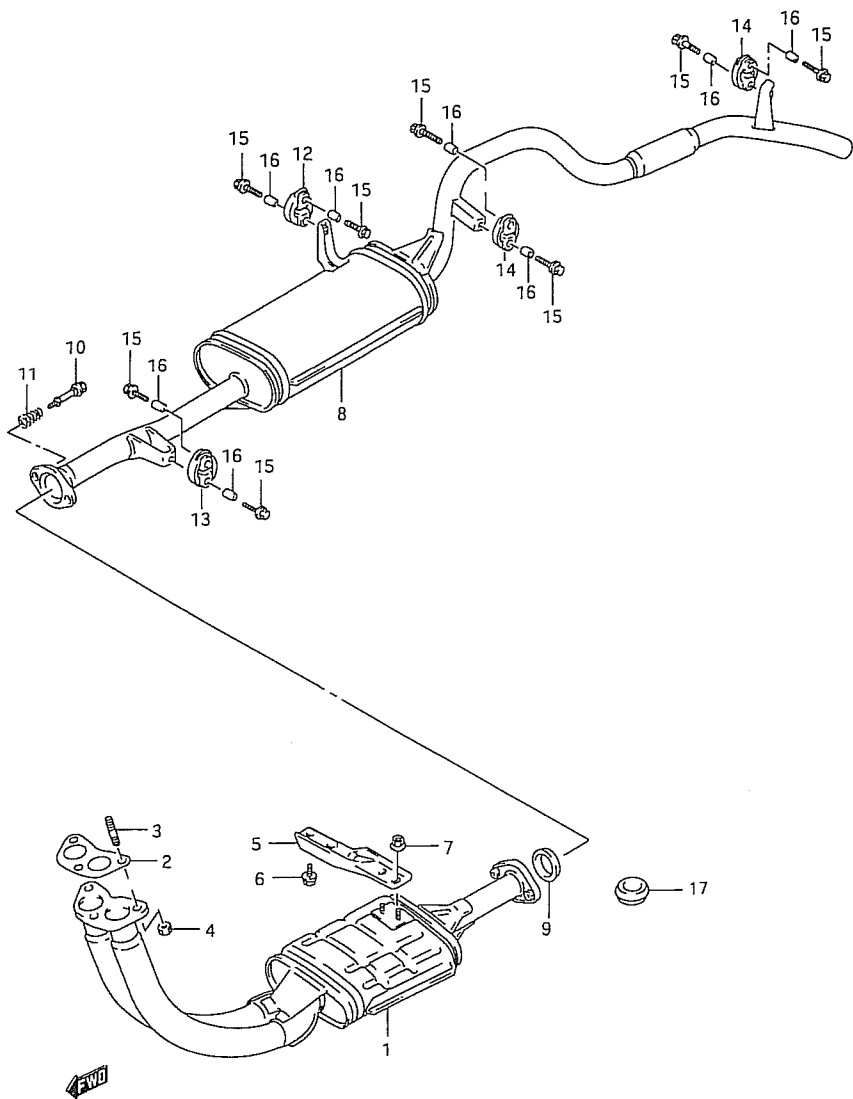
# FIG. 29



## FIG 29. MUFFLER (2 VALVE: W/FUEL INJECTION)

REF. NO.	PART NO.	DESCRIPTION	Q' TY		REMARKS
			C	V	
1-1	14190-58B02	PIPE, EXHAUST NO.1	1	1	MY97,
1-2	14190-85C10	PIPE, EXHAUST NO.1	1	1	MY98,
1-3	14190-86CB0	PIPE, EXHAUST NO.1	1	1	1.9 TD
2	14183-58B02	RING, SEAL	2	2	
3	14492-85C00	SPRING	4	4	
4	09119-10041	BOLT	2	2	
5	14493-85C00	BOLT	2	2	
6-1	14250-58B01	PIPE, EXHAUST NO.2	1	1	
6-2	14250-86CB0	PIPE, EXHAUST NO.2	1	1	1.9 TD
7	14281-71C00	MOUNTING, MUFFLER	2	2	
8	09180A08129	SPACER (8.2X12.5X23.5)	6	6	
9	01550-08353	BOLT	6	6	
10-1	14300-58B11	MUFFLER	1	1	MY97,
10-2	14300-85C10	MUFFLER	1	1	MY98,
10-3	14300-86CA0	MUFFLER	1	1	3 DOOR:1.9 TD
10-4	14300-86CB0	MUFFLER	1	1	5 DOOR:1.9 TD
11	14182-58B10	GASKET, MUFFLER	1	1	
12	14494-85C00	NUT	2	2	
13	14281-85C00	MOUNTING, MUFFLER	1	1	
14	14281-58B00	MOUNTING, MUFFLER	2	2	
15	09250-25007	CAP	1	1	

# FIG. 30

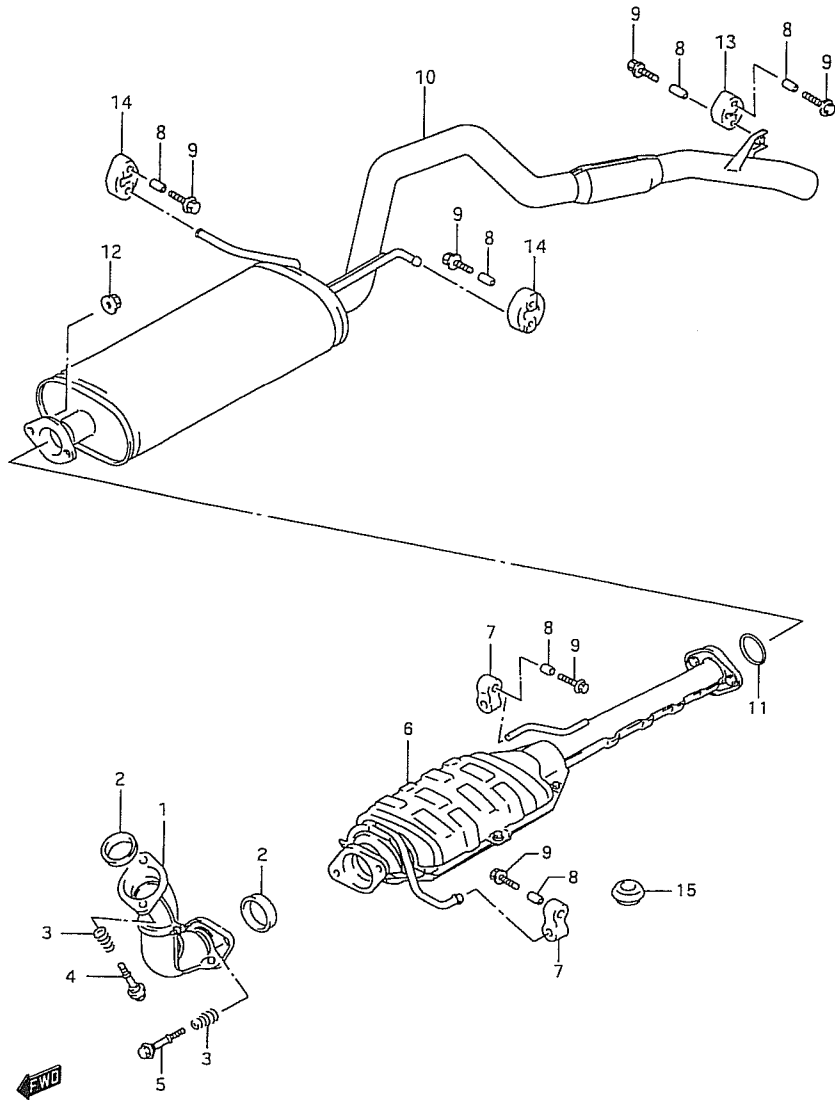


## FIG 30. MUFFLER (2 VALVE: W/CARBURETOR)

REF. NO.	PART NO.	DESCRIPTION	C	Q' TY	V	REMARKS
1	14150-60A10	PIPE, EXHAUST CENTER	1	1		
2	14181-85C00	GASKET, EXHAUST MANIFOLD	1	1		
3	09108-10122	STUD BOLT	3	3		
4	09159-10098	NUT	3	3		
5	14284-57B00	BRACKET, CENTER PIPE	1	1		
6	01560-10203	BOLT	2	2		
7	08316-10103	NUT	2	2		
8	14300-85C00	MUFFLER	1	1		
9	14183-60A11	RING, MUFFLER SEAL	1	1		
10	14493-85C00	BOLT	2	2		
11	14492-85C00	SPRING	2	2		
12	14281-85C00	MOUNTING, MUFFLER	1	1		
13	14281-60B00	MOUNTING, MUFFLER	1	1		
14	14281-85C00	MOUNTING, MUFFLER	2	2		
15	01550-08353	BOLT	8	8		
16	09180A08129	SPACER (8.2X12.5X23.5)	8	8		
17	09250-25007	CAP	1	1		



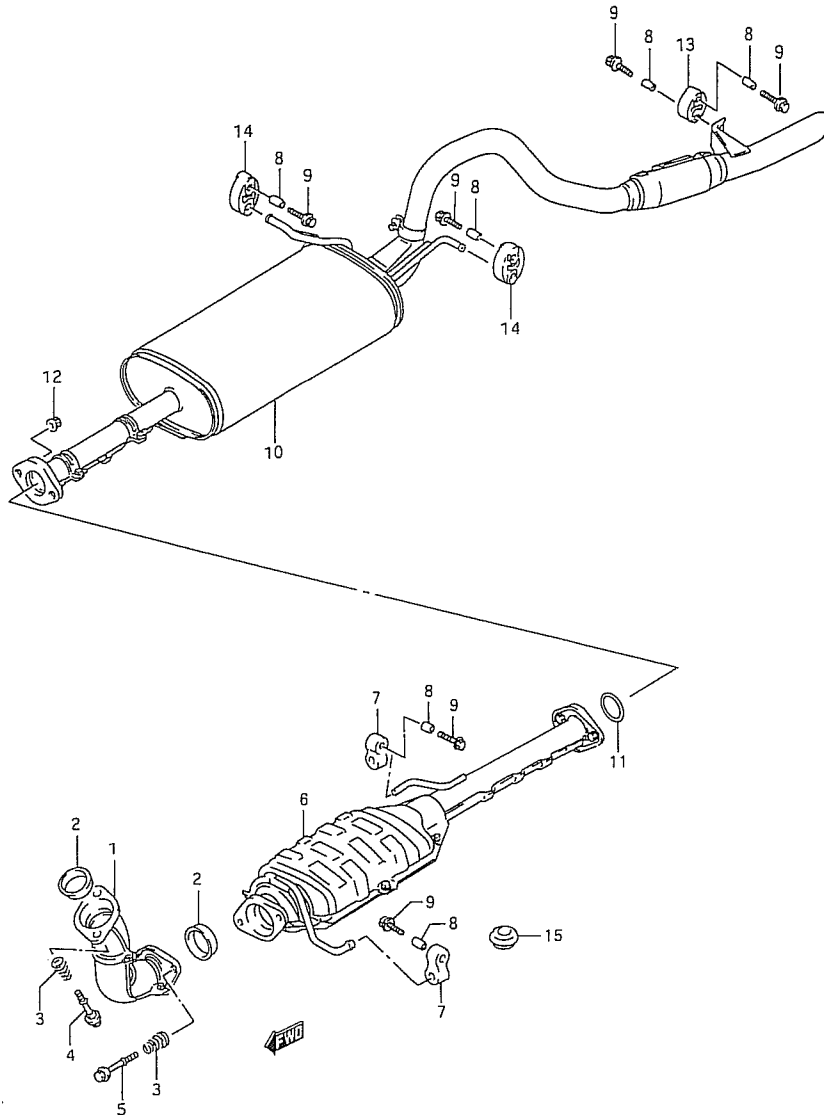
# FIG. 31



## FIG 31. MUFFLER (4 VALVE: 3DR)

REF. NO.	PART NO.	DESCRIPTION	Q' TY		REMARKS
			C	V	
1-1	14190-58B02	PIPE, EXHAUST NO.1	1	1	MY97,
1-2	14190-85C10	PIPE, EXHAUST NO.1	1	1	MY98,
2	14183-58B02	RING, SEAL	2	2	
3	14492-85C00	SPRING	4	4	
4	09119-10041	BOLT (10X65)	2	2	
5	14493-85C00	BOLT	2	2	
6	14250-58B01	PIPE, EXHAUST NO.2	1	1	
7	14281-71C00	MOUNTING, MUFFLER	2	2	
8	09180A08129	SPACER (8.2X12.5X23.5)	6	6	
9	01550-08353	BOLT	6	6	
10-1	14300-58B11	MUFFLER	1	1	MY97,
10-2	14300-85C10	MUFFLER	1	1	MY98,
11	14182-58B10	GASKET, MUFFLER	1	1	
12	14494-85C00	NUT	2	2	
13	14281-85C00	MOUNTING, MUFFLER	1	1	
14	14281-58B00	MOUNTING, MUFFLER	2	2	
15	09250-25007	CAP	1	1	

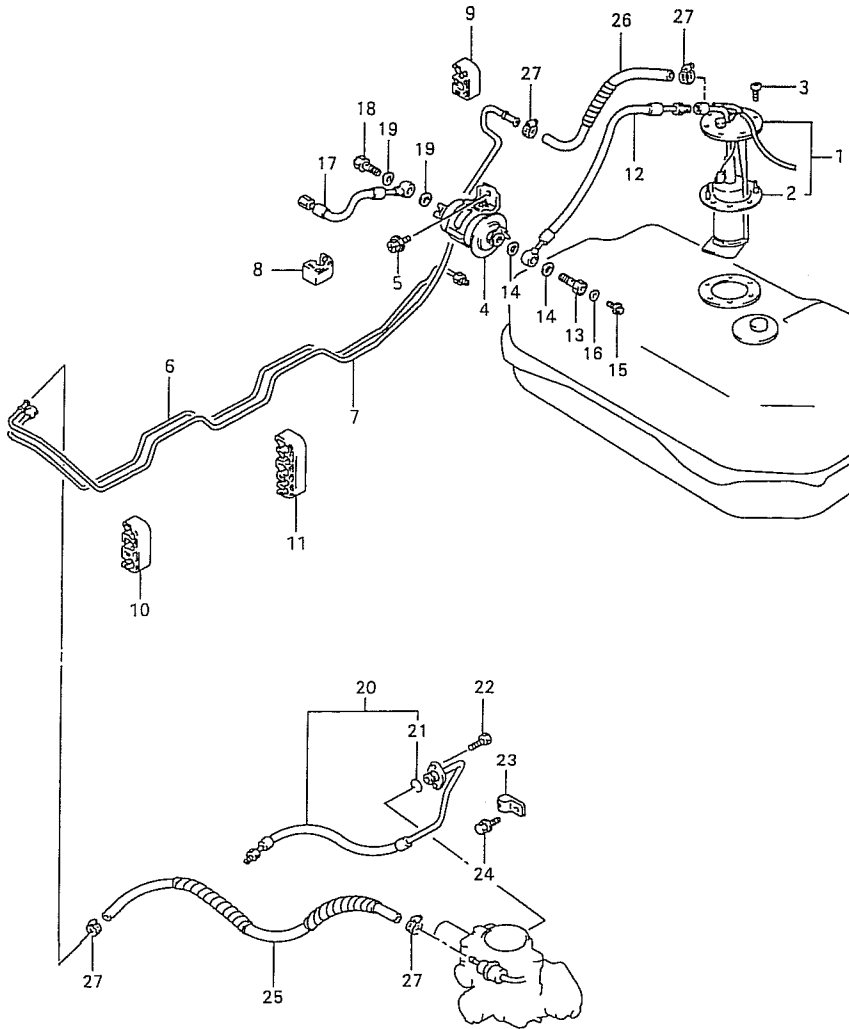
# FIG. 32



## FIG 32. MUFFLER (4 VALVE: 5DR)

REF. NO.	PART NO.	DESCRIPTION	QTY		REMARKS
			C	V	
1	14190-58B02	PIPE, EXHAUST NO.1		1	
2	14183-58B02	RING, SEAL		2	
3	14492-85C00	SPRING		4	
4	09119-10041	BOLT (10X65)		2	
5	14493-85C00	BOLT		2	
6-1	14250-58B01	PIPE, EXHAUST NO.2		1	
6-2	14250-58B30	PIPE, EXHAUST NO.2		1	MY98:E21
7	14281-71C00	MOUNTING, MUFFLER		2	
8	09180A08129	SPACER (8.2X12.5X23.5)		6	
9	01550-08353	BOLT		6	
10-1	14300-77EA1	MUFFLER		1	MY97,
10-2	14300-85C20	MUFFLER		1	MY98,
11	14182-58B10	GASKET, MUFFLER		1	
12	14494-85C00	NUT		2	
13	14281-85C00	MOUNTING, MUFFLER		1	
14	14281-58B00	MOUNTING, MUFFLER		2	
15	09250-25007	CAP		1	

# FIG. 33

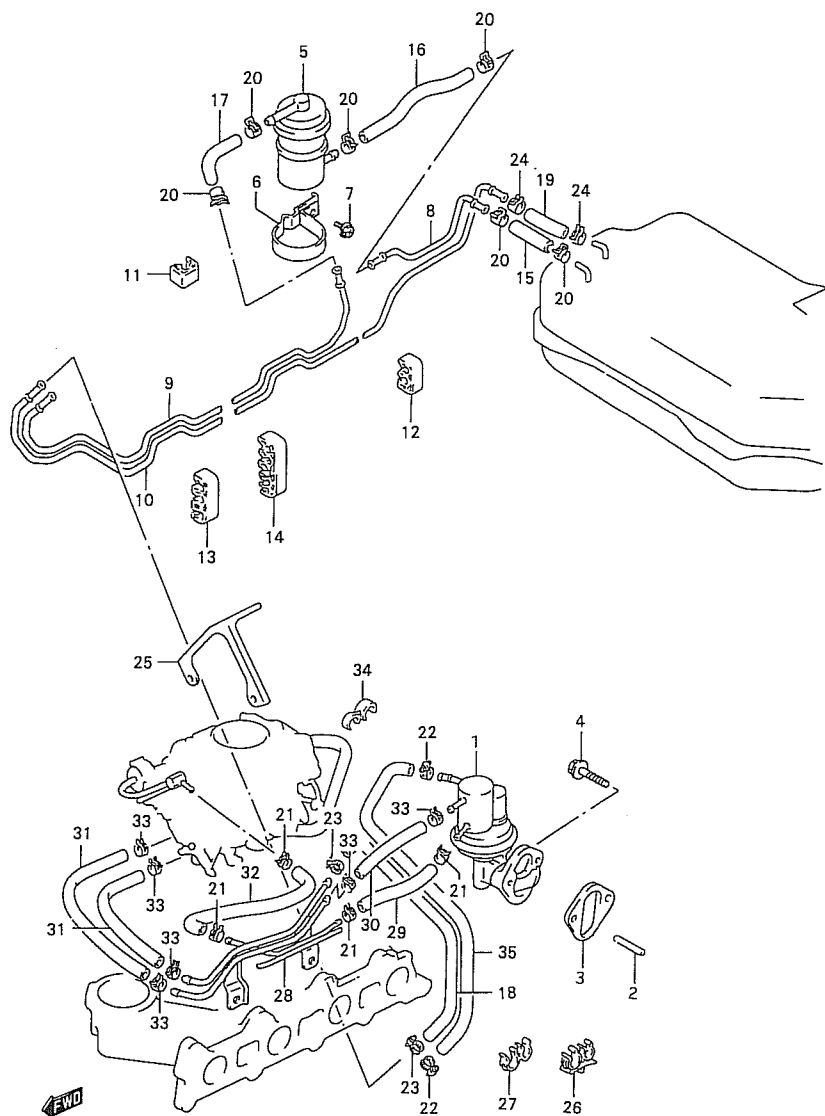


## FIG 33. FUEL PUMP (2 VALVE: W/FUEL INJECTION)

REF. NO.	PART NO.	DESCRIPTION	QTY		REMARKS
			C	V	
1	15100-61A02	PUMP ASSY, FUEL	1	1	
2	15111-61A00	.GASKET, FUEL PUMP	1	1	
3	15329-85C00	SCREW	6	6	
4-1	15410-61A00	FILTER, FUEL	1	1	PETROL
4-2	15410-86CA0	FILTER, FUEL	1	1	1.9 TD
5	01550-06123	BOLT	2	2	
6-1	15820-61A22	PIPE, FUEL	1	1	PETROL
6-2	15820-86CA0	PIPE, FUEL	1	1	1.9 T.DIESEL:3 DOOR
6-3	15820-86CB0	PIPE, FUEL	1	1	1.9 T.DIESEL:5 DOOR
7-1	15861-60A20	PIPE, FUEL RETURN	1	1	PETROL
7-2	15861-86CA0	PIPE, FUEL RETURN	1	1	1.9 T.DIESEL:3 DOOR
7-3	15861-86CB0	PIPE, FUEL RETURN	1	1	1.9 T.DIESEL:5 DOOR
8	15891-60A11	CLAMP, FUEL PIPE	1	1	
9	15892-60A11	CLAMP, FUEL PIPE	3	3	
10	15893-60A11	CLAMP, FUEL PIPE	3	3	
11	15895-60A11	CLAMP, FUEL PIPE	4	4	
12	15810-61A01	HOSE, FUEL TANK TO FILTER	1	1	
13	13923-85551	BOLT, FUEL UNION	1	1	
14	13925-85553	GASKET, UNION BOLT	2	2	
15	13924-85550	PLUG, UNION	1	1	
16	09168-06023	GASKET	1	1	
17	15840-61A01	HOSE, FULTER TO PIPE	1	1	
18	13921-85552	BOLT, FUEL UNION	1	1	
19	13925-85553	GASKET, UNION BOLT	2	2	
20-1	15830-61A00	HOSE, PIPE TO THROTTLE BODY	1	1	PETROL
20-2	15870-86CA1	HOSE, PIPE FUEL RET.TO PIPE COM	1	1	1.9 T. DIESEL
21	15710-09300	.O RING	1	1	
22	01570-06163	BOLT	1	2	
23	09403-08404	CLAMP, HOSE	1	1	
24	01550-06123	BOLT	1	1	
25	15870-61A00	HOSE, BODY TO RETURN PIPE	1	1	
26	15850-77X50	HOSE, RETURN PIPE TO TANK	1	1	L:440>360
27	15899-85C00	CLAMP, HOSE	4	4	



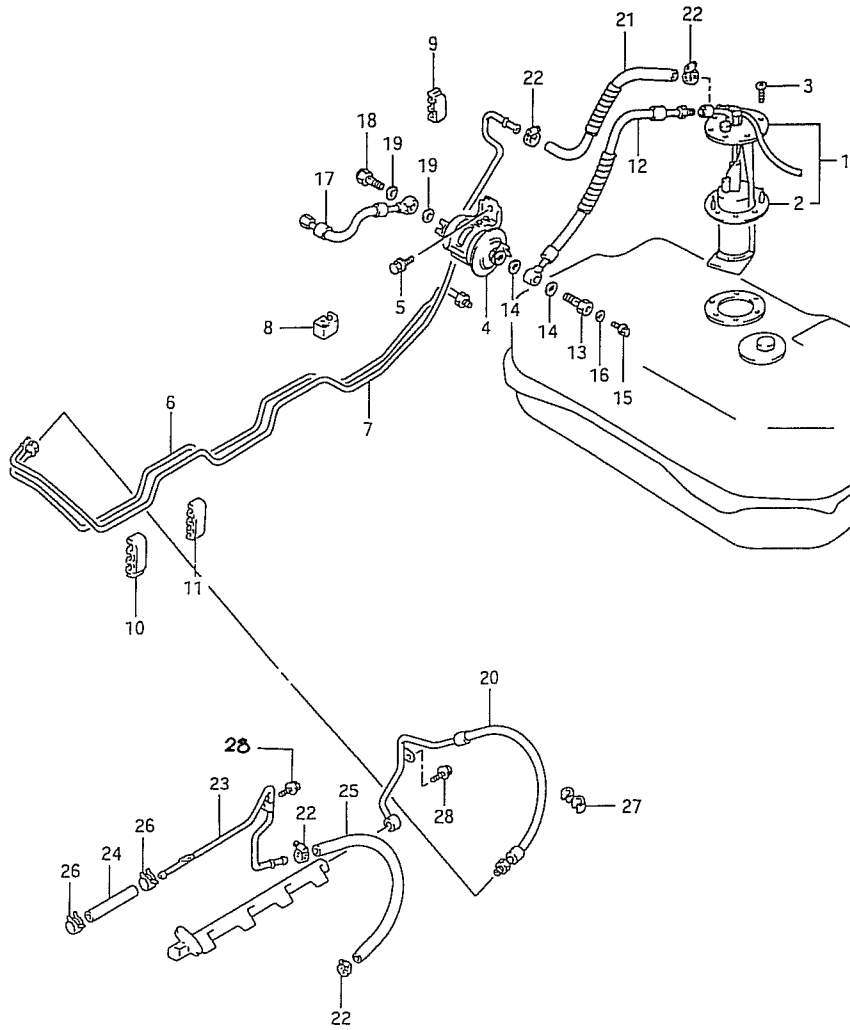
# FIG. 34



# FIG 34. FUEL PUMP (2 VALVE: W/CARBURETOR)

REF. NO.	PART NO.	DESCRIPTION	C	Q' TY	V	REMARKS
1	15100A60A01	PUMP ASSY, FUEL	1	1		
2	15315-82000	ROD, FUEL PUMP	1	1		
3	15318-60A01	INSULATOR, FUEL PUMP	1	1		
4	01550-08353	BOLT	2	2		
5	15410-80000	FILTER, FUEL	1	1		
6	09403-51407	CLAMP, FUEL FILTER	1	1		
7	01550-06123	BOLT	1	1		
8	15811-60A10	PIPE, FUEL TANK TO FILTER	1	1		
9	15821-60A21	PIPE, FUEL FILTER TO PUMP	1	1		
10	15861-60A20	PIPE, FUEL RETURN	1	1		
11	15891-60A11	CLAMP, FUEL PIPE	1	1		
12	15892-60A11	CLAMP, FUEL PIPE	1	1		
13	15893-60A11	CLAMP, FUEL PIPE	5	5		
14	15895-60A11	CLAMP, FUEL PIPE	4	4		
15	09356-76145-600	HOSE, TANK TO PIPE	1	1		L:600>120
16	09356-76145-600	HOSE, PIPE TO FILTER	1	1		L:600>130
17-1	09356-76145-600	HOSE, FILTER TO PIPE	1	1		MY97:L:600>120
17-2	15840-58B00	HOSE, FILTER TO PIPE	1	1		MY98
18	09356-58125-00B	HOSE, PUMP TO PIPE	1	1		L:2000>690
19	09356-58127-600	HOSE, PUMP TO PIPE	1	1		MY98:L:600>100 ; MY97:L:6
20	09401-12407	CLIP, HOSE	6	6		
21	09401-10411	CLIP, HOSE	4	4		
22	09402-15511	CLAMP, HOSE	2	2		
23	15899-85C00	CLAMP, HOSE	2	2		
24	09401-11407	CLIP, HOSE	2	2		
25	15881-60A00	BRACKET, HOSE CLAMP	1	1		
26	09403-13308	CLAMP, HOSE	1	1		
27	18119-85C20	CLAMP, HOSE	2	2		
28	15880-60A00	PIPE, FUEL	1	1		
29	09354-40805-600	HOSE, FUEL	1	1		L:600>100
30	09356-58127-600	HOSE, FUEL RETURN	1	1		L:600>90
31	09356-58127-600	HOSE, FUEL RETURN	2	2		L:600>110
32	09354-40805-600	HOSE, FUEL	1	1		L:600>160
33	18119-85C10	CLIP, HOSE	6	6		
34	09408A00121	CLAMP	1	1		
35	09356-76145-00B	HOSE, PUMP TO PIPE	1	1		L:2000>550

# FIG. 35

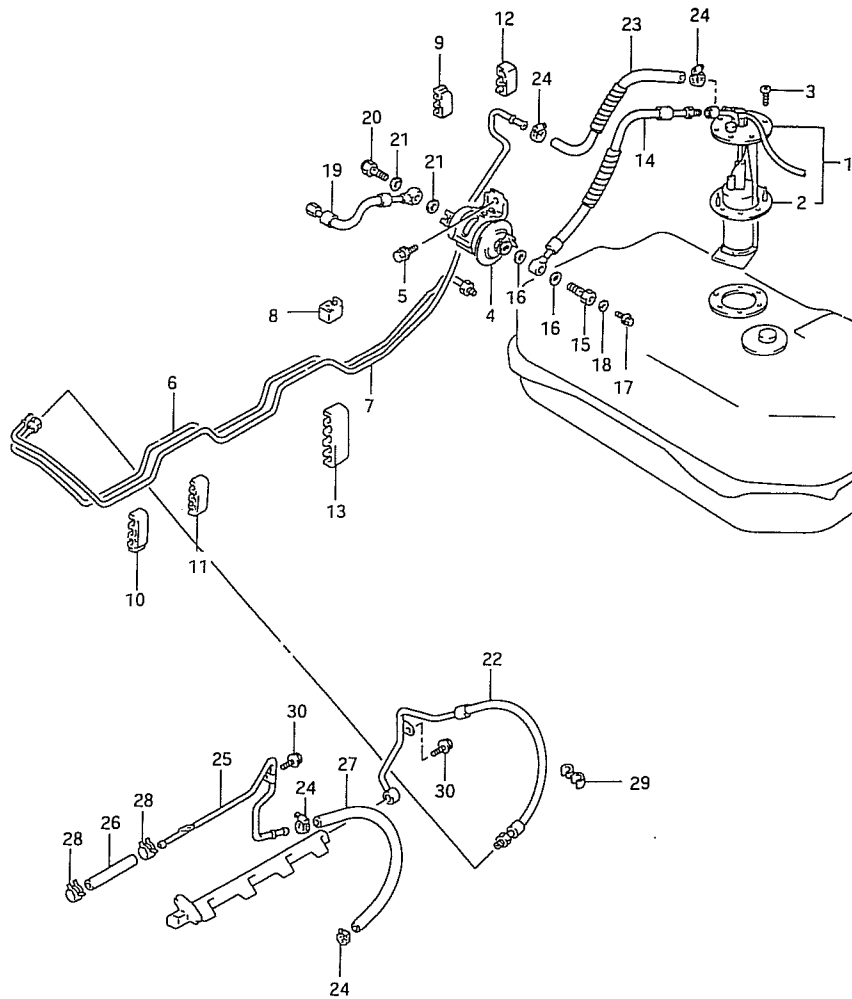


## FIG 35. FUEL PUMP (4 VALVE: 3DR)

REF. NO.	PART NO.	DESCRIPTION	Q' TY		REMARKS
			C	V	
1	15100-61A02	PUMP ASSY, FUEL	1	1	
2	15111-61A00	.GASKET, FUEL PUMP	1	1	
3	15329-85C00	SCREW	6	6	
4	15410-61A00	FILTER, FUEL	1	1	
5	01550-06123	BOLT	2	2	
6	15820-61A22	PIPE, FUEL	1	1	
7	15861-60A20	PIPE, FUEL RETURN	1	1	
8	15891-60A11	CLAMP, FUEL PIPE	1	1	
9	15892-60A11	CLAMP, FUEL PIPE	3	3	
10	15893-60A11	CLAMP, FUEL PIPE	3	3	
11	15895-60A11	CLAMP, FUEL PIPE	4	4	
12	15810-61A01	HOSE, FUEL	1	1	
13	13923-85551	BOLT, UNION	1	1	
14	13925-85553	GASKET, UNION BOLT	2	2	
15	13924-85550	PLUG, UNION BOLT	1	1	
16	09168-06023	GASKET (5.8X13X1.2)	1	1	
17	15840-61A01	HOSE, FUEL FILTER OUTLET	1	1	
18	13921-85552	BOLT, UNION FUEL FILTER	1	1	
19	13925-85553	GASKET, UNION BOLT	2	2	
20	15830-58B00	HOSE, FUEL	1	1	
21	15850-77X50	HOSE, RETURN	1	1	L:440>360
22	15899-85C00	CLAMP	4	4	
23	15850-57B01	PIPE, FUEL RETURN	1	1	
24	09356-55117-600	HOSE	1	1	L:600>65
25	09356-58127-600	HOSE	1	1	L:600>260
26-1	09401-11411	CLIP	2	2	MY97
26-2	15899-85C00	CLIP	2	2	MY98
27	09408A00121	CLAMP	1	1	
28	01550-06123	BOLT	2	2	



# FIG. 36

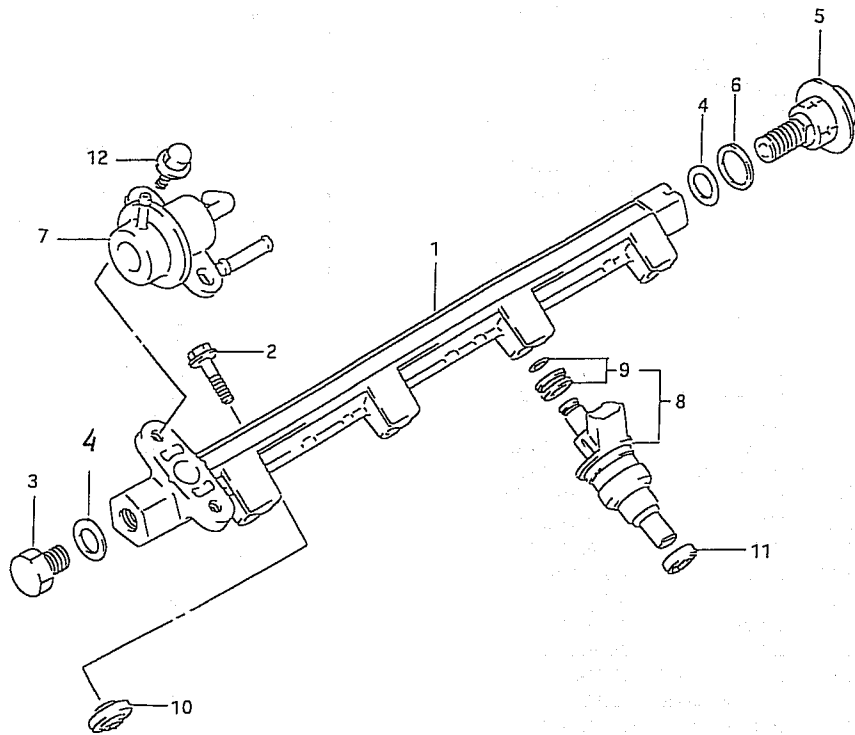


## FIG 36. FUEL PUMP (4 VALVE: 5DR)

REF. NO.	PART NO.	DESCRIPTION	Q' TY		REMARKS
			C	V	
1	15100-57B20	PUMP ASSY, FUEL		1	
2	15111-61A00	.GASKET, FUEL PUMP		1	
3	15329-85C00	SCREW		6	
4	15410-61A00	FILTER, FUEL		1	
5	01550-06123	BOLT		2	
6	15820-57B01	PIPE, FUEL		1	
7	15861-57B00	PIPE, FUEL RETURN		1	
8	15891-60A11	CLAMP, FUEL PIPE		1	
9	15892-60A11	CLAMP, FUEL PIPE		2	
10	15893-60A11	CLAMP, FUEL PIPE		3	
11	15895-60A11	CLAMP, FUEL PIPE		4	
12	15893-56B00	CLAMP, FUEL PIPE		1	
13	15895-56B11	CLAMP, FUEL PIPE		1	
14	15810-57B00	HOSE, FUEL		1	
15	13923-85551	BOLT, UNION		1	
16	13925-85553	GASKET, UNION BOLT		2	
17	13924-85550	PLUG, UNION BOLT		1	
18	09168-06023	GASKET (5.8X13X1.2)		1	
19	15840-61A01	HOSE, FUEL FILTER OUTLET		1	
20	13921-85552	BOLT, UNION FUEL FILTER		1	
21	13925-85553	GASKET, UNION BOLT		2	
22	15830-58B00	HOSE, FUEL		1	
23	15850-77X50	HOSE, RETURN		1	L:440>410
24	15899-85C00	CLAMP		4	
25	15850-57B01	PIPE, FUEL RETURN		1	
26	09356-55117-600	HOSE		1	L:600>65
27	09356-58127-600	HOSE		1	L:600>260
28-1	09401-11411	CLIP		2	MY97
28-2	15899-85C00	CLIP		2	MY98
29-1	09408A00121	CLAMP		1	MY97
29-2	15899-85C00	CLAMP		1	MY98
30	01550-06123	BOLT		2	



# FIG. 37

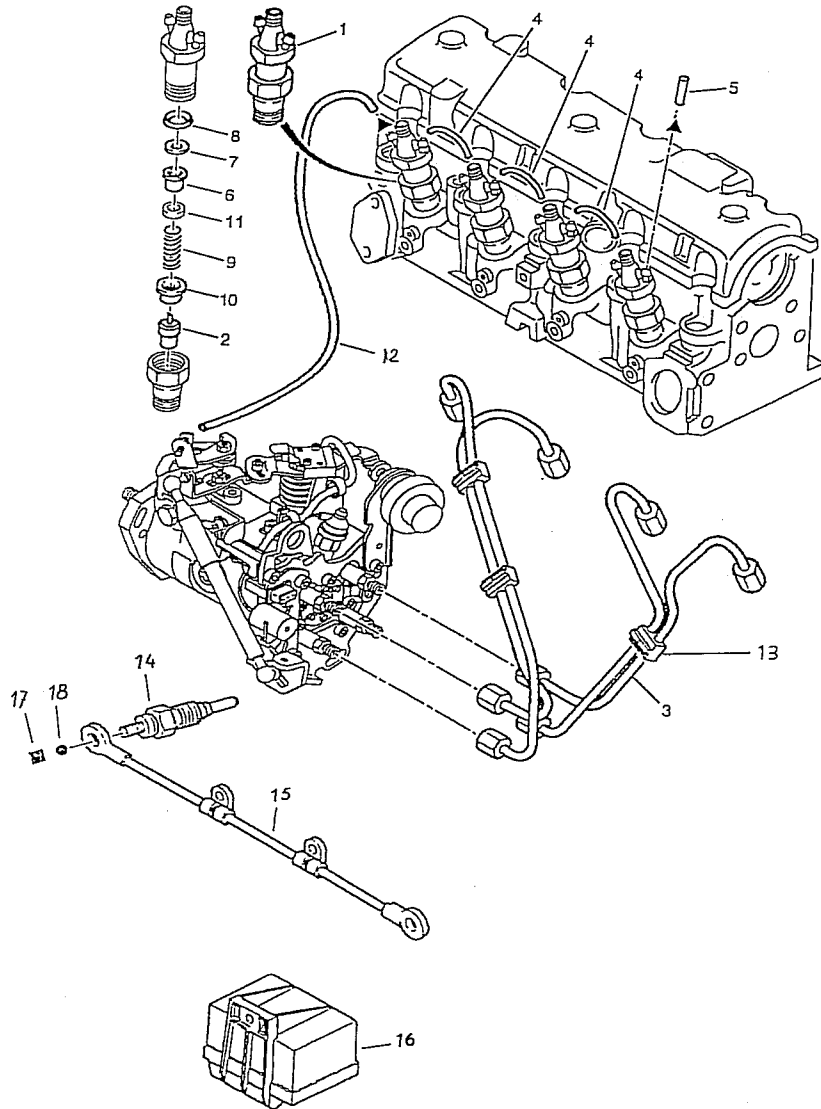


## FIG 37. DELIVERY PIPE (4 VALVE)

REF. NO.	PART NO.	DESCRIPTION	C	Q' TY	V	REMARKS
1-1	15731-57B00	PIPE, DELIVERY	1	1		-VSEETV02C01204074; 1-1=1
1-2	15731-57B01	PIPE, DELIVERY	1	1		VSEETV02C01204075-;
2	01550-08453	BOLT	3	3		
3	09247-14029	PLUG	1	1		
4	15762-61B00	GASKET (14X19X0.84)	2	2		
5	15750-82400	DAMPER ASSY, PULSATION	1	1		
6	15763-61B00	GASKET (17X22X0.84)	1	1		
7	15160-58B00	REGULATOR, PRESSURE	1	1		
8	15710-58B00	INJECTOR ASSY, FUEL	4	4		
9	15716-58B00	GROMMET SET	4	4		
10	15735-58B00	INSULATOR, DELIVERY	3	3		
11	09320-08062	CUSHION	4	4		
12	09103-06168	BOLT (6X10)	2	2		

FWP

# FIG. 37A

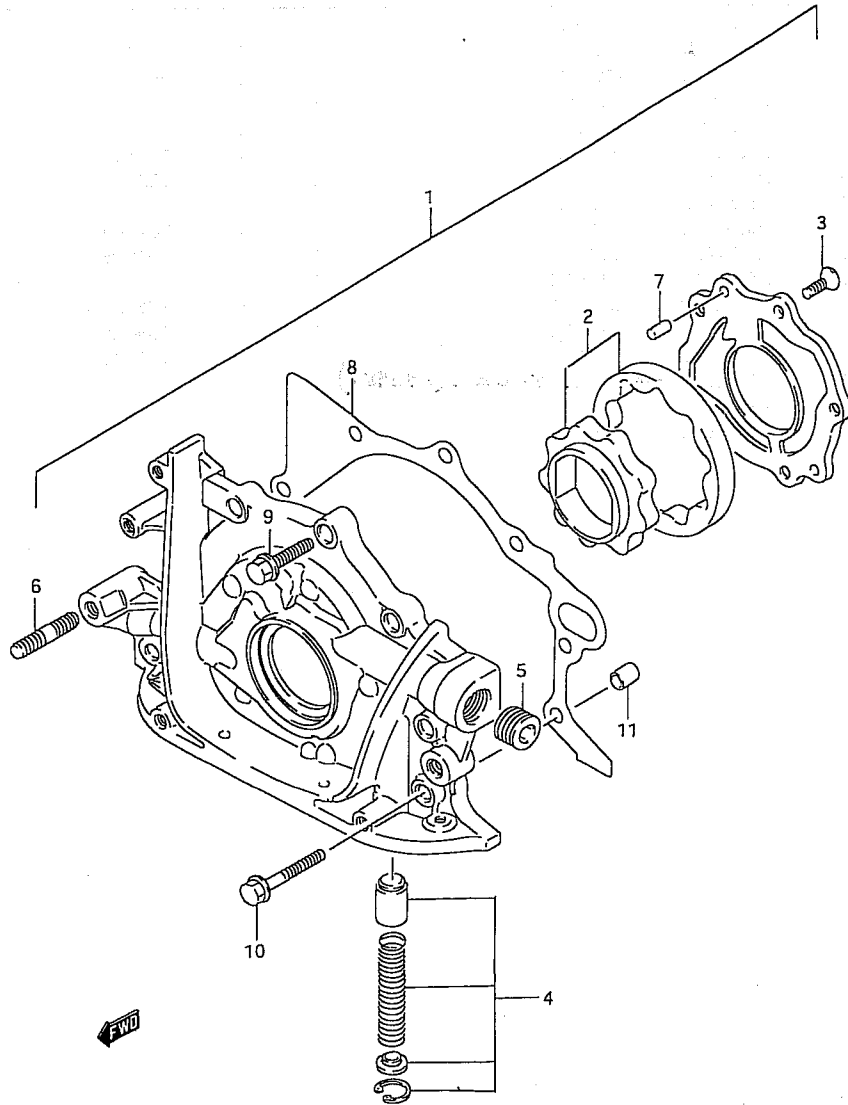


# FIG 37A. FUEL DELIVERY AND GLOW PLUG 1.9 TD

REF. NO.	PART NO.	DESCRIPTION	Q' TY		REMARKS
				V	
1	15311-86CB0	INJECTOR HOLDER	4	4	
2	15312-86CB0	INJECTOR	4	4	
3	15833-86CB0	PIPE	1	1	
4	15865-86CA0	UNION	4	4	3x7
5	18550-86CA0	PLUG	1	1	
6	15318-86CA0	PLUG	4	4	DIAMETRO 17,50
7	15319-86CA1	INJECTOR GASKET	4	4	7,2x13,6-0,4
8	15319-86CA0	INJECTOR GASKET	4	4	15,6x21,2-2,2
9	15315-86CB0	SPRING	4	4	
10	15313-86CB0	SPACER	4	4	
11-1	15316-86CA0-079	CALIBRATION WASHER	4	4	EP 0.79
11-2	15316-86CA0-082	CALIBRATION WASHER	-	-	EP 0.82
11-3	15316-86CA0-085	CALIBRATION WASHER	-	-	EP 0.85
11-4	15316-86CA0-088	CALIBRATION WASHER	-	-	EP 0.88
11-5	15316-86CA0-091	CALIBRATION WASHER	-	-	EP 0.91
11-6	15316-86CA0-094	CALIBRATION WASHER	-	-	EP 0.94
11-7	15316-86CA0-097	CALIBRATION WASHER	-	-	EP 0.97
11-8	15316-86CA0-100	CALIBRATION WASHER	-	-	EP 1.00
11-9	15316-86CA0-103	CALIBRATION WASHER	-	-	EP 1.03
11-1	15316-86CA0-106	CALIBRATION WASHER	-	-	EP 1.06
11-1	15319-86CA0-109	CALIBRATION WASHER	-	-	EP 1.09
11-1	15319-86CA0-112	CALIBRATION WASHER	-	-	EP 1.12
11-1	15319-86CA0-115	CALIBRATION WASHER	-	-	EP 1.15
11-1	15319-86CA0-118	CALIBRATION WASHER	-	-	EP 1.18
11-1	15319-86CA0-121	CALIBRATION WASHER	-	-	EP 1.21
11-1	15319-86CA0-124	CALIBRATION WASHER	-	-	EP 1.24
11-1	15319-86CA0-127	CALIBRATION WASHER	-	-	EP 1.27
11-1	15316-86CA0-130	CALIBRATION WASHER	-	-	EP 1.30
11-1	15316-86CA0-133	CALIBRATION WASHER	-	-	EP 1.33
11-2	15316-86CA0-136	CALIBRATION WASHER	-	-	EP 1.36
11-2	15316-86CA0-139	CALIBRATION WASHER	-	-	EP 1.39
11-2	15316-86CA0-142	CALIBRATION WASHER	-	-	EP 1.42
11-2	15316-86CA0-145	CALIBRATION WASHER	-	-	EP 1.45
11-2	15316-86CA0-148	CALIBRATION WASHER	-	-	EP 1.48
12	17876-86CA0	UNION	1	1	3x7
13	15895-86CA0	CLAMP	2	2	
14	15320-86CA0	GLOW PLUG	4	4	
15	36814-86CA0	CABLE	1	1	
16	38860-86CB0	PRE/POSTHEATING UNIT	1	1	
17	M8316-86CA6	NUT	4	4	5x80-4
18	08321-86CA4	SPRING WASHER	4	4	5x10,2-0,5



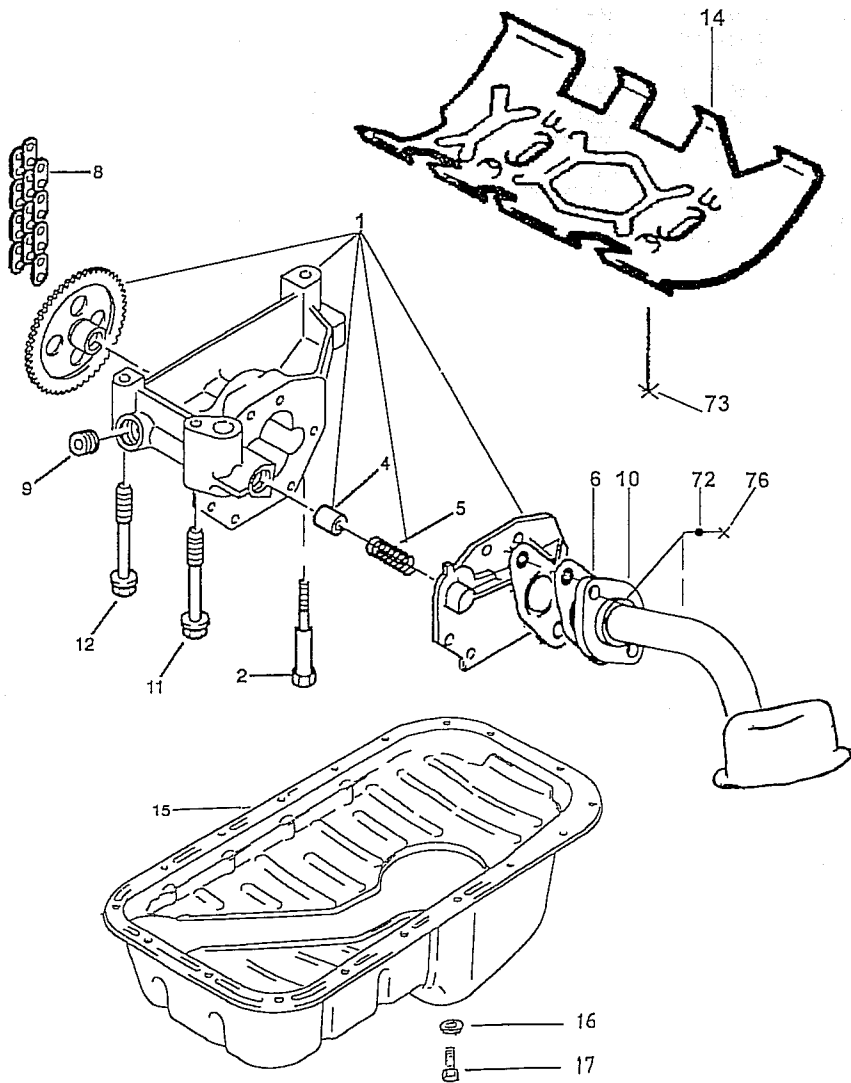
# FIG. 38



## FIG 38. OIL PUMP

REF. NO.	PART NO.	DESCRIPTION	Q' TY		REMARKS
			C	V	
1	16100-85C00	PUMP SET, OIL	1	1	
2	16130-60A00	.ROTOR SET, OIL PUMP	1	1	
3	09126-06007	.SCREW	5	5	
4	16150-60A00	.VALVE SET, OIL PUMP RELIEF	1	1	
5	09246-08002	.PLUG	2	2	
6	01411-08203	.STUD BOLT	1	1	
7	04221-06129	.PIN	2	2	
8	16119-85C00	.GASKET, OIL PUMP	1	1	
9	01550-06253	BOLT	4	4	
10	01550-06353	BOLT	3	3	
11	04211A09109	PIN	2	2	

# FIG. 38A

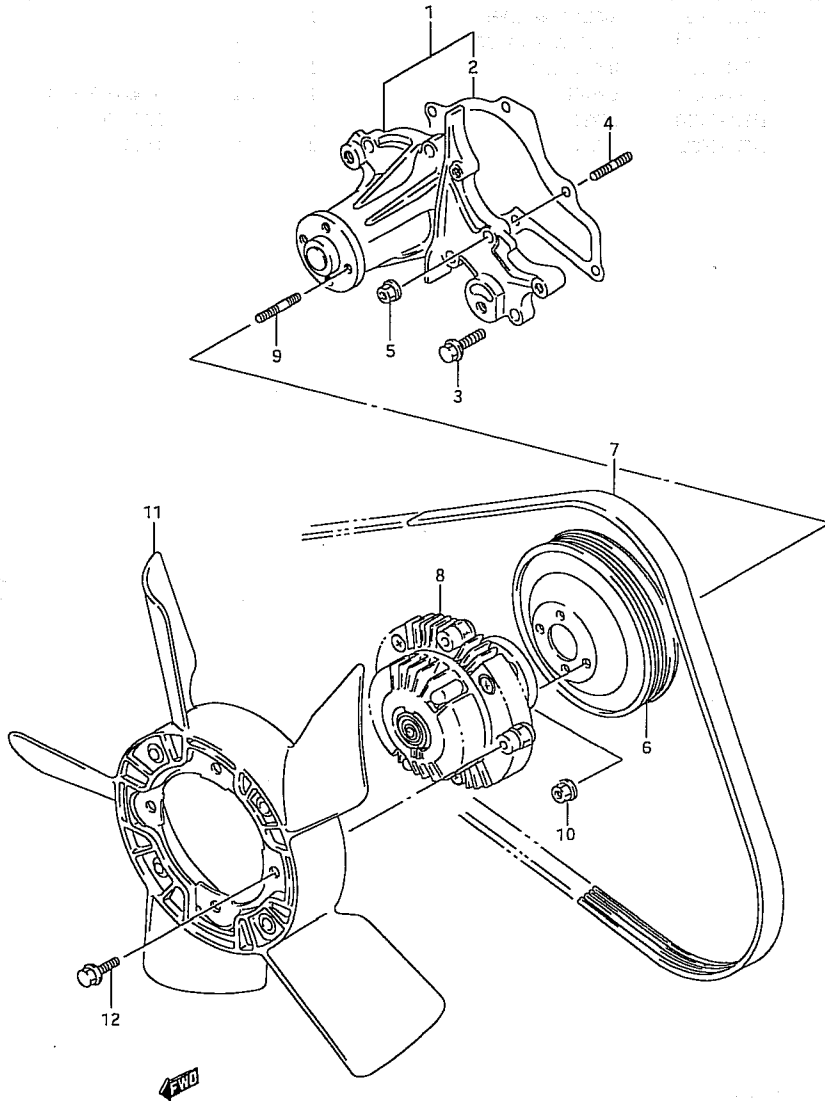


## FIG 38A. OIL PUMP 1.9 TD

REF. NO.	PART NO.	DESCRIPTION	Q' TY		REMARKS
			C	V	
1	16100-86CA0	OIL PUMP	1	1	
2	09111-86CA0	SCREW	1	1	7x100-70
4	16151-86CA0	OIL PUMP GEAR	1	1	Diam. 16x25
5	16152-86CA0	SPRING	1	1	
6	16527-86CA1	GASKET	1	1	
8	10100-86CB0	OIL PUMP CHAIN	1	1	52 Links
9	11226-86CA2	PLUG	2	2	16x150
10	16520-86CA1	STRAINER	1	1	
11	01610-86CA1	SCREW HRDL	1	1	7x100-70
12	01610-86CA2	SCREW HRDL	1	1	7x100-85
14	11512-86CA0	OIL PLATE	1	1	
72	08321-86CA0	SPRING WASHER	6	6	6x12.2-0.5
73	11119-86CA5	SCREW HRDL	4	4	6x100-16
76	01517-86CA2	SCREW H	2	2	6x100-16
15	11510-86CA0	PAN OIL 86CA 1 (SM 2989)	1	1	
16	09168-86CA0	GASKET	1	1	
17	09247-86CB0	PLUG	1	1	

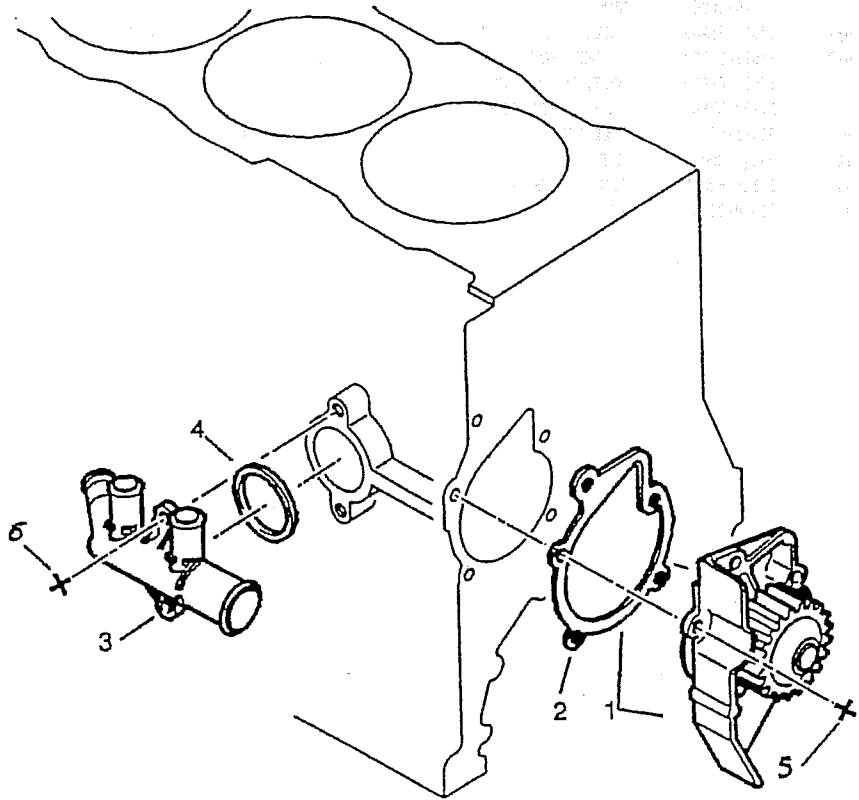
# FIG. 39

## FIG 39. WATER PUMP AND COOLING FAN



REF. NO.	PART NO.	DESCRIPTION	QTY		REMARKS
			C	V	
1	17400-60A04	PUMP SET, WATER	1	1	
2	17431-85C00	.GASKET, WATER PUMP	1	1	
3	09103-06066	BOLT (6X23)	4	4	
4	01421-06203	STUD BOLT	2	2	
5	08316-20063	NUT	2	2	
6-1	17511-61A00	PULLEY, WATER PUMP	1	1	2 VALVE
6-2	17511-57B00	PULLEY, WATER PUMP	1	1	4 VALVE
7	17521-61A00	BELT, WATER PUMP	1	1	
8	17120-57B01	CLUTCH ASSY, FAN	1	1	
9	01411-06203	STUD BOLT	4	4	
10	08316-20063	NUT	4	4	
11	17110-60A00	FAN, ENGINE COOLING	1	1	
12	01550-06203	BOLT	4	4	

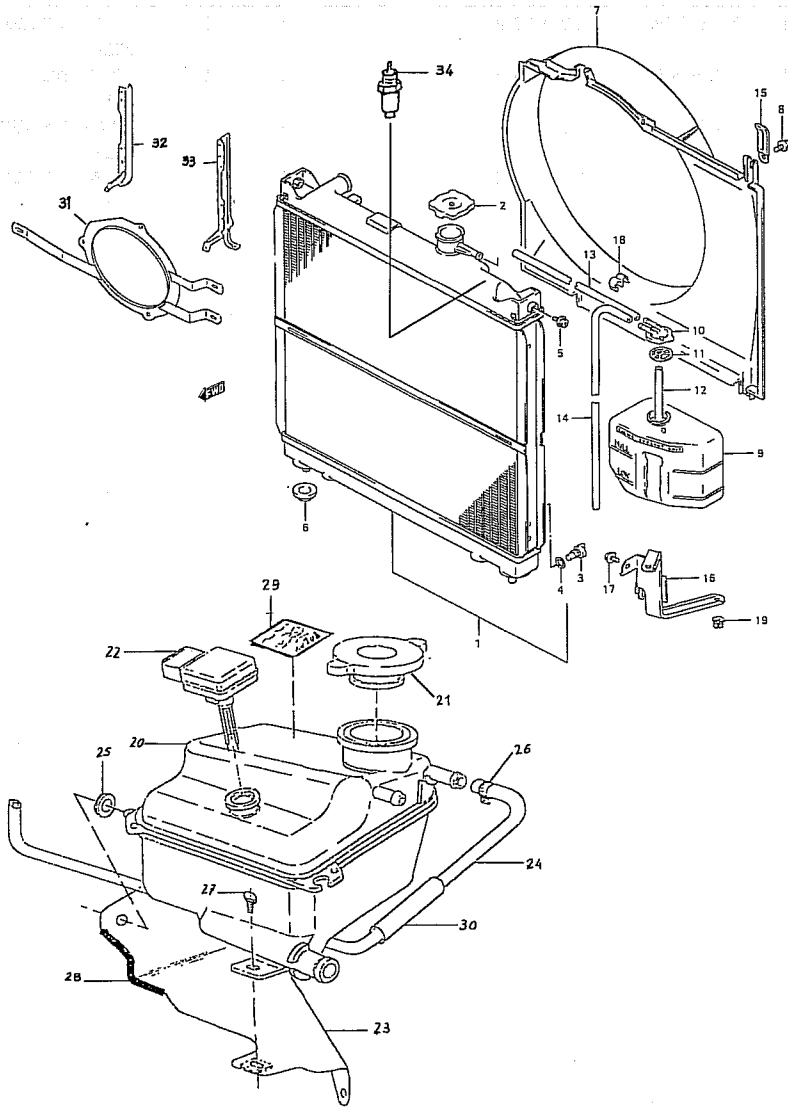
# FIG. 39A



## FIG 39A. WATER PUMP 1.9 TD

REF. NO.	PART NO.	DESCRIPTION	Q' TY		REMARKS
			C	V	
1	17400-86CB0	WATER PUMP COVER	1	1	
2	17431-86CA0	WATER PUMP GASKET	1	1	
3	17550-86CA0	WATER INLET	1	1	
4	15167-86CA1	O-RING	1	1	40, 4x47, 5-3, 53
5	11119-86CB0	SCREW	5	5	7x100-20
6	01570-86CA2	SCREW	2	2	8x125-30

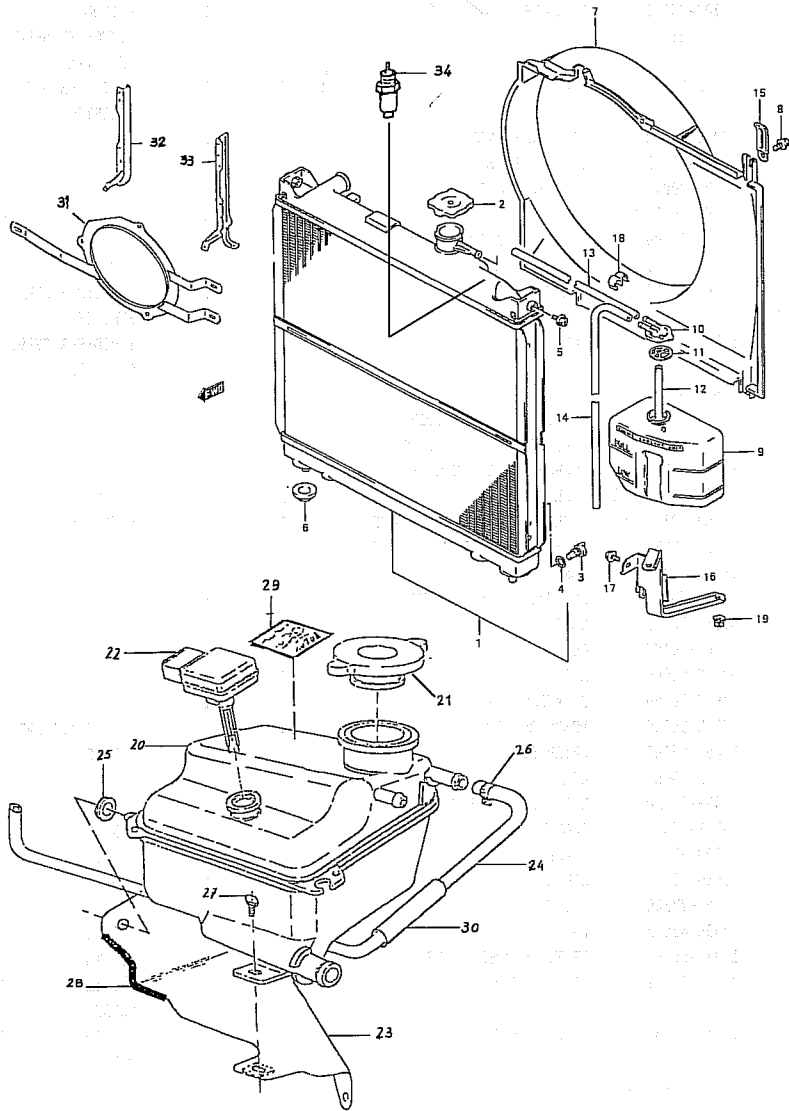
# FIG. 40



# FIG 40. RADIATOR (2 VALVE)

REF. NO.	PART NO.	DESCRIPTION	Q' TY		REMARKS
			C	V	
1-1	17700-85C01	RADIATOR ASSY	1	1	PETROL
1-2	17700-86CB0	RADIATOR ASSY	1	1	1.9TD:SEE SERV. BULLETIN
1-3	17700-86CC0	RADIATOR ASSY	1	1	1.9TD:SEE SERV. BULLETIN
2	17920-85C00	.CAP, RADIATOR	1	1	
3	00000A00715	.PLUG, DRAIN	1	1	
4	00000A00015	.O RING, DRAIN PLUG	1	1	
5	02162-06253	BOLT	2	2	
6	17812-82000	BUSH, RADIATOR SUPPORT	2	2	
7-1	17761-60A01	SHROUD, FAN	1	1	PETROL
7-2	17761-86CB0	SHROUD, FAN	1	1	1.9TD:SEE SERV. BULLETIN
7-3	17761-86CC0	SHROUD, FAN	1	1	1.9TD:SEE SERV. BULLETIN
8	01550-06123	BOLT	4	4	
9	17931-60A10	TANK, WATER RESERVOIR	1	1	
10	17932-60G00	CAP, WATER RESERVOIR TANK	1	1	
11	17933-60B00	RUBBER, WATER RSVR TANK CAP	1	1	
12	09352-70111-600	HOSE, WATER RESERVOIR TANK	1	1	L:600>115
13	09352-70121-600	HOSE, WATER RESERVOIR TANK	1	1	L:600>390
14	17938-58B20	HOSE, RESERVOIR TANK DRAIN	1	1	
15	09404-06429	CLAMP	1	1	
16	17937-60A11	BRACKET, RESERVOIR TANK	1	1	
17	01550-06123	BOLT	3	3	
18	09408-00100	CLIP	1	1	
19	09148-06006	NUT	1	1	
20	17930-86CB0	DEGASING BOX	1	1	1.9 TD
21	17932-86CB0	PRESSURE PLUG	1	1	1.9 TD:1,4 BAR
22	13650-86CB0	WATER LEVEL SENSOR	1	1	1.9 TD
23	64352-86CB0	BRACKET	1	1	1.9 TD
24	17939-86CD0	HOSE RAD.TO RESERVE	1	1	1.9 TD
25	09308-10004	GROMMET	2	2	1.9 TD
26	15899-85C00	CLAMP	1	1	1.9 TD
27	01550-06123	SCREW	1	1	1.9 TD
28	75957-77E00	PROTECTOR	1	1	1.9 TD
29	17998-82012	LABEL	1	1	1.9 TD
30	17939-86CB0	PROT.RAD.HOSE TO RESERVE	1	1	1.9 TD
31-1	95320-86CB1	BRACKET,FAN	1	1	1.9 TD, SEE SERVICE BULLE
31-1	17119-86CA0	BRACKET,FAN	1	1	1.9 TD, SEE SERVICE BULLE

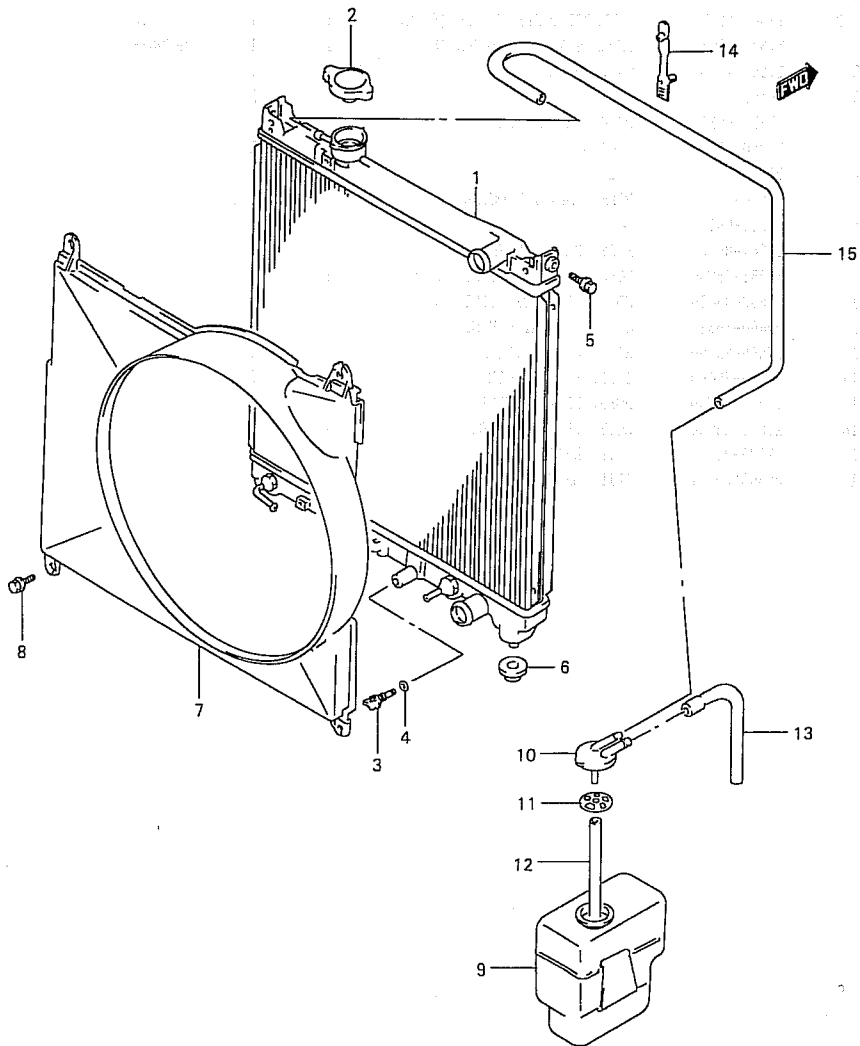
# FIG. 40



## FIG 40. RADIATOR (2 VALVE)

REF. NO.	PART NO.	DESCRIPTION	Q' TY		REMARKS
			C	V	
32-1	71420-86CB0	BRACKET R/H	1	1	1.9 TD ,SEE SERVICE BULLE
32-1	71420-86CC0	BRACKET R/H	1	1	1.9 TD ,SEE SERVICE BULLE
33-1	71410-86CB0	BRACKET L/H	1	1	1.9 TD ,SEE SERVICE BULLE
33-1	71410-86CC0	BRACKET L/H	1	1	1.9 TD ,SEE SERVICE BULLE

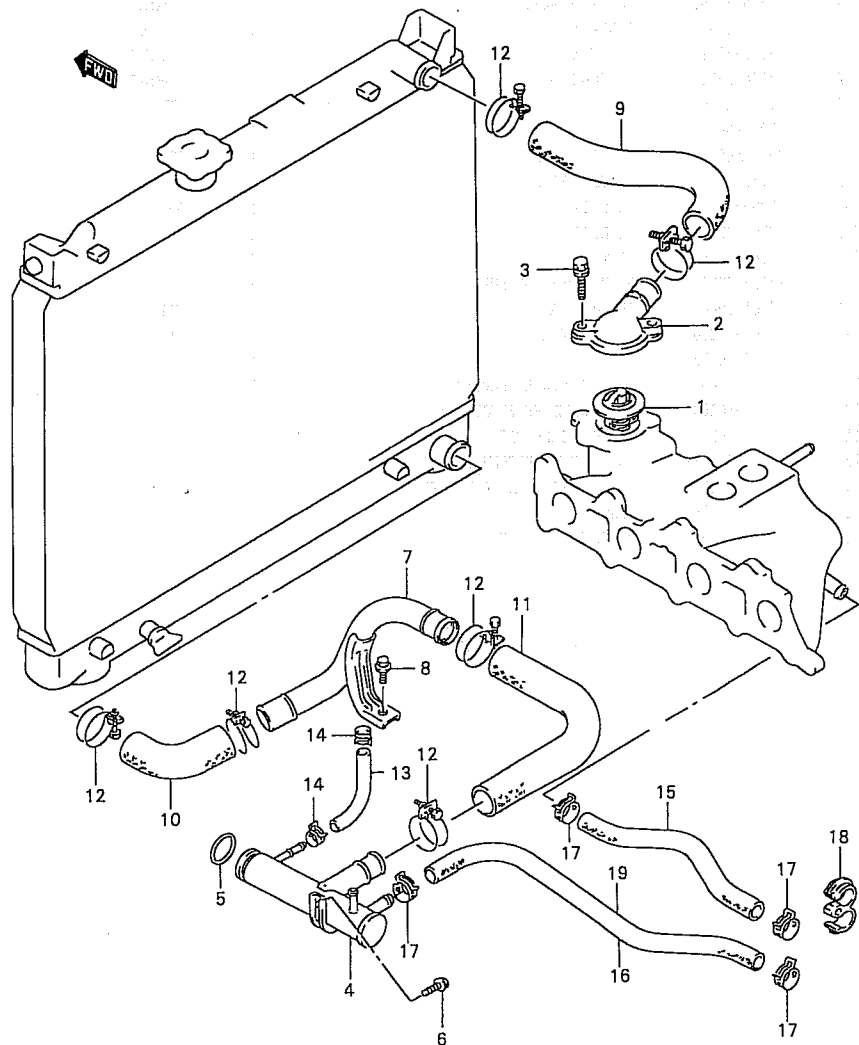
# FIG. 41



## FIG 41. RADIATOR (4 VALVE)

REF. NO.	PART NO.	DESCRIPTION	Q' TY		REMARKS
			C	V	
1-1	17700-85C01	RADIATOR ASSY	1	1	3DR:MT
1-2	17700-60A12	RADIATOR ASSY	1	1	3DR:AT
1-3	17700-85C10	RADIATOR ASSY	-	1	5DR:MT
1-4	17700-56B12	RADIATOR ASSY	-	1	5DR:AT
2-1	17920-85C00	.CAP	1	1	MT
2-2	17920-66F00	.CAP	1	1	AT
3-1	00000A00715	.PLUG, DRAIN	1	1	MT
3-2	17751-61A00	.PLUG, DRAIN	1	1	AT
4-1	00000A00015	.O RING	1	1	MT
4-2	17759-72010	.O RING	1	1	AT
5	02162-06253	BOLT	2	2	
6	17812-82000	BUSH, RADIATOR SUPPORT	2	2	
7-1	17761-60A01	SHROUD, FAN	1	1	3DR
7-2	17761-56B00	SHROUD, FAN	-	1	5DR
8	01550-06123	BOLT	4	4	
9	17931-58B00	TANK, WATER RESERVOIR	1	1	
10	17932-60G00	CAP, WATER RESERVOIR TANK	1	1	
11	17933-60B00	RUBBER, TANK CAP	1	1	
12	09352-70111-600	HOSE, WATER RESERVOIR TANK CAP	1	1	L:600>150
13	17938-58B00	HOSE, RESERVOIR TANK VENT PIPE	1	1	
14	09407-05406	CLAMP	1	1	
15	17939-58B00	HOSE, RADIATOR TO TANK	1	1	

# FIG. 42

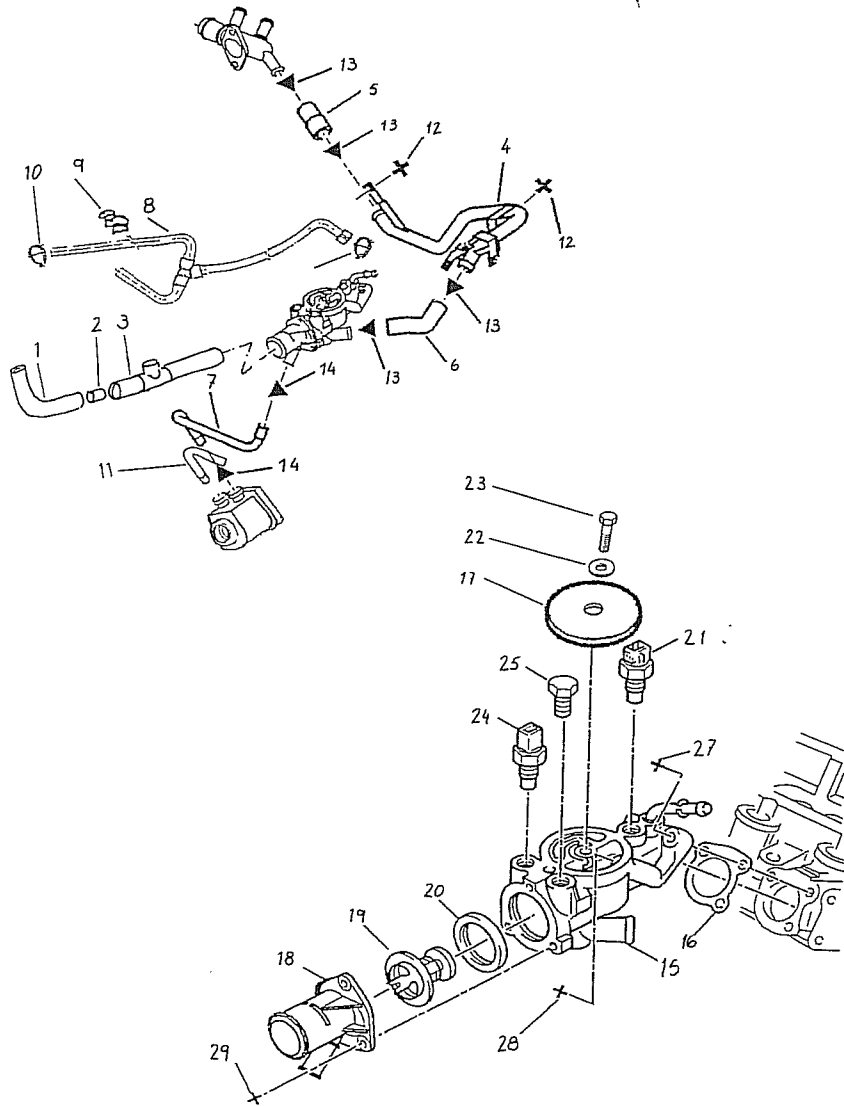


## FIG 42. WATER HOSE (2 VALVE)

REF. NO.	PART NO.	DESCRIPTION	Q' TY		REMARKS
			C	V	
1-1	17670-85C00	THERMOSTAT ASSY, WATER (82 C)	1	1	E2, E21
1-2	17600-60823	THERMOSTAT SET, WATER (88 C)	1	1	MY97: E22
1-3	17670-85C10	THERMOSTAT SET, WATER (88 C)	1	1	MY98: E22
2	17561-73000	CAP, THERMOSTAT	1	1	
3	09103-08341	BOLT	2	2	
4	17550-60X50	PIPE, WATER INLET	1	1	
5	09280-28008	O RING	1	1	
6	01550-06123	BOLT	1	1	
7	17860-60A10	PIPE, RADIATOR OUTLET	1	1	
8	01517-08123	BOLT	1	1	
9	17841-85C00	HOSE, RADIATOR INLET	1	1	
10	17851-85C00	HOSE, RADIATOR OUTLET NO.1	1	1	
11	17852-85C00	HOSE, RADIATOR OUTLET NO.2	1	1	
12	09400-36312	CLAMP, RADIATOR HOSE	6	6	
13	17859-85C00	HOSE, WATER BYPASS	1	1	
14	17879-85C00	CLIP, BYPASS HOSE	2	2	
15	17871-85C00	HOSE, HEATER INLET	1	1	
16	17872-85C00	HOSE, HEATER OUTLET	1	1	
17	11196-85C10	CLIP, HEATER HOSE	4	4	
18	09408-00117	CLIP, HEATER HOSE	1	1	



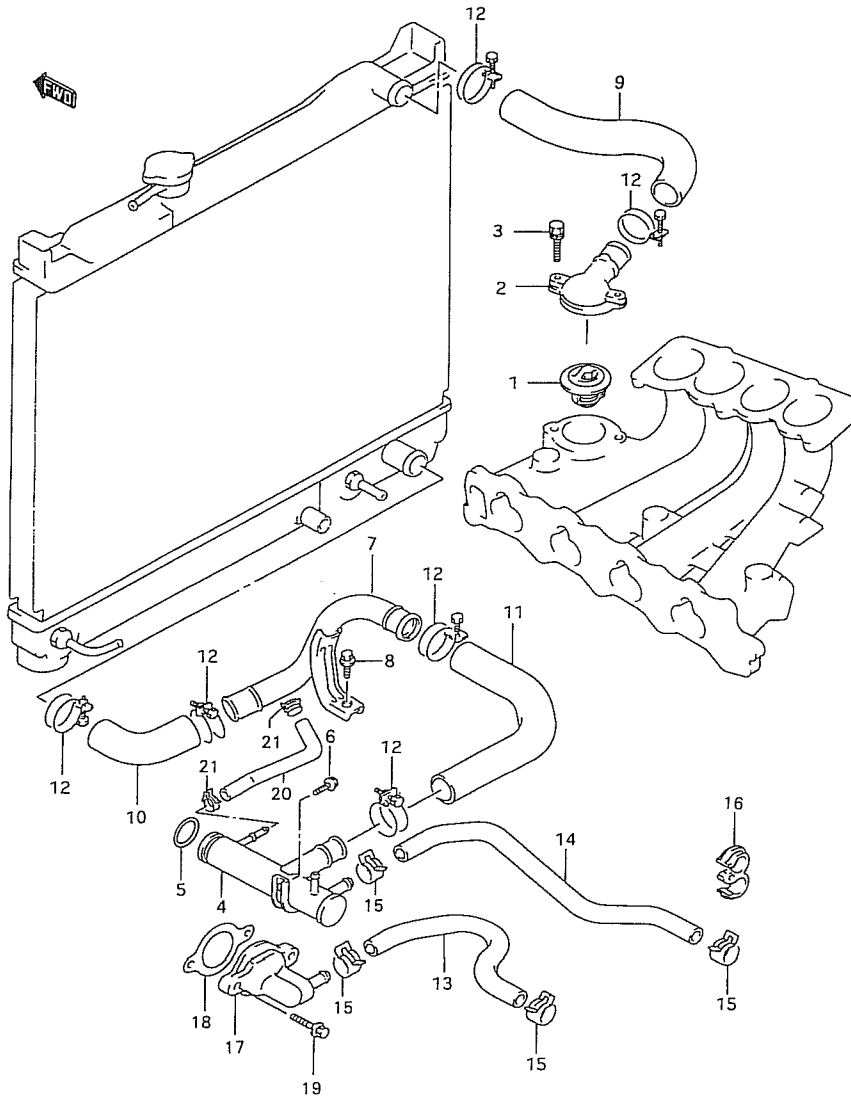
# FIG. 42A



# FIG 42A. WATER HOSES AND THERMOSTAT 1.9 TD

REF. NO.	PART NO.	DESCRIPTION	Q' TY		REMARKS
			C	V	
1	17841-86CE0	HOSE	1	1	
2	17841-86CD0	CONEXION PIPE	1	1	
3	17841-86CC0	HOSE	1	1	
4	17872-86CA0	BY-PASS PIPE	1	1	
5	17874-86CA0	BY-PASS HOSES	1	1	
6	17859-86CA0	BY-PASS HOSE	1	1	
7	17875-86CB0	INLET HOSE	1	1	
8	17873-86CB0	WATER HOSE	1	1	
9	09404-86CA0	STETCHER BRACKET	1	1	
10	09403-86CA2	CLAMP	2	2	15-17
11	17842-86CA0	INLET HOSE	1	1	
12	11119-86CA4	SCREW HRDL	2	2	M8x125-20
13	09403-86CC0	CLAMP	4	4	30-45
14	09403-86CA1	CLAMP	2	2	16-27
15	17569-86CA0	OUTLET BOX	1	1	
16	14181-86CB0	GASKET	1	1	
17	11120-86CA0	CLOSING PLATE	1	1	
18	17561-86CA1	OUTLET STUB	1	1	
19	17570-86CA0	THERMOSTAT	1	1	83]
20	11228-86CA6	GASKET	1	1	
21	34850-86CB0	TEMP. SWITCH	1	1	60]- Green
22	08321-86CA1	SPRING WASHER	1	1	
23	01570-86CA3	SCREW H	1	1	8x125-12
24	13651-86CB0	TEMP. SENDING UNIT	1	1	118] - Blue
25	11226-86CA4	PLUG	2	2	14x125
26	15167-86CA4	RING	1	1	7x13, 4-1, 6
27	M9103-86CA3	CHC SCREW	2	2	7x100-35
28	M9103-86CA2	SCREW	1	1	7x100-80
29	11119-86CB1	SCREW	3	3	6x1,00-20

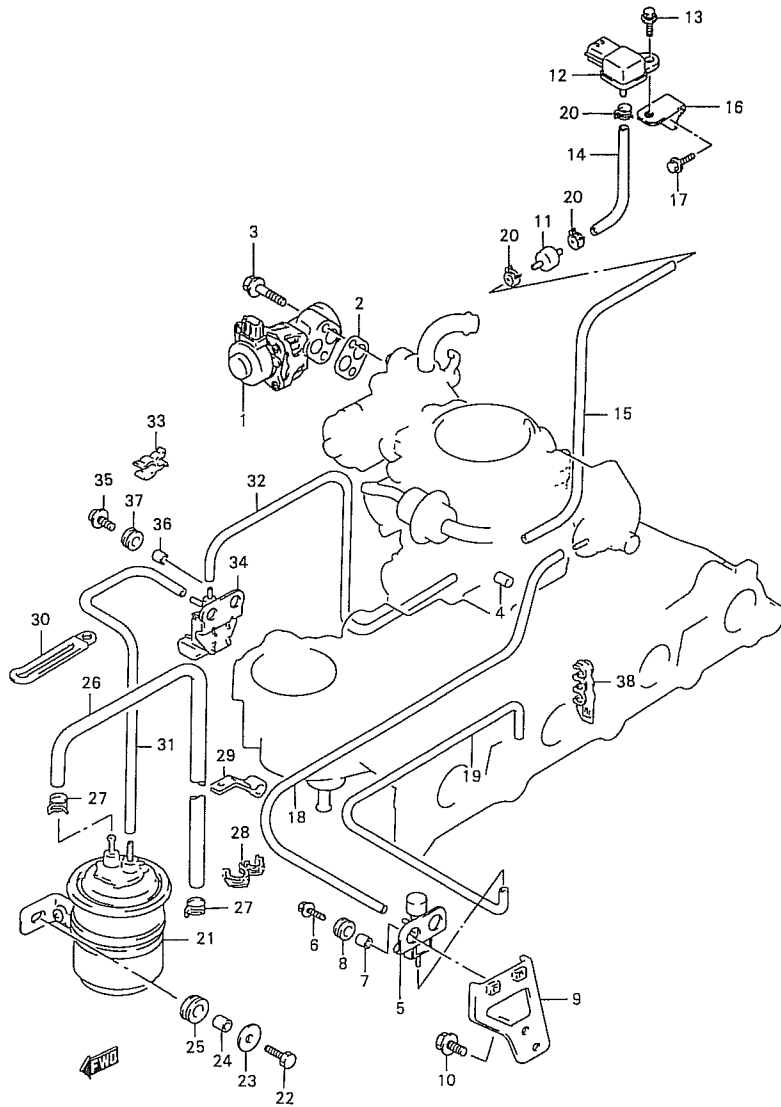
# FIG. 43



## FIG 43. WATER HOSE(4 VALVE)

REF. NO.	PART NO.	DESCRIPTION	Q' TY		REMARKS
			C	V	
1-1	17670-85C00	THERMOSTAT ASSY, WATER (82 C)	1	1	E2, E21
1-2	17600-60823	THERMOSTAT SET, WATER (88 C)	1	1	MY97:E22
1-3	17670-85C10	THERMOSTAT ASSY, WATER (88 C)	1	1	MY98:E22
2	17561-58B00	CAP, WATER THERMOSTAT	1	1	
3	09103-08341	BOLT	2	2	
4	17550-58B00	PIPE, WATER INLET	1	1	
5	09280-28008	O RING	1	1	
6	01550-06123	BOLT	1	1	
7	17860-60A10	PIPE, RADIATOR OUTLET	1	1	
8	01517-08123	BOLT	1	1	
9	17841-58B10	HOSE, RADIATOR INLET	1	1	
10-1	17851-85C00	HOSE, RADIATOR OUTLET NO.1	1	1	3DR
10-2	17851-83101	HOSE, RADIATOR OUTLET NO.1 -	1	5DR	
11	17852-85C00	HOSE, RADIATOR OUTLET NO.2	1	1	
12	09400-36312	CLAMP	6	6	
13	17871-57B02	HOSE, HEATER INLET	1	1	
14	17872-85C00	HOSE, HEATER OUTLET	1	1	
15	11196-85C10	CLIP	4	4	
16	09408-00117	CLIP	1	1	
17	17570-57B00	CAP, WATER OUTLET	1	1	
18	17699-60B02	GASKET, THERMOSTAT CASE	1	1	
19	01550-08253	BOLT	2	2	
20	17859-58B00	HOSE, WATER BYPASS	1	1	
21	17879-85C00	CLIP	2	2	

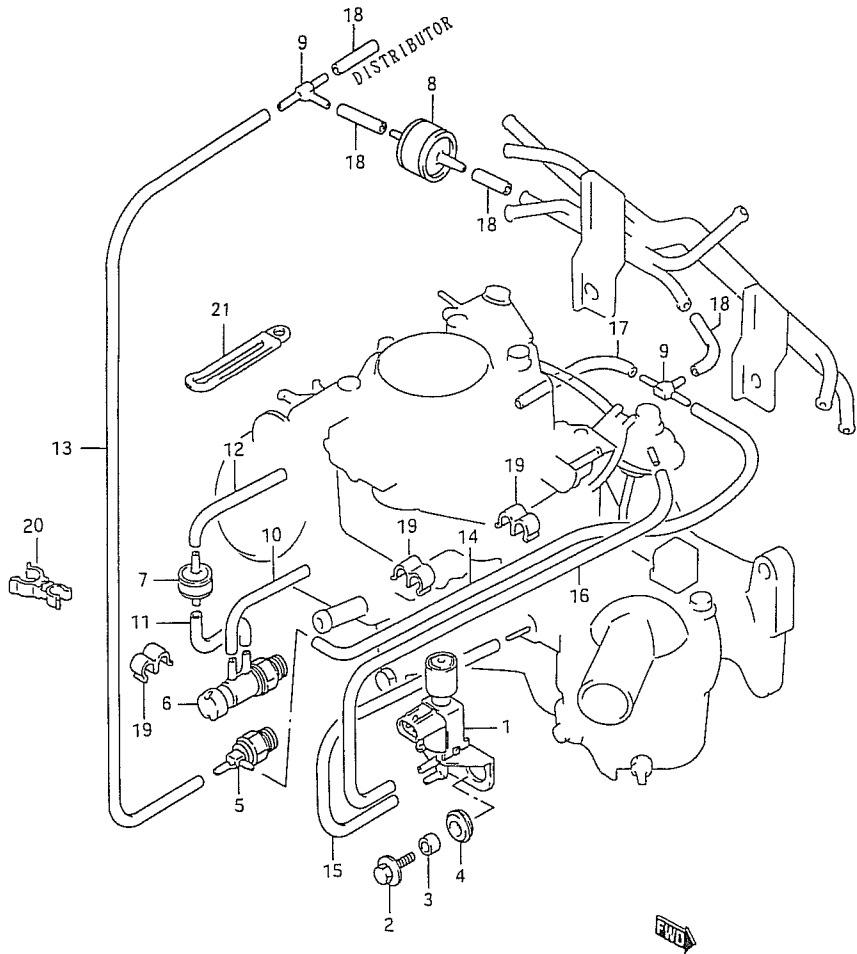
# FIG. 44



# FIG 44. EMISSION CONTROL (2 VALVE: FUEL INJECTION)

REF. NO.	PART NO.	DESCRIPTION	Q' TY		REMARKS
			C	V	
1	18111-77E00	VALVE, EGR	1	1	
2	18529-77E00	GASKET, EGR VALVE	1	1	
3	01550-08553	BOLT	2	2	
4	09250-04003	PLUG, EGR PORT	1	1	
5	18117-61A10	VALVE, VACUUM SWITCHING	1	1	
6	09136-06133	SCREW, VSV (6X14)	2	2	
7	09180-06106	SPACER (6.8X10X7)	2	2	
8	09308-10004	GROMMET	2	2	
9	18417-61A00	BRACKET	1	1	
10	01550-10203	BOLT	2	2	
11	27965-85400	FILTER, GAS	1	1	
12	18590-80C40	SENSOR, MAP	1	1	
13	01550-06123	BOLT	1	1	
14	09355-35754-600	HOSE, VAC	1	1	L:600>50
15	09355-35754-600	HOSE, VAC	1	1	L:600>230
16	18595-80C00	BRACKET, MAP SENSOR	1	1	
17	01550-06123	BOLT	1	1	
18	09355-35754-600	HOSE, VAC	1	1	L:600>280
19	09355-35754-600	HOSE, VAC	1	1	L:600>200
20	18119-85C00	CLIP, HOSE	3	3	
21	18560-61A00	CANISTER	1	1	
22	01500-08203	BOLT	2	2	
23-1	09160T08075	WASHER (8.2X26X1.6)	2	2	MY97,
23-2	09160-08133	WASHER (8.2X26X1.6)	2	2	MY98,
24	09180-08185	SPACER (8.2X12.5X6)	2	2	
25	09320-12011	GROMMET, CANISTER	2	2	
26	09355-54115-600	HOSE, CANISTER INLET	1	1	L:600>550
27	18119-85C10	CLIP, HOSE	2	2	
28	18119-85C20	CLIP, HOSE	1	1	MY98
29	18119-85C30	CLIP, HOSE	1	1	MY98
30	09404-08420	CLAMP, HOSE	1	1	MY98
31	09355-35754-600	HOSE, CANISTER PURGE	1	1	L:600>150
32	09355-35754-600	HOSE, CANISTER PURGE	1	1	L:600>280
33	09408-00137	CLAMP, HOSE	1	1	
34	18117-56B10	VALVE ASSY, SOLENOID	1	1	
35	09136-06133	SCREW, SOLENOID VALVE (6X14)	2	2	
36	09180-06106	SPACER (6.8X10X7)	2	2	
37	09308-10004	GROMMET, SOLENOID VALVE	2	2	
38	33881-82011	CLAMP, HOSE	1	1	

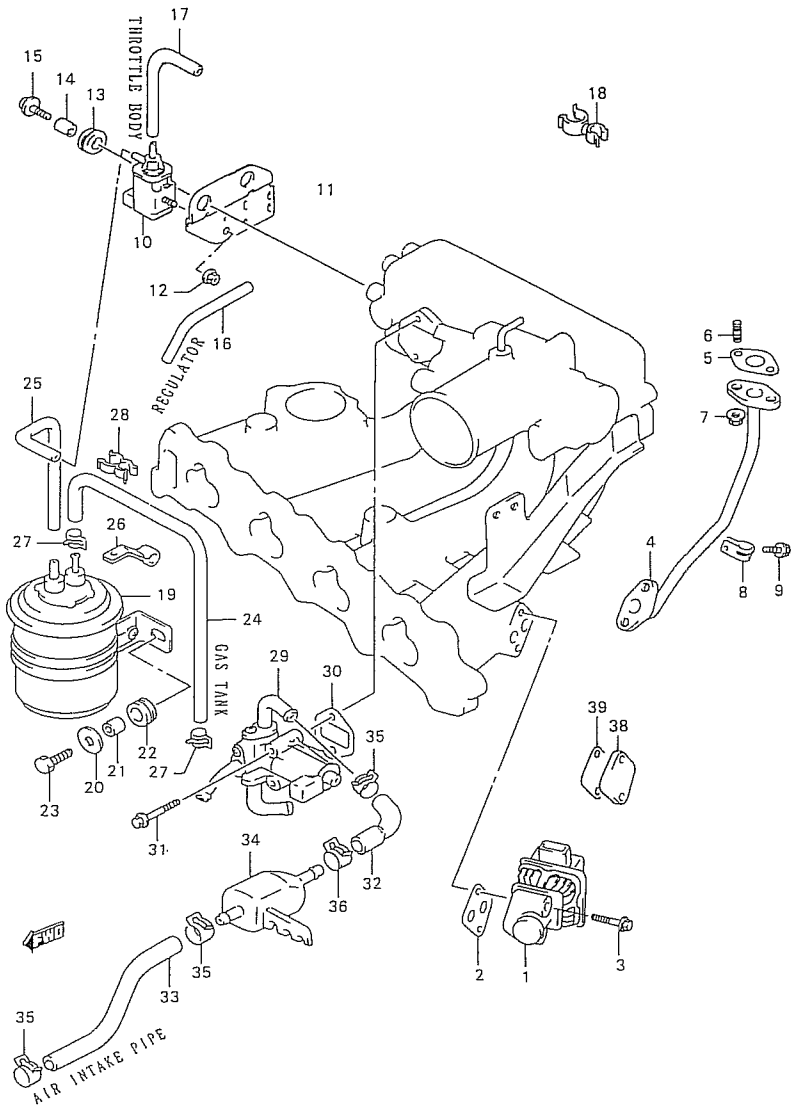
# FIG. 45



# FIG 45. EMISSION CONTROL (2 VALVE: CARBURETOR)

REF. NO.	PART NO.	DESCRIPTION	Q' TY		REMARKS
			C	V	
1	18117-60A00	VALVE, VACUUM SWITCHING	1	1	
2	01500-06203	BOLT, VSV (6X20)	2	2	
3	09180-06106	SPACER, VSV (6.8X10X7)	2	2	
4	09308-10004	GROMMET, VSV	2	2	
5	18122-60A00	VALVE, BVS	1	1	
6	18123-80400	VALVE, BVS	1	1	
7	18115-83010	JET	1	1	
8	18114-80000	VALVE, VTV	1	1	
9	09367-04002	UNION, 3 WAY	2	2	
10	09355-35754-600	HOSE, VAC	1	1	L:600>100
11-1	09355-35754-600	HOSE, VAC	1	1	MT,L:600>100
11-2	09355-35754-600	HOSE, VAC	1	1	AT,L:600>190
12	09355-35754-600	HOSE, VAC	1	1	L:600>70
13	09355-35754-600	HOSE, VAC	1	1	L:600>280
14	09355-35754-600	HOSE, VAC	1	1	L:600>360
15	09355-35754-600	HOSE, VAC	1	1	L:600>110
16	09355-35754-600	HOSE, VAC	1	1	L:600>240
17	09355-35754-600	HOSE, VAC	1	1	L:600>60
18	09355-35754-600	HOSE, VAC	4	4	L:600>30
19	18119-85C00	CLIP, HOSE	3	3	
20	09408-00056	CLIP, HOSE	1	1	
21	09408-00111	CLAMP, HOSE	1	1	

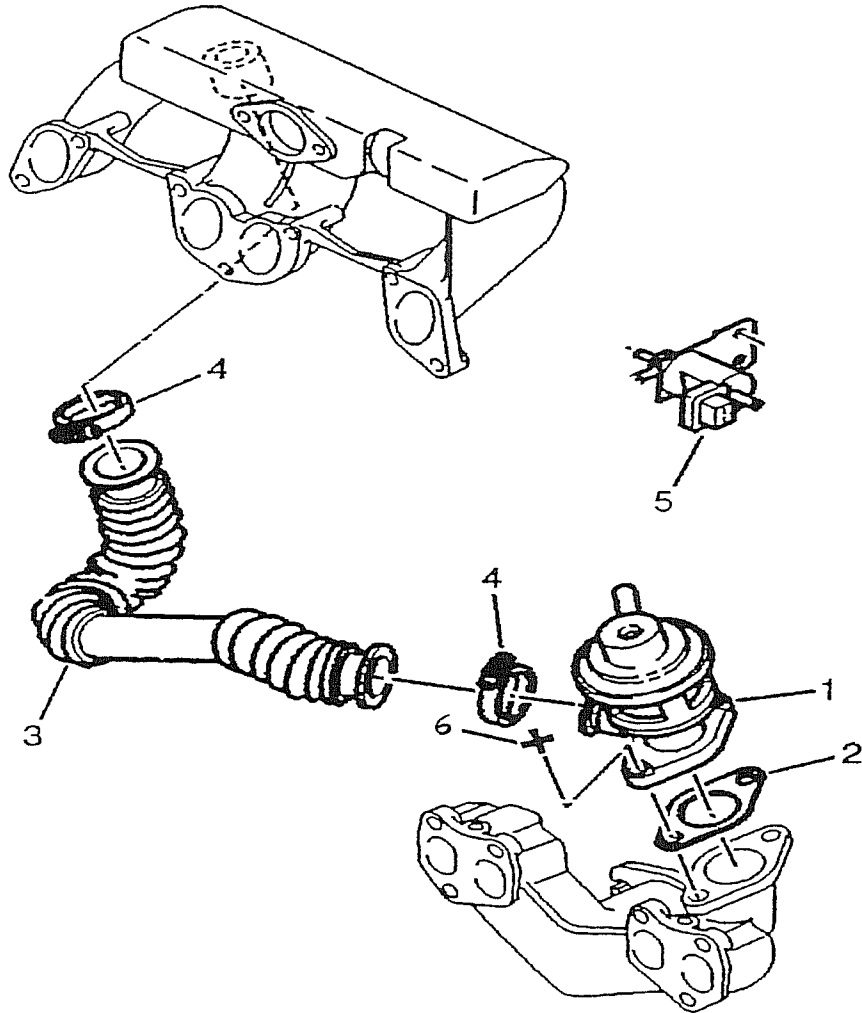
# FIG. 46



# FIG 46. EMISSION CONTROL (4 VALVE)

REF. NO.	PART NO.	DESCRIPTION	Q' TY		REMARKS
			C	V	
1	18111-77E00	VALVE, EGR	1	1	
2	18529-77E00	GASKET, EGR VALVE	1	1	
3	01550-08553	BOLT	2	2	
4	18530-58B00	PIPE, EGR	1	1	
5	18533-77E00	GASKET, EGR PIPE	2	2	
6	01421-06163	STUD BOLT	4	4	
7	08316-20063	NUT	4	4	
8	18536-85300	CLAMP, EGR PIPE	1	1	
9	01550-06123	BOLT	1	1	
10	18117-58B10	VALVE, SOLENOID VACUUM	1	1	
11	18417-58B10	BRACKET, SOLENOID VALVE	1	1	
12	08316-20063	NUT	1	1	
13	09308-10004	GROMMET	2	2	
14	09180-06106	SPACER (6.8X10X7)	2	2	
15	09136-06133	SCREW (6X14)	2	2	
16	09355-35754-600	HOSE, VACUUM	1	1	L:600>170
17	09355-35754-600	HOSE, VACUUM	1	1	L:600>70
18	09408-00067	CLAMP, VACUUM HOSE	1	1	
19	18560-61A00	CANISTER	1	1	
20	09160T08075	WASHER, (8.2X26X1.6)	2	2	
21	09180-08185	SPACER, (8.2X12.5X6)	2	2	
22	09320-12011	GROMMET	2	2	
23	01500-08203	BOLT	2	2	
24	09355-54115-600	HOSE, VACUUM	1	1	L:600>550
25	09355-35754-600	HOSE, VACUUM	1	1	L:600>200
26	18119-85C30	CLAMP, VACUUM HOSE	1	1	
27	18119-85C10	CLIP, VACUUM HOSE	2	2	
28	09408-00137	CLAMP, VACUUM HOSE	1	1	
29	18117-58B00	VALVE ASSY, SOLENOID	1	1	
30	18139-85C00	GASKET, SOLENOID VALVE	1	1	
31	01550-06403	BOLT	2	2	
32	18141-58B00	HOSE, VACUUM	1	1	
33	18142-58B00	HOSE, VACUUM	1	1	
34	18145-58B00	CHAMBER, ISC	1	1	
35	09401-15404	CLIP, VACUUM HOSE	1	1	
36	09401-18404	CLIP, VACUUM HOSE	1	1	
37	09250-04003	PLUG	1	1	
38	18491-61A00	PLATE, EGR VALVE	-	1	MY98:E21
39	18529-60A00	GASKET, EGR VALVE	-	1	MY98:E21

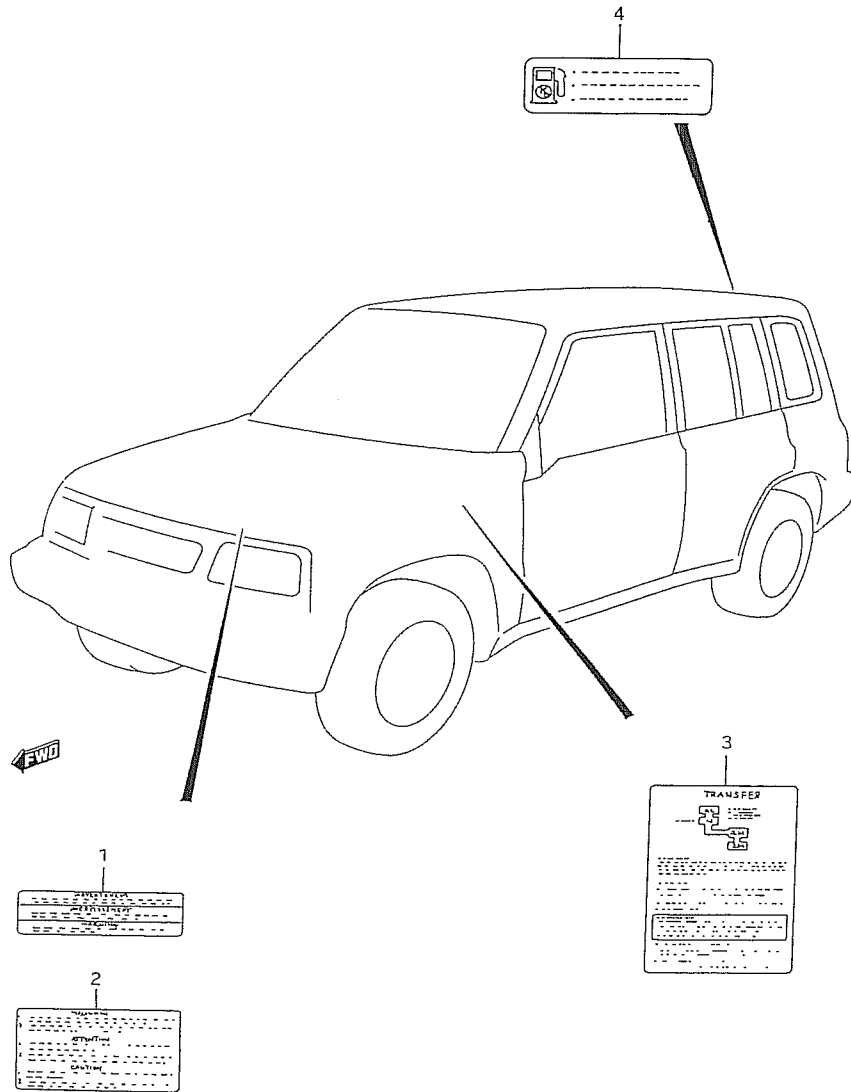
# FIG. 46A



## FIG 46A. ENGINE GAS RECIRCULATION 1.9 TD

REF. NO.	PART NO.	DESCRIPTION	Q' TY		REMARKS
			C	V	
1	18111-86CB0	E.G.R. VALVE	1	1	
2	18529-86CA0	GASKET	1	1	
3	18471-86CB0	RECYCLING PIPE	1	1	DIAM. 32
4	09400-86CA0	COLLAR	2	2	
5	18117-86CA0	SOLENOID VALVE	1	1	
6	11119-86CB2	SCREW CHC RDL	2	2	6x100-20

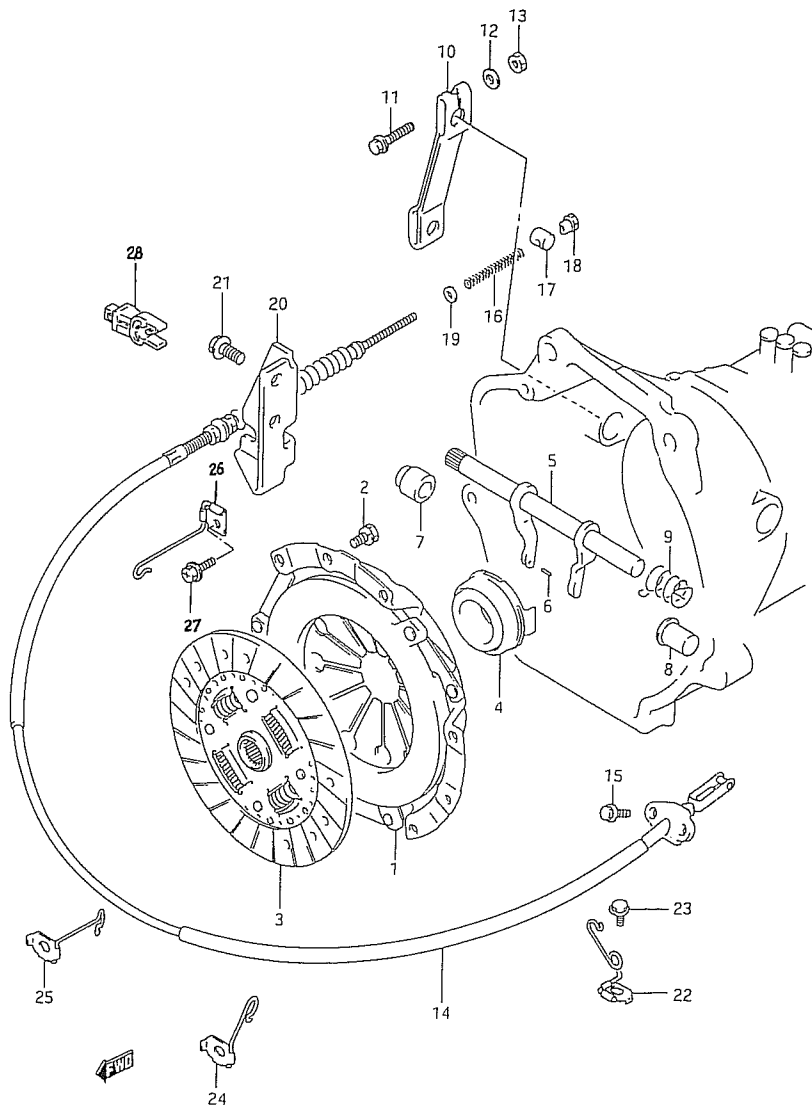
# FIG. 47



## FIG 47. LABEL

REF. NO.	PART NO.	DESCRIPTION	QTY		REMARKS
			C	V	
1	11958-85C00	LABEL, COOLING FAN CAUTION	1	1	
2	17998-82012	LABEL, COOLING WATER CAUTION	1	1	
3-1	28381-60A01	EMBLEM, TRANSFER GEAR SHIFT	1	1	
3-2	28381-60A60	EMBLEM, TRANSFER GEAR SHIFT	1	1	E22
4	11959-60E00	LABEL, FUEL LIMITATION	1	1	

# FIG. 48

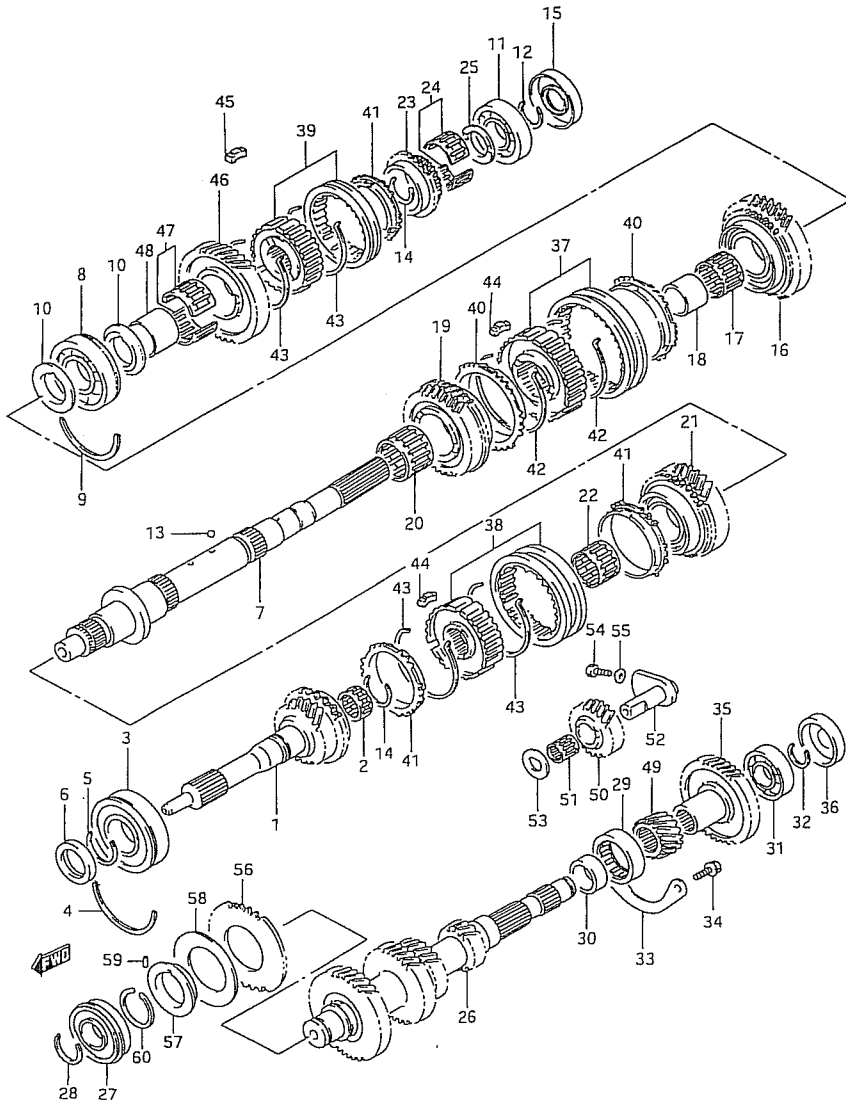


## FIG 48. MT CLUTCH AND CLUTCH CONTROL (MT)

REF. NO.	PART NO.	DESCRIPTION	C	Q' TY	V	REMARKS
1-1	22100-85C10	COVER ASSY, CLUTCH	1	1		PETROL
1-2	22100-86CA0	COVER ASSY, CLUTCH	1	1		1.9 T.DIESEL
2	01107-08163	BOLT	6	6		
3-1	22400-85C10	DISC, CLUTCH	1	1		PETROL
3-2	22400-86CA0	DISC, CLUTCH	1	1		1.9 T.DIESEL
4	23265-84C00	BEARING, CLUTCH RELEASE	1	1		
5	23260-60A00	SHAFT, CLUTCH RELEASE	1	1		
6	09205-03019	PIN	1	1		
7	23264-60A00	BUSH	1	1		
8	23264-60A20	BUSH	1	1		
9	23269-60A00	SPRING	1	1		
10	23266-60A00	ARM, CLUTCH RELEASE	1	1		
11	01550-08403	BOLT	1	1		
12-1	08322-01083	WASHER	1	1		MY97
12-2	09160-84C00	WASHER	1	1		MY98
13	08310-12083	NUT	1	1		
14-1	23710A60A11	CABLE ASSY, CLUTCH	1	1		2 VALVE:LHD
14-2	23710-60A01	CABLE ASSY, CLUTCH	1	1		2 VALVE:RHD
14-3	23710-57B12	CABLE ASSY, CLUTCH	1	1		4 VALVE:LHD
14-4	23710-57B20	CABLE ASSY, CLUTCH	1	1		4 VALVE:RHD
15	01550-06163	BOLT	2	2		
16	09440-08026	SPRING	1	1		
17	09209-13018	PIN	1	1		
18	09150-06010	NUT	1	1		
19	09160-84C00	WASHER	1	1		
20-1	23910-56B10	BRACKET, CLUTCH CABLE	1	1		
20-2	23911-56B00	BRACKET, CLUTCH CABLE	1	1		3DR:E2, E21, E22
21	01550-10203	BOLT	2	2		
22-1	23915-60A00	CLAMP, CLUTCH CABLE NO.1	1	1		LHD
22-2	23915-57B01	CLAMP, CLUTCH CABLE NO.1	1	1		RHD
23	01550-06123	BOLT	1	1		
24	23916-60A00	CLAMP, CLUTCH CABLE NO.2	1	1		
25	01550-06123	BOLT	1	1		
26	23918-60A00	CLAMP, CLUTCH CABLE NO.3	1	1		MY98
27	01550-06123	BOLT	1	1		MY98
28	23915-77D00	CLAMP, CLUTCH CABLE RIGHT	1	1		MY98:RHD:E2



# FIG. 49

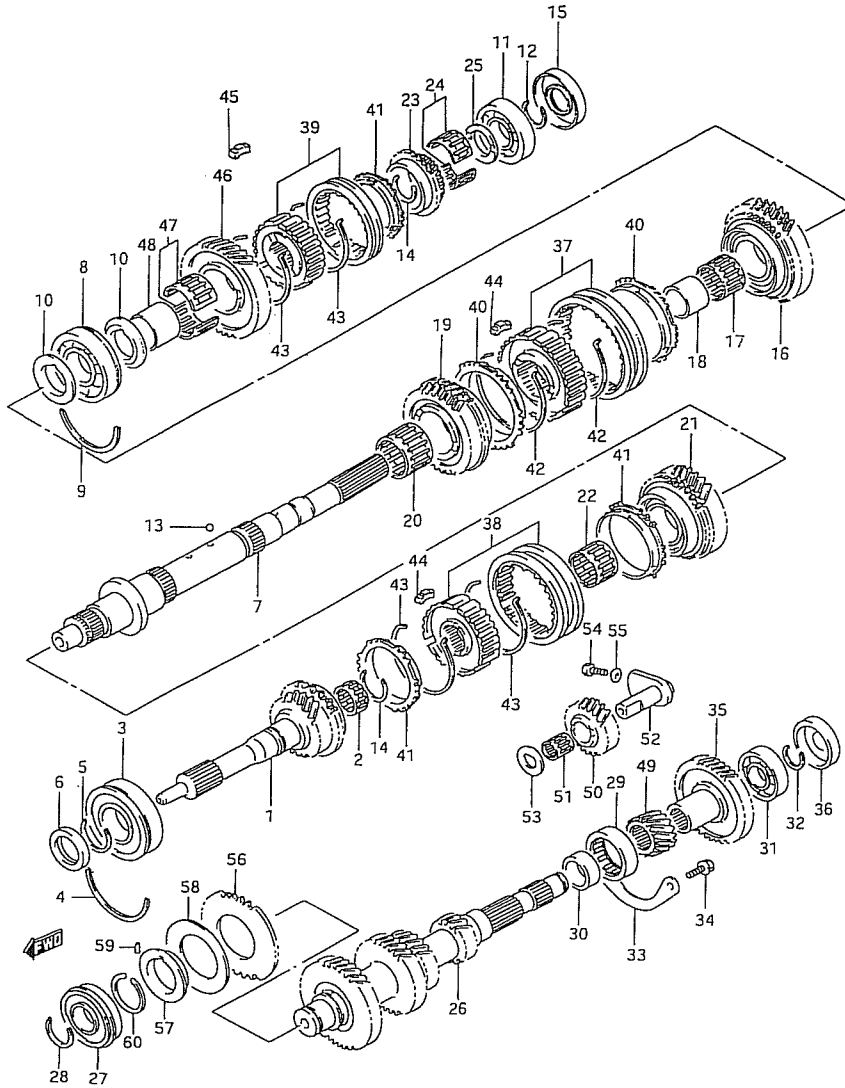


## FIG 49. MT TRANSMISSION (MT)

REF. NO.	PART NO.	DESCRIPTION	Q	TY	V	REMARKS
1	24110-85C00	SHAFT, INPUT	1		1	
2	21915-85C00	BEARING	1		1	
3	21911-85C00	BEARING	1		1	
4	21933-85C80	C RING	1		1	
5	21933-85C30	CIRCLIP	1		1	
6	09283-25088	SEAL, OIL	1		1	
7	24121-60A00	SHAFT, TRANSMISSION MAIN	1		1	
8	21911-85C20	BEARING	1		1	
9	21933-85C90	C RING	1		1	
10	24271-85C00	WASHER	2		2	
11	08113-63050	BEARING, REAR	1		1	
12	21933-85C10	CIRCLIP	1		1	
13	06111-06003	BALL	3		3	
14	21933-85C30	CIRCLIP	2		2	
15	09282-25006	SEAL, OIL	1		1	
16	24210-85C00	GEAR, MAIN SHAFT LOW	1		1	
17	21915-85C40	BEARING	1		1	
18	09300-30003	BUSH	1		1	
19	24220-85C00	GEAR, MAIN SHAFT 2ND	1		1	
20	21915-85C40	BEARING	1		1	
21	24230-85C00	GEAR, MAIN SHAFT 3RD	1		1	
22	21915-85C30	BEARING	1		1	
23	24250-85C10	GEAR, MAIN SHAFT 5TH	1		1	
24	09263-27007	BEARING	1		1	
25	24255-60A00	WASHER	1		1	
26-1	24131-60A02	SHAFT, TRANSMISSION COUNTER	1		1	MY97,
26-2	24131-60A03	SHAFT, TRANSMISSION COUNTER	1		1	MY98,
27	21911-85C10	BEARING, FRONT	1		1	
28	21933-85C30	CIRCLIP	1		1	
29	21921-85C00	BEARING, CENTER	1		1	
30	09300-25028	BUSH	1		1	
31	08113-63040	BEARING, REAR	1		1	
32	21933-85C00	CIRCLIP	1		1	
33	24135-60A01	PLATE, BEARING	1		1	
34	09103-06083	BOLT (6X16)	2		2	
35	24351-60A10	GEAR, COUNTER SHAFT 5TH	1		1	
36	21947-85C30	PLUG	1		1	
37	24400-60A00	HUB, SYNC LOW SPEED	1		1	
38	24410-60A00	HUB, SYNC HIGH SPEED	1		1	
39	24420-60A01	HUB, SYNC REV	1		1	
40	24431-83001	RING, SYNC LOW SPEED	2		2	
41	24432-60A00	RING, SYNC HIGH SPEED	3		3	

SEA16/SEA19TD - MY97,MY98

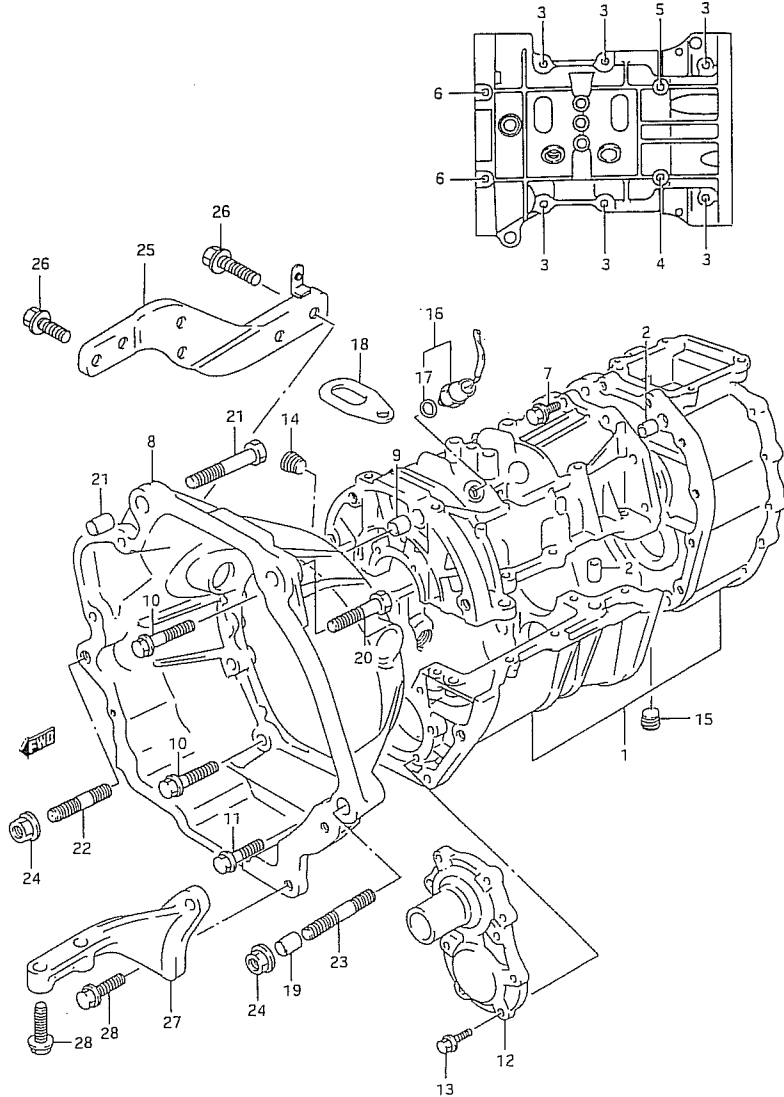
# FIG. 49



# FIG 49. MT TRANSMISSION (MT)

REF. NO.	PART NO.	DESCRIPTION	Q' TY		REMARKS
			C	V	
42	09388-00017	SPRING, LOW SPEED	2	2	
43	09388-00019	SPRING, HIGH SPEED	4	4	
44	24471-60A00	KEY	6	6	
45	24473-70D10	KEY	3	3	
46	24681-60A00	GEAR, MAIN SHAFT REV	1	1	
47	09263-35028	BEARING	1	1	
48	09300-30003	BUSH	1	1	
49	24671-85C00	GEAR, COUNTER SHAFT REV	1	1	
50	24561-85F00	GEAR, REV IDLE	1	1	
51	09263-26030	BEARING	1	1	
52	24551-56B00	SHAFT, REV GEAR	1	1	
53	09166-16020	WASHER	1	1	
54	24565-60B00	BOLT	1	1	
55	21945-85C20	WASHER	1	1	
56	24137-60A10	GEAR, FRICTION	1	1	
57	24138-85C00	RETAINER, FRICTION GEAR	1	1	
58	24139-85C00	SPRING, FRICTION GEAR	1	1	
59	09261-02010	PIN	1	1	
60	21933-85C60	RING, SNAP	1	1	

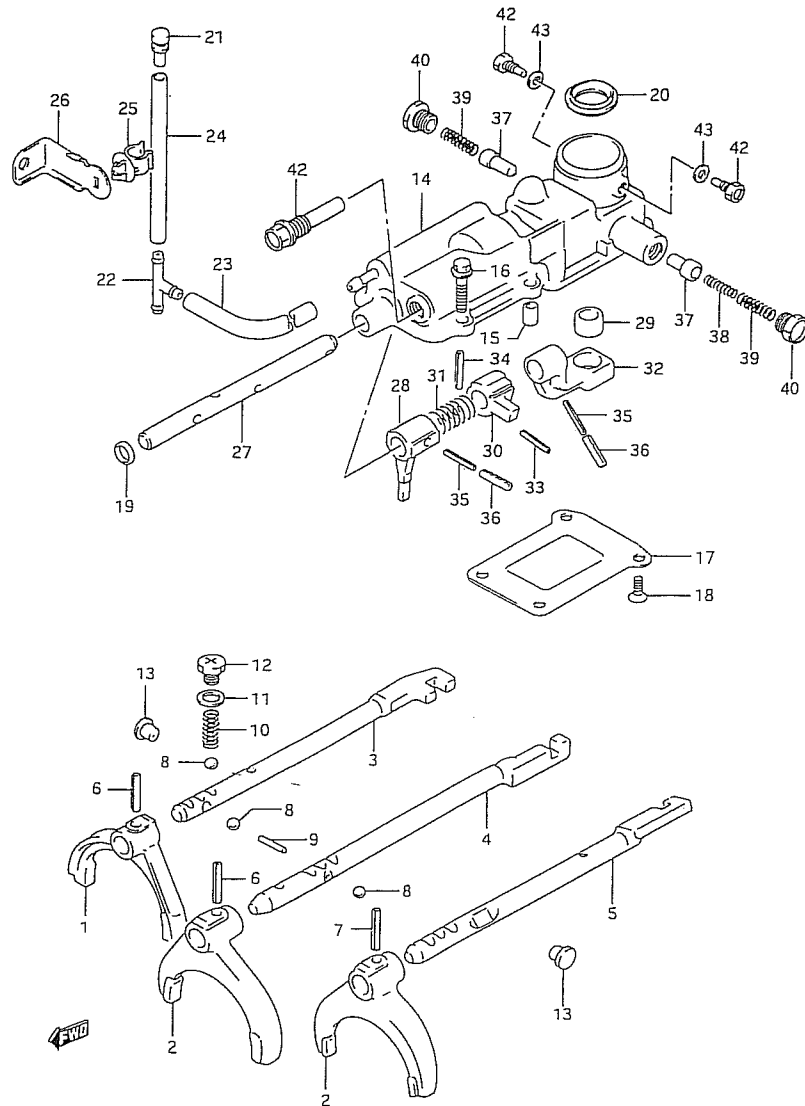
# FIG. 50



## FIG 50. MT TRANSMISSION CASE (MT)

REF. NO.	PART NO.	DESCRIPTION	C	Q' TY	V	REMARKS
1	24700-60A80	CASE ASSY, TRANSMISSION	1	1		
2	09206-13011	.PIN	4	4		
3	01550-08303	.BOLT	6	6		
4	01550-08953	.BOLT (8X95)	1	1		
5	09103-08134	.BOLT (8X110)	1	1		
6	09103-08131	.BOLT (8X120)	2	2		
7	01550-08303	.BOLT	12	12		
8	21341-77E00	HOUSING, CLUTCH	1	1		
9	09206-13011	PIN	2	2		
10	01550-10403	BOLT	6	6		
11	01550-10503	BOLT	2	2		
12	24741-60A01	RETAINER, INPUT SHAFT BEARING	1	1		
13	09103-08153	BOLT (8X30)	8	8		
14	21947-85C40	PLUG, OIL FILLER & LEVEL	1	1		
15	21947-85C50	PLUG, OIL DRAIN	1	1		
16	37610-83001	SWITCH ASSY, BACK UP LAMP	1	1		
17	09280-11002	.O RING	1	1		
18	11851-62B00	HOOK, ENGINE	1	1		
19	09206-15001	PIN	2	2		
20	01517-12653	BOLT	1	1		
21	01517-12753	BOLT	1	1		
22	09108-12006	STUD BOLT	1	1		
23	09108-12007	STUD BOLT	1	1		
24	08316-10123	NUT	2	2		
25	24790-56B10	STIFFNER, RH	1	1		
26	01550-10203	BOLT	4	4		
27	24791-56B00	STIFFNER, LH	1	1		
28	01517-10353	BOLT	4	4		

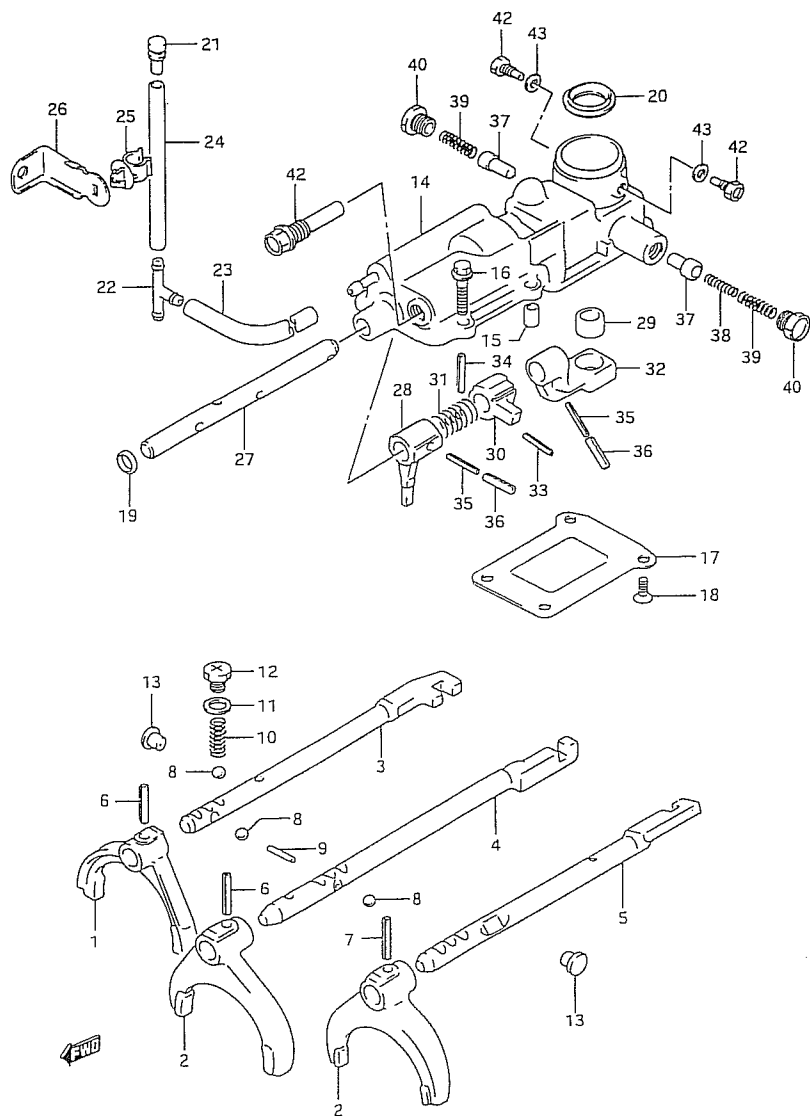
# FIG. 51



# FIG 51. MT GEAR SHIFT FORK (MT)

REF. NO.	PART NO.	DESCRIPTION	Q' TY		REMARKS
			C	V	
1	25211-60A02	FORK, LOW SPEED GEAR SHIFT	1	1	
2	25221-60A11	FORK, HIGH & REV GEAR SHIFT	2	2	
3	25410-60A00	SHAFT, LOW SPEED GEAR SHIFT	1	1	
4	25420-60A10	SHAFT, HIGH SPEED GEAR SHIFT	1	1	
5	25450-60A00	SHAFT, REV GEAR SHIFT	1	1	
6	09205-05012	SPRING PIN	2	2	
7	09205-05016	SPRING PIN	1	1	
8	06112-12004	BALL	5	5	
9	09261-03017	ROLLER	1	1	
10	25415-85C00	SPRING	3	3	
11	21945-85C30	WASHER	3	3	
12	09248-12005	SCREW	3	3	
13	09250-10006	PLUG	2	2	
14	25120-60A01	CASE, GEAR SHIFT LEVER	1	1	
15	04211-09149	PIN	2	2	
16	01550-08203	BOLT	5	5	
17	25129-60A00	PLATE, GEAR SHIFT CASE	1	1	
18	02122-06166	SCREW	4	4	
19	21947-85C10	PLUG	1	1	
20	28117-60A00	SEAT, CASE	1	1	
21	46543-85C00	BREATHER, MISSION	1	1	
22	09367-08004	UNION, 3 WAY HOSE	1	1	
23	21931-85C10	HOSE, BREATHER	1	1	
24	21931-85C10	HOSE, BREATHER	1	1	
25	09403-11311	CLAMP, BREATHER HOSE	1	1	
26	24831-57B00	BRACKET, HOSE CLAMP	1	1	
27	25521-60A11	SHAFT, GEAR SHIFT	1	1	
28	25541-60A03	LEVER, GEAR SHIFT	1	1	
29	25551-85C00	BUSH, LEVER	1	1	
30	25271-60A01	YOKE, GEAR SHIFT LIM	1	1	
31	21935-85C10	SPRING	1	1	
32	25531-60A01	ARM, GEAR SHIFT	1	1	
33	09205-05012	SPRING PIN	1	1	
34	09205-05015	SPRING PIN	1	1	
35	09205-03037	SPRING PIN, INNER	2	2	
36	09205-06007	SPRING PIN, OUTER	2	2	
37	25341-80701	PIN, SELECT GUIDE	2	2	
38	09440-05037	SPRING, INNER	1	1	
39	09440-08029	SPRING, OUTER	2	2	
40	21947-85C60	BOLT	2	2	
41	25281-60A02	BOLT, REV GEAR SHIFT LIM	1	1	

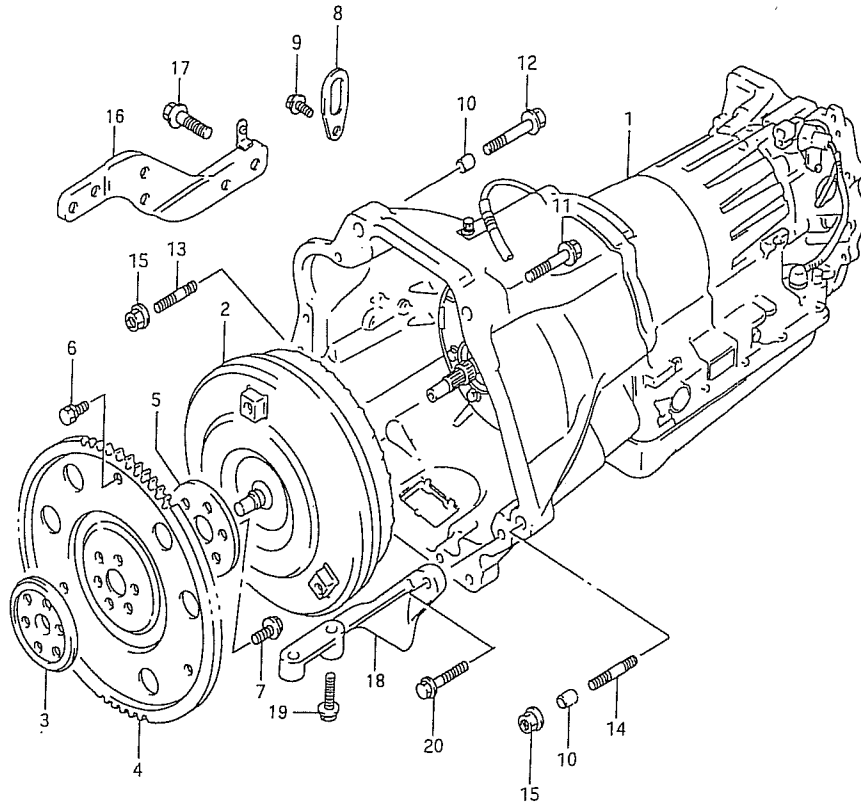
# FIG. 51



## FIG 51. MT GEAR SHIFT FORK (MT)

REF. NO.	PART NO.	DESCRIPTION	QTY		REMARKS
			C	V	
42	21941-85C50	BOLT	2	2	
43	21945-85C00	LOCK WASHER	2	2	

# FIG. 52



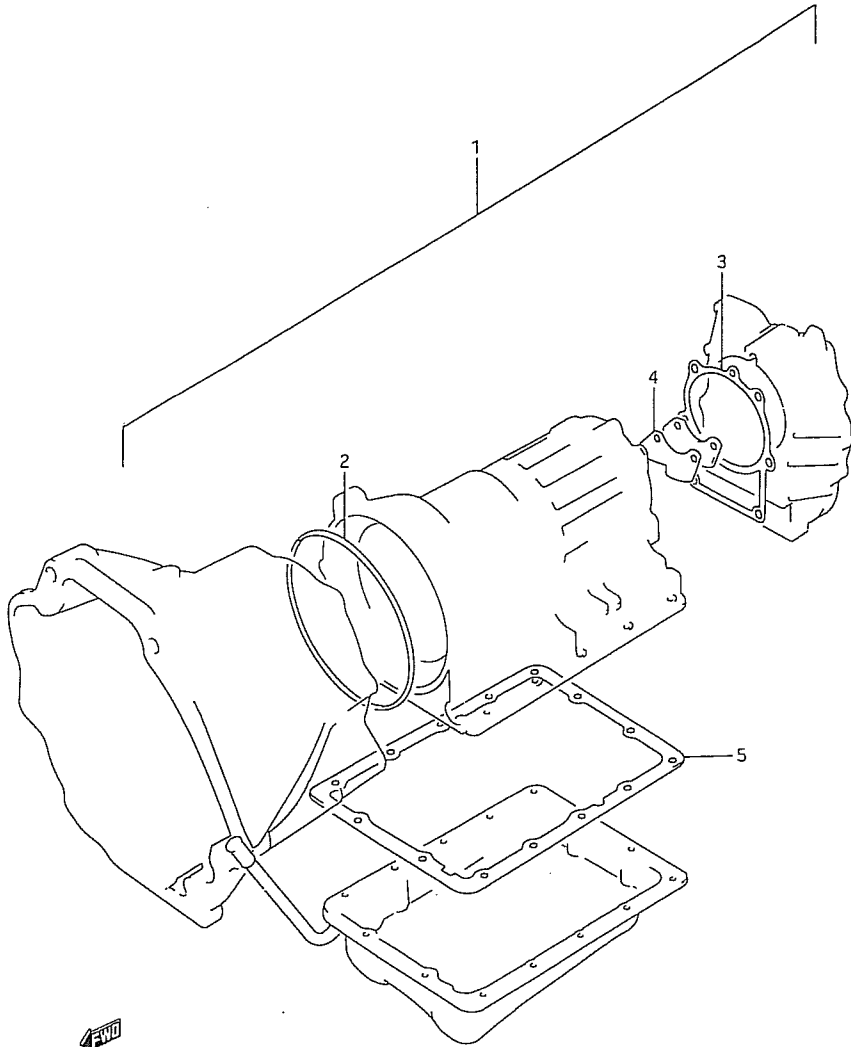
# FIG 52. AUTOMATIC TRANSMISSION (AT)

REF. NO.	PART NO.	DESCRIPTION	Q' TY		REMARKS
			C	V	
1	21000-57X51	TRANSMISSION ASSY, AUTOMATIC	1	1	
2	22700-77EA0	.CONVERTER, TORQUE	1	1	
3	22611-61A02	FLANGE, DRIVE PLATE FRONT	1	1	
4	22620-57B00	PLATE, DRIVE	1	1	
5	22631-61A00	FLANGE, DRIVE PLATE REAR	1	1	
6	09103-10286	BOLT (10X13.5)	3	3	
7	09103-10200	BOLT (10X18.5)	6	6	
8	11851-62B00	HOOK, ENGINE	1	1	
9	01550-06123	BOLT	1	1	
10	09206-15001	PIN	2	2	
11	01517-12653	BOLT	1	1	
12	01517-12753	BOLT	1	1	
13	09108-12006	STUD BOLT	1	1	
14	09108-12007	STUD BOLT	1	1	
15	08316-10123	NUT	2	2	
16	24790-56B10	STIFFENER, CASE RH	1	1	
17	01550-10203	BOLT	4	4	
18	24791-56B00	STIFFENER, CASE LH	1	1	
19	01517-10353	BOLT	4	4	

# FIG. 53

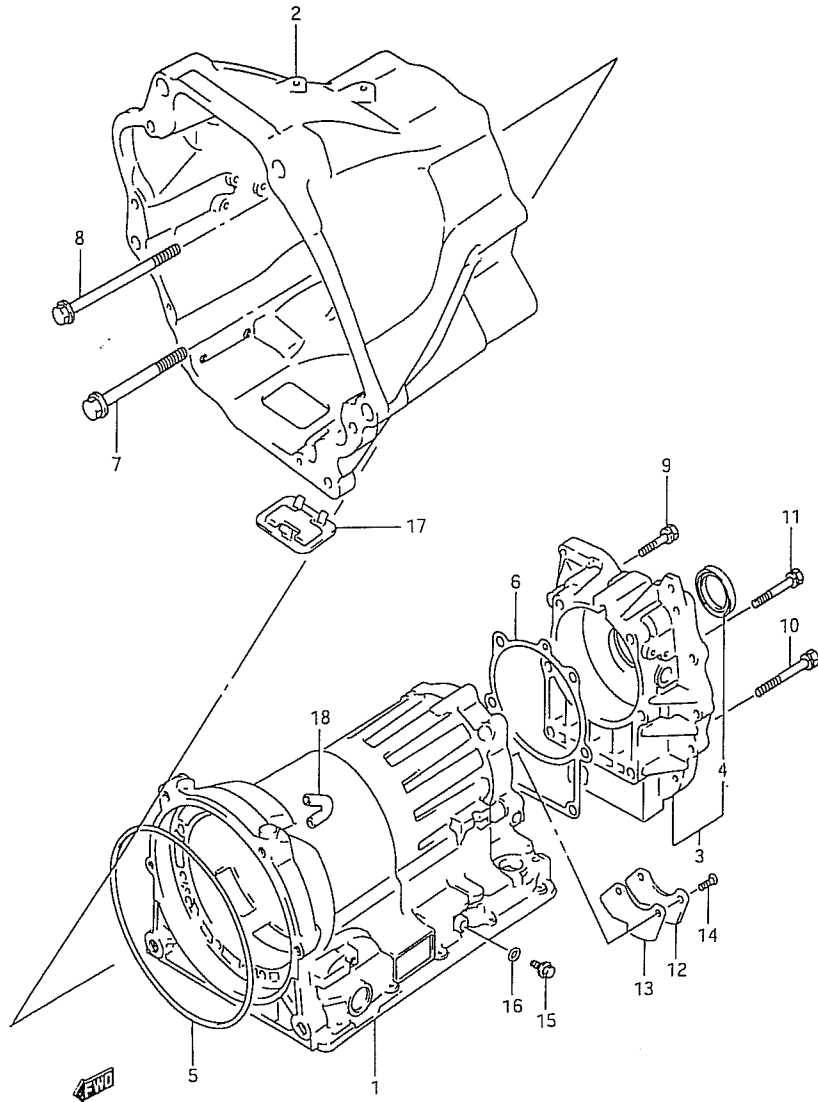
## FIG 53. AT GASKET SET (AT)

REF. NO.	PART NO.	DESCRIPTION	Q' TY		REMARKS
			C	V	
1	24780-57BT0	GASKET SET, AT	1	1	
2	29736-57B00	.O RING, HOUSING	1	1	
3	24784-57B00	.GASKET, ADAPTOR	1	1	
4	24783-57B00	.GASKET, OIL GALLERY COVER	1	1	
5	24782-57B00	.GASKET, OIL PAN	1	1	
6	24700-57BT0	OVERHAUL SET, AT	1	1	NOT SHOWN



FRD

# FIG. 54

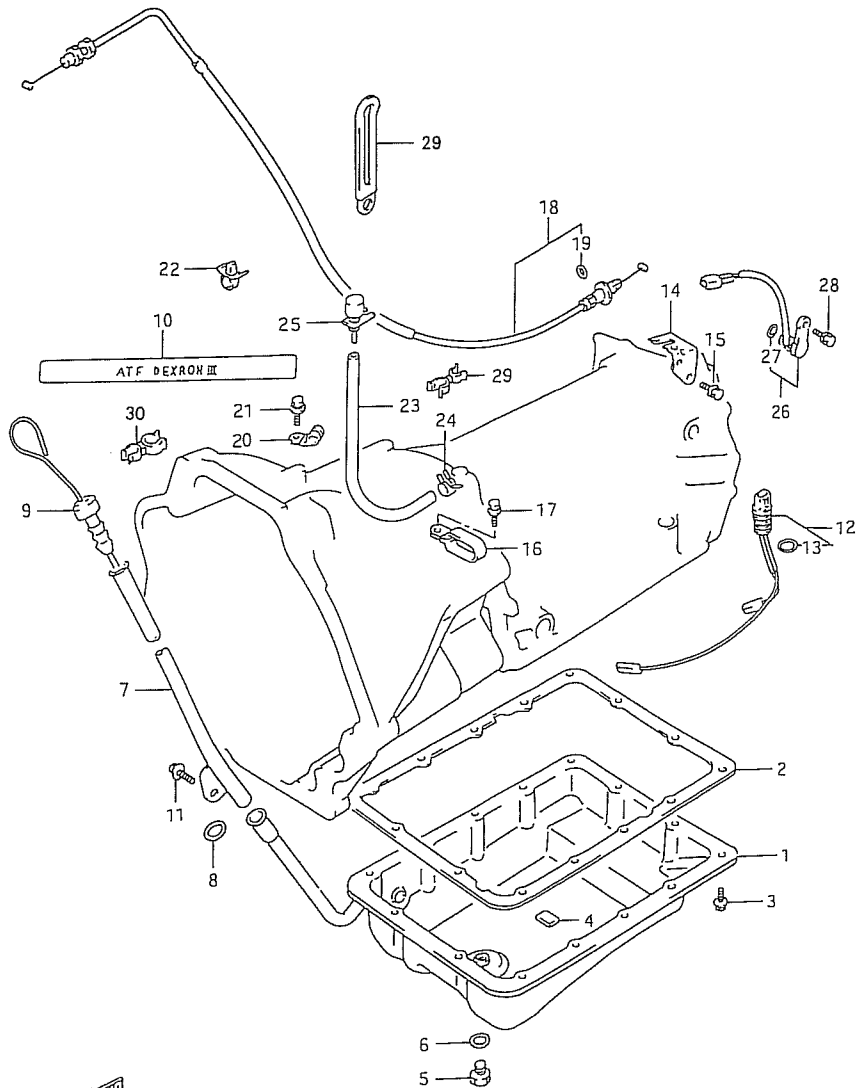


## FIG 54. AT TM CASE (AT)

REF. NO.	PART NO.	DESCRIPTION	QTY		REMARKS
			C	V	
1-1	24712-57B00	CASE ASSY, TRANSMISSION	1	1	MY97,
1-2	24712-57X50	CASE ASSY, TRANSMISSION	1	1	MY98,
2	24711-57B00	HOUSING, TORQUE CONVERTER	1	1	
3	24710-57B01	CASE ASSY, ADAPTOR	1	1	
4	29792-57B01	.SEAL, ADAPTOR CASE	1	1	
5	29736-57B00	O RING, HOUSING	1	1	
6	24784-57B00	GASKET, ADAPTOR	1	1	
7	29995-57B00	BOLT, HOUSING NO.2	2	2	
8	29996-57B00	BOLT, HOUSING NO.1	4	4	
9	01570-10453	BOLT	4	4	
10	29972-57B00	BOLT, ADAPTOR NO.3	1	1	
11	29991-57B00	BOLT, ADAPTOR NO.2	1	1	
12	24761-57B00	COVER, PLATE	1	1	
13	24783-57B00	GASKET, COVER	1	1	
14	29994-57B00	SCREW, COVER	3	3	
15	29849-57B00	PLUG, TRANSMISSION CASE	2	2	
16	29738-57B00	O RING, CASE PLUG	2	2	
17	22641-61A01	CAP, HOUSING	1	1	
18	24772-57B00	ADAPTOR, BREATHER	1	1	



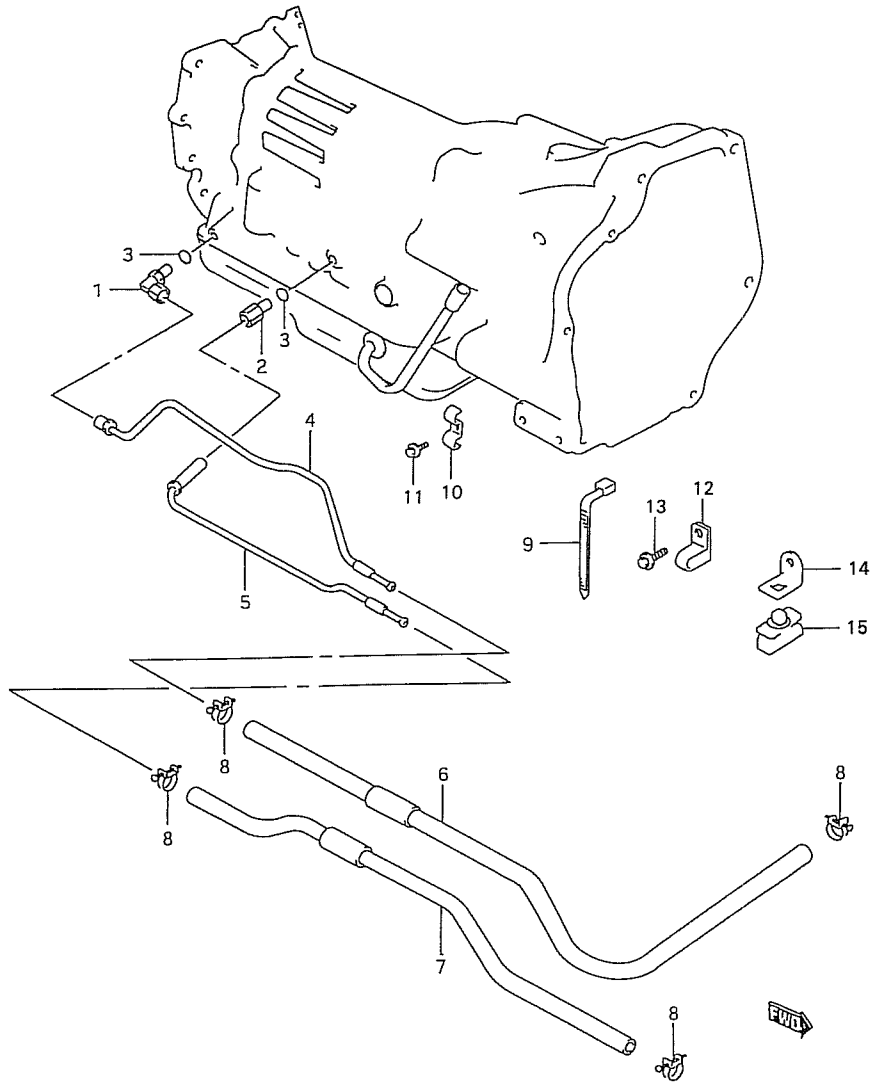
# FIG. 55



## FIG 55. AT OIL PAN AND WIRE HARNESS (AT)

REF. NO.	PART NO.	DESCRIPTION	Q' TY		REMARKS
			C	V	
1	24741-57B01	PAN, OIL	1	1	
2	24782-57B00	GASKET, OIL PAN	1	1	
3	09117-06002	BOLT (6X14)	14	14	
4	24745-57B00	MAGNET, OIL PAN	2	2	
5	24742-57B00	PLUG, DRAIN	1	1	
6	24781-57B00	GASKET, DRAIN PLUG	1	1	
7	22940-57B01	TUBE, OIL FILLER	1	1	
8	09280-10014	O RING	1	1	
9	22951-57B01	GAUGE, OIL	1	1	
10	24839-61A31	EMBLEM, ATF	1	1	
11	01550-08203	BOLT	2	2	
12	24732-57B10	HARNESS, SOLENOID WIRE	1	1	
13	29726-57B00	.O RING, WIRE HARNESS	1	1	
14	26150-57B00	BRACKET, WIRE HARNESS	1	1	
15	01550-06123	BOLT	1	1	
16	09403-16407	CLAMP	1	1	
17	01550-06123	BOLT	1	1	
18	24751-57B00	CABLE ASSY, THROTTLE	1	1	
19	29727-57B00	.O RING, CABLE	1	1	
20	24733-57B00	CLAMP, CABLE	1	1	
21	29969-57B00	BOLT, CABLE CLAMP	1	1	
22	09408-00151	CLAMP	1	1	
23	24771-57B00	HOSE, TRANSMISSION BREATHER	1	1	
24	24735-57B00	CLIP, BREATHER HOSE	1	1	
25	24773-57B00	BREATHER, TRANSMISSION	1	1	
26	24791-57B00	SENSOR, SPEED	1	1	
27	29725-57B00	.O RING, SPEED SENSOR	1	1	
28	29989-57B00	BOLT, SPEED SENSOR	1	1	
29	09404-08207	CLAMP (L:97)	1	1	MY98
30	09408-00145	CLAMP	1	1	

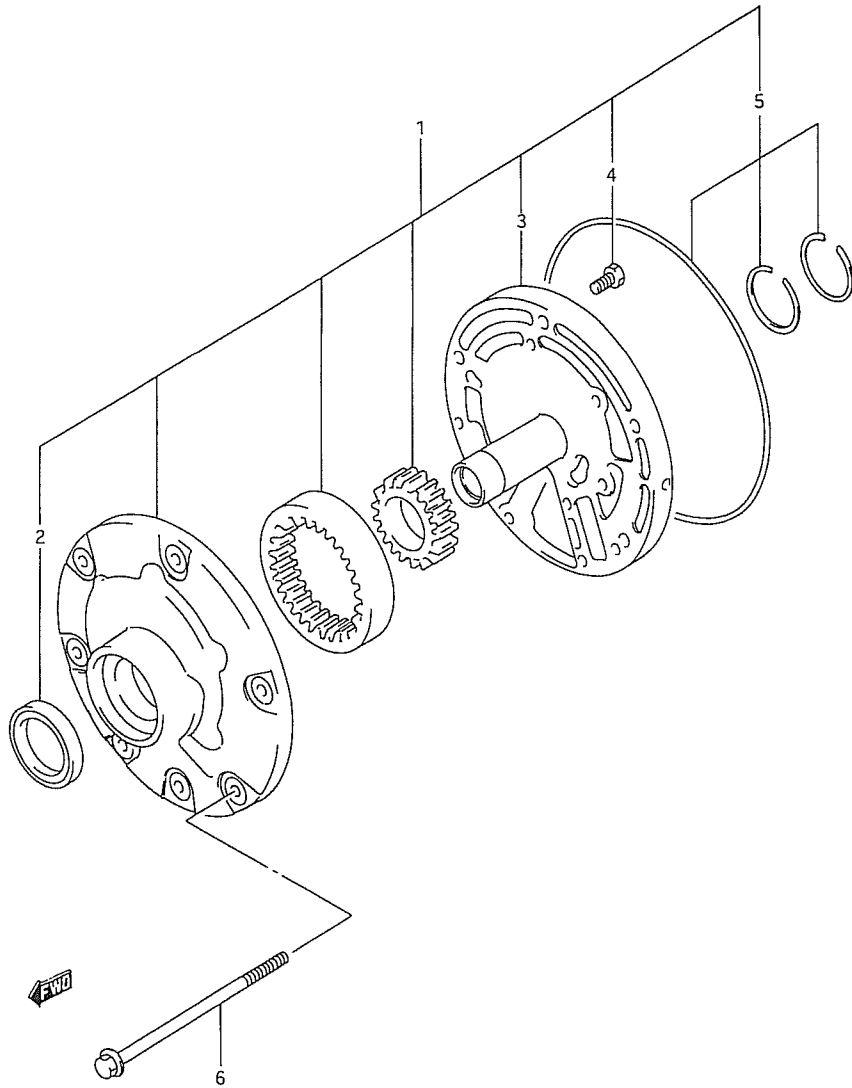
# FIG. 56



## FIG 56. AT OIL HOSE (AT)

REF. NO.	PART NO.	DESCRIPTION	Q' TY		REMARKS
			C	V	
1	24744-57B00	ELBOW, OIL INLET	1	1	
2	24743-57B01	UNION, OIL OUTLET	1	1	
3	29737-57B00	O RING, PIPE	2	2	
4	22910-57B01	PIPE, OIL INLET	1	1	
5	22920-57B01	PIPE, OIL OUTLET	1	1	
6	24891-56X52	HOSE, OIL INLET (L:1000>890)	1	1	
7	24891-56X52	HOSE, OIL OUTLET (L:1000>630)	1	1	
8	09400-15311	CLAMP	4	4	
9	36990-85C10	CLAMP (L:125)	1	1	
10	24899-85500	PLATE, OIL PIPE	1	1	
11	01550-06123	BOLT	1	1	
12	09404-10418	CLAMP, TRANSMISSION CASE	1	1	
13	01550-10203	BOLT	1	1	
14	22935-61A00	BRACKET, CLAMP	1	1	
15	09403-14309	CLAMP	1	1	

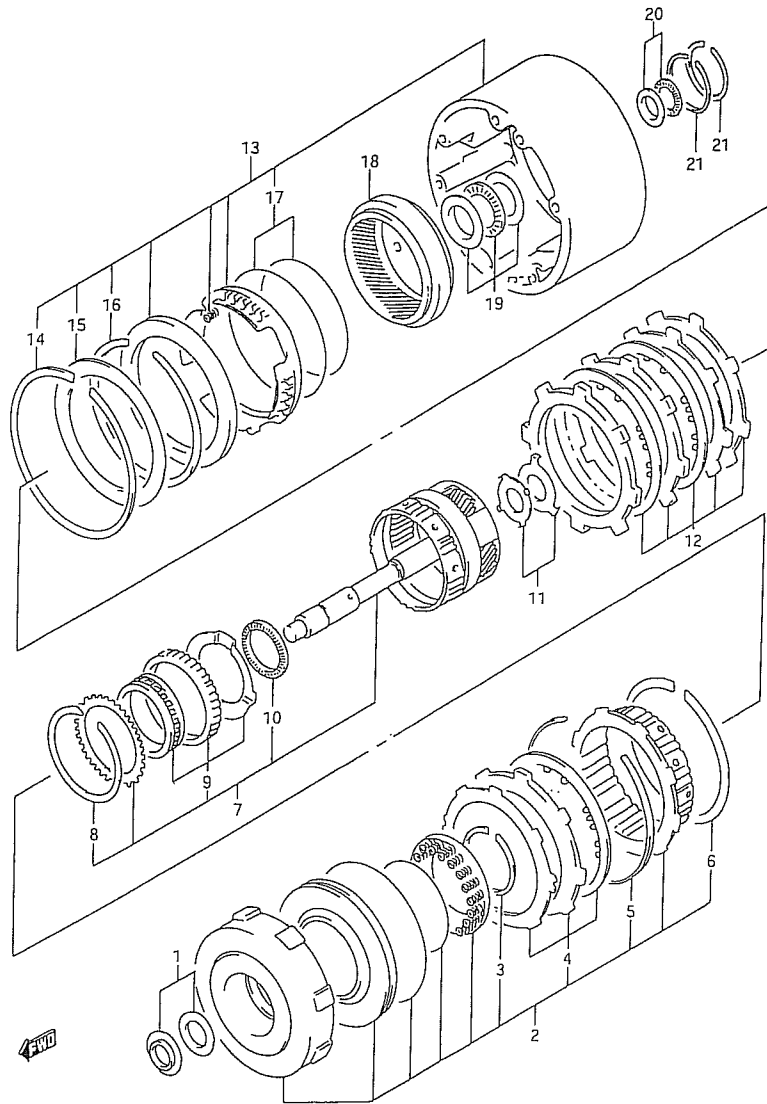
# FIG. 57



## FIG 57. AT OIL PUMP (AT)

REF. NO.	PART NO.	DESCRIPTION	Q' TY		REMARKS
			C	V	
1	22800-57B00	PUMP ASSY, OIL	1	1	
2	29799-57B00	.SEAL, OIL PUMP	1	1	
3	22820-57B00	.COVER, OIL PUMP	1	1	
4	29999-57B00	.BOLT, COVER	6	6	
5	22860-57B00	.RING SET, OIL PUMP SEAL	1	1	
6	29998-57B00	BOLT, OIL PUMP	7	7	

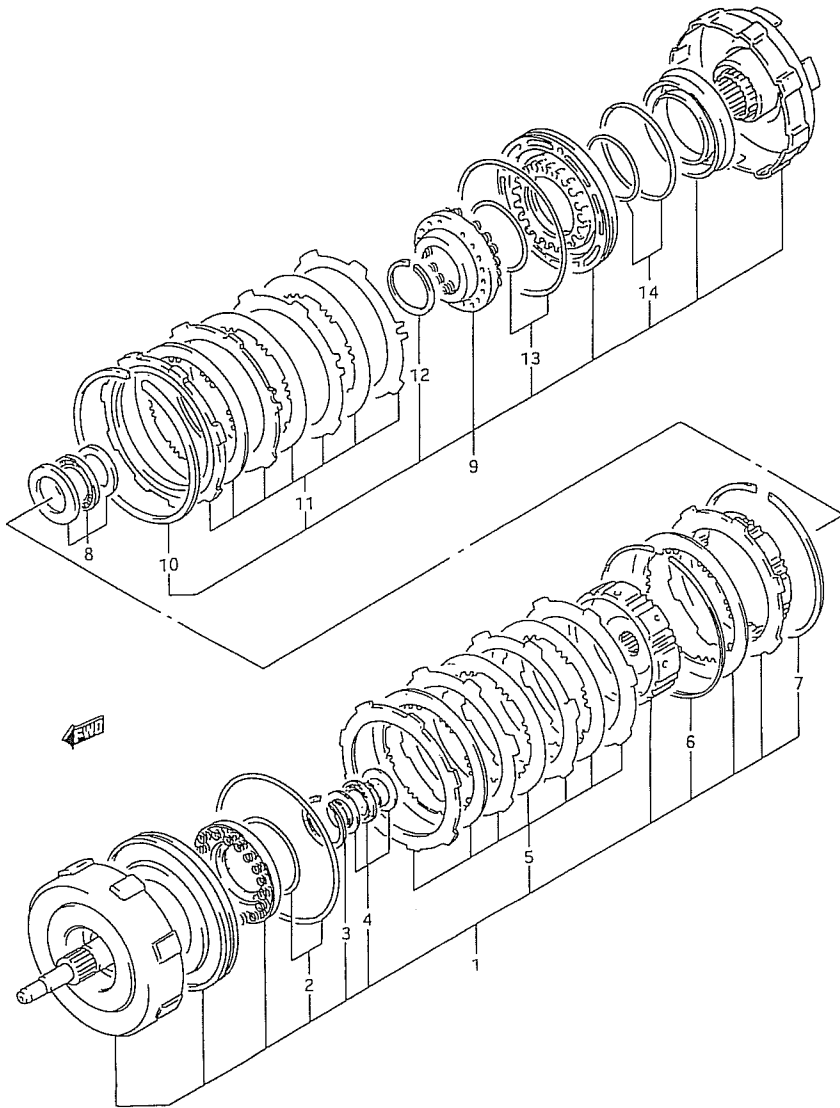
# FIG. 58



# FIG 58. AT OVER DRIVE (AT)

REF. NO.	PART NO.	DESCRIPTION	Q' TY		REMARKS
			C	V	
1	24963-57BT0	BEARING SET, THRUST NO.5	1	1	
2	24100-57B00	CLUTCH ASSY, OVER DRIVE	1	1	
3	28949-57B00	.RING, CLUTCH SNAP	1	1	
4	24111-57BT0	.DISK SET, OVER DRIVE CLUTCH	1	1	
5	24191-57B00	.RING, RETAINING CLUTCH	1	1	
6	24192-57B00	.RING, RETAINING BRAKE HUB	1	1	
7	24140-57B00	GEAR ASSY, OVER DRIVE	1	1	
8	24193-57B00	.RING, RETAINING PLNTY	1	1	
9	26850-57BT0	.CLUTCH ASSY, ONE WAY	1	1	
10	29698-57B00	.BEARING, THRUST	1	1	
11	24163-57BT0	WASHER SET, THRUST PLNTY	1	1	
12	24114-57BT0	DISC SET, OVER DRIVE BRAKE	1	1	
13	26310-57BT0	PISTON ASSY, OVER DRIVE BRAKE	1	1	
14	24194-57B00	.RING, BRAKE FRONT	1	1	
15	24118-57B00	.PLATE, BRAKE CUSHION	1	1	
16	24194-57B00	.RING, BRAKE FRONT	1	1	
17	29745-57BT0	.O RING SET, BRAKE PISTON	1	1	
18	24142-57B00	GEAR, PLNTY RING	1	1	
19	24961-57BT0	BEARING SET, THRUST NO.3	1	1	
20	24964-57BT0	BEARING SET, THRUST NO.6	1	1	
21	29797-57B00	SEAL RING, REAR	2	2	

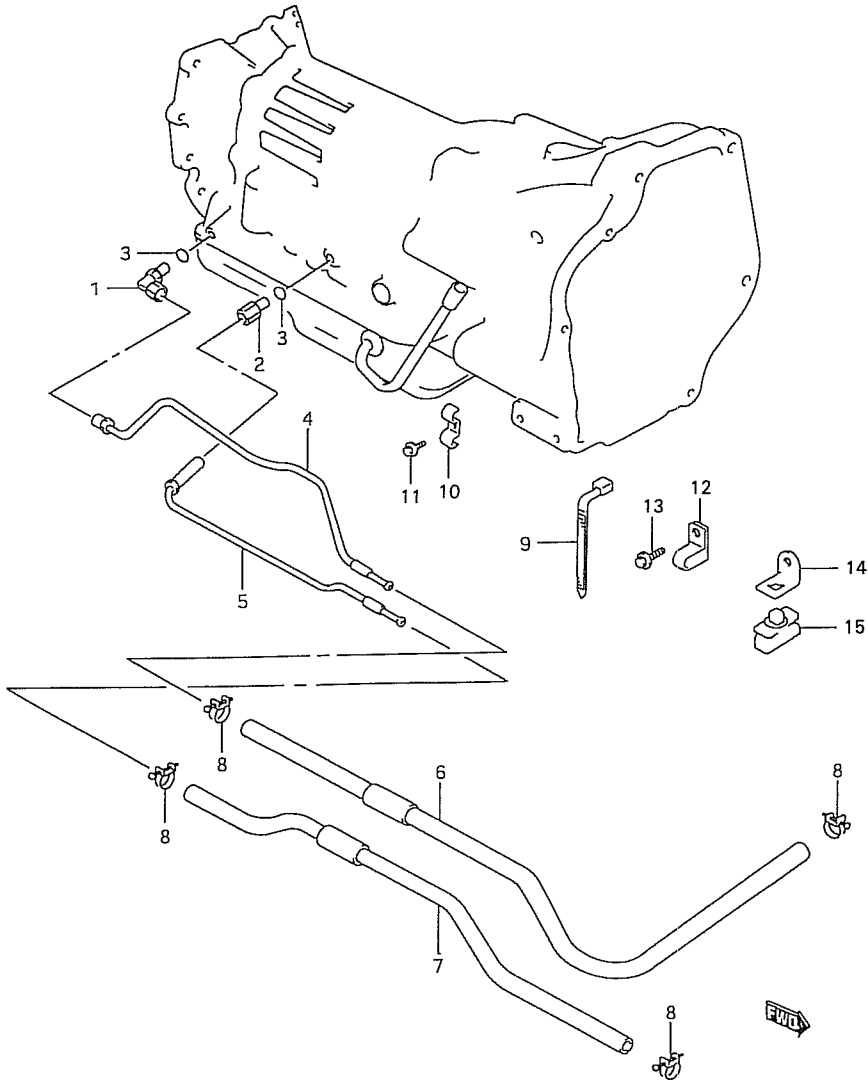
# FIG. 59



## FIG 59. AT CLUTCH (AT)

REF. NO.	PART NO.	DESCRIPTION	Q' TY		REMARKS
			C	V	
1-1	26601-57B01	CLUTCH ASSY, FWD	1	1	MY97,
1-2	26601-57B10	CLUTCH ASSY, FWD	1	1	MY98,
2	26622-57BT0	.O RING SET, CLUTCH NO.1	1	1	
3	26691-57B00	.RING, RETURN SPRING	1	1	
4	26661-57BT0	.BEARING SET, THRUST NO.7	1	1	
5-1	26631-57BT0	.PLATE SET, DIRECT CLUTCH	1	1	MY97,
5-2	26631-57BU0	.PLATE SET, DIRECT CLUTCH	1	1	MY98,
6-1	24191-57B00	.RING, CLUTCH	1	1	MY97
6-2	26823-60G10	.RING, CLUTCH	1	1	MY98
7	26692-57B01	.RING, BACK PLATE	1	1	
8	26662-57BT0	BEARING SET, THRUST NO.8	1	1	
9	26602-57B00	CLUTCH ASSY, DIRECT	1	1	
10	26692-57B10	.RING, BACK PLATE	1	1	
11	26621-57BT0	.PLATE SET, DIRECT CLUTCH	1	1	
12	26691-57B00	.RING, RETURN SPRING	1	1	
13	26622-57BT0	.O RING SET, DIRECT CLUTCH	1	1	
14	26632-57BT0	.O RING SET, DIRECT CLUTCH	1	1	

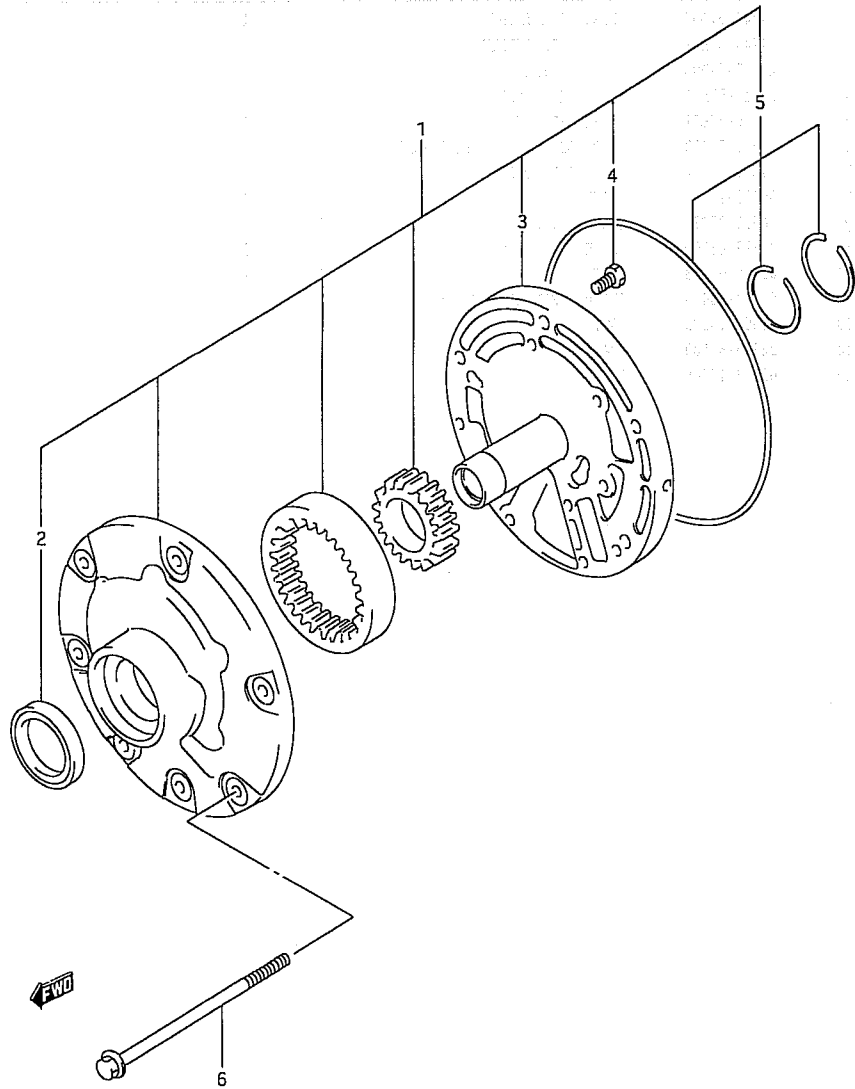
# FIG. 56



# FIG 56. AT OIL HOSE (AT)

REF. NO.	PART NO.	DESCRIPTION	Q' TY		REMARKS
			C	V	
1	24744-57B00	ELBOW, OIL INLET	1	1	
2	24743-57B01	UNION, OIL OUTLET	1	1	
3	29737-57B00	O RING, PIPE	2	2	
4	22910-57B01	PIPE, OIL INLET	1	1	
5	22920-57B01	PIPE, OIL OUTLET	1	1	
6	24891-56X52	HOSE, OIL INLET (L:1000>890)	1	1	
7	24891-56X52	HOSE, OIL OUTLET (L:1000>630)	1	1	
8	09400-15311	CLAMP	4	4	
9	36990-85C10	CLAMP (L:125)	1	1	
10	24899-85500	PLATE, OIL PIPE	1	1	
11	01550-06123	BOLT	1	1	
12	09404-10418	CLAMP, TRANSMISSION CASE	1	1	
13	01550-10203	BOLT	1	1	
14	22935-61A00	BRACKET, CLAMP	1	1	
15	09403-14309	CLAMP	1	1	

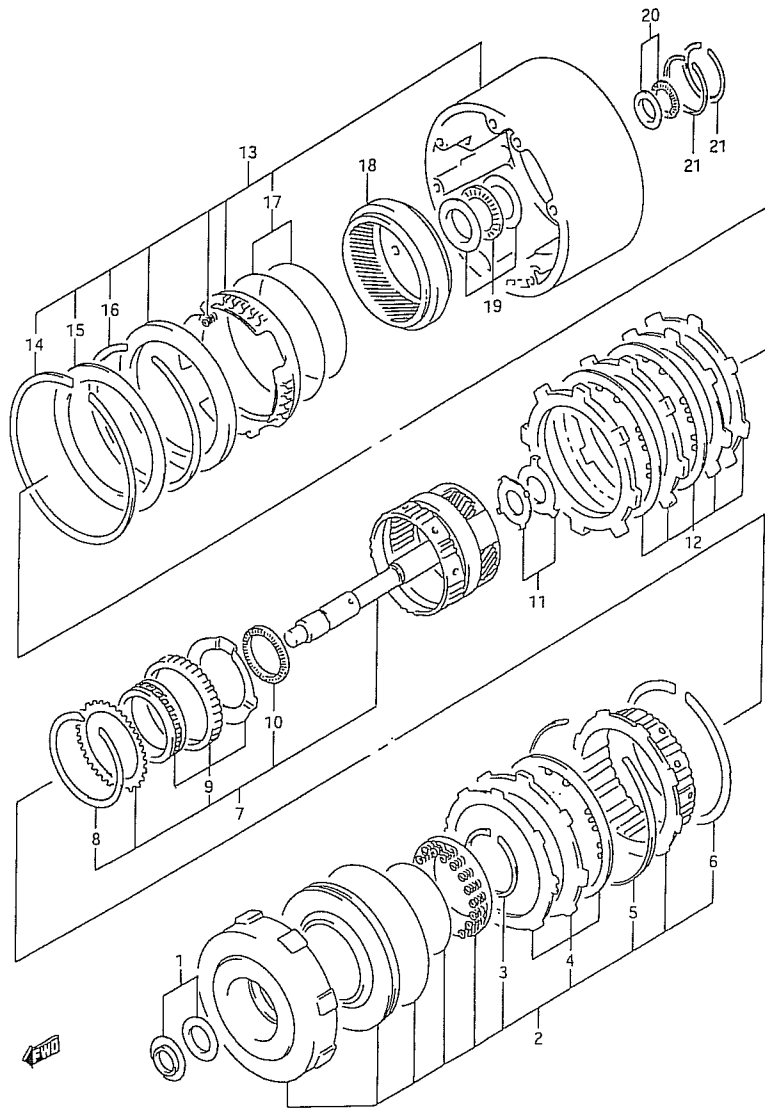
# FIG. 57



## FIG 57. AT OIL PUMP (AT)

REF. NO.	PART NO.	DESCRIPTION	Q' TY		REMARKS
			C	V	
1	22800-57B00	PUMP ASSY, OIL	1	1	
2	29799-57B00	.SEAL, OIL PUMP	1	1	
3	22820-57B00	.COVER, OIL PUMP	1	1	
4	29999-57B00	.BOLT, COVER	6	6	
5	22860-57BT0	.RING SET, OIL PUMP SEAL	1	1	
6	29998-57B00	BOLT, OIL PUMP	7	7	

# FIG. 58

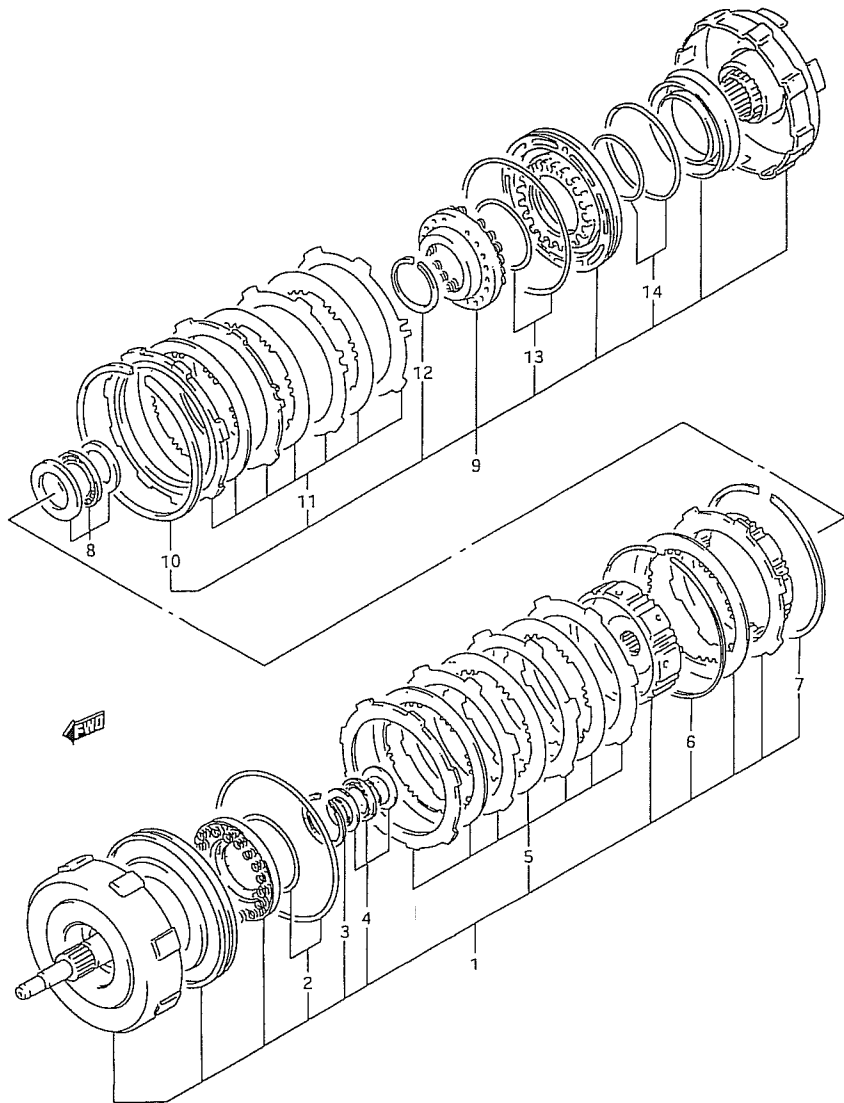


## FIG 58. AT OVER DRIVE (AT)

REF. NO.	PART NO.	DESCRIPTION	C	Q' TY	V	REMARKS
1	24963-57BTO	BEARING SET, THRUST NO.5	1	1		
2	24100-57B00	CLUTCH ASSY, OVER DRIVE	1	1		
3	28949-57B00	.RING, CLUTCH SNAP	1	1		
4	24111-57BTO	.DISK SET, OVER DRIVE CLUTCH	1	1		
5	24191-57B00	.RING, RETAINING CLUTCH	1	1		
6	24192-57B00	.RING, RETAINING BRAKE HUB	1	1		
7	24140-57B00	GEAR ASSY, OVER DRIVE	1	1		
8	24193-57B00	.RING, RETAINING PLNTY	1	1		
9	26850-57BTO	.CLUTCH ASSY, ONE WAY	1	1		
10	29698-57B00	.BEARING, THRUST	1	1		
11	24163-57BTO	WASHER SET, THRUST PLNTY	1	1		
12	24114-57BTO	DISC SET, OVER DRIVE BRAKE	1	1		
13	26310-57BTO	PISTON ASSY, OVER DRIVE BRAKE	1	1		
14	24194-57B00	.RING, BRAKE FRONT	1	1		
15	24118-57B00	.PLATE, BRAKE CUSHION	1	1		
16	24194-57B00	.RING, BRAKE FRONT	1	1		
17	29745-57BTO	.O RING SET, BRAKE PISTON	1	1		
18	24142-57B00	GEAR, PLNTY RING	1	1		
19	24961-57BTO	BEARING SET, THRUST NO.3	1	1		
20	24964-57BTO	BEARING SET, THRUST NO.6	1	1		
21	29797-57B00	SEAL RING, REAR	2	2		



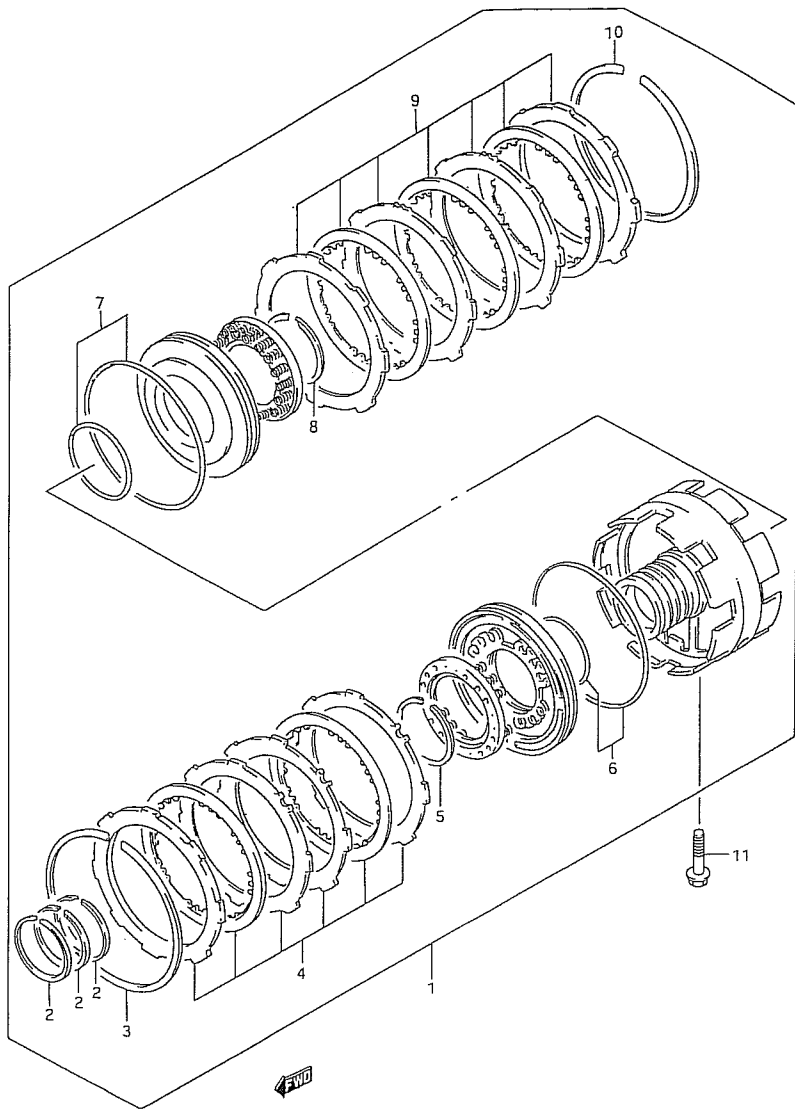
# FIG. 59



## FIG 59. AT CLUTCH (AT)

REF. NO.	PART NO.	DESCRIPTION	QTY		REMARKS
			C	V	
1-1	26601-57B01	CLUTCH ASSY, FWD	1	1	MY97,
1-2	26601-57B10	CLUTCH ASSY, FWD	1	1	MY98,
2	26622-57BT0	.O RING SET, CLUTCH NO.1	1	1	
3	26691-57B00	.RING, RETURN SPRING	1	1	
4	26661-57BT0	.BEARING SET, THRUST NO.7	1	1	
5-1	26631-57BT0	.PLATE SET, DIRECT CLUTCH	1	1	MY97,
5-2	26631-57BU0	.PLATE SET, DIRECT CLUTCH	1	1	MY98,
6-1	24191-57B00	.RING, CLUTCH	1	1	MY97
6-2	26823-60G10	.RING, CLUTCH	1	1	MY98
7	26692-57B01	.RING, BACK PLATE	1	1	
8	26662-57BT0	BEARING SET, THRUST NO.8	1	1	
9	26602-57B00	CLUTCH ASSY, DIRECT	1	1	
10	26692-57B10	.RING, BACK PLATE	1	1	
11	26621-57BT0	.PLATE SET, DIRECT CLUTCH	1	1	
12	26691-57B00	.RING, RETURN SPRING	1	1	
13	26622-57BT0	.O RING SET, DIRECT CLUTCH	1	1	
14	26632-57BT0	.O RING SET, DIRECT CLUTCH	1	1	

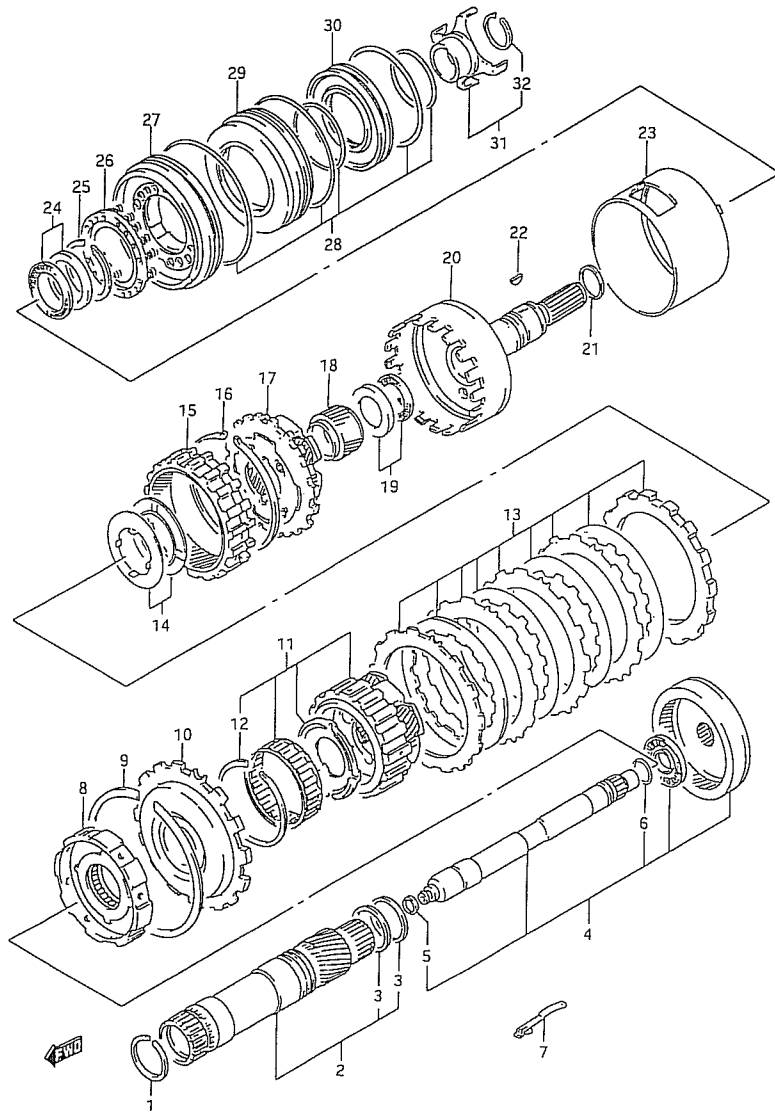
# FIG. 60



## FIG 60. AT CENTER SUPPORT (AT)

REF. NO.	PART NO.	DESCRIPTION	Q' TY		REMARKS
			C	V	
1	26900-57B00	BRAKE ASSY, DRIVE / 2ND	1	1	
2	29797-57B00	.RING, SEAL REAR	3	3	
3	26692-57B10	.RING, BACK PLATE	1	1	
4	26911-57B10	.DISC SET, B1 BRAKE	1	1	
5	28949-57B00	.RING, B1 BRAKE	1	1	
6	29743-57B10	.O RING SET, B1 BRAKE PISTON	1	1	
7	29742-57B10	.O RING SET, B2 BRAKE PISTON	1	1	
8	28949-57B00	.RING, B2 BRAKE	1	1	
9	26913-57B10	.DISC SET, B2 BRAKE	1	1	
10	26692-57B10	.RING, BACK PLATE	1	1	
11	29997-57B00	BOLT, CENTER SUPPORT	2	2	

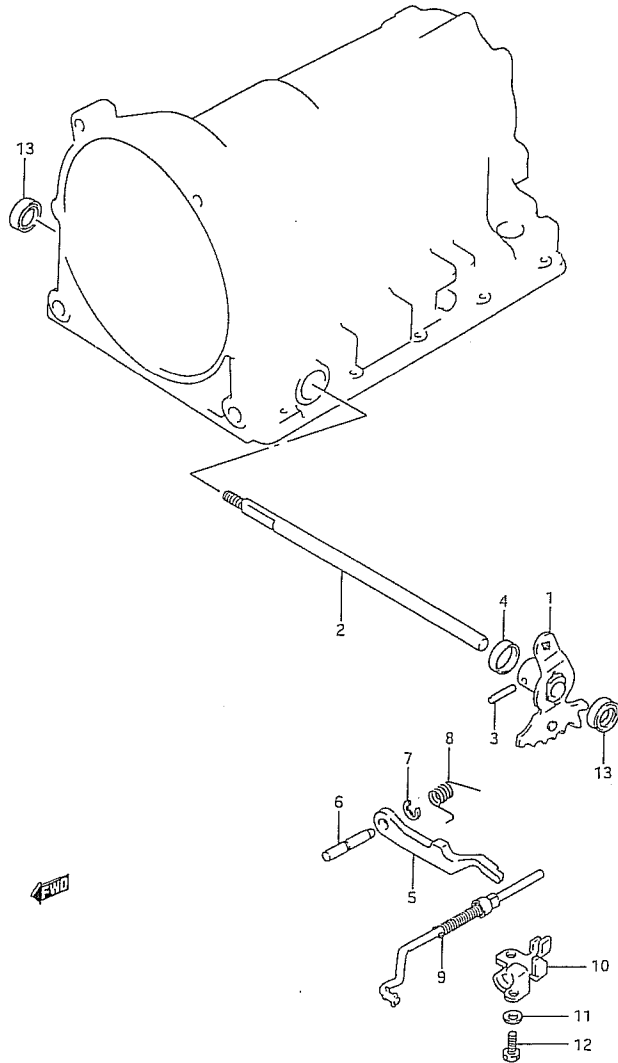
# FIG. 61



## FIG 61. AT PLANETARY GEAR (AT)

REF. NO.	PART NO.	DESCRIPTION	Q' TY		REMARKS
			C	V	
1	24991-57B00	RING, DIRECT CLUTCH	1	1	
2	24901-57B00	GEAR ASSY, PLNTY SUN	1	1	
3	29796-57B00	.RING, SUN GEAR SEAL	2	2	
4	24950-57B00	SHAFT ASSY, INNER	1	1	
5	29795-57B00	.RING, SLEEVE SEAL	1	1	
6	24995-57B00	.RING, INNER SHAFT	1	1	
7	29622-57B00	SPRING, LEAF	1	1	
8	24931-57B00	HUB ASSY, B2 BRAKE	1	1	
9	26891-57B00	RING, REACTION PLATE	1	1	
10	26831-57B00	PLATE, REV BRAKE REACTION	1	1	
11	24902-57B00	GEAR ASSY, FRONT PLNTY	1	1	
12	24993-57B00	.RING, CLUTCH	1	1	
13	26811-57BT0	PLATE SET, 1ST/REV BRAKE	1	1	
14	29945-57BT0	WASHER SET, THRUST PLNTY	1	1	
15	24943-57B00	GEAR, FRONT PLNTY RING	1	1	
16	24992-57B00	RING, FRONT PLNTY RING	1	1	
17	24944-57B00	GEAR, REAR PLNTY CARRIER	1	1	
18	24946-57B00	GEAR, PLNTY SUN	1	1	
19	26663-57BT0	BEARING SET, THRUST NO.9	1	1	
20	24952-57B01	SHAFT ASSY, OUT PUT	1	1	
21	29794-57B00	SEAL RING, OUT PUT SHAFT	1	1	
22	24971-57B00	KEY, WOODRUFF	1	1	
23	26832-57B00	TUBE, BRAKE APPLY	1	1	
24	24962-57BT0	BEARING SET, THRUST NO.4	1	1	
25	28949-57B00	RING, REV SPRING	1	1	
26	26841-57B00	SPRING, PISTON RETURN	1	1	
27	26821-57B00	PISTON, REVERSE BRAKE	1	1	
28	29729-57BT0	O RING SET, REV BRAKE PISTON	1	1	
29	26861-57B00	SLEEVE, REACTION	1	1	
30	26822-57B00	PISTON, SECONDARY REV	1	1	
31	24921-57BT0	ROTOR SET, CENTER	1	1	
32	24994-57B00	.RING, ROTOR	1	1	

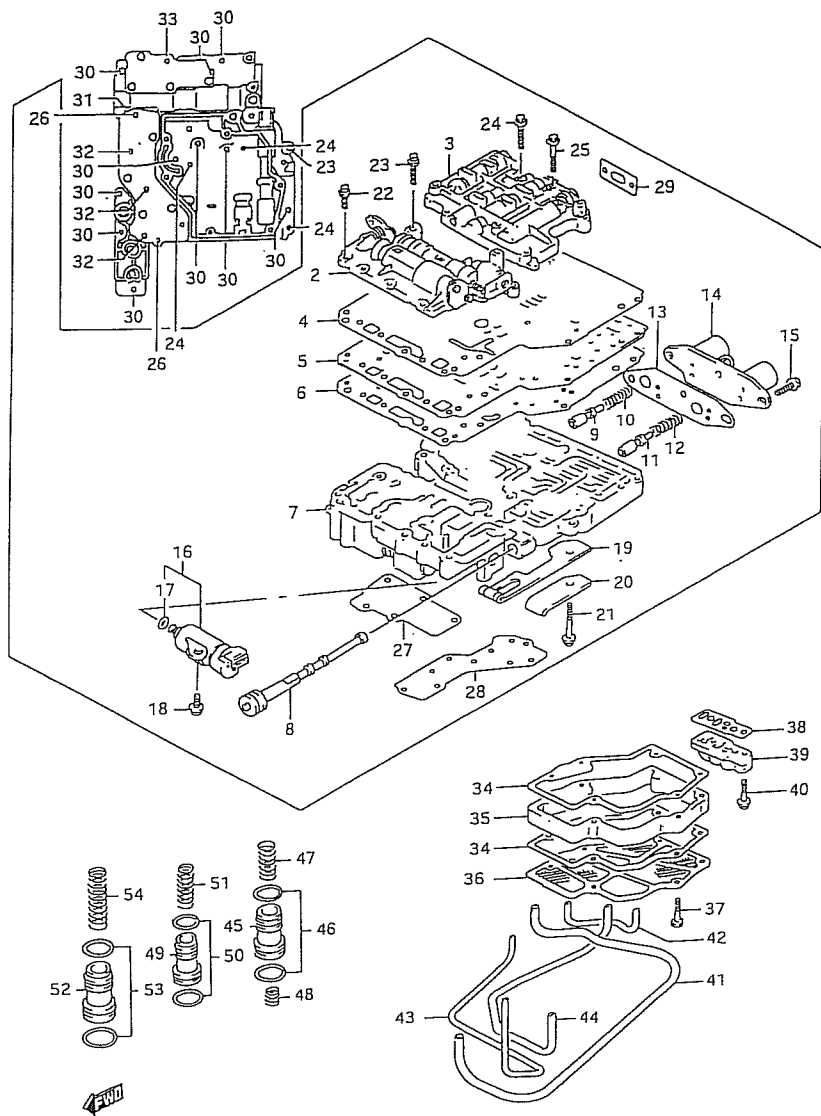
# FIG. 62



## FIG 62. AT PARKING LOCK (AT)

REF. NO.	PART NO.	DESCRIPTION	Q' TY		REMARKS
			C	V	
1	25911-57B00	LEVER, MANUAL SHIFT	1	1	
2	25951-57B00	SHAFT, MANUAL SHIFT	1	1	
3	29898-57B00	PIN, MANUAL SHIFT LEVER	1	1	
4	25921-57B00	COVER, SLEEVE	1	1	
5	25961-57B00	PAWL, PARKING LOCK	1	1	
6	29899-57B00	PIN, PAWL	1	1	
7	28948-57B00	RING, PAWL	1	1	
8	29624-57B00	SPRING, PAWL	1	1	
9	25931-57B00	ROD, PARKING LOCK	1	1	
10	25941-57B00	BRACKET, PAWL	1	1	
11	29944-57B00	WASHER, BRACKET	2	2	
12	29988-57B00	SCREW, BRACKET	2	2	
13	29793-57B00	SEAL, OIL LIP	2	2	

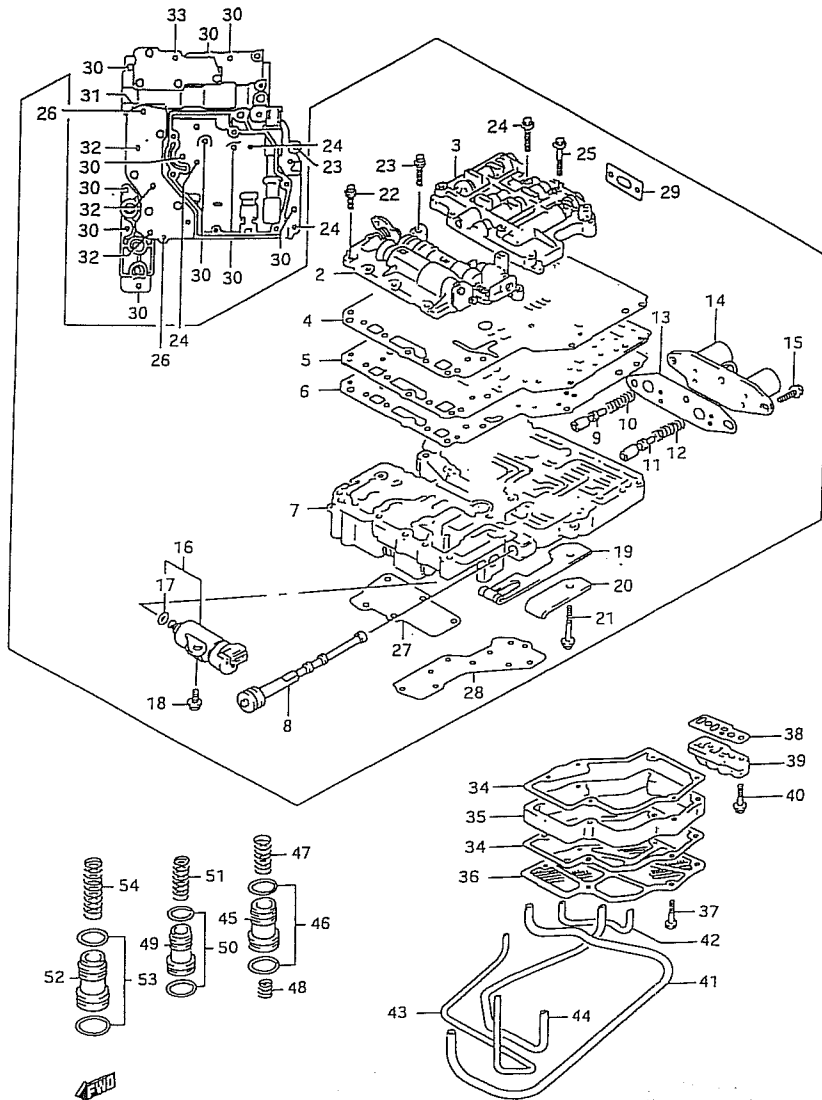
# FIG. 63



# FIG 63. AT VALVE (AT)

REF. NO.	PART NO.	DESCRIPTION	Q'	TY	V	REMARKS
1	26500-57B03	VALVE BODY ASSY	1		1	
2	26530-57B01	.BODY ASSY, UPPER VALVE FRONT	1		1	
3	26520-57B00	.BODY ASSY, UPPER VALVE REAR	1		1	
4	26584-57B01	.GASKET, VALVE BODY	1		1	
5	26522-57B02	.PLATE, SEPARATOR	1		1	
6	26585-57B01	.GASKET, VALVE BODY	1		1	
7	26510-57B01	.BODY ASSY, LOWER VALVE	1		1	
8	26552-57B00	.VALVE, MANUAL	1		1	
9	26538-57B00	.VALVE, MODULATOR	1		1	
10	29627-57B00	.SPRNG, VALVE	1		1	
11	26538-57B00	.VALVE, MODULATOR	1		1	
12	29628-57B00	.SPRING, VALVE	1		1	
13	26589-57B00	.GASKET, SOLENOID	1		1	
14	26591-57B00	.SOLENOID, NO.1	1		1	
15	29973-57B00	.BOLT, SOLENOID NO.1	1		1	
16	26592-57B00	.SOLENOID SET, NO.2	1		1	
17	29728-57B00	..O RING, SOLENOID NO.2	1		1	
18	29983-57B00	.BOLT, SOLENOID NO.2	1		1	
19	26541-57B00	.SPRING, DETENT	1		1	
20	26523-57B00	.PLATE, SPRING	1		1	
21	29974-57B00	.BOLT, SPRING	1		1	
22	29979-57B00	.BOLT, NO.1	4		4	
23	29978-57B00	.BOLT, NO.2	2		2	
24	29977-57B00	.BOLT, NO.3	4		4	
25	29976-57B00	.BOLT, NO.4	3		3	
26	29975-57B00	.BOLT, NO.5	2		2	
27	26586-57B00	.GASKET, LOCK UP VALVE	1		1	
28	26587-57B00	.GASKET, LOWER VALVE BODY	1		1	
29	26588-57B00	.GASKET, REAR UPPER VALVE BODY	1		1	
30	29986-57B00	BOLT, VALVE BODY NO.1	10		10	
31	29985-57B00	BOLT, VALVE BODY NO.2	1		1	
32	29984-57B00	BOLT, VALVE BODY NO.3	3		3	
33	29987-57B00	BOLT, VALVE BODY NO.4	1		1	
34	26583-57B00	GASKET, SCREEN	2		2	
35	26565-57B00	SPACER, SCREEN	1		1	
36	26582-57B00	SCREEN, OIL	1		1	
37	29977-57B00	BOLT, SCREEN	6		6	
38	26581-57B00	GASKET, COVER	2		2	
39	26521-57B00	COVER, BRAKE APPLY	1		1	
40	29986-57B00	BOLT	2		2	
41	26533-57B00	TUBE, FWD CLUTCH APPLY	1		1	

# FIG. 63



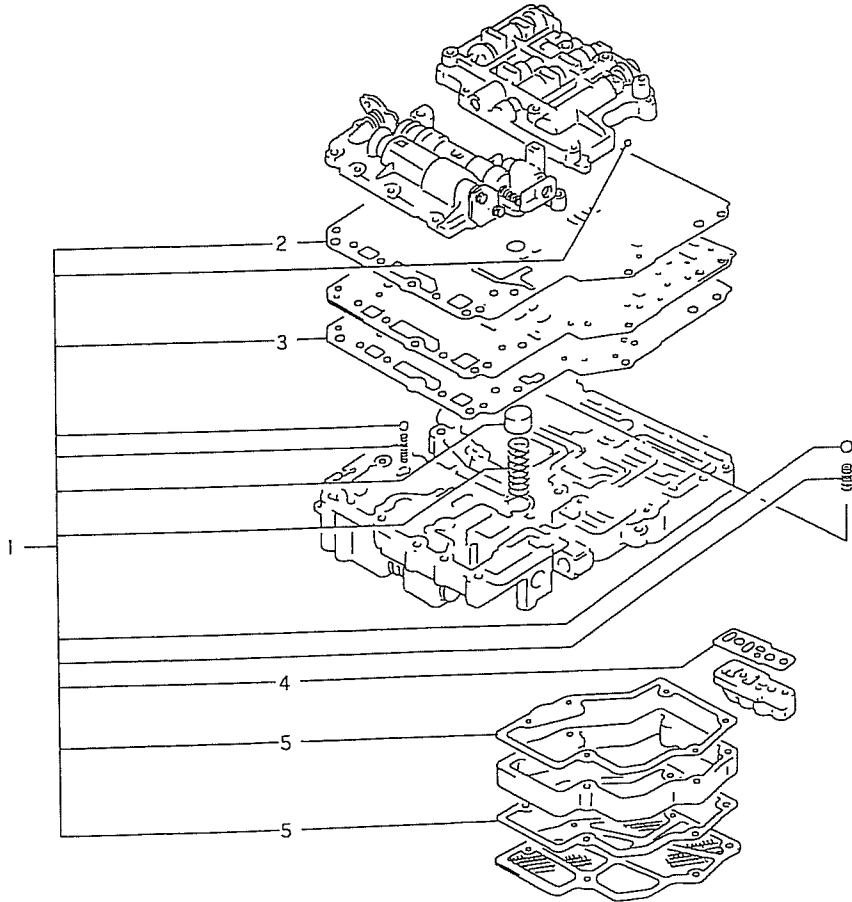
# FIG 63. AT VALVE (AT)

REF. NO.	PART NO.	DESCRIPTION	Q' TY		REMARKS
			C	V	
42	26532-57B00	TUBE, REV BRAKE APPLY	1	1	
43	26534-57B00	TUBE, O/D BRAKE APPLY	1	1	
44	26531-57B00	TUBE, LUBE APPLY	1	1	
45	29721-57B00	PISTON, 2ND BRAKE ACCUMULATOR	1	1	
46	29733-57BT0	O RING SET, 2ND BRAKE	1	1	
47	29644-57B00	SPRING, ACCUMULATOR	1	1	
48	29645-57B00	SPRING, ACCUMULATOR	1	1	
49	29722-57B00	PISTON, DIRECT CLUTCH ACCUM	1	1	
50	29732-57BT0	O RING SET, DIRECT CLUTCH	1	1	
51	29643-57B00	SPRING, ACCUMULATOR	1	1	
52	26410-57B00	PISTON, FWD CLUTCH ACCUMULATOR	1	1	
53	29731-57BT0	O RING SET, FWD CLUTCH	1	1	
54	29641-57B00	SPRING, ACCUMULATOR NO.1	1	1	

# FIG. 64

## FIG 64. AT VALVE OVERHAUL SET (AT)

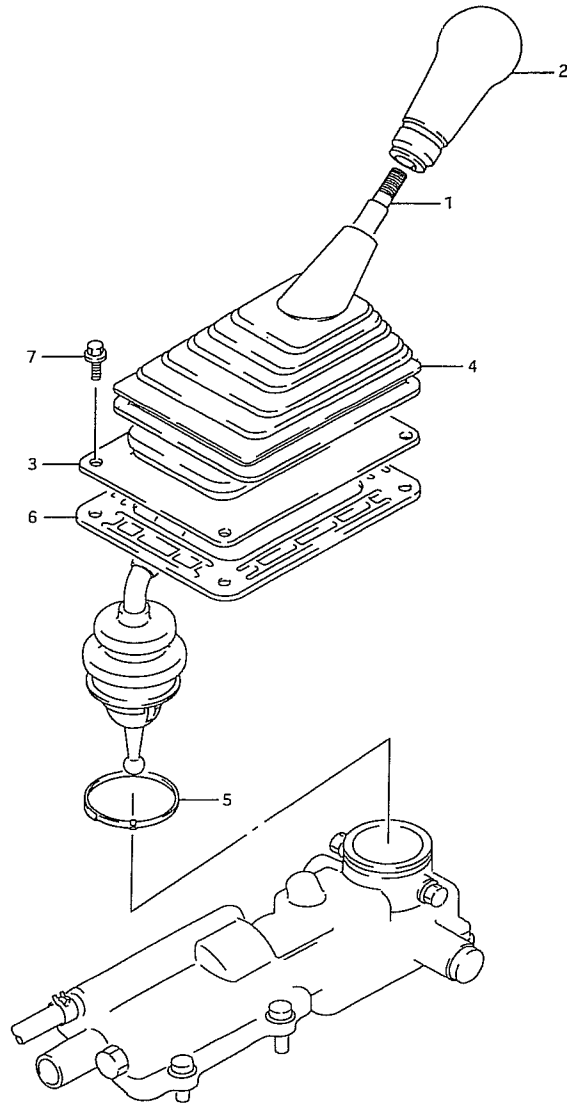
REF. NO.	PART NO.	DESCRIPTION	Q' TY		REMARKS
			C	V	
1	26580-57B0	OVERHAUL SET, VALVE BODY	1	1	
2	26584-57B01	.GASKET, VALVE BODY	1	1	
3	26585-57B01	.GASKET, VALVE BODY	1	1	
4	26581-57B00	.GASKET, COVER	1	1	
5	26583-57B00	.GASKET, SCREEN	2	2	



# FIG. 65

## FIG 65. GEAR SHIFT CONTROL (MT)

REF. NO.	PART NO.	DESCRIPTION	QTY		REMARKS
			C	V	
1	28101-60A02	LEVER, GEAR SHIFT CONTROL	1	1	
2	28113-85C00	KNOB, CONTROL LEVER	1	1	
3	28136-85F40	BOOT, LEVER NO.2	1	1	
4	28138-60A01	BOOT, LEVER NO.3	1	1	
5	21935-85C00	CLAMP	1	1	
6	28137-60A01	COVER, BOOT	1	1	
7	01550-06123	BOLT	4	4	

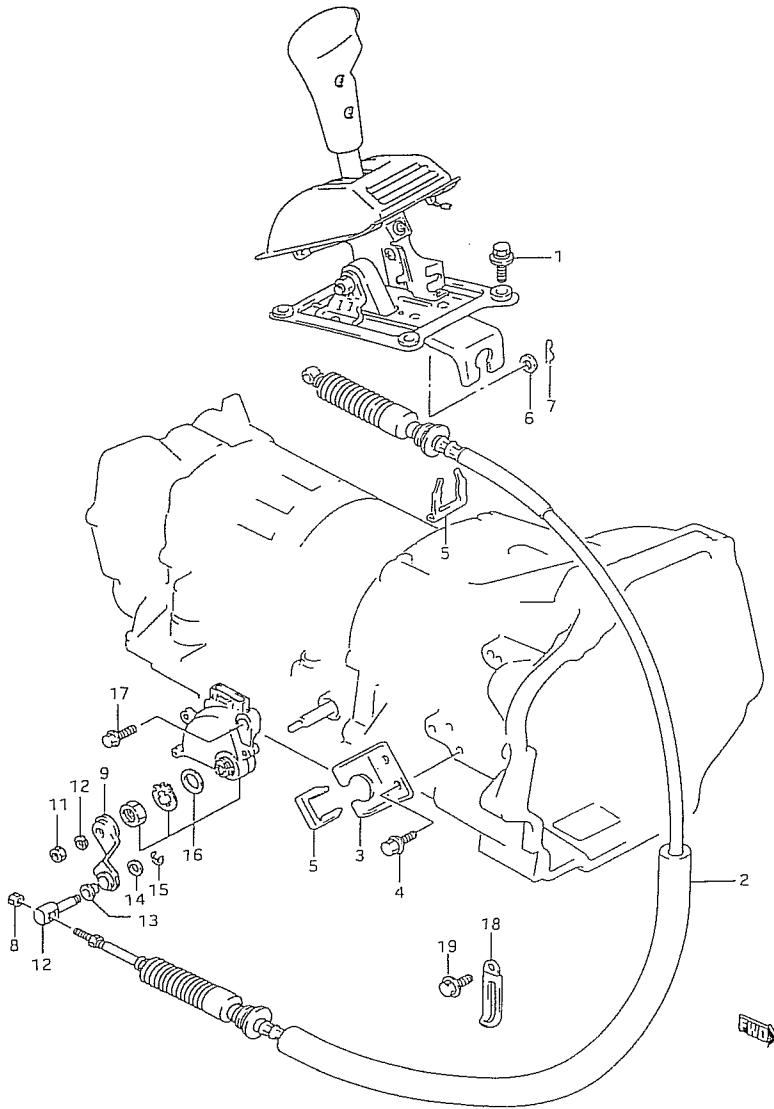




# FIG. 66

## FIG 66. GEAR SHIFT CONTROL (AT)

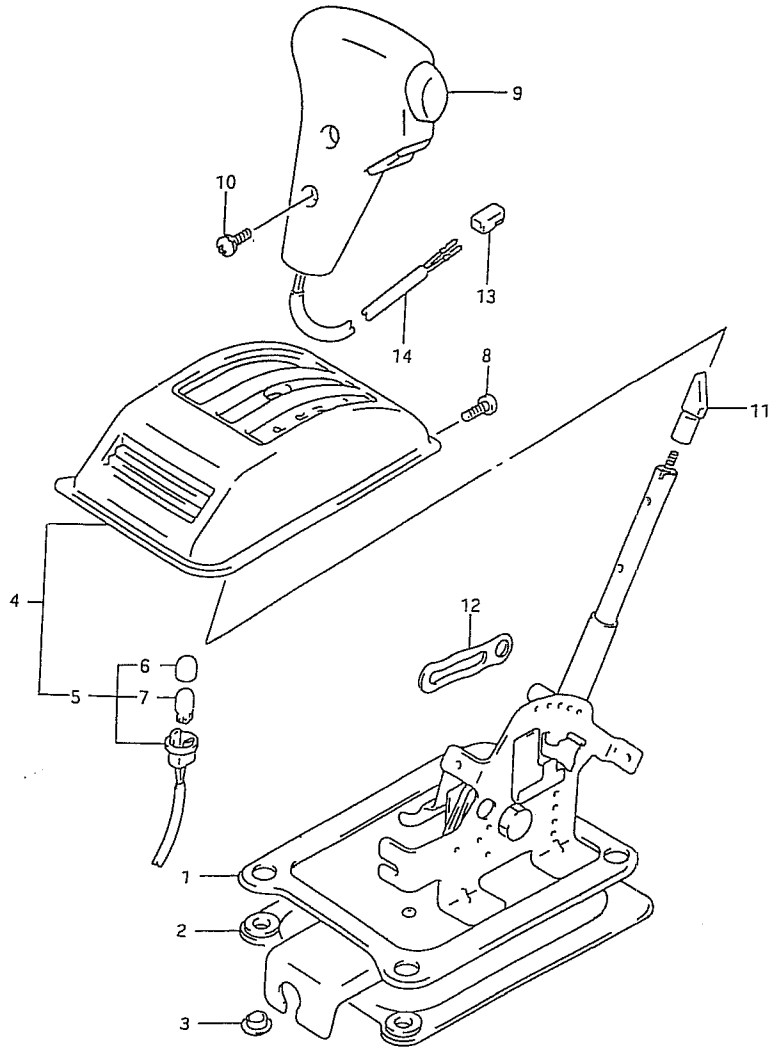
REF. NO.	PART NO.	DESCRIPTION	C	Q' TY	V	REMARKS
1	09118-08118	BOLT (8X20)	4	4		
2	28210-57B00	CABLE ASSY, SELECT	1	1		
3	28221-61A00	BRACKET, SELECT CABLE	1	1		
4	01550-08203	BOLT	2	2		
5	09383-19001	E RING	2	2		
6	09160-08094	WASHER	1	1		
7	09385-08004	CLIP	1	1		
8	08316-10063	NUT	1	1		
9	28231-57B00	LEVER, MANUAL SELECT	1	1		
10	21945-85C00	LOCK WASHER	1	1		
11	08310-10083	NUT	1	1		
12	28291-78233	JOINT, SELECTOR CABLE	1	1		
13	09305-08012	BUSH	1	1		
14	08322-01083	WASHER	1	1		
15	08332-11063	E RING	1	1		
16	24731-57B10	SWITCH ASSY, SHIFT	1	1		
17	29993-57B00	BOLT, SHIFT SWITCH	1	1		
18	09404-08420	CLAMP, CABLE	1	1		
19	01517-08123	BOLT	1	1		



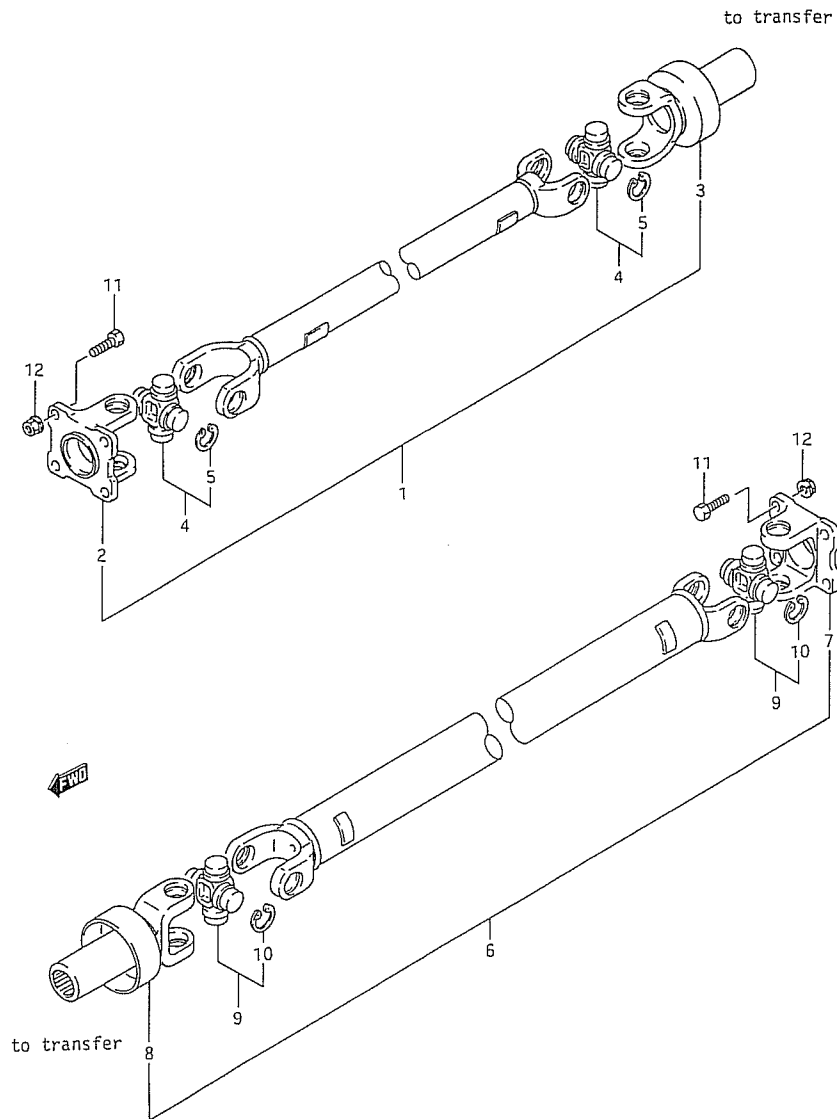
# FIG. 67

## FIG 67. SELECT LEVER (AT)

REF. NO.	PART NO.	DESCRIPTION	Q' TY		REMARKS
			C	V	
1-1	28110-57B30	LEVER ASSY, SELECT	1	1	LHD
1-2	28110-57B10	LEVER ASSY, SELECT	1	1	RHD
2	28176-61A00	GASKET, HOUSING	1	1	
3	09169-08043	WASHER	4	4	
4-1	28150-57B30	INDICATOR ASSY, SELECT	1	1	LHD
4-2	28150-57B10	INDICATOR ASSY, SELECT	1	1	RHD
5	28180-61A00	.LAMP ASSY, ILLUMINATION	1	1	
6	28182-61A00	..FILTER, BULB	1	1	
7	09471-12077	..BULB (12V1.7W)	1	1	
8	02142-05103	SCREW	3	3	
9-1	28160-57B31-5PK	KNOB ASSY (BLACK)	1	1	LHD
9-2	28160-57B01-5PK	KNOB ASSY (BLACK)	1	1	RHD
10	09125-05117	SCREW	1	1	
11	28164-57B00	GUIDE, DETENT RELEASE	1	1	
12	09404-10205	CLAMP	1	1	
13	28117-64B60	COUPLER, O/D SWITCH WIRE	1	1	
14	28118-57B00	TUBE, WIRE HARNESS	1	1	



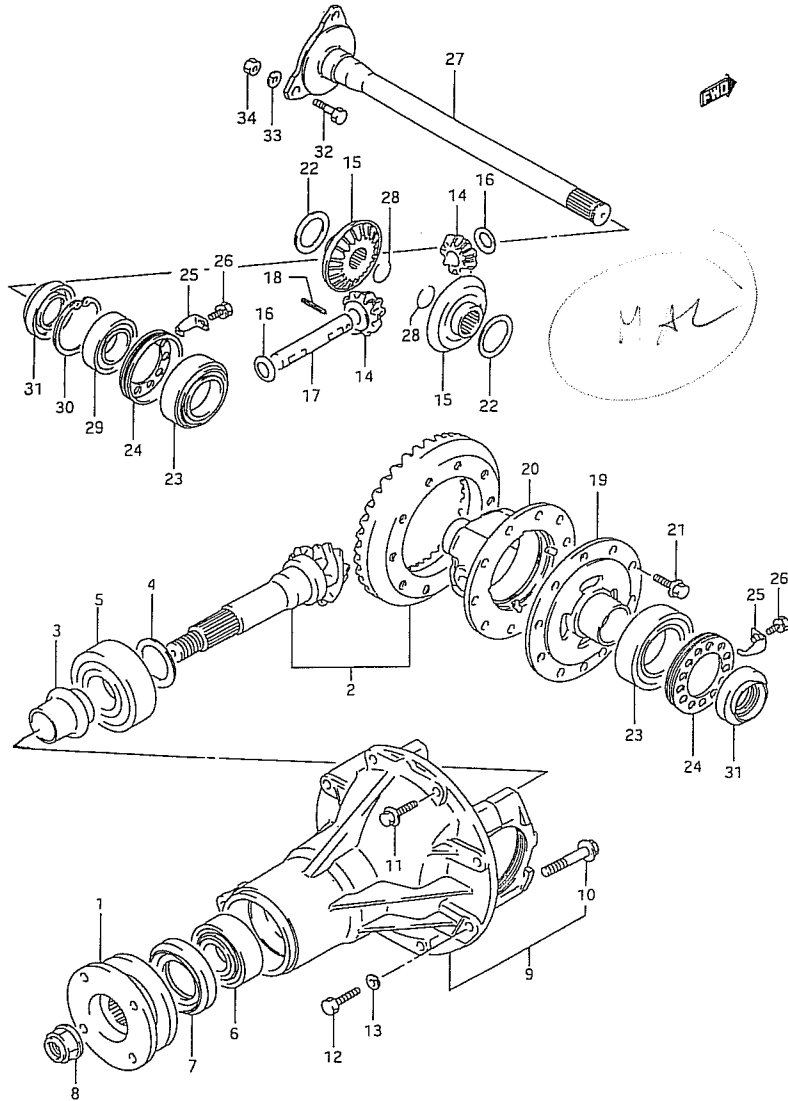
# FIG. 68



## FIG 68. PROPELLER SHAFT

REF. NO.	PART NO.	DESCRIPTION	Q' TY		REMARKS
			C	V	
1-1	27101-85C00	SHAFT ASSY, PROPELLER FRONT	1	1	MT
1-2	27101-57B01	SHAFT ASSY, PROPELLER FRONT	1	1	AT
2-1	27131-85C00	.YOKE, JOINT FLANGE	1	1	MT
2-2	27131-56B00	.YOKE, JOINT FLANGE	1	1	AT
3-1	27140-85C00	.YOKE, SLIDING	1	1	MT
3-2	27140-60A00	.YOKE, SLIDING	1	1	AT
4-1	27200-83812	.JOINT ASSY, UNIVERSAL	2	2	AT
4-2	27200-85C00 ✓	.JOINT ASSY, UNIVERSAL	2	2	MT ✓
5-1	27225-85C00 ✓	..CIRCLIP	8	8	MT ✓
5-2	51118-36213	..CIRCLIP	8	8	AT
6-1	27102-60A10	SHAFT ASSY, PROPELLER REAR	1	1	3DR:MT VSEETV01V01101763
6-2	27102-56B10	SHAFT ASSY, PROPELLER REAR	-	1	5DR:MT VSEETW01V01201461
6-3	27102-85C00 ✓	SHAFT ASSY, PROPELLER REAR ✓	1	1	3DR:MT ✓ -VSEETV01V01101762
6-4	27102-56B01	SHAFT ASSY, PROPELLER REAR	-	1	5DR:MT -VSEETW01V0120146
6-5	27102-57B30	SHAFT ASSY, PROPELLER REAR	1	1	3DR:AT
6-6	27102-57B20	SHAFT ASSY, PROPELLER REAR	-	1	5DR:AT
7-1	27131-56B00	.YOKE, JOINT FLANGE	1	1	
7-2	27131-85C00 ✓	.YOKE, JOINT FLANGE ✓	1	1	3DR:MT -VSEETV01V01101762
8-1	27140-60A30	.YOKE, SLIDING	1	1	
8-2	27140-60A00	.YOKE, SLIDING	-	1	5DR:MT -VSEETW01V0120146
8-3	27140-85C00	.YOKE, SLIDING	1	1	3DR:MT -VSEETV01V01101762
9-1	27200-83812	.JOINT ASSY, UNIVERSAL	2	2	
9-2	27200-85C00	.JOINT ASSY, UNIVERSAL	2	2	3DR:MT -VSEETV01V01101762
10-1	51118-36213	..CIRCLIP	8	8	
10-2	27225-85C00	..CIRCLIP	8	8	3DR:MT -VSEETV01V01101762
11	01500-10303	BOLT	8	8	
12	21943-85C00	NUT	8	8	

# FIG. 69

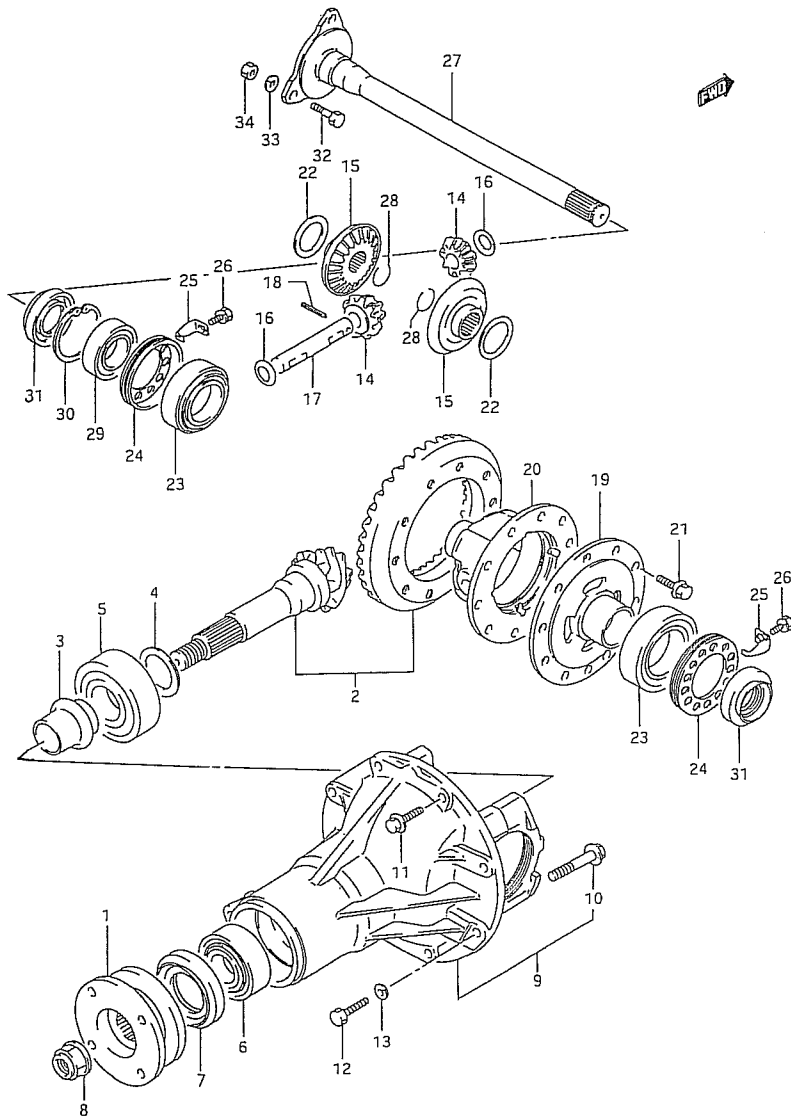


# FIG 69. FRONT DIFFERENTIAL GEAR

REF. NO.	PART NO.	DESCRIPTION	Q' TY		REMARKS
			C	V	
0	27300-85C11	DIFFERENTIAL ASSY	1	1	RATIO= 8:41
0	27300-85C20	DIPERENTIAL ASSY	1	1	RATIO= 8:39
1	27110-56B01	FLANGE, UNIVERSAL JOINT	1	1	
2-1	20022-00000	BEVEL PINION & GEAR SET, FRONT	1	1	RATIO= 8:41
2-2	27038-85F10	BEVEL PINION & GEAR SET, FRONT	1	1	RATIO= 8:39
3	27315-60A01	SPACER, PINION	1	1	
4-1	09181-35101	SHIM, PINION (T:0.30)	AR	0-	
4-2	09181-35117	SHIM, PINION (T:1.12)	AR	0-	
4-3	09181-35118	SHIM, PINION (T:1.15)	AR	0-	
4-4	09181-35119	SHIM, PINION (T:1.18)	AR	0-	
4-5	09181-35121	SHIM, PINION (T:1.21)	AR	0-	
4-6	09181-35122	SHIM, PINION (T:1.24)	AR	0-	
4-7	09181-35124	SHIM, PINION (T:1.27)	AR	0-	
4-8	09181-35125	SHIM, PINION (T:1.30)	AR	0-	
5	21925-85C00	BEARING, PINION FRONT	1	1	
6	21925-85C30	BEARING, PINION REAR	1	1	
7	09283-40027	SEAL, PINION OIL	1	1	
8	09159-20003	NUT	1	1	
9	27450-85C00	CARRIER ASSY, DIFF FRONT	1	1	
10	21941-85C30	.BOLT	4	4	
11	01550-08303	BOLT	6	6	
12	21941-85C60	BOLT	2	2	
13	08321A31123	LOCK WASHER	2	2	
14	27331-83020	PINION, DIFF	2	2	
15	27341-83000	GEAR, DIFF	2	2	
16	09164-15006	WASHER	2	2	
17	27351-64B20	SHAFT, DIFF PINION	1	1	
18	09205-05007	SPRING PIN	1	1	
19	27411-60A50	CASE, DIFF RH	1	1	
20	27421-60A02	CASE, DIFF LH	1	1	
21	21941-85C10	BOLT	10	10	
22-1	09160-35013	WASHER (T:0.8)	AR	0-	
22-2	21945-85C10	WASHER (T:0.3)	AR	0-	
23	21925-85C60	BEARING, DIFF SIDE	2	2	
24	27461-83000	ADJUSTER, BEARING	2	2	
25	27462-63202	PLATE, BEARING LOCK	2	2	
26	01517-08123	BOLT	2	2	
27	27471-60A10	SHAFT, FRONT DRIVE	1	1	
28-1	09381-24001	RING, SNAP	2	2	MY97,
28-2	09381-25001	RING, SNAP	2	2	MY98,
29	08133-62067	BEARING	1	1	

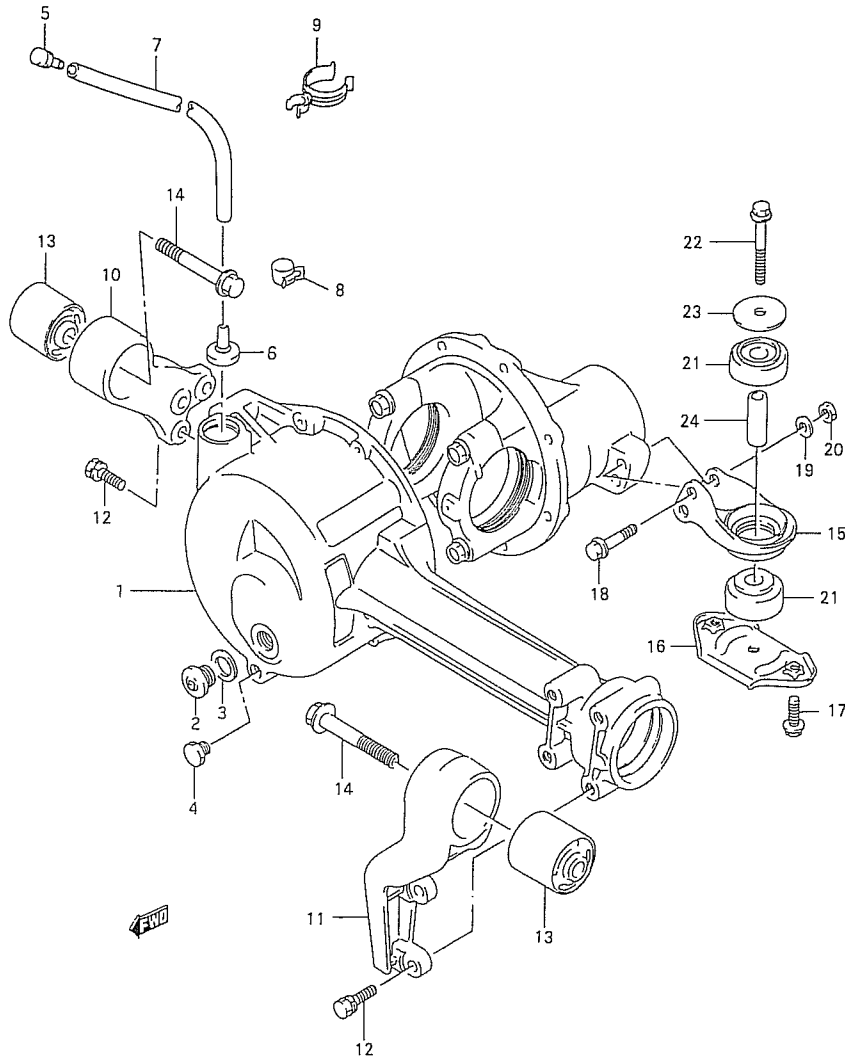
# FIG. 69

## FIG 69. FRONT DIFFERENTIAL GEAR



REF. NO.	PART NO.	DESCRIPTION	Q' TY		REMARKS
			C	V	
30	08331-41626	CIRCLIP	1	1	
31	09283-35008	SEAL, OIL	2	2	
32	21941-85C00	BOLT	3	3	
33	08321A31103	LOCK WASHER	3	3	
34	08310-00103	NUT	3	3	

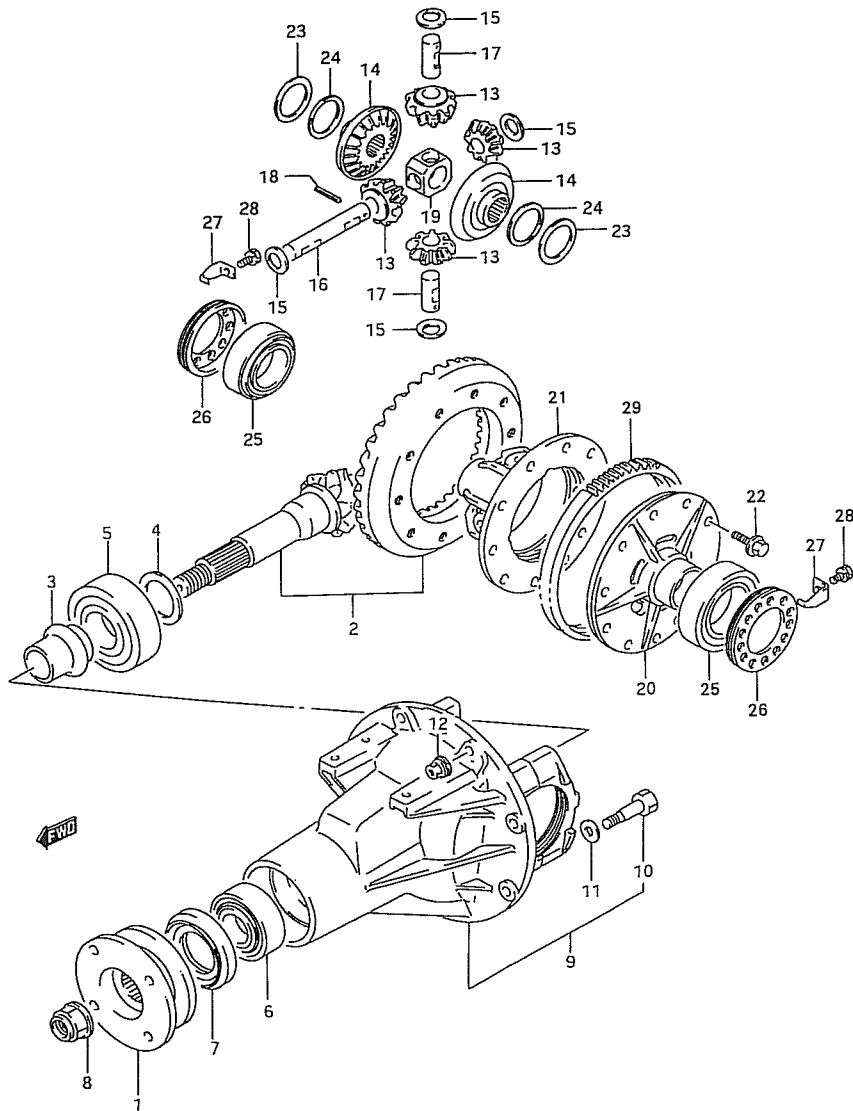
# FIG. 70



# FIG 70. FRONT DIFFERENTIAL HOUSING

REF. NO.	PART NO.	DESCRIPTION	Q' TY		REMARKS
			C	V	
1	27611-60A10	HOUSING, DIFFERENTIAL	1	1	
2	21947-85C40	PLUG, OIL LEVEL	1	1	
3	09168-20003	GASKET, OIL LEVEL	1	1	
4	21947-85C50	PLUG, OIL DRAIN	1	1	
5	46543-85C00	BREATHER, DIFF	1	1	
6	27620-85400	UNION, BREATHER	1	1	
7	21931-85C30	HOSE, BREATHER	1	1	
8	18119-85C10	CLIP, HOSE	1	1	MY98
9	09408-00161	CLAMP, HOSE	2	2	
10	27661-60A01	BRACKET, DIFF MOUNT FRONT RH	1	1	
11	27665-60A01	BRACKET, DIFF MOUNT FRONT LH	1	1	
12	01500-10303	BOLT	6	6	
13	27550-60A00	MOUNTING, DIFF FRONT	2	2	
14	09103-12033	BOLT (12X85)	2	2	
15	27670-60A00	BRACKET, DIFF MOUNT REAR NO.1	1	1	
16	27675-60A01	BRACKET, DIFF MOUNT REAR NO.2	1	1	
17	01500-10203	BOLT	2	2	
18	01517-10553	BOLT	2	2	
19	08321A31103	LOCK WASHER	2	2	
20	08310-00103	NUT	2	2	
21	27561-85C00	MOUNTING, DIFF REAR	2	2	
22	01517-10653	BOLT	1	1	
23	09160-10104	WASHER (10.5X50X3.2)	1	1	
24	09180-10117	SPACER (10.9X17.3X46.8)	1	1	

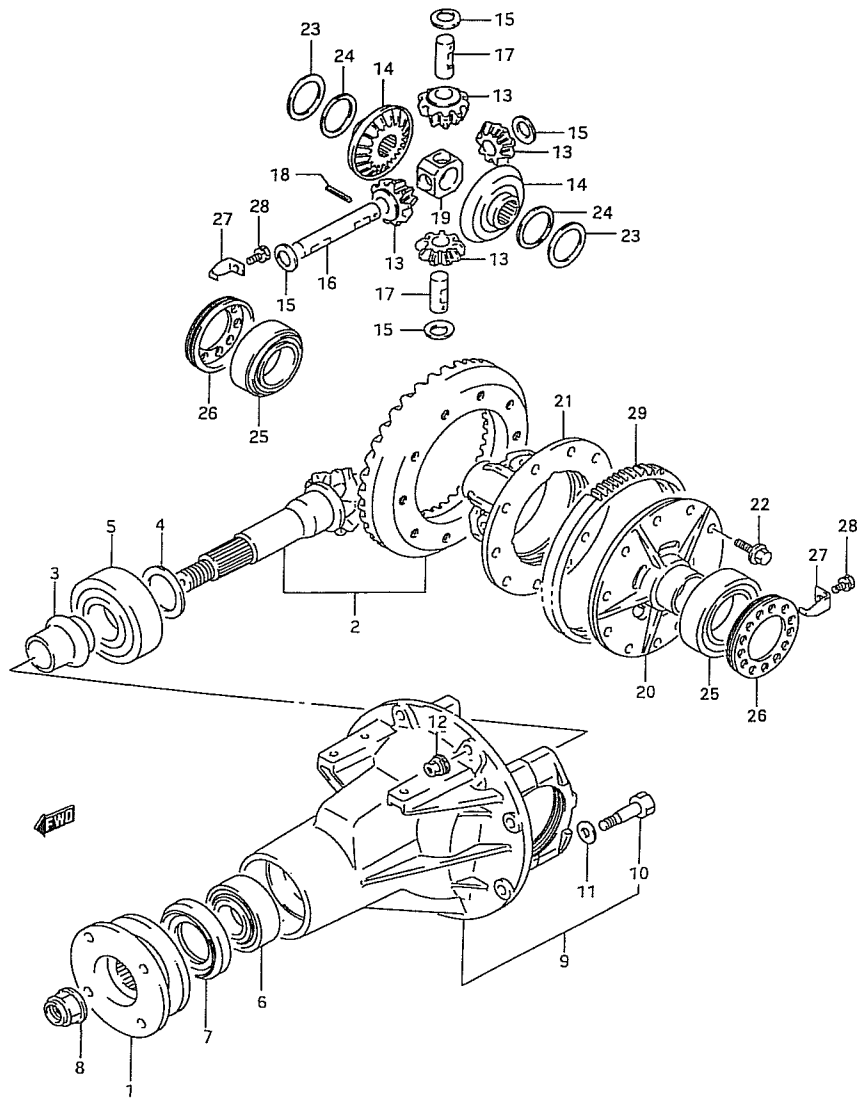
# FIG. 71



## FIG 71. REAR DIFFERENTIAL GEAR (N/LSD)

REF. NO.	PART NO.	DESCRIPTION	C	Q' TY	V	REMARKS
0	27301-85C11	DIFERENTIAL ASSY R=8:41	1	1		-VSEETV01V01101762/-VSEE
0	27301-85C21	DIFERENTIAL ASSY R=8:41	1	1		VSEETV01V01101763-/VSEET
0	27301-85C30	DIFERENTIAL ASSY R=8:39	1	1		
1	27110-56B01	FLANGE, UNIVERSAL JOINT	1	1		
2-1	20026-00000	BEVEL PINION & GEAR SET, REAR	1	1		R= 8:41
2-2	27038-85F30	BEVEL PINION & GEAR SET, REAR	1	1		R= 8:39
3	27315-60A01	SPACER, PINION	1	1		
4-1	09181-35101	SHIM, PINION (T:0.30)	AR	0-		
4-2	09181-35117	SHIM, PINION (T:1.12)	AR	0-		
4-3	09181-35118	SHIM, PINION (T:1.15)	AR	0-		
4-4	09181-35119	SHIM, PINION (T:1.18)	AR	0-		
4-5	09181-35121	SHIM, PINION (T:1.21)	AR	0-		
4-6	09181-35122	SHIM, PINION (T:1.24)	AR	0-		
4-7	09181-35124	SHIM, PINION (T:1.27)	AR	0-		
4-8	09181-35125	SHIM, PINION (T:1.30)	AR	0-		
5	21925-85C30	BEARING, PINION REAR	1	1		
6	21925-85C00	BEARING, PINION FRONT	1	1		
7	09283-40027	SEAL, PINION OIL	1	1		
8	09159-20003	NUT	1	1		
9-1	27450-85C20	CARRIER ASSY, DIFF REAR	1	1		DIFERENTIAL 27301-85C21
9-2	27450-85C40	CARRIER ASSY, DIFF REAR	1	-		DIFERENTIAL 27301-85C11
9-3	27450-85C50	CARRIER ASSY, DIFF REAR	1	1		DIFERENTIAL 27301-85C30
10	21941-85C30	.BOLT	4	4		
11	08321A31123	.LOCK WASHER	4	4		
12	21943-85C00	NUT	8	8		
13	27331-83020	PINION, DIFF	4	4		
14	27341-83000	GEAR, DIFF	2	2		
15	09164-15006	WASHER	4	4		
16	27351-64B20	SHAFT, DIFF PINION NO.1	1	1		
17	27355-60A01	SHAFT, DIFF PINION NO.2	2	2		
18	09205-05007	SPRING PIN	3	3		
19	27356-86081	JOINT, PINION	1	1		
20-1	27411-85C00	CASE, DIFF LH	1	1		DIFERENTIAL 27301-85C30,2
20-2	27411-85C10	CASE, DIFF LH	1	1		DIFERENTIAL 27301-85C21

# FIG. 71

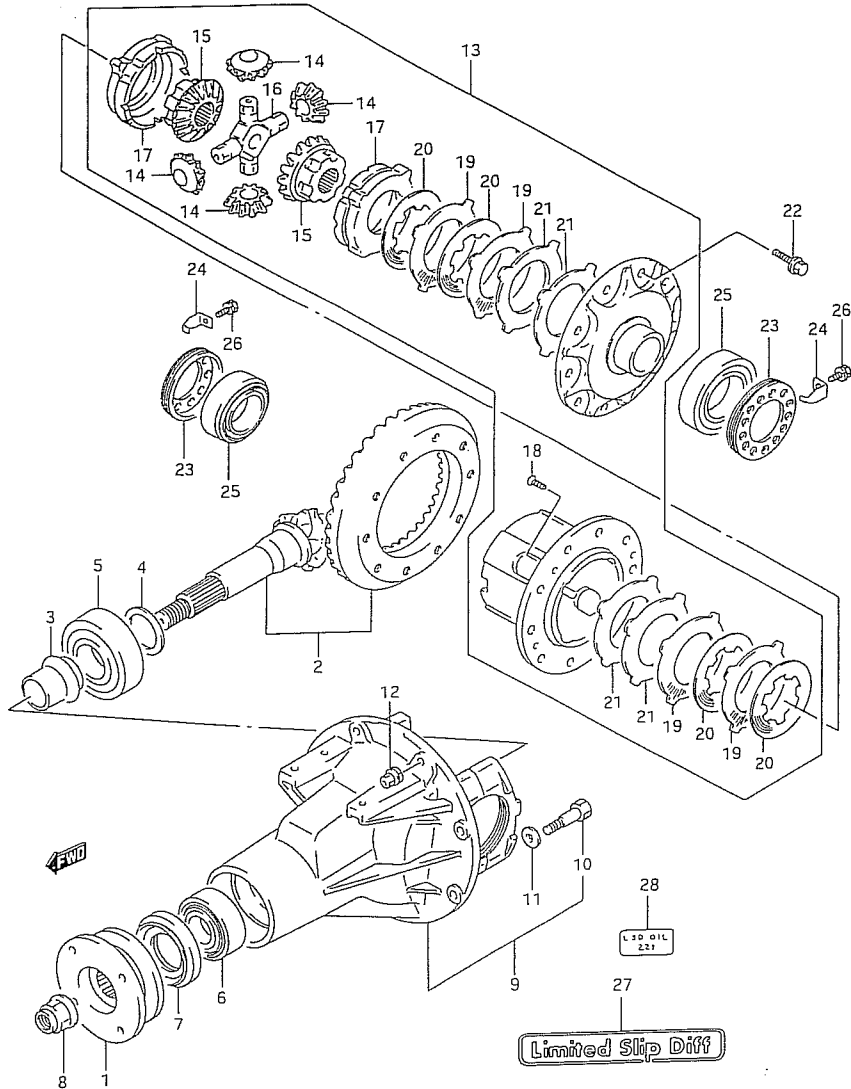


## FIG 71. REAR DIFFERENTIAL GEAR (N/LSD)

REF. NO.	PART NO.	DESCRIPTION	Q' TY		REMARKS
			C	V	
21	27421-60A13	CASE, DIFF RH	1	1	
22	21941-85C10	BOLT	12	12	
23-1	09160-35015	WASHER, DIFF SIDE (T:0.6)	AR	0-	
23-2	09160-35014	WASHER, DIFF SIDE (T:0.7)	AR	0-	
23-3	09160-35013	WASHER, DIFF SIDE (T:0.8)	AR	0-	
24	21945-85C10	WASHER, DIFF GEAR SPRING	2	2	
25	21925-85C60	BEARING, DIFF SIDE	2	2	
26	27461-83000	ADJUSTER, BEARING	2	2	
27	27462-63202	PLATE, BEARING LOCK	2	2	
28	01517-08123	BOLT	2	2	
29	27425-60A02	RING, EXCITER	1	1	W/ABS



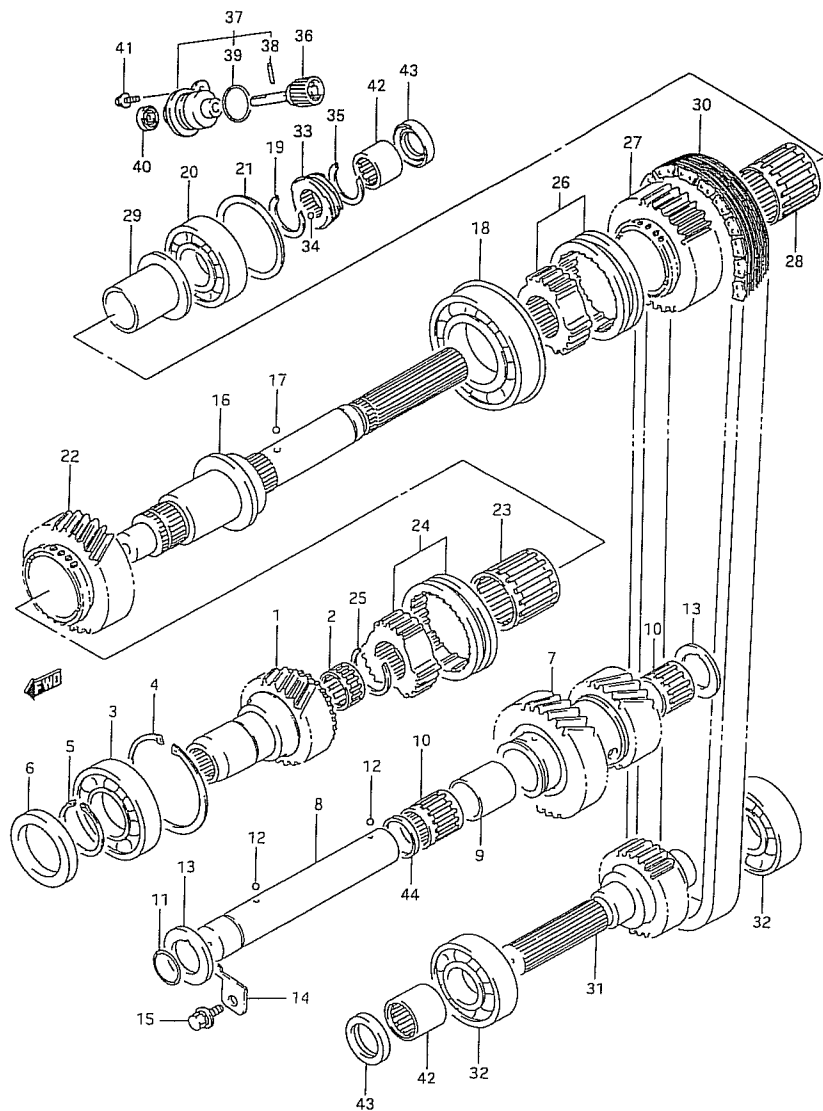
# FIG. 72



## FIG 72. REAR DIFFERENTIAL GEAR (W/LSD) -MY97

REF. NO.	PART NO.	DESCRIPTION	C	Q' TY	V	REMARKS
0	27301-60A52	DIFERENTIAL ASSY	1	1		
1	27110-56B01	FLANGE, UNIVERSAL JOINT	1	1		
2	20023-00000	BEVEL PINION & GEAR SET, REAR	1	1		R - 8:41
3	27315-60A01	SPACER, PINION	1	1		
4-1	09181-35101	SHIM, PINION (T:0.30)	1	0-		
4-2	09181-35012	SHIM, PINION (T:1.00)	1	0-		
4-3	09181-35014	SHIM, PINION (T:1.06)	1	0-		
4-4	09181-35117	SHIM, PINION (T:1.12)	1	0-		
4-5	09181-35118	SHIM, PINION (T:1.15)	1	0-		
4-6	09181-35119	SHIM, PINION (T:1.18)	1	0-		
4-7	09181-35121	SHIM, PINION (T:1.21)	1	0-		
4-8	09181-35122	SHIM, PINION (T:1.24)	1	0-		
4-9	09181-35124	SHIM, PINION (T:1.27)	1	0-		
4-10	09181-35125	SHIM, PINION (T:1.30)	1	0-		
5	21925-85C30	BEARING, PINION REAR	1	1		
6	21925-85C00	BEARING, PINION FRONT	1	1		
7	09283-40027	SEAL, PINION OIL	1	1		
8	09159-20003	NUT	1	1		
9	27450-85C10	CARRIER ASSY, DIFF REAR	1	1		
10	21941-85C20	.BOLT	4	4		
11	08321A31123	.LOCK WASHER	4	4		
12	21943-85C00	NUT	8	8		
13	27400-60B30	CASE ASSY, LSD (12 HOLE)	1	1		
14	27331-60A40	.PINION	4	4		
15	27341-60A40	.GEAR	2	2		
16	27351-60A40	.SHAFT, DIFF PINION	2	2		
17	27357-60A40	.RING	1	1		
18	02122-06123	.SCREW	4	4		
19-1	27433-60A40-170	.PLATE, FRICTION (T:1.7)	4	0-		
19-2	27433-60A40-180	.PLATE, FRICTION (T:1.8)	4	0-		
20-1	27432-60A40-170	.DISK, FRICTION (T:1.7)	4	0-		
20-2	27432-60A40-180	.DISK, FRICTION (T:1.8)	4	0-		
21	27434-60A40	.PLATE, SPRING	4	0-		
22	21941-85C10	BOLT	12	12		
23	27461-83000	ADJUSTER, BEARING	2	2		
24	27462-63202	PLATE, BEARING LOCK	2	2		
25	21925-85C60	BEARING, DIFF SIDE	2	2		
26	01517-08123	BOLT	2	2		
27	27911-85C00	EMBLEM, LSD	1	1		
28	27912-60A00	EMBLEM, OIL CAPACITY	1	1		

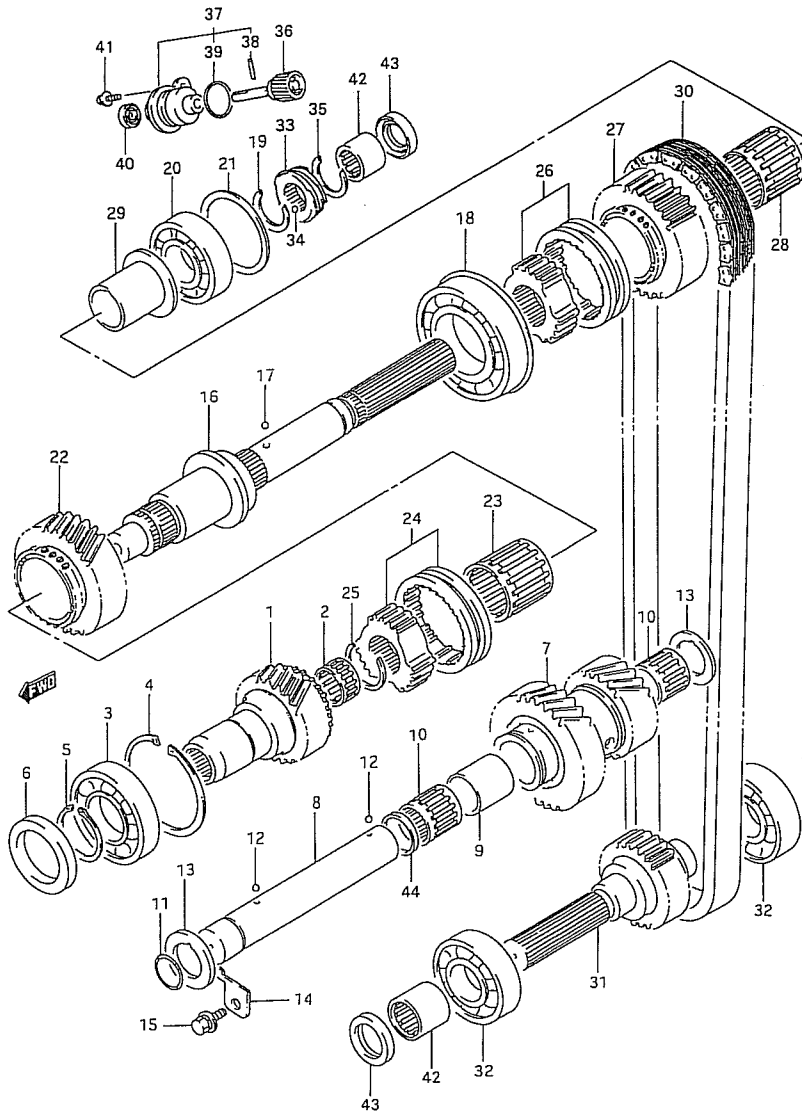
# FIG. 73



# FIG 73. TRANSFER GEAR

REF. NO.	PART NO.	DESCRIPTION	Q' TY		REMARKS
			C	V	
1	29110-85C00	GEAR, INPUT	1	1	
2	21915-85C60	BEARING	1	1	
3	21911-85C30	BEARING	1	1	
4	21933-85C70	CIRCLIP	1	1	
5	08331-31356	CIRCLIP	1	1	
6	09282-35002	SEAL, OIL	1	1	
7	29121-85C00	GEAR, COUNTER	1	1	
8	29131-60A02	SHAFT, COUNTER	1	1	
9	09180-26004	SPACER (26X31X33.7)	1	1	
10	21915-85C10	BEARING	2	2	
11	09280-21008	O RING	1	1	
12	06111-06003	BALL	2	2	
13	09166-25012	WASHER	2	2	
14	29136-60A01	PLATE, SHAFT	1	1	
15	01500-08163	BOLT	1	1	
16	29141-60A10	SHAFT, OUTPUT REAR	1	1	
17	06111-06003	BALL	1	1	
18	08173-62100	BEARING	1	1	
19	21933-85C40	CIRCLIP	1	1	
20	08113-63060	BEARING	1	1	
21-1	09181-62003	SHIM, OUTPUT SHAFT (T:0.1)	AR	0-	
21-2	09181-62008	SHIM, OUTPUT SHAFT (T:0.2)	AR	0-	
21-3	09181-62004	SHIM, OUTPUT SHAFT (T:0.3)	AR	0-	
21-4	09181-62009	SHIM, OUTPUT SHAFT (T:0.4)	AR	0-	
21-5	09181-62005	SHIM, OUTPUT SHAFT (T:0.5)	AR	0-	
22	29211-85C00	GEAR, OUTPUT LOW	1	1	
23	21915-85C50	BEARING	1	1	
24	29230-85C00	HUB, REDUCTION CLUTCH	1	1	
25	21933-85C50	CIRCLIP	1	1	
26	29230-60A10	HUB, FRONT DRIVE CLUTCH	1	1	
27	29221-60A00	SPROCKET, DRIVE	1	1	
28	21915-85C50	BEARING	1	1	
29	29222-60A00	BUSH, SPROCKET	1	1	
30	29225-60A01	CHAIN, DRIVE	1	1	
31	29151-60A00	SHAFT, OUTPUT FRONT	1	1	
32	08113-63060	BEARING	2	2	
33-1	29411-60A20	GEAR, SPEEDOMETER DRIVE	1	1	2 VALVE
33-2	29411-85F10	GEAR, SPEEDOMETER DRIVE	1	1	4 VALVE
34	06111-06003	BALL	1	1	
35	21933-85C20	CIRCLIP	1	1	
36-1	29421-60A02	GEAR, SPEEDOMETER DRIVEN	1	1	2 VALVE (19 TEETH)

# FIG. 73

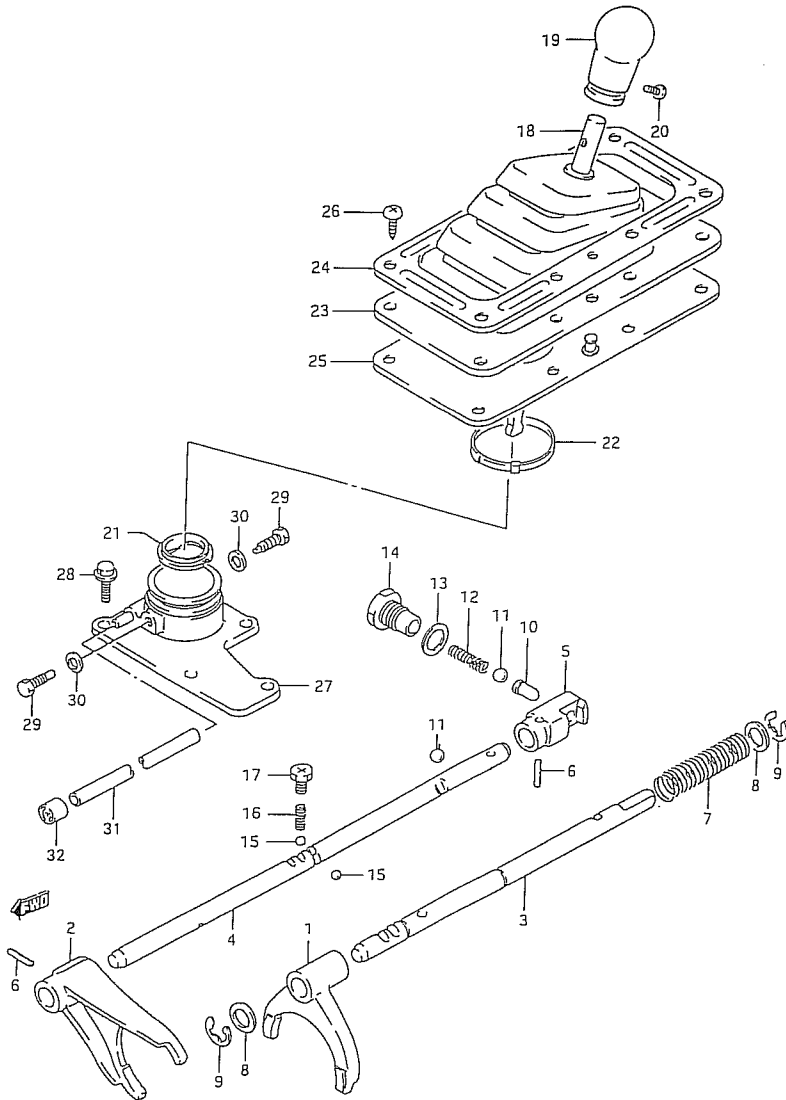


## FIG 73. TRANSFER GEAR

REF. NO.	PART NO.	DESCRIPTION	Q' TY		REMARKS
			C	V	
36-2	29421-85F01	GEAR, SPEEDOMETER DRIVEN	1	1	4 VALVE (18 TEETH)
37	29430-60810	CASE, SPEEDOMETER DRIVEN GEAR	1	1	
38-1	09205-03022	.SPRING PIN	1	1	MY97,
38-2	09205-03028	.SPRING PIN	1	1	MY98,
39	09280-24009	.O RING	1	1	
40	09282-07001	SEAL, OIL	1	1	
41	01550-06163	BOLT	1	1	
42	09263-40006	BEARING, CENTER & REAR CASE	2	2	
43	09283-40021	SEAL, CENTER & REAR CASE OIL	2	2	
44	29133-85C00	RING, FRICTION	1	1	

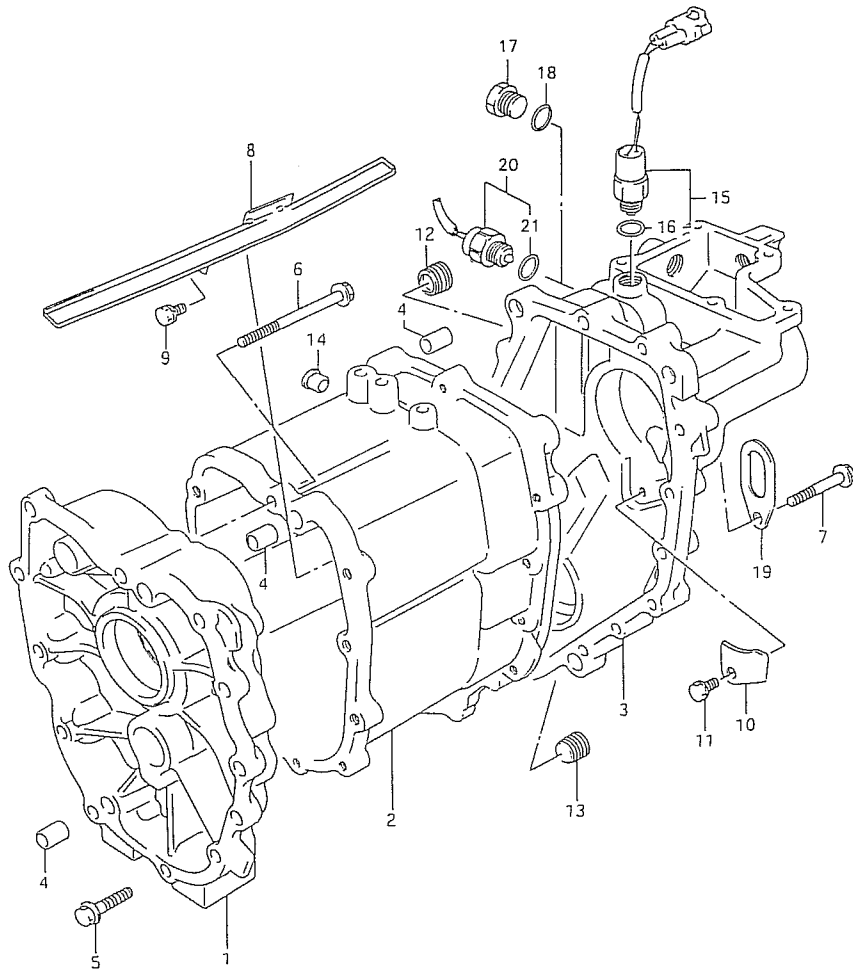
# FIG. 74

# FIG 74. TRANSFER GEAR SHIFTING



REF. NO.	PART NO.	DESCRIPTION	QTY		REMARKS
			C	V	
1	29311-60A02	FORK, FRONT DRIVE SHIFT	1	1	
2	29321-60A11	FORK, REDUCTION SHIFT	1	1	
3-1	29331-60A00	SHAFT, FRONT DRIVE SHIFT	1	1	SEE SERVICE BULLETIN I-SE
3-2	29331-60A01	SHAFT, FRONT DRIVE SHIFT	1	1	SEE SERVICE BULLETIN I-SE
4	29332-60A10	SHAFT, REDUCTION SHIFT	1	1	
5	29339-60A00	YOKE, REDUCTION SHIFT	1	1	
6	09205-05012	SPRING PIN	2	2	
7	09440-19020	SPRING	1	1	
8	09181-14167	WASHER	2	2	
9-1	08332-11126	E RING	2	2	SEE SERVICE BULLETIN I-SE
9-2	09383-10002	E RING	2	2	SEE SERVICE BULLETIN I-SE
10	29334-60A00	PIN, SELECT RETURN	1	1	
11	06112-12004	BALL	2	2	
12	09440-10033	SPRING, SELECT RETURN	1	1	
13	09160-18018	WASHER (18X24X2)	1	1	
14	21941-85C40	BOLT	1	1	
15	06112-10004	BALL	3	3	
16	29415-85C00	SPRING, LOCATING	2	2	
17	09128-10002	SCREW	2	2	
18-1	29300-60A13	LEVER, GEAR SHIFT CONTROL	1	1	MT
18-2	29300-77E10	LEVER, GEAR SHIFT CONTROL	1	1	AT
19	29344-85C00	KNOB, LEVER	1	1	
20	02112-06123	SCREW	1	1	
21	29535-60A00	SEAT, LEVER	1	1	
22	21935-85C00	CLAMP	1	1	
23	29346-56B01	BOOT, LEVER	1	1	
24	29347-56B00	COVER, BOOT	1	1	
25	29349-60A10	SHEET, T/F GEAR SHIFT LEVER	1	1	
26	03141-06203	SCREW	8	8	
27	29750-60A00	CASE, LEVER	1	1	
28	01550-08203	BOLT	5	5	
29	21941-85C50	BOLT, LEVER LOCATING	2	2	
30	21945-85C00	LOCK WASHER	2	2	
31-1	21931-85C30	HOSE, BREATHER	1	1	MT
31-2	09352-70113-00B	HOSE, BREATHER	1	1	AT, L:2000>1040
32	46543-85C00	PLUG, BREATHER	1	1	AT

# FIG. 75

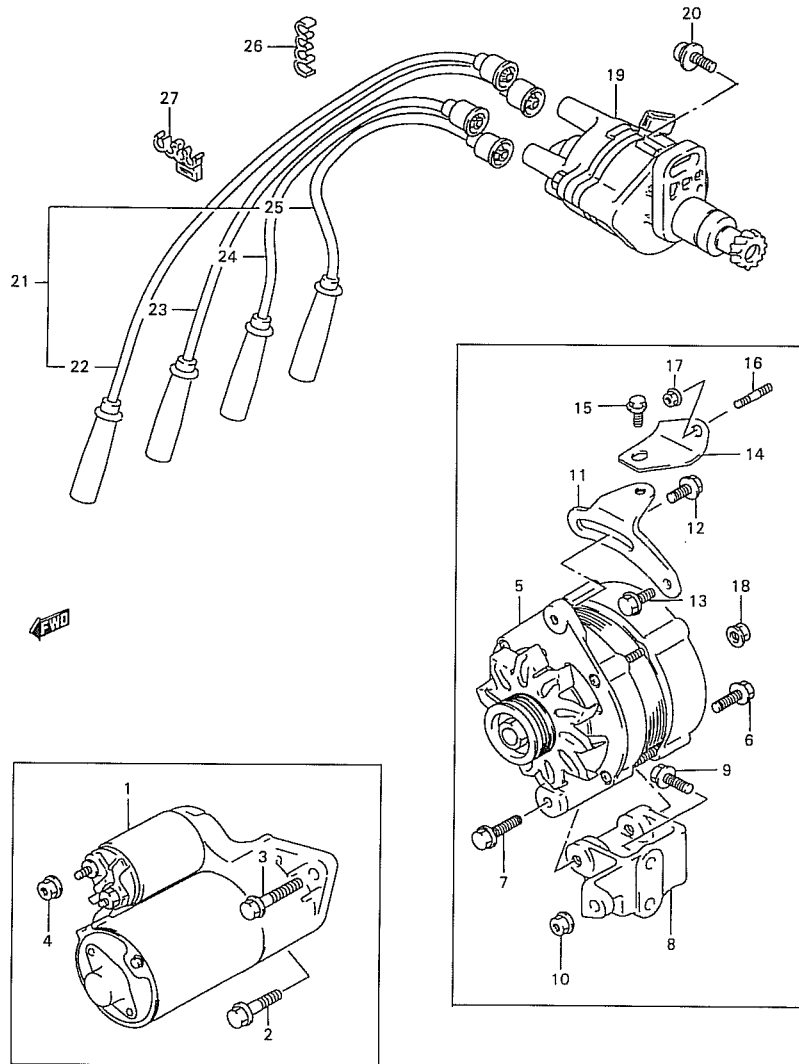


## FIG 75. TRANSFER CASE

REF. NO.	PART NO.	DESCRIPTION	Q' TY		REMARKS
			C	V	
1	29511-85C00	CASE, TRANSFER FRONT	1	1	
2	29521-60A01	CASE, TRANSFER CENTER	1	1	
3	29531-85F00	CASE, TRANSFER REAR	1	1	
4	09206-13011	PIN, CASE	6	6	
5	01550-08303	BOLT	20	20	
6	01550-08803	BOLT	1	1	
7	01550-08453	BOLT	15	15	
8	29528-60A00	GUYTER, CENTER CASE	1	1	
9	09103-06083	BOLT (6X12)	1	1	
10	29536-60A00	PLATE, REAR CASE	1	1	
11	09103-06083	BOLT (6X12)	1	1	
12	21947-85C40	PLUG, OIL LEVEL & FILLER	1	1	
13	21947-85C50	PLUG, OIL DRAIN	1	1	
14	21947-85C80	PLUG, LOCATING	1	1	
15	37680-60A01	SWITCH ASSY, 4 WHEEL DRIVE	1	1	
16	09280-11002	.O RING	1	1	
17	09247-14013	PLUG, LOW SWITCH	1	1	MT
18	09280-11002	O RING	1	1	MT
19	11851-62B00	HOOK, ENGINE	1	1	
20	37680-60A10	SWITCH ASSY, LOW	1	1	AT
21	09280-11002	.O RING	1	1	AT

FWD

# FIG. 76



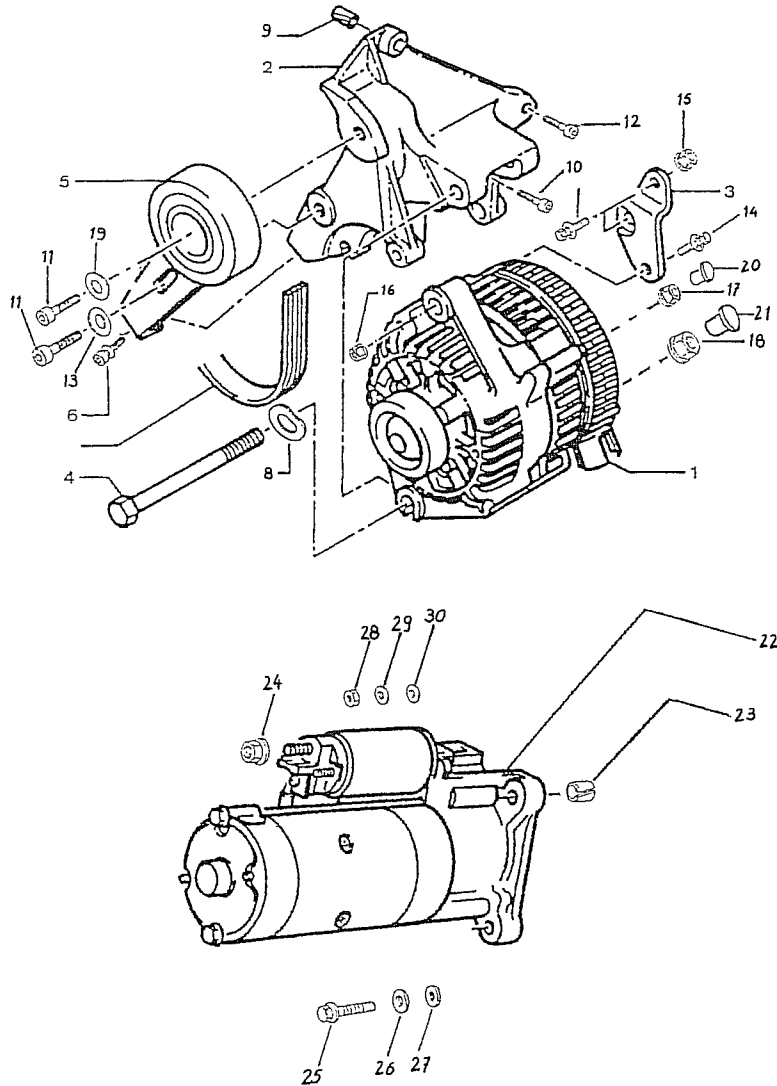
## FIG 76. ENGINE ELECTRICAL (2 VALVE: FUEL INJECTION)



REF. NO.	PART NO.	DESCRIPTION	Q' TY		REMARKS
			C	V	
1	31100-85C00	MOTOR ASSY, STARTING	1	1	
2	01550-08353	BOLT	1	1	
3	01550-08503	BOLT	1	1	
4	08310-10083	NUT	2	2	
5	31400-85C00	GENERATOR ASSY	1	1	
6	01550-08303	BOLT	1	1	
7	01550-08353	BOLT	1	1	
8	17911-56B00	BRACKET, GENERATOR	1	1	
9	01550-08253	BOLT	3	3	
10	08310-10083	NUT	1	1	
11	17921-56B00	ARM, GENERATOR ADJUSTING	1	1	
12	09118-08107	BOLT (8X25)	1	1	
13	01550-08203	BOLT	1	1	
14	17926A56B00	REINFORCEMENT	1	1	
15	01550-08203	BOLT	1	1	
16	01421-08163	STUD BOLT	1	1	
17	08310-10083	NUT	1	1	
18	08316-20063	NUT	1	1	
19	33100-70E10	DISTRIBUTOR ASSY	1	1	
20	09138-08003	SCREW (8X30)	1	1	
21	33705-83020	CORD SET, HIGH TENSION	1	1	
22	33730-60C30	.CORD, HIGH TENSION NO.2	1	1	
23	33740-60C30	.CORD, HIGH TENSION NO.3	1	1	
24	33750-83020	.CORD, HIGH TENSION NO.4	1	1	
25	33760-85220	.CORD, HIGH TENSION NO.5	1	1	
26	09408-00035	CLAMP, HIGH TENSION CORD	1	1	
27	33884-86510	CLAMP, HIGH TENSION CORD	1	1	

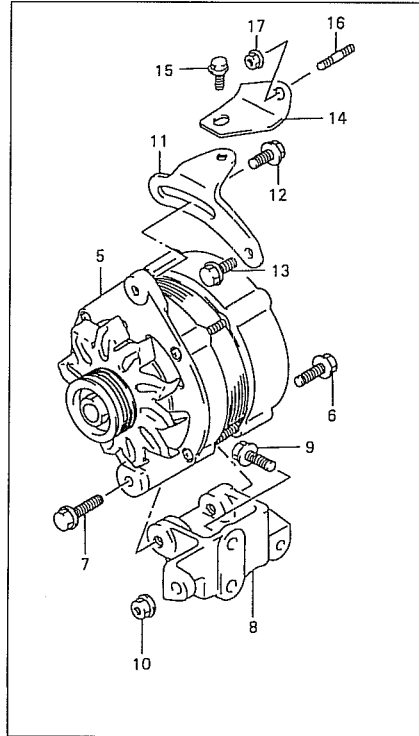
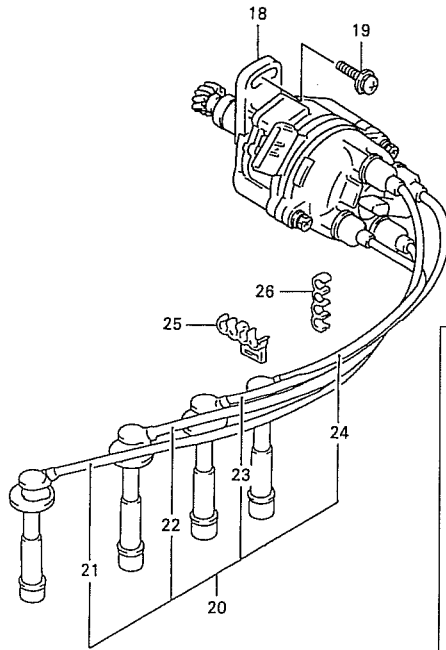
# FIG. 76A

## FIG 76A. ENGINE ELECTRICAL (1.9 T.DIESEL)



REF. NO.	PART NO.	DESCRIPTION	Q' TY		REMARKS
			C	V	
1	31400-86CB0	ALTERNATOR	1	1	VALEO AL1VI24
2	35336-86CA0	BRACKET	1	1	
3	35338-86CA0	BRACKET	1	1	
4	00052-86CA0	SCREW	1	1	M10x150-125
5	35339-86CA0	ROLLER	1	1	
6	00055-86CA0	ADJUSTING SCREW	1	1	
7	35340-86CA0	BELT	1	1	K6
8	02037-86CA0	PLATE WASHER	1	1	14x29-2
9	35337-86CA0	PIN	2	2	10x10
10	00050-86CA0	PRECOATED SCREW	1	1	8x125-55
11	00054-86CA0	SCREW CHC	2	2	8x125-25
12	00051-86CA0	SCREW CHC	1	1	8x125-30
13	09160-86CA8	PLATE WASHER	1	1	8x22
14	00053-86CA0	SCREW	3	3	8x125-30
15	04016-86CA0	NUT	3	3	8x125
16	04017-86CA0	NUT	1	1	8x125
17	08310-00053	NUT	1	1	5x80
18	08310-10083	NUT	1	1	8x125
19	02038-86CA0	FLAT WASHER	1	1	8x16
20	35332-86CA0	PROTECTOR	1	1	M5
21	35333-86CA0	PROTECTOR	1	1	M8
22	31100-86CB1	STARTER MOTOR	1	1	CLASSE 5
23	35341-86CA0	PIN/GOUPILLE	1	1	14x15
24	08310-10083	NUT STARTING MOTOR	1	1	
25	00049-86CA0	SCREW	3	3	
26	02040-86CA0	WASHER PLAIN	3	3	
27	08321A31103	WASHER SPRING	3	3	
28	08310-00053	NUT	1	1	
29	08321A31053	WASHER SPRING	1	1	
30	21945-85C00	WASHER SPRING	1	1	

# FIG. 77



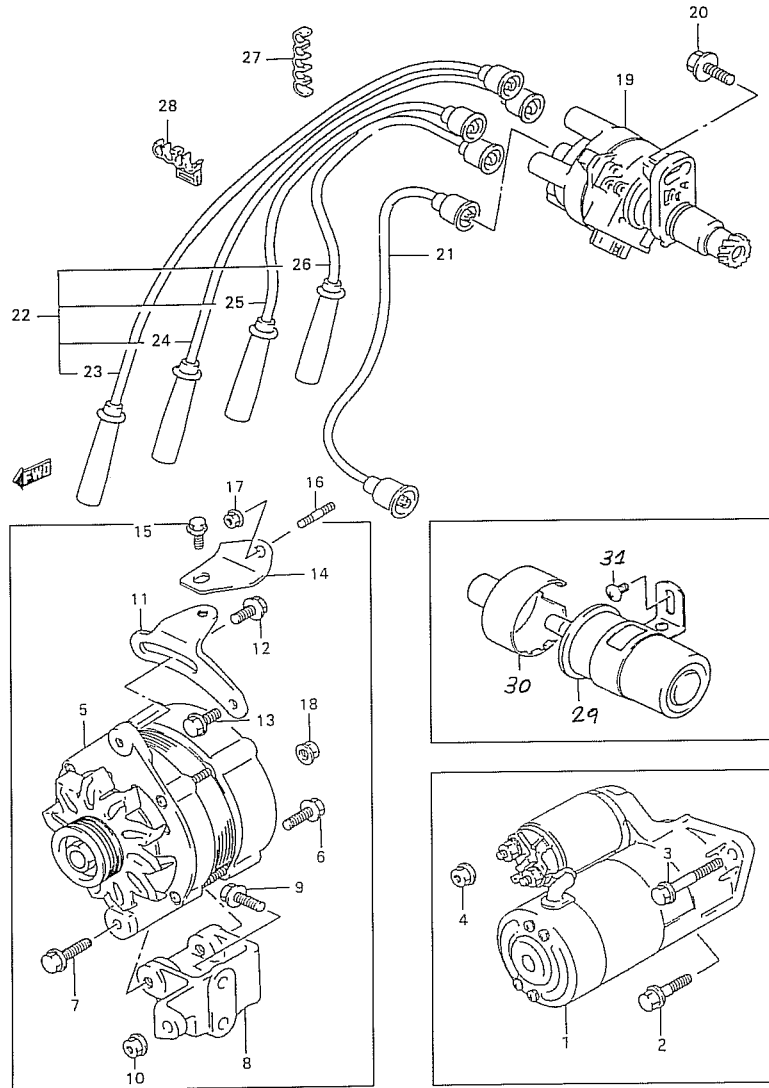
## FIG 77. ENGINE ELECTRICAL (4 VALVE)

REF. NO.	PART NO.	DESCRIPTION	QTY		REMARKS
			C	V	
1	31100-85C00	MOTOR ASSY, STARTING	1	1	
2	01550-08353	BOLT	1	1	
3	01550-08503	BOLT	1	1	
4	08310-10083	NUT	2	2	
5	31400-85C00	GENERATOR ASSY	1	1	
6	01550-08303	BOLT	1	1	
7	01550-08353	BOLT	1	1	
8	17911-71C01	BRACKET, GENERATOR	1	1	
9	01550-08253	BOLT	3	3	
10	08310-10083	NUT	1	1	
11	17921-57B00	ARM, GENERATOR ADJUSTING	1	1	
12	09118-08107	BOLT (8X25)	1	1	
13	01550-08203	BOLT	1	1	
14	17926A56B00	REINFORCEMENT	1	1	
15	01550-08203	BOLT	1	1	
16	01421-08163	STUD BOLT	1	1	
17	08310-10083	NUT	1	1	
18	33100-70E00	DISTRIBUTOR ASSY	1	1	
19	09138-08003	SCREW (8X30)	1	1	
20	33705-57B21	CORD SET, HIGH TENSION	1	1	
21	33730-57B21	.CORD, HIGH TENSION NO.2	1	1	
22	33740-57B21	.CORD, HIGH TENSION NO.3	1	1	
23	33750-57B21	.CORD, HIGH TENSION NO.4	1	1	
24	33760-57B21	.CORD, HIGH TENSION NO.5	1	1	
25	33884-86510	CLAMP, HIGH TENSION CORD	1	1	
26	09408-00035	CLAMP, HIGH TENSION CORD	1	1	



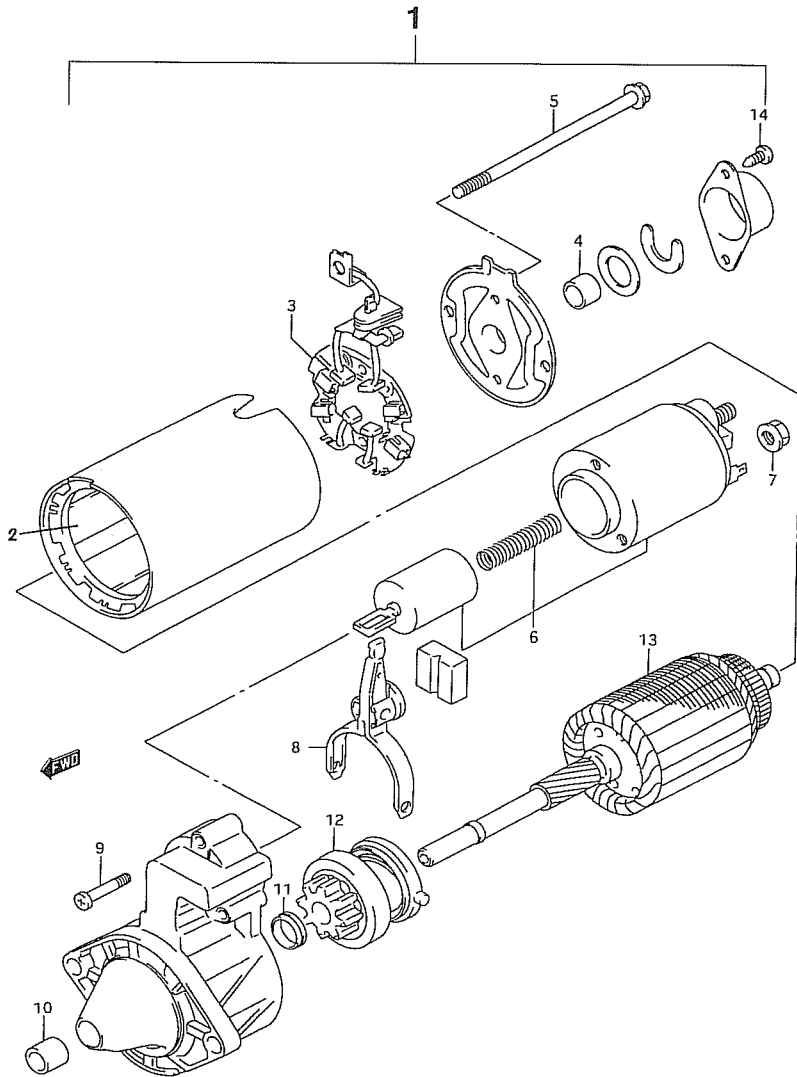
# FIG. 78

## FIG 78. ENGINE ELECTRICAL (2 VALVE: CARBURETOR)



REF. NO.	PART NO.	DESCRIPTION	Q' TY		REMARKS
			C	V	
1	31100-85C00	MOTOR ASSY, STARTING	1	1	
2	01550-08353	BOLT	1	1	
3	01550-08503	BOLT	1	1	
4	08310-10083	NUT	2	2	
5	31400-85C00	GENERATOR ASSY	1	1	
6	01550-08303	BOLT	1	1	
7	01550-08353	BOLT	1	1	
8	17911-56B00	BRACKET, GENERATOR	1	1	
9	01550-08253	BOLT	3	3	
10	08310-10083	NUT	1	1	
11	17921-56B00	ARM, GENERATOR ADJUSTING	1	1	
12	09118-08107	BOLT (8X25)	1	1	
13	01550-08203	BOLT	1	1	
14	17926A56B00	REINFORCEMENT	1	1	
15	01550-08203	BOLT	1	1	
16	01421-08163	STUD BOLT	1	1	
17	08310-10083	NUT	1	1	
18	08316-20063	NUT	1	1	
19	33100-60A10	DISTRIBUTOR ASSY	1	1	
20	09138-08003	SCREW (8X30)	1	1	
21	33710-56B20	CORD, HIGH TENSION NO.1	1	1	
22	33705-83020	CORD SET, HIGH TENSION	1	1	
23	33730-60C30	.CORD, HIGH TENSION NO.2	1	1	
24	33740-60C30	.CORD, HIGH TENSION NO.3	1	1	
25	33750-83020	.CORD, HIGH TENSION NO.4	1	1	
26	33760-85220	.CORD, HIGH TENSION NO.5	1	1	
27	09408-00116	CLAMP, HIGH TENSION CORD	1	1	
28	33884-86510	CLAMP, HIGH TENSION CORD	1	1	
29	33410-60A10	COIL ASSY, IGNITION	1	1	
30	30009-00000	COVER, IGNITION COIL	1	1	

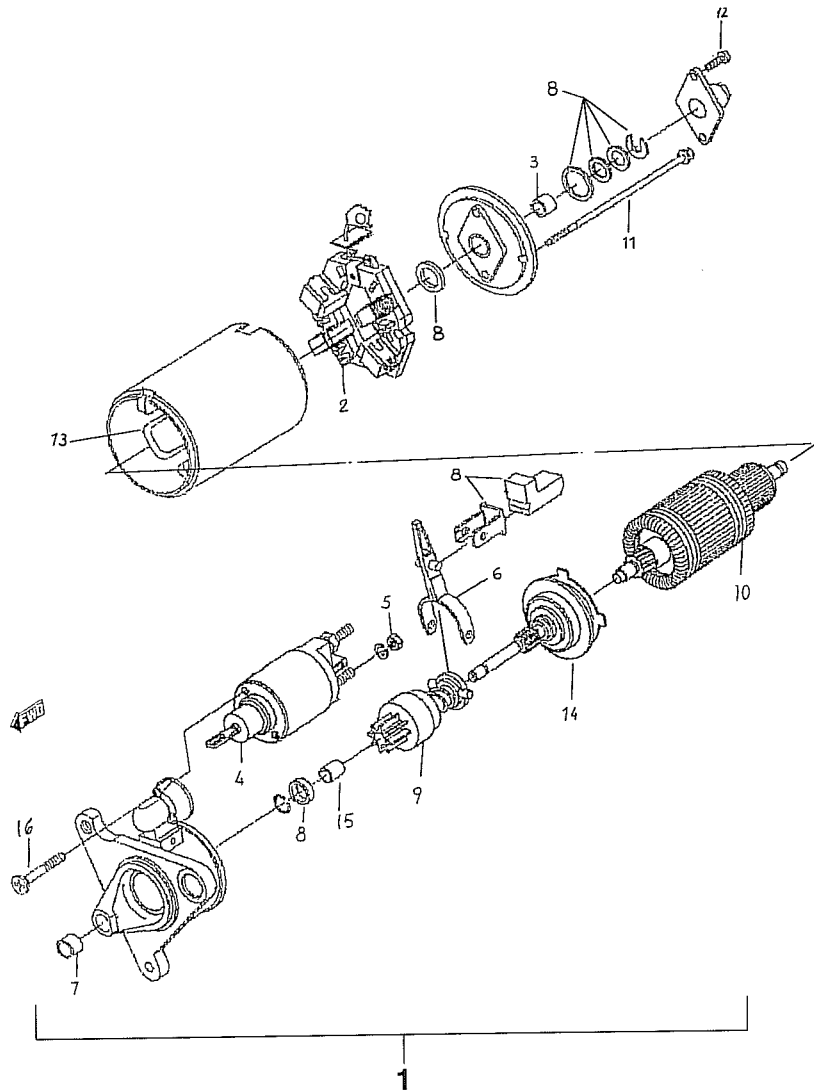
# FIG. 79



## FIG 79. STARTING MOTOR (FUEL INJECTION)

REF. NO.	PART NO.	DESCRIPTION	Q' TY		REMARKS
			C	V	
1	31100-85C00	MOTOR ASSY, STARTING	1	1	
2	31110-85C00	.YOKE ASSY	1	1	
3	31131-85C00	.BRUSH ASSY	1	1	
4	31172-85C00	.BUSH	1	1	
5	31261-85C00	.SCREW	2	2	
6	31220-85C00	.SWITCH ASSY	1	1	
7	08361-15083	.NUT	1	1	
8	31191-85C00	.LEVER	1	1	
9	31136-85C00	.SCREW	3	3	
10	31152-85C00	.BUSH	1	1	
11	31152-85C10	.BUSH	2	2	
12	31320-85C00	.CLUTCH ASSY	1	1	
13	31311-85C00	.ARMATURE	1	1	
14	31136-85C10	.SCREW	2	2	

# FIG. 79A



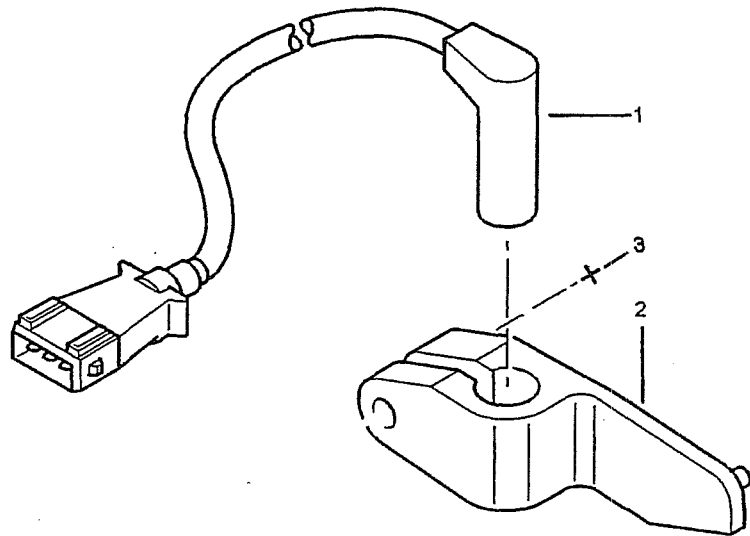
## FIG 79A. STARTING MOTOR 1.9 TD

REF. NO.	PART NO.	DESCRIPTION	Q' TY		REMARKS
			C	V	
1	31100-86CB1	STARTING MOTOR ASSY	1	1	1.9 TD/1.9 D
2	31131-86CA0	.BRUSH ASSY	1	1	
3	31172-86CA0	.BUSH	1	1	
4	31220-86CA0	.SWITCH ASSY	1	1	
5	08316-86CA0	.NUT	1	1	
6	31191-86CA0	.LEVER	1	1	
7	31152-86CA0	.BUSH	1	1	
8	31152-86CA1	.BUSH	1	1	
9	31320-86CA0	.CLUCTH ASSY	1	1	
10	31311-86CA0	.ARMATURE	1	1	
11	31261-86CA0	.BOLT	1	1	
12	31262-86CA0	.SCREW	1	1	
13	31110-86CA0	.YOKE ASSY	1	1	
14	31341-86CA0	.GEAR, MOTOR SHAFT	1	1	
15	31152-86CA2	.BUSH	1	1	
16	31262-86CA1	.BOLT	1	1	

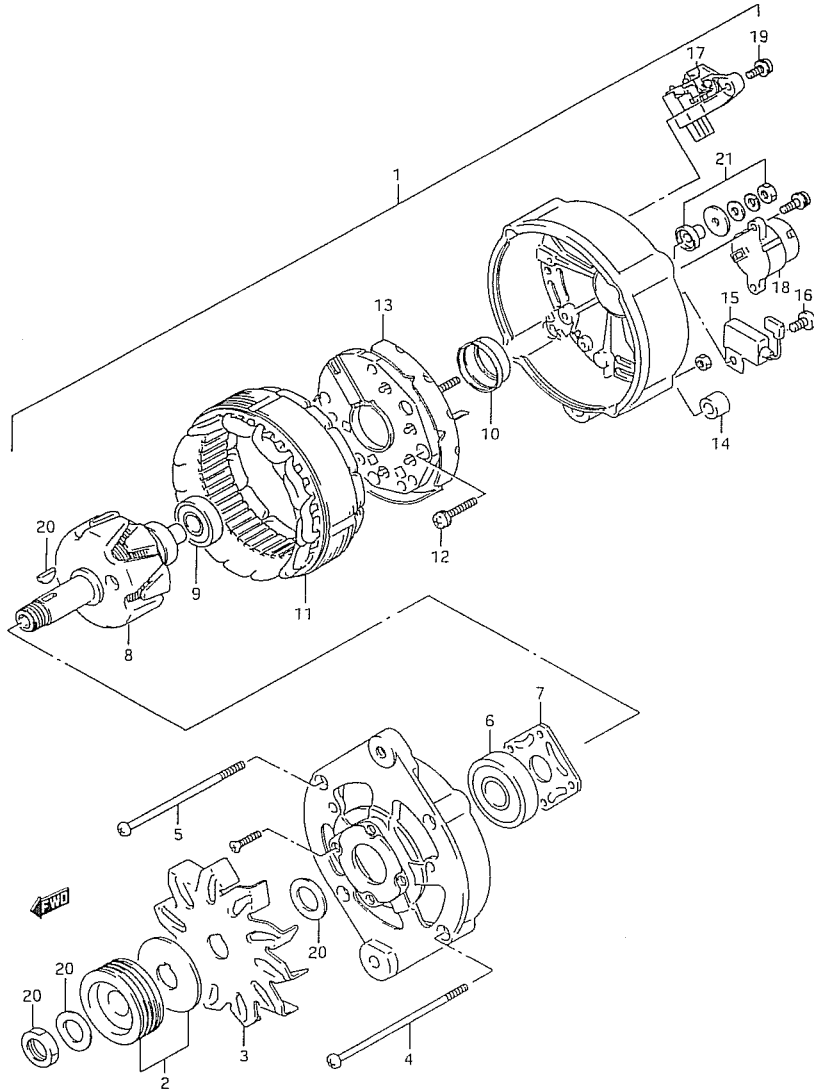
# FIG. 80

## FIG 80. PROXIMITY SENSOR 1.9 TD

REF. NO.	PART NO.	DESCRIPTION	Q' TY		REMARKS
			C	V	
1	18590-86CA0	PROXIMITY SENSOR	1	1	
2	24831-86CA0	SENSOR BRACKET	1	1	
3	11119-86CB3	SCREW THRDL	1	1	6x100-35



# FIG. 81

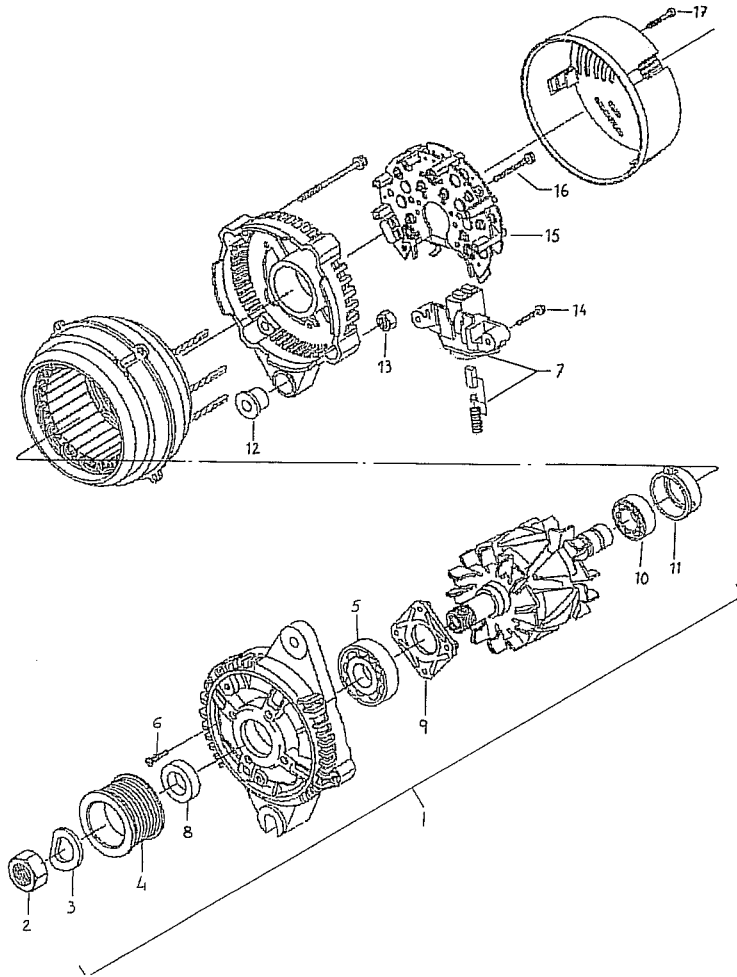


## FIG 81. GENERATOR

REF. NO.	PART NO.	DESCRIPTION	Q' TY		REMARKS
			C	V	
1	31400-85C00	GENERATOR ASSY	1	1	
2	31171-85C00	.PULLEY	1	1	
3	31761-85C00	.FAN	1	1	
4	31651-85C00	.BOLT	1	1	
5	31651-85C10	.BOLT	3	3	
6	31582-85C00	.BEARING	1	1	
7	31585-85C00	.PLATE, BEARING	1	1	
8	31710-85C00	.ROTOR ASSY	1	1	
9	31612-85C00	.BEARING	1	1	
10	31583-85C00	.BUSH	1	1	
11	31410-85C00	.STATOR ASSY	1	1	
12	31586-85C00	.SCREW	3	3	
13	31621-85C00	.RECTIFIER ASSY	1	1	
14	31616-85C00	.BUSH	1	1	
15	31641-85C00	.CONDENSOR	1	1	
16	31586-85C10	.SCREW	1	1	
17	32500-85C00	.REGULATOR ASSY	1	1	
18	31791-85C00	.CONNECTOR	1	1	
19	31586-85C20	.SCREW	2	2	
20	31775-85C00	.PARTS SET, ROTOR	1	1	
21	31514-85C00	.PARTS SET, INSULATOR	1	1	

# FIG. 81A

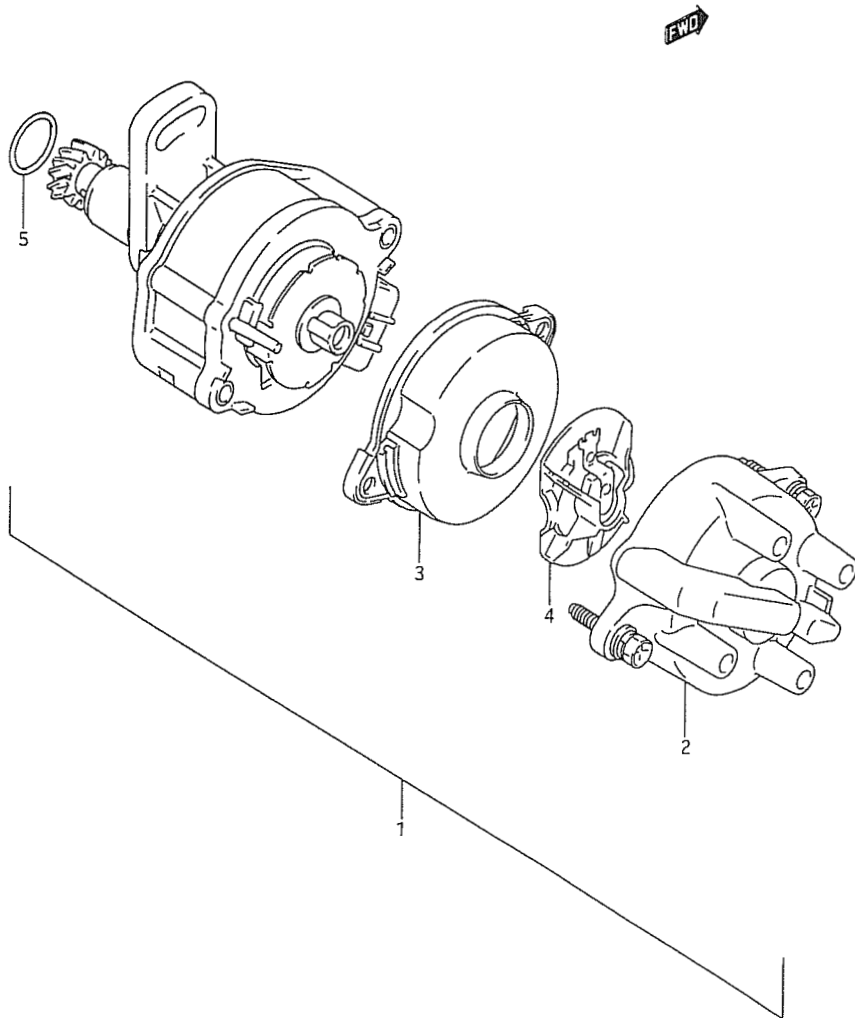
# FIG 81A. GENERATOR 1.9 TD



REF. NO.	PART NO.	DESCRIPTION	Q' TY		REMARKS
			C	V	
1	31400-86CB0	ALTERNATOR ASSY	1	1	1.9 TD/ 1.9 D
2	31775-86CA0	.NUT	1	1	
3	00000A01204	.WASHER	1	1	
4	31171-86CA0	.PULLEY	1	1	
5	31582-86CA0	.BEARING	1	1	
6	00000A01205	.SCREW	4	4	
7	35333-86CA0	.REGULATOR ASSY	1	1	
8	09180-86CA0	.SPACER	1	1	
9	31585-86CA0	.RETAINER, BEARING	1	1	
10	31612-86CA0	.BEARING	1	1	
11	31613-86CA0	.COVER BEARING	1	1	
12	11555-86CA0	.BUSH	1	1	
13	08316-86CA2	.NUT	1	1	
14	02112-86CA0	.SCREW	1	1	
15	31621-86CA0	.RECTIFIER	1	1	
16	02112-86CA1	.SCREW	1	1	
17	02112-86CA2	.SCREW	1	1	

# FIG. 82

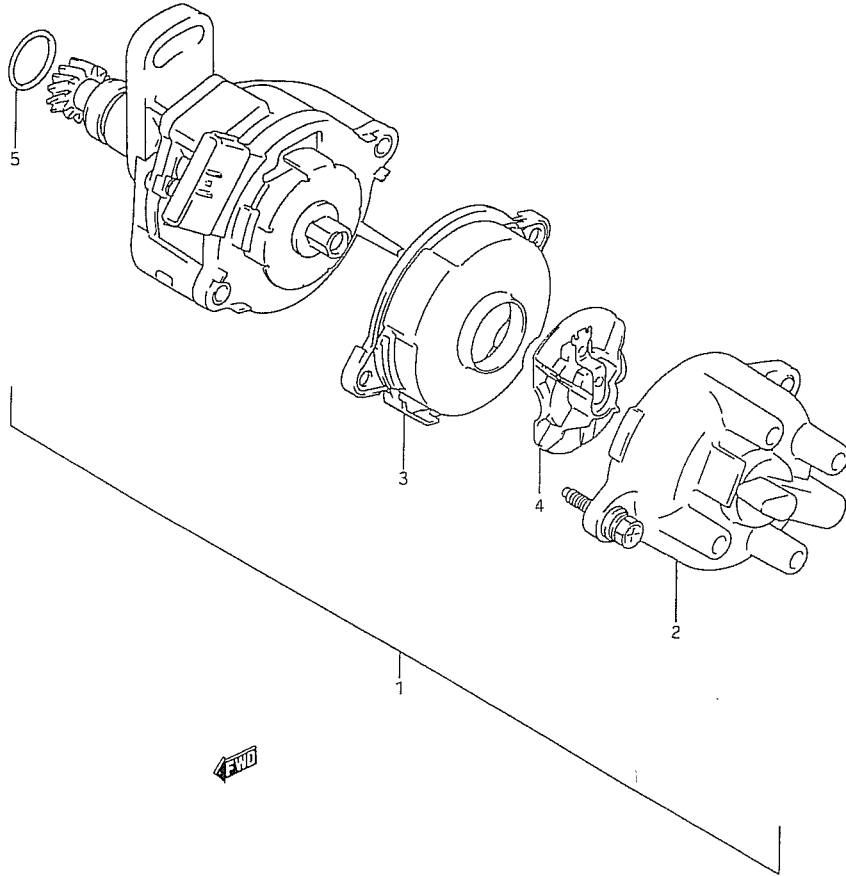
## FIG 82. DISTRIBUTOR (2 VALVE: FUEL INJECTION)



REF. NO.	PART NO.	DESCRIPTION	Q' TY		REMARKS
			C	V	
1	33100-70E10	DISTRIBUTOR ASSY	1	1	
2	33321-70E10	.CAP, DISTRIBUTOR	1	1	
3	33326-70E10	.COVER, DISTRIBUTOR	1	1	
4	33310-70E00	.ROTOR, DISTRIBUTOR	1	1	
5	33278-85060	.SEAL, DISTRIBUTOR	1	1	

# FIG. 83

## FIG 83. DISTRIBUTOR (4 VALVE)

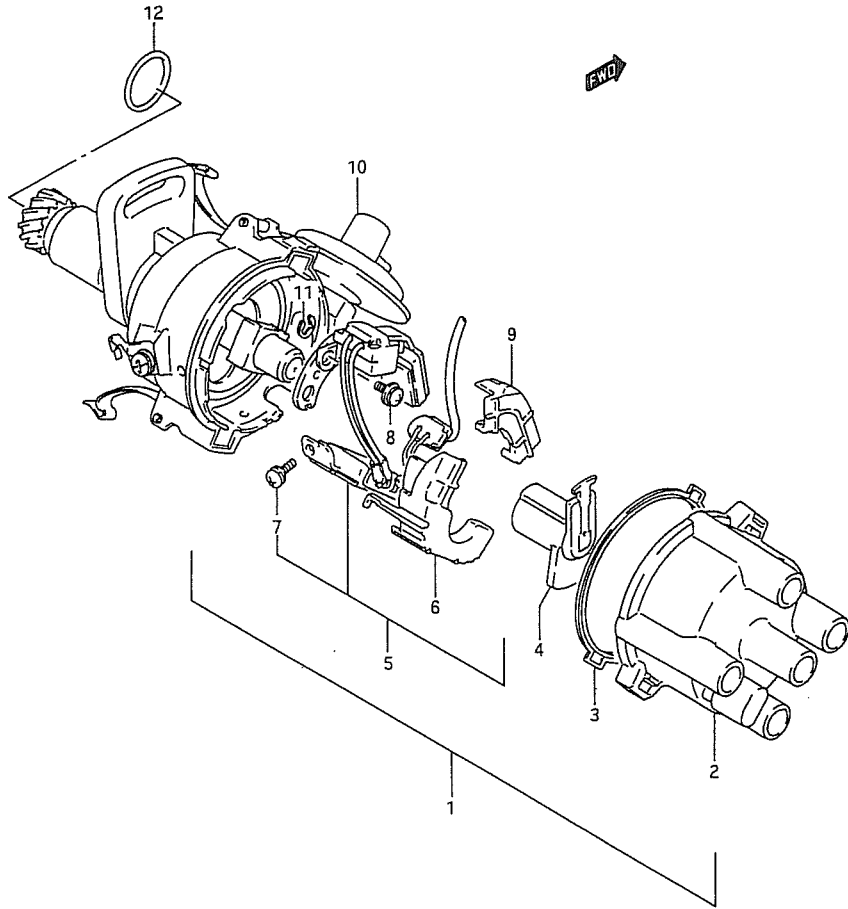


REF. NO.	PART NO.	DESCRIPTION	Q' TY		REMARKS
			C	V	
1	33100-70E00	DISTRIBUTOR ASSY	1	1	
2	33321-70E00	.CAP, DISTRIBUTOR	1	1	
3	33326-70E00	.COVER, DISTRIBUTOR	1	1	
4	33310-70E00	.ROTOR, DISTRIBUTOR	1	1	
5	33278-85060	.O RING, DISTRIBUTOR	1	1	



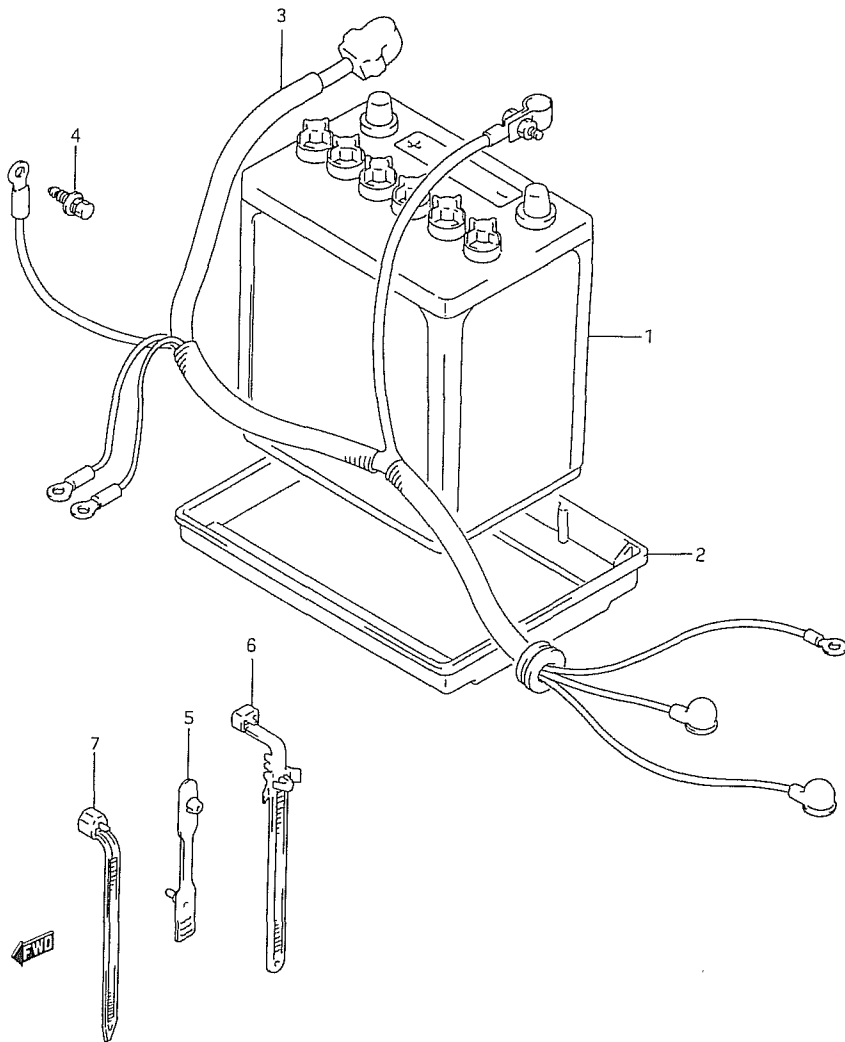
# FIG. 84

## FIG 84. DISTRIBUTOR (2 VALVE: CARBURETOR)



REF. NO.	PART NO.	DESCRIPTION	Q' TY		REMARKS
			C	V	
1	33100-60A10	DISTRIBUTOR ASSY	1	1	
2	33321-60A10	.CAP, DISTRIBUTOR	1	1	
3	33324-79610	.GASKET, CAP	1	1	
4	33310-82010	.ROTOR	1	1	
5	33370-60A10	.IGNITER ASSY	1	1	
6	33297-81060	..COVER, IGNITER DUST	1	1	
7	02112-34083	..SCREW, IGNITER	2	2	
8	33151-80020	..SCREW, GENERATOR	2	2	
9	33279-80020	.COVER, GENERATOR DUST	1	1	
10	33230-60A20	.CONTROLLER ASSY, VACUUM	1	1	
11	33239-76410	.E RING	1	1	
12	33278-85310	.O RING	1	1	

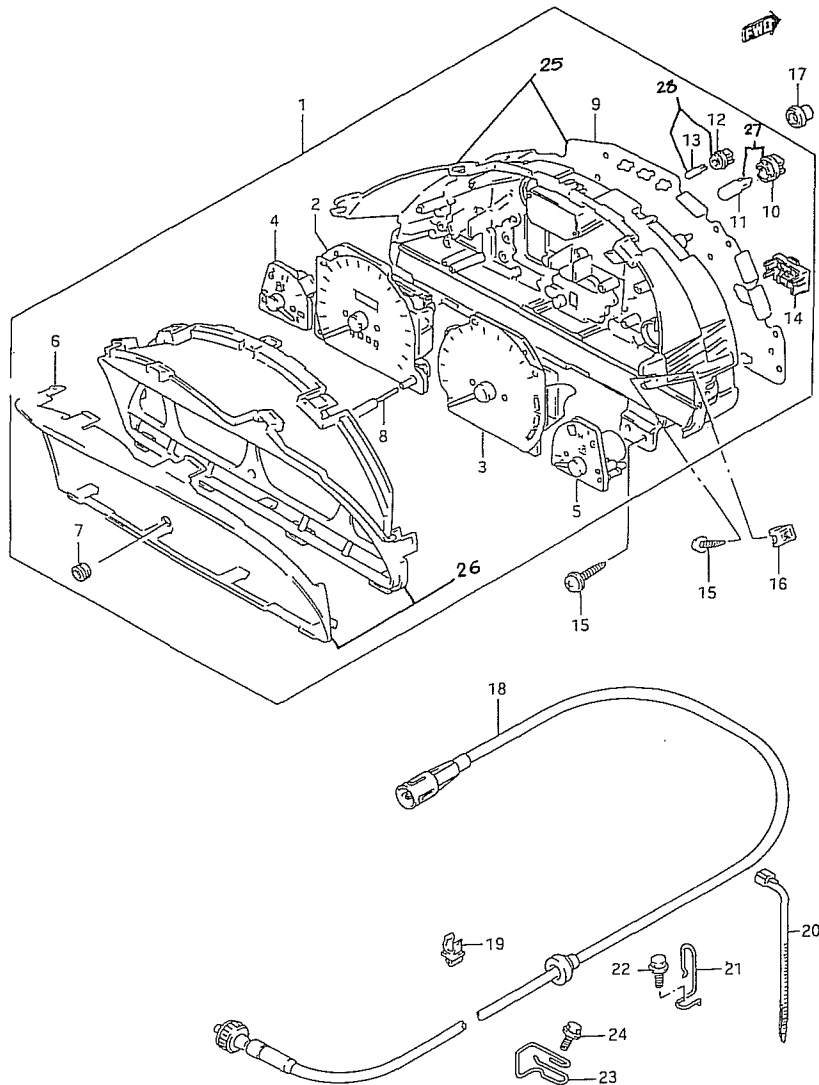
# FIG. 85



## FIG 85. BATTERY

REF. NO.	PART NO.	DESCRIPTION	Q' TY		REMARKS
			C	V	
1-1	33610-85C70-R	BATTERY ASSY	1	1	35AH / 195x128x219
1-2	33610-85C20	BATTERY ASSY	1	1	40AH / 178x135x225
1-3	33610-85C00	BATTERY ASSY	1	1	45AH / 219x135x225
1-4	33610-86CB0-R	BATTERY ASSY	1	1	70AH / 278x175x190 (T.DIESEL)
2-1	33660A73010	TRAY, BATTERY	1	1	243x148x18
2-2	33660-85C00	TRAY, BATTERY	1	1	244x136x18
3-1	33800-70E80	CABLE, STARTER MOTOR	1	1	MY97:2 VALVE
3-2	33800-85C80	CABLE, STARTER MOTOR	1	1	MY98:2 VALVE
3-3	33800-79E20	CABLE, STARTER MOTOR	1	1	MY97:4 VALVE
3-4	33800-85C20	CABLE, STARTER MOTOR	1	1	MY98:4 VALVE
4	09115-06001	BOLT, EARTH	1	1	
5	09407-05403	CLAMP, ACG WIRE (L:88)	1	1	
6-1	09407-12404	CLAMP, CABLE (L:140)	2	2	2 VALVE:E2,4 VALVE
6-2	09407-12404	CLAMP, CABLE (L:140)	3	3	2 VALVE:E21,E22
7	36990-85C10	CLAMP, CABLE	1	1	

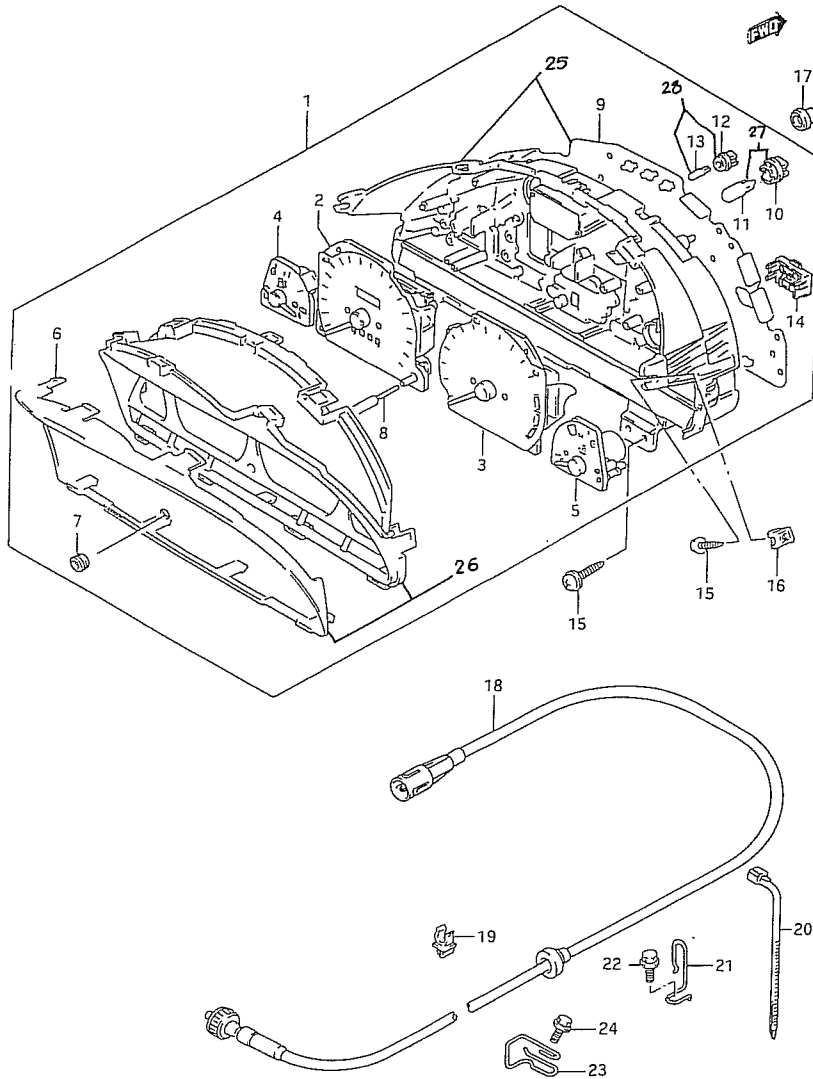
# FIG. 86



# FIG 86. SPEEDOMETER

REF. NO.	PART NO.	DESCRIPTION	QTY		REMARKS
			C	V	
1-1	34101-78EF0	SPEEDOMETER ASSY (MILE/KILO)	1	1	E2
1-2	34101-78EH0	SPEEDOMETER ASSY (KILO)	1	1	
1-3	34101-86CA0	SPEEDOMETER ASSY (KILO)	1	1	1.9 T. DIESEL
2-1	34120-79E10	.BODY ASSY, SPEEDOMETER	1	1	E2 (MILE/KILO)
2-2	34120-79E20	.BODY ASSY, SPEEDOMETER (KILO)	1	1	
2-3	34120-85C00	.BODY ASSY, SPEEDOMETER (KILO)	1	1	1.9 T.DIESEL.
3-1	34220-79E00	.BODY ASSY, TACHOMETER	1	1	
3-2	34220-86CA0	.BODY ASSY, TACHOMETER	1	1	1.9 T.DIESEL
4-1	34320-77E70	.BODY ASSY, FUEL METER	1	1	
4-2	34320-85C00	.BODY ASSY, FUEL METER	1	1	1.9 T.DIESEL
5-1	34420-67E20	.BODY ASSY, TEMP METER	1	1	
5-2	34420-86CA0	.BODY ASSY, TEMP METER	1	1	1.9 T.DIESEL
6	34112-67E20	.GLASS, METER WINDOW	1	1	
7	34145-60B00	.GROMMET	1	1	
8	34141-60E10	.KNOB, TRIP METER	1	1	
9	34152-78E20	.PLATE, PRINTED	1	1	
10	34172-50E10	.SOCKET, BULB	3	3	
11	09471-12131	.BULB (12V,3.4W)	3	3	
12-1	34175-78900	.SOCKET, BULB	12	12	
12-2	34175-78900	.SOCKET, BULB	15	15	W/AIR BAG,ABS
13-1	00000A00085	.BULB (1.4W)	12	12	
13-2	00000A00085	.BULB (1.4W)	15	15	W/AIR BAG,ABS
14-1	34155-50E10	.CIRCUIT, HEAT WARNING	1	1	
14-2	34155-85C00	.CIRCUIT, HEAT WARNING	1	1	1.9 T.DIESEL
15	03541-05203	SCREW, METER	4	4	
16	09148-05020	NUT, SPEEDOMETER	2	2	
17	34955-60E00	BUSH, SPEEDOMETER	2	2	
18-1	34910-60A70	CABLE ASSY, SPEEDOMETER	1	1	MY97,LHD
18-2	34910-61A50	CABLE ASSY, SPEEDOMETER	1	1	MY98,LHD:MT
18-3	34910-62A00	CABLE ASSY, SPEEDOMETER	1	1	MY97,RHD:MT
18-4	34910-61A70	CABLE ASSY, SPEEDOMETER	1	1	MY98,LHD:AT
18-5	34910-60A31	CABLE ASSY, SPEEDOMETER	1	1	MY97,RHD:AT
18-6	34910-62A40	CABLE ASSY, SPEEDOMETER	1	1	MY98,RHD:MT
18-7	34910-61A30	CABLE ASSY, SPEEDOMETER	1	1	MY98,RHD:AT
19	09403-07306	CLAMP, METER CABLE	1	1	
20-1	36990-85C00	CLAMP, METER CABLE	1	1	LHD:MT
20-2	09407-18403	CLAMP, METER CABLE	1	1	LHD:AT
21	34926-60A00	CLAMP, METER CABLE	1	1	MT
22	01550-06163	BOLT	1	1	MT
23	34926-57B20	CLAMP, METER CABLE	1	1	AT

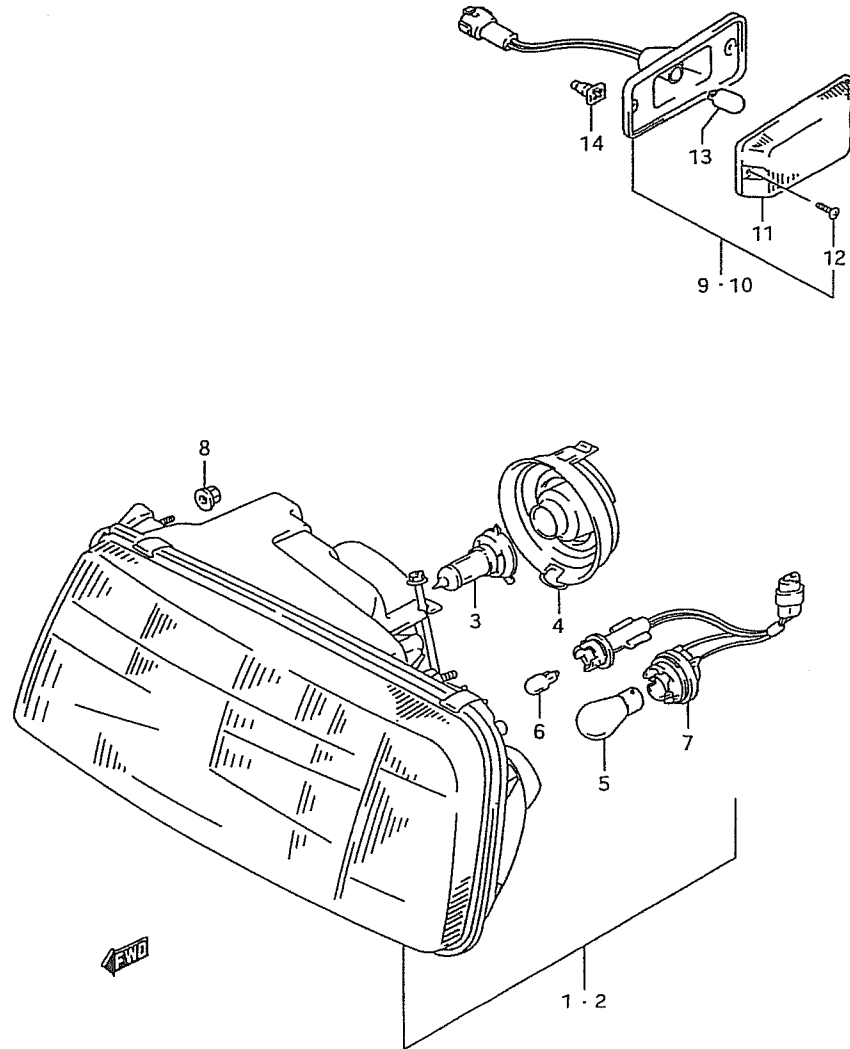
# FIG. 86



# FIG 86. SPEEDOMETER

REF. NO.	PART NO.	DESCRIPTION	QTY		REMARKS
			C	V	
24	01550-06123	BOLT	1	1	AT
25	34152-86CA0	BOX AND PRINTED PLATE	1	1	1.9 T.DIESEL
26	34112-85C00	METER WINDOW	1	1	1.9 T.DIESEL
27	34172-85C00	SOCKET AND BULB	1	1	1.9 T.DIESEL
28	34175-85C00	SOCKET AND BULB	1	1	1.9 T.DIESEL

# FIG. 87

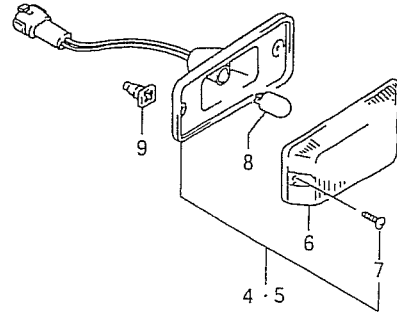


## FIG 87. FRONT LAMP (E2)

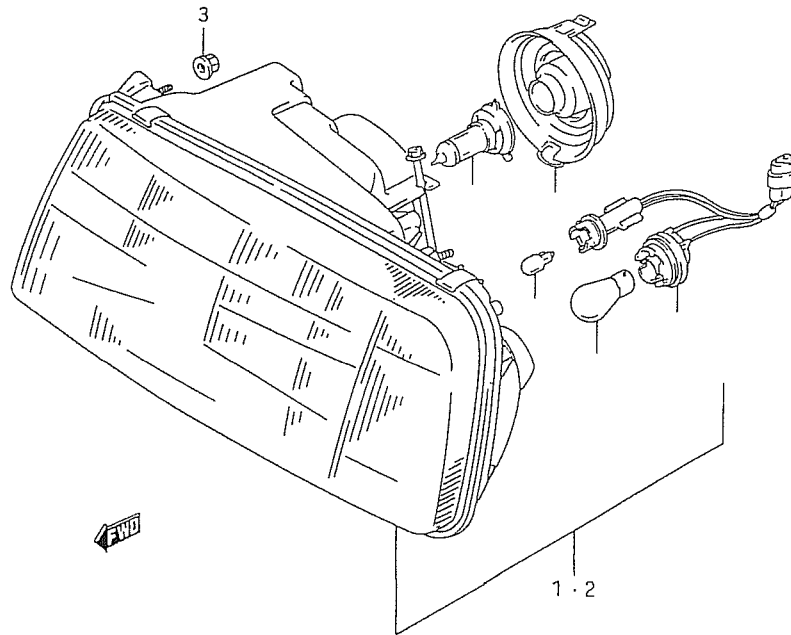
REF. NO.	PART NO.	DESCRIPTION	QTY		REMARKS
			C	V	
1-1	35100-60A21	HEADLAMP ASSY, RH	1	1	MY97,
1-2	35100-60A90	HEADLAMP ASSY, RH	1	1	MY98,
2-1	35300-60A21	HEADLAMP ASSY, LH	1	1	MY97,
2-2	35300-60A90	HEADLAMP ASSY, LH	1	1	MY98,
3	09471-12060	.BULB (12V,60/55W,H4,WHITE)	2	2	
4	35179-82060	.COVER	2	2	
5	00000A00101	.BULB (12V,21W)	2	2	
6	09471-12081	.BULB (12V,5W)	2	2	
7	36118-60A20	.SOCKET	2	2	
8	08316-20063	NUT	8	8	
9	36410-85C00	LAMP, SIDE TURN SIGNAL RH	1	1	
10	36430-85C00	LAMP, SIDE TURN SIGNAL LH	1	1	
11	36412-85C00	.LENS	2	2	
12	03112-04163	.SCREW	4	4	
13	09471-12079	.BULB (12V,4W)	2	2	
14	36578-85C10	NUT	4	4	

# FIG. 88

## FIG 88. FRONT LAMP

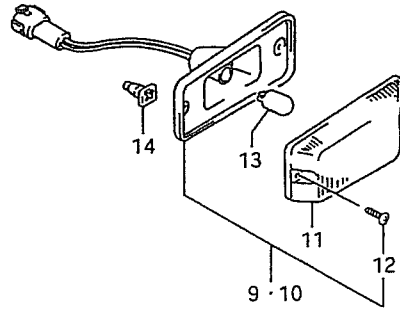


REF. NO.	PART NO.	DESCRIPTION	QTY		REMARKS
			C	V	
1	00000A00881	HEADLAMP ASSY, RH	1	1	N/ELECT. REGULATED
2	00000A00882	HEADLAMP ASSY, LH	1	1	N/ELECT. REGULATED
3	08316-20063	NUT	8	8	
4	36410-85C00	LAMP, SIDE TURN SIGNAL RH	1	1	
5	36430-85C00	LAMP, SIDE TURN SIGNAL LH	1	1	
6	36412-85C00	.LENS	2	2	
7	03112-04163	.SCREW	4	4	
8	09471-12079	.BULB (12V,4W)	2	2	
9	36578-85C10	NUT	4	4	

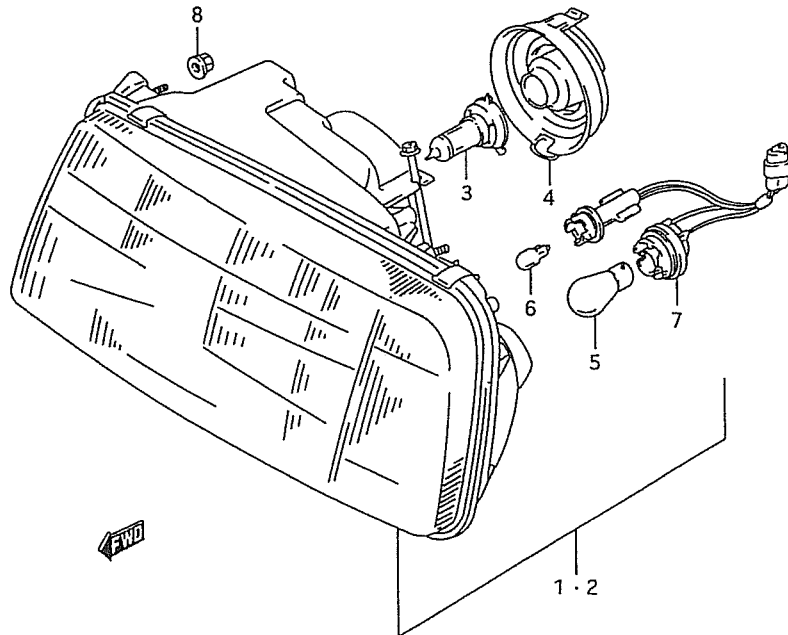


# FIG. 89

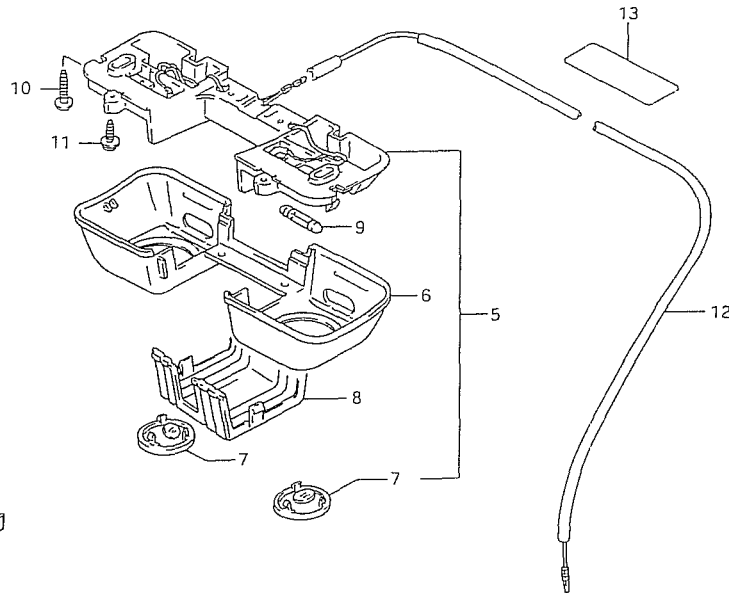
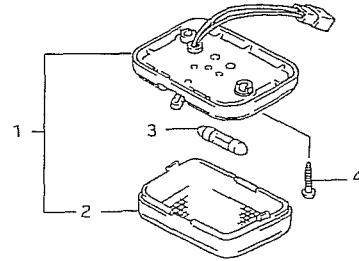
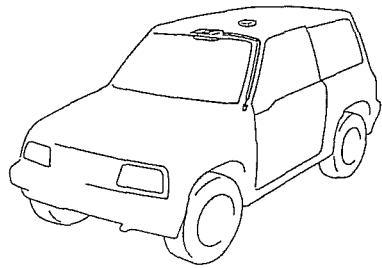
## FIG 89. FRONT LAMP (LHD)



REF. NO.	PART NO.	DESCRIPTION	QTY		REMARKS
			C	V	
1	35100-85C10	HEADLAMP ASSY, RH	1	1	ELECT. REGULAT.
2	35300-85C10	HEADLAMP ASSY, LH	1	1	ELECT. REGULAT.
3	09471-12060	.BULB (12V,60/55W,HA)	2	2	
4	35179-82060	.COVER	2	2	
5	00000A00101	.BULB (12V,21W)	2	2	
6	09471-12081	.BULB (12V,5W)	2	2	
7	36118-60A20	.SOCKET	2	2	
8	08316-20063	NUT	8	8	
9	36410-85C00	LAMP, SIDE TURN SIGNAL RH	1	1	
10	36430-85C00	LAMP, SIDE TURN SIGNAL LH	1	1	
11	36412-85C00	.LENS	2	2	
12	03112-04163	.SCREW	4	4	
13	09471-12079	.BULB (12V,4W)	2	2	
14	36578-85C10	NUT	4	4	



# FIG. 90



# FIG 90. ROOM LAMP

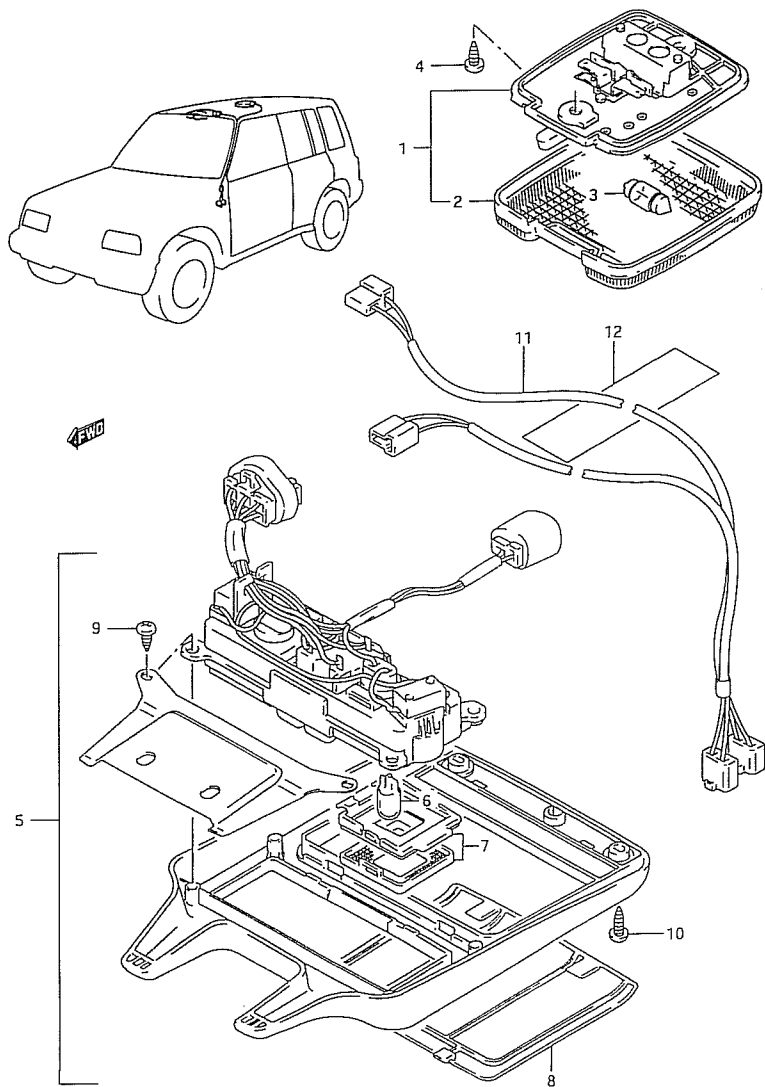
REF. NO.	PART NO.	DESCRIPTION	Q' TY		REMARKS
			C	V	
1-1	36210-60A10-5EH	LAMP ASSY, ROOM (GRAY)	1	1	MY97,
1-2	36210-85C00-6GS	LAMP ASSY, ROOM (GRAY)	1	1	MY98,
2-1	36212-60A00	.LENS 1 1	1	1	MY97
2-2	36212-85C00	.LENS 1 1	1	1	MY98
3	09471-12073	.BULB (12V,5W)	1	1	
4	03211-04163	SCREW 2 2	2	2	
5-1	36230-85C10	LAMP ASSY, SPOT	1	-	MY97,
5-2	36230-85C10-6GS	LAMP ASSY, SPOT (GRAY)	1	-	MY98,
5-3	36230-85C20	LAMP ASSY, SPOT	-	1	MY97,
5-4	36230-85C20-6GS	LAMP ASSY, SPOT (GRAY)	-	1	MY98,
6-1	36235-60A10	.HOUSING 1 1	1	1	MY97,
6-2	36235-60A10-6GS	.HOUSING (GRAY) 1 1	1	1	MY98,
7-1	36232-60A10	.LENS 2 2	2	2	MY97,
7-2	36232-60A10-T01	.LENS (GRAY) 2 2	2	2	MY98,
8-1	36242-60A10	.COVER 1 1	1	1	MY97,
8-2	36242-60A10-6GS	.COVER (GRAY) 1 1	1	1	MY98,
9	09471-12073	.BULB (12V,5W)	2	2	
10	03141-05203	SCREW 2 2	2	2	
11	03541-04103	SCREW 2 2	2	2	
12	36820-61A10	WIRE, SPOT LAMP	1	1	
13	36930-82010	COVER, WIRE	3	-	



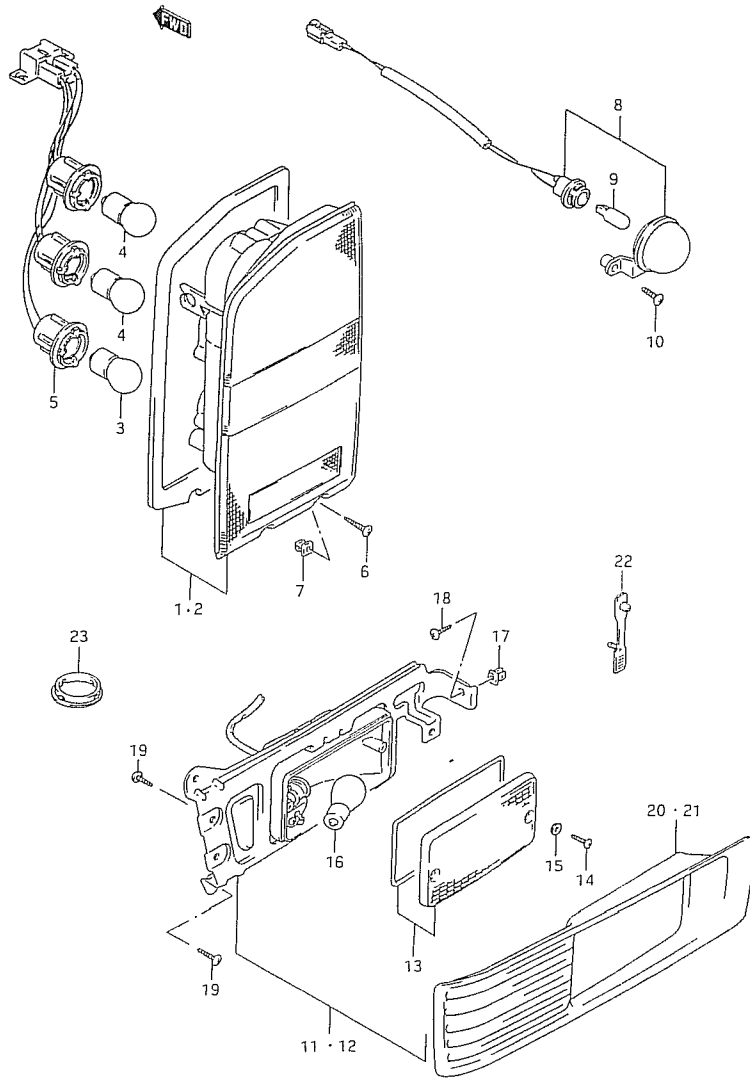
# FIG. 91

# FIG 91. ROOM LAMP (SUN ROOF)

REF. NO.	PART NO.	DESCRIPTION	QTY		REMARKS
			C	V	
1-1	36210-56B00-5EH	LAMP ASSY, ROOM (GRAY)		1	MY97,
1-2	36210-56B00-6GS	LAMP ASSY, ROOM (GRAY)		1	MY98,
2	36212-56B00	.LENS, ROOM LAMP		1	
3	09471-12181	.BULB (12V,10W)		1	
4	03211-05163	SCREW		2	
5-1	37880-56B01-5EH	SWITCH ASSY, SUN ROOF & SPOT		1	MY97, (GRAY)
5-2	37880-56B01-6GS	SWITCH ASSY, SUN ROOF & SPOT		1	MY98, (GRAY)
6	09471-12081	.BULB (12V,5W)		2	
7	37884-56B00	.LENS ASSY		2	
8-1	37881-56B00-5EH	.COVER, SPOT LAMP (GRAY)		1	MY97,
8-2	37881-56B00-6GS	.COVER, SPOT LAMP (GRAY)		1	MY98,
9	03511-04103	.SCREW		4	
10	03141-05203	SCREW		3	
11	36820-70E00	WIRE, ROOM LAMP		1	
12	36930-85C00	COVER		3	



# FIG. 92

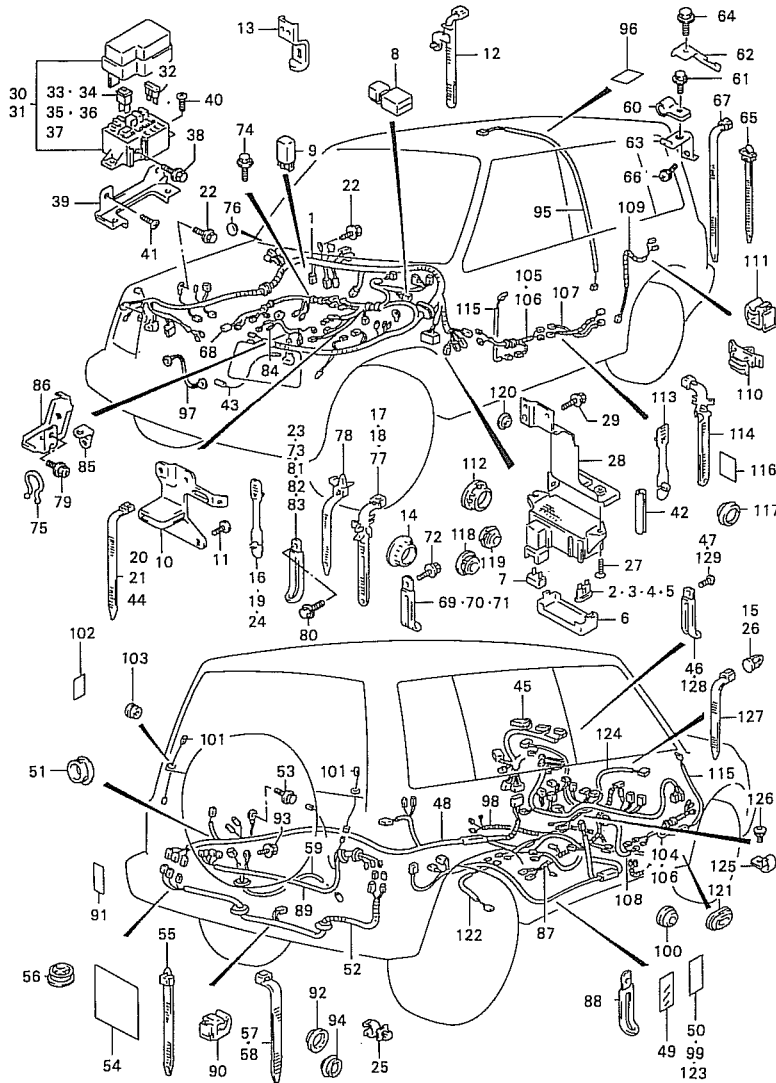


# FIG 92. REAR LAMP

REF. NO.	PART NO.	DESCRIPTION	QTY		REMARKS
			G	V	
1	35650-85C00	LAMP UNIT, REAR COMBINATION RH	1	1	
2	35670-85C00	LAMP UNIT, REAR COMBINATION LH	1	1	
3	09471-12083	BULB (12V,21/5W)	2	2	
4	00000A00101	BULB (12V,21W)	4	4	
5	35655-85C00	SOCKET	2	2	
6	03142-04255	SCREW	4	4	
7	09148-04021	NUT	4	4	
8	35910-85C00	LAMP ASSY, LICENSE	2	2	
9	09471-12081	.BULB (12V,5W)	2	2	
10	03511-04163	SCREW	4	4	
11	36570-85C10	LAMP ASSY, REAR FOG RH	1	1	
12	36590-85C10	LAMP ASSY, REAR FOG LH	1	1	
13	36572-85C10	.LENS	2	2	
14	03212-04169	.SCREW	4	4	
15	35129-04030	.WASHER	4	4	
16	00000A00101	.BULB (12V,21W)	2	2	
17	36578-85C00	NUT	2	2	
18	03141-04123	SCREW	2	2	
19	03541-04123	SCREW	12	12	
20	36571-85C10	BEZEL, REAR FOG LAMP RH	1	1	
21	36591-85C10	BEZEL, REAR FOG LAMP LH	1	1	1
22	09407-05403	CLAMP	2	2	3DR
23	36578-56B00	PROTECTOR, LEAD WIRE	-	2	5DR

# FIG. 93

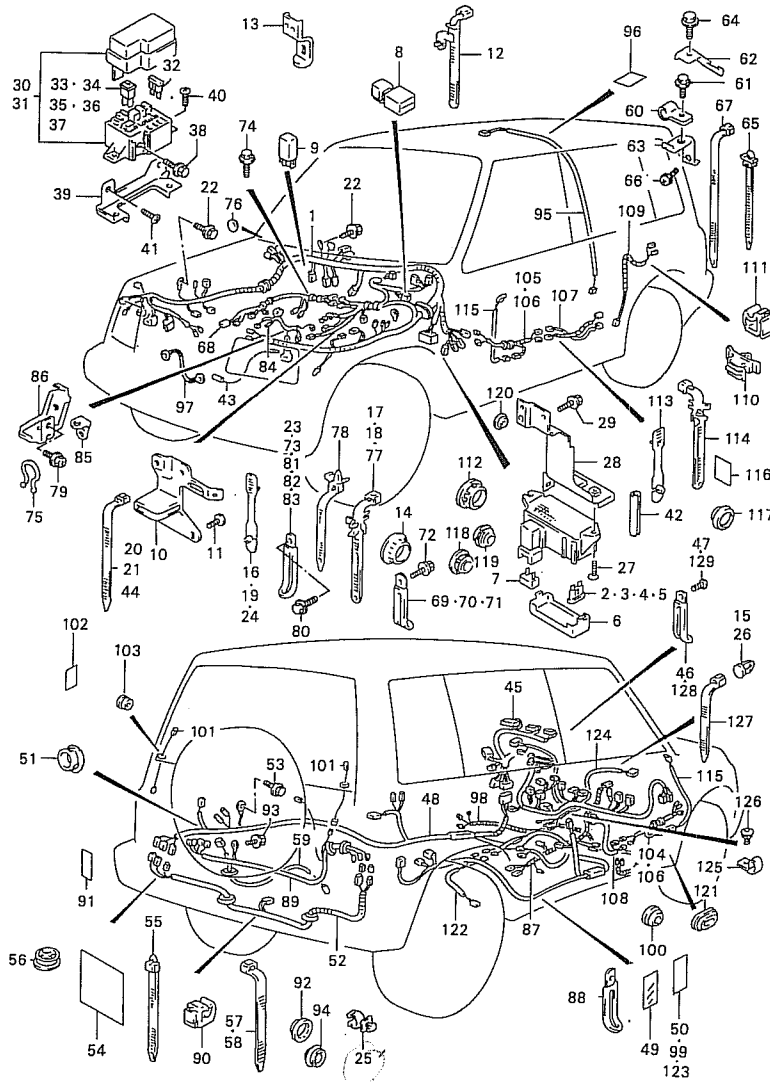
# FIG 93. WIRING HARNESS (LHD)



REF. NO.	PART NO.	DESCRIPTION	QTY		REMARKS
			C	V	
1-1	36601-85C41	HARNESS, WIRING MAIN	1	1	MY97:MT:2 VALVE
1-2	36601-74E50	HARNESS, WIRING MAIN	1	1	MY97:MT:4 VALVE
1-3	36601-74E40	HARNESS, WIRING MAIN	1	1	MY97:MT:W/ABS
1-4	36601-74E70	HARNESS, WIRING MAIN	1	1	MY97:AT
1-5	36601-86CB0	HARNESS, WIRING MAIN	1	1	T.DIESEL
1-6	36910-85C30	HARNESS, WIRING MAIN	1	1	MY98:MT:2 VALVE
1-7	36910-74E10	HARNESS, WIRING MAIN	1	1	MY98:MT:4 VALVE
1-8	36910-74E00	HARNESS, WIRING MAIN	1	1	MY98:MT:W/ABS
1-9	36910-74E20	HARNESS, WIRING MAIN	1	1	MY98:AT
1-10	36910-74E70	HARNESS, WIRING MAIN	1	1	MY98:AT,W/ABS
1-11	36910-86CA0	HARNESS, WIRING MAIN	1	1	T.D.,N/IMMOBILIZER
1-12	36910-86CB0	HARNESS, WIRING MAIN	1	1	T.D.,W/IMMOBILIZER
2	35155-00000	.FUSE (10A)	7	7	E22
3	35156-00000	.FUSE (15A)	AR	AR	
4	35157-00000	.FUSE (20A)	AR	AR	
5	09481-25103	.FUSE (25A)	1	1	
6-1	36717-60A30	.COVER, FUSE BOX	1	1	2 VALVE
6-2	36717-60A11	.COVER, FUSE BOX	1	1	4 VALVE:E22
6-3	36717-77E01	.COVER, FUSE BOX	-	1	4 VALVE
7	36795-82000	.BRAKER, POWER WINDOW	1	1	
8	33553-52E00-R	.FILT, NOISE SUPPRESSOR	1	1	
9-1	38860-60B20	.RELAY, REAR FOG LAMP	1	1	W/REAR FOG LAMP
9-2	33458-82010	.DIODE	1	1	CARBURATION
10	36614-70E00	BRACKET, MAIN HARNESS	1	1	
11	01550-06123	SCREW, MAIN HARNESS BRACKET	2	2	
12	36990-56B00	CLAMP, HARNESS DASH PANEL	5	5	
13	36996-85C00	PROTECTOR, MAIN HARNESS	1	1	
14	09308-25002	PROTECTOR, SIDE LAMP WIRE	2	2	
15	09409-07320	CAP, DASH PANEL HOLE	1	1	
16	09407-05403	CLAMP, WASHER HOSE	3	3	
17-1	09407-12404	CLAMP, HARNESS SIDE (L:140)	12	12	
17-2	09407-12404	CLAMP, HARNESS COWL TOP	8	8	(L:140)
17-3	09407-12404	CLAMP, DOOR CONTROLLER WIRE	1	1	(L:140)
18	09407-12404	CLAMP, FAN SWITCH WIRE	1	1	
19	09407-05403	CLAMP, HORN WIRE	1	1	
20	09407-18403	CLAMP, HARNESS & CABLE	1	1	
21	36990-85C00	CLAMP, IGNITION SWITCH WIRE	1	1	
22	09115-06001	BOLT, HARNESS GROUND	4	4	
23	09404-08420	CLAMP, HARNESS	1	1	
24	09407-05403	CLAMP, AIR CLEANER WIRE	1	1	4 VALVE
25	09407-17401	CLAMP, HARNESS PEDAL HUNGER	1	1	

# FIG. 93

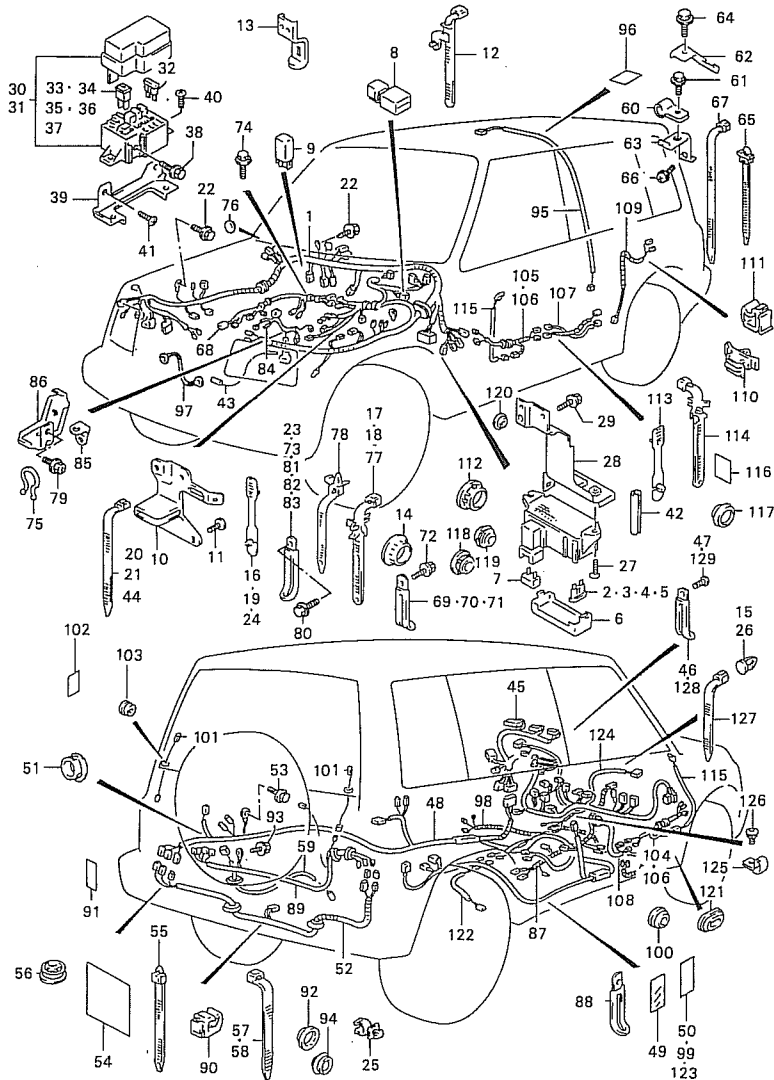
# FIG 93. WIRING HARNESS (LHD)



REF. NO.	PART NO.	DESCRIPTION	C	Q' TY	V	REMARKS
26	<del>09409-07320</del>	CAP, COWL LID CENTER HOLE	1	1		
27-1	<del>02142-05123</del>	SCREW, FUSE BOX	2	2		4 VALVE
27-2	<del>02162-05123</del>	SCREW, FUSE BOX	2	2		<u>2 VALVE</u>
28	<del>36735-77E04</del>	BRACKET, FUSE BOX	1	1		
29	<del>01550-06123</del>	BOLT, FUSE BOX BRACKET	2	2		
30	<del>36730-60A20</del>	BOX ASSY, MAIN FUSE	1	1		<u>2 VALVE</u>
31	<del>36740-77E00</del>	BOX ASSY, MAIN FUSE	1	1		4 VALVE
32	<del>35156-00000</del>	FUSE (15A)	1	3		
33	<del>09481-30203</del>	FUSE (30A)	1	1		4 VALVE
34	<del>09481-40203</del>	FUSE (40A)	1	1		
35-1	<del>09481-50201</del>	FUSE (50A)	1	1		MY97,
35-2	<del>09481-50203</del>	FUSE (50A)	1	1		MY98,
36-1	<del>09481-60301</del>	FUSE (60A)	1	1		2 VALVE
36-2	<del>09481-60202</del>	FUSE (60A)	1	1		4 VALVE
37	<del>09481-80301</del>	FUSE (80A)	1	1		4 VALVE
38	<del>09138-06040</del>	BOLT, SLOW BLOW FUSE	2	2		
39-1	<del>36737-60A00</del>	BRACKET, MAIN FUSE	1	1		2 VALVE
39-2	<del>36737-70E00</del>	BRACKET, MAIN FUSE	1	1		4 VALVE
40	<del>01550-06123</del>	SCREW, MAIN FUSE BOX	2	2		4 VALVE
41-1	<del>01550-06123</del>	SCREW, MAIN FUSE BRACKET	4	4		2 VALVE
41-2	<del>01550-06123</del>	SCREW, MAIN FUSE BRACKET	3	3		4 VALVE
42	<del>75958-77E00</del>	PROTECTOR, FUSE BOX BRACKET	1	1		
43	<del>36955-60A00</del>	WIRE, POWER STEERING	1	1		W/POWER STEERING
44	<del>36990-85C10</del>	CLAMP, POWER STEERING WIRE	2	2		W/POWER STEERING
45-1	<del>36620-77EQ1</del>	HARNESS, INSTRUMENT PANEL	1	1		PETROL:MY97,N/AIR BAG
45-2	<del>36620-85FER0</del>	HARNESS, INSTRUMENT PANEL	1	1		PETROL:MY98,N/AIR BAG
45-3	<del>36620-85C00</del>	HARNESS, INSTRUMENT PANEL	1	1		PETROL:MY97,W/AIR BAG
45-4	<del>36620-85C30</del>	HARNESS, INSTRUMENT PANEL	1	1		PETROL:MY98,W/AIR BAG
45-5	<del>36620-86CB0</del>	HARNESS, INSTRUMENT PANEL	1	1		T. DIESEL:N/AIR BAG -VSEET
45-6	<del>36620-86CB1</del>	HARNESS, INSTRUMENT PANEL	1	1		T. DIESEL:N/AIR BAG VSEETV
45-7	<del>36620-85CC0</del>	HARNESS, INSTRUMENT PANEL	1	1		T. DIESEL:W/AIR BAG -VSEET
45-8	<del>36620-85CC1</del>	HARNESS, INSTRUMENT PANEL	1	1		T. DIESEL:W/AIR BAG VSEETV
46-1	<del>09404-06427</del>	CLAMP, HARNESS (L:95)	9	9		
46-2	<del>09403A48401</del>	CLAMP, HARNESS (L:80)	4	4		MY97
46-3	<del>09404-06432</del>	CLAMP, HARNESS (L:80)	4	4		MY98
47	<del>03541-05163</del>	SCREW, CLAMP (L:16)	15	15		
48-1	<del>36630-77EC0</del>	HARNESS, WIRING FLOOR	1	-		MY98:3DR

# FIG. 93

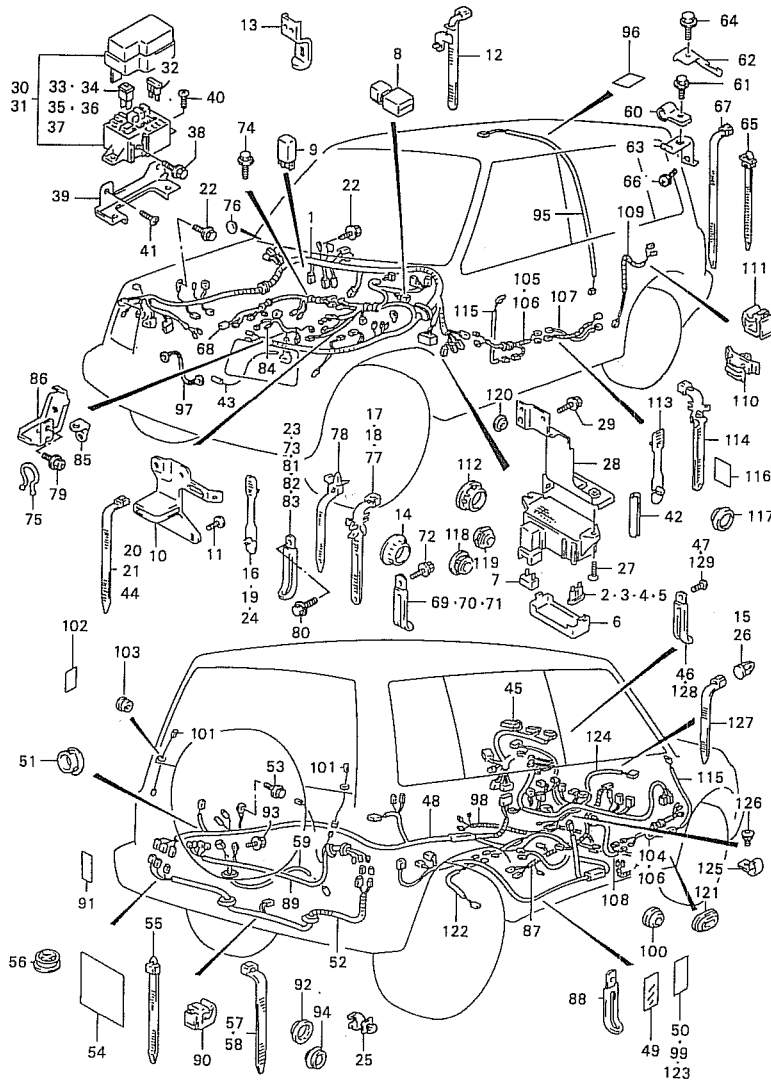
# FIG 93. WIRING HARNESS (LHD)



REF. NO.	PART NO.	DESCRIPTION	Q' TY		REMARKS
			C	V	
48-2	36630-71E00	HARNESS, WIRING FLOOR	1	1	MY97, 3DR:W/ABS
48-3	36630-77E00	HARNESS, WIRING FLOOR	-	1	MY98, 3DR
48-4	36630-72E00	HARNESS, WIRING FLOOR	-	1	MY97, 5DR:JX
48-5	36630-77E00	HARNESS, WIRING FLOOR	-	1	MY98, 3DR:W/ABS
48-6	36630-77E50	HARNESS, WIRING FLOOR	-	1	MY97, 5DR:JLX
48-7	36630-73E20	HARNESS, WIRING FLOOR	-	1	MY98, 5DR:JX
48-8	36630-71E20	HARNESS, WIRING FLOOR	-	1	MY97, 5DR:JLX,W/ABS
48-9	36630-85F50	HARNESS, WIRING FLOOR	-	1	MY98, 5DR:JLX
48-1	36630-73E40	HARNESS, WIRING FLOOR	-	1	MY98:5DR:JLX,W/ABS
49	36930-85C00	COVER, FLOOR HARNESS	-	4	5DR
50-1	36930-85C00	COVER, FLOOR HARNESS	3	3	3DR
50-2	36930-85C00	COVER, FLOOR HARNESS	-	6	5DR
51-1	09308-42001	PROTECTOR, FLOOR HARNESS	1	1	3DR
51-2	09308-42001	PROTECTOR, FLOOR HARNESS	-	2	5DR
52-1	36640-57B31	HARNESS, WIRING REAR LAMP	1	1	3DR
52-2	36640-77E20	HARNESS, WIRING REAR LAMP	-	1	5DR
53	09129-06002	SCREW, HARNESS GROUND	1	1	
54	36930-70E10	COVER, HARNESS	1	1	
55-1	09407-11402	CLAMP, HARNESS (L:90)	3	3	3DR
55-2	09407-11402	CLAMP, FUEL PUMP WIRE	-	1	5DR
56	09250-30010	CAP, ABS WIRE HOLE	1	1	N/ABS
57	36990-85C00	CLAMP, REAR LAMP HARNESS	2	2	3DR
58	36990-85C00	CLAMP, HARNESS	1	1	
59-1	36875-70E10	WIRE, ABS SENSOR	1	1	W/ABS:3DR
59-2	36875-70E00	WIRE, ABS SENSOR	-	1	W/ABS:5DR
60	36997-60A00	CLAMP, ABS WIRE	3	3	W/ABS
61	01550-06123	BOLT	3	3	W/ABS
62	36996-56B00	BRACKET, ABS WIRE CLAMP	1	1	W/ABS
63	36997-60A10	CLAMP, ABS WIRE	1	1	W/ABS
64	01517-08123	BOLT	1	1	W/ABS
65	09407-17401	CLAMP, ABS WIRE	1	1	W/ABS
66	51791-85C00	SCREW, WIRE CLAMP	1	1	W/ABS
67	09407-18403	CLAMP, ABS WIRE	1	1	W/ABS
68-1	36650-79E50	HARNESS, WIRING ENGINE	1	1	4 VALVE:MT
68-2	36650-73E60	HARNESS, WIRING ENGINE	1	1	2 VALVE:MT
68-3	36650-79E40	HARNESS, WIRING ENGINE	1	1	4 VALVE:AT
68-4	36650-86C80	HARNESS, WIRING ENGINE	1	1	1.9 T.DIESEL:N/ INMB:-VSEE
68-5	36650-86CB1	HARNESS, WIRING ENGINE	1	1	1.9 T.DIESEL:N/ INMB:VSEET
68-6	36650-86CC1	HARNESS, WIRING ENGINE	1	1	1.9 T.DIESEL:W/ INMOBILIZE

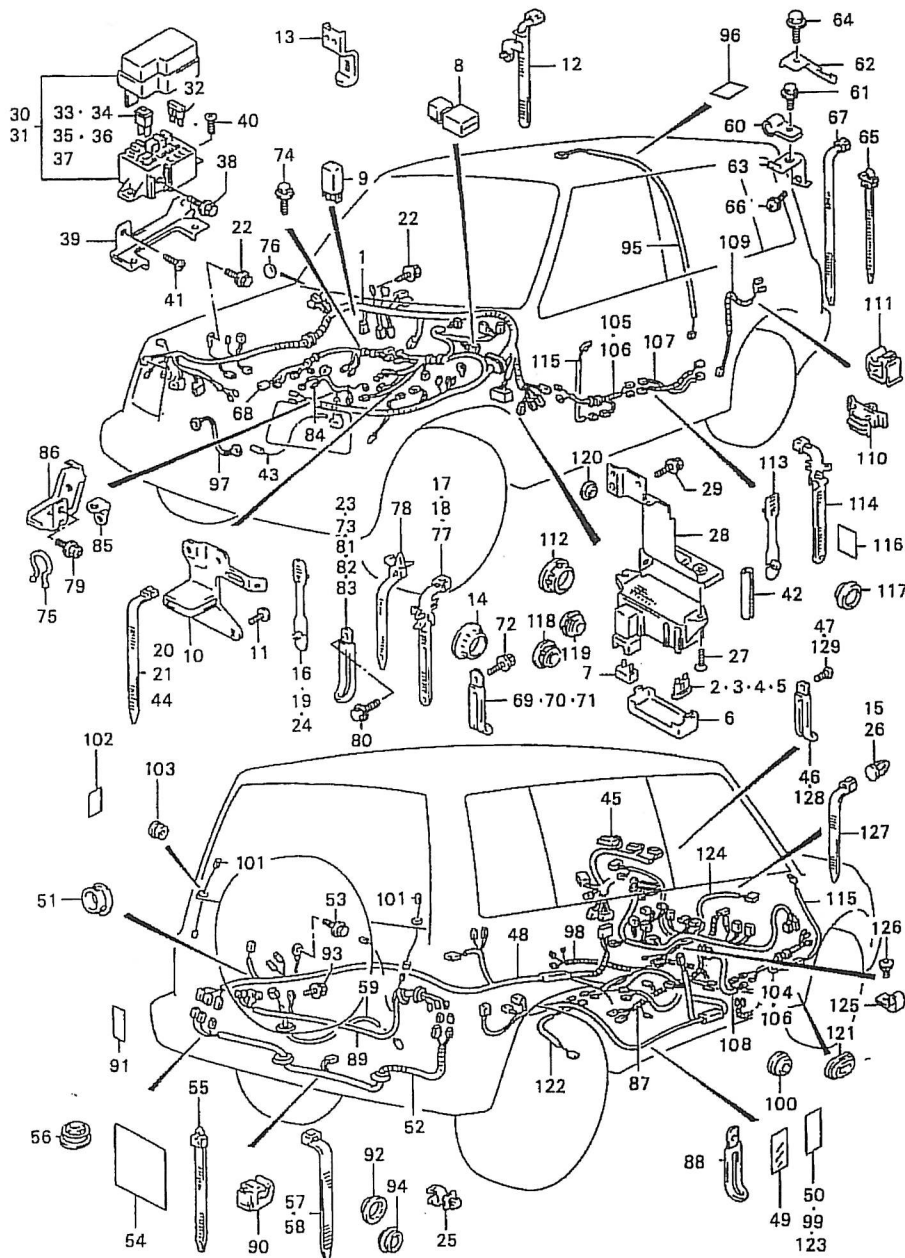
# FIG. 93

# FIG 93. WIRING HARNESS (LHD)



REF. NO.	PART NO.	DESCRIPTION	QTY		REMARKS
			C	V	
69-1	36990-85C20	CLAMP, OIL PUMP WIRE (L:80)	1	1	2 VALVE
69-2	09403A48A01	CLAMP, OIL PUMP WIRE (L:80)	3	3	MY97:4 VALVE
69-3	09404-06432	CLAMP, OIL PUMP WIRE (L:80)	3	3	MY98:4 VALVE
70-1	09404-06433	CLAMP, HARNESS (L:95)	1	1	4 VALVE:MT
70-2	36990-85C20	CLAMP, HARNESS (L:95)	1	1	4 VALVE:AT
71	36990-85C20	CLAMP	1	1	
72	01550-06123	BOLT, INJECTION HARNESS CLAMP	1	1	4 VALVE
73-1	36990-85C30	CLAMP, HARNESS	3	3	4 VALVE
73-2	36990-85C30	CLAMP, HARNESS	4	4	2 VALVE
74	01550-06123	BOLT, HARNESS GROUND	2	2	
75	09408-00024	CLAMP, STARTER WIRE	1	1	4 VALVE
76	09409-07320	CAP, DASH PANEL HOLE	2	2	2 VALVE
77	09407-12404	CLAMP, ENGINE HARNESS	1	1	4 VALVE
78	09407-12405	CLAMP, MISSION HARNESS	1	1	4 VALVE
79	01550-06123	BOLT, HARNESS BRACKET	1	1	2 VALVE
80	01550-06123	BOLT, HARNESS CLAMP	1	1	2 VALVE
81	09404-08420	CLAMP, HARNESS	1	1	2 VALVE
82	09404-06435	CLAMP, HARNESS	2	2	2 VALVE
83	09404-06429	CLAMP, HARNESS EGR	1	1	4 VALVE
84-1	36670-70E10	HARNESS, WIRING INJECTOR	1	1	MY97,4 VALVE
84-2	36670-70E20	HARNESS, WIRING INJECTOR	1	1	MY98,4 VALVE
85	36995-57B30	BRACKET, INJECTOR HARNESS	1	1	4 VALVE
86-1	36995-70E10	BRACKET, ENGINE HARNESS	1	1	2 VALVE
86-2	36995-70E20	BRACKET, ENGINE HARNESS	1	1	4 VALVE
87-1	36660-61A00	HARNESS, WIRING MISSION	1	1	MT
87-2	36660-70E00	HARNESS, WIRING MISSION	1	1	AT
88-1	36990-85C30	CLAMP, HARNESS	4	4	MT
88-2	36990-85C30	CLAMP, HARNESS	2	2	AT
89	36845-62A11	WIRE, BACK DOOR	-	1	
90	36667-60A00	CLAMP, BACK DOOR WIRE	-	5	
91	36930-85C00	COVER, BACK DOOR WIRE	-	1	JX:3DR
92	09308-28001	PROTECTOR, BACK DOOR WIRE	-	2	
93	09139-05028	SCREW, WIRE GROUND	-	1	
94	09250-25007	CAP, WIRE HOLE	2	-	
95-1	36820B60A30	WIRE, ROOM LAMP	1	-	3DR
95-2	36820B60A30	WIRE, ROOM LAMP	-	1	3DR
95-3	36820-56B00	WIRE, ROOM LAMP	-	1	5DR,N/SUN ROOF
95-4	36820-70E00	WIRE, ROOM LAMP	-	1	5DR,W/SUN ROOF
96	36930-85C00	COVER, ROOM LAMP WIRE	-	3	
97	39312-82012	WIRE, HORN GROUND	1	1	
98	36823-70E70	WIRE, BELT/PARKING SWITCH	1	1	3DR

# FIG. 93

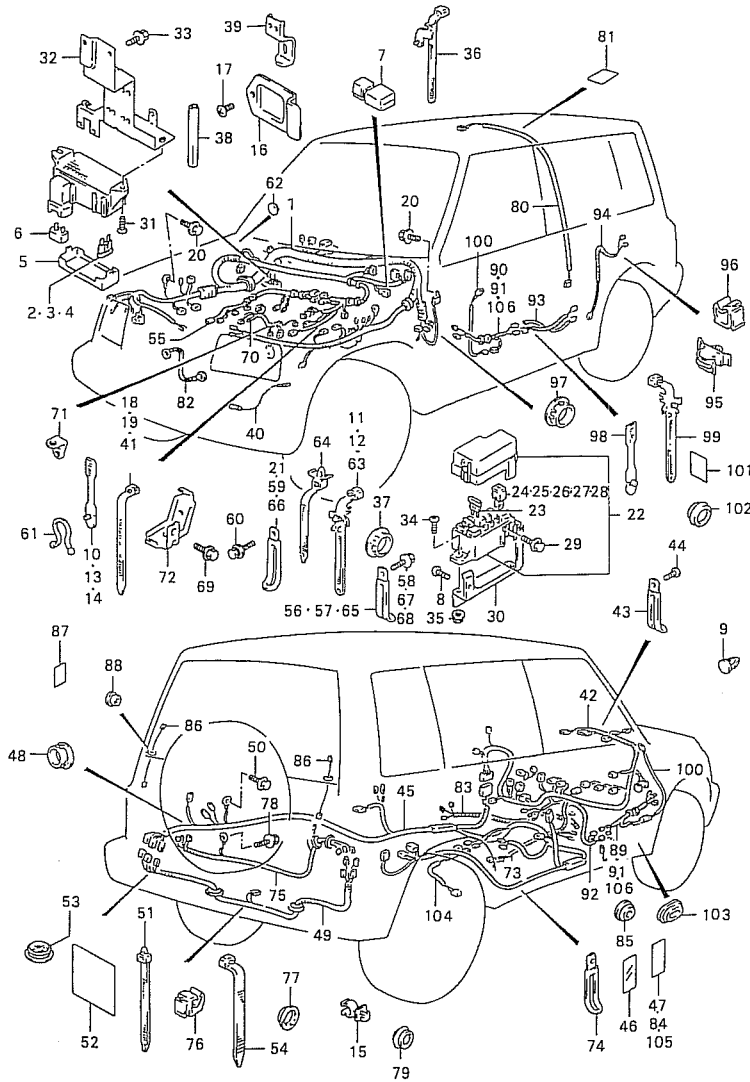


## FIG 93. WIRING HARNESS (LHD)

REF. NO.	PART NO.	DESCRIPTION	Q' TY		REMARKS
			C	V	
99	36930-85C00	COVER, SWITCH WIRE	5	5	3DR
100	36995-60A10	GROMMET, SIDE SILL	2	2	3DR
101	36890-82000	WIRE, REAR DEFOGGER	-	2	
102	36930-85C00	COVER, DEFOGGER WIRE	-	1	
103	09308-03005	GROMMET, DEFOGGER WIRE	-	2	
104	36756-70E00	WIRE, POWER WINDOW/MIRROR RH	1	1	W/POWER WINDOW:3DR
105	36756-70E20	WIRE, POWER WINDOW/MIRROR LH	1	1	W/POWER WINDOW:3DR
106	36756-62A00	WIRE, POWER WINDOW/MIRROR	-	2	W/POWER WINDOW:5DR
107-	36757-70E00	WIRE, SOLENOID & SWITCH	1	1	W/POWER WINDOW:3DR
107-	36757-62A00	WIRE, SOLENOID & SWITCH	-	1	W/POWER WINDOW:5DR
108-	36757-70E20	WIRE, SOLENOID	1	1	W/POWER WINDOW:3DR
108-	36757-62A10	WIRE, SOLENOID	-	1	W/POWER WINDOW:5DR
109	36756-62A20	WIRE, REAR DOOR	-	2	W/POWER WINDOW:5DR
110	34935-56B00	CLAMP, REAR DOOR WIRE	-	2	W/POWER WINDOW:5DR
111	36667-60A00	CLAMP, REAR DOOR WIRE	-	2	W/POWER WINDOW:5DR
112	09308-40001	PROTECTOR, WIRE	2	2	W/POWER WINDOW
113-	09407-05403	CLAMP, POWER WINDOW WIRE	10	10	W/POWER WINDOW:3DR
113-	09407-05403	CLAMP, POWER WINDOW WIRE	-	18	W/POWER WINDOW:5DR
114	09407-12404	CLAMP, CONTROLLER WIRE	1	1	W/POWER WINDOW
115	36753-60A00	WIRE, MIRROR MOTOR	2	2	W/REMO-CON MIRROR
116	36757-82100	FILM, WIRE HOLE DOOR	2	2	N/REMO-CON MIRROR
117	09250-25008	CAP, WIRE HOLE BODY	2	2	3DR:N/REMO-CON MIRROR
118	09250-20014	CAP, WIRE HOLE	-	4	5DR:N/POWER WINDOW
119	36757-56B00	CAP, WIRE HOLE FRONT	-	2	5DR:N/REMOCON MIRROR
120	36757-56B10	CAP, WIRE CLAMP HOLE	-	2	5DR:N/POWER WINDOW
121	09250-20017	CAP, REAR WASHER HOSE	1	-	
122	36880-60A60	WIRE, SHIFT ILLUM	1	1	AT
123	36930-85C00	COVER, SHIFT ILLUM WIRE	1	1	AT
124	36690-77E00	HARNESS ASSY, AIR BAG	1	1	W/AIR BAG
125	09403-14204	CLAMP, HARNESS	2	2	W/AIR BAG
126	09137-06022	SCREW (6X20)	2	2	W/AIR BAG
127	36990-85C10	CLAMP, HARNESS	1	1	W/AIR BAG
128	09404-06429	CLAMP, HARNESS	1	1	W/AIR BAG,W/AIR CON
129	03541-05103	SCREW, CLAMP	1	1	W/AIR BAG,W/AIR CON

# FIG. 94

# FIG 94. WIRING HARNESS (RHD)

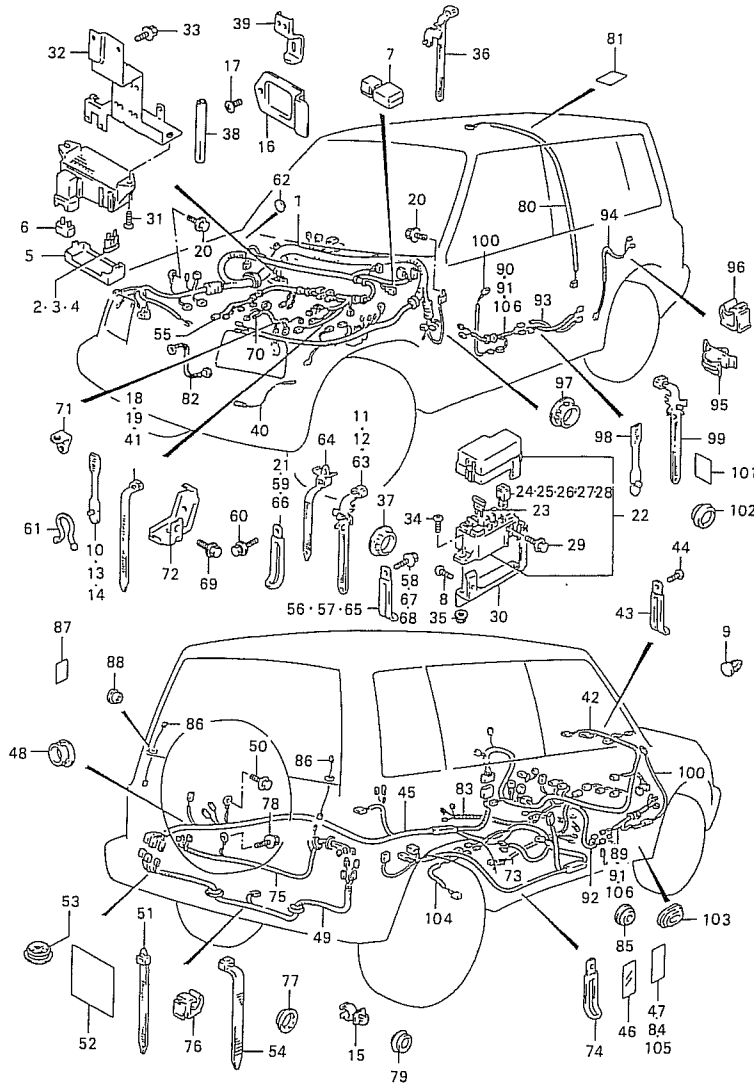


REF. NO.	PART NO.	DESCRIPTION	Q' TY		REMARKS
			C	V	
27-1	09481-60301	FUSE (60A)	1	1	2 VALVE
27-2	09481-60202	FUSE (60A)	1	1	4 VALVE
28	09481-80301	FUSE (80A)	1	1	4 VALVE
29	09138-06040	BOLT, SLOW BLOW FUSE	2	2	
30-1	36737-60A00	BRACKET, MAIN FUSE	1	1	2 VALVE
30-2	36737-70E10	BRACKET, MAIN FUSE	1	1	4 VALVE
31	02142-05123	SCREW, FUSE BOX	2	2	
32	36735-77E13	BRACKET, FUSE BOX	1	1	
33	01550-06123	BOLT, FUSE BOX BRACKET	2	2	
34	01550-06123	SCREW, MAIN FUSE BOX	2	2	4 VALVE
35	08316-20063	NUT, MAIN FUSE BOX BRACKET	2	2	4 VALVE
36	36990-56B00	CLAMP, HARNESS DASH PANEL	5	5	
37	09308-25002	PROTECTOR, SIDE LAMP WIRE	2	2	
38	75958-77E00	PROTECTOR, FUSE BOX BRACKET	1	1	
39	36996-85C00	PROTECTOR, MAIN HARNESS	1	1	
40	36955-60A00	WIRE, POWER STEERING	1	1	W/POWER STEERING
41	36990-85C10	CLAMP, POWER STEERING WIRE	2	2	W/POWER STEERING
42-1	36620-77EP1	HARNESS, INSTRUMENT PANEL	1	1	MY97,
42-2	36620-85FP0	HARNESS, INSTRUMENT PANEL	1	1	MY98,
43-1	09404-06427	CLAMP, HARNESS (L:95)	9	9	
43-2	09403A48401	CLAMP, HARNESS (L:80)	4	4	MY97
43-3	09404-06432	CLAMP, HARNESS (L:80)	4	4	MY98
44	03541-05123	SCREW, CLAMP (L:12)	15	15	
45-1	36630-71E60	HARNESS, WIRING FLOOR	1	1	MY97:3DR C,V; MY98:3DR:C
45-2	36630-77E20	HARNESS, WIRING FLOOR	-	1	MY97,5DR:JLX
45-3	36630-77EN0	HARNESS, WIRING FLOOR	-	1	MY98,3DR:V
45-4	36630-85FA0	HARNESS, WIRING FLOOR	-	1	MY98:5DR
46	36930-85C00	COVER, FLOOR HARNESS	-	4	5DR
47-1	36930-85C00	COVER, FLOOR HARNESS	3	3	3DR
47-2	36930-85C00	COVER, FLOOR HARNESS	-	6	5DR
48-1	09308-42001	PROTECTOR, FLOOR HARNESS	1	1	3DR
48-2	09308-42001	PROTECTOR, FLOOR HARNESS	-	2	5DR
49-1	36640-57B31	HARNESS, WIRING REAR LAMP	1	1	3DR
49-2	36640-77E20	HARNESS, WIRING REAR LAMP	-	1	5DR
50	09129-06002	SCREW, HARNESS GROUND	1	1	
51-1	09407-11402	CLAMP, HARNESS	3	3	3DR
51-2	09407-11402	CLAMP, HARNESS	-	2	5DR
52	36930-70E10	COVER, HARNESS	1	1	
53	09250-30010	CAP, ABS WIRE HOLE	1	1	
54	36990-85C00	CLAMP, REAR LAMP HARNESS	2	2	3DR



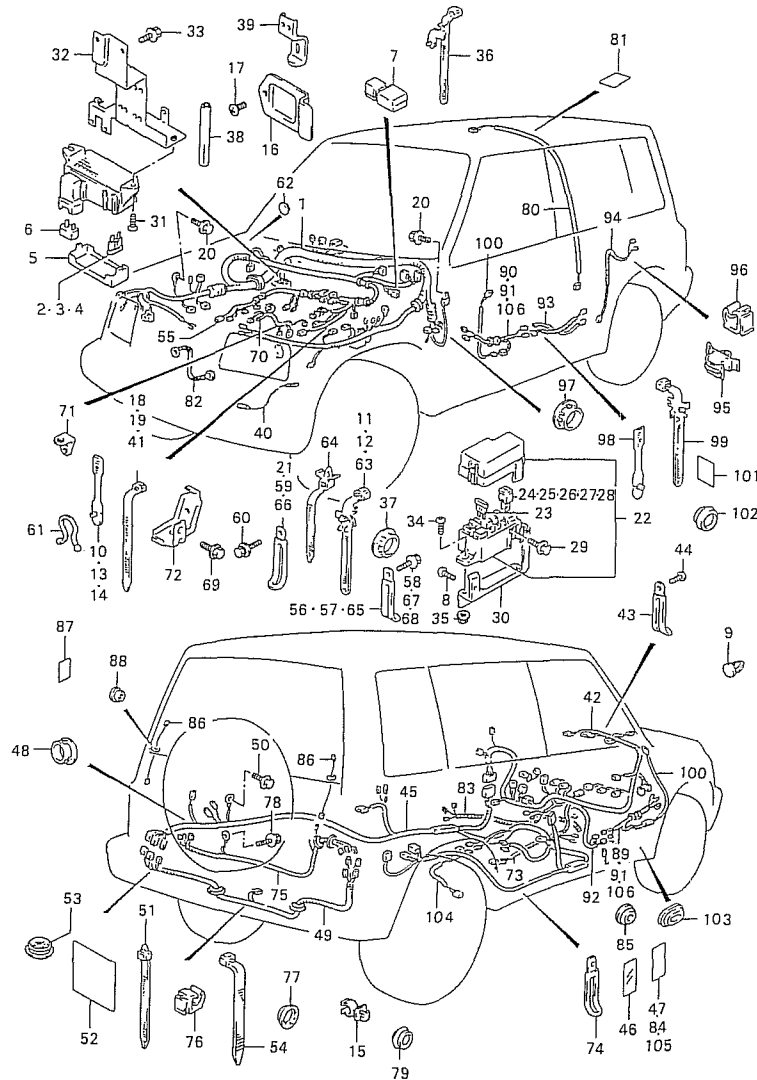
# FIG. 94

# FIG 94. WIRING HARNESS (RHD)



REF. NO.	PART NO.	DESCRIPTION	Q' TY		REMARKS
			C	V	
1-1	36601-85C21	HARNES, WIRING MAIN	1	1	MY97:MT:2 VALVE
1-2	36601-74E10	HARNES, WIRING MAIN	1	1	MY97:MT:4 VALVE
1-3	36601-74E30	HARNES, WIRING MAIN	1	1	MY97:AT:4 VALVE
1-4	36910-85C60	HARNES, WIRING MAIN	1	1	MY98:MT:2 VALVE
1-5	36910-74E40	HARNES, WIRING MAIN	1	1	MY98:MT:4 VALVE
1-6	36910-74E50	HARNES, WIRING MAIN	1	1	MY98:AT
2	35156-00000	.FUSE (15A)	AR	AR	
3	35157-00000	.FUSE (20A)	2	2	
4	09481-25103	.FUSE (25A)	1	1	
5-1	36717-60A30	.COVER, FUSE BOX	1	1	2 VALVE
5-2	36717-77E01	.COVER, FUSE BOX	1	1	4 VALVE
6	36795-82000	.BRAKER, POWER WINDOW	1	1	
7	33553-52E00-R	.FILTER, NOISE SUPPRESSOR	1	1	
8-1	01550-06123	SCREW, MAIN FUSE BRACKET	2	2	2 VALVE
8-2	01550-06123	SCREW, MAIN FUSE BRACKET	1	1	4 VALVE
9	09409-07320	CAP, DASH PANEL HOLE	1	1	4 VALVE
10	09407-05403	CLAMP, WASHER HOSE	1	1	
11-1	09407-12404	CLAMP, HARNES SIDE (L:140)	12	12	
11-2	09407-12404	CLAMP, HARNES COWL TOP	8	8	(L:140)
11-3	09407-12404	CLAMP, DOOR CONTROLLER WIRE	1	1	(L:140)
12	09407-12404	CLAMP, FAN SWITCH WIRE	1	1	
13	09407-05403	CLAMP, HORN WIRE	1	1	
14	09407-05403	CLAMP, AIR CLEANER WIRE	1	1	4 VALVE
15	09407-17401	CLAMP, HARNES PEDAL HUNGER	1	1	
16	36614-70E10	BRACKET, MAIN HARNES	1	1	
17	01550-06123	BOLT, BRACKET	2	2	
18-1	36990-85C00	CLAMP, HARNES & CABLE	1	1	2 VALVE
18-2	09407-18403	CLAMP, HARNES & CABLE	1	1	4 VALVE
19	36990-85C00	CLAMP, IGNITION SWITCH WIRE	1	1	
20	09115-06001	BOLT, HARNES GROUND	4	4	
21-1	09404-06433	CLAMP, HARNES (L:95)	1	1	2 VALVE
21-2	09404-08420	CLAMP, HARNES (L:137)	1	1	4 VALVE
22-1	36730-60A20	BOX ASSY, MAIN FUSE	1	1	3DR:2 VALVE
22-2	36740-77E10	BOX ASSY, MAIN FUSE	1	1	3DR:4 VALVE
22-3	36740-77E00	BOX ASSY, MAIN FUEL1	-	1	5DR
23	35156-00000	FUSE (15A)	3	3	4 VALVE
24	09481-30203	FUSE (30A)	1	1	
25-1	09481-40201	FUSE (40A)	1	1	MY97, 2 VALVE
25-2	09481-40203	FUSE (40A)	1	1	MY98, 2 VALVE
26-1	09481-50201	FUSE (50A)	1	1	MY97,
26-2	09481-50203	FUSE (50A)	1	1	MY98,

# FIG. 94

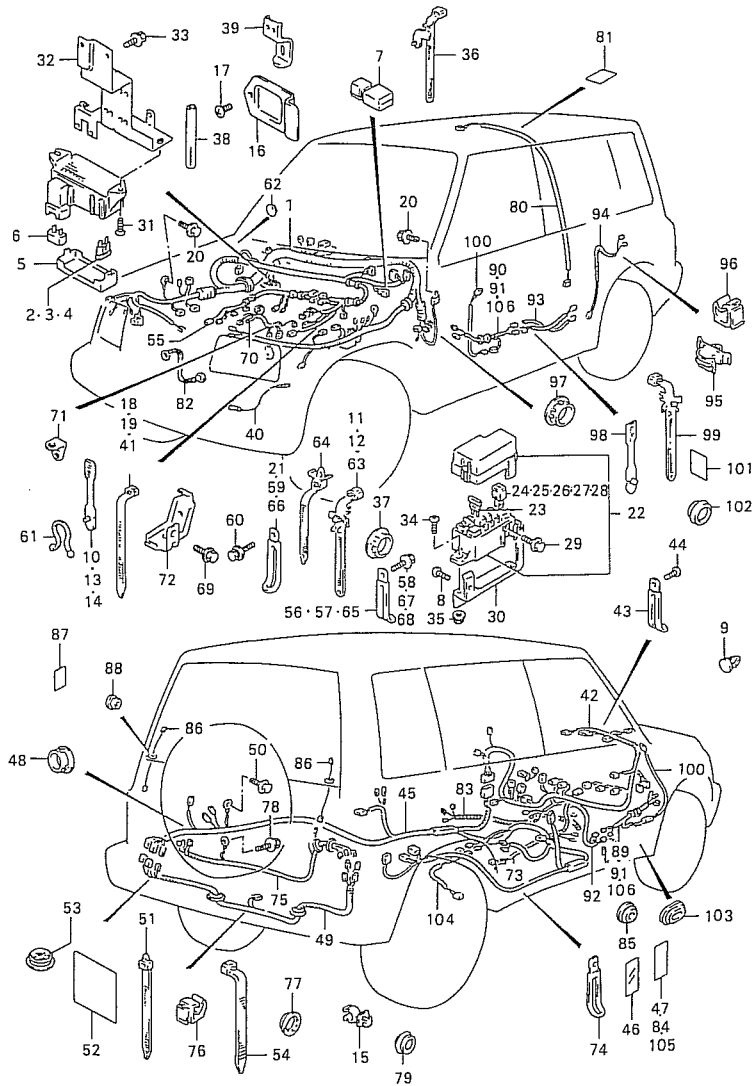


# FIG 94. WIRING HARNESS (RHD)

REF. NO.	PART NO.	DESCRIPTION	Q	TY	V	REMARKS
55-1	36650-73E50	HARNESS, WIRING ENGINE	1	1		2 VALVE
55-2	36650-79E30	HARNESS, WIRING ENGINE	1	1		MY97,4 VALVE:MT
55-3	36650-85C30	HARNESS, WIRING ENGINE	1	1		MY98,4 VALVE:MT
55-4	36650-79E20	HARNESS, WIRING ENGINE	1	1		MY97,4 VALVE:AT
55-5	36650-85C20	HARNESS, WIRING ENGINE	1	1		MY98,4 VALVE:AT
56-1	36990-85C20	CLAMP, ENGINE HARNESS (L:80)	1	1		2 VALVE
56-2	09403A48401	CLAMP, ENGINE HARNESS (L:80)	1	1		MY97:4 VALVE
56-3	09404-06432	CLAMP, ENGINE HARNESS (L:80)	1	1		MY98:4 VALVE
56-4	36990-85C20	CLAMP, OIL PUMP WIRE (L:80)	1	1		2 VALVE
56-5	09403A48401	CLAMP, OIL PUMP WIRE (L:80)	3	3		MY97:4 VALVE
56-6	09404-06432	CLAMP, OIL PUMP WIRE (L:80)	3	3		MY98:4 VALVE
57-1	36990-85C20	CLAMP, INJECTOR HARNESS (L:95)	1	1		4 VALVE:AT
57-2	09404-06433	CLAMP, INJECTOR HARNESS (L:95)	1	1		4 VALVE:MT
58-1	01550-06123	BOLT, CLAMP	1	1		2 VALVE
58-2	01550-06123	BOLT, CLAMP	1	1		4 VALVE
59-1	36990-85C30	CLAMP, HARNESS	4	4		2 VALVE
59-2	36990-85C30	CLAMP, HARNESS	3	3		4 VALVE
60-1	01550-06123	BOLT, HARNESS GROUND	2	2		2 VALVE
60-2	01550-06123	BOLT, HARNESS GROUND	1	1		4 VALVE
61	09408-00024	CLAMP, STARTER WIRE	1	1		
62-1	09409-07320	CAP, DASH PANEL HOLE	2	2		2 VALVE
62-2	09409-07320	CAP, DASH PANEL HOLE	1	1		4 VALVE
63	09407-12404	CLAMP, ENGINE HARNESS	1	1		
64	09407-12405	CLAMP, MISSION HARNESS	1	1		4 VALVE
65	36990-85C20	CLAMP, DIS WIRE	1	1		4 VALVE
66	09404-06429	CLAMP, HARNESS EGR	1	1		4 VALVE
67	01550-06123	BOLT, DASH CLAMP	1	1		4 VALVE
68	01550-06123	BOLT, INJECTOR HARNESS CLAMP	1	1		4 VALVE
69	01550-06123	BOLT, HARNESS BRACKET	1	1		2 VALVE
70	36670-70E20	HARNESS, WIRING INJECTOR	1	1		4 VALVE
71	36995-57B30	BRACKET, INJECTOR HARNESS	1	1		4 VALVE
72-1	36995-70E10	BRACKET, ENGINE HARNESS	1	1		2 VALVE
72-2	36995-70E20	BRACKET, ENGINE HARNESS	1	1		4 VALVE
73-1	36660-61A00	HARNESS, WIRING MISSION	1	1		MT
73-2	36660-70E40	HARNESS, WIRING MISSION	1	1		AT
74-1	36990-85C30	CLAMP, HARNESS	4	4		MT
74-2	36990-85C30	CLAMP, HARNESS	2	2		AT
75	36845-62A11	WIRE, BACK DOOR	-	1		
76	36667-60A00	CLAMP, BACK DOOR WIRE	-	5		
77	09308-28001	PROTECTOR, BACK DOOR WIRE	-	2		
78	09139-05028	SCREW, WIRE GROUND	-	1		

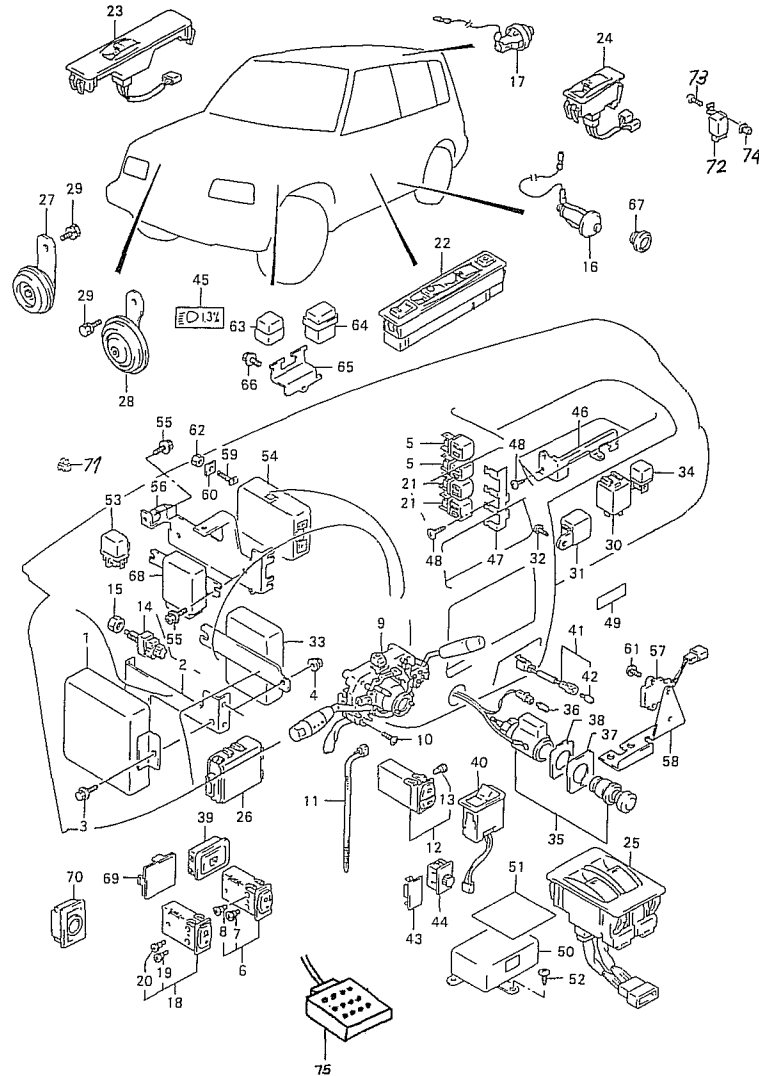
# FIG. 94

# FIG 94. WIRING HARNESS (RHD)



REF. NO.	PART NO.	DESCRIPTION	Q' TY		REMARKS
			C	V	
79	09250-25007	CAP, WIRE HOLE	2	-	
80-1	36820B60A30	WIRE, ROOM LAMP	1	-	3DR
80-2	36820B60A30	WIRE, ROOM LAMP	-	-	3DR
80-3	36820-70E00	WIRE, ROOM LAMP	-	1	5DR,W/SUN ROOF
81	36930-85C00	COVER, ROOM LAMP WIRE	-	3	
82	39312-82012	WIRE, HORN GROUND	1	1	
83	36823-70E70	WIRE, BELT/PARKING SWITCH	1	1	3DR
84	36930-85C00	COVER, SWITCH WIRE	5	5	3DR
85	36995-60A10	GROMMET, SIDE SILL	2	2	3DR
86	36890-82000	WIRE, REAR DEFOGGER	-	2	
87	36930-85C00	COVER, DEFOGGER WIRE	-	1	
88	09308-03005	GROMMET, DEFOGGER WIRE	-	2	
89	36756-70E00	WIRE, POWER WINDOW/MIRROR,RH	1	1	W/POWER WINDOW:3DR
90	36756-70E20	WIRE, POWER WINDOW/MIRROR,LH	1	1	W/POWER WINDOW:3DR
91	36756-62A00	WIRE, POWER WINDOW/MIRROR	-	2	W/POWER WINDOW:5DR
92-1	36757-70E00	WIRE, SOLENOID & SWITCH	1	1	W/POWER WINDOW:3DR
92-2	36757-62A00	WIRE, SOLENOID & SWITCH	-	1	W/POWER WINDOW:5DR
93-1	36757-70E20	WIRE, SOLENOID	1	1	W/POWER WINDOW:3DR
93-2	36757-62A10	WIRE, SOLENOID	-	1	W/POWER WINDOW:5DR
94	36756-62A20	WIRE, REAR DOOR	-	2	W/POWER WINDOW:5DR
95	34935-56B00	CLAMP, REAR DOOR WIRE	-	2	W/POWER WINDOW:5DR
96	36667-60A00	CLAMP, REAR DOOR WIRE	-	2	W/POWER WINDOW:5DR
97	09308-40001	PROTECTOR, WIRE	2	2	
98-1	09407-05403	CLAMP, POWER WINDOW WIRE	10	10	W/POWER WINDOW:3DR
98-2	09407-05403	CLAMP, POWER WINDOW WIRE	-	18	W/POWER WINDOW:5DR
99	09407-12404	CLAMP, CONTROLLER WIRE	1	1	W/POWER WINDOW
100	36753-60A00	WIRE, MIRROR MOTOR	2	2	W/REMO-CON MIRROR
101	36757-82100	FILM, WIRE HOLE DOOR	2	2	N/REMO-CON MIRROR
102	09250-25008	CAP, WIRE HOLE BODY	2	2	3DR:N/REMO-CON MIRROR
103	09250-20017	CAP, REAR WASHER HOSE	1	-	
104	36880-60A60	WIRE, SHIFT ILLUM 1	1	AT	
105	36930-85C00	COVER, SHIFT ILLUM WIRE	1	1	AT
106	36755-70E00	WIRE, MIRROR DOOR 2	2	3DR,N/POWER WINDOW	

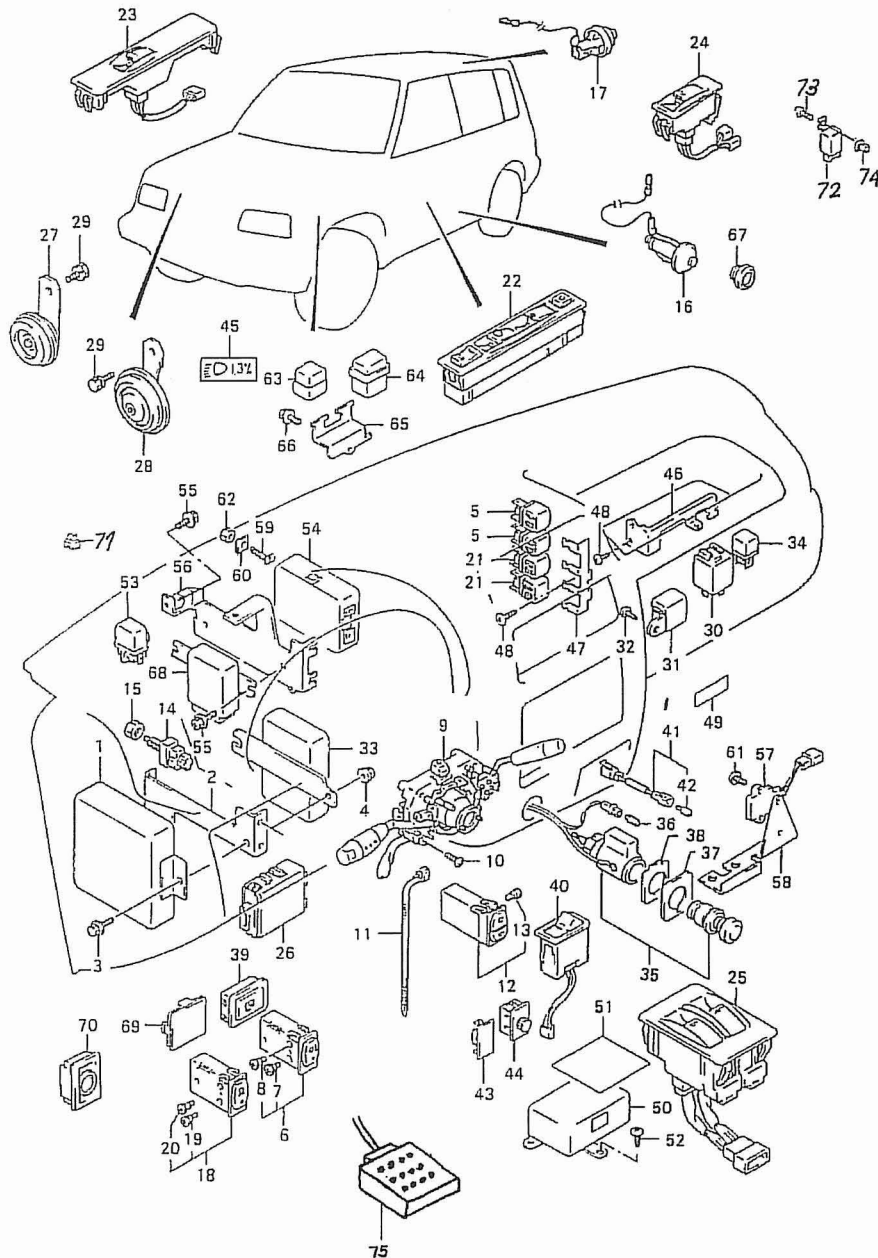
# FIG. 95



# FIG 95. ELECTRICAL CONTROL (LHD)

REF. NO.	PART NO.	DESCRIPTION	QTY		REMARKS
			C	V	
1-1	33920-70E10	CONTROLLER, FUEL INJECTION	1	1	2 VALVE
1-2	33920-71EE0	CONTROLLER, FUEL INJECTION	1	1	4 VALVE:MT
1-3	33920-71EM0	CONTROLLER, FUEL INJECTION	1	1	MY98:4 VALVE:AT
2	33924-77E10	BRACKET, EPI CONTROLLER	1	1	
3-1	01550-06123	BOLT	3	3	W/CARBURETOR
3-2	01550-06123	BOLT	5	5	W/FUEL INJECTION
4	08316-20063	NUT	2	2	W/FUEL INJECTION
5	38850-50F50	RELAY, FUEL	2	2	W/FUEL INJECTION
6-1	37280-70F00	SWITCH ASSY, RR FOG LAMP	1	1	MY97,
6-2	37280-60G00	SWITCH ASSY, RR FOG LAMP	1	1	MY98,
7	37399-60E10	.BULB (GREEN)	1	1	
8	09471-12135	.BULB	1	1	MY97
9-1	37400-77E40	SWITCH ASSY, COMBINATION	1	1	MY97:N/AIR BAG
9-2	37400-77E50	SWITCH ASSY, COMBINATION	1	1	MY97:W/AIR BAG
9-3	37400-77EJ0	SWITCH ASSY, COMBINATION	1	-	MY98:N/AIR BAG
9-4	37400-77EK0	SWITCH ASSY, COMBINATION	1	-	MY98:W/AIR BAG
9-5	37400-77EE1	SWITCH ASSY, COMBINATION	-	1	MY98:N/AIR BAG
9-6	37400-77EF1	SWITCH ASSY, COMBINATION	-	1	MY98:W/AIR BAG
10	02112-05126	SCREW	3	3	
11	36990-85C00	CLAMP (L:235)	1	1	
12	37370-50G00	SWITCH, RR WIPER & WASHER	-	1	MY97
13	37399-60E10	.BULB	-	2	MY97
14	37740-60D01	SWITCH, STOP LAMP	1	1	
15	09140-10043	NUT	1	1	
16-1	37670-61A00	SWITCH ASSY, DOOR	2	2	3DR
16-2	37670-61A00	SWITCH ASSY, DOOR	-	4	5DR
17	37670-61A00	SWITCH ASSY, BACK DOOR	-	1	5DR
18	37860-70F00	SWITCH ASSY, REAR DEFOGGER	-	1	
19	09471-12135	.BULB (CLEAR)	-	1	
20	37399-60E10	.BULB (GREEN)	-	1	
21	38850-50F50	RELAY, HEADLAMP & SIDE LAMP	2	2	
22-1	37990-56B61-H2H	SWITCH, POWER WINDOW MASTER	1	1	MY97:W/POWER WINDOW
22-2	37990-56B61-H2J	SWITCH, POWER WINDOW MASTER	1	1	MY98:W/POWER WINDOW
23-1	37995-56B60-H2H	SWITCH, POWER WINDOW SUB	1	1	MY97:W/POWER WINDOW
23-2	37995-56B60-H2J	SWITCH, POWER WINDOW SUB	1	1	MY98:W/POWER WINDOW
24-1	37995-56B50-H2H	SWITCH, POWER WINDOW REAR	-	2	MY97:5DR:W/POWER WINDOW
24-2	37995-56B50-H2J	SWITCH, POWER WINDOW REAR	-	2	MY98:5DR:W/POWER WINDOW

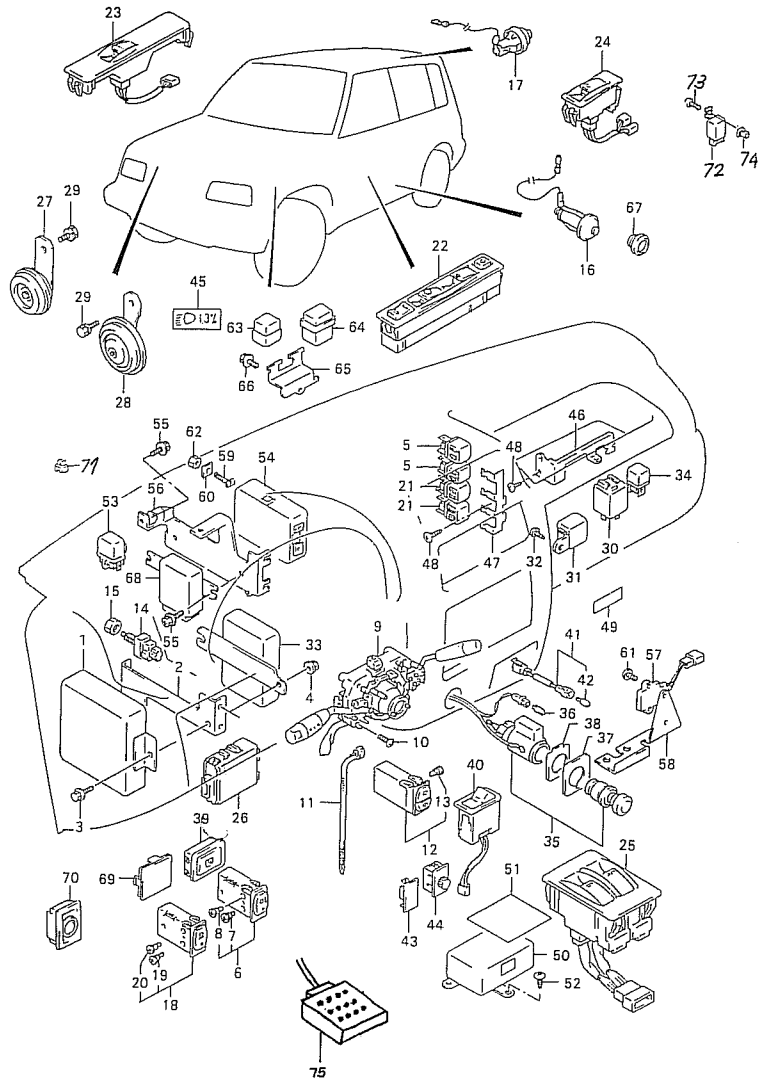
# FIG. 95



## FIG 95. ELECTRICAL CONTROL (LHD)

REF. NO.	PART NO.	DESCRIPTION	Q' TY		REMARKS
			C	V	
25-1	37993-56B50-H2H	SWITCH, POWER WINDOW CENTER	-	1	MY97:5DR:W/POWER WINDOW
25-2	37993-56B50-H2J	SWITCH, POWER WINDOW CENTER	-	1	MY98:5DR:W/POWER WINDOW
26-1	38700-77E10	CONTROLLER, POWER DOOR LOCK	1	1	3DR:W/POWER DOOR LOCK
26-2	38700-77E00	CONTROLLER, POWER DOOR LOCK	-	1	5DR:W/POWER DOOR LOCK
27	38500-85C00	HORN ASSY, HIGH PITCHED	1	1	JLX
28	38500-85C10	HORN ASSY, LOW PITCHED	1	1	
29-1	01570-08123	BOLT	1	1	JX
29-2	01570-08123	BOLT	2	2	JLX
30	38610-85C00	RELAY ASSY, TURN & 4 WAY	1	1	
31-1	38590-77E10	CONTROLLER, WARNING BUZZER	1	1	MY97
31-2	38590-85C00	CONTROLLER, WARNING BUZZER	1	1	MY98
32	03541-05163	SCREW	1	1	
33	38880-70E20	CONTROLLER ASSY, AT	1	1	MY97:AT
34	38850-50F50	RELAY ASSY, HORN	1	1	
35	39400-86820	LIGHTER ASSY, CIGARETTE	1	1	
36	00000A00085	.BULB	1	1	
37	39471-60A00	RIM, LIGHTER	1	1	
38	39472-82000	WASHER, LIGHTER	1	1	
39	37950-60E01	SWITCH ASSY, MIRROR	1	1	W/REMOCON MIRROR
40	37865-56B00	SWITCH ASSY, P/N CHANGE	1	1	AT
41	36550-85C00	LAMP ASSY, ASHTRAY ILLUM	1	1	
42	09471-12091	.BULB	1	1	
43	37285-60E00	CAP, OPTION SWITCH HOLE	AR	AR	
44	35180-60E00	SWITCH, HEADLAMP LEVELING	1	1	
45	35186-70A01	LABEL, HEADLAMP AIMING	1	1	
46	38851-77E00	BRACKET, RELAY	1	1	
47	38851-77E10	BRACKET, RELAY	1	1	
48	03541-05123	SCREW	4	4	
49	36930-85C00	COVER	1	1	
50	38910-70E40	CONTROLLER ASSY, AIR BAG	1	1	W/AIR BAG
51	38912-77E00	COVER, CONTROLLER	1	1	W/AIR BAG
52	09129-06006	SCREW	3	3	W/AIR BAG
54	33940-70E10	CONTROLLER ASSY, ABS	1	1	W/ABS
55	01550-06123	BOLT	4	4	
56-1	33946-70E11	BRACKET, CONTROLLER	1	1	
56-2	33924-86CA1	BRACKET, CONTROLLER INMOB.	1	1	1.9 T.DIESEL:W/ INMOBILIZE
57	33945-70E00	SENSOR ASSY, G	1	1	W/ABS

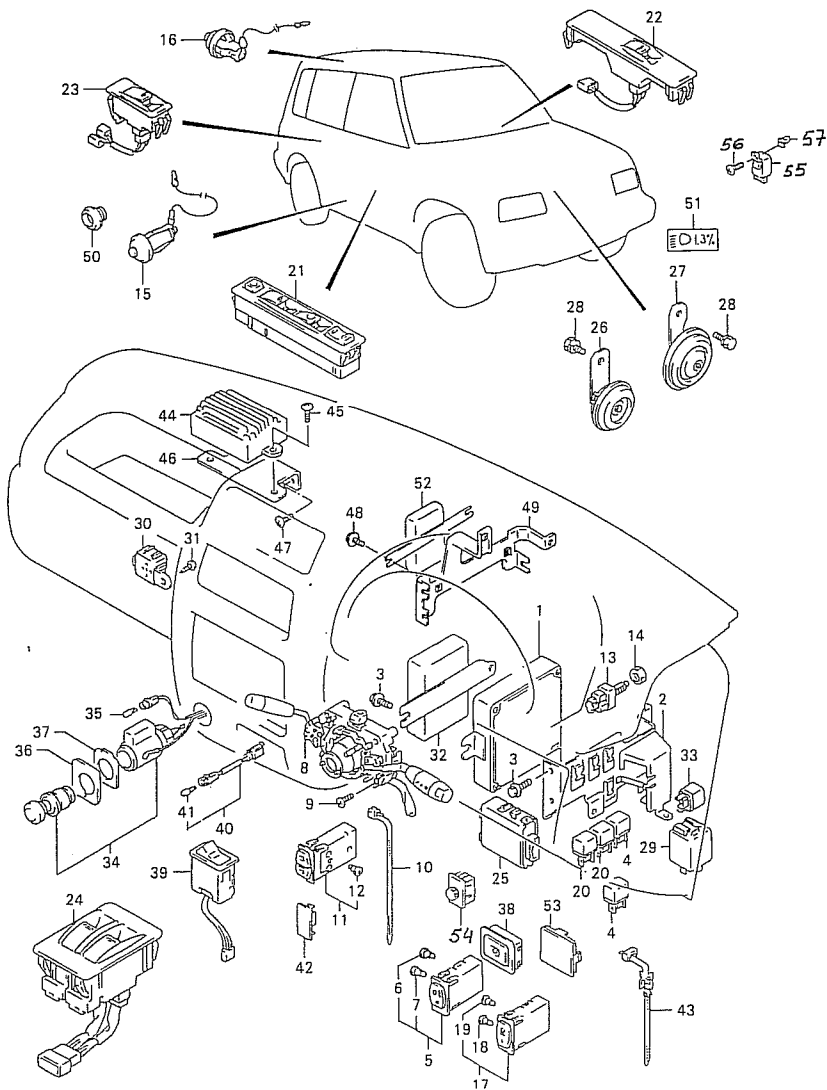
# FIG. 95



# FIG 95. ELECTRICAL CONTROL (LHD)

REF. NO.	PART NO.	DESCRIPTION	QTY		REMARKS
			C	V	
58	33946-70E00	BRACKET, G SENSOR	1	1	W/ABS
59	36886-50D00	BOLT, ABS CONTROLLER	3	3	W/ABS
60	38913-50D00	INSURATOR, ABS CONTROLLER	3	3	W/ABS
61	02112-04083	SCREW, G SENSOR	2	2	W/ABS
62	08316-10053	NUT	3	3	W/ABS
63	38860-50G20	RELAY ASSY, ABS	2	2	W/ABS
64	38863-70G00	COVER, ABS RELAY	2	2	W/ABS
65	33946-70E30	BRACKET, ABS RELAY	1	1	W/ABS
66	01550-06123	BOLT	1	1	W/ABS
67	09250-14008	CAP, DOOR SWITCH HOLE	-	1	3DR
68-1	33970-70E01	CONTROLLER, IMMOBILIZER	1	1	MY97:W/IMMOBILIZER
68-2	33970-70E02	CONTROLLER, IMMOBILIZER	1	1	MY98:W/IMMOBILIZER
68-3	33970-86CA0	CONTROLLER, IMMOBILIZER	1	1	1.9 T. DIESEL:W/IMMOBILIZ
69	37955-60E00	CAP, MIRROR SWITCH HOLE	1	1	N/REMOCON MIRROR
70	37285-77E00	CAP, CHOKE	1	1	3DR
71-1	33926-80710	RESISTOR, CO ADJUST (270 OHM)	-	1	MY98:4 VALVE,MARK:L3
71-2	33927-80710	RESISTOR, CO ADJUST (430 OHM)	-	1	MY98:4 VALVE,MARK:L2
71-3	33928-80710	RESISTOR, CO ADJUST (680 OHM)	-	1	MY98:4 VALVE,MARK:L1
71-4	33929-80710	RESISTOR, CO ADJUST (1K OHM)	-	1	MY98:4 VALVE,MARK:R1
71-5	33930-80710	RESISTOR, CO ADJUST	-	1	MY98:4 VALVE,MARK:R2 (1.5
71-6	33931-80710	RESISTOR, CO ADJUST	-	1	MY98:4 VALVE,MARK:R3 (2.2
72	38650-77E00	RELAY, REAR WIPER	-	1	MY98
73	03541-05163	SCREW	-	1	MY98
74	09148-05018	NUT	-	1	MY98
75	35346-86CA0	KEYBOARD, IMMOBILIZER	1	1	1.9 T.DIESEL

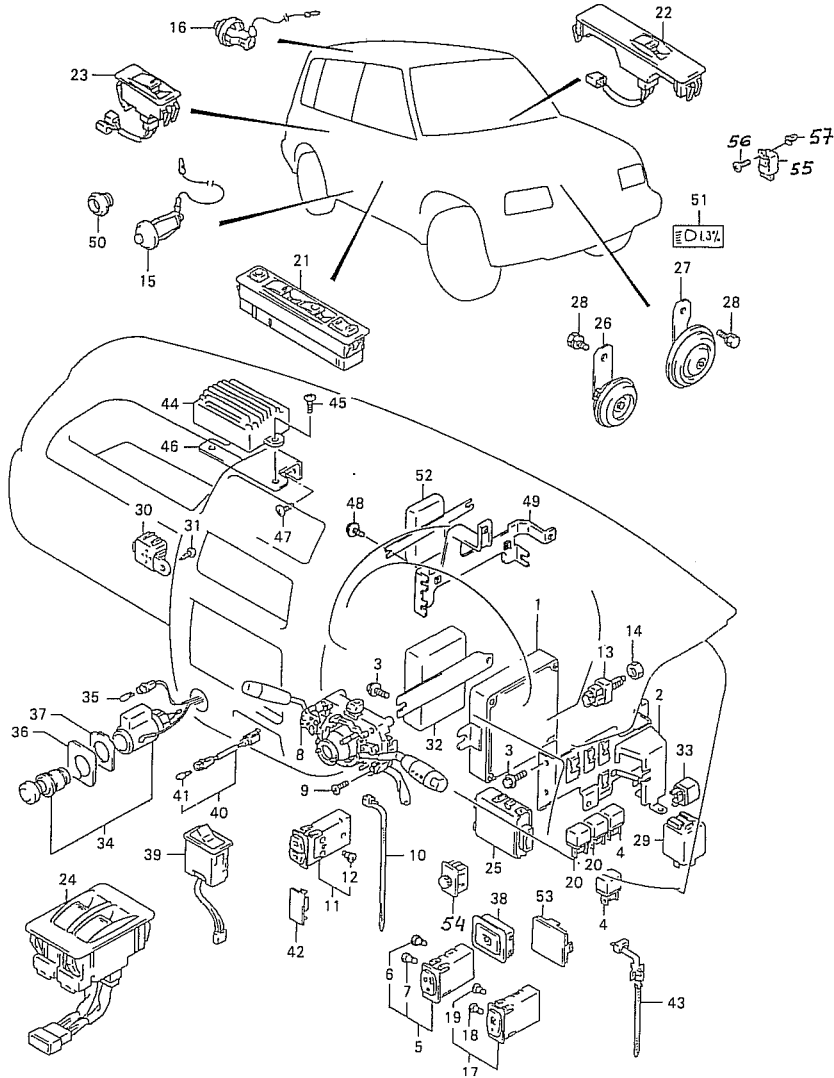
# FIG. 96



## FIG 96. ELECTRICAL CONTROL (RHD)

REF. NO.	PART NO.	DESCRIPTION	C	Q' TY	V	REMARKS
1-1	33920-70E10	CONTROLLER, FUEL INJECTION	1	1		2 VALVE
1-2	33920-71EE0	CONTROLLER, FUEL INJECTION	1	1		MY97:4 VALVE, MY98:4 VALV
1-3	33920-71EM0	CONTROLLER, FUEL INJECTION	1	1		MY98:4 VALVE:AT
2	33924-77E00	BRACKET, EPI CONTROL	1	1		
3	01550-06123	BOLT	5	5		
4	38850-50F50	RELAY, FUEL	2	2		
5-1	37280-70F00	SWITCH ASSY, RR FOG LAMP	1	1		MY97,
5-2	37280-60G00	SWITCH ASSY, RR FOG LAMP	1	1		MY98,
6	37399-60E10	.BULB (GREEN)	1	1		
7	09471-12135	.BULB	1	1		MY97
8-1	37400-77E00	SWITCH ASSY, COMBINATION	1	1		MY97
8-2	37400-77EG0	SWITCH ASSY, COMBINATION	1	-		MY98
8-3	37400-77EA1	SWITCH ASSY, COMBINATION	-	1		MY98
9	02112-05126	SCREW	3	3		
10	36990-85C00	CLAMP (L:235)	1	1		
11	37370-50G00	SWITCH, RR WIPER & WASHER	-	1		MY97
12	37399-60E10	.BULB	-	2		MY97
13	37740-60D01	SWITCH, STOP LAMP	1	1		
14	09140-10043	NUT	1	1		
15-1	37670-61A00	SWITCH ASSY, DOOR	2	2		3DR
15-2	37670-61A00	SWITCH ASSY, DOOR	-	4		5DR
16	37670-61A00	SWITCH ASSY, BACK DOOR	-	1		5DR
17	37860-70F00	SWITCH ASSY, REAR DEFOGGER	-	1		
18	09471-12135	.BULB (CLEAR)	-	1		
19	37399-60E10	.BULB (GREEN)	-	1		
20	38850-50F50	RELAY, HEADLAMP & SIDE LAMP	2	2		
21-1	37990-56B61-H2H	SWITCH, POWER WINDOW MASTER	1	1		MY97:W/POWER WINDOW
21-2	37990-56B61-H2J	SWITCH, POWER WINDOW MASTER	1	1		MY98:W/POWER WINDOW
22-1	37995-56B60-H2H	SWITCH, POWER WINDOW SUB	1	1		MY97:W/POWER WINDOW
22-2	37995-56B60-H2J	SWITCH, POWER WINDOW SUB	1	1		MY98:W/POWER WINDOW
23-1	37995-56B50-H2H	SWITCH, POWER WINDOW REAR	-	2		MY97:5DR:W/POWER WINDOW
23-2	37995-56B50-H2J	SWITCH, POWER WINDOW REAR	-	2		MY98:5DR:W/POWER WINDOW
24-1	37993-56B50-H2H	SWITCH, POWER WINDOW CENTER	-	1		MY97:5DR:W/POWER WINDOW
24-2	37993-56B50-H2J	SWITCH, POWER WINDOW CENTER	-	1		MY98:5DR:W/POWER WINDOW

# FIG. 96

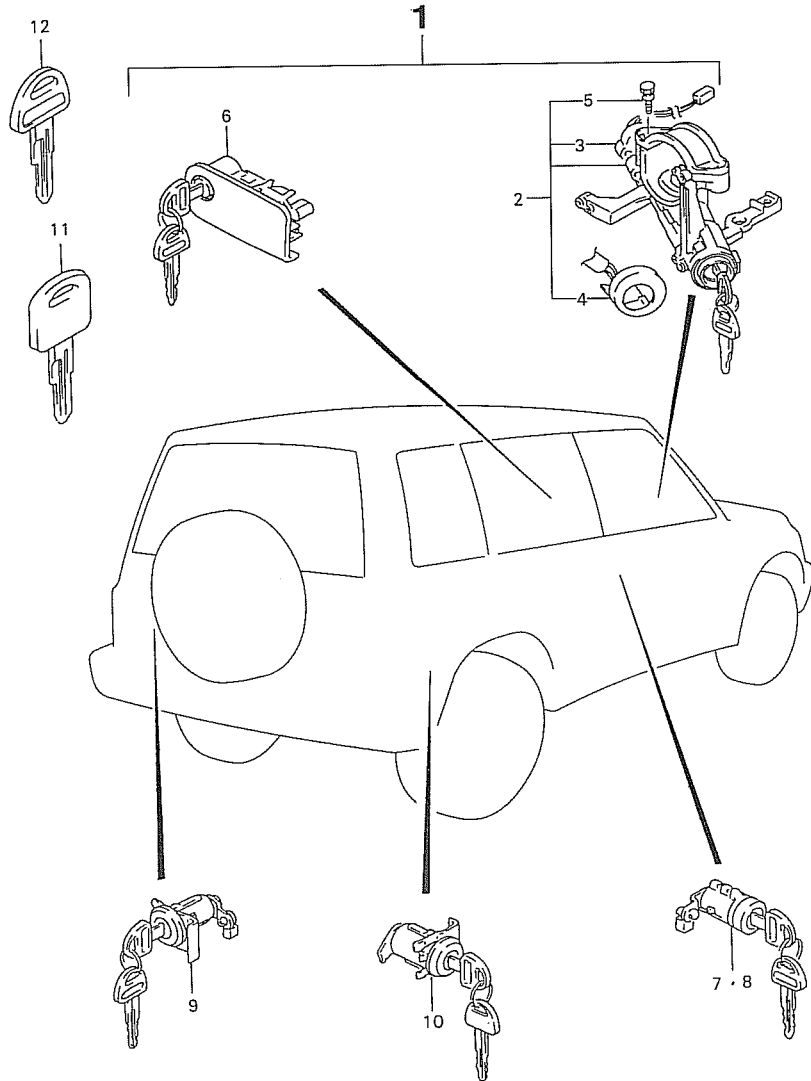


## FIG 96. ELECTRICAL CONTROL (RHD)

REF. NO.	PART NO.	DESCRIPTION	Q' TY		REMARKS
			C	V	
25-1	38700-77E10	CONTROLLER, POWER DOOR LOCK	1	1	3DR:W/POWER DOOR LOCK
25-2	38700-77E00	CONTROLLER, POWER DOOR LOCK	-	1	5DR:W/POWER DOOR LOCK
26	38500-85C00	HORN ASSY, HIGH PITCHED	1	1	JLX
27	38500-85C10	HORN ASSY, LOW PITCHED	1	1	
28-1	01570-08123	BOLT	1	1	JX
28-2	01570-08123	BOLT	2	2	JLX
29	38610-85C00	RELAY ASSY, TURN & 4 WAY	1	1	
30	38590-85C00	CONTROLLER, WARNING BUZZER	1	1	
31	03541-05163	SCREW	1	1	
32	38880-70E20	CONTROLLER ASSY, AT	1	1	MY97:AT
33	38850-50F50	RELAY ASSY, HORN	1	1	
34	39400-86820	LIGHTER ASSY, CIGARETTE	1	1	
35	00000A00085	.BULB	1	1	
36	39471-60A00	RIM, LIGHTER	1	1	
37	39472-82000	WASHER, LIGHTER	1	1	
38	37950-60E01	SWITCH ASSY, MIRROR	1	1	W/REMOCON MIRROR
39	37865-56B00	SWITCH ASSY, P/N CHANGE	1	1	AT
40	36550-85C00	LAMP ASSY, ASHTRAY ILLUM	1	1	-
41	09471-12091	.BULB	1	1	
42	37285-60E00	CAP, OPTION SWITCH HOLE	AR	AR	
43	09407-12404	CLAMP (L:140)	1	1	MY97
44	38660-80F00	CONTROLLER ASSY, DIM-DIP	1	1	MY97
45	02142-06163	SCREW	2	2	MY97
46	38661-77E00	BRACKET, DIM-DIP CONTROLLER	1	1	MY97
47	01550-06123	SCREW	2	2	MY97
48	01550-06123	BOLT	4	4	
49	33946-70E20	BRACKET, CONTROLLER	1	1	
50	09250-14008	CAP, DOOR SWITCH HOLE	-	1	3DR
51	35186-70A01	LABEL, HEADLAMP AIMING	1	1	
52-1	33970-70E01	CONTROLLER, IMMOBILIZER	1	1	MY97
52-2	33970-70E02	CONTROLLER, IMMOBILIZER	1	1	MY98
53	37955-60E00	CAP, MIRROR SWITCH HOLE	1	1	N/REMOCON MIRROR
54	35180-60E00	SWITCH, HEADLAMP LEVELING	1	1	MY98
55	38650-77E00	RELAY, REAR WIPER	-	1	MY98
56	03541-05163	SCREW	-	1	MY98
57	09148-05018	NUT	-	1	MY98



# FIG. 97

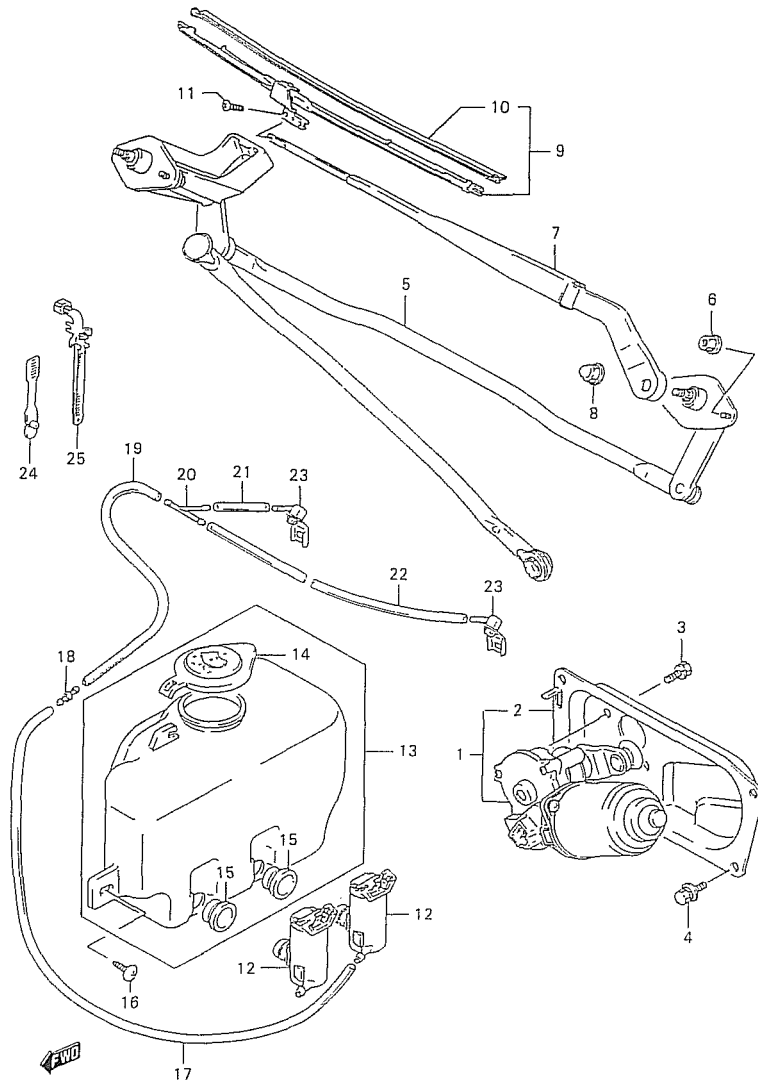


# FIG 97. LOCK SET

REF. NO.	PART NO.	DESCRIPTION	Q' TY		REMARKS
			C	V	
1-1	37105-77880-5ES	LOCK SET (BLACK)	1	-	MY97:W/INMOBILIZER
1-2	37105-77880-T01	LOCK SET (GRAY)	1	-	MY98:W/INMOBILIZER
1-3	37106-77820-5ES	LOCK SET (BLACK)	1	-	MY97:N/INMOBILIZER
1-4	37106-77820-T01	LOCK SET (GRAY)	1	-	MY98:N/INMOBILIZER
1-5	37106-77810-5ES	LOCK SET (BLACK)	-	1	MY97:JX:W/INMOBILIZER
1-6	37106-77810-T01	LOCK SET (GRAY)	-	1	MY98:W/INMOBILIZER
1-7	37106-77830-T01	LOCK SET (GRAY)	-	1	MY98:N/INMOBILIZER
1-8	37106-77830-5ES	LOCK SET (BLACK)	-	1	MY97:3DR:N/INMOBILIZER
1-9	37105-77890-5ES	LOCK SET (BLACK)	-	1	MY97:3DR:JLX;5DR:E02
2-1	37106-77840	.LOCK ASSY, STEERING	1	1	W/INMOBILIZER
2-2	37101-77850	.LOCK ASSY, STEERING	1	1	N/INMOBILIZER
3	37111-77E20	..SWITCH ASSY	1	1	
4	37120-77E00	..COIL ANTENNA, IMMOBILIZER	1	1	W/INMOBILIZER
5	37152-84100	..BOLT	2	2	
6	73430-77810-5ES	.LOCK ASSY, SIDE BOX (BLACK)	1	1	MY97
6	73430-77810-T01	.LOCK ASSY, SIDE BOX (GRAY)	1	1	MY98
7	82200-60831	.CYLINDER, FRONT DOOR LOCK RH	1	1	
8	82200-60841	.CYLINDER, FRONT DOOR LOCK LH	1	1	
9-1	82500-60821	.CYLINDER, REAR GATE LOCK	1	-	
9-2	82500-60830	.CYLINDER, BACK DOOR LOCK	-	1	
10-1	89300-60802	.CYLINDER, FUEL LID LOCK	1	-	
10-2	89300-60802	.CYLINDER, FUEL LID LOCK	-	1	
11	37145-77E10	KEY, BLANK	1	1	OPT:W/INMOBILIZER
12	37145-60A00	KEY, BLANK	1	1	OPT:N/INMOBILIZER

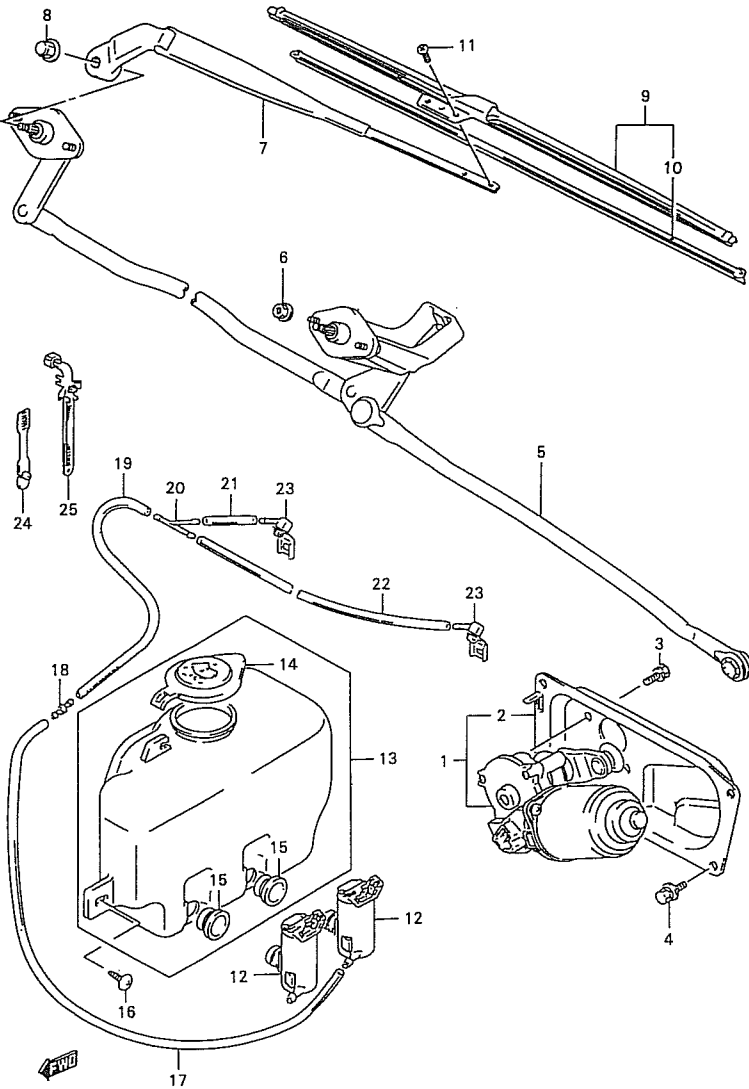
# FIG. 98

# FIG 98. FR WINDSHIELD WIPER (LHD)



REF. NO.	PART NO.	DESCRIPTION	Q' TY		REMARKS
			C	V	
1-1	38101-60A40	MOTOR & BRACKET ASSY, WIPER	1	1	NIPPON DENSO
1-2	38101-85C40	MOTOR & BRACKET ASSY, WIPER	1	1	DOGA
2	38252-60A00	.BRACKET, WIPER MOTOR	1	1	
3	01570-06103	.BOLT	3	3	
4	09115-06001	BOLT, WIPER BRACKET	4	4	
5-1	38102-60A10	LINK ASSY, WIPER	1	1	NIPPON DENSO
5-2	38102-85C40	LINK ASSY, WIPER	1	1	DOGA
6	08316-20063	NUT	5	5	
7-1	38310A60A00	ARM ASSY, WIPER	2	2	NIPPON DENSO
7-2	38310-85C00	ARM ASSY, WIPER	2	2	DOGA
8	08313-20083	NUT	2	2	
9-1	38340-60A00	BLADE ASSY, WIPER	2	2	NIPPON DENSO
9-2	38340-85C00	BLADE ASSY, WIPER	2	2	DOGA
10	38346-84040	.BLADE	2	2	NIPPON DENSO
11	38319-75000	SCREW, BLADE	4	4	NIPPON DENSO
12-1	38410-66113	PUMP ASSY, WASHER	1	-	
12-2	38410-66113	PUMP ASSY, WASHER	-	2	
13-1	38450-60A00	TANK ASSY, WASHER	1	-	
13-2	38450-61A00	TANK ASSY, WASHER	-	1	
14	38452-80000	.CAP, WASHER TANK	1	1	
15-1	38453-75000	.GROMMET, PUMP	1	-	
15-2	38453-75000	.GROMMET, PUMP	-	2	
16	02142-06163	SCREW, TANK	2	2	
17	38491-61A00	HOSE, WASHER (L:1300>340)	1	1	
18	38496-61A00	VALVE, WASHER HOSE	1	1	
19	38491-61A00	HOSE, WASHER (L:1300>800)	1	1	
20	38496-71311	CONNECTOR, HOSE 3 WAY	1	1	
21	38491-61A00	HOSE, WASHER (L:1300>70)	1	1	
22	38491-61A00	HOSE, WASHER (L:1300>650)	1	1	
23	38480-60A01	NOZZLE, WASHER	2	2	
24	09407-05403	CLAMP, WASHER HOSE	2	2	
25	09407-12404	CLAMP, WASHER HOSE	1	1	

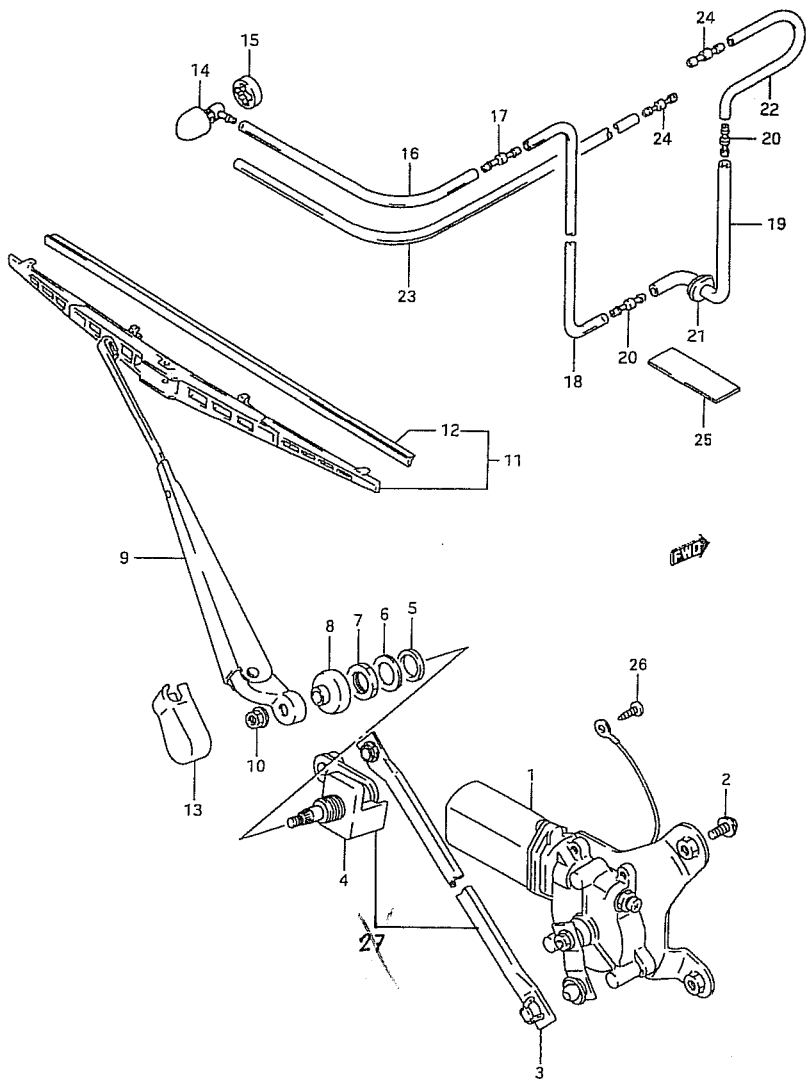
# FIG. 99



## FIG 99. FR WINDSHIELD WIPER (RHD)

REF. NO.	PART NO.	DESCRIPTION	Q' TY		REMARKS
			C	V	
1-1	38101-60A30	MOTOR & BRACKET ASSY, WIPER	1	1	NIPPON DENSO
1-2	38101-85C20	MOTOR & BRACKET ASSY, WIPER	1	1	DOGA
2	38252-60A00	.BRACKET, WIPER MOTOR	1	1	
3	01570-06103	.BOLT	3	3	
4	09115-06001	BOLT, WIPER BRACKET	4	4	
5-1	38102-60A00	LINK ASSY, WIPER	1	1	NIPPON DENSO
5-2	38102-85C20	LINK ASSY, WIPER	1	1	DOGA
6	08316-20063	NUT	5	5	
7-1	38310-60A10	ARM ASSY, WIPER	2	2	NIPPON DENSO
7-2	38310-85C10	ARM ASSY, WIPER	2	2	DOGA
8	08313-20083	NUT	2	2	
9-1	38340-60A10	BLADE ASSY, WIPER	2	2	NIPPON DENSO
9-2	38340-85C10	BLADE ASSY, WIPER	2	2	DOGA
10	38346-84040	.BLADE	2	2	NIPPON DENSO
11	38319-75000	SCREW, BLADE	4	4	NIPPON DENSO
12-1	38410-66113	PUMP ASSY, WASHER	1	-	
12-2	38410-66113	PUMP ASSY, WASHER	-	2	
13-1	38450-60A00	TANK ASSY, WASHER	1	-	
13-2	38450-61A00	TANK ASSY, WASHER	-	1	
14	38452-80000	.CAP, WASHER TANK	1	1	
15-1	38453-75000	.GROMMET, PUMP	1	-	
15-2	38453-75000	.GROMMET, PUMP	-	2	
16	02142-06163	SCREW, TANK	2	2	
17	38491-61A00	HOSE, WASHER (L:1300>340)	1	1	
18	38496-61A00	VALVE, WASHER HOSE	1	1	
19	38491-61A00	HOSE, WASHER (L:1300>800)	1	1	
20	38496-71311	CONNECTOR, HOSE 3 WAY	1	1	
21	38491-61A00	HOSE, WASHER (L:1300>70)	1	1	
22	38491-61A00	HOSE, WASHER (L:1300>650)	1	1	
23	38480-60A01	NOZZLE, WASHER	2	2	
24	09407-05403	CLAMP, WASHER HOSE	2	2	
25	09407-12404	CLAMP, WASHER HOSE	1	1	

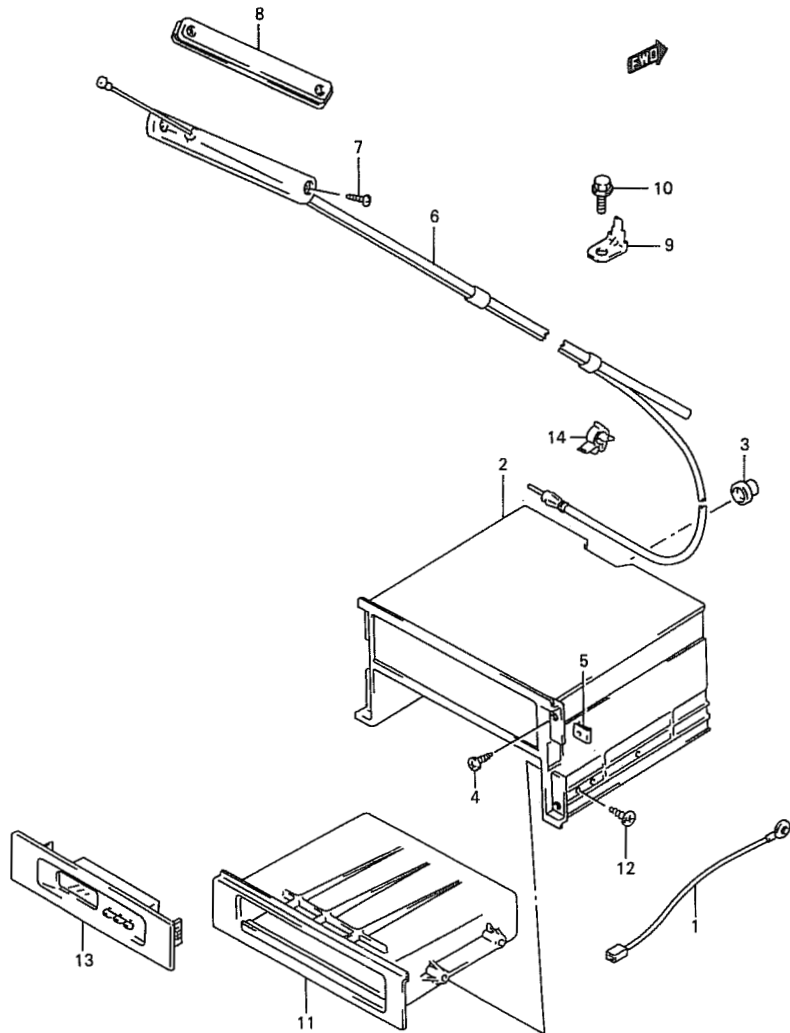
# FIG. 100



# FIG 100. RR WINDSHIELD WIPER (V AND HARD TOP)

REF. NO.	PART NO.	DESCRIPTION	Q' TY		REMARKS
			C	V	
1-1	38811-61A00	MOTOR ASSY, REAR WIPER		1	MITSUBA
1-2	38810-85C10 ✓	MOTOR ASSY, REAR WIPER		1	DOGA:METAL TOP
1-3	35311-00000	MOTOR ASSY, REAR WIPER		1	DOGA:HARD TOP
2	09125-06060 ✓	SCREW, WIPER BRACKET	3		
3	38813-61A00 ✓	ROD, REAR WIPER	1		MITSUBA
4	38814-61A00	PIVOT ASSY, REAR WIPER	1		MITSUBA
5	38272-61A00	GASKET, WIPER PIVOT	1		
6	38271-61A00	WASHER, WIPER PIVOT	1		
7	38278-61A00	NUT, WIPER PIVOT	1		
8	38274-61A00	CAP, WIPER PIVOT	1		
9-1	38821-61A00	ARM ASSY, REAR WIPER	1		MITSUBA
9-2	38821-85C00	ARM ASSY, REAR WIPER	1		DOGA
10	08316-20063	NUT, WIPER ARM	1		
11-1	38822-61A00	BLADE ASSY, REAR WIPER	1		MITSUBA
11-2	38822-85C00	BLADE ASSY, REAR WIPER	1		DOGA
12	38346-61A00	.BLADE, RUBBER	1		MITSUBA
13-1	38315-61A00	COVER, HEAD	1		MITSUBA
13-2	38315-85C00	COVER, HEAD	1		DOGA
14	38842-61A00	NOZZLE, REAR WASHER	1		
15	38843-61A01	GASKET, REAR WASHER NOZZLE	1		
16	38491-61A00	HOSE, WASHER (L:1300) ✓	1		
17	38496-61A00	VALVE, WASHER HOSE	1		
18	38491-61A10	HOSE, WASHER (L:2100)	1		3DR
19	38835-61A00	HOSE, WASHER	1		3DR
20	38838-82000	CONNECTOR, WASHER HOSE	2		3DR
21	38839-82000	GROMMET	1		3DR
22	38491-61A00	HOSE (L:1300>650)	1		3DR:LHD
23-1	38491-79020	HOSE, WASHER (L:3500>2750)	1		5DR:LHD
23-2	38491-79020	HOSE, WASHER (L:3500>2100)	1		5DR:RHD
24	38496-56B00	CONNECTOR, WASHER HOSE	1		3DR:LHD, 5DR:RHD
25	36930-85C00 ✓	CLAMP, WASHER HOSE	3		3DR
26	09139-05028	SCREW, EARTH	1		
<del>27</del>	<del>38813-85C10</del>	<del>LINK ASSY, REAR WIPER</del> FUERA DE USO	<del>1</del>		<del>DOGA</del>

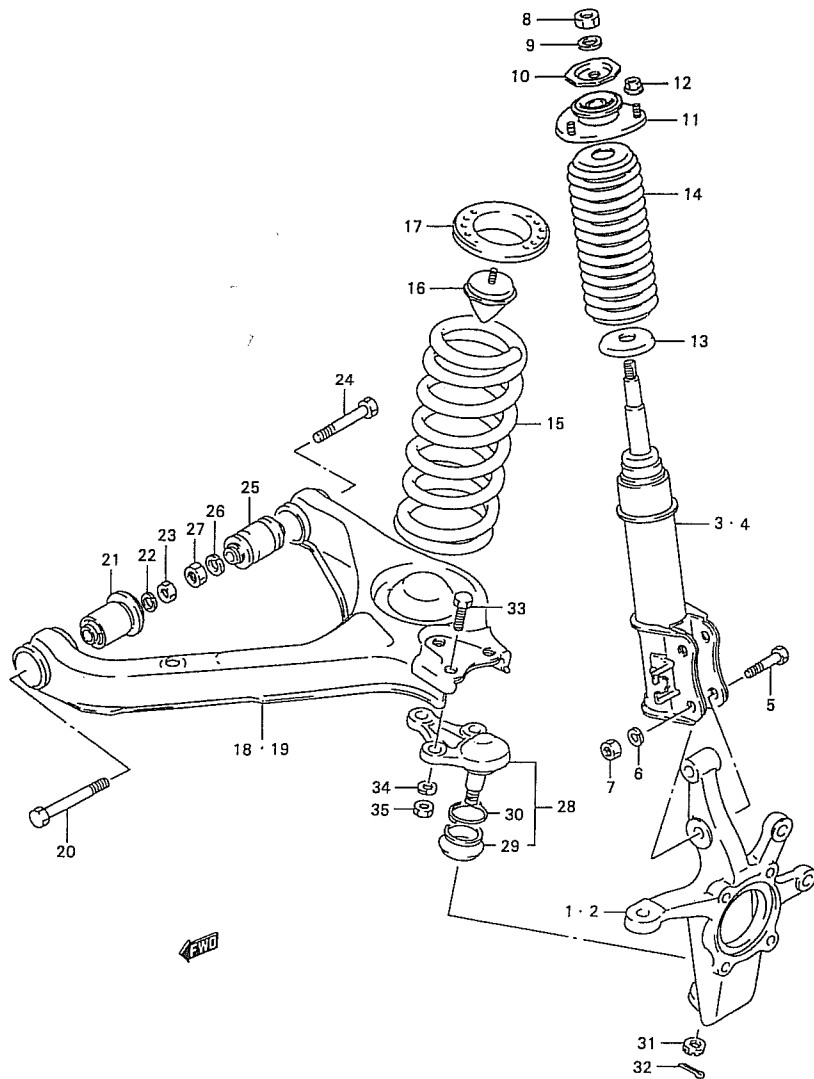
# FIG. 101



## FIG 101. RADIO

REF. NO.	PART NO.	DESCRIPTION	QTY		REMARKS
			C	V	
1	39191-85C00	WIRE, TUNER GROUND NO.1	1	1	
2	39321-60G10	BRACKET, TUNER	1	1	
3	34955-60E00	BUSH	1	1	
4	03141-05128	SCREW	4	4	
5	09148-05038	NUT	4	4	
6	39250-85C00	ANTENNA ASSY	1	1	W/ANTENNA
7	39251-50G00	SCREW, ANTENNA	2	2	
8	39262-60A00	COVER, ANTENNA HOLE	1	1	N/ANTENNA
9	36865-82000	TERMINAL, GROUND	1	1	4 VALVE
10	01550-06123	BOLT, TERMINAL	1	1	4 VALVE
11	39182-70E01	POCKET, TUNER	1	1	
12	03241-05125	SCREW	4	4	
13	34600-77E00	CLOCK ASSY	1	1	
14	39283-85C00	CLAMP, ANTENN FEEDER	3	3	W/ANTENNA

# FIG. 102



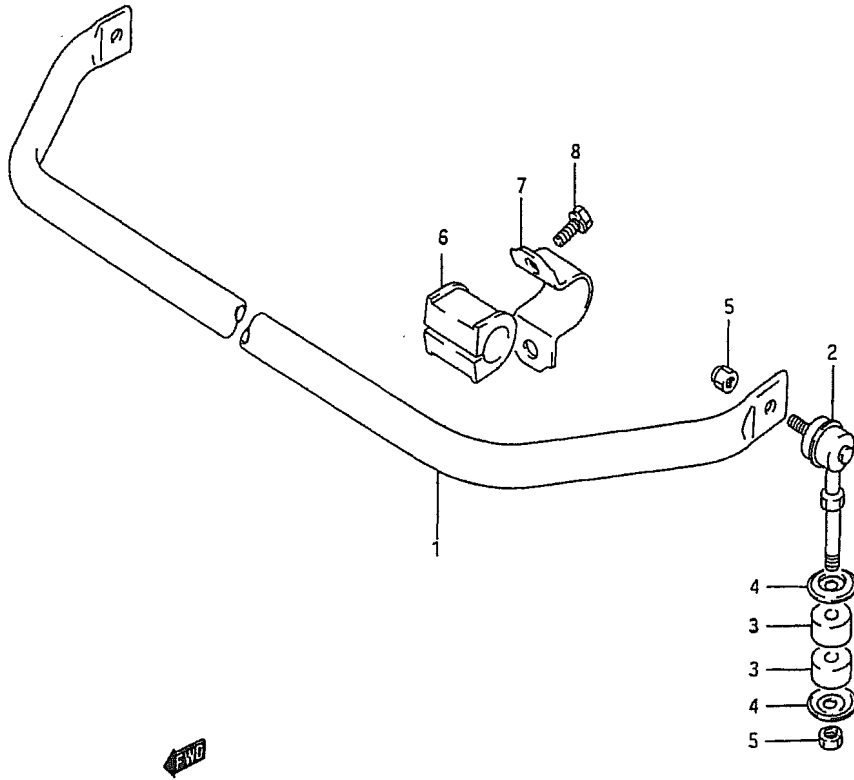
# FIG 102. FRONT SUSPENSION

REF. NO.	PART NO.	DESCRIPTION	Q' TY		REMARKS
			C	V	
1	45111-60A00	KNUCKLE, STEERING RH	1	1	
2	45151-60A00	KNUCKLE, STEERING LH	1	1	
3-1	41601-85CA0	STRUT, FRONT SUSPENSION RH	1	1	N/ABS
3-2	41601-85CB0	STRUT, FRONT SUSPENSION RH	1	1	W/ABS
4-1	41602-85CA0	STRUT, FRONT SUSPENSION LH	1	1	N/ABS
4-2	41602-85CB0	STRUT, FRONT SUSPENSION LH	1	1	W/ABS
5	09100-12067	BOLT (12X61)	4	4	
6	08321A31123	LOCK WASHER	4	4	
7	08310-00123	NUT	4	4	
8	08310-00143	NUT	2	2	
9	08321-01143	LOCK WASHER	2	2	
10	41841-85C00	SEAT, STRUT UPPER	2	2	
11	41810-60A01	SUPPORT, FRONT STRUT	2	2	
12	08316-20083	NUT	6	6	
13	41842-85C00	SEAT, STRUT LOWER	2	2	
14	41850-60A00	BOOT, STRUT DUST	2	2	
15-1	41111-85C30	SPRING, FRONT COIL	2	2	3DR
15-2	41111-56B03	SPRING, FRONT COIL	-	2	MY97,5DR
15-3	41111-85C10	SPRING, FRONT COIL	-	2	MY98,5DR
16	42110-85C00	STOPPER, BUMP FRONT	2	2	
17	41211-60A00	SEAT, COIL SPRING RUBBER	2	2	
18	45201-85C00	ARM, FRONT SUSPENSION RH	1	1	
19	45202-85C00	ARM, FRONT SUSPENSION LH	1	1	
20	09103-12048	BOLT, ARM FRONT (12X90)	2	2	
21	45253-85C00	BUSHING, ARM FRONT	2	2	
22	08321A31123	LOCK WASHER	2	2	
23	08310-00123	NUT	2	2	
24	09100-14002	BOLT, ARM REAR (14X94)	2	2	
25	45254-85C00	BUSHING, ARM REAR	2	2	
26	08321-01143	LOCK WASHER	2	2	
27	08310-00143	NUT	2	2	
28	45700-85C00	JOINT ASSY, LOWER ARM BALL	2	2	
29	45706-60A00	.SEAL SET	2	2	
30	45715-60A00	.CLIP	2	2	
31	08314-41143	NUT	2	2	
32	04111-30308	PIN	2	2	
33	09100-12055	BOLT (12X40)	6	6	
34	08321A31123	LOCK WASHER	6	6	
35	08310-00123	NUT	6	6	

# FIG. 103

## FIG 103. FRONT STABILIZER

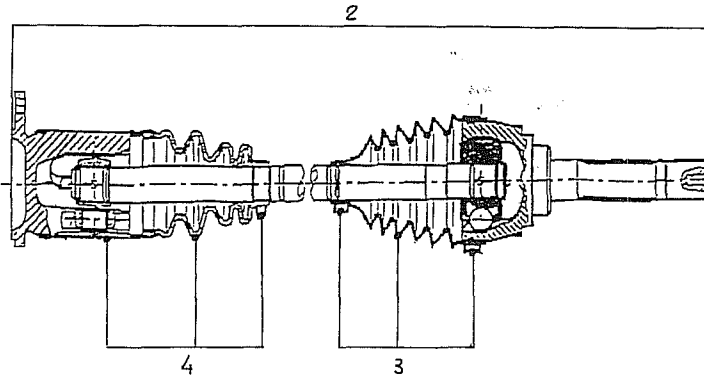
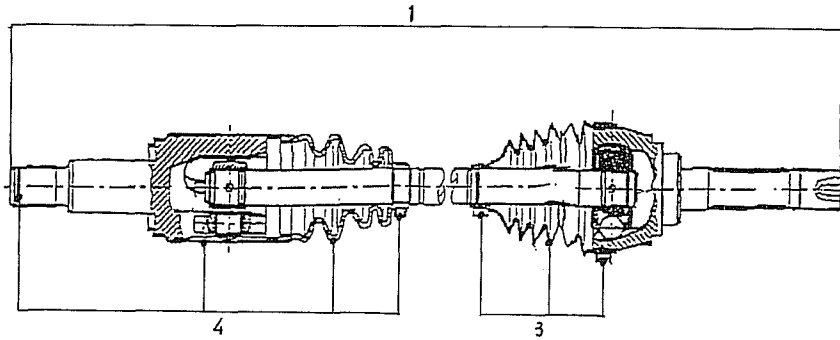
REF. NO.	PART NO.	DESCRIPTION	QTY		REMARKS
			C	V	
1	42311-85C00	BAR, STABILIZER FRONT	1	1	
2	42420-85C00	JOINT	2	2	
3	09320-10024	BUSH	4	4	
4	09165-10002	WASHER	4	4	
5	42421-85C00	NUT	4	4	
6	42412-85C00	BUSHING, BAR MOUNT	2	2	
7	42411-85C00	BRACKET, BAR MOUNT	2	2	
8	01500-08203	BOLT	2	2	



# FIG. 104

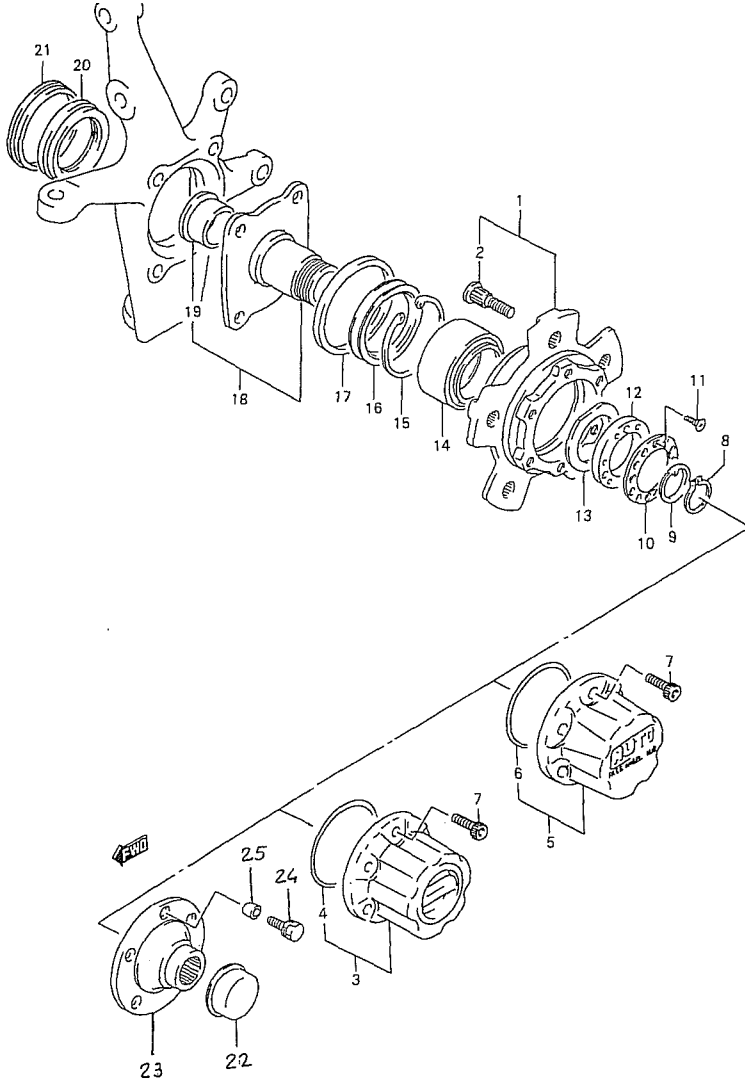
## FIG 104. FRONT DRIVER SHAFT

REF. NO.	PART NO.	DESCRIPTION	Q' TY		REMARKS
			C	V	
1	44101-85C20	SHAFT ASSY, FRONT DRIVE RH	1	1	
2	44102-85C00	SHAFT ASSY, FRONT DRIVE LH	1	1	
3	00000A01260	.BOOT SET	1	1	
4	00000A01241	.BOOT SET	1	1	





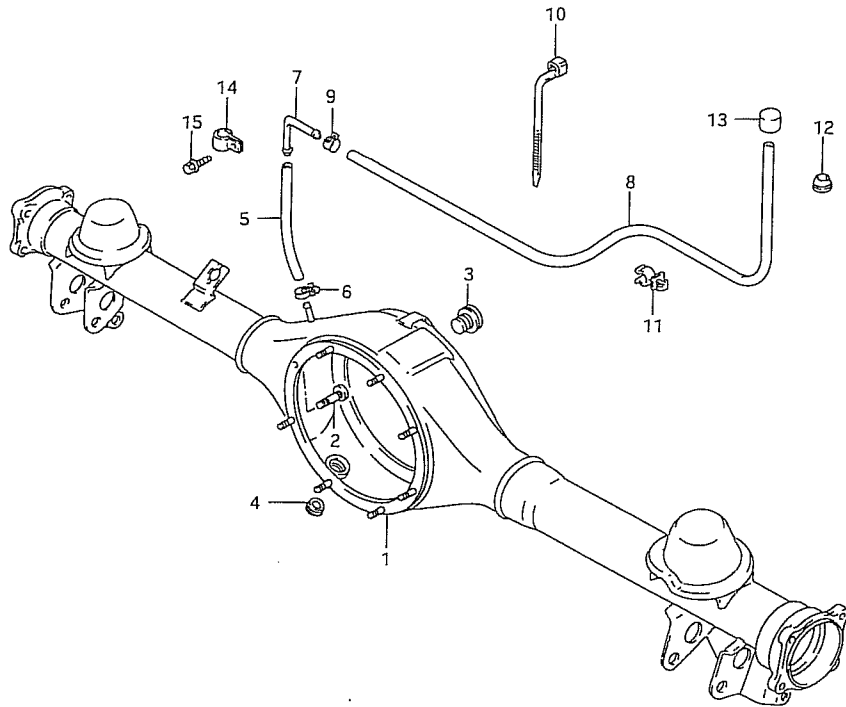
# FIG. 105



## FIG 105. FRONT WHEEL HUB

REF. NO.	PART NO.	DESCRIPTION	Q' TY		REMARKS
			C	V	
1	43420-77E10	HUB SET, FRONT WHEEL	2	2	
2	09119-12008	.BOLT	10	10	
3	43810-60A40-KIT	MANUAL FREE WHEEL	2	2	MANUAL FREE WHEEL
4	43838-60A30	.O RING	2	2	
5	43810-60A30-KIT	AUTO FREE WHEEL	2	2	AUTO FREE WHEEL
6	43838-60A30	.O RING	2	2	
7	43811-60A30	BOLT	12	12	
8	44141-85C00	CIRCLIP	2	2	
9	44182-60A01	WASHER, SPINDLE THRUST	2	2	
10-1	43466-60A00	WASHER, BEARING LOCK	2	2	MANUAL FREE WHEEL
10-2	43466-60A30	WASHER, BEARING LOCK	2	2	AUTO FREE WHEEL
11	02122-04083	SCREW	8	8	MANUAL FREE WHEEL
12-1	43461-60A01	NUT, BEARING LOCK	2	2	MANUAL FREE WHEEL
12-2	43461-60A30	NUT, BEARING LOCK	2	2	AUTO FREE WHEEL
13-1	43465-60A00	WASHER, WHEEL BEARING	2	2	MANUAL FREE WHEEL
13-2	43465-60A30	WASHER, WHEEL BEARING	2	2	AUTO FREE WHEEL
14	43462-85C00	BEARING, FRONT WHEEL	2	2	
15	43486-85C00	CIRCLIP	2	2	
16	09283-54001	SEAL, WHEEL BEARING OIL	2	2	
17	09286-75001	SEAL, WHEEL HUB	2	2	
18-1	43440-85C00	SPINDLE, FRONT WHEEL	2	2	N/ABS
18-2	43440-77E00	SPINDLE, FRONT WHEEL	2	2	W/ABS
19-1	43445-85C00	.BUSHING	2	2	N/ABS
19-2	43445-60A11	.BUSHING	2	2	W/ABS
20	09289-48004	SEAL, OIL INNER	2	2	
21	09286-64001	SEAL, DRIVE SHAFT OIL	2	2	
22	43421-80001	CAP, FRONT AXLE	2	2	N/FREE WHEEL
23	43471-60A00	FLANGE, FRONT AXLE SHAFT	2	2	N/FREE WHEEL
24	01500-08253	BOLT	12	12	N/FREE WHEEL
25	43841-80001	WASHER	12	12	N/FREE WHEEL

# FIG. 106

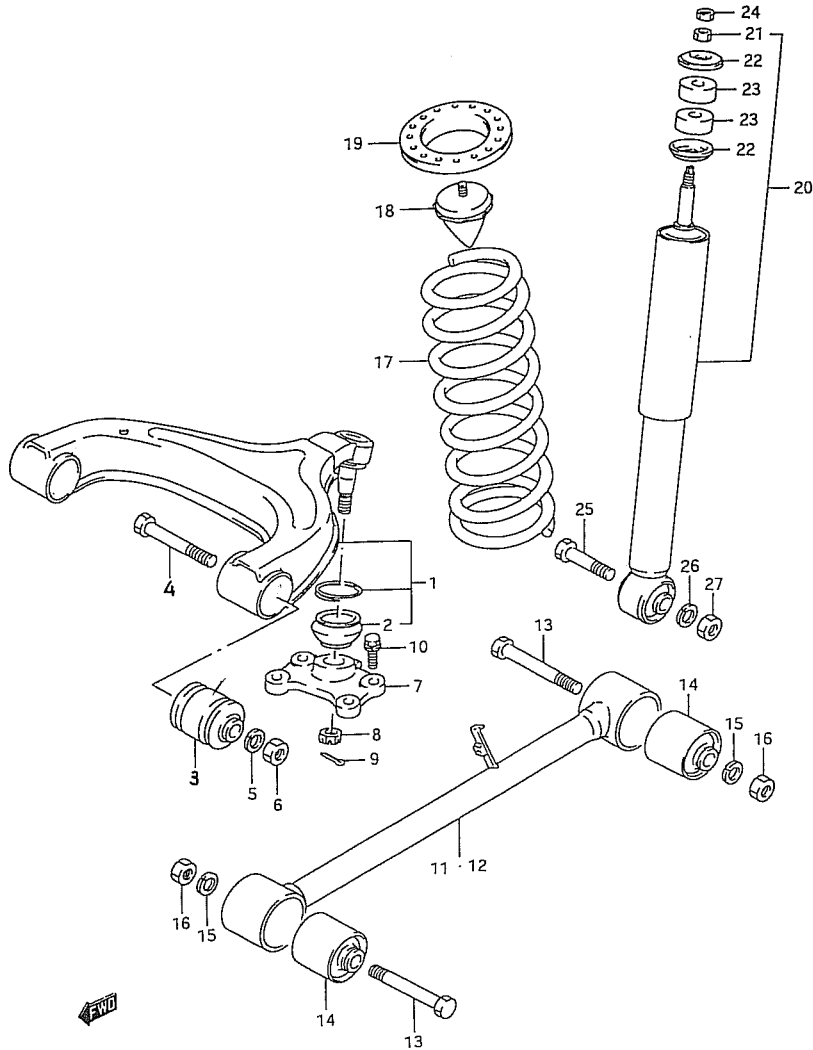


## FIG 106. REAR AXLE HOUSING

REF. NO.	PART NO.	DESCRIPTION	Q' TY		REMARKS
			C	V	
1	46510-86C00	HOUSING ASSY, REAR AXLE	1	1	
2	46517-85C00	.BOLT	8	8	
3	21947-85C40	PLUG, OIL LEVEL	1	1	
4	21947-85C50	PLUG, DRAIN	1	1	
5	46520-60A00	HOSE, BREATHER	1	1	
6	15899-85C00	CLAMP	1	1	
7	09367-08003	UNION, BREATHER HOSE	1	1	
8-1	46581-85C00	HOSE, BREATHER NO.2	1	1	3DR
8-2	09352-70113-00B	HOSE, BREATHER NO.2	-	1	5DR (2000>1420)
9	46583-85C00	CLAMP	1	1	MY97
10	36990-85C00	BAND	1	1	
11-1	09407-17401	CLAMP	1	1	3DR
11-2	09407-17401	CLAMP	-	2	5DR
12	09308-11009	GROMMET	1	1	
13	46543-85C00	PLUG, BREATHER	1	1	
14	09403-14408	CLAMP	1	1	
15	01550-06123	BOLT	1	1	



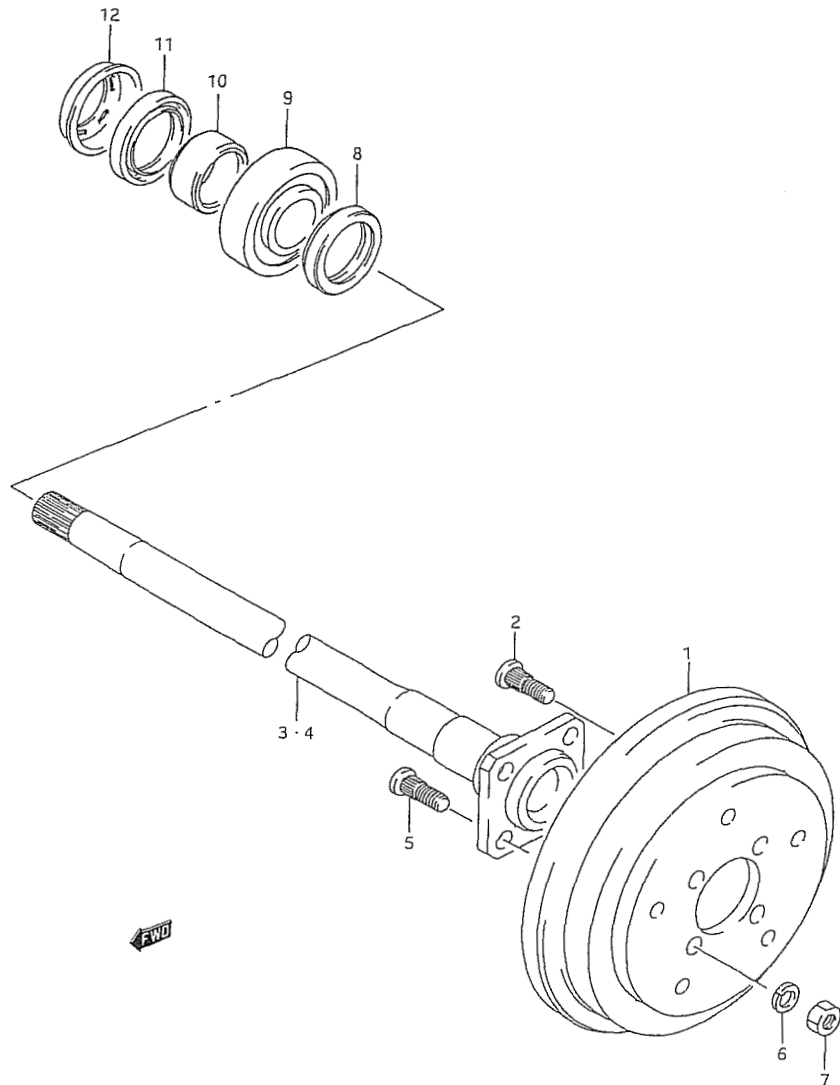
# FIG. 107



## FIG 107. REAR SUSPENSION

REF. NO.	PART NO.	DESCRIPTION	QTY		REMARKS
			C	V	
1	46200-50830 ✓	ARM ASSY, SUSPENSION UPPER	1	1	
2	46206-60A00	.SEAL SET	1	1	
3	43215-85C00 ✓	.BUSHING	2	2	
4	09103-12048 ✓	BOLT (12X90)	2	2	
5	08321A31123 ✓	LOCK WASHER	2	2	
6	08310-00123 ✓	NUT	2	2	
7	46411-60A00 ✓	BOSS, BALL JOINT	1	1	
8	08314-41143 ✓	NUT	1	1	
9	04111-30208 ✓	PIN	1	1	
10	01500-10303 ✓	BOLT	4	4	
11	46310-85C00 ✓	ROD, TRAILING RH	1	1	
12	46320-85C00 ✓	ROD, TRAILING LH	1	1	
13	09103-12048 ✓	BOLT (12X90)	4	4	
14	46314-85C00 ✓	BUSHING	4	4	
15	08321A31123 ✓	LOCK WASHER	4	4	
16	08310-00123 ✓	NUT	4	4	
17-1	41311-77EA0	SPRING, REAR COIL	2	2	3DR
17-2	41311-85CA0	SPRING, REAR COIL	2	2	3DR
17-3	41311-77E00	SPRING, REAR COIL	-	2	5DR
17-4	41311-85C10	SPRING, REAR COIL	-	2	5DR
18-1	42110-85C00	STOPPER, BUMPER REAR	2	2	
18-2	42150-85C30	STOPPER, REAR BUMP	2	2	3DR:W/WIDE
19	41211-60A00	SEAT, COIL SPRING RUBBER	2	2	
20-1	41700-85C10	ABSORBER ASSY, REAR SHOCK	2	2	3DR
20-2	41700-85C20	ABSORBER ASSY, REAR SHOCK	-	5	5DR
21	08310-00103	.NUT	2	2	
22	09165-10003	.WASHER	4	4	
23	09320-10040	.BUSHING	4	4	
24	08310-00103	NUT	2	2	
25	09100-12067	BOLT (12X61)	2	2	
26	08321A31123	LOCK WASHER	2	2	
27	08310-00123	NUT	2	2	

# FIG. 108

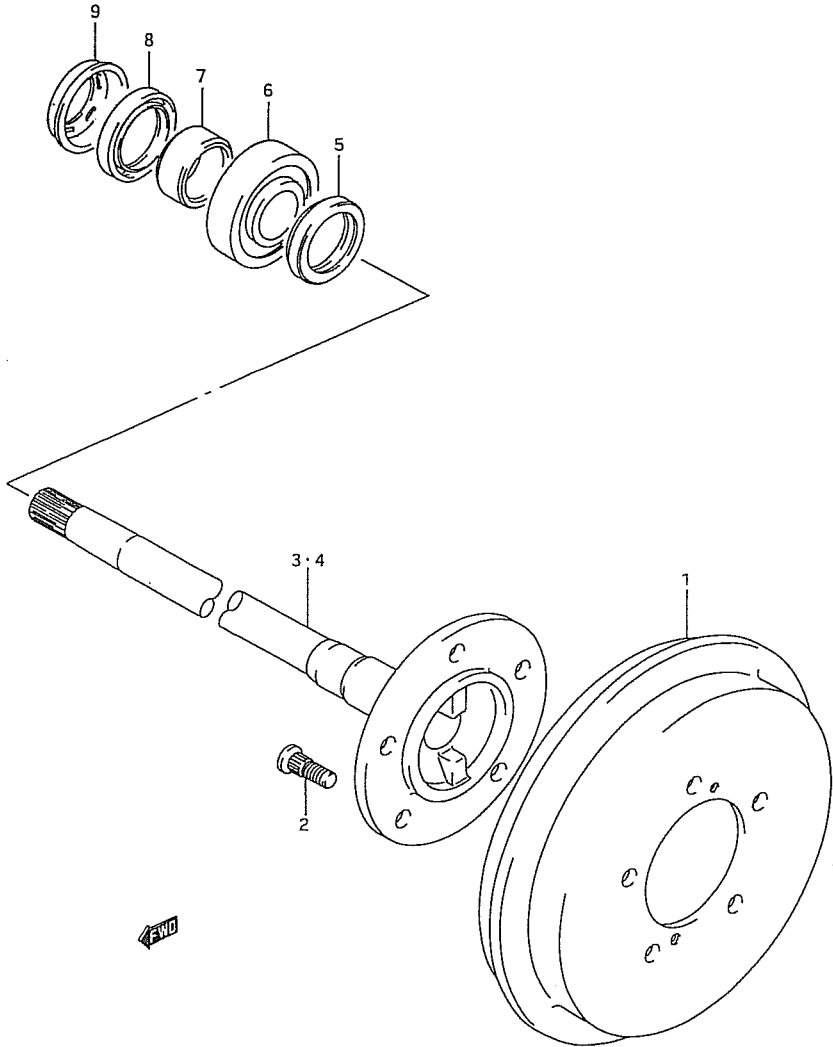


## FIG 108. REAR AXLE AND BRAKE DRUM (2 VALVE)

REF. NO.	PART NO.	DESCRIPTION	Q' TY		REMARKS
			C	V	
1	43511A60A00	DRUM, REAR BRAKE	2	2	
2	09119-12008	BOLT	10	10	
3	44210-56B00	SHAFT, REAR AXLE RH	1	1	
4	44220-60A00	SHAFT, REAR AXLE LH	1	1	
5	44231-85C00	BOLT	8	8	
6	08321A31123	LOCK WASHER	8	8	
7	08310-00123	NUT, REAR HUB	8	8	
8	09284-45001	SEAL, OIL OUTER	2	2	
9	09269-35010	BEARING, REAR WHEEL	2	2	
10	43485-73000	RING, BEARING RETAINER	2	2	
11	09282-48003	SEAL, OIL INNER	2	2	
12	43588-73000	PROTECTOR, OIL SEAL	2	2	

SE416/SE419TD - MY97, MY98

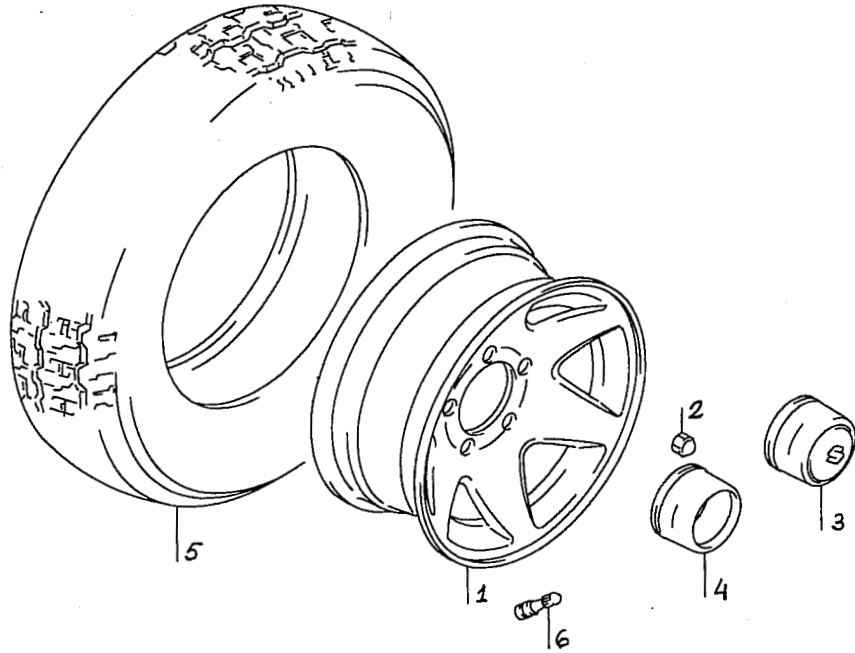
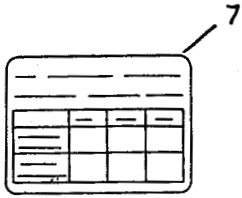
# FIG. 109



## FIG 109. REAR AXLE AND BRAKE DRUM (4 VALVE)

REF. NO.	PART NO.	DESCRIPTION	Q' TY		REMARKS
			C	V	
1-1	43511-60A10	DRUM, REAR BRAKE	2	2	3DR
1-2	43511-77E00	DRUM, REAR BRAKE	-	2	5DR
2	09119-12008	BOLT	10	10	
3	44211-85C10	SHAFT, REAR AXLE RH	1	1	
4	44221-85C10	SHAFT, REAR AXLE LH	1	1	
5	09284-45001	SEAL, OIL OUTER	2	2	
6	09269-35010	BEARING, REAR WHEEL	2	2	
7	43485-73000	RING, BEARING RETAINER	2	2	
8	09282-48003	SEAL, OIL INNER	2	2	
9	43588-73000	PROTECTOR, OIL SEAL	2	2	

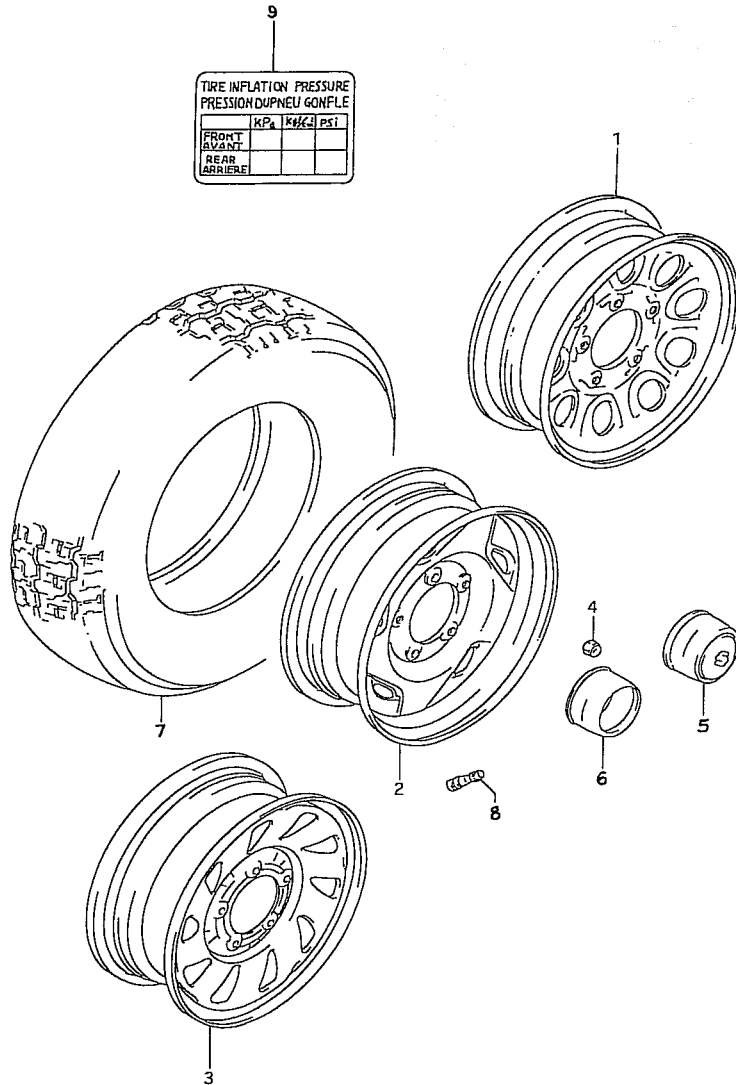
# FIG. 111



## FIG 111. ROAD WHEEL (3DR: W/WIDE)

REF. NO.	PART NO.	DESCRIPTION	QTY		REMARKS
			C	V	
1	43211-85C20	WHEEL AL (15X7J) (SILVER)	5	5	
2	43281-85C30	NUT	20	20	
3	43252-85C00	CAP, WHEEL CENTER	2	2	
4	43252-60A10	CAP, WHEEL HUB	2	2	
5	43110-85C30	TIRE (P255/60R15)	5	5	
6	43130-78030	VALVE, TIRE (TR413)	5	5	
7	79161-85C30	PLACARD, TIRE INFORMATION	1	1	

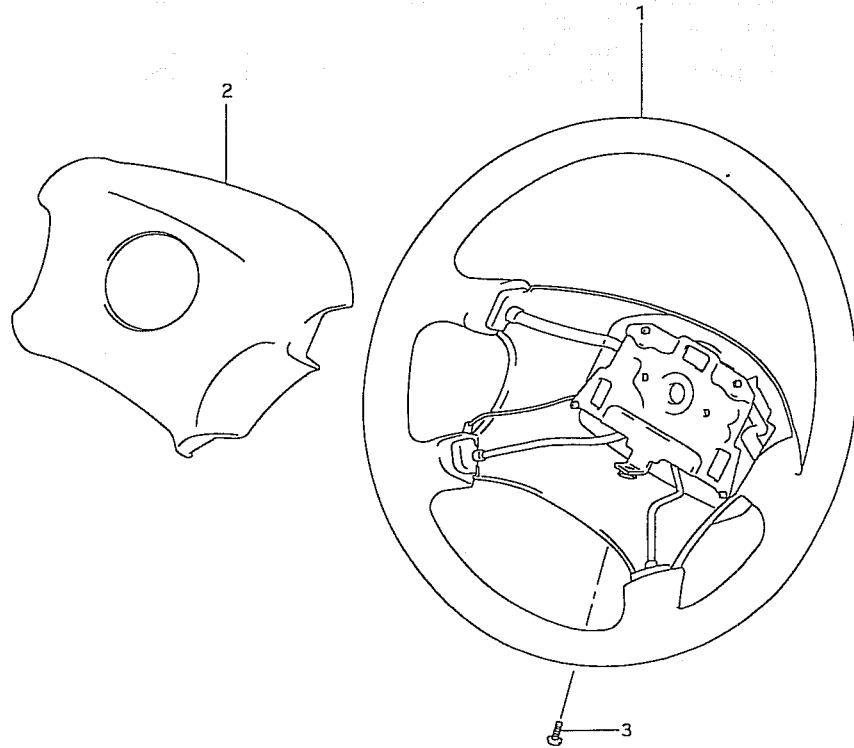
# FIG. 110



## FIG 110. ROAD WHEEL

REF. NO.	PART NO.	DESCRIPTION	QTY		REMARKS
			C	V	
1-1	43210-60A20-27S	WHEEL (15X51/2JJ) (SILVER)	5	5	3DR
1-2	43210-00010	WHEEL (15X6J)	5	5	GREECE/NORDICA
1-3	43210-00020	WHEEL (15X6J)	5	5	SPECIAL SERIE
2	43210-85C00	WHEEL (15X51/2JJ) (SILVER)	5	5	3DR:JLX
3-1	43210-56B20	WHEEL (15X51/2JJ) (SILVER)	-	5	MY97,5DR
3-2	43210-85C50-27S	WHEEL (15X51/2JJ) (SILVER)	-	5	MY98,5DR
4	09159-12024	NUT	20	20	
5	43252-85C00	CAP, WHEEL CENTER	2	2	
6	43252-60A10	CAP, WHEEL HUB	2	2	
7-1	43110-85C10	TIRE (195R15)	5	5	BRIDGESTONE
7-2	43110-60A60	TIRE (195R15)	5	5	DUNLOP
8	43130-78030	VALVE, TIRE (TR413)	5	5	
9	79161-85C10	PLACARD, TIRE INFORMATION	1	1	

# FIG. 112

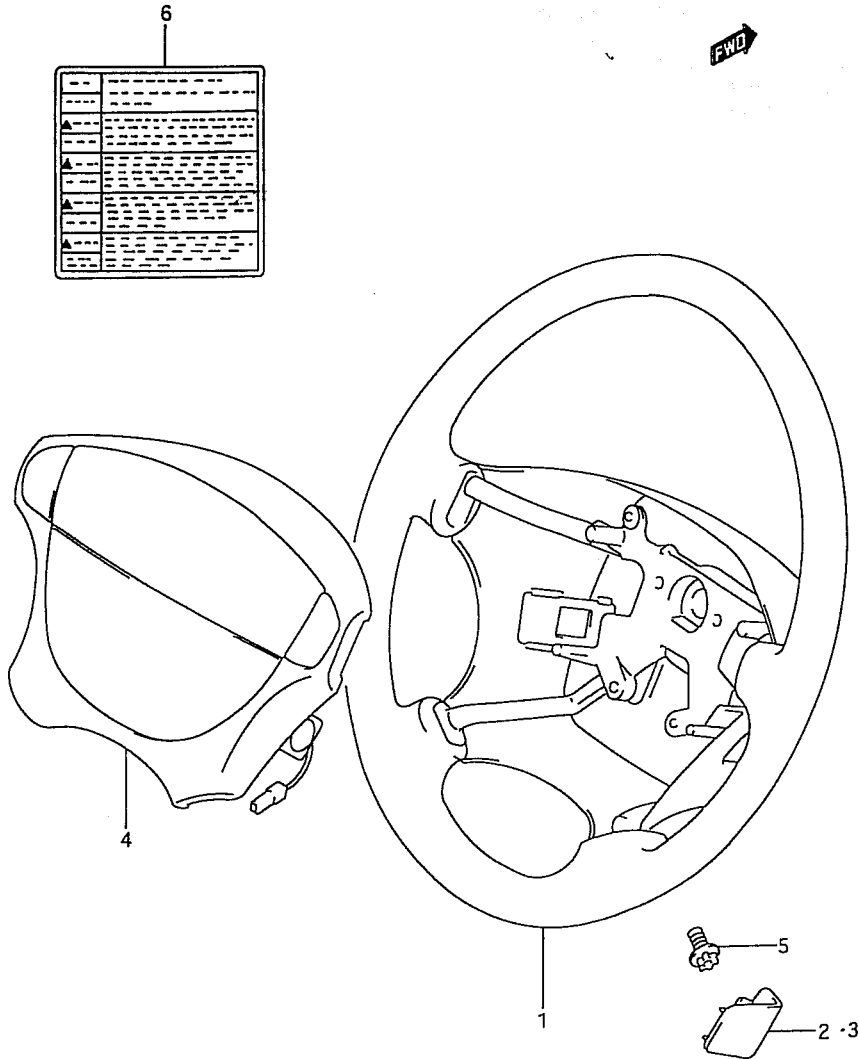


## FIG 112. STEERING WHEEL (N/AIR BAG)

REF. NO.	PART NO.	DESCRIPTION	QTY		REMARKS
			C	V	
1-1	48110-62G00-5ES	WHEEL, STEERING (BLACK)	1	1	MY97,
1-2	48110-62G01-T01	WHEEL, STEERING (GRAY)	1	1	MY98,
2-1	48120-62G50-5ES	PAD, STEERING WHEEL (BLACK)	1	1	MY97,
2-2	48120-62G50-T01	PAD, STEERING WHEEL (GRAY)	1	1	MY98,
3-1	02112-75163	SCREW	1	1	MY97
3-2	02162-05163	SCREW	1	1	MY98



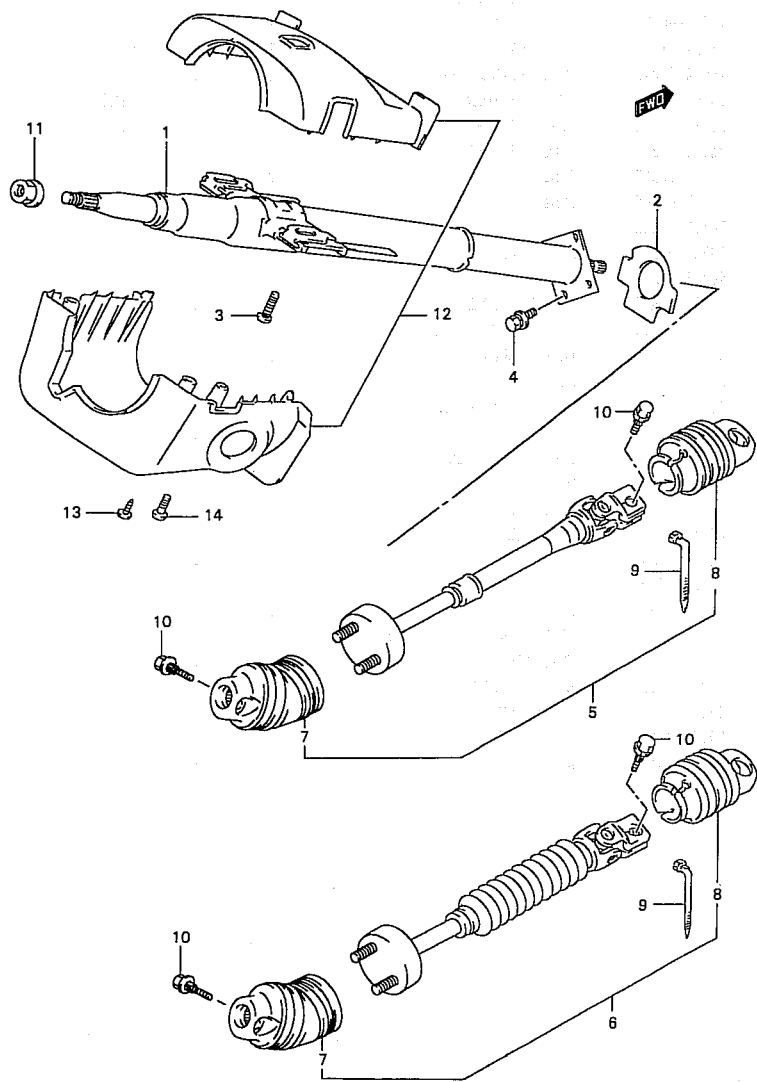
# FIG. 113



## FIG 113. STEERING WHEEL (W/AIR BAG)

REF. NO.	PART NO.	DESCRIPTION	QTY		REMARKS
			C	V	
1-1	48110-50G01-5ES	WHEEL, STEERING (BLACK)	1	1	MY97,
1-2	48110-50G02-T01	WHEEL, STEERING (GRAY)	1	1	MY98,
2-1	48118-50G00-5ES	CAP, SIDE COVER RH (BLACK)	1	1	MY97,
2-2	48118-50G00-T01	CAP, SIDE COVER RH (GRAY)	1	1	MY98,
3-1	48119-50G00-5ES	CAP, SIDE COVER LH (BLACK)	1	1	MY97,
3-2	48119-50G00-T01	CAP, SIDE COVER LH (GRAY)	1	1	MY98,
4-1	48150-51G70-5ES	MODULE ASSY, AIR BAG (BLACK)	1	1	MY97,
4-2	48150-51G71-T01	MODULE ASSY, AIR BAG (GRAY)	1	1	MY98,
5	09119-08085	BOLT, AIR BAG MODULE	2	2	
6-1	79171-50G70	LABEL, AIR BAG	1	1	MY97,
6-2	79171-50G71	LABEL, AIR BAG	1	1	MY98,

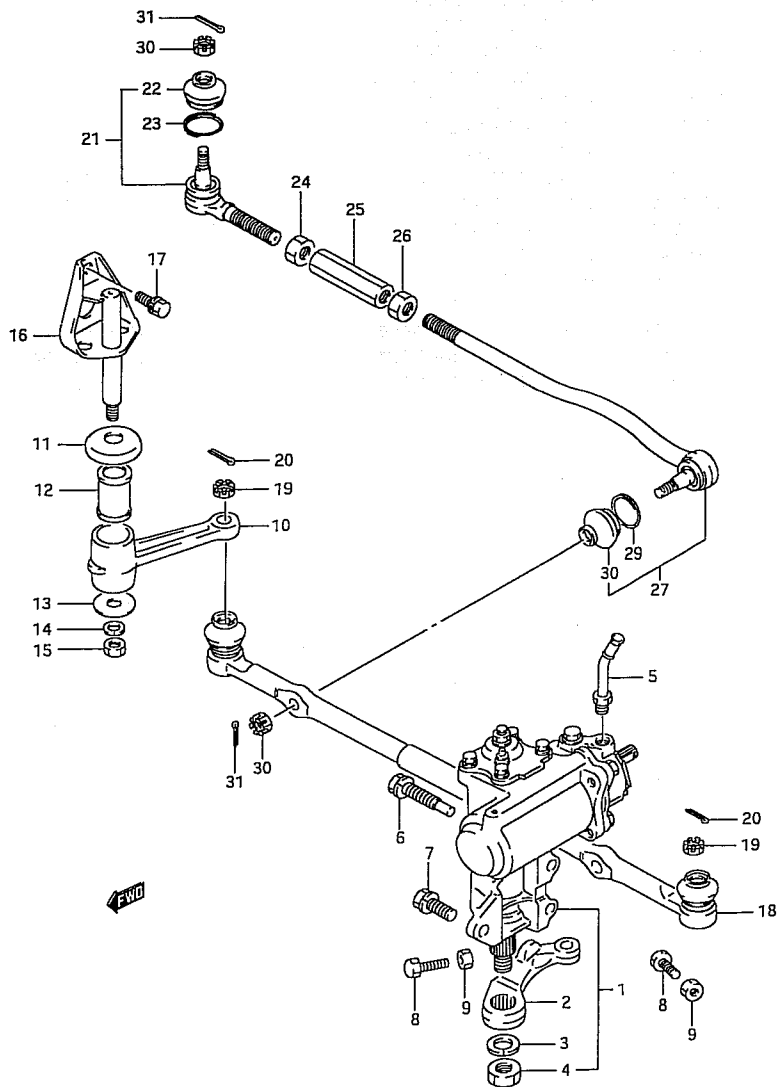
# FIG. 114



## FIG 114. STEERING COLUMN

REF. NO.	PART NO.	DESCRIPTION	Q' TY		REMARKS
			C	V	
1-1	48200-77E00	COLUMN ASSY, STEERING	1	1	N/AIR BAG
1-2	48200-77E10	COLUMN ASSY, STEERING	1	1	W/AIR BAG
2	48491-77E00	SEAL, STEERING COLUMN RUBBER	1	1	
3	09139-08015	SCREW, STEERING COLUMN (8X30)	2	2	
4	01500-08203	BOLT, STEERING COLUMN LOWER	4	4	
5	48220-77E10	SHAFT, STEERING LOWER	1	1	N/AIR BAG
6	48220-62A11	SHAFT, STEERING LOWER	1	1	W/AIR BAG
7-1	48225-56B50	.BOOT, JOINT UPPER	1	1	N/AIR BAG
7-2	48225-57B50	.BOOT, JOINT UPPER	1	1	W/AIR BAG
8	48228-60A00	.BOOT, JOINT LOWER	1	1	
9	48229-60A00	.STRAP, BOOT	1	1	
10	48239-85C00	BOLT, JOINT	2	2	
11	09159-12025	NUT, STEERING SHAFT	1	1	
12-1	48400-77E60-5ES	COVER SET, STEERING COLUMN	1	1	MY97,LHD (BLACK)
12-2	48400-77E60-T01	COVER SET, STEERING COLUMN	1	1	MY98,LHD (GRAY)
12-3	48400-77E00-5ES	COVER SET, STEERING COLUMN	1	1	MY97,RHD (BLACK)
12-4	48400-77E10-T01	COVER SET, STEERING COLUMN	1	1	MY98,RHD (GRAY)
13	03211-05123	SCREW, STEERING COVER	4	4	
14	09136-05030	SCREW, STEERING COVER LOWER	1	1	

# FIG. 115



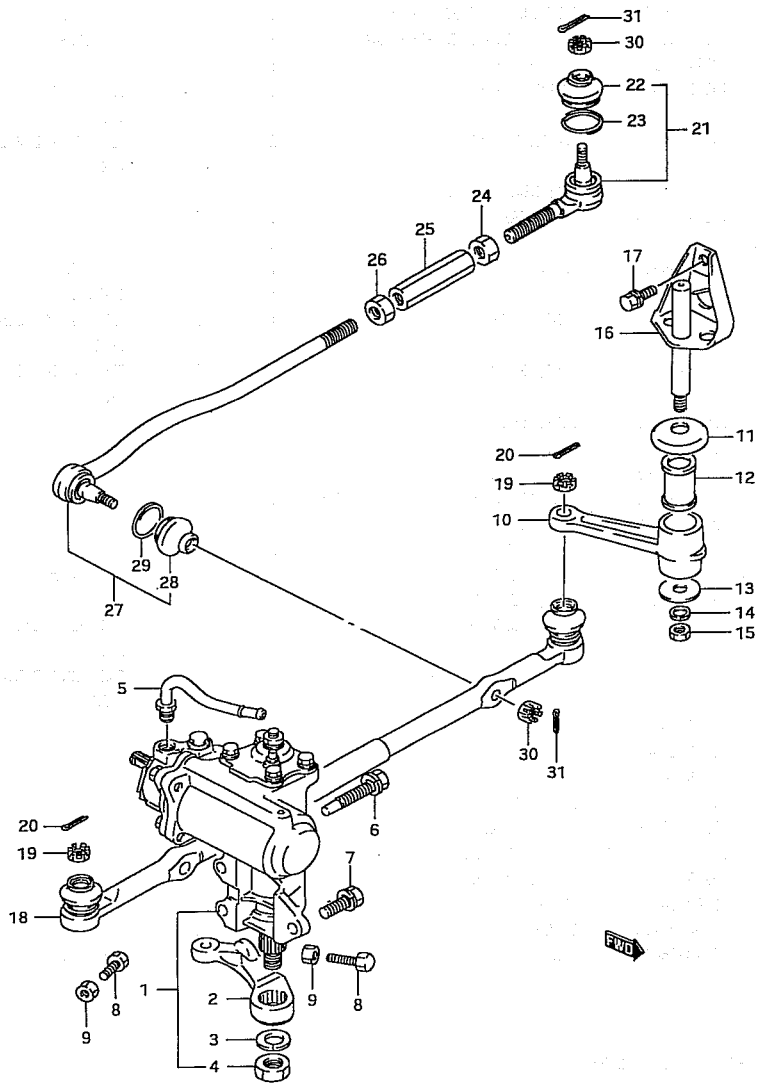
# FIG 115. STEERING LINK AND GEAR BOX (LHD)

REF. NO.	PART NO.	DESCRIPTION	QTY		REMARKS
			C	V	
1	48600-56B70	BOX ASSY, STEERING GEAR	1	1	
2	48671-60A70	.ARM, PITMAN	1	1	
3	08321-21208	.LOCK WASHER	1	1	
4	48674-63240	.NUT, PITMAN ARM	1	1	
5-1	48691-56B70	.TUBE, RETURN	1	1	MY97,
5-2	48691-56B71	.TUBE, RETURN	1	1	MY98,
6	01570-12353	BOLT, GEAR BOX PILOT	1	1	
7	01570-12353	BOLT	2	2	
8	48775-60A00	BOLT, STOPPER	2	2	
9	08310-00103	NUT	2	2	
10	48721-60A00	ARM, IDLER	1	1	
11	48771-60A00	WASHER, IDLER ARM UPPER	1	1	
12	48750-60A00	BUSHING, IDLER ARM	1	1	
13	09160-12079	WASHER (12.2X40X2.6)	1	1	
14	08321A31123	LOCK WASHER	1	1	
15	08310-00123	NUT	1	1	
16	48760-60A01	BRACKET, IDLER ARM	1	1	
17	01500-10203	BOLT	3	3	
18	48850-85C00	LINK ASSY, STEERING CENTER	1	1	
19	08314-40123	NUT	2	2	
20	04111-30208	COTTER PIN	2	2	
21	48810-85C00	END, STEERING TIE ROD	2	2	
22	48814-85C00	.SEAL, DUST	2	2	
23	09401-27402	.CLIP, DUST SEAL	2	2	
24	09140-16022	NUT, TIE ROD END	2	2	
25	48836-85C00	CONNECTOR, TIE ROD END	2	2	
26	09140-16023	NUT, TIE ROD END	2	2	
27	48820-85C00	END, STEERING TIE ROD	2	2	
28	48814-85C00	.SEAL, DUST	2	2	
29	09401-27402	.CLIP, DUST SEAL	2	2	
30	08314-40123	NUT	4	4	
31	04111-30208	COTTER PIN	4	4	

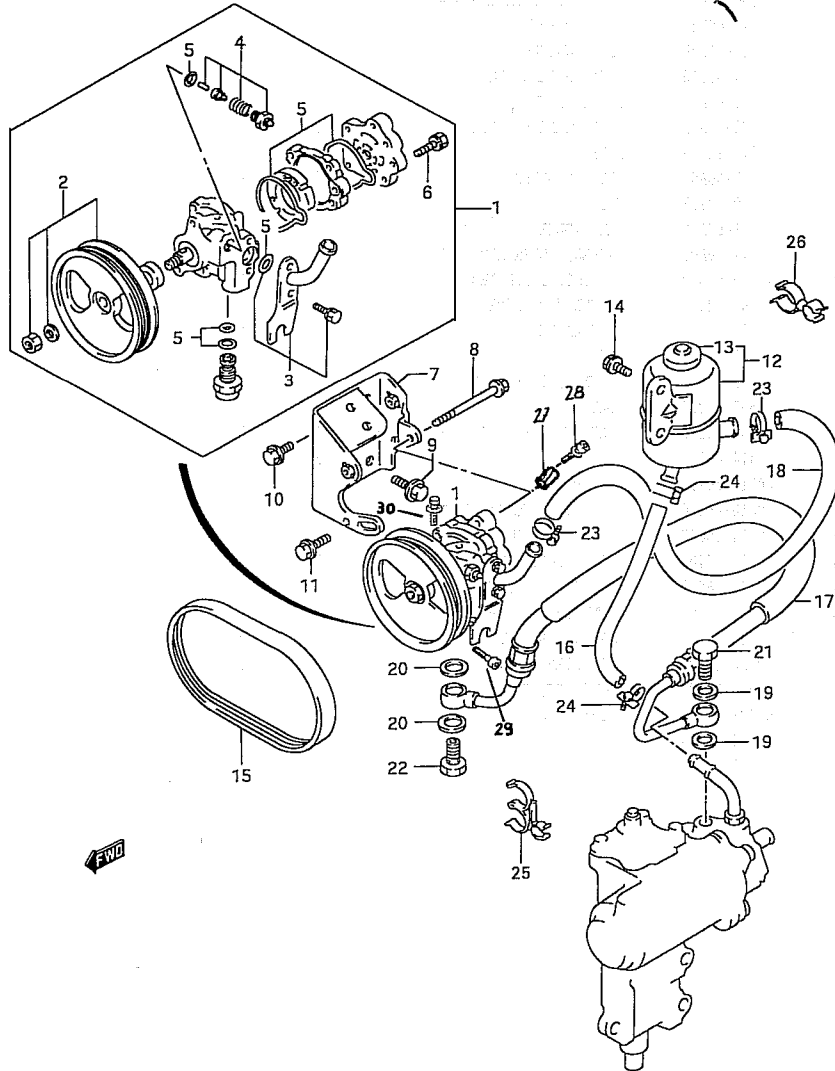
# FIG. 116

## FIG 116. STEERING LINK AND GEAR BOX (RHD)

REF. NO.	PART NO.	DESCRIPTION	QTY		REMARKS
			C	V	
1	48600-60A22	BOX ASSY, STEERING GEAR	1	1	
2	48671-60A20	.ARM, PITMAN	1	1	
3	08321-21208	.LOCK WASHER	1	1	
4	48674-63240	.NUT, PITMAN ARM	1	1	
5	48691-60A21	.TUBE, RETURN	1	1	
6	01570-12353	BOLT, GEAR BOX PILOT	1	1	
7	01570-12353	BOLT	2	2	
8	48775-60A00	BOLT, STOPPER	2	2	
9	08310-00103	NUT	2	2	
10	48721-60A00	ARM, IDLER	1	1	
11	48771-60A00	WASHER, IDLER ARM UPPER	1	1	
12	48750-60A00	BUSHING, IDLER ARM	1	1	
13	09160-12079	WASHER (12.2X40X2.6)	1	1	
14	08321A31123	LOCK WASHER	1	1	
15	08310-00123	NUT	1	1	
16	48760-60A01	BRACKET, IDLER ARM	1	1	
17	01500-10203	BOLT	3	3	
18	48850-85C00	LINK ASSY, STEERING CENTER	1	1	
19	08314-40123	NUT	2	2	
20	04111-30208	COTTER PIN	2	2	
21	48810-85C00	END, STEERING TIE ROD	2	2	
22	48814-85C00	.SEAL SET, DUST	2	2	
23	09401-27402	.CLIP, DUST SEAL	2	2	
24	09140-16022	NUT, TIE ROD END	2	2	
25	48836-85C00	CONNECTOR, TIE ROD END	2	2	
26	09140-16023	NUT, TIE ROD END	2	2	
27	48820-85C00	END, STEERING TIE ROD	2	2	
28	48814-85C00	.SEAL SET, DUST	2	2	
29	09401-27402	.CLIP, DUST SEAL	2	2	
30	08314-40123	NUT	4	4	
31	04111-30208	COTTER PIN	4	4	



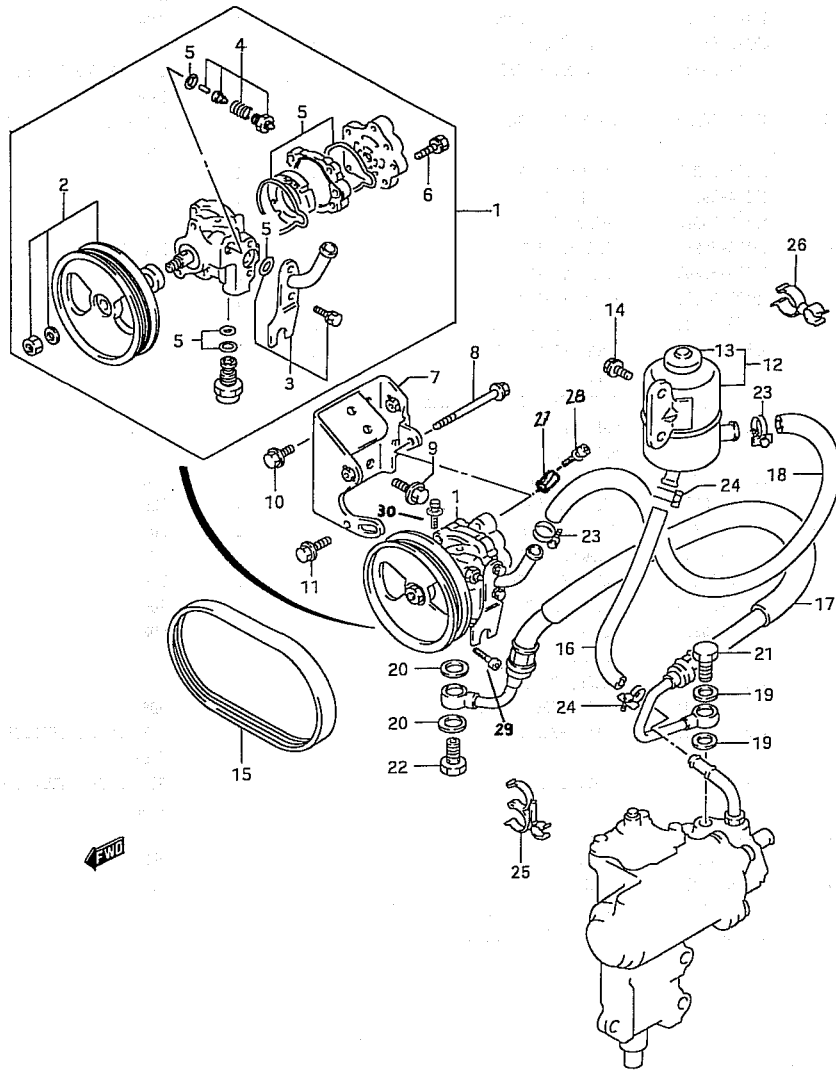
# FIG. 117



# FIG 117. POWER STEERING OIL PUMP (LHD)

REF. NO.	PART NO.	DESCRIPTION	C	Q' TY	V	REMARKS
1-1	49100-56B20	PUMP ASSY, POWER STEERING	1	1		PETROL:MY97
1-2	49100-56B21	PUMP ASSY, POWER STEERING	1	1		PETROL:MY98
1-3	49100-86CC0	PUMP ASSY, POWER STEERING	1	1		T. DIESEL
2	49111-56B20	.PULLEY SET	1	1		
3-1	49112-56B20	.CONNECTOR SET	1	1		SEE SERVICE BULLETIN I-SE
3-2	49112-56BA0	.CONNECTOR SET	1	1		SEE SERVICE BULLETIN I-SE
4	49113-56B20	.TERMINAL SET	1	1		
5	49114-56B20	.SEAL SET	1	1		
6	49115-56B20	.BOLT SET	1	1		
7-1	49120-56B12	BRACKET, PUMP	1	1		2 VALVE
7-2	49120-56B00	BRACKET, PUMP	1	1		4 VALVE
8-1	09103-08132	BOLT, PUMP (8X100)	1	1		SEE SERVICE BULLETIN I-SE
8-2	00073-85C00	BOLT, PUMP (8X105)	1	1		SEE SERVICE BULLETIN I-SE
9	01550-10203	BOLT, BRACKET NO.1	2	2		
10	01550-08203	BOLT, PUMP HOLDER	1	1		
11	01550-08203	BOLT, BRACKET NO.2	1	1		
12	49140-56B00	TANK ASSY, POWER STEERING OIL	1	1		
13	49141-60A00	.CAP, TANK	1	1		
14	01550-06123	BOLT, TANK	2	2		
15	17521-85C00	BELT, POWER STEERING	1	1		N/AIR CON
16	49211-60A70	HOSE, RETURN	1	1		
17-1	49230-79E00	HOSE, PRESSURE	1	1		SEE SERVICE BULLETIN I-SE
17-2	49230-79E01	HOSE, PRESSURE	1	1		SEE SERVICE BULLETIN I-SE
18	49214-56B00	HOSE, SUCTION	1	1		
19	09168-14009	GASKET, GEAR BOX (14X18X1.5)	2	2		
20	09168-16002	GASKET, POWER STRG PUMP	2	2		
21	49251-85C00	BOLT, UNION GEAR BOX	1	1		
22	49252-85C00	BOLT, UNION PUMP	1	1		
23	09400-24301	CLAMP, SUCTION	2	2		
24	49253-85C00	CLAMP, RETURN	2	2		
25	09408-00126	CLAMP	1	1		
26	09408-00176	CLAMP	1	1		MY97
27	45070-86CA0	PIN	2	2		1.9 T. DIESEL

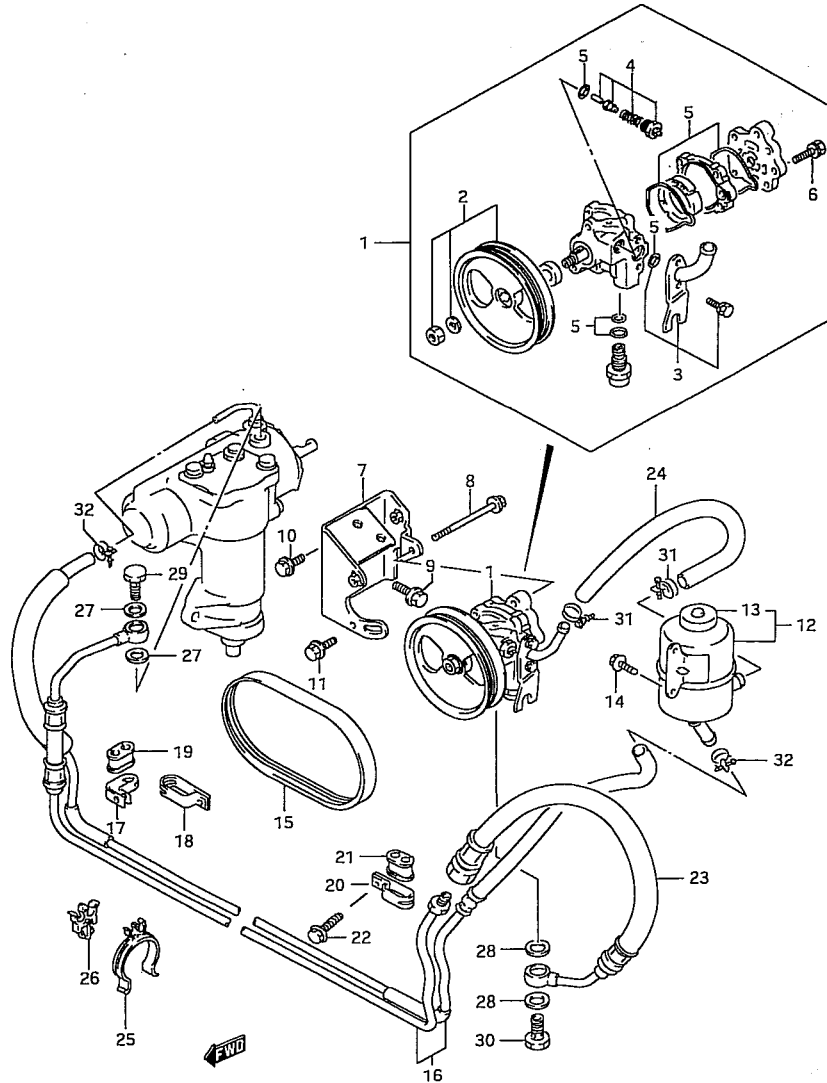
# FIG. 117



## FIG 117. POWER STEERING OIL PUMP (LHD)

REF. NO.	PART NO.	DESCRIPTION	Q' TY		REMARKS
			C	V	
28	00059-86CA0	SCREW	1	1	1.9 T. DIESEL
29	00058-86CA0	AXLE SCREW	1	1	1.9 T. DIESEL
30	00060-86CA0	SCREW	1	1	1.9 T. DIESEL

# FIG. 118



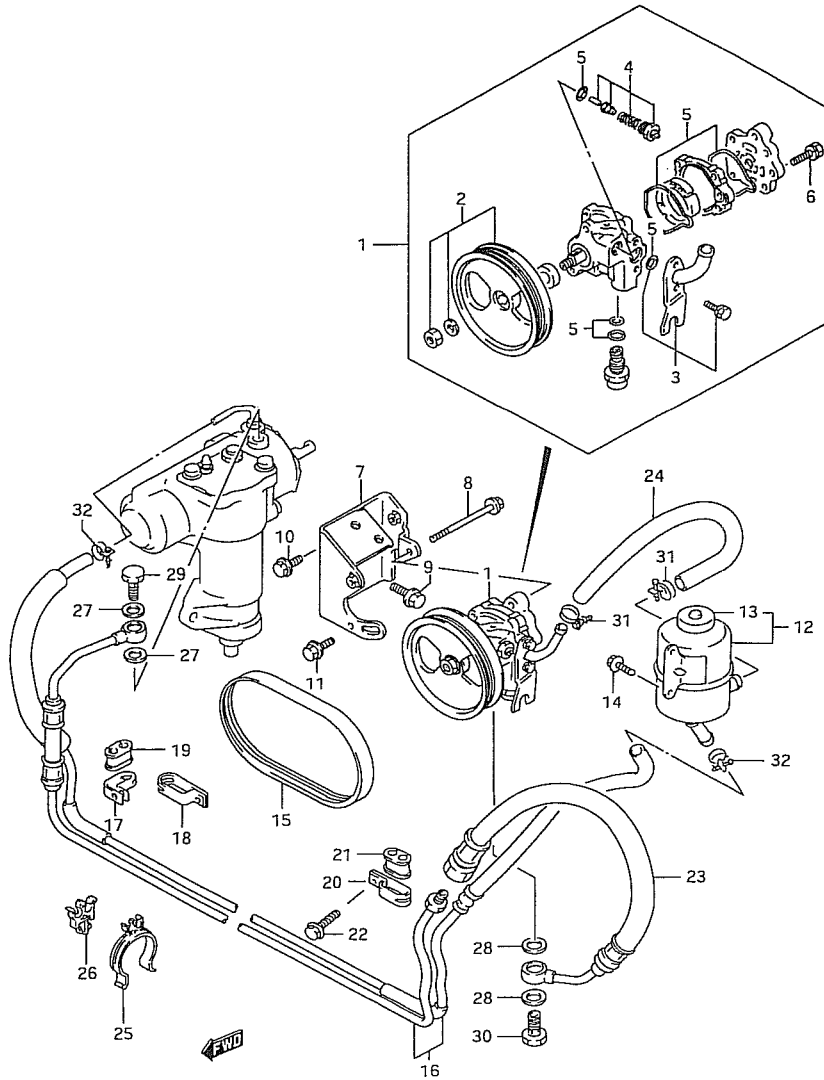
# FIG 118. POWER STEERING OIL PUMP (RHD)

REF. NO.	PART NO.	DESCRIPTION	C	Q' TY	V	REMARKS
1-1	49100-56B20	PUMP ASSY, POWER STEERING	1	1		MY97,
1-2	49100-56B21	PUMP ASSY, POWER STEERING	1	1		MY98,
2	49111-56B20	.PULLEY SET	1	1		
3-1	49112-56B20	.CONNECTOR SET	1	1		SEE SERVICE BULLETIN I-SE
3-2	49112-56BA0	.CONNECTOR SET	1	1		SEE SERVICE BULLETIN I-SE
4	49113-56B20	.TERMINAL SET	1	1		
5	49114-56B20	.SEAL SET	1	1		
6	49115-56B20	.BOLT SET	1	1		
7-1	49120-56B12	BRACKET, PUMP	1	1		2 VALVE
7-2	49120-56B00	BRACKET, PUMP	1	1		4 VALVE
8	09103-08132	BOLT, PUMP (8X100)	1	1		
9	01550-10203	BOLT, BRACKET NO.1	2	2		
10	01550-08203	BOLT, BRACKET NO.2	1	1		
11	01550-08203	BOLT	1	1		
12	49140-56B00	TANK ASSY, POWER STEERING OIL	1	1		
13	49141-60A00	CAP, TANK	1	1		
14	01550-06123	BOLT, TANK	2	2		
15	17521-85C00	BELT, POWER STEERING	1	1		N/AIR CON
16-1	49200-60A21	HOSE, RETURN	1	1		3DR
16-2	49200-56B10	HOSE, RETURN	-	1		5DR
17	49222-60A00	.BRACKET, PIPE	1	1		3DR
18	49226-56B00	.BRACKET, PIPE	-	1		5DR
19-1	49224-60A00	.BUSH, PIPE	1	1		3DR
19-2	49227-56B00	.BUSH, PIPE	-	1		5DR
20	49223-60A00	.BRACKET, PIPE	1	1		
21	49224-60A00	.BUSH, PIPE	1	1		
22	01550-08203	BOLT, PIPE BRACKET	-	2		5DR
23-1	49210-56B20	HOSE, PRESSURE	1	1		SEE SERVICE BULLETIN I-SE
23-2	49210-56B21	HOSE, PRESSURE	1	1		SEE SERVICE BULLETIN I-SE
24	49214-56B00	HOSE, SUCTION	1	1		
25	49225-60A00	CLAMP, PIPE	2	2		3DR
26	49225-56B00	CLAMP, PIPE	-	2		5DR
27	09168-14009	GASKET, GEAR BOX (14X18X1.5)	2	2		
28	09168-16002	GASKET, POWER STRG PUMP	2	2		

# FIG. 118

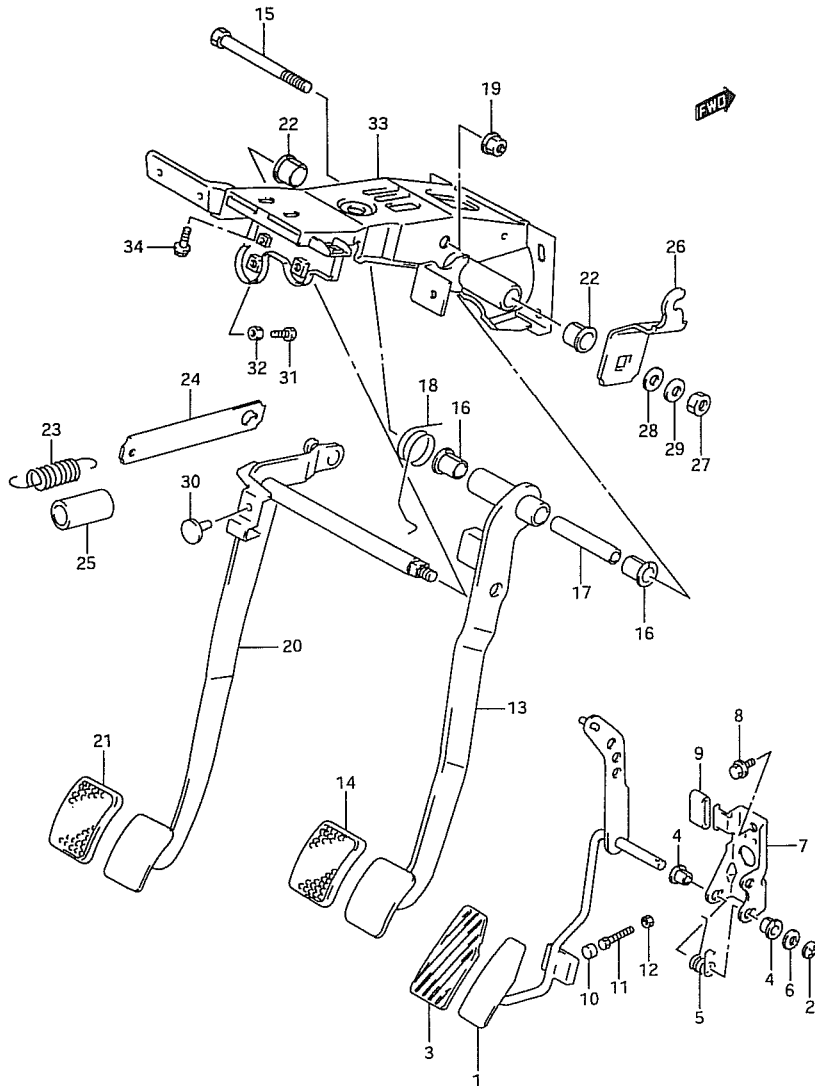
## FIG 118. POWER STEERING OIL PUMP (RHD)

REF. NO.	PART NO.	DESCRIPTION	Q' TY		REMARKS
			C	V	
29	49251-85C00	BOLT, UNION GEAR BOX	1	1	
30	49252-85C00	BOLT, UNION PUMP	1	1	
31	09400-24301	CLAMP, SUCTION	2	2	
32	49253-85C00	CLAMP, RETURN	2	2	





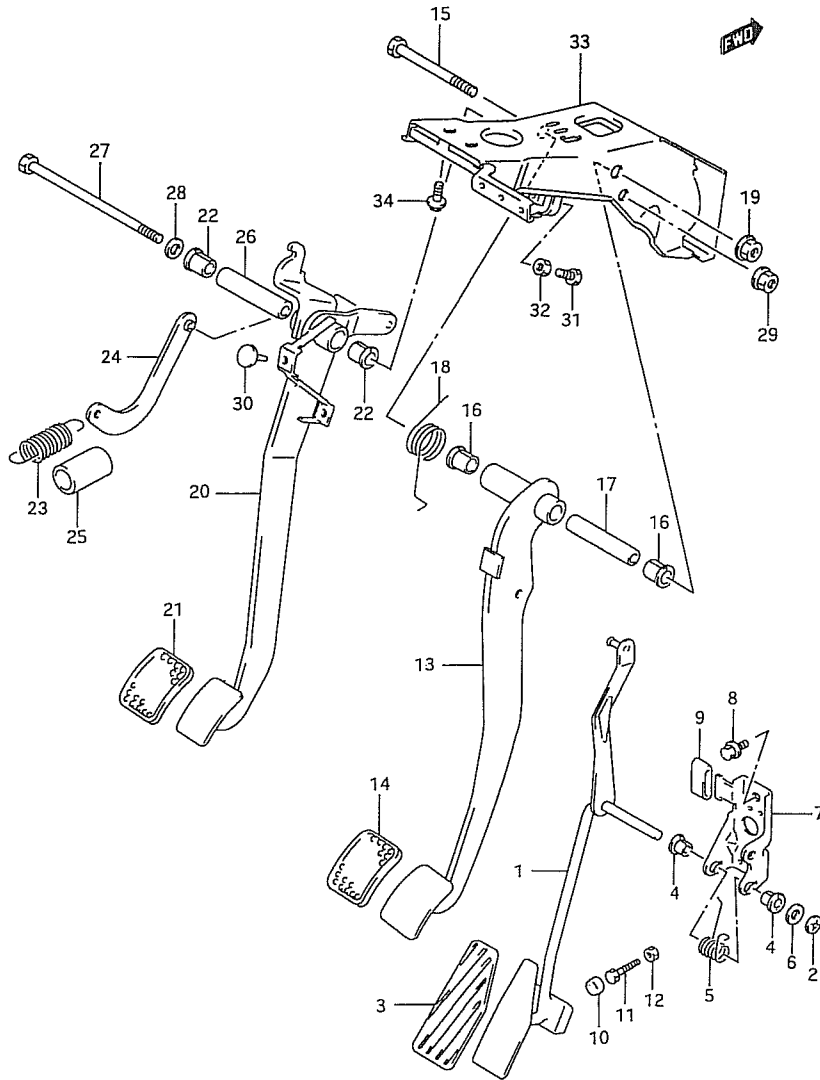
# FIG. 119



## FIG 119. PEDAL AND PEDAL BRACKET (MT: LHD)

REF. NO.	PART NO.	DESCRIPTION	Q' TY		REMARKS
			C	V	
1	49410-62A51	PEDAL SET, ACCELERATOR	1	1	
2	49481-85C00	NUT, PUSH	1	1	
3	49451-60B00	PAD, ACCELERATOR PEDAL	1	1	
4	09307-09001	BUSH, PEDAL SHAFT	2	2	
5	09448-21003	SPRING, PEDAL RETURN	1	1	
6-1	09160-09007	WASHER, PEDAL SHAFT (9.5X20X1)	1	1	MY97,
6-2	09160-09016	WASHER, PEDAL SHAFT (9.5X20X1)	1	1	MY98,
7	49511-60A00	BRACKET, ACCELERATOR	1	1	
8	01550-06123	BOLT, BRACKET (6X10)	2	2	
9	49416-60A00	CUSHION, PEDAL RETURN	1	1	
10	09251-09002	CUSHION, PEDAL STOPPER	1	1	
11	09100-06150	BOLT, PEDAL STOPPER (6X31)	1	1	
12	08316-10063	NUT	1	1	
13	49610-62A51	PEDAL, BRAKE	1	1	
14	49751-79001	PAD, PEDAL	1	1	
15	09100-10226	BOLT, PEDAL SHAFT (10X96)	1	1	
16	09306-13004	BUSH, PEDAL SHAFT	2	2	
17	09180-10121	SPACER, PEDAL (10.1X13X81)	1	1	
18	49691-62A00	SPRING, PEDAL RETURN	1	1	
19	08316-20103	NUT, PEDAL	1	1	
20	49810-62A52	PEDAL, CLUTCH	1	1	
21	49751-79001	PAD, PEDAL	1	1	
22	09306-13004	BUSHING, PEDAL SHAFT	2	2	
23	49818-77500	SPRING, CLUTCH PEDAL	1	1	
24	49831-62A50	ARM, RETURN SPRING	1	1	
25	49821-77500	TUBE, RETURN SPRING	1	1	
26	49821-62A51	LEVER, CLUTCH PEDAL	1	1	
27	08310-00103	NUT, PEDAL LEVER	1	1	
28	08322-11103	WASHER, PEDAL LEVER	1	1	
29	08321A31103	LOCK WASHER	1	1	
30	09321-06026	CUSHION, PEDAL RETURN	1	1	
31	09100-06088	BOLT, RETURN STOP (6X30)	1	1	
32	08316-10063	NUT, RETURN STOP	1	1	
33	49710-62A53	BRACKET, PEDAL	1	1	
34-1	01550-08203	BOLT, BRACKET	2	2	MY97
34-2	01580-08203	BOLT, BRACKET	3	3	MY98

# FIG. 120



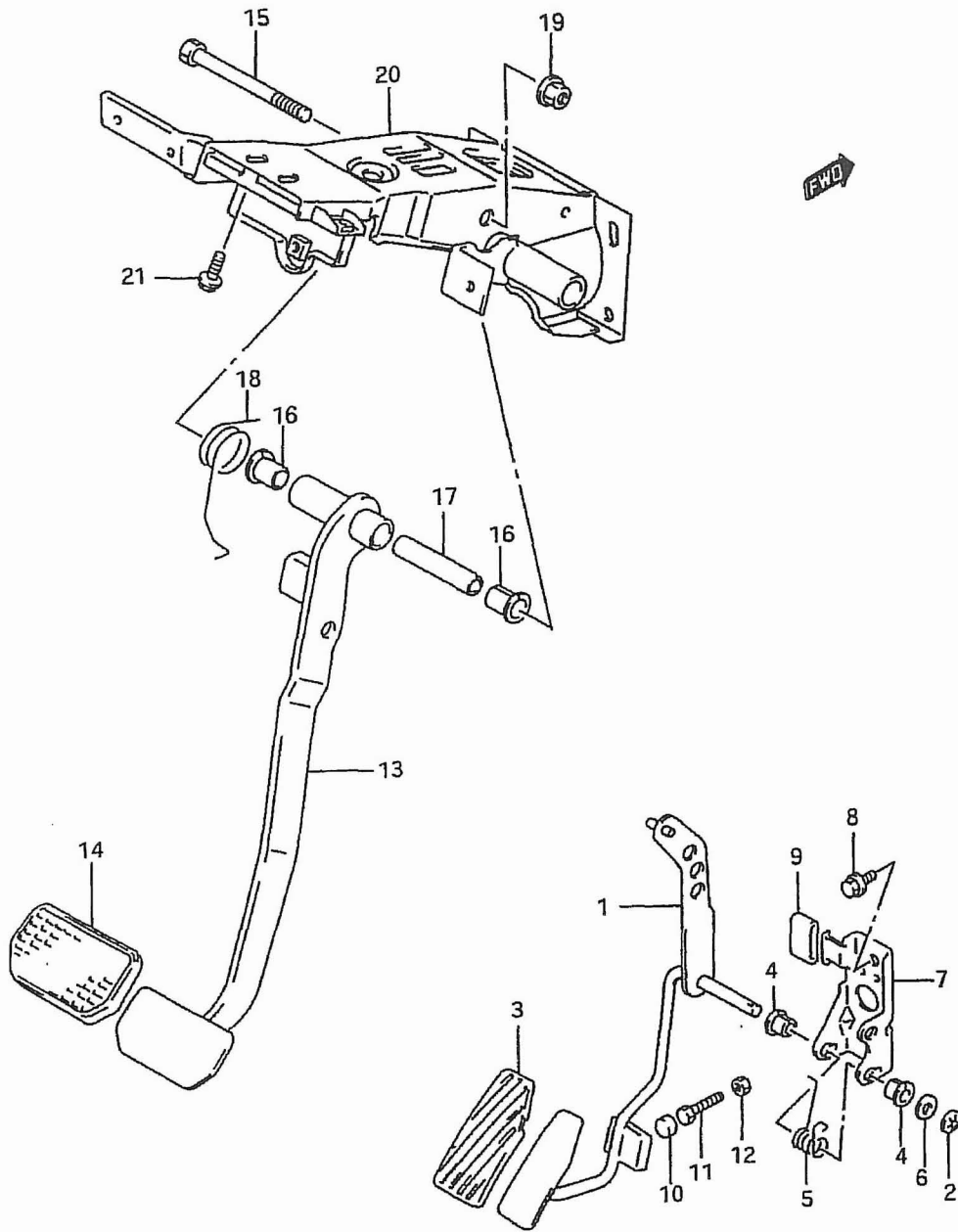
# FIG 120. PEDAL AND PEDAL BRACKET (MT: RHD)

REF. NO.	PART NO.	DESCRIPTION	C	Q' TY	V	REMARKS
1	49410-62A01	PEDAL SET, ACCELERATOR	1	1		
2	49481-85C00	NUT, PUSH	1	1		
3	49451-60B00	PAD, ACCELERATOR PEDAL	1	1		
4	09307-09001	BUSH, PEDAL SHAFT	2	2		
5	09448-21003	SPRING, PEDAL RETURN	1	1		
6-1	09160-09007	WASHER, PEDAL SHAFT (9.5X20X1)	1	1		MY97,
6-2	09160-09016	WASHER, PEDAL SHAFT (9.5X20X1)	1	1		MY98,
7	49511-60A00	BRACKET, ACCELERATOR	1	1		
8	01550-06123	BOLT, BRACKET	2	2		
9	49416-60A00	CUSHION, PEDAL RETURN	1	1		
10	09251-09002	CUSHION, PEDAL STOPPER	1	1		
11	09100-06150	BOLT, PEDAL STOPPER (6X31)	1	1		
12	08316-10063	NUT, PEDAL STOPPER	1	1		
13	49610-62A00	PEDAL, BRAKE	1	1		
14	49751-79001	PAD, PEDAL	1	1		
15	09100-10226	BOLT, PEDAL SHAFT (10X96)	1	1		
16	09306-13004	BUSH, PEDAL SHAFT	2	2		
17	09180-10121	SPACER, PEDAL (10.1X13X81)	1	1		
18	49691-62A00	SPRING, PEDAL RETURN	1	1		
19	08316-20103	NUT, PEDAL	1	1		
20	49810-62A01	PEDAL, CLUTCH	1	1		
21	49751-79001	PAD, PEDAL	1	1		
22	09306-13004	BUSHING, PEDAL SHAFT	2	2		
23	49818-77500	SPRING, CLUTCH PEDAL	1	1		
24	49831-62A00	ARM, RETURN SPRING	1	1		
25	49821-77500	TUBE, RETURN SPRING	1	1		
26	09180-10135	SPACER, CLUTCH PEDAL SHAFT	1	1		(10X13X40.4)
27	09103-10122	BOLT, PEDAL SHAFT (6X30)	1	1		
28	08322-11103	WASHER, ARM	1	1		
29	08316-20103	NUT, PEDAL	1	1		
30	09321-06026	CUSHION, PEDAL RETURN	1	1		
31	09100-06088	BOLT, RETURN STOP (6X30)	1	1		
32	08316-10063	NUT, RETURN STOP	1	1		
33	49710-62A01	BRACKET, PEDAL	1	1		
34-2	01550-08203	BOLT, BRACKET	2	2		MY97
34-2	01580-08203	BOLT, BRACKET	2	2		MY98

# FIG. 121

## FIG 121. PEDAL AND PEDAL BRACKET (AT: LHD)

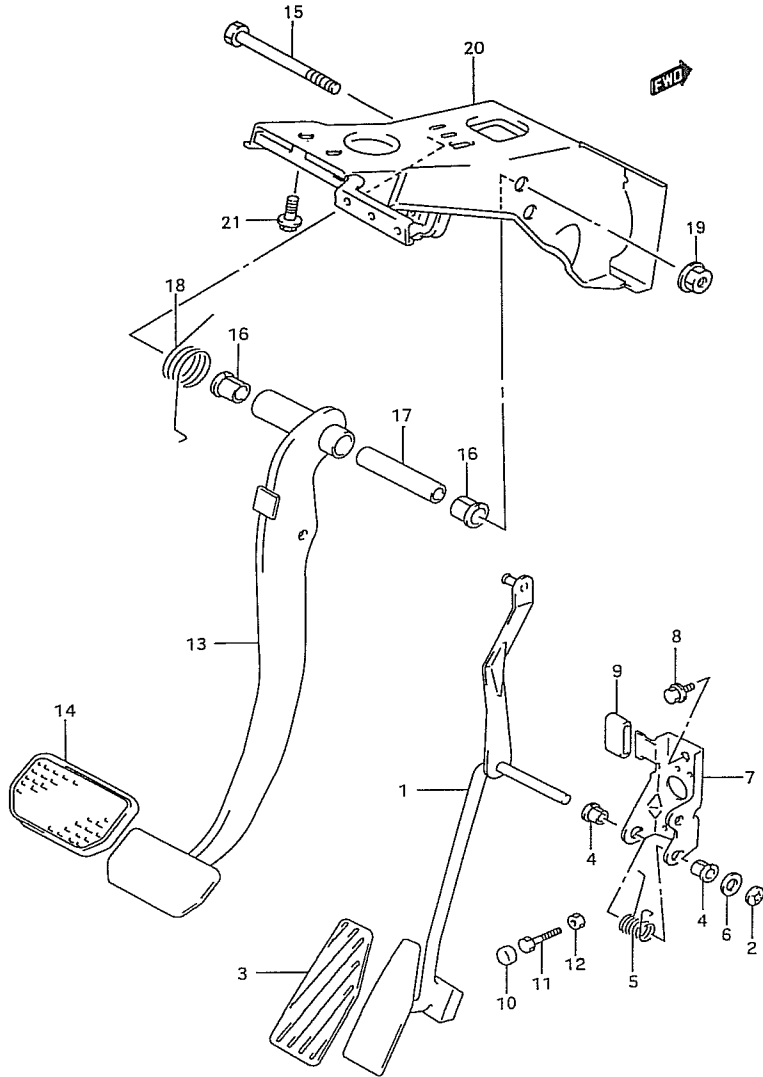
REF. NO.	PART NO.	DESCRIPTION	Q' TY		REMARKS
			C	V	
1	49410-62A51	PEDAL, ACCELERATOR	1	1	
2	49481-85C00	NUT, PUSH	1	1	
3	49451-60B00	PAD, ACCELERATOR PEDAL	1	1	
4	09307-09001	BUSH, PEDAL SHAFT	2	2	
5	09448-21003	SPRING, PEDAL RETURN	1	1	
6-1	09160-09007	WASHER, PEDAL SHAFT (9.5X20X1)	1	1	MY97,
6-2	09160-09016	WASHER, PEDAL SHAFT (9.5X20X1)	1	1	MY98,
7	49511-60A00	BRACKET, ACCELERATOR	1	1	
8	01550-06123	BOLT, BRACKET	2	2	
9	49416-60A00	CUSHION, PEDAL RETURN	1	1	
10	09251-09002	CUSHION, PEDAL STOPPER	1	1	
11	09100-06150	BOLT, PEDAL STOPPER (6X31)	1	1	
12	08316-10063	NUT	1	1	
13	49610-62A62	PEDAL, BRAKE	1	1	
14	49751-86300	PAD, PEDAL	1	1	
15	09100-10226	BOLT, PEDAL SHAFT (10X96)	1	1	
16	09306-13004	BUSH, PEDAL SHAFT	2	2	
17	09180-10121	SPACER, PEDAL (10.1X13X81)	1	1	
18	49691-62A00	SPRING, PEDAL RETURN	1	1	
19	08316-20103	NUT, PEDAL	1	1	
20	49710-62A63	BRACKET, PEDAL	1	1	
21-1	01550-08203	BOLT, BRACKET	2	2	MY97
21-2	01580-08203	BOLT, BRACKET	3	3	MY98



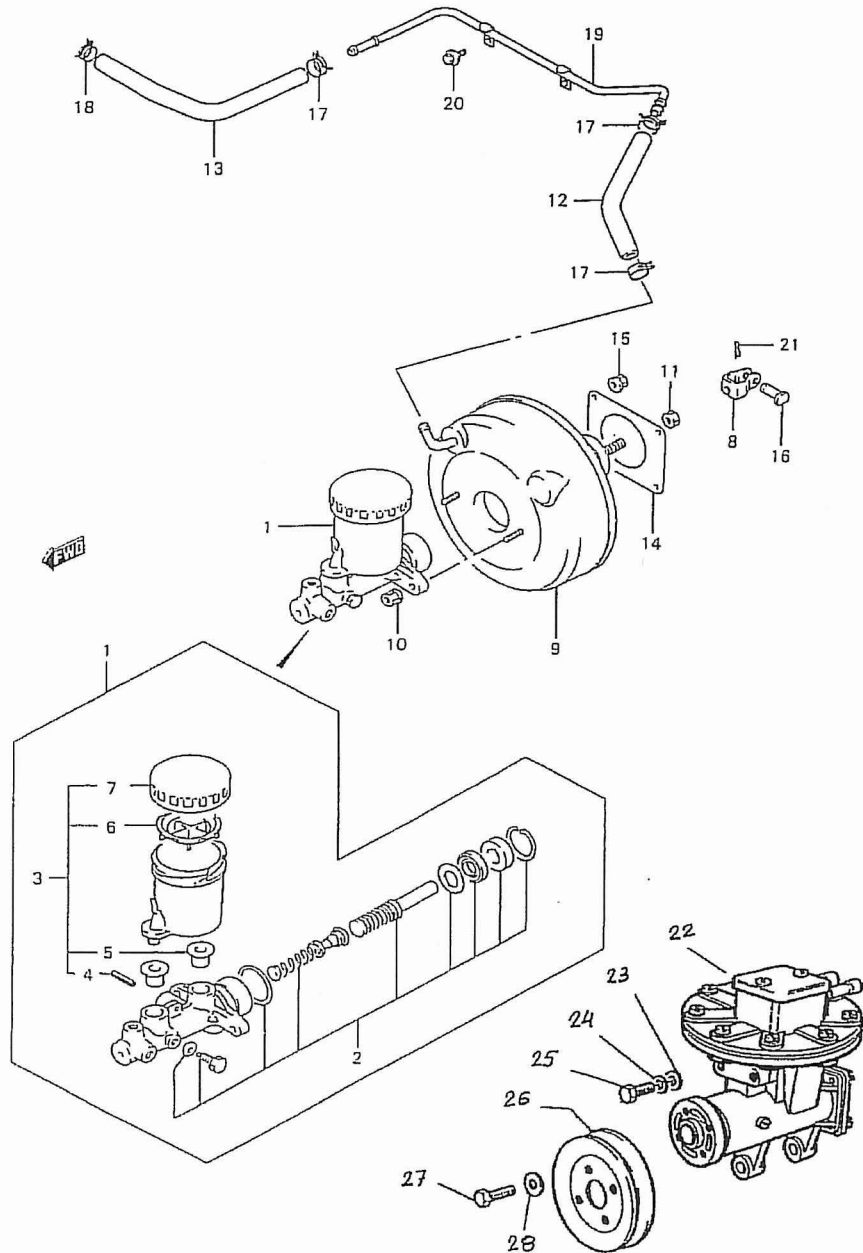
# FIG. 122

# FIG 122. PEDAL AND PEDAL BRACKET (AT: RHD)

REF. NO.	PART NO.	DESCRIPTION	Q' TY		REMARKS
			C	V	
1	49410-62A01	PEDAL, ACCELERATOR	1	1	
2	49481-85C00	NUT, PUSH	1	1	
3	49451-60B00	PAD, ACCELERATOR PEDAL	1	1	
4	09307-09001	BUSH, PEDAL SHAFT	2	2	
5	09448-21003	SPRING, PEDAL RETURN	1	1	
6-1	09160-09007	WASHER, PEDAL SHAFT (9.5X20X1)	1	1	MY97,
6-2	09160-09016	WASHER, PEDAL SHAFT (9.5X20X1)	1	1	MY98,
7	49511-60A00	BRACKET, ACCELERATOR	1	1	
8	01550-06123	BOLT, BRACKET (6X10)	2	2	
9	49416-60A00	CUSHION, PEDAL RETURN	1	1	
10	09251-09002	CUSHION, PEDAL STOPPER	1	1	
11	09100-06150	BOLT, PEDAL STOPPER (6X31)	1	1	
12	08316-10063	NUT, PEDAL STOPPER	1	1	
13	49610-62A10	PEDAL, BRAKE	1	1	
14	49751-86300	PAD, PEDAL	1	1	
15	09100-10226	BOLT, PEDAL SHAFT (10X96)	1	1	
16	09306-13004	BUSH, PEDAL SHAFT	2	2	
17	09180-10121	SPACER, PEDAL (10.1X13X81)	1	1	
18	49691-62A00	SPRING, PEDAL RETURN	1	1	
19	08316-20103	NUT, PEDAL	1	1	
20	49710-62A11	BRACKET, PEDAL	1	1	
21-1	01550-08203	BOLT, BRACKET	2	2	MY97
21-2	01580-08203	BOLT, BRACKET	2	2	MY98



# FIG. 123

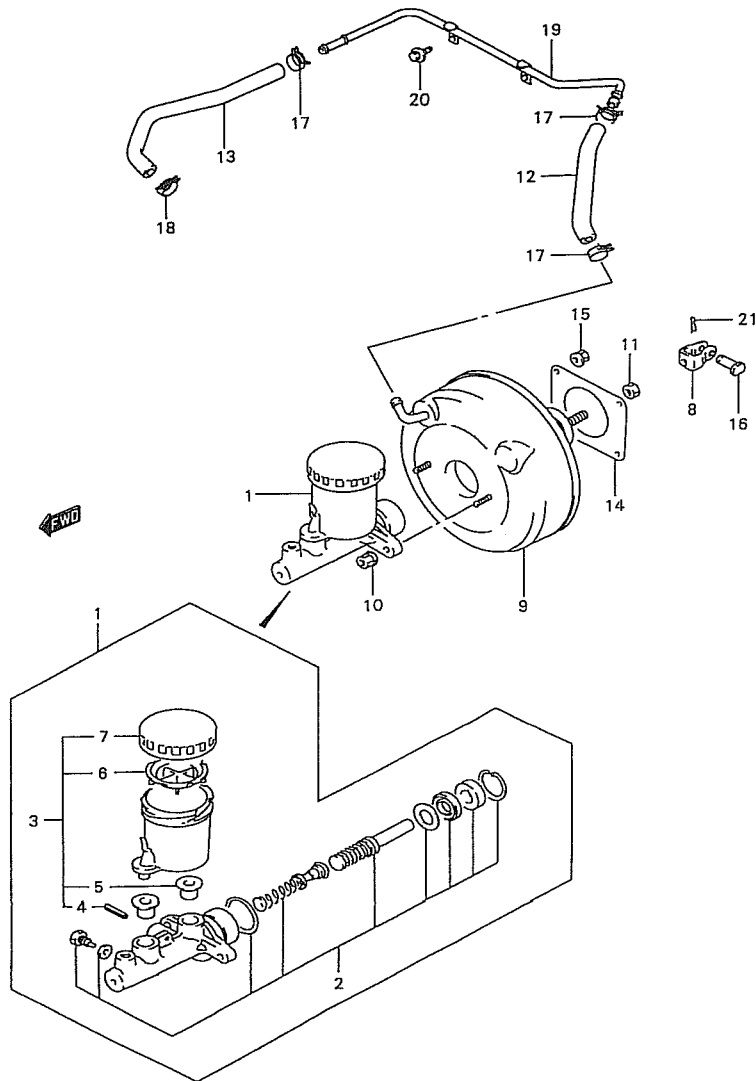


## FIG 123. BK MASTER CYLINDER (LHD: 2 VALVE)

REF. NO.	PART NO.	DESCRIPTION	Q' TY		REMARKS
			C	V	
1	51100-56B10	CYLINDER ASSY, BRAKE MASTER	1	1	
2	51100-70841	.PISTON SET, BRAKE MASTER	1	1	
3	51200-60A60	.RESERVOIR SET, MASTER CYL	1	1	
4	09205-05016	..PIN, RESERVOIR	1	1	
5	51197-85520	..GROMMET, RESERVOIR	2	2	
6	51234-60A20	..STRAINER, CYLINDER RESERVOIR	1	1	
7	51220-60A20	..CAP ASSY, CYLINDER RESERVOIR	1	1	
8-1	51182-60A60	CLEVIS, CYLINDER PUSH ROD	1	1	MY97,
8-2	51182-77E00	CLEVIS, CYLINDER PUSH ROD	1	1	MY98,
9	51300-60A60	BOOSTER ASSY, BRAKE MASTER	1	1	
10	08310-12083	NUT, BOOSTER	2	2	
11	09140-10019	NUT, CYLINDER PUSH ROD	1	1	
12	51020-56B40	HOSE, BRAKE VACUUM	1	1	
13-1	51831-60A01	HOSE, BRAKE VACUUM INTAKE	1	1	
13-2	51831-60A10	HOSE, BRAKE VACUUM INTAKE	1	1	E21
14	51132-82003	GASKET, BRAKE MASTER BRACKET	1	1	
15	09159-08069	NUT, BRAKE MASTER CYLINDER	4	4	
16	09200-10021	PIN, BRAKE MASTER CYLINDER	1	1	
17	51911-85C00	CLAMP, BRAKE VACUUM HOSE	3	3	
18	51911-85C00	CLAMP, BK VACUUM HOSE INTAKE	1	1	
19	51380-60A11	PIPE, BRAKE VACUUM	1	1	
20	01550-06123	BOLT	2	2	
21	09385-10006	CLIP, BRAKE MASTER PIN	1	1	
22	11029-86CA0	VACCUUM PUMP	1	1	1.9 TD
23	09160-86CA8	PLATE WASHER	1	1	1.9 TD:8x22 E 2.5
24	08321-86CA1	SPRING WASHER	1	1	1.9 TD:8
25	01570-86CA6	SCREW H	1	1	1.9 TD:M8x125-16
26	45071-86CA0	VACCUUM PUM PULLEY	1	1	1.9 TD
27	01517-86CA3	SCREW H	4	4	1.9 TD:M6x100-12
28	08321-86CA0	SPRING WASHER	4	4	1.9 TD:6

# FIG. 124

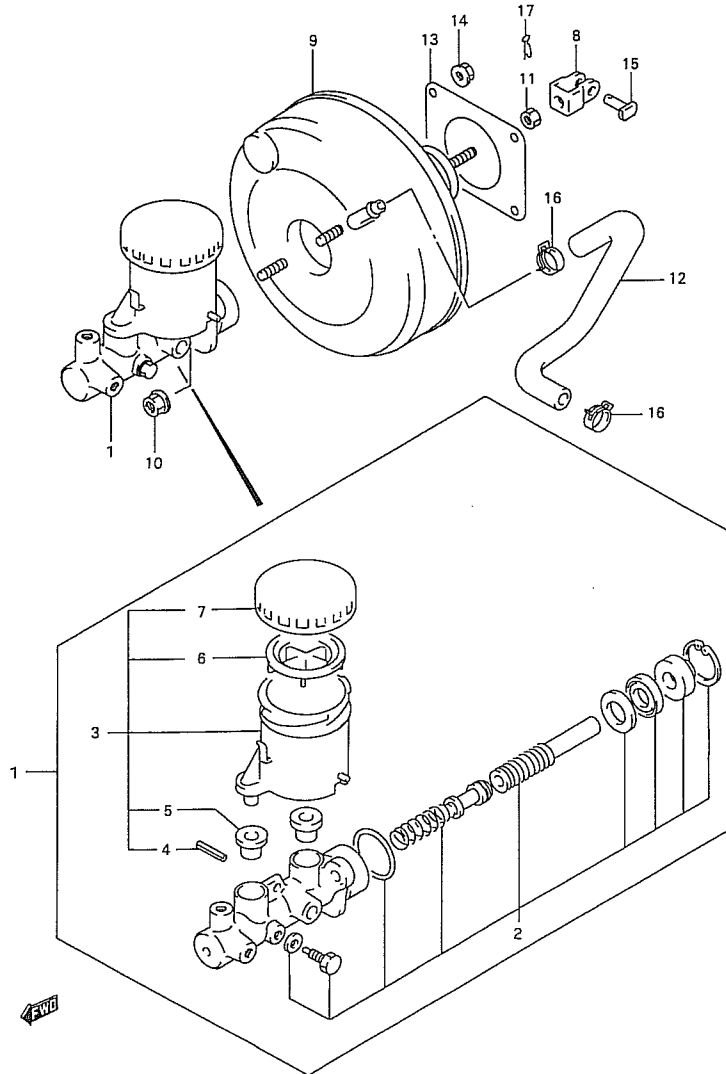
# FIG 124. BK MASTER CYLINDER (LHD: 4 VALVE)



REF. NO.	PART NO.	DESCRIPTION	Q' TY		REMARKS
			C	V	
1-1	51100-57B00	CYLINDER ASSY, BRAKE MASTER	1	1	N/ABS ,PETROL AND T.DIESE
1-2	51100-57B50	CYLINDER ASSY, BRAKE MASTER	1	1	W/ABS
2	51810-57B00	.PISTON SET, BRAKE MASTER	1	1	
3	51200-77E00	.RESERVOIR SET, MASTER CYL	1	1	
4	09205-05003	..PIN, RESERVOIR	1	1	
5	51197-85520	..GROMMET, RESERVOIR	2	2	
6	51234-60A20	..STRAINER, CYLINDER RESERVOIR	1	1	
7	51220-60A20	..CAP ASSY, CYLINDER RESERVOIR	1	1	
8-1	51182-60A60	CLEVIS, CYLINDER PUSH ROD	1	1	MY97,
8-2	51182-77E00	CLEVIS, CYLINDER PUSH ROD	1	1	MY98,
9	51300-77E00	BOOSTER ASSY, BRAKE MASTER	1	1	
10	08310-12083	NUT, BOOSTER	2	2	
11	09140-10019	NUT, CYLINDER PUSH ROD	1	1	
12	51020-58B00	HOSE, BRAKE VACUUM	1	1	
13-1	51831-57B30	HOSE, BRAKE VACUUM INTAKE	1	1	
13-2	51831-57B10	HOSE, BRAKE VACUUM INTAKE	1	1	MY98:E21
14	51132-82003	PACKING, BRAKE MASTER CYLINDER	1	1	
15	09159-08069	NUT, BRAKE MASTER CYLINDER	4	4	
16	09200-10021	PIN, BRAKE MASTER CYLINDER	1	1	
17	51911-85C00	CLAMP, BRAKE VACUUM HOSE	3	3	
18	51911-85C00	CLAMP, BK VACUUM HOSE INTAKE	1	1	
19	51380-60A11	PIPE, BRAKE VACUUM	1	1	
20	01550-06123	BOLT	2	2	
21	09385-10006	CLIP	1	1	

# FIG. 125

## FIG 125. BK MASTER CYLINDER (RHD: 2 VALVE)

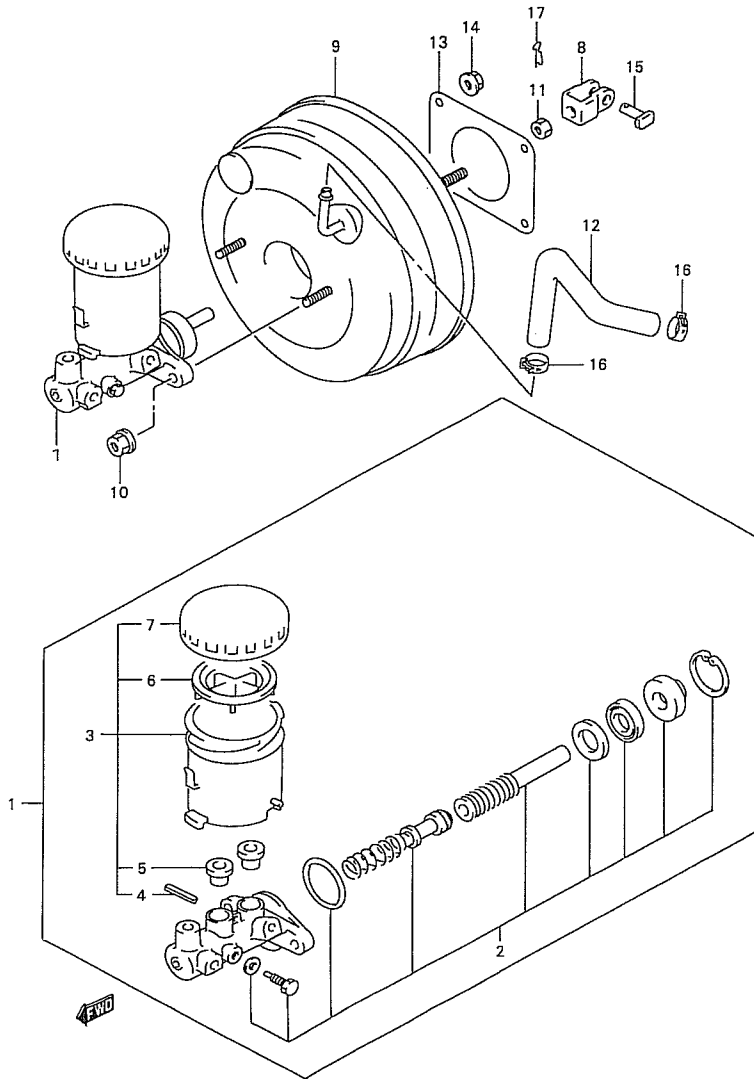


REF. NO.	PART NO.	DESCRIPTION	QTY		REMARKS
			C	V	
1	51100-56B20	CYLINDER ASSY, BRAKE MASTER	1	1	
2	51100-70841	.PISTON SET, BRAKE MASTER	1	1	
3	51200-56B00	.RESERVOIR SET, MASTER CYL	1	1	
4	09205-05016	..PIN, RESERVOIR	1	1	
5	51197-85520	..GROMMET, RESERVOIR	2	2	
6	51234-60A20	..STRAINER, CYLINDER RESERVOIR	1	1	
7	51220-60A20	..CAP ASSY, CYLINDER RESERVOIR	1	1	
8-1	51182-60A60	CLEVIS, CYLINDER PUSH ROD	1	1	MY97,
8-2	51182-77E00	CLEVIS, CYLINDER PUSH ROD	1	1	MY98,
9	51300-56B00	BOOSTER ASSY, BRAKE MASTER	1	1	
10	08310-12083	NUT, BOOSTER	2	2	
11	09140-10019	NUT, CYLINDER PUSH ROD	1	1	
12	51020-56B20	HOSE, BRAKE VACUUM INTAKE	1	1	
13	51132-82003	GASKET, BRAKE MASTER BRACKET	1	1	
14	09159-08069	NUT, BRAKE MASTER CYLINDER	4	4	
15	09200-10021	PIN, BRAKE MASTER CYLINDER	1	1	
16	51911-85C00	CLAMP, BRAKE VACUUM HOSE	2	2	
17	09385-10006	CLIP, BRAKE MASTER PIN	1	1	

# FIG. 126

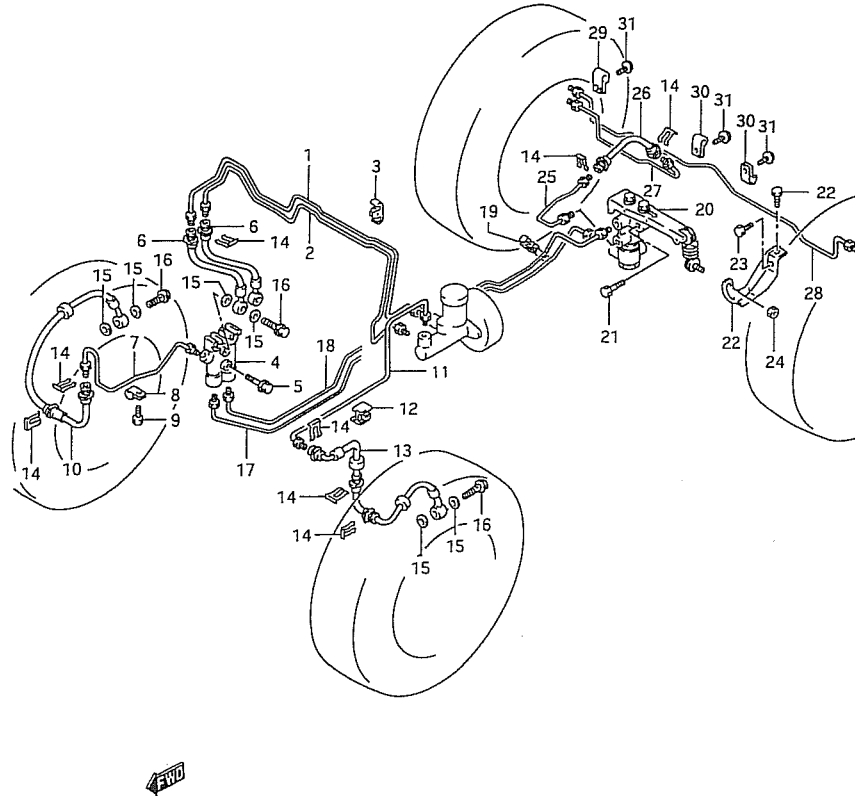
# FIG 126. BK MASTER CYLINDER (RHD: 4 VALVE)

REF. NO.	PART NO.	DESCRIPTION	Q' TY		REMARKS
			C	V	
1-1	51100-57B10	CYLINDER ASSY, BRAKE MASTER	1	1	N/ABS
1-2	51100-57B50	CYLINDER ASSY, BRAKE MASTER	1	1	W/ABS
2	51810-57B00	.PISTON SET, BRAKE MASTER	1	1	
3	51200-77E00	.RESERVOIR SET, MASTER CYL	1	1	
4	09205-05003	..PIN, RESERVOIR	1	1	
5	51197-85520	..GROMMET, RESERVOIR	2	2	
6	51234-60A20	..STRAINER, CYLINDER RESERVOIR	1	1	
7	51220-60A20	..CAP ASSY, CYLINDER RESERVOIR	1	1	
8-1	51182-60A60	CLEVIS, CYLINDER PUSH ROD	1	1	MY97,
8-2	51182-77E00	CLEVIS, CYLINDER PUSH ROD	1	1	MY98,
9	51300-77E10	BOOSTER ASSY, BRAKE MASTER	1	1	
10	08310-12083	NUT, BOOSTER	2	2	
11	09140-10019	NUT, CYLINDER PUSH ROD	1	1	
12	51010-58B30	HOSE, BRAKE VACUUM INTAKE	1	1	
13	51132-82003	GASKET, BRAKE MASTER BRACKET	1	1	
14	09159-08069	NUT, BRAKE MASTER CYLINDER	4	4	
15	09200-10021	PIN, BRAKE MASTER CYLINDER	1	1	
16	51911-85C00	CLAMP, BRAKE VACUUM HOSE	2	2	
17	09385-10006	CLIP	1	1	





# FIG. 127



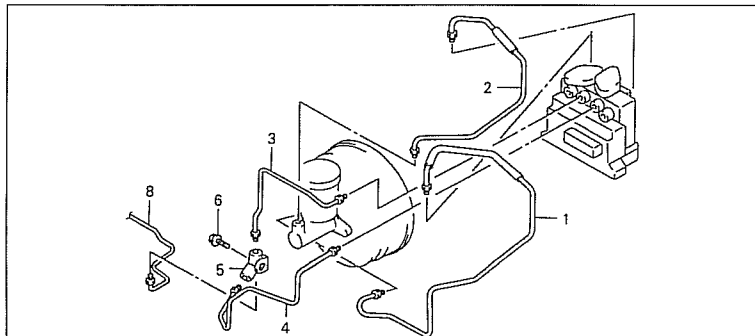
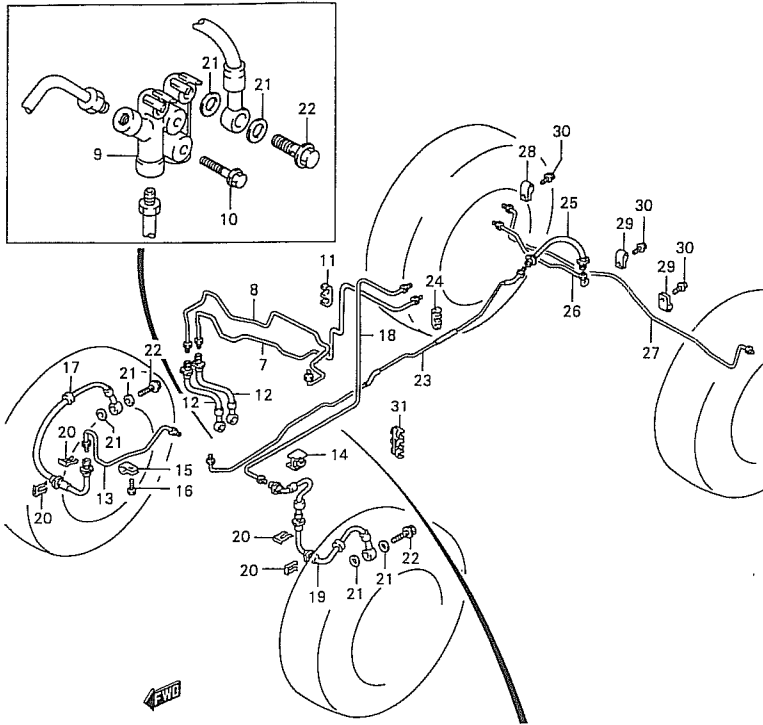
## FIG 127. BRAKE PIPING (LHD: N/ABS)

REF. NO.	PART NO.	DESCRIPTION	Q' TY		REMARKS
			C	V	
1-1	51410-85C00	PIPE, MA PRIMARY TO JOINT	1	1	2 VALVE
1-2	51410-57B00	PIPE, MA PRIMARY TO JOINT	1	1	4 VALVE
2-1	51520-85C00	PIPE, MA SECONDARY TO JOINT	1	1	2 VALVE
2-2	51520-57B00	PIPE, MA SECONDARY TO JOINT	1	1	4 VALVE
3	51751-60B00	CLAMP	3	3	
4	51640-60A30	JOINT, BRAKE 5 WAY	1	1	
5	01550-06403	BOLT	2	2	
6	51570-85C00	HOSE, MASTER CYLINDER FLEXIBLE	2	2	
7	51420-77E10	PIPE, JOINT TO BRAKE HOSE	1	1	
8	51781-85C00	CLAMP	1	1	
9	01550-06123	BOLT	1	1	
10	51540-85C00	HOSE, FRONT FLEXIBLE RH	1	1	
11-1	51430A60A60	PIPE, CYLINDER TO FR HOSE	1	1	2 VALVE
11-2	51430-57B00	PIPE, CYLINDER TO FR HOSE	1	1	4 VALVE
12	51435-60A00	CLAMP	1	1	
13	51550-85C00	HOSE, FRONT FLEXIBLE LH	1	1	
14	51593-85C00	E RING	9	9	
15	51591-85C00	GASKET, FLEXIBLE HOSE	8	8	
16	51592-85C00	BOLT	4	4	
17-1	51340-60A00	PIPE, JOINT VALVE FRONT	1	1	3DR
17-2	51340-56B20	PIPE, JOINT VALVE FRONT	-	1	5DR
18-1	51460-60A00	PIPE, JOINT TO VALVE REAR	1	1	3DR
18-2	51460-56B20	PIPE, JOINT TO VALVE REAR	-	1	5DR
19	51465-60A00	CLAMP	1	1	
20-1	51930-60A40	VALVE ASSY, LOAD SENSING PROP	1	1	3DR
20-2	51930-56B20	VALVE ASSY, LOAD SENSING PROP	-	1	5DR
21	01500-08403	BOLT	2	2	
22	51955-60A20	STAY, PROPORTIONING VALVE	1	1	
23	01550-08203	BOLT, STAY	2	2	
24	08310-10083	NUT	1	1	
25-1	51350-60A00	PIPE, VALVE TO REAR BRAKE HOSE	1	1	3DR
25-2	51350-56B20	PIPE, VALVE TO REAR BRAKE HOSE	-	1	5DR
26	51560-83031	HOSE, REAR BRAKE FLEXIBLE	1	1	
27-1	51470-60A10	PIPE, HOSE TO REAR RH BRAKE	1	1	3DR
27-2	51470-56B00	PIPE, HOSE TO REAR RH BRAKE	-	1	5DR
28-1	51480-60A11	PIPE, RH BRAKE TO LH BRAKE	1	1	3DR
28-2	51480-56B01	PIPE, RH BRAKE TO LH BRAKE	-	1	5DR
29	09403-06404	CLAMP	1	1	
30	51781-85C00	CLAMP	4	4	
31	51791-85C00	SCREW	5	5	

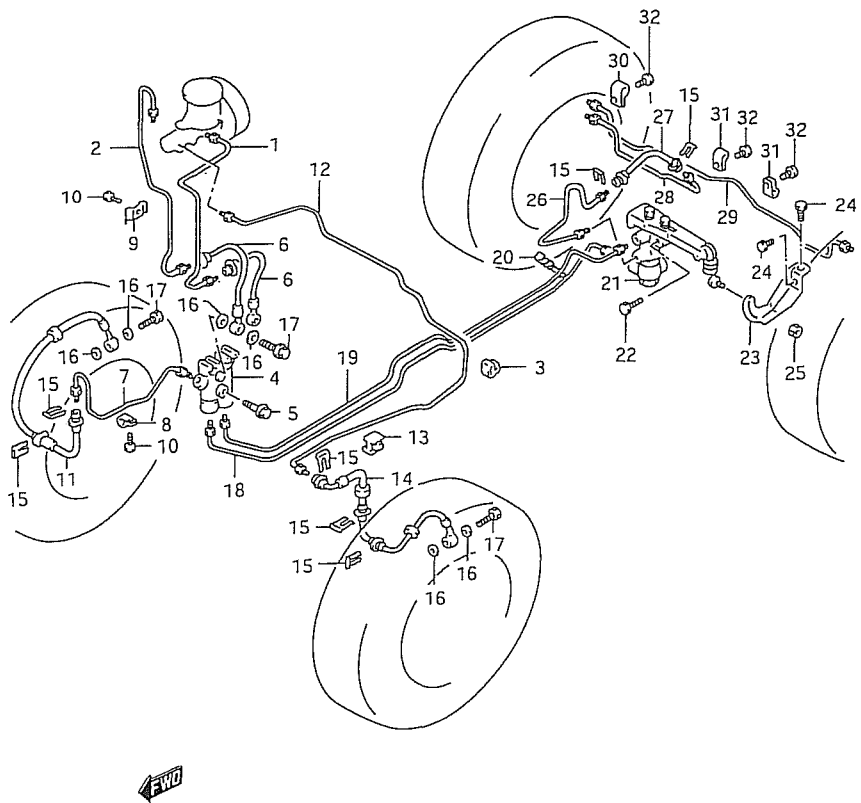
# FIG. 128

# FIG 128. BRAKE PIPING (LHD: W/ABS)

REF. NO.	PART NO.	DESCRIPTION	C	Q' TY	V	REMARKS
1	51410-57B50	PIPE, MA PRIMARY TO UNIT	1	1		
2	51520-57B50	PIPE, MA SECONDARY TO UNIT	1	1		
3	51440-57B50	PIPE, UNIT TO 3 WAY JOINT	1	1		
4	51450-57B50	PIPE, UNIT TO 3 WAY JOINT	1	1		
5	51620-60B00	JOINT, BRAKE 3 WAY	1	1		
6	01550-06253	BOLT	1	1		
7	51490-57B50	PIPE, UNIT TO 4 WAY JOINT	1	1		
8	51510-57B50	PIPE, 3 WAY JOINT TO 4 WAY JNT	1	1		
9	51640-60A60	JOINT, BRAKE 4 WAY	1	1		
10	01550-06403	BOLT	2	2		
11	51751-60B00	CLAMP	3	3		
12	51570-85C00	HOSE, MASTER CYLINDER FLEXIDLE	2	2		
13	51420-77E10	PIPE, JOINT TO BRAKE HOSE	1	1		
14	51435-60A00	CLAMP	1	1		
15	51781-85C00	CLAMP	1	1		
16	01550-06123	BOLT	1	1		
17	51540-85C00	HOSE, FRONT FLEXIBLE RH	1	1		
18	51430-57B50	PIPE, CYLINDER TO FR HOSE	1	1		
19	51550-85C00	HOSE, FRONT FLEXIBLE LH	1	1		
20	51593-85C00	E RING	9	9		
21	51591-85C00	GASKET, FLEXIBLE HOSE	8	8		
22	51592-85C00	BOLT	4	4		
23-1	51340-60A60	PIPE, JOINT TO RR BK HOSE	1	1		3DR
23-2	51460-56B60	PIPE, JOINT TO RR BK HOSE	-	1		5DR
24	51465-60A00	CLAMP	1	1		3DR
25	51560-83031	HOSE, REAR BRAKE FLEXIBLE	1	1		
26-1	51470-60A10	PIPE, HOSE TO REAR RH BRAKE	1	1		3DR
26-2	51470-56B00	PIPE, HOSE TO REAR RH BRAKE	-	1		5DR
27-1	51480-60A11	PIPE, RH BRAKE TO LH BRAKE	1	1		3DR
27-2	51480-56B01	PIPE, RH BRAKE TO LH BRAKE	-	1		5DR
28	09403-06404	CLAMP	1	1		
29	51781-85C00	CLAMP	4	4		
30	51791-85C00	SCREW, BRAKE PIPE	5	5		
31	51791-50G50	CLAMP	2	2		



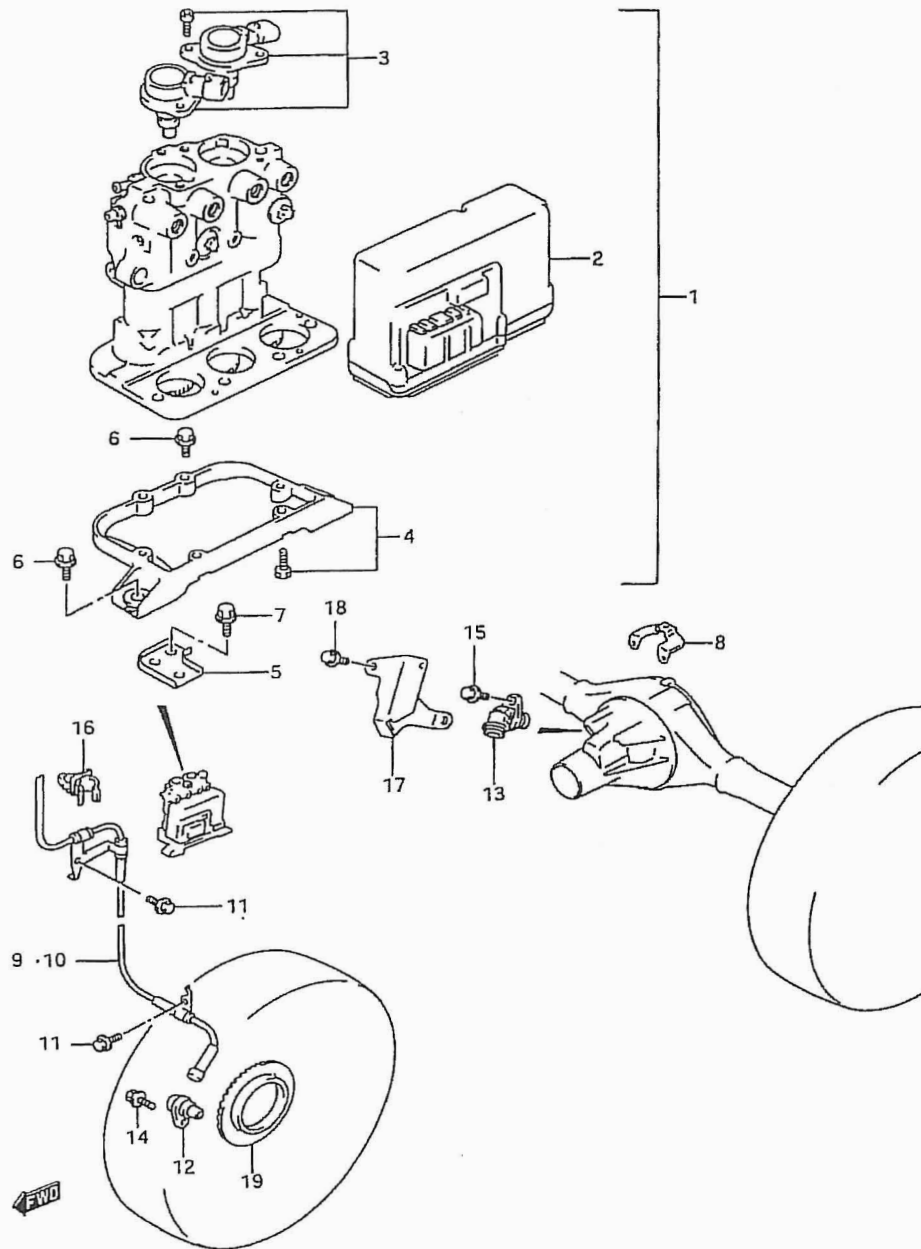
# FIG. 129



## FIG 129. BRAKE PIPING (RHD: N/ABS)

REF. NO.	PART NO.	DESCRIPTION	Q' TY		REMARKS
			C	V	
1	51410A56B00	PIPE, MA PRIMARY TO JOINT	1	1	
2	51520A56B00	PIPE, MA SECONDARY TO JOINT	1	1	
3	51752-70B00	CLAMP	3	3	
4	51640-60A30	JOINT, BRAKE 5 WAY	1	1	
5	01550-06403	BOLT	2	2	
6	51570-77E00	HOSE, MASTER CYLINDER FLEXIBLE	2	2	
7	51420-77E10	PIPE, JOINT TO BRAKE HOSE	1	1	
8-1	51781-85C00	CLAMP	1	1	2 VALVE
8-2	51781-85C00	CLAMP	2	2	4 VALVE
9	09403-07312	CLAMP	1	1	4 VALVE
10	01550-06123	BOLT	2	2	
11	51540-85C00	HOSE, FRONT FLEXIBLE RH	1	1	
12	51430A60A00	PIPE, CYLINDER TO FR HOSE	1	1	
13	51435-60A00	CLAMP	1	1	
14	51550-85C00	HOSE, FRONT FLEXIBLE LH	1	1	
15	51593-85C00	E RING	9	9	
16	51591-85C00	GASKET, FLEXIBLE HOSE	8	8	
17	51592-85C00	BOLT	4	4	
18-1	51340-60A00	PIPE, JOINT VALVE FRONT	1	1	3DR
18-2	51340-56B20	PIPE, JOINT VALVE FRONT	-	1	5DR
19-1	51460-60A00	PIPE, JOINT TO VALVE REAR	1	1	3DR
19-2	51460-56B20	PIPE, JOINT TO VALVE REAR	-	1	5DR
20	51465-60A00	CLAMP	1	1	
21-1	51930-60A20	VALVE ASSY, LOAD SENSING PROPEN	1	1	MY97,3DR
21-2	51930-60A40	VALVE ASSY, LOAD SENSING PROPEN	1	1	MY98,3DR
21-3	51930-56B20	VALVE ASSY, LOAD SWNSING PROPEN	-	1	5DR
22	01500-08403	BOLT	2	2	
23	51955-60A20	STAY, PROPORTIONING VALVE	1	1	
24	01550-08203	BOLT, STAY	2	2	
25	08310-10083	NUT	1	1	
26-1	51350-60A00	PIPE, VALVE TO REAR BRAKE HOSE	1	1	3DR
26-2	51350-56B20	PIPE, VALVE TO REAR BRAKE HOSE	-	1	5DR
27	51560-83031	HOSE, REAR BRAKE FLEXIBLE	1	1	
28-1	51470-60A10	PIPE, HOSE TO REAR RH BRAKE	1	1	3DR
28-2	51470-56B00	PIPE, HOSE TO REAR RH BRAKE	-	1	5DR
29-1	51480-60A11	PIPE, RH BRAKE TO LH BRAKE	1	1	3DR
29-2	51480-56B01	PIPE, RH BRAKE TO LH BRAKE	-	1	5DR
30	09403-06404	CLAMP	1	1	
31	51781-85C00	CLAMP	4	4	
32	51791-85C00	SCREW	5	5	

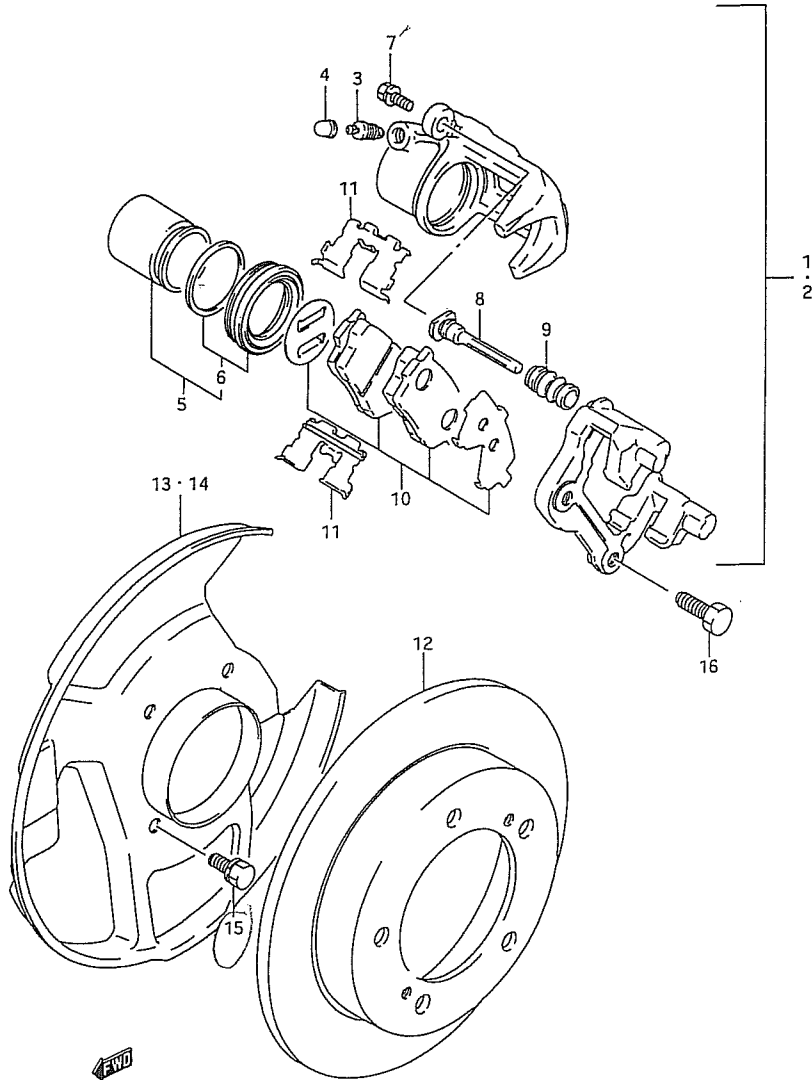
# FIG. 130



## FIG 130. ANTILOCK BRAKE SYSTEM (W/ABS)

REF. NO.	PART NO.	DESCRIPTION	Q' TY		REMARKS
			C	V	
1	56100-61A00	ACTUATOR ASSY, ABS	1	1	
2	56110-61A00	.PACK KIT, MOTOR	1	1	
3	56120-50G50	.VALVE KIT, SOLENOID	1	1	
4	56130-50G50	.COVER KIT, UNDER	1	1	
5	56150-61A00	BRACKET, ABS ACTUATOR	1	1	
6	56160-61A00	BOLT, ACTUATOR	3	3	
7	01550-06123	BOLT, ACTUATOR BRACKET	1	1	
8	56140-60A00	BRACKET, HARNESS	1	1	
9	56210-61A00	HARNESS ASSY, FR SENSOR RH	1	1	
10	56220-61A00	HARNESS ASSY, FR SENSOR LH	1	1	
11	01550-06123	BOLT, SENSOR HARNESS	4	4	
12	56360-50G50	SENSOR, FRONT	2	2	
13	56300-60A00	SENSOR, REAR	1	1	
14	01550-06123	BOLT, FRONT SENSOR	2	2	
15	01517-08123	BOLT, REAR SENSOR	1	1	
16	09403-08313	CLAMP, FRONT SENSOR HARNESS	2	2	
17	56320-60A00	COVER, REAR SENSOR	1	1	
18-1	09103-08275	BOLT, COVER (8X12)	2	2	MY97
18-2	01517-08123	BOLT, COVER (8X12)	2	2	MY98
19	56411-61A00	RING, FRONT WHEEL SENSOR	2	2	

# FIG. 131

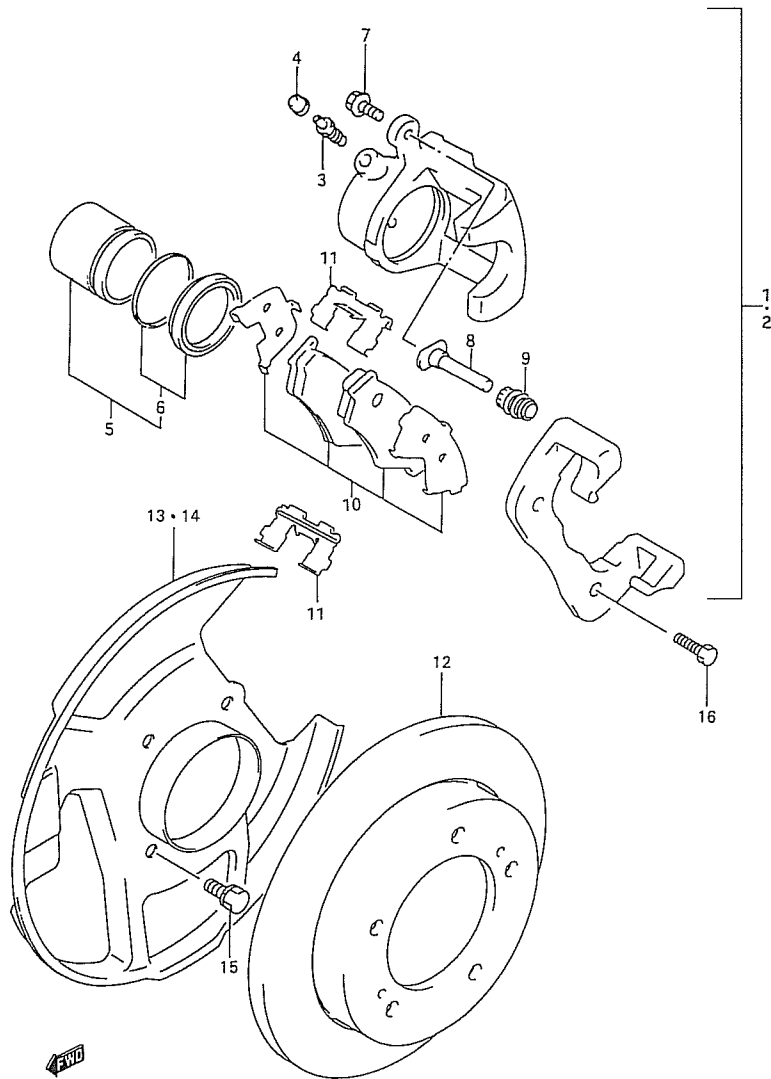


## FIG 131. FRONT BRAKE (3DR)

REF. NO.	PART NO.	DESCRIPTION	Q' TY		REMARKS
			C	V	
1-1	55101-60A30	CALIPER ASSY, FRONT BRAKE RH	1	1	4 VALVE
1-2	55101B60A00	CALIPER ASSY, FRONT BRAKE RH	1	1	2 VALVE
2-1	55102-60A30	CALIPER ASSY, FRONT BRAKE LH	1	1	4 VALVE
2-2	55102B60A00	CALIPER ASSY, FRONT BRAKE LH	1	1	2 VALVE
3-1	55473-82030	.PLUG, BLEEDER	2	2	4 VALVE
3-2	00000A00236	.PLUG, BLEEDER	2	2	2 VALVE
4	55156-66310	.CAP, BLEEDER PLUG	2	2	
5-1	55100-60810	.PISTON & SEAL SET	2	2	4 VALVE
5-2	00000A00718	.PISTON & SEAL SET	2	2	2 VALVE
6	55100-60820	.SEAL SET, PISTON	2	2	4 VALVE
7	55206-60A00	.BOLT, BRAKE CALIPERS	4	4	
8	55191-60A00	.BUSHING, CYLINDER SLIDE	4	4	4 VALVE
9	55201-60A00	.BOOT, BUSHING DUST	4	4	4 VALVE
10-1	55200-63810	.PAD SET, DISC BRAKE	1	1	4 VALVE
10-2	00000A00906	.PAD SET, DISC BRAKE	1	1	2 VALVE
11	55234-60A00	.SPRING, ANTI RATTLE OUTER	4	4	
12	55211-60A00	DISC, FRONT BRAKE	2	2	
13	55221-85C00	COVER, BRAKE DISC DUST RH	1	1	
14	55222-85C00	COVER, BRAKE DISC DUST LH	1	1	
15	55391-85C00	BOLT, SPINDLE	8	8	
16-1	09117-12012	BOLT, BRAKE CALIPER (12X32)	4	4	4 VALVE
16-2	09100A12111	BOLT, BRAKE CALIPER	4	4	2 VALVE

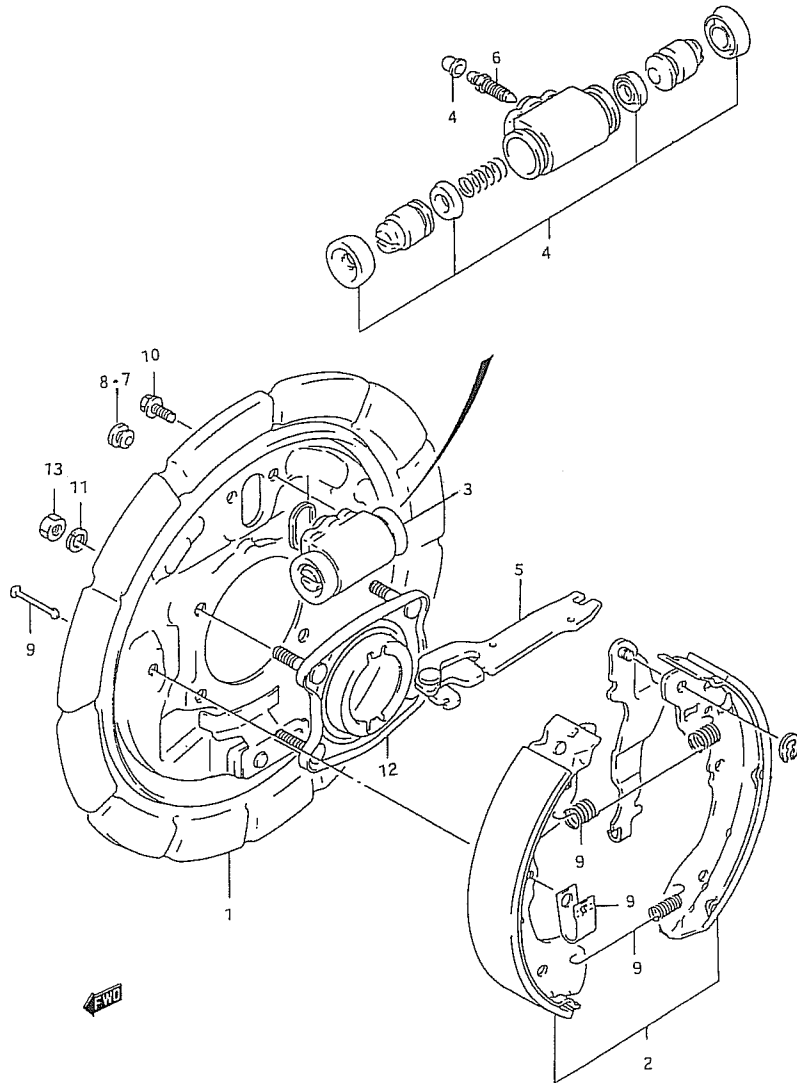
# FIG. 132

# FIG 132. FRONT BRAKE (5DR)



REF. NO.	PART NO.	DESCRIPTION	Q' TY		REMARKS
			C	V	
1	55101-56B30	CALIPER ASSY, FRONT BRAKE RH	-	1	
2	55102-56B30	CALIPER ASSY, FRONT BRAKE LH	-	1	
3	55473-82030	.PLUG, BLEEDER	-	2	
4	55156-66310	.CAP, BLEEDER PLUG	-	2	
5	55100-56B10	.PISTON & SEAL SET	-	2	
6	55100-56B20	.SEAL SET, PISTON	-	2	
7	55206-60A00	.BOLT, BRAKE CALIPERS	-	4	
8	55191-56B00	.BUSHING, CYLINDER SLIDE	-	4	
9	55201-56B00	.BOOT, BUSHING DUST	-	4	
10	55200-56B70	.PAD SET, DISK BRAKE	-	1	
11	55234-56B00	.SPRING, ANTI RATTLE OUTER	-	4	
12	55211-56B00	DISK, FRONT BRAKE	-	2	
13	55221-85C00	COVER, BRAKE DISK DUST RH	-	1	
14	55222-85C00	COVER, BRAKE DISK DUST LH	-	1	
15	55391-85C00	BOLT, SPINDLE	-	8	
16	09117-12012	BOLT, BRAKE CALIPER (12X32)	-	4	

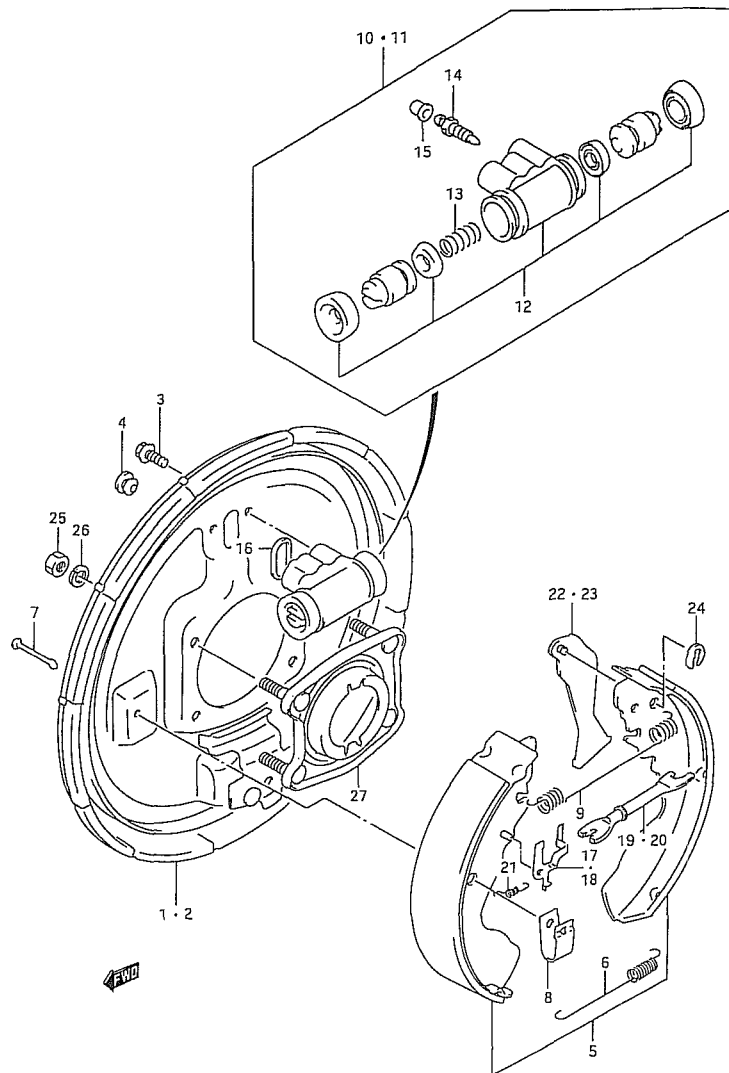
# FIG. 133



## FIG 133. REAR BRAKE (3DR: 2 VALVE)

REF. NO.	PART NO.	DESCRIPTION	QTY		REMARKS
			C	V	
0	53001B60A00	BRAKE ASSY, RH	1	1	
0	53002B60A00	BRAKE ASSY, LH	1	1	
1	00000A00725	PLATE, RH	1	1	
1	00000A00724	PLATE, LH	1	1	
2	00000A00899	SHOE SET, BRAKE	1	1	
3	00000A00159	CYLINDER ASSY, REAR WHEEL	1	1	
4	00000A00160	CYLINDER REPAIR SET	1	1	
5	00000A01137	ADJUSTER ASSY RH	1	1	
5	00000A01136	ADJUSTER ASSY LH	1	1	
6	00000A00236	BLEED SCREW	1	1	
7	00000A00235	INSPECTION PLUG	1	1	
8	00000A01049	PROTECTIVE PLUG	1	1	
9	00000A01135	STEADY REST KIT	1	1	
10	00000A00237	SCREW	2	2	
11	00000A00239	SPRING WASHER	2	2	
12	53820A60A00	RETAINER, REAR WHEEL BEARING	2	2	
13	08310-00083	NUT	8	8	

# FIG. 134



## FIG 134. REAR BRAKE (3DR: 4 VALVE)

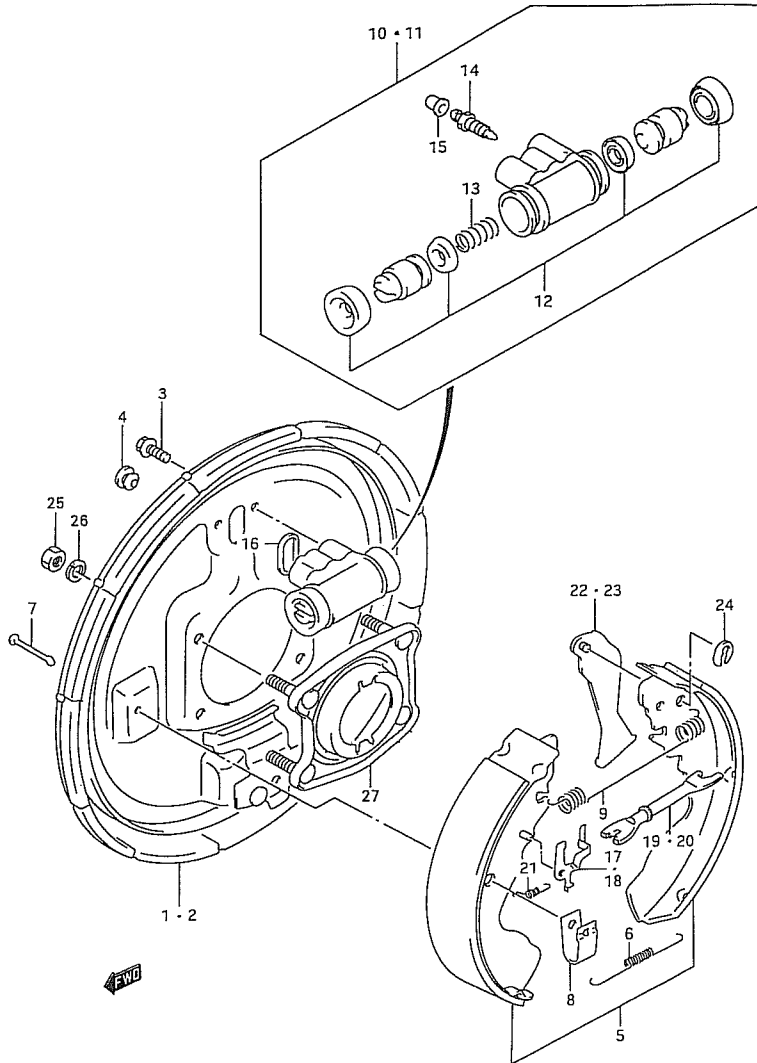
REF. NO.	PART NO.	DESCRIPTION	Q' TY		REMARKS
			C	V	
1	53110-60A40	PLATE, BACKING RH	1	1	
2	53120-60A40	PLATE, BACKING LH	1	1	
3	01550-06123	BOLT, WHEEL CYLINDER	4	4	
4	53141-84010	PLUG, BACKING PLATE	2	2	
5	53200-60880	SHOE SET, BRAKE	1	1	
6	53232-85120	SPRING, SHOE RETURN LOWER	2	2	
7	53241-82030	PIN, SHOE HOLD DOWN	4	4	
8	53243-85010	SPRING, SHOE HOLD DOWN	4	4	
9	53331-60A70	SPRING, SHOE RETURN UPPER	2	2	
10	53401-56B60	CYLINDER ASSY, REAR WHEEL RH	1	1	
11	53402-56B60	CYLINDER ASSY, REAR WHEEL LH	1	1	
12	53400-60830	.CUP SET, WHEEL CYLINDER	2	2	
13	53441-56B00	.SPRING, WHEEL CYLINDER	2	2	
14	55473-82030	.PLUG, BLEEDER LH	1	1	
15	55156-66310	.CAP, BLEEDER PLUG LH	1	1	
16	53417-82030	GASKET, REAR WHEEL CYLINDER	2	2	
17	53781-77E01	LEVER, PAWL RH	1	1	
18	53782-77E01	LEVER, PAWL LH	1	1	
19	53810-77E00	ADJUSTER ASSY, RH	1	1	
20	53820-77E00	ADJUSTER ASSY, LH	1	1	
21	53791-77E01	SPRING, ADJUSTER	2	2	
22	53720-60A40	LEVER, PARKING SHOE RH	1	1	
24	53753-82030	E RNG, PARKING LEVER	2	2	
25	08310-10083	NUT	8	8	
26	08321-01083	WASHER	8	8	
27	53820-60A00	RETAINER, REAR WHEEL OUTER	2	2	



# FIG. 135

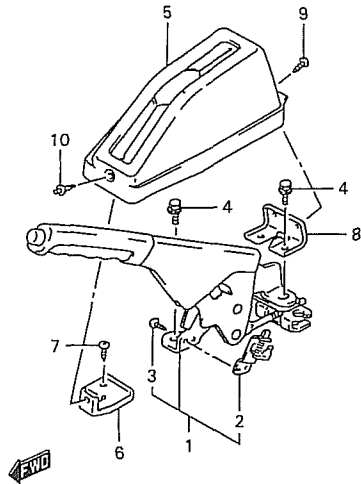
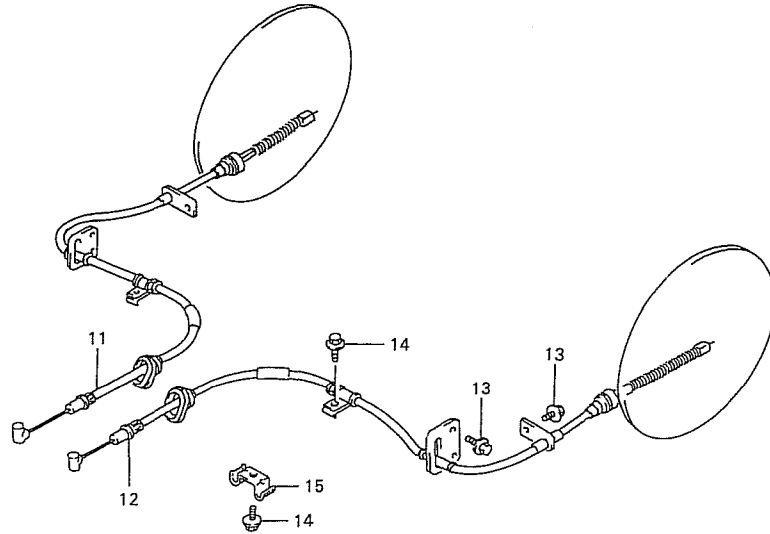
## FIG 135. REAR BRAKE (5DR)

REF. NO.	PART NO.	DESCRIPTION	QTY		REMARKS
			C	V	
1	53110-77E50	PLATE, BACKING RH		1	
2	53120-77E50	PLATE, BACKING LH		1	
3	01550-06123	BOLT		4	
4	53141-84010	PLUG, BACKING PLATE		2	
5	53200-77811	SHOE SET, BRAKE		1	
6	53231-56B00	SPRING, SHOE RETURN LOWER		2	
7	53241-82030	PIN, SHOE HOLD DOWN		4	
8	53243-85010	SPRING, SHOE HOLD DOWN		4	
9	53331-60A70	SPRING, SHOE RETURN UPPER		2	
10	53401-56B60	CYLINDER ASSY, REAR WHEEL RH		1	
11	53402-56B60	CYLINDER ASSY, REAR WHEEL LH		1	
12	53400-60830	.CUP SET, WHEEL CYLINDER		2	
13	53441-56B00	.SPRING, WHEEL CYLINDER		2	
14	55473-82030	.PLUG, BLEEDER LH		1	
15	55156-66310	.CAP, BLEEDER PLUG LH		1	
16	53417-82030	GASKET, REAR WHEEL CYLINDER		2	
17	53781-77E01	LEVER, PAWL RH		1	
18	53782-77E01	LEVER, PAWL LH		1	
19	53810-77E00	ADJUSTER ASSY, RH		1	
20	53820-77E00	ADJUSTER ASSY, LH		1	
21	53791-77E01	SPRING, ADJUSTER		2	
22	53720-77E00	LEVER, PARKING SHOE RH		1	
23	53730-77E00	LEVER, PARKING SHOE LH		1	
24	53753-82030	E RNG, PARKING LEVER		2	
25	08310-10083	NUT		8	
26	08321-01083	LOCK WASHER		8	
27	53820-60A00	RETAINER, REAR WHEEL OUTER		2	



# FIG. 136

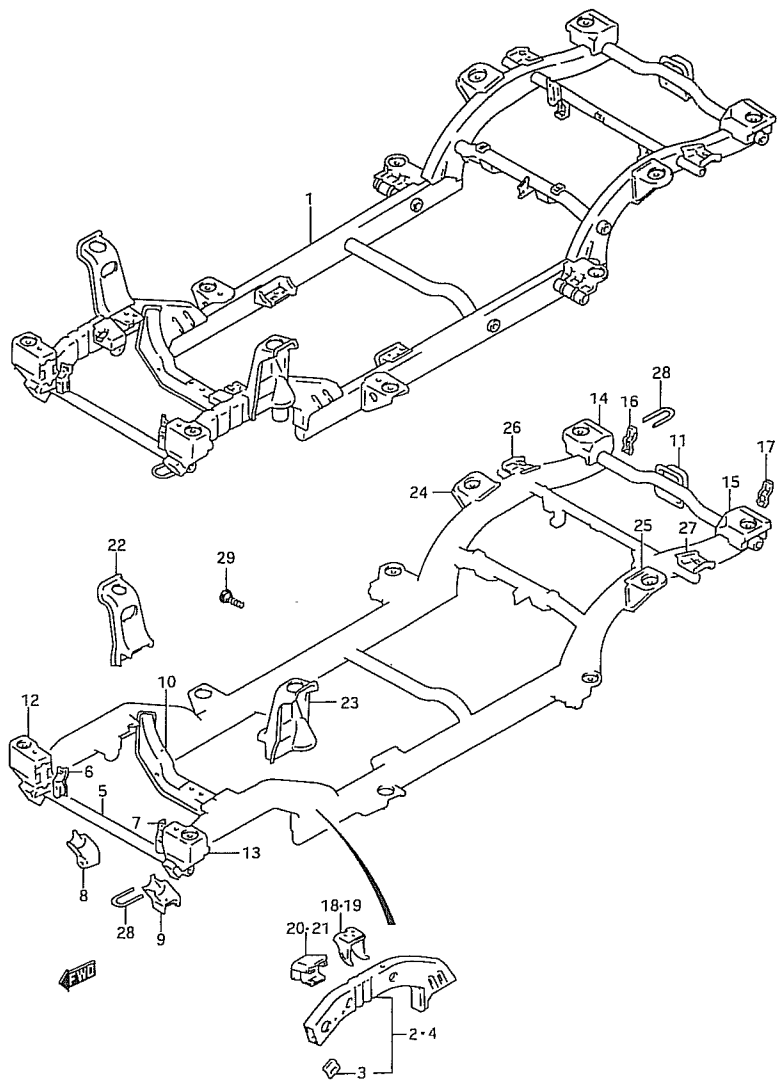
# FIG 136. PARKING BRAKE



REF. NO.	PART NO.	DESCRIPTION	Q' TY		REMARKS
			C	V	
1	54100-60A10	LEVER ASSY, PARKING BRAKE	1	1	
2	37940-60A10	.SWITCH ASSY	1	1	
3	02142-04103	.SCREW	1	1	
4	01500-08203	BOLT, PARKING BRAKE LEVER	3	3	
5-1	54510-60A00-5ES	COVER ASSY, PARKING LEVER	1	1	MY97,3DR:JX (BLACK)
5-2	54510-60A00-T01	COVER ASSY, PARKING LEVER	1	1	MY98,3DR:JX (GRAY)
6	54611-60A00	BRACKET, PARKING COVER FRONT	1	1	3DR:JX
7	03241-06123	SCREW, BRACKET COVER	1	1	3DR:JX
8	54711-60A00	BRACKET, PARKING COVER REAR	1	1	3DR:JX
9	03241-05125	SCREW, BRACKET COVER	2	2	3DR:JX
10	09409-06314-5PK	RIVET, PARKING BRAKE COVER	1	1	3DR:JX (BLACK)
11-1	54410-60A60	CABLE, PARKING BRAKE RH	1	1	3DR
11-2	54410-56B60	CABLE, PARKING BRAKE RH	-	1	5DR
12-1	54420-60A60	CABLE, PARKING BRAKE LH	1	1	3DR
12-2	54420-56B60	CABLE, PARKING BRAKE LH	-	1	5DR
13	09136-06134	BOLT, PARKING CABLE HANGER	6	6	
14-1	01517-08123	BOLT, PARKING CABLE CLAMP	2	2	3DR
14-2	01517-08123	BOLT, PARKING CABLE CLAMP	-	3	5DR
15	54431-56B00	CLAMP, PARKING CABLE	-	1	5DR

# FIG. 137

# FIG 137. CHASSIS FRAME (3DR)

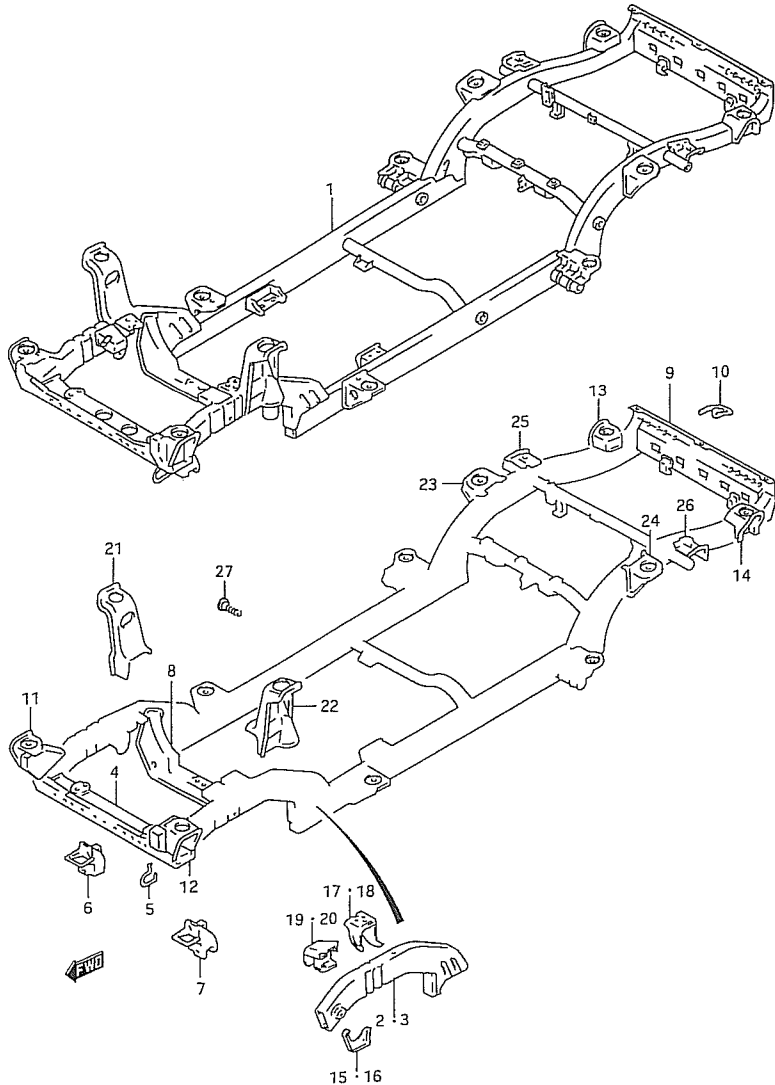


REF. NO.	PART NO.	DESCRIPTION	Q' TY		REMARKS
			C	V	
1-1	57000-85C21	FRAME ASSY	1	1	PETROL:LHD
1-2	57000-85C30	FRAME ASSY	1	1	PETROL:RHD
1-3	57000-86CA0	FRAME ASSY	1	1	1.9 T. DIESEL:LHD
2-1	57110-60A21	.MEMBER, SIDE FRAME FRONT RH	1	1	LHD
2-2	57110-60A31	.MEMBER, SIDE FRAME FRONT RH	1	1	RHD
3	57942-60A00	..HOOK, SHIPPING FRONT	1	1	
4-1	57160-60A20	.MEMBER, SIDE FRAME FRONT LH	1	1	LHD
4-2	57160-60A30	.MEMBER, SIDE FRAME FRONT LH	1	1	RHD
5	57211-60A20	.CROSSMEMBER, 1ST	1	1	
6	57551-60A00	.BRACKET, RADIATOR STAY RH	1	1	
7	57561-60A00	.BRACKET, RADIATOR STAY LH	1	1	
8-1	57710-60A00	.HANGER, FR SPNSN ARM RH	1	1	LHD
8-2	57710-60A10	.HANGER, FR SPNSN ARM RH	1	1	RHD
9-1	57720-60A10	.HANGER, FR SPNSN ARM LH	1	1	RHD
9-2	57720-60A00	.HANGER, FR SPNSN ARM LH	1	1	LHD
10	57220-56B20	.CROSSMEMBER, 2ND	1	1	
11	57260-60A10	.CROSSMEMBER, TAIL	1	1	
12	57310-60A01	.BRACKET, 1ST MOUNTING RH	1	1	
13	57320-60A01	.BRACKET, 1ST MOUNTING LH	1	1	
14	57370-60A00	.BRACKET, 4TH MOUNTING RH	1	1	
15	57380-60A00	.BRACKET, 4TH MOUNTING LH	1	1	
16	57481-60A00	.BRACKET, REAR BUMPER SIDE RH	1	1	
17	57482-60A00	.BRACKET, REAR BUMPER SIDE LH	1	1	
18	57511-60A00	.BRACKET, ENG MOUNTING RH	1	1	
19	57521-60A00	.BRACKET, ENG MOUNTING LH	1	1	
20	57620-60A00	.BRACKET, FR DIFF MTG RH	1	1	
21	57630-60A00	.BRACKET, FR DIFF MTG LH	1	1	
22	57730-56B10	.BRACKET, FRONT STRUT RH	1	1	
23	57740-56B00	.BRACKET, FRONT STRUT LH	1	1	
24	57810-77E00	.BRACKET, REAR COIL SPRING RH	1	1	
25	57820-77E00	.BRACKET, REAR COIL SPRING LH	1	1	
26	57831-56B00	.BRACKET, RR SHOCK ABSORBER RH	1	1	
27	57841-56B00	.BRACKET, RR SHOCK ABSORBER LH	1	1	
28	57941-60A00	.HOOK, TOWING	2	2	
29-1	09119-05018	.BOLT, STUD	10	10	MY97
29-2	59971-85C00	.BOLT, STUD	10	10	MY98

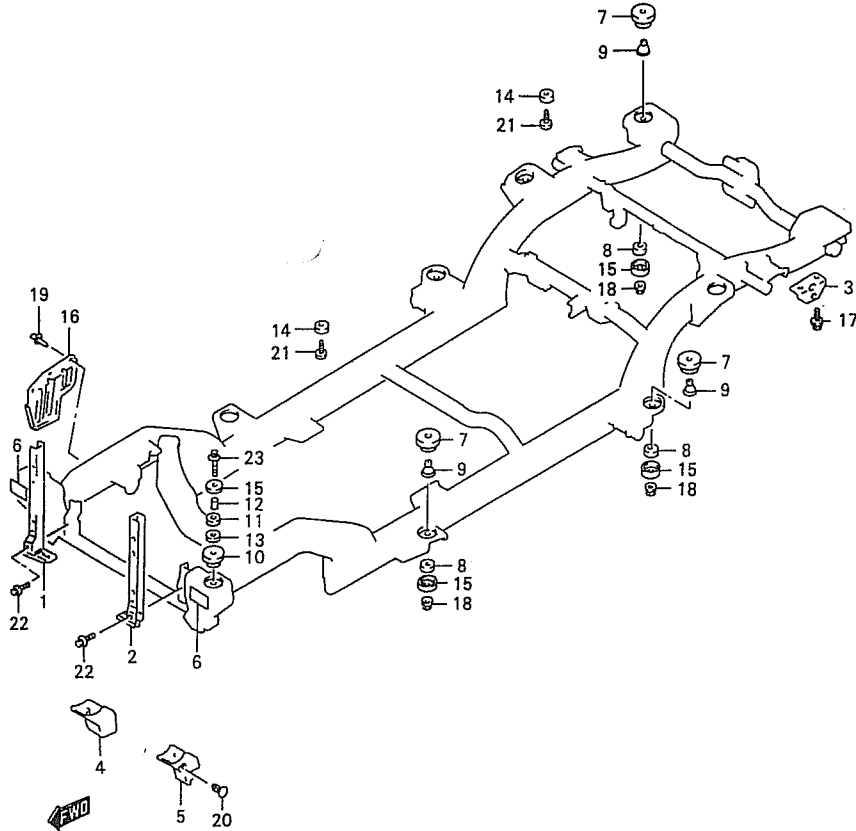
# FIG. 138

## FIG 138. CHASSIS FRAME (5DR)

REF. NO.	PART NO.	DESCRIPTION	QTY		REMARKS
			C	V	
1-1	57000-57B50	FRAME ASSY		1	PETROL:LHD
1-2	57000-57B40	FRAME ASSY		1	PETROL:RHD
1-3	57000-86CB0	FRAME ASSY		1	1.9 T. DIESEL:LHD
2-1	57110-56B21	.MEMBER, SIDE FRAME FRONT RH		1	LHD
2-2	57110-56B31	.MEMBER, SIDE FRAME FRONT RH		1	RHD
3-1	57160-56B20	.MEMBER, SIDE FRAME FRONT LH		1	LHD
3-2	57160-56B30	.MEMBER, SIDE FRAME FRONT LH		1	RHD
4-1	57210-56B20	.CROSSMEMBER, 1ST		1	LHD
4-2	57210-56B30	.CROSSMEMBER, 1ST		1	RHD
5	57213-56B00	..HOOK, FRONT TOWING		1	
6-1	57710-56B20	..HANGER, FR SPNSN ARM RH		1	LHD
6-2	57710-56B30	..HANGER, FR SPNSN ARM RH		1	RHD
7-1	57720-56B20	..HANGER, FR SPNSN ARM LH		1	LHD
7-2	57720-56B30	..HANGER, FR SPNSN ARM LH		1	RHD
8	57220-56B20	.CROSSMEMBER, 2ND		1	
9	57260-56B01	.CROSSMEMBER, TAIL		1	
10	57264-56B00	..HOOK, REAR TOWING		1	
11	57310-56B00	.BRACKET, 1ST MOUNTING RH		1	
12	57320-56B00	.BRACKET, 1ST MOUNTING LH		1	
13	57371-56B00	.BRACKET, 4TH MOUNTING RH		1	
14	57381-56B01	.BRACKET, 4TH MOUNTING LH		1	
15	57411-56B00	.GUSSET, 1ST CROSSMEMBER SIDE R		1	
16	57412-56B00	.GUSSET, 1ST CROSSMEMBER SIDE L		1	
17	57511-60A00	.BRACKET, ENG MOUNTING RH		1	
18	57521-60A00	.BRACKET, ENG MOUNTING LH		1	
19	57620-60A00	.BRACKET, FR DIFF MTG RH		1	
20	57630-60A00	.BRACKET, FR DIFF MTG LH		1	
21	57730-56B10	.BRACKET, FRONT STRUT RH		1	
22	57740-56B00	.BRACKET, FRONT STRUT LH		1	
23	57810-77E00	.BRACKET, REAR COIL SPRING RH		1	
24	57820-77E00	.BRACKET, REAR COIL SPRING LH		1	
25	57831-56B00	.BRACKET, RR SHOCK ABSORBER RH		1	
26	57841-56B00	.BRACKET, RR SHOCK ABSORBER LH		1	
27-1	09119-05018	.BOLT, STUD		9	MY97
27-2	59971-85C00	.BOLT, STUD		9	MY98



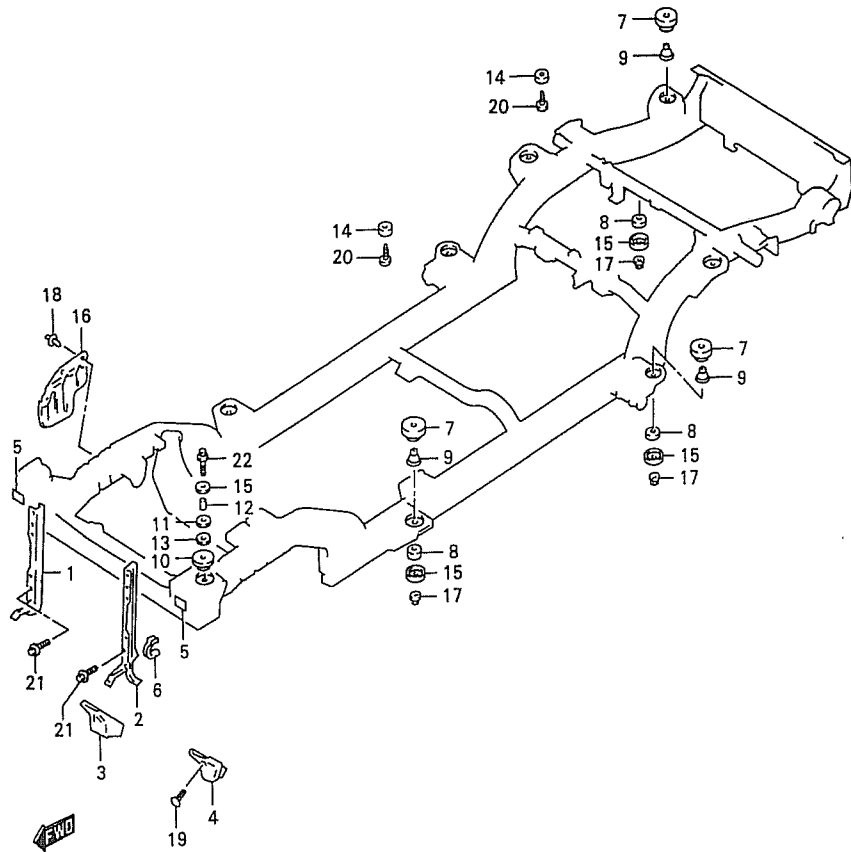
# FIG. 139



## FIG 139. BODY MOUNTING (3DR)

REF. NO.	PART NO.	DESCRIPTION	Q' TY		REMARKS
			C	V	
1	71410-60A01	STAY, RADIATOR RH	1	1	
2	71420-60A11	STAY, RADIATOR LH	1	1	
3	71451-60A00	HOOK, SHIPPING REAR	1	1	
4	71461-60A00	COVER, FRONT SUSPENSION ARM H.R	1	1	
5	71471-60A00	COVER, FRONT SUSPENSION ARM H.L	1	1	
6	71481-60A00	PROTECTOR, 1ST MOUNTING BRCKT	2	2	
7	71511-60A00	CUSHION, BODY MOUNTING NO.1	6	6	
8	71512-60A10	CUSHION, BODY MOUNTING NO.2	6	6	
9	71513-60A00	COLLOR, BODY MOUNTING	6	6	
10	71514-60A00	CUSHION, BODY FR MOUNTING NO.1	2	2	
11	71515-60A00	CUSHION, BODY FR MOUNTING NO.2	2	2	
12	71516-85C00	COLLOR, BODY FRONT MOUNTING	2	2	
13	71517-56B02	SPACER, BODY FRONT MOUNTING	2	2	
14	71521-56B00	PAD, BODY MOUNTING	4	4	
15	71632-83010	BOTTOM, BODY MOUNTING	8	8	
16	72211-56B01	FLAP, FRONT FRAME SIDE RH	1	1	
17	09103-12043	BOLT, SHIPPING HOOK (12X20)	2	2	
18	59119-85C00	NUT, BODY MOUNTING	6	6	
19	09409-06318	CLIP, FR FRAME FLAP	2	2	
20	59931-85C00	CLIP, HANGER COVER	2	2	
21	09409-10302-5PK	CLIP, BODY MOUNTING (BLACK)	4	4	
22	01500-08203	BOLT, RADIATOR STAY	4	4	
23	01500-10853	BOLT, BODY MOUNTING	2	2	

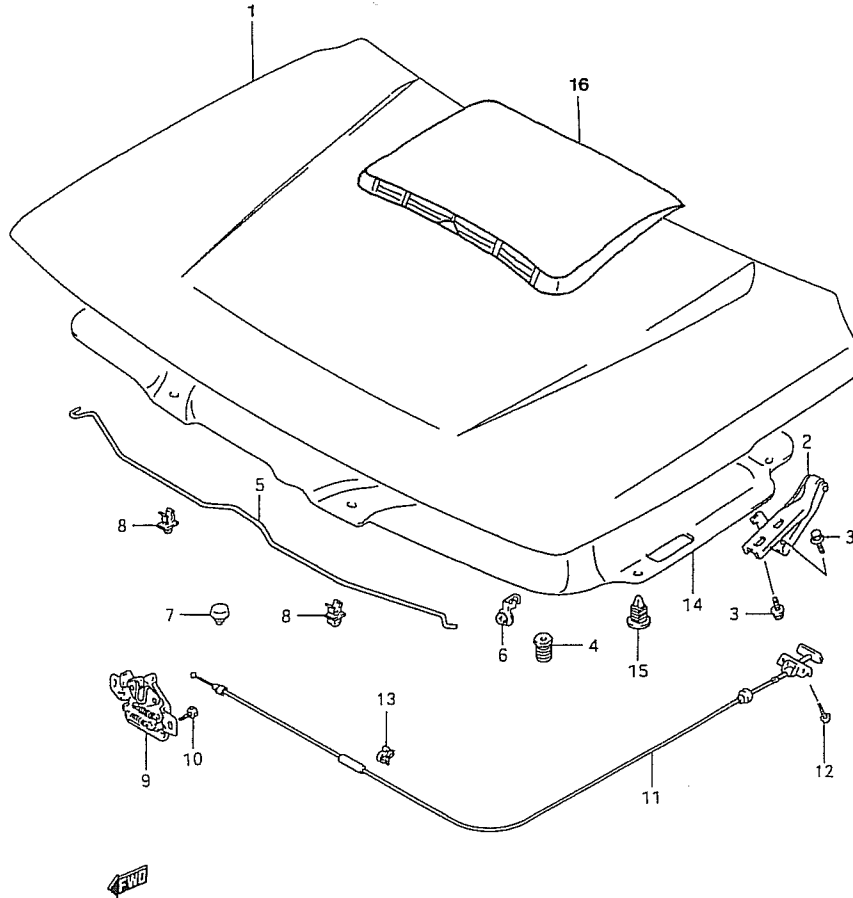
# FIG. 140



## FIG 140. BODY MOUNTING (5DR)

REF. NO.	PART NO.	DESCRIPTION	Q' TY		REMARKS
			C	V	
1	71410-56B00	STAY, RADIATOR RH	1		
2	71420-56B21	STAY, RADIATOR LH	1		
3	71461-56B00	COVER, FRONT SUSPENSION ARM H.R	1		
4	71471-56B00	COVER, FRONT SUSPENSION ARM H.L	1		
5	71481-56B00	PROTECTOR, FRONT BUMPER MEMBER	2		
6	71491-56B00	PROTECTOR, FRONT TOWING BOOK	1		
7	71511-56B00	CUSHION, BODY MOUNTING NO.1	6		
8	71512-60A10	CUSHION, BODY MOUNTING NO.2	6		
9	71513-60A00	COLLOR, BODY MOUNTING	6		
10	71514-56B00	CUSHION, BODY FR MOUNTING NO.1	2		
11	71515-60A00	CUSHION, BODY FR MOUNTING NO.2	2		
12	71516-85C00	COLLOR, BODY FRONT MOUNTING	2		
13	71517-56B02	SPACER, BODY FRONT MOUNTING	2		
14	71521-56B00	PAD, BODY MOUNTING	4		
15	71632-83010	BOTTOM, BODY MOUNTING	8		
16	72211-56B01	FLAP, FRONT FRAME SIDE RH	1		
17	59119-85C00	NUT, BODY MOUNTING	6		
18	09409-06318	CLIP, FRONT FRAME FLAP	3		
19	59931-85C00	CLIP, HANGER COVER	2		
20	09409-10302-5PK	CLIP, BODY MOUNTING (BALCK)	4		
21	01500-08203	BOLT, RADIATOR STAY	4		
22	01500-10853	BOLT, BODY MOUNTING	2		

# FIG. 141

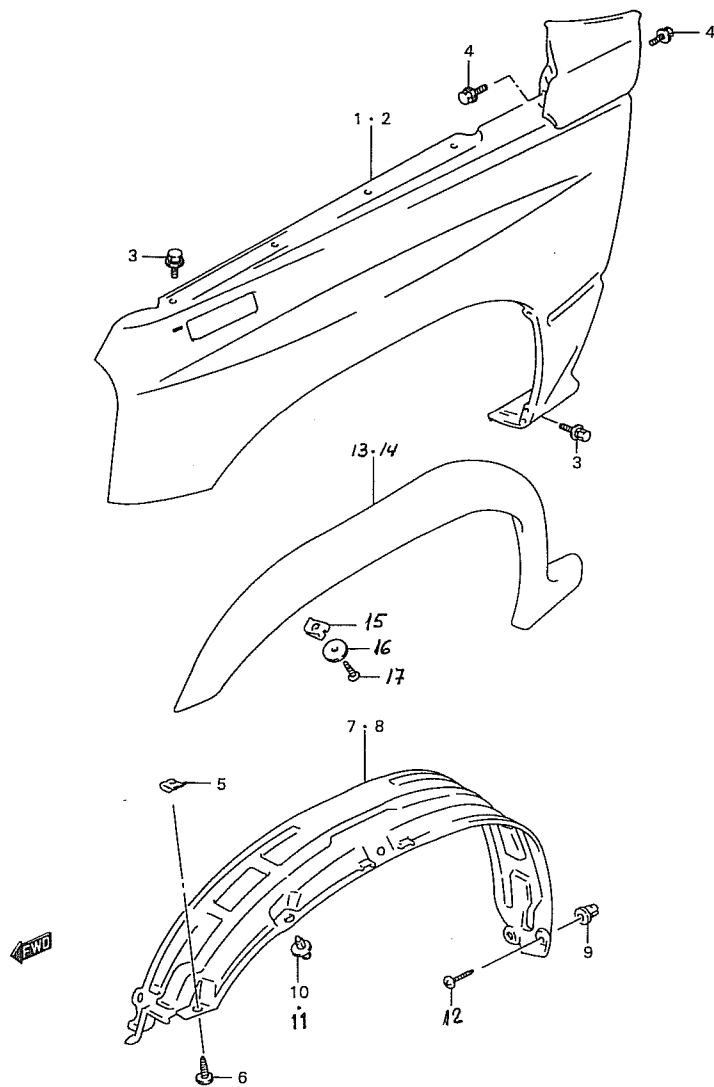


## FIG 141. ENGINE FRONT HOOD

REF. NO.	PART NO.	DESCRIPTION	QTY		REMARKS
			C	V	
1	58300-63A20	PANEL ASSY, FRONT HOOD	1	1	
2	58410-60A30	HINGE, FRONT HOOD	2	2	
3	01500-06163	BOLT, HINGE	8	8	
4	72372-85C00	CUSHION, FRONT HOOD	2	2	
5	72431-60A02	STAY, FRONT HOOD	1	1	
6	09209-14001	LINKAGE, FRONT HOOD STAY	1	1	
7	09321-10023	CUSHION, FRONT HOOD	1	1	
8	09403-07307-5PK	CLAMP, HOOD STAY (BLACK)	2	2	
9-1	82110-77E10	LATCH, HOOD	1	1	LHD
9-2	82110-77E00	LATCH, HOOD	1	1	RHD
10	01500-06123	BOLT, LATCH	2	2	
11	82160-85C00	CABLE, LATCH RELEASE	1	1	
12	02142-05123	SCREW	2	2	
13	39283-85C00	CLAMP, CABLE	2	2	
14	75270-56B01	SILENCER, FR HOOD	1	1	
15	09409-06309-5ES	CLIP, SILENCER (BLACK)	8	8	

16 77300-86CA0-799 POSTITIVO CAPO

# FIG. 142

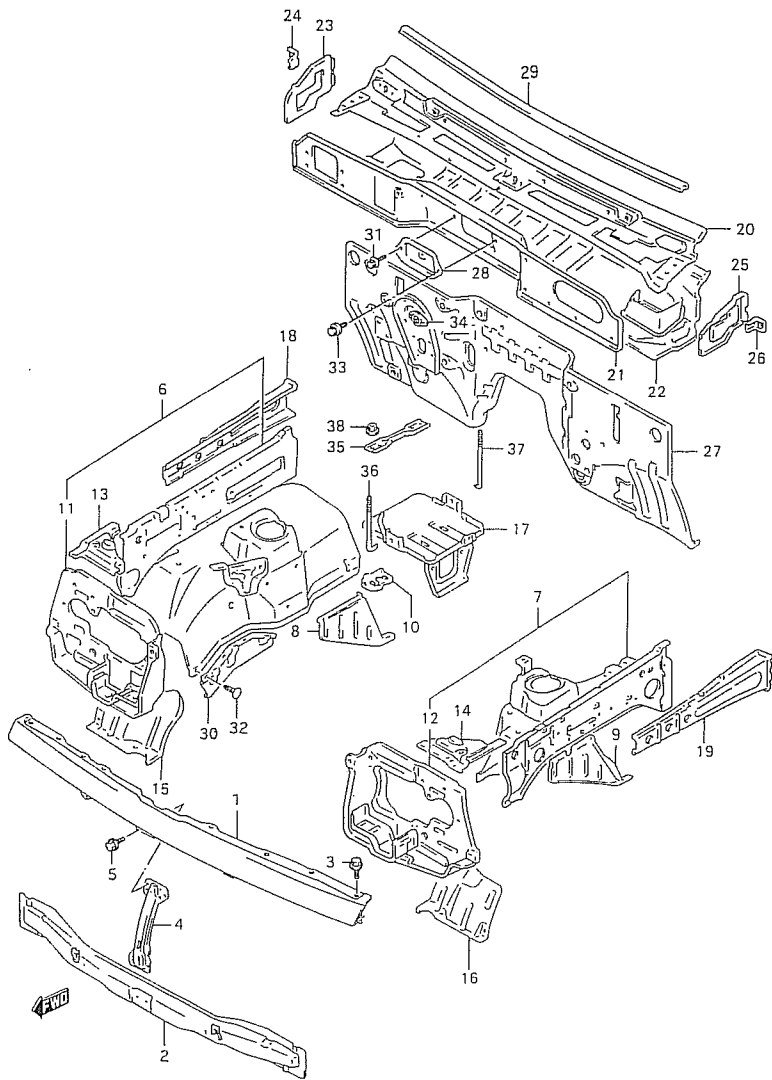


## FIG 142. FRONT FRNDR AND LINING

REF. NO.	PART NO.	DESCRIPTION	QTY		REMARKS
			C	V	
1-1	58600-60A21	PANEL ASSY, FRONT FENDER RH	1	1	
1-2	58600-66A10	PANEL ASSY, FRONT FENDER RH	1	1	SPECIAL
2-1	58800-60A21	PANEL ASSY, FRONT FENDER LH	1	1	
2-2	58800-66A10	PANEL ASSY, FRONT FENDER LH	1	1	SPECIAL
3	01550-06123	SCREW, FRONT FENDER	12	12	
4	01550-06123	SCREW, COWL SIDE GARNISH	4	4	
5	59911-85C00	NUT, FRONT FENDER	2	2	
6	03241-06103	SCREW, FRONT FENDER	2	2	
7	72481-85C00	LINING, FRONT FENDER RH	1	1	
8	72482-85C00	LINING, FRONT FENDER LH	1	1	
9-1	59981-85C00	NUT, FENDER LINING	4	4	N/WIDE, SPECIAL
9-2	59981-85C00	NUT, FENDER LINING	2	2	W/WIDE
10-1	59932-85C00	CLIP, FENDER LINING	12	12	N/WIDE, N/SPECIAL
10-2	59932-85C00	CLIP, FENDER LINING INNER	6	6	SPECIAL, W/WIDE
11	09409-08308-5ES	CLIP, FENDER LINING OUTER	6	6	SPECIAL
12-1	03242-06165	SCREW, FENDER LINING	2	2	W/WIDE
12-2	03242-06165	SCREW, FENDER LINING	4	4	N/WIDE, SPECIAL
13	99000-990YC-081	EXTENSION, FR FENDER RH	1	1	W/WIDE (PAINT TO MATCH)
14	99000-990YC-082	EXTENSION, FR FENDER LH	1	1	W/WIDE (PAINT TO MATCH)
15	77213-85C00	NUT, FR EXTENSION	6	6	W/WIDE
16	77215-85C01	WASHER, EXTENSION	6	6	W/WIDE
17	03111-04203	SCREW, EXTENSION	6	6	W/WIDE



# FIG. 143



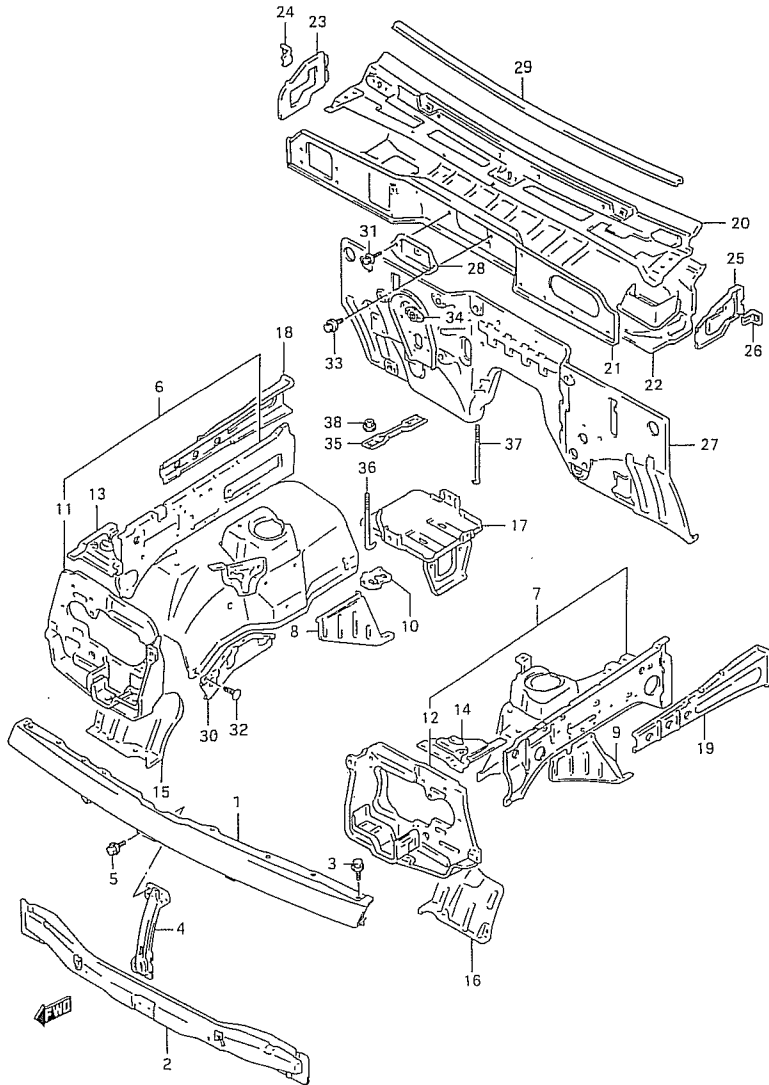
# FIG 143. FRONT SHEET METAL (LHD)

REF. NO.	PART NO.	DESCRIPTION	QTY		REMARKS
			C	V	
1	58110-85C00	PANEL, FRONT	1	1	
2	58190-56B10	MEMBER, FRONT PANEL LOWER	1	1	
3	01550-06123	SCREW, FRONT PANEL	10	10	
4	72411-60A01	MEMBER, FRONT PANEL CENTER	1	1	
5	01550-06123	SCREW, FRONT PANEL CTR MEMBER	4	4	
6-1	58700-85C30	PANEL, FRONT WHEEL HOUSING RH	1	1	PETROL
6-2	58700-86CB0	PANEL, FRONT WHEEL HOUSING RH	1	1	1.9 T.DIESEL
7	58900-57B01	PANEL, FRONT WHEEL HOUSING LH	1	1	
8-1	58712-60A10	.EXTENSION, WHEEL HOUSING RH	1	1	MY97
8-2	58712-60A11	.EXTENSION, WHEEL HOUSING RH	1	1	MY98
9	58912-60A10	.EXTENSION, WHEEL HOUSING LH	1	1	
10	58717-60A00	.BRACKET, BRAKE PIPE	1	1	
11	58730-85C00	.PANEL, LAMP SUPPORT RH	1	1	
12	58930-56B01	.PANEL, LAMP SUPPORT LH	1	1	
13	58740-60A00	.GUSSET, FRONT CORNER RH	1	1	
14	58941-60A00	.GUSSET, FRONT CORNER LH	1	1	
15	58755-60A00	.GUSSET, FRONT LOWER MEMBER RH	1	1	
16	58955-60A00	.GUSSET, FRONT LOWER MEMBER LH	1	1	
17	58760-85C00	.BRACKET, BATTERY	1	1	
18	58771-56B00	MEMBER, FRONT BODY SIDE RH	1	1	
19	58970-56B01	MEMBER, FRONT BODY SIDE LH	1	1	
20	59110-56B20	PANEL, COWL TOP	1	1	
21	59211-60A01	PANEL, FRONT	1	1	
22	59310-56B23	PANEL, COWL UPPER	1	1	
23-1	59411-60A01	PANEL, SIDE RH	1	1	MY97
23-2	59410-60A01	PANEL, SIDE RH	1	1	MY98
24	59412-60A00	BRACKET, SIDE FRONT RH	1	1	MY97
25-1	59421-60A01	PANEL, SIDE LH	1	1	MY97
25-2	59420-60A01	PANEL, SIDE LH	1	1	MY98
26	59422-60A00	BRACKET, SIDE FRONT LH	1	1	MY97
27	61100-57B00	PANEL, DASH	1	1	
28	72421-60A00	LID, WIPER LINK SERVICE HOLE	1	1	
29	72471-60A00	WEATHERSTRIP, COWL TOP FRONT	1	1	
30	72485-60A00	FLAP, FRONT WHEEL HOUSING RH	1	1	
31	09115-06001	BOLT, WIPER SERVICE HOLE RH	1	1	(6X16)
32	09409-10304-5ES	CLIP, FR HOUSING FLAP (BLACK)	2	2	
33	01550-06123	BOLT, WIPER SERVICE HOLE	1	1	
34	72491-60A00	CAP, CLUTCH CABLE HOSE	1	1	AT
35	72511-60A02	BAND, BATTERY	1	1	
36	72512-85C00	BOLT, BATTERY	1	1	

# FIG. 143

## FIG 143. FRONT SHEET METAL (LHD)

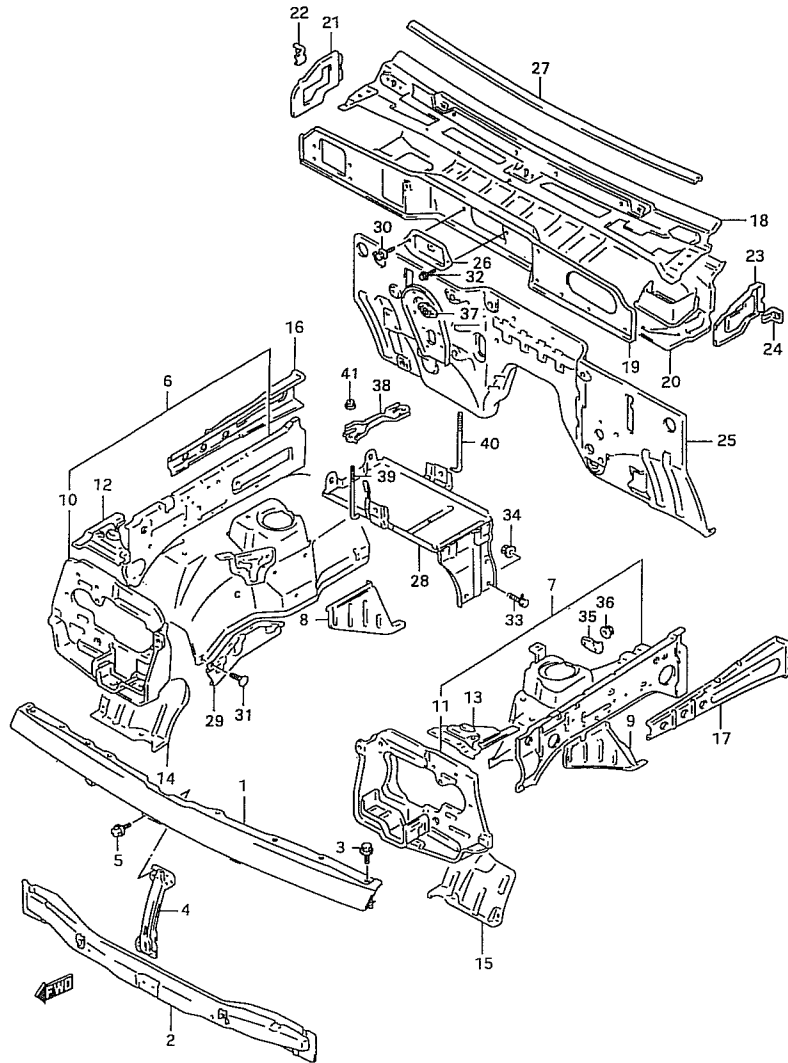
REF. NO.	PART NO.	DESCRIPTION	Q' TY		REMARKS
			C	V	
37	72512-85C10	BOLT, BATTERY	1	1	
38	08361-15063	NUT, BATTERY	2	2	



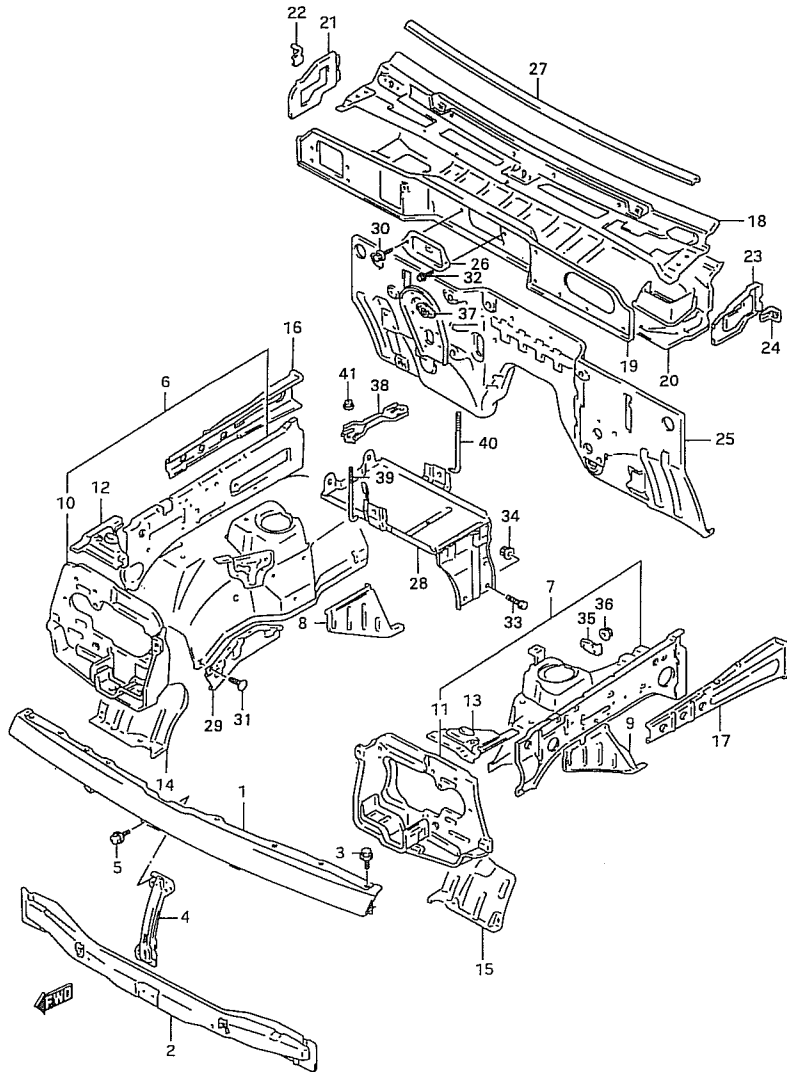
# FIG. 144

# FIG 144. FRONT SHEET METAL (RHD)

REF. NO.	PART NO.	DESCRIPTION	Q' TY		REMARKS
			C	V	
1	58110-85C00	PANEL, FRONT	1	1	
2	58190-56B10	MEMBER, FRONT PANEL LOWER	1	1	
3	01550-06123	SCREW, FRONT PANEL	10	10	
4	72411-60A01	MEMBER, FRONT PANEL CENTER	1	1	
5	01550-06123	SCREW, FRONT PANEL CTR MEMBER	4	4	
6-1	58700-85C40	PANEL, FRONT WHEEL HOUSING RH	1	1	4 VALVE
6-2	58700-85C60	PANEL, FRONT WHEEL HOUSING RH	1	1	2 VALVE
7-1	58900-63A30	PANEL, FRONT WHEEL HOUSING LH	1	1	4 VALVE
7-2	58900-63A10	PANEL, FRONT WHEEL HOUSING LH	1	1	2 VALVE
8-1	58712-60A10	.EXTENSION, WHEEL HOUSING RH	1	1	MY97,
8-2	58712-60A11	.EXTENSION, WHEEL HOUSING RH	1	1	MY98,
9	58912-60A10	.EXTENSION, WHEEL HOUSING LH	1	1	
10	58730-85C00	.PANEL, LAMP SUPPORT RH	1	1	
11	58930-56B01	.PANEL, LAMP SUPPORT LH	1	1	
12	58740-60A00	.GUSSET, FRONT CORNER RH	1	1	
13	58941-60A00	.GUSSET, FRONT CORNER LH	1	1	
14	58755-60A00	.GUSSET, FRONT LOWER MEMBER RH	1	1	
15	58955-60A00	.GUSSET, FRONT LOWER MEMBER LH	1	1	
16	58771-56B00	MEMBER, FRONT BODY SIDE RH	1	1	
17	58970-56B01	MEMBER, FRONT BODY SIDE LH	1	1	
18	59110-56B11	PANEL, COWL TOP	1	1	
19	59211-60A11	PANEL, FRONT	1	1	
20	59310-56B32	PANEL, COWL UPPER	1	1	
21-1	59411-60A01	PANEL, SIDE RH	1	1	MY97
21-2	59410-60A01	PANEL, SIDE RH	1	1	MY98
22	59412-60A00	BRACKET, SIDE FRONT RH	1	1	MY97
23-1	59421-60A01	PANEL, SIDE LH	1	1	MY97
23-2	59420-60A01	PANEL, SIDE LH	1	1	MY98
24	59422-60A00	BRACKET, SIDE FRONT LH	1	1	MY97
25	61100-57B20	PANEL, DASH	1	1	
26	72421-60A00	LID, WIPER LINK SERVICE HOLE	1	1	
27	72471-60A00	WEATHERSTRIP, COWL TOP FRONT	1	1	
28	72450-60A11	BRACKET, BATTERY	1	1	2 VALVE
29	72485-60A00	FLAP, FRONT WHEEL HOUSING RH	1	1	
30	09115-06001	BOLT, WIPER SERVICE HOLE LH	1	1	(6X16)
31	09409-10304-5ES	CLIP, FR HOUSING FLAP (BLACK)	2	2	
32	01550-06123	SCREW, WIPER SERVICE HOLE	1	1	
33	01550-06123	SCREW, BATTERY BRACKET	2	2	2 VALVE
34	08316-20063	NUT, BATTERY BARCKET	2	2	2 VALVE
35	72311-60A00	BRACKET, BATTERY BOLT	1	1	4 VALVE



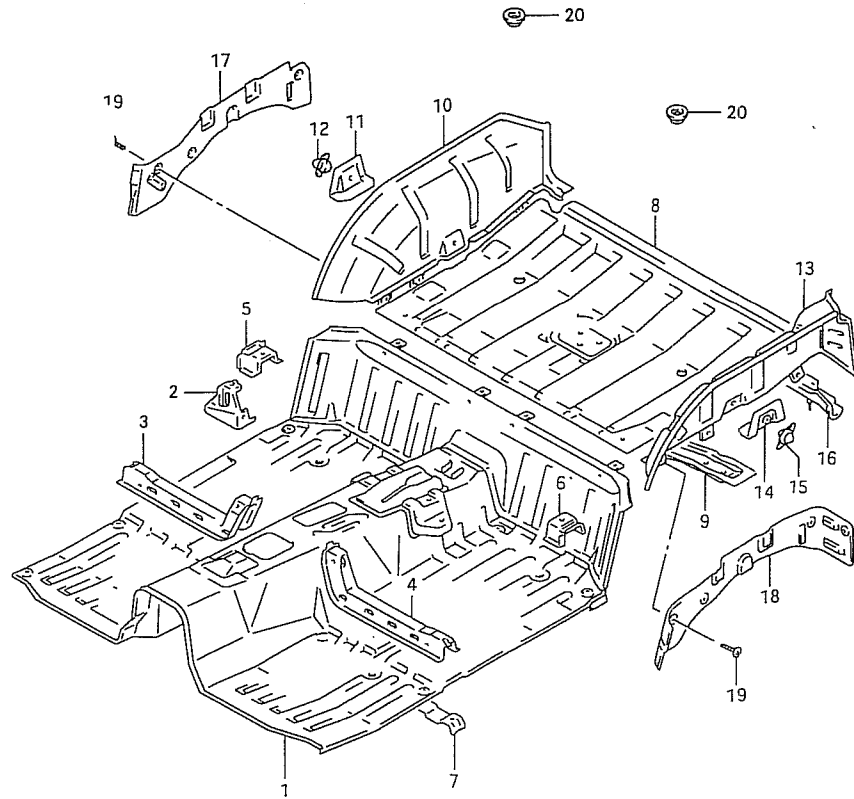
# FIG. 144



## FIG 144. FRONT SHEET METAL (RHD)

REF. NO.	PART NO.	DESCRIPTION	Q' TY		REMARKS
			C	V	
36	08316-20063	NUT, BATTERY BOLT BRACKET	1	1	4 VALVE
37	72491-60A00	CAP, CLUTCH CABLE HOLE	1	1	AT
38-1	72511-86000	BAND, BATTERY	1	1	2VALVE
38-2	35309-00000	BAND, BATTERY	1	1	4 VALVE
39-1	72512-85C10	BOLT, BATTERY	1	1	2 VALVE
39-2	72512-85C00	BOLT, BATTERY	1	1	4 VALVE
40	72512-85C10	BOLT, BATTERY	1	1	
41	08361-15063	NUT, BATTERY	2	2	

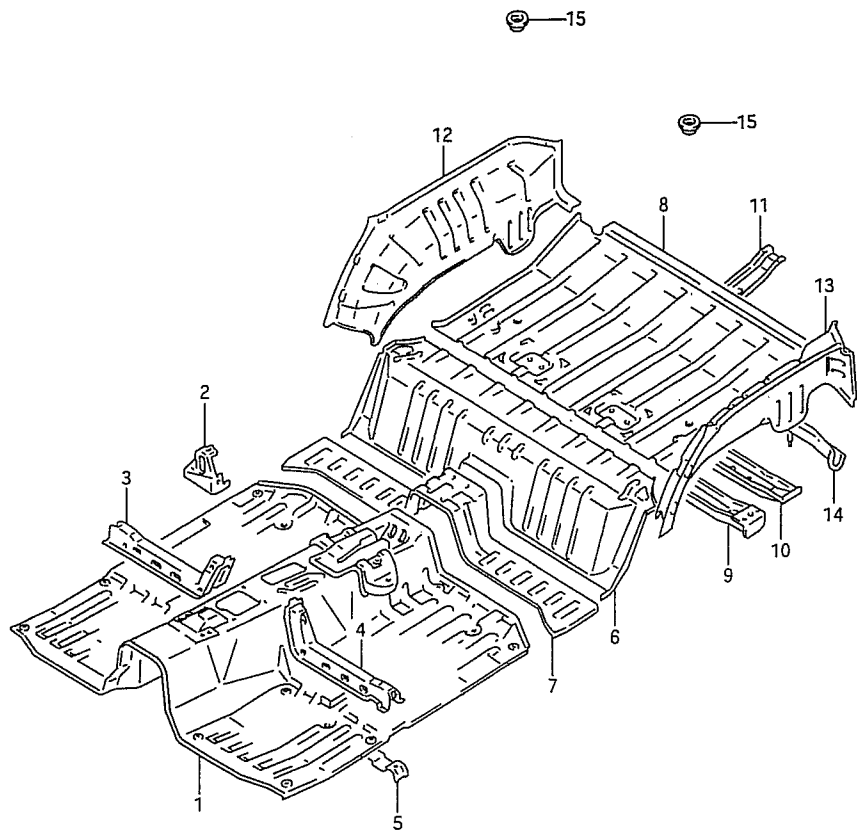
# FIG. 145



# FIG 145. FLOOR PANEL (3DR)

REF. NO.	PART NO.	DESCRIPTION	QTY		REMARKS
			C	V	
1-1	61400-63A80	PANEL SET, FRONT FLOOR	1	1	MT
1-2	61400-63A90	PANEL SET, FRONT FLOOR	1	1	AT
2	61440-60A00	.BRACKET, JACK	1	1	
3	61450-60A10	.MEMBER, FRONT SEAT RH	1	1	
4	61550-60A10	.MEMBER, FRONT SEAT LH	1	1	
5	61461-60A00	.BRACKET, SEAT REAR OUTER RH	1	1	
6	61561-60A00	.BRACKET, SEAT REAR OUTER LH	1	1	
7	61641-60A10	.REINF, SEAT BELT CENTER	1	1	
8	62111-60A20	PANEL, REAR FLOOR	1	1	
9	62120-60A10	MEMBER, REAR FLOOR	1	1	
10-1	62210-60A30	PANEL, WHEEL HOUSE INNER RH	1	-	
10-2	62210-60A20	PANEL, WHEEL HOUSE INNER RH	-	1	
11	62131-60A00	.REINF, SEAT BELT SIDE RH	1	1	
12	62132-60A00	.COVER, SEAT BELT SIDE	1	1	
13-1	62310-85C30	PANEL, WHEEL HOUSE INNER LH	1	-	
13-2	62310-85C20	PANEL, WHEEL HOUSE INNER LH	-	1	
14	62331-85C00	.REINF, SEAT BELT SIDE LH	1	1	
15	62132-60A00	.COVER, SEAT BELT SIDE	1	1	
16	62510-62A40	MEMBER, REAR FLOOR TAIL	1	1	
17	65995-60A01	COVER, REAR WHEEL HOSE RH	1	1	
18	65996-60A01	COVER, REAR WHEEL HOSE LH	1	1	
19	01550-06123	SCREW	7	7	
20	65971-77E00	CAP, REAR FLOOR	2	2	

# FIG. 146



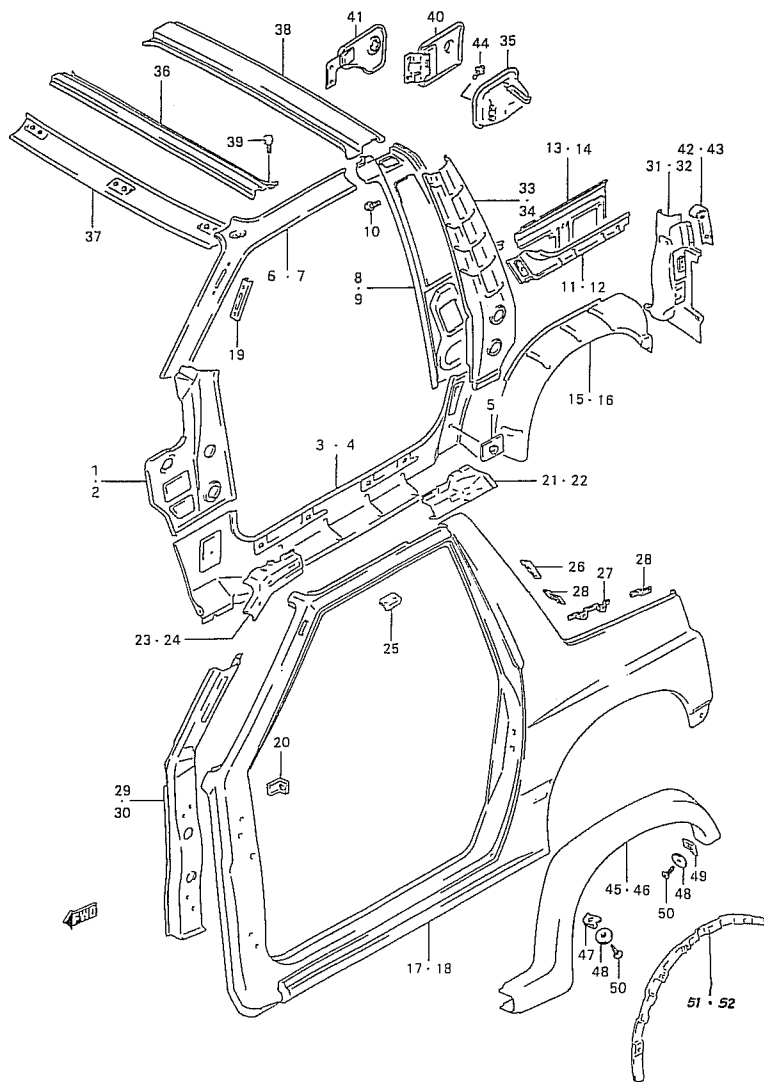
## FIG 146. FLOOR PANEL (5DR)

REF. NO.	PART NO.	DESCRIPTION	Q' TY		REMARKS
			C	V	
1-1	61400-58810	PANEL ASSY, FRONT FLOOR		1	MT
1-2	61400-58B70	PANEL ASSY, FRONT FLOOR		1	AT
2	61440-60A00	.BRACKET, JACK		1	
3	61450-56B00	.MEMBER, FRONT SEAT RH		1	
4	61550-56B00	.MEMBER, FRONT SEAT LH		1	
5	61641-60A10	.REINF, SEAT BELT CENTER		1	
6	61700-56B10	PANEL ASSY, CENTER FLOOR		1	
7	61760-56B50	PANEL, CENTER FLOOR FRONT		1	
8	62111-56B20	PANEL, REAR FLOOR		1	
9	62120-56B50	MEMBER, REAR FLOOR NO.1		1	
10	62131-56B50	MEMBER, REAR FLOOR NO.2		1	
11	62141-56B50	MEMBER, REAR FLOOR NO.3		1	
12	62210-56B10	PANEL, REAR WHEEL HOUSING IN.RH		1	-
13	62310-56B00	PANEL, REAR WHEEL HOUSING IN.LH		1	-
14	62510-57B21	MEMBER, REAR FLOOR TAIL		1	
15	65971-77E00	CAP, REAR FLOOR		2	

4WD

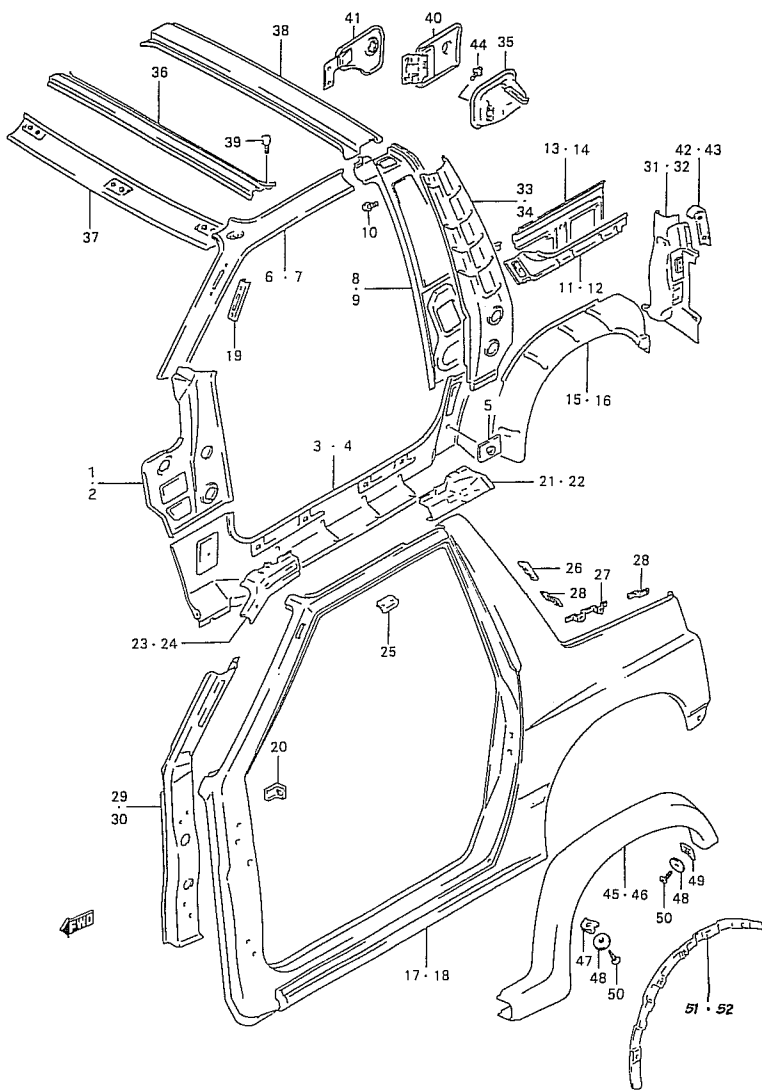
# FIG. 147

# FIG 147. SIDE BODY (C)



REF. NO.	PART NO.	DESCRIPTION	QTY		REMARKS
			C	V	
1	61480-57B10	PANEL, FRONT PILLAR INNER RH		1	
2	61580-57B10	PANEL, FRONT PILLAR INNER LH		1	
3	61490-60A00	PANEL, SILL SIDE INNER RH		1	
4	61590-60A00	PANEL, SILL SIDE INNER LH		1	
5	61492-80000	.REINF, SEAT BELT LOWER		2	
6-1	63111-60A10	PANEL, ROOF SIDE INNER RH		1	JX
6-2	63111-60A20	PANEL, ROOF SIDE INNER RH		1	JLX
7-1	63511-60A00	PANEL, ROOF SIDE INNER LH		1	JX
7-2	63511-60A30	PANEL, ROOF SIDE INNER LH		1	JLX
8-1	63210-62A20	PANEL, CENTER PILLAR INNER RH		1	MY97:2V, MY98:JX
8-2	63210-85C00	PANEL, CENTER PILLAR INNER RH		1	MY97:4V, MY98:JLX
9-1	63610-62A20	PANEL, CENTER PILLAR INNER LH		1	MY97:2V, MY98:JX
9-2	63610-85C00	PANEL, CENTER PILLAR INNER LH		1	MY97:4V, MY98:JLX
10	01550-06123	SCREW, SEAT BELT REINF		8	
11	63221-60A10	REINF, REAR QTR INNER RH		1	
12	63621-60A10	REINF, REAR QTR INNER RH		1	
13	63310-60A00	PANEL, REAR QTR INNER RH		1	
14	63710-60A10	PANEL, REAR QTR INNER LH		1	
15	63410-60A00	PANEL, WHEEL HOUSE OUTER RH		1	
16	63811-60A00	PANEL, WHEEL HOUSE OUTER LH		1	
17-1	64110B63A00	PANEL, SIDE BODY OUTER RH		1	LHD:2 VALVE
17-2	64111-85CA0	PANEL, SIDE BODY OUTER RH		1	LHD:SPECIAL:JHT
17-3	64110B60A90	PANEL, SIDE BODY OUTER RH		1	RHD:2 VALVE
17-4	64111-66A10	PANEL, SIDE BODY OUTER RH		1	LHD:SPECIAL:FAST TOP
18-1	64510B63A00	PANEL, SIDE BODY OUTER LH		1	LHD:2 VALVE
18-2	64511-85CA0	PANEL, SIDE BODY OUTER LH		1	LHD:SPECIAL:JHT
18-3	64511-60A10	PANEL, SIDE BODY OUTER LH		1	RHD:2 VALVE
18-4	64511-85CB0	PANEL, SIDE BODY OUTER LH		1	LHD:SPECIAL:FAST TOP
19	64151-60A00	REINF, RADIO ANTENNA		1	
20	64214-60A00	BRACKET, COWL SIDE GERNISH		2	
21	64215-60A02	EXTENSION, SIDE BODY RH		1	
22	64515-60A02	EXTENSION, SIDE BODY LH		1	
23	64216-60A00	REINF, FR PILLAR UPPER RH		1	
24	64516-60A00	REINF, FR PILLAR UPPER LH		1	
25	64217-60A00	REINF, SOFT TOP HINGE		2	
26	64218-60A00	REINF, SOFT TOP SIDE		2	MY97:2V, MY98:JX
27	64219-85C00	BRACKET, SOFT TOP GARNISH SIDE		2	MY97:4V, MY98:JLX
28	64219-85C10	BRACKET, SOFT TOP GARNISH		4	MY97:4V, MY98:JLX
29	64120-60A10	REINF, FRONT PILLAR RH		1	
30	64520-60A10	REINF, FRONT PILLAR LH		1	

# FIG. 147

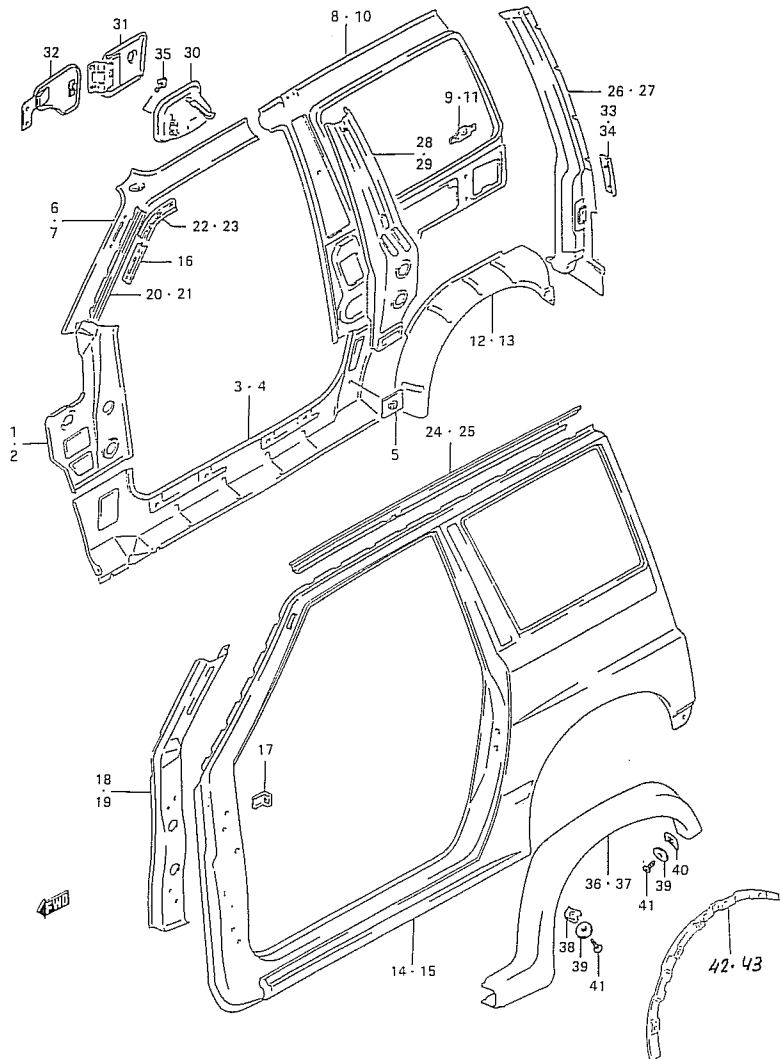


# FIG 147. SIDE BODY (C)

REF. NO.	PART NO.	DESCRIPTION	QTY		REMARKS
			C	V	
31	64310-60A00	PANEL, REAR PILLAR OUTER RH		1	
32	64710-60A10	PANEL, REAR PILLAR OUTER LH		1	
33	64250-62A20	REINF, CENTER PILLAR RH		1	
34	64550-62A20	REINF, CENTER PILLAR LH		1	
35	64230-60A00	BOX, FUEL INLET		1	
36	65110-60A00	PANEL, FRONT PILLAR JOINT		1	
37-1	65115-60A00	PANEL, FR PILLER JOINT INNER		1	JX
37-2	65115-60A10	PANEL, FR PILLER JOINT INNER		1	JLX
38-1	65120-60A10	PANEL, CENTER PILLER JOINT		1	MY97:2V,MY98:JX
38-2	65120-85C00	PANEL, CENTER PILLER JOINT		1	MY97:4V,MY98:JLX
39	01550-06123	BOLT		2	
40	65950-60A00	LID, FUEL INLET		1	MY97:N/WIDE; MY98
41	99000-990YC-086	LID, FUEL INLET (PRIMARY COAT)		1	MY97:W/WIDE (PAINT TO MAT
42	65965-60A00	GARNISH, REAR PILLAR RH		1	
43	65966-60A00	GARNISH, REAR PILLAR LH		1	
44	02142-05123	SCREW		2	
45	77212-85C10-799	EXTENSION, RR FENDER RH		1	MY97:W/WIDE (PAINT TO MAT
46	77222-85C10-799	EXTENSION, RR FENDER LH		1	MY97:W/WIDE (PAINT TO MAT
47	77214-85C00	NUT, RR EXTENSION		8	MY97:W/WIDE
48	77215-85C01	WASHER, EXTENSION		10	MY97:W/WIDE
49	77216-85C00	NUT, RR EXTENSION NO.2		2	MY97:W/WIDE
50	03111-04203	SCREW, EXTENSION		10	MY97:W/WIDE
51	64260-66A00	HOLDER, RR SPLASH GUARD RH		1	MY98:SPECIAL
52	64660-66A00	HOLDER, RR SPLASH GUARD LH		1	MY98:SPECIAL



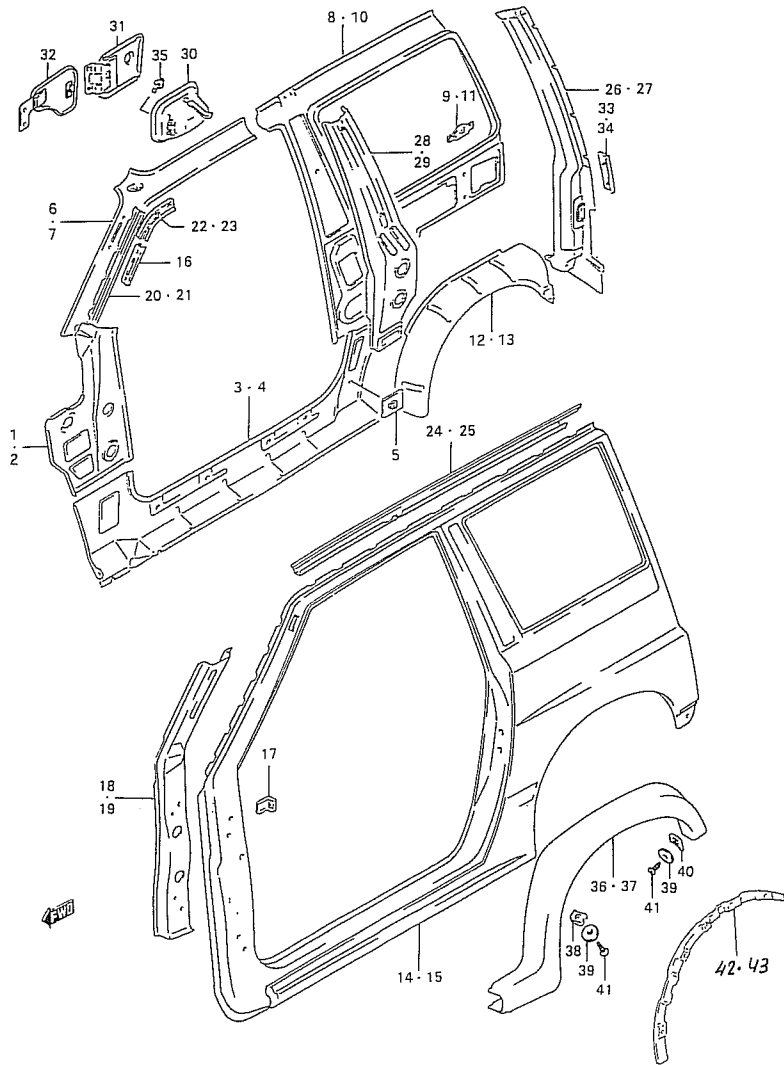
# FIG. 148



# FIG 148. SIDE BODY (V:3DR)

REF. NO.	PART NO.	DESCRIPTION	Q' TY		REMARKS
			C	V	
1	61480-57B10	PANEL, FRONT PILLAR INNER RH		1	
2	61580-57B10	PANEL, FRONT PILLAR INNER LH		1	
3	61490-60A00	PANEL, SILL SIDE INNER RH		1	
4	61590-60A00	PANEL, SILL SIDE INNER LH		1	
5	61492-80000	.REINF, SEAT BELT LOWER		2	
6-1	63111-61A30	PANEL, ROOF SIDE INNER RH		1	JX
6-2	63111-61A20	PANEL, ROOF SIDE INNER RH		1	JLX
7-1	63511-61A30	PANEL, ROOF SIDE INNER LH		1	JX
7-2	63511-61A20	PANEL, ROOF SIDE INNER LH		1	JLX
8-1	63210-63A60	PANEL, SIDE BODY INNER RH		1	JX
8-2	63210-63A70	PANEL, SIDE BODY INNER RH		1	JLX
9	63312-56B00	.REINF, RETRACTOR RH		1	
10-1	63610-63A60	PANEL, SIDE BODY INNER LH		1	JX
10-2	63610-63A70	PANEL, SIDE BODY INNER LH		1	JLX
11	63712-56B00	.REINF, RETRACTOR LH		1	
12	63410-60A00	PANEL, WHEEL HOUSE OUTER RH		1	
13	63811-60A00	PANEL, WHEEL HOUSE OUTER LH		1	
14-1	64110-61A20	PANEL, SIDE BODY OUTER RH		1	LHD
14-2	64111-78E10	PANEL, SIDE BODY OUTER RH		1	MY98, LHD: SPECIAL
14-3	64111-61A30	PANEL, SIDE BODY OUTER RH		1	RHD
15-1	64510-62A40	PANEL, SIDE BODY OUTER LH		1	LHD
15-2	64511-78E30	PANEL, SIDE BODY OUTER LH		1	MY98, LHD: SPECIAL
15-3	64511-61A10	PANEL, SIDE BODY OUTER LH		1	RHD
16	64151-60A00	REINF, RADIO ANTENNA		1	
17	64214-60A00	BRACKET, COWL SIDE GARNISH		2	
18	64120-60A10	REINF, FRONT PILLAR RH		1	
19	64520-60A10	REINF, FRONT PILLAR LH		1	
20	64130-61A00	PANEL, FRONT WINDOW SIDE RH		1	
21	64530-61A00	PANEL, FRONT WINDOW SIDE LH		1	
22	64141-61A00	REINF, FRONT PILLAR UPPER RH		1	
23	64541-61A00	REINF, FRONT PILLAR UPPER LH		1	
24	64241-61A00	RAIL, ROOF SIDE OUTER RH		1	
25	64641-61A00	RAIL, ROOF SIDE OUTER LH		1	
26	64310-61A01	PANEL, BACK PILLAR OUTER RH		1	
27	64710-61A21	PANEL, BACK PILLAR OUTER LH		1	
28	64250-61A00	REINF, CENTER PILLAR RH		1	
29	64650-61A00	REINF, CENTER PILLAR LH		1	
30-1	64230-60A00	BOX, FUEL INLET		1	JX
30-2	64231-60A10	BOX, FUEL INLET		1	JLX

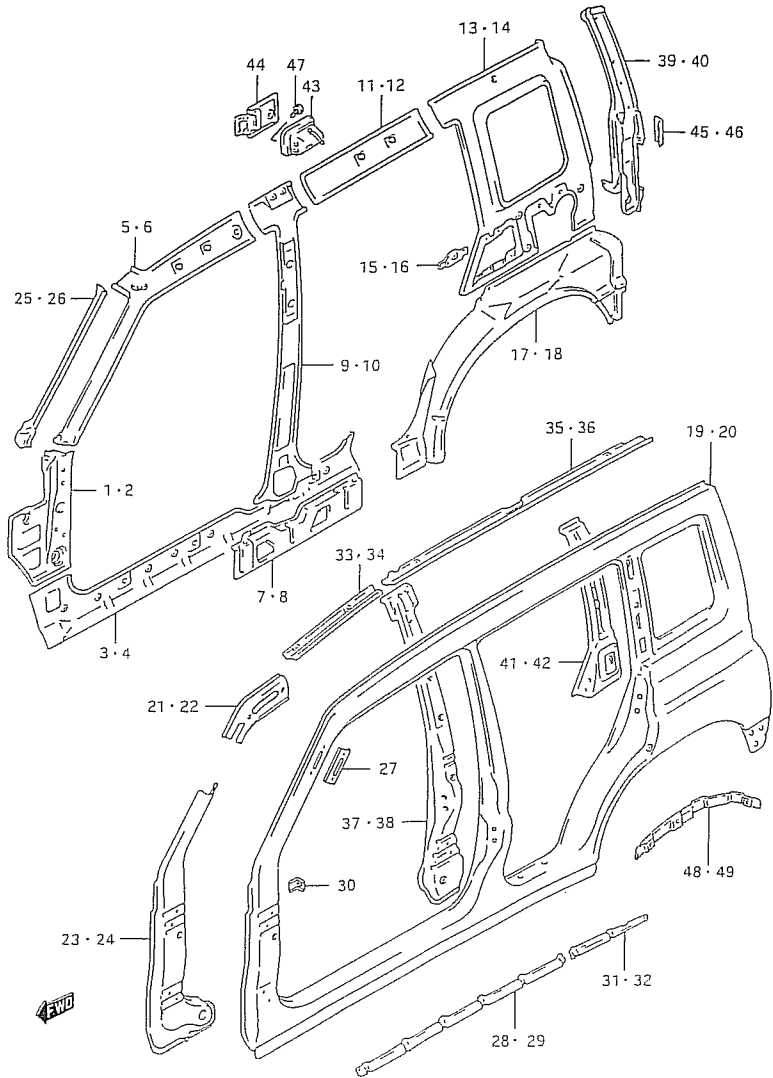
# FIG. 148



## FIG 148. SIDE BODY (V:3DR)

REF. NO.	PART NO.	DESCRIPTION	Q'TY		REMARKS
			C	V	
31-1	65950-60A00	LID, FUEL INLET		1	JX
31-2	65950-60A20	LID, FUEL INLET		1	MY97:JLX:N/ WIDE;MY98:JLX
32	99000-990YC-085	LID, FUEL INLET (PRIMARY COAT)		1	MY97:JLX:/WIDE
33	65965-61A00	GARNISH, BACK PILLAR RH		1	
34	65966-61A00	GARNISH, BACK PILLAR LH		1	
35	02142-05123	SCREW		2	
36	77212-85C10-799	EXTENSION, RR FENDER RH		1	MY97:W/WIDE (PAINT TO MAT
37	77222-85C10-799	EXTENSION, RR FENDER LH		1	MY97:W/WIDE (PAINT TO MAT
38	77214-85C00	NUT, RR EXTENSION		8	MY97:W/WIDE
39	77215-85C01	WASHER, EXTENSION		10	MY97:W/WIDE
40	77216-85C00	NUT, RR EXTENSION NO.2		2	MY97:W/WIDE
41	03111-04203	SCREW, EXTENSION		10	MY97:W/WIDE
42	64260-66A00	HOLDER, RR SPLASH GUARD RH		1	MY98:SPECIAL
43	64660-66A00	HOLDER, RR SPLASH GUARD LH		1	MY98:SPECIAL

# FIG. 149



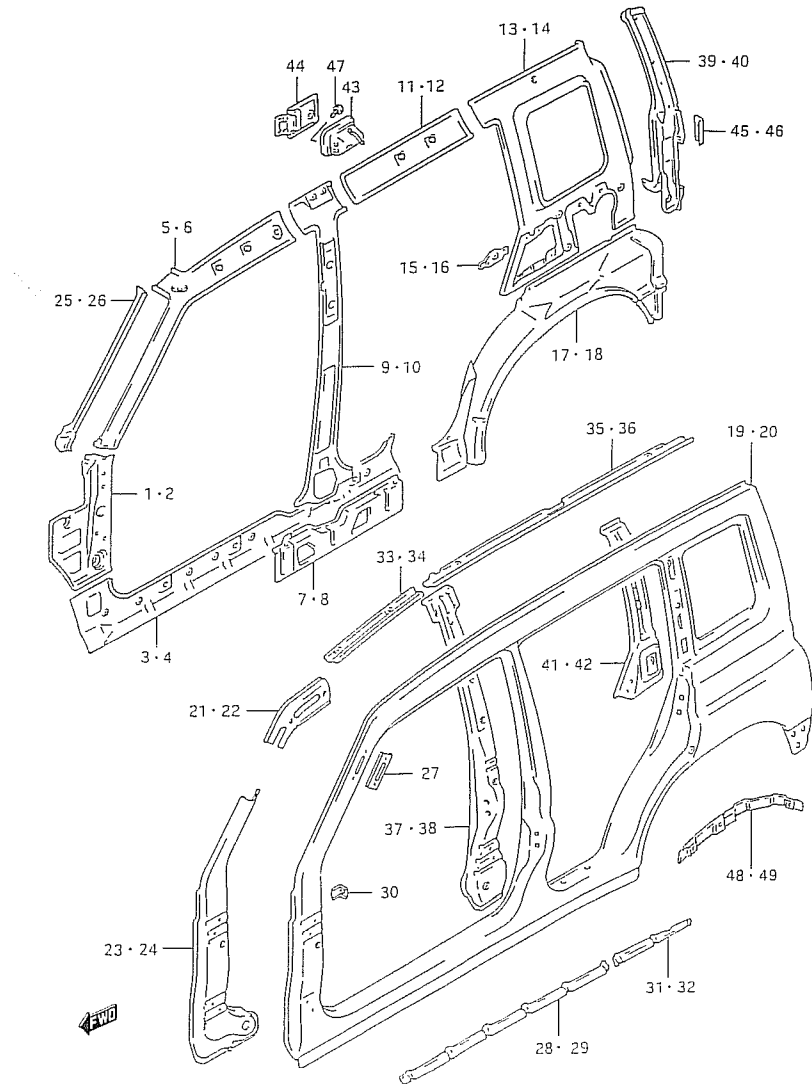
# FIG 149. SIDE BODY PANEL (V:5DR)

REF. NO.	PART NO.	DESCRIPTION	Q' TY		REMARKS
			C	V	
1	61480-57B10	PANEL, FR PILLAR INNER RH		1	
2	61580-57B10	PANEL, FR PILLAR INNER LH		1	
3	61491-56B00	PANEL, SIDE SILL INNER RH		1	
4	61591-56B00	PANEL, SIDE SILL INNER LH		1	
5-1	63111-56B30	PANEL, ROOF SIDE INNER RH		1	JX
5-2	63111-56B20	PANEL, ROOF SIDE INNER RH		1	JLX
6-1	63511-56B30	PANEL, ROOF SIDE INNER LH		1	JX
6-2	63511-56B20	PANEL, ROOF SIDE INNER LH		1	JLX
7	63121-56B00	STRENGTH, SIDE SILL RH		1	
8	63521-56B00	STRENGTH, SIDE SILL LH		1	
9	63210-56B40	PANEL, CTR PILLAR INNER RH		1	
10	63610-56B40	PANEL, CTR PILLAR INNER LH		1	
11	63221-56B10	PANEL, ROOF SIDE INNER RR RH		1	
12	63621-56B10	PANEL, ROOF SIDE INNER RR LH		1	
13-1	63311-56B11	PANEL, REAR QTR INNER RH		1	JX
13-2	63311-56B01	PANEL, REAR QTR INNER RH		1	JLX
14-1	63711-56B11	PANEL, REAR QTR INNER LH		1	JX
14-2	63711-56B01	PANEL, REAR QTR INNER LH		1	JLX
15	63312-56B00	REINFORCEMENT, RETRACTOR RH		1	
16	63712-56B00	REINFORCEMENT, RETRACTOR LH		1	
17	63410-56B00	PANEL, RR WHEEL HOUSING OUTER R		1	
18	63810-56B00	PANEL, RR WHEEL HOUSING OUTER L		1	
19-1	64111-57B20	PANEL, SIDE BODY OUTER RH		1	LHD
19-2	64111-77E20	PANEL, SIDE BODY OUTER RH		1	LHD:SPECIAL
19-3	64111-57B10	PANEL, SIDE BODY OUTER RH		1	RHD
20-1	64511-57B10	PANEL, SIDE BODY OUTER LH		1	LHD
20-2	64511-77E10	PANEL, SIDE BODY OUTER LH		1	LHD:SPECIAL
20-3	64511-57B20	PANEL, SIDE BODY OUTER LH		1	RHD
21	64112-56B00	REINF, FR PILLAR UPPER RH		1	
22	64512-56B00	REINF, FR PILLAR UPPER LH		1	
23	64120-57B01	PANEL, FRONT PILLAR OUTER RH		1	
24	64520-57B01	PANEL, FRONT PILLAR OUTER LH		1	
25	64130-61A00	PANEL, FRONT WINDOW SIDE RH		1	
26	64530-61A00	PANEL, FRONT WINDOW SIDE LH		1	
27	64151-60A00	REINF, RADIO ANTENNA		1	
28	64211-56B00	BRACKET, SIDE SILL PROTECTOR FR		1	-
29	64611-56B00	BRACKET, SIDE SILL PROTECTOR FR		1	-
30	64214-60A00	BRACKET, COWL SIDE GARNISH RR		2	
31	64221-56B00	BRACKET, SIDE SILL PROTECTOR RH		1	-
32	64621-56B00	BRACKET, SIDE SILL PROTECTOR LH		1	-

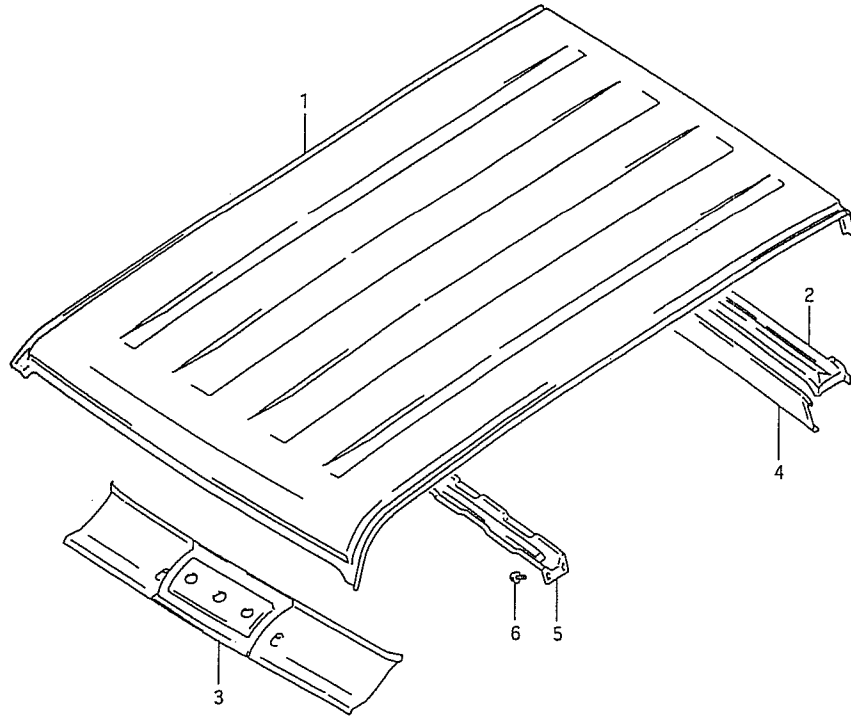
# FIG. 149

# FIG 149. SIDE BODY PANEL (V:5DR)

REF. NO.	PART NO.	DESCRIPTION	Q' TY		REMARKS
			C	V	
33	64231-56B10	RAIL, ROOF SIDE OUTER FR RH		1	
34	64631-56B10	RAIL, ROOF SIDE OUTER FR LH		1	
35	64241-56B10	RAIL, ROOF SIDE OUTER RR RH		1	
36	64641-56B10	RAIL, ROOF SIDE OUTER RR LH		1	
37	64250-56B01	REINF, CENTER PILLAR RH		1	
38-1	64650-56B00	REINF, CENTER PILLAR LH		1	MY97,
38-2	64650-56B01	REINF, CENTER PILLAR LH		1	MY98,
39	64310-56B01	PANEL, BACK PILLAR OUTER RH		1	
40	64710-56B11	PANEL, BACK PILLAR OUTER LH		1	
41	64360-56B00	REINF, RR PILLAR RH		1	
42	64760-56B00	REINF, RR PILLAR LH		1	
43-1	64370-56B10	BOX, FUEL INLET		1	JX
43-2	64370-56B00	BOX, FUEL INLET		1	JLX
44-1	65950-56B10	LID, FUEL INLET		1	JX
44-2	65950-56B00	LID, FUEL INLET		1	JLX
45	65965-61A00	GARNISH, BACK PILLAR RH		1	
46	65966-61A00	GARNISH, BACK PILLAR LH		1	
47	02142-05123	SCREW		2	
48	64381-58B00	HOLDER, SIDE BODY EXT RH		1	MY98:SPECIAL
49	64781-58B00	HOLDER, SIDE BODY EXT LH		1	MY98:SPECIAL



# FIG. 150



## FIG 150. ROOF PANEL (3DR:V)

REF. NO.	PART NO.	DESCRIPTION	Q' TY		REMARKS
			C	V	
1	65111-61A10	PANEL, ROOF		1	
2	65120-61A00	EXTENSION, ROOF REAR		1	
3	65130-61A20	PANEL, ROOF FRONT INNER		1	
4	65141-61A20	PANEL, ROOF BACK INNER		1	
5-1	65981-61A10	REINF, ROOF PANEL		1	JX
5-2	65981-61A10	REINF, ROOF PANEL		1	JLX
6	01550-06123	SCREW, ROOF PANEL		4	



# FIG. 151

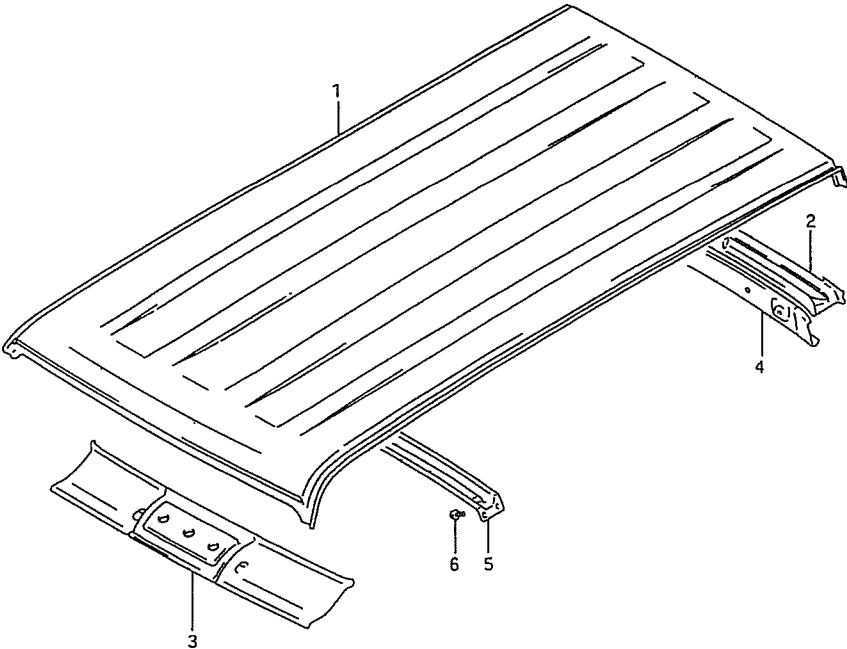
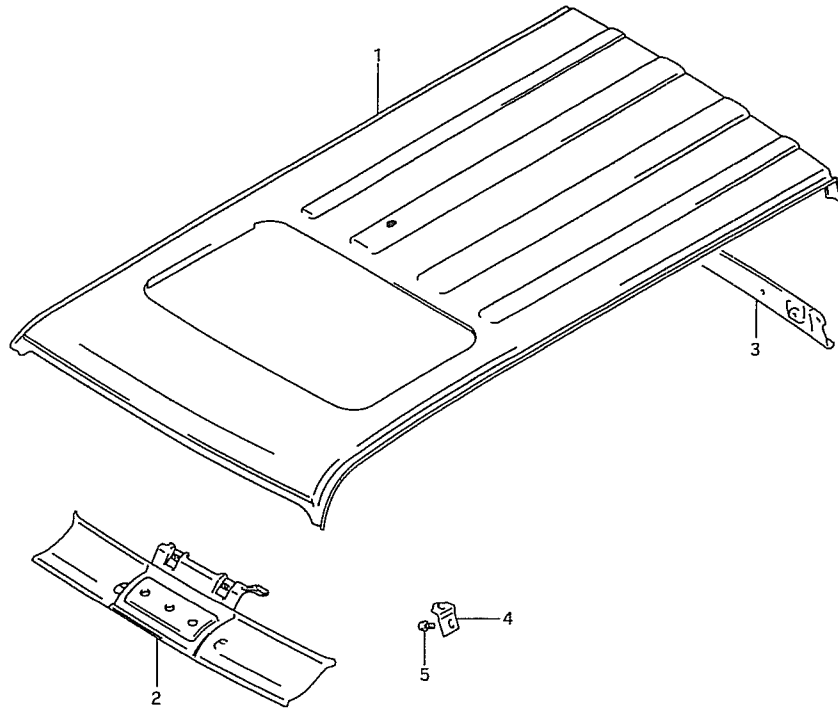


FIG 151. ROOF PANEL (5DR)

REF. NO.	PART NO.	DESCRIPTION	Q' TY		REMARKS
			C	V	
1	65111-56B00	PANEL, ROOF		1	
2	65120-56B00	EXTENTION, ROOF REAR		1	
3	65130-61A20	PANEL, ROOF FRONT INNER		1	
4	65141-56B00	PANEL, ROOF BACK INNER		1	
5	65981-56B00	REINFORCEMENT, ROOF PANEL		1	
6	01550-06123	SCREW		4	

# FIG. 152

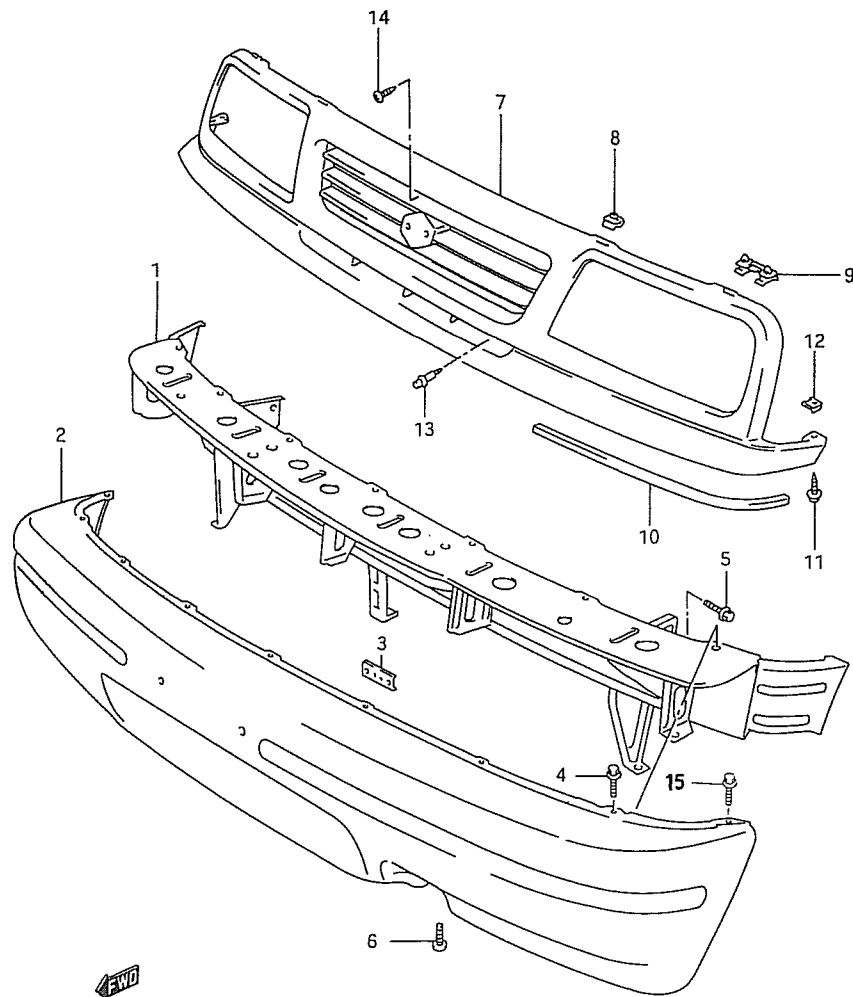


## FIG 152. ROOF PANEL (5DR: SUN ROOF)

REF. NO.	PART NO.	DESCRIPTION	Q' TY		REMARKS
			C	V	
1	65110-56B20	PANEL, ROOF		1	
2	65130-56B20	PANEL, ROOF FRONT INNER		1	
3	65141-56B00	PANEL, ROOF BACK INNER		1	
4	65982-56B00	BRACKET, SUN ROOF REINF		2	
5	01550-06123	SCREW		2	



# FIG. 153

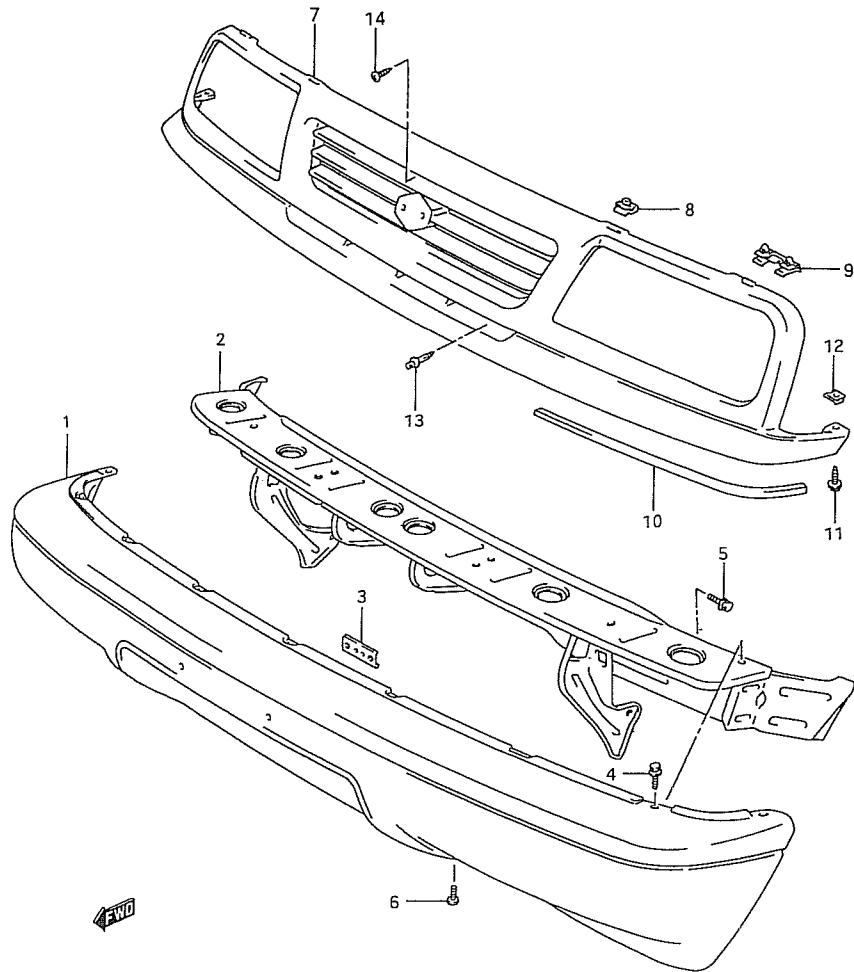


## FIG 153. FRONT BUMPER AND GRILLE (3DR)

REF. NO.	PART NO.	DESCRIPTION	QTY		REMARKS
			C	V	
1-1	71700-63A00	MEMBER ASSY, FRONT BUMPER	1	1	PETROL
1-2	71720-56B10	MEMBER ASSY, FRONT BUMPER	1	1	T. DIESEL
2-1	71711-63A10-5PK	BUMPER, FRONT (BLACK)	1	1	PETROL:JX
2-2	71711-63A90-799	BUMPER, FRONT (PRIMARY COAT)	1	1	PETROL:JLX, PAINT TO MATCH
2-3	71700-56810-5PK	BUMPER, FRONT (BLACK)	1	1	T.DIESEL:JL, PAINT TO MATC
2-4	71711-56B20-799	BUMPER, FRONT (PRIMARY COAT)	1	1	T.DIESEL:JLX, PAINT TO MAT
3-1	71771-60A00	RETAINER, FRONT LICENSE PLATE	2	2	PETROL
3-2	71771-56B00	RETAINER, FRONT LICENSE PLATE	2	2	T.DIESEL
4	71869-60A00	BOLT, BUMPER	7	7	
5	01517-08123	BOLT, FRONT BUMPER MEMBER	4	4	
6	02142-06163	SCREW, FRONT BUMPER	6	6	
7	72111-56B11	GRILLE, FRONT	1	1	PAINT TO MATCH
8	72115-56B01	CLIP, FRONT GRILLE	2	2	
9	72115-60A00	CLIP, FRONT GRILLE	2	2	
10	72121-56B00	SEAL, FRONT GRILLE	2	2	
11	59941-85C00	SCREW, FRONT GRILLE SIDE	2	2	
12	09148A05003	NUT, FRONT GRILLE	3	3	
13	09409-07313	CLIP, FRONT GRILLE	2	2	
14	03212-05255	SCREW, FRONT GRILLE CENTER	1	1	
15	59972-85C00	BOLT, BUMPER	2	2	



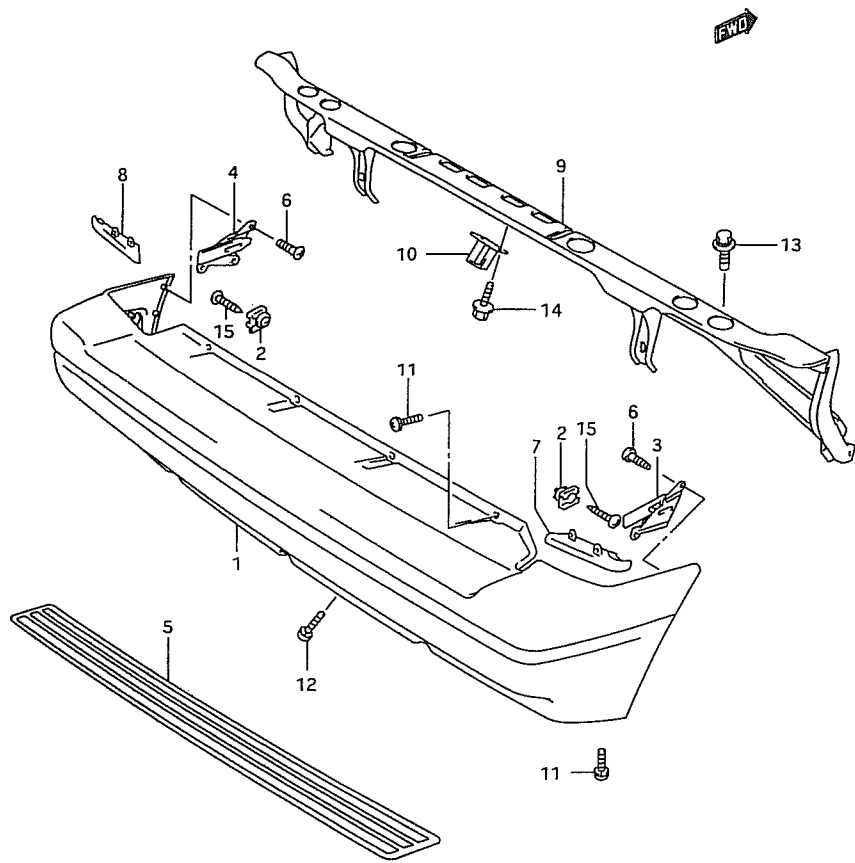
# FIG. 154



# FIG 153. FRONT BUMPER AND GRILLE (5DR)

REF. NO.	PART NO.	DESCRIPTION	C	QTY	V	REMARKS
1-1	71700-56810-5PK	BUMPER, FRONT (BLACK)		1		JX
1-2	71711-56B20-799	BUMPER, FRONT (PRIMARY COAT)		1		JLX, PAINT TO MATCH
2	71720-56B10	MEMBER, FR BUMPER		1		
3	71771-56B00	RETAINER, FR LICENSE PLATE		2		
4	59972-85C00	BOLT		9		
5	01517-08123	BOLT		4		
6	01550-06123	SCREW		4		
7	72111-56B11	GRILLE, FRONT		1		PAINT TO MATCH
8	72115-56B01	CLIP, FR GRILLE		2		
9	72115-60A00	CLIP, FR GRILLE		2		
10	72121-56B00	SEAL, FR GRILLE		2		
11	59941-85C00	SCREW		2		
12	09148A05003	NUT		3		
13	09409-07313	CLIP		2		
14	03212-05255	SCREW		1		

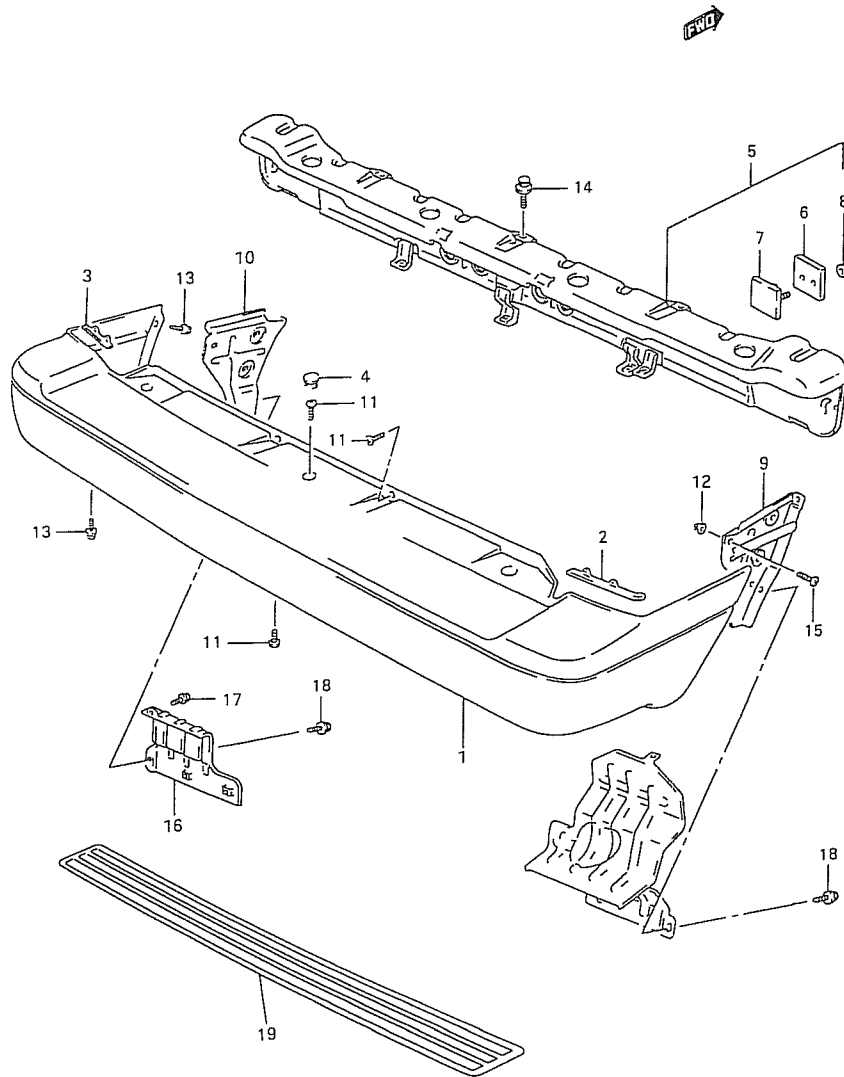
# FIG. 155



## FIG 155. REAR BUMPER (3DR)

REF. NO.	PART NO.	DESCRIPTION	Q' TY		REMARKS
			C	V	
1-1	71811-63A30-5PK	BAR, RR BUMPER (BLACK)	1	1	JX
1-2	71811-63A30-799	BAR, RR BUMPER (PRIMARY COAT)	1	1	JLX, PAINT TO MATCH
2	71752-86000	SUPPORT, BUMPER SIDE	2	2	
3	71751-63A00	ATTACHMENT, BUMPER SIDE RH	1	1	
4	71752-63A00	ATTACHMENT, BUMPER SIDE LH	1	1	
5	71817-60A20	GARNISH, RR BUMPER UPPER	1	1	JLX
6	03241-04103	SCREW, ATTACHMENT	6	6	
7	71815-60A01	SPACER, RR BUMPER SIDE RH	1	1	
8	71816-60A01	SPACER, RR BUMPER SIDE LH	1	1	
9	71820-63A11	MEMBER, RR BUMPER	1	1	
10	71854-60A00	STAY, RR BUMPER LOWER CENTER	1	1	
11	71869-60A00	BOLT, RR BUMPER	2	2	
12	09139-06052	SCREW, RR BUMPER (6X14)	7	7	
13	01500-08203	BOLT, RR BUMPER MEMBER	5	5	
14	01500-08203	BOLT, LOWER CENTER STAY	2	2	
15	03511-05123	SCREW, BUMPER SUPPORT	2	2	

# FIG. 156

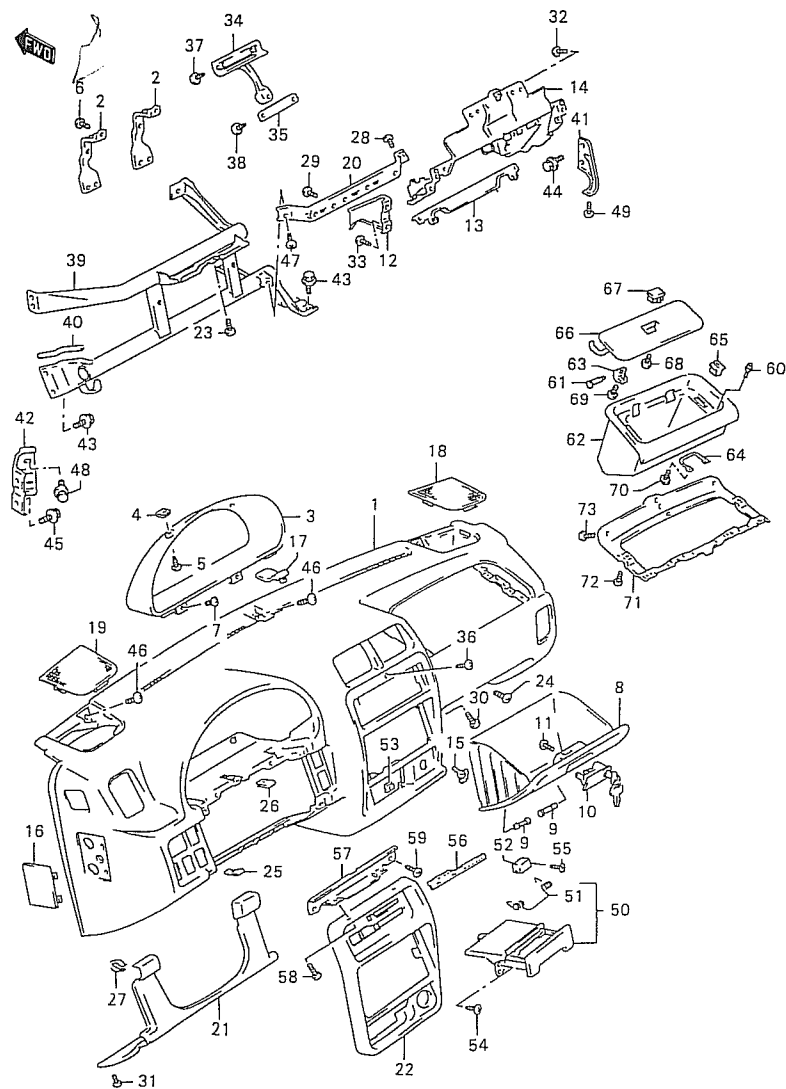


## FIG 156. REAR BUMPER (5DR)

REF. NO.	PART NO.	DESCRIPTION	Q' TY		REMARKS
			C	V	
1-1	71811-56B10-5PK	BUMPER, REAR (BLACK)		1	JX
1-2	71811-56B30-799	BUMPER, REAR (PRIMARY COAT)		1	JLX, PAINT TO MATCH
2	71815-60A01	SPACER, RR BUMPER SIDE RH		1	
3	71816-60A01	SPACER, RR BUMPER SIDE LH		1	
4	71817-56B00-5PK	CAP, REAR BUMPER (BLACK)		3	
5	71820-56B21	MEMBER, RR BUMPER		1	
6	71827-56B10	.WEIGHT, NO.1		2	
7	71828-56B10	.WEIGHT, NO.2		2	
8	08310-10083	.NUT, RR BUMPER WEIGHT		4	
9	71830-56B00	BRACKET, RR BUMPER SIDE RH		1	
10	71840-56B00	BRACKET, RR BUMPER SIDE LH		1	
11	09139-06052	SCREW, RR BUMPER (6X14)		8	
12	59981-85C00	NUT, RR BUMPER SIDE BRACKET		6	
13	01550-06123	BOLT, RR BUMPER SIDE		4	
14	01500-08203	BOLT, RR BUMPER MEMBER		5	
15	03241-16163	SCREW, RR BUMPER SIDE BRACKET		6	
16	72281-56B00	STAY, REAR MUD FLAP LH		1	
17	51791-85C00	SCREW, MUD FLAP STAY (6X12)		2	
18	02162-06163	SCREW, BUMPER MEMBER		2	
19	71817-60A20	GARNISH, RR BUMPER UPPER		1	MY98:SPECIAL

# FIG. 157

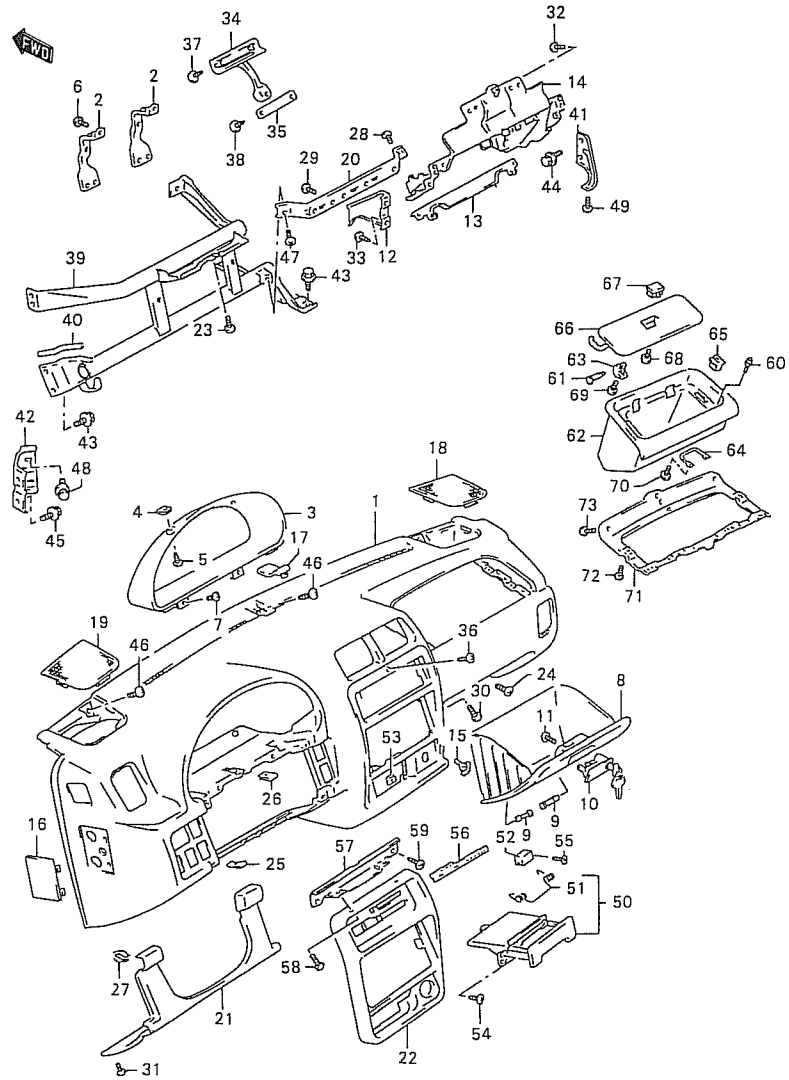
# FIG 157. INSTRUMENT PANEL (LHD: N/AIR BAG)



REF. NO.	PART NO.	DESCRIPTION	C	Q' TY	V	REMARKS
1-1	73111-77E12-5ES	PANEL, INSTRUMENT (BLACK)	1	1		MY97,
1-2	73111-77E12-T01	PANEL, INSTRUMENT (GRAY)	1	1		MY98,
2	73261-50G00	STAY, SPEEDOMETER	2	2		
3	73311-77E00-5PK	GARNISH, METER CLUSTER (BLACK)	1	1		
4	09148-05038	NUT, METER GARNISH UPPER	2	2		
5	03141-05128	SCREW, METER GARNISH UPPER	2	2		
6	03541-05163	SCREW, SPEEDOMETER STAY	4	4		
7	03541-05163	SCREW, METER GARNISH LOWER	2	2		
8-1	73410-77E00-5ES	BOX ASSY, GLOVE (BLACK)	1	1		MY97,
8-2	73410-77E00-T01	BOX ASSY, GLOVE (GRAY)	1	1		MY98,
9	73423-50G00	PIN, GLOVE BOX HINGE	2	2		
10-1	73430-77810-5ES	LOCK, GLOVE BOX (BLACK)	1	1		MY97,
10-2	73430-77810-T01	LOCK, GLOVE BOX (GRAY)	1	1		MY98,
11	73419-50G00	SCREW, GLOVE BOX LOCK	2	2		
12	73231-77E00	BRACKET, RADIO	1	1		
13	73242-77E00	HOLDER, ASSISTANT CENTER	1	1		
14	73250-77E11	PLATE, KNEE BOLSTER	1	1		
15	73461-77E00	CUSHION, GLOVE BOX DOOR SIDE	2	2		
16-1	73811-77E00-5ES	CAP, SIDE (BLACK)	2	2		MY97,
16-2	73811-77E00-T01	CAP, SIDE (GRAY)	2	2		MY98,
17-1	73813-77E00-5ES	CAP, UPPER CENTER (BLACK)	1	1		MY97,
17-2	73813-77E00-T01	CAP, UPPER CENTER (GRAY)	1	1		MY98,
18-1	73821-77E00-5ES	COVER, SPEAKER RH (BLACK)	1	1		MY97,
18-2	73821-77E00-T01	COVER, SPEAKER RH (GRAY)	1	1		MY98,
19-1	73822-77E00-5ES	COVER, SPEAKER LH (BLACK)	1	1		MY97,
19-2	73822-77E00-T01	COVER, SPEAKER LH (GRAY)	1	1		MY98,
20	73861-77E00	BRACKET, STEERING SUPPORT CTR	1	1		
21-1	73871-77E00-5ES	COVER, COLUMN HOLE (BLACK)	1	1		MY97:PETROL - 1.9T.DIESEL
21-2	73871-77E00-T01	COVER, COLUMN HOLE (GRAY)	1	1		MY98:PETROL - 1.9T.DIESEL
21-3	73871-86CA0-5ES	COVER, COLUMN HOLE (BLACK)	1	1		MY97:1.9 T. DIESEL:W/ INMO
21-4	73871-86CA0-T01	COVER, COLUMN HOLE (GRAY)	1	1		MY98:1.9 T. DIESEL:W/ INMO
22-1	74461-77E00-5ES	GARNISH, CENTER (BLACK)	1	1		MY97
22-2	73841-78E00-5PK	GARNISH, CENTER (BLACK)	1	1		MY98
23	02142-06163	SCREW, INSTRUMENT CENTER	1	1		
24	02142-06163	SCREW, ASSISTANT CTR HOLDER	2	2		

# FIG. 157

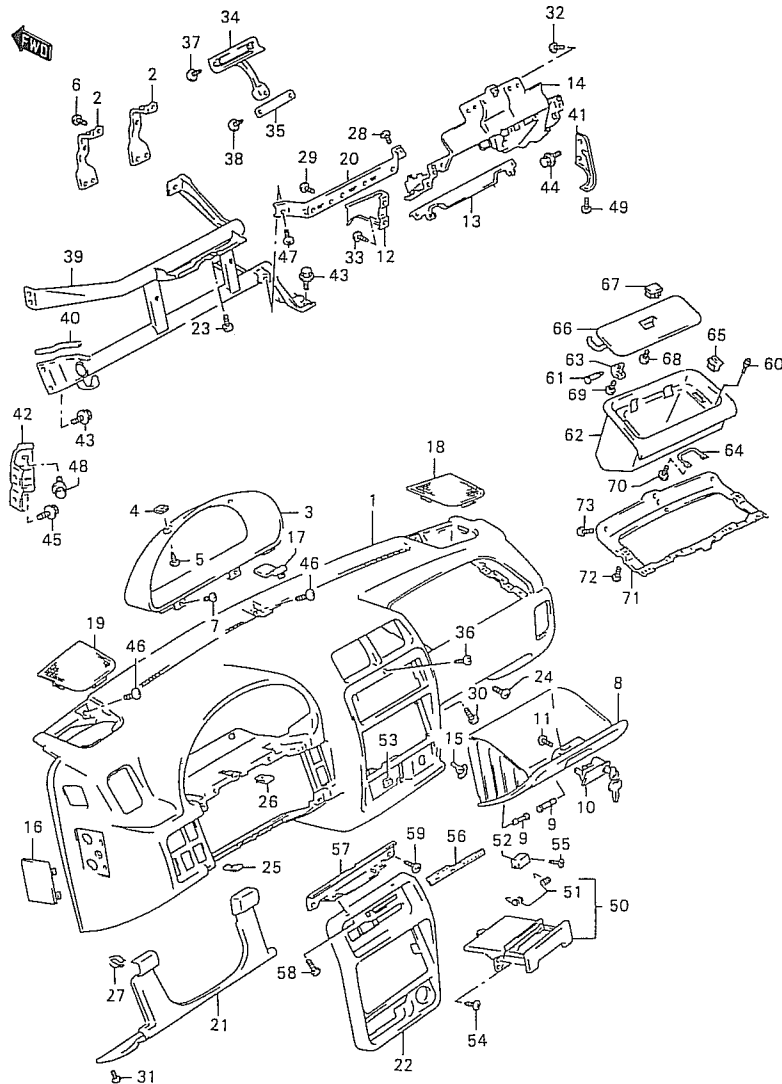
# FIG 157. INSTRUMENT PANEL (LHD: N/AIR BAG)



REF. NO.	PART NO.	DESCRIPTION	Q' TY		REMARKS
			C	V	
64	73923-77E40	STRIKER, I/P BOX	1	1	MY98
65	73924-77E40-T01	CLIP, I/P BOX LID (GRAY)	2	2	MY98
66	73930-77E40-T01	LID, I/P BOX (GRAY)	1	1	MY98
67	73940-77E40-T01	LOCK, I/P BOX LID (GRAY)	1	1	MY98
68	02122-04163	SCREW	2	2	MY98
69	03541-05163	SCREW	2	2	MY98
70	03541-05163	SCREW	2	2	MY98
71	73927-77E40	REINF, I/P TRAY	1	1	MY98
72	03541-05163	SCREW	3	3	MY98
73	03541-05203	SCREW	12	12	MY98:ALTERNATIVE 03511-05

6

# FIG. 157



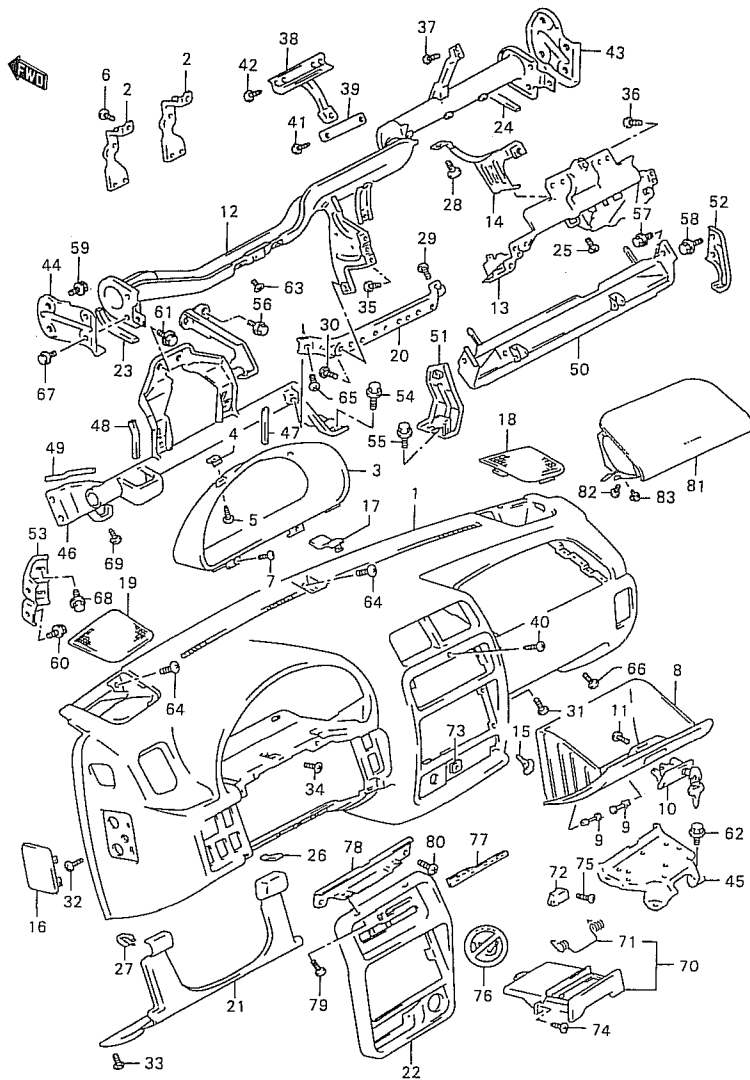
## FIG 157. INSTRUMENT PANEL (LHD: N/AIR BAG)

REF. NO.	PART NO.	DESCRIPTION	Q'TY		REMARKS
			C	V	
25	09148-05038	NUT, COLUMN HOLE COVER	4	4	
26	09148-06014	NUT, INSTRUMENT CENTER	1	1	
27	09409-08325	CLIP, COLUMN HOLE COVER	2	2	
28	02112-05123	SCREW, KNEE BOLSTER PANEL	1	1	
29	02112-05123	SCREW, RADIO BRACKET	1	1	
30	02142-05123	SCREW, KNEE BOLSTER PLATE NO.2	2	2	
31	03141-05128	SCREW, COLUMN HOLE COVER	4	4	
32	03541-05163	SCREW, KNEE BOLSTER PLATE NO.1	6	6	
33	03541-05163	SCREW, RADIO BRACKET NO.1	2	2	
34	73880-77E00	REINF, INSTRUMENT CTR UPPER	1	1	
35	73892-77E00	REINF, INSTRUMENT CTR LOWER	1	1	
36	03141-05128	SCREW, CTR REINF LOWER	1	1	
37	03541-05163	SCREW, CTR REINF UPPER	4	4	
38	03541-05163	SCREW, INSTRUMENT CTR REINF	2	2	
39	75930-77E30	HOLDER, INSTRUMENT PANEL	1	1	
40	75958-77E00	PROTECTOR, NO.3	1	1	L:200>150
41	76431-77E10	HOLDER, ASSISTANT OUTER RH	1	1	
42	76451-56B01	REINF, COWL BOX SIDE	2	2	
43	09100-08294	BOLT, HOLDER (8X13)	5	5	
44	09100-08294	BOLT, HOLDER OUTER (8X13)	2	2	
45	09100-08294	BOLT, REINF SIDE (8X13)	4	4	
46	02142-06163	SCREW, UPPER	3	3	
47	02142-06163	SCREW, HOLDER LOWER	1	1	
48	02162-06163	SCREW, SIDE REINF	4	4	
49	09139-06099	SCREW, LOWER	2	2	
50	89810-50G00-5PK	ASHTRAY, FRONT (BLACK)	1	1	
51	89813-60E00	.SPRING, PROTECTOR	1	1	
52	89819-60E01	HOLDER, ASHTRAY LAMP	1	1	
53	09148-05038	NUT, FRONT ASHTRAY	2	2	
54	03141-05128	SCREW, FRONT ASHTRAY	2	2	
55	03541-04163	SCREW, LAMP HOLDER	1	1	
56	74515-63G00	PLATE, INDICATOR	1	1	MY98
57	73845-78E00	BRACKET, CENTER GARNISH	1	1	MY98
58	03111-05103	SCREW, CTR GARNISH	2	2	MY98
59	03511-05165	SCREW, CTR GARNISH BRACKET	2	2	MY98
60	73413-82C00	CUSHION, GLOVE BOX LID	2	2	MY98
61	73423-50G00	PIN, GLOVE BOX HINGE	2	2	MY98
62	73921-77E40-T01	BOX, INSTRUMENT PANEL (GRAY)	1	1	MY98
63	73922-77E40-T01	HINGE, I/P BOX LID (GRAY)	2	2	MY98

# FIG. 158

# FIG 158. INSTRUMENT PANEL (LHD: W/AIR BAG)

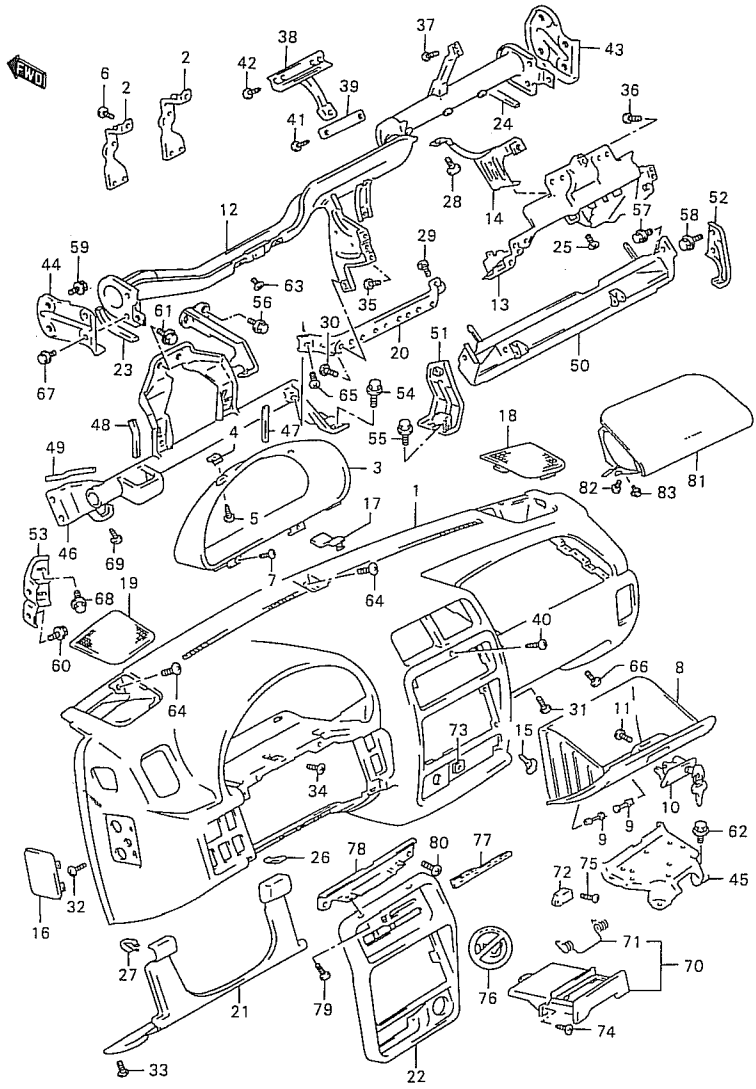
REF. NO.	PART NO.	DESCRIPTION	C	Q' TY	V	REMARKS
1-1	73111-77E12-5ES	PANEL, INSTRUMENT (BLACK)	1	1		MY97,
1-2	73111-77E12-T01	PANEL, INSTRUMENT (GRAY)	1	1		MY98,
2	73261-50G00	STAY, SPEEDOMETER	2	2		
3	73311-77E00-5PK	GARNISH, METER CLUSTER (BLACK)	1	1		
4	09148-05038	NUT, METER GARNISH UPPER	2	2		
5	03141-05128	SCREW, METER GARNISH UPPER	2	2		
6	03541-05163	SCREW, SPEEDOMETER STAY	4	4		
7	03541-05163	SCREW, METER GARNISH LOWER	2	2		
8-1	73410-77E00-5ES	BOX ASSY, GLOVE (BLACK)	1	1		MY97,
8-2	73410-77E00-T01	BOX ASSY, GLOVE (GRAY)	1	1		MY98,
9	73423-50G00	PIN, GLOVE BOX HINGE	2	2		
10-1	73430-77810-5ES	LOCK, GLOVE BOX (BLACK)	1	1		MY97,
10-2	73430-77810-T01	LOCK, GLOVE BOX (GRAY)	1	1		MY98,
11	73419-50G00	SCREW, GLOVE BOX LOCK	2	2		
12	73210-77E10	MEMBER, STEERING SUPPORT	1	1		
13	73250-77E11	PLATE, KNEE BOLSTER	1	1		
14	73271-77E00	BRACE, PASSENGER KNEE BOLSTER	1	1		
15	73461-77E00	CUSHION, GLOVE BOX DOOR SIDE	2	2		
16-1	73811-77E00-5ES	CAP, SIDE (BLACK)	2	2		MY97,
16-2	73811-77E00-T01	CAP, SIDE (GRAY)	2	2		MY98,
17-1	73813-77E00-5ES	CAP, UPPER CENTER (BLACK)	1	1		MY97,
17-2	73813-77E00-T01	CAP, UPPER CENTER (GRAY)	1	1		MY98,
18-1	73821-77E00-5ES	COVER, SPEAKER RH (BLACK)	1	1		MY97,
18-2	73821-77E00-T01	COVER, SPEAKER RH (GRAY)	1	1		MY98,
19-1	73822-77E00-5ES	COVER, SPEAKER LH (BLACK)	1	1		MY97,
19-2	73822-77E00-T01	COVER, SPEAKER LH (GRAY)	1	1		MY98,
20	73861-77E00	BRACKET, STEERING SUPPORT CTR	1	1		
21-1	73871-77E00-5ES	COVER, COLUMN HOLE (BLACK)	1	1		MY97:PETROL - 1.9T.DIESEL
21-2	73871-77E00-T01	COVER, COLUMN HOLE (GRAY)	1	1		MY98:PETROL - 1.9T.DIESEL
21-3	73871-86CA0-5ES	COVER, COLUMN HOLE (BLACK)	1	1		MY97:1.9 T. DIESEL:W/ INMO
21-4	73871-86CA0-T01	COVER, COLUMN HOLE (GRAY)	1	1		MY98:1.9 T. DIESEL:W/ INMO
22-1	74461-77E00-5ES	GARNISH, CENTER (BLACK)	1	1		MY97
22-2	73841-78E00-5PK	GARNISH, CENTER (BLACK)	1	1		MY98
23	75958-77E00	PROTECTOR, NO.1	1	1		L:200>70
24	75958-77E00	PROTECTOR, NO.2	1	1		L:200>110



# FIG. 158

# FIG 158. INSTRUMENT PANEL (LHD: W/AIR BAG)

REF. NO.	PART NO.	DESCRIPTION	C	Q <sup>TY</sup>	V	REMARKS
25	02142-06163	SCREW, KNEE BOLSTER BRACE	1	1		
26	09148-05038	NUT, COLUMN HOLE COVER	4	4		
27	09409-08325	CLIP, COLUMN HOLE COVER	2	2		
28	01550-08203	BOLT, KNEE BOLSTER BRACE	2	2		
29	02112-05123	SCREW, PANEL LOWER	1	1		
30	02112-05123	SCREW, SUPPORT BRACKET LOWER	1	1		
31	02142-05123	SCREW, PLATE NO.2	2	2		
32	02142-05123	SCREW, INSTRUMENT SIDE	2	2		
33	03141-05128	SCREW, COLUMN HOLE COVER	4	4		
34	03141-05128	SCREW, INSTRUMENT CENTER	1	1		
35	03541-05163	SCREW, BLACKET LOWER	2	2		
36	03541-05163	SCREW, KNEE BOLSTER PLATE	6	6		
37	03541-05163	SCREW, BLACKET UPPER	1	1		
38	73880-77E00	REINF, INSTRUMENT CTR UPPER	1	1		
39	73892-77E00	REINF, INSTRUMENT CTR LOWER	1	1		
40	03141-05128	SCREW, CTR REINF LOWER	1	1		
41	03541-05163	SCREW, CTR REINF	2	2		
42	03541-05163	SCREW, CTR REINF UPPER	4	4		
43	73225-77E00	BRACKET, STEERING SUPPORT RH	1	1		
44	73235-77E00	BRACKET, STEERING SUPPORT LH	1	1		
45	73937-77E00	BRACKET, SDM NO.1	1	1		
46	75930-77E50	HOLDER, INSTRUMENT	1	1		
47	75958-77E00	PROTECTOR, NO.1	3	3		L:200>70
48	75958-77E00	PROTECTOR, NO.2	2	2		L:200>110
49	75958-77E00	PROTECTOR, NO.3	3	3		L:200>150
50	75970-77E10	HOLDER, ASSISTANT	1	1		
51-1	75980-77E10	HOLDER, ASSISTANT INNER	1	1		MY97,
51-2	75980-77E40	HOLDER, ASSISTANT INNER	1	1		MY98,
52-1	76431-77E30	HOLDER, ASSISTANT OUTER LH	1	1		MY97,
52-2	76431-77E40	HOLDER, ASSISTANT OUTER LH	1	1		MY98,
53	76451-56B01	REINF, COWL BOX SIDE	2	2		
54	09100-08294	BOLT, INSTRUMENT HOLDER (8X13)	4	4		
55	09100-08294	BOLT, SDM BRACKET NO.2 (8X13)	2	2		
56	09100-08294	BOLT, MEMBER NO.2 (8X13)	1	1		
57	09100-08294	BOLT, ASSISTANT HOLDER (8X13)	2	2		
58	09100-08294	BOLT, ASSISTANT HOLDER OUTER	2	2		(8X13)
59	09100-08294	BOLT, STREERING SUPPORT BRCKT	4	4		
60	09100-08294	BOLT, COWL BOX SIDE REINF	4	4		(8X13)
61	09116-06005	BOLT, HOLDER NO.2 (6X16)	2	2		

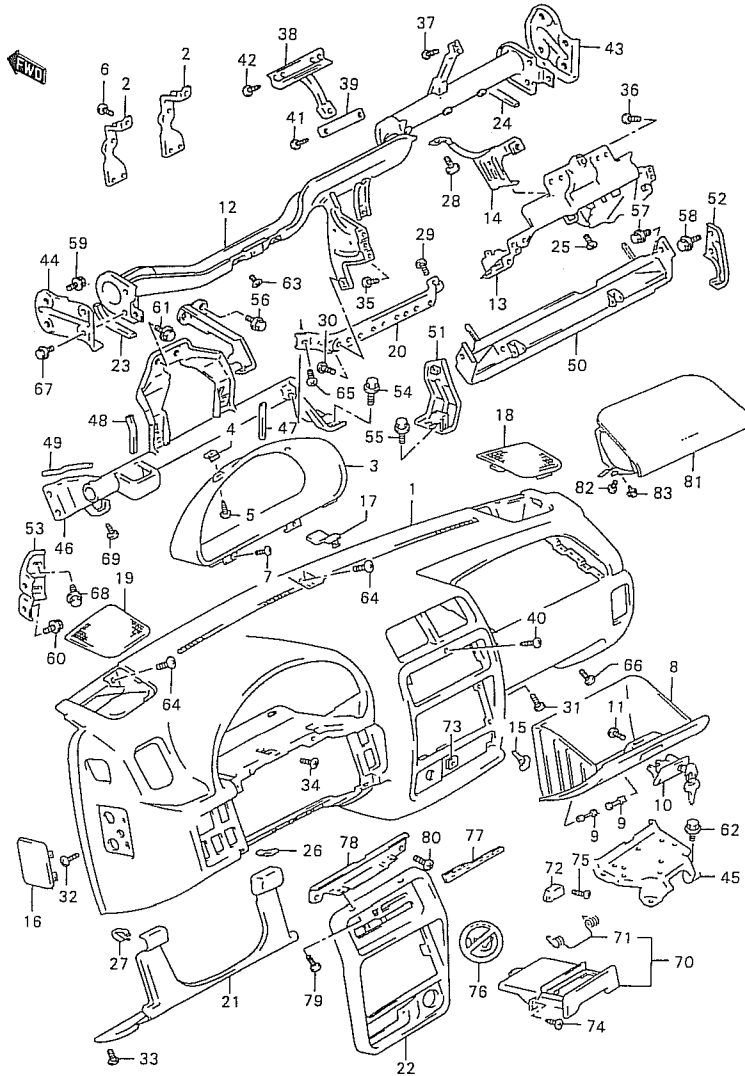




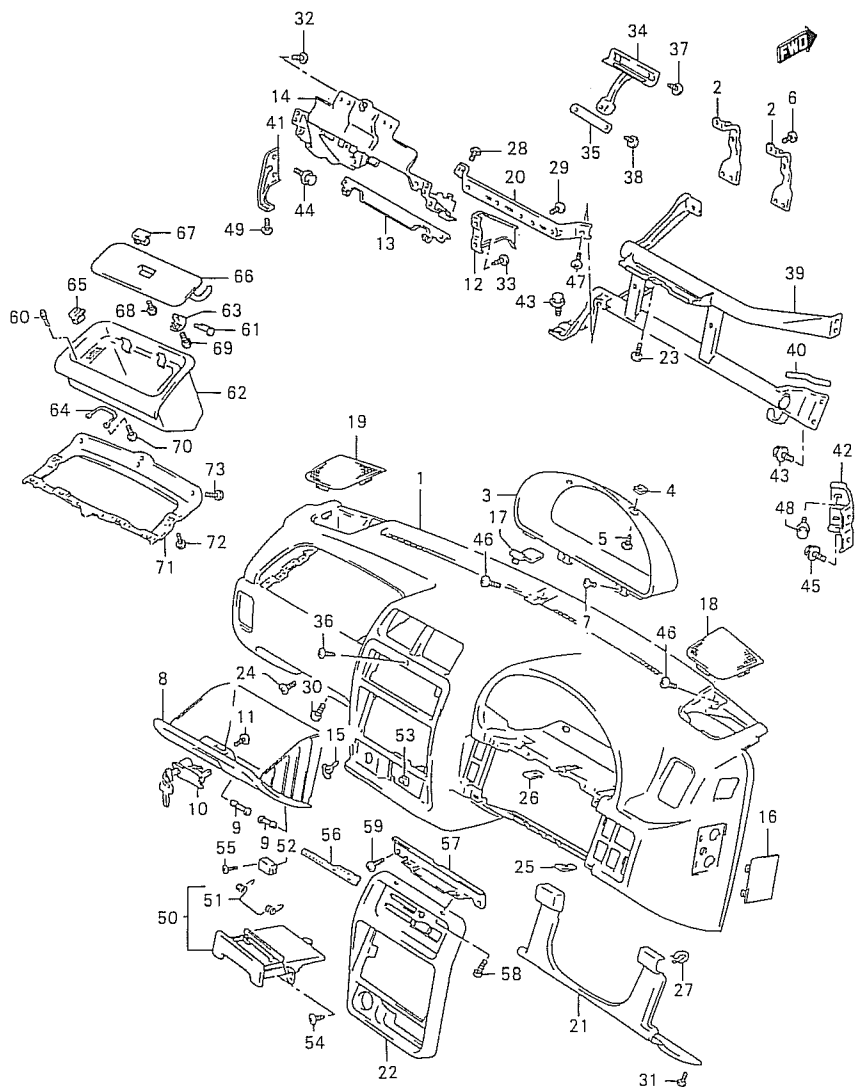
# FIG. 158

# FIG 158. INSTRUMENT PANEL (LHD: W/AIR BAG)

REF. NO.	PART NO.	DESCRIPTION	QTY		REMARKS
			C	V	
62	09129-06006	BOLT, SDM BRACKET (6X18)	4	4	
63	09136-06109	SCREW, MEMBER NO.2 (6X20)	1	1	
64	02142-06163	SCREW, INSTRUMENT UPPER	3	3	
65	02142-06163	SCREW, HOLDER LOWER	1	1	
66	02142-06163	SCREW, ASSISTANT HOLDER	2	2	
67	01550-08203	BOLT, INSTRUMENT SIDE	4	4	
68	02162-06163	SCREW, SIDE REINF	4	4	
69	09139-06099	SCREW, LOWER	1	1	
70	89810-50G00-5PK	ASHTRAY, FRONT (BLACK)	1	1	
71	89813-60E00	.SPRING, PROTECTOR	1	1	
72	89819-60E01	HOLDER, ASHTRAY LAMP	1	1	
73	09148-05038	NUT, FRONT ASHTRAY	2	2	
74	03141-05128	SCREW, FRONT ASHTRAY	2	2	
75	03541-04163	SCREW, LAMP HOLDER	1	1	
76	73113-60G00	LABEL, CHILD SEAT WARNING	1	1	
77	74515-63G00	PLATE, INDICATOR	1	1	MY98
78	73845-78E00	BRACKET, CENTER GARNISH	1	1	MY98
79	03111-05103	SCREW, CTR GARNISH	2	2	MY98
80	03511-05165	SCREW, CTR GARNISH BRACKET	2	2	MY98
81	73910-77E01-T01	MODULE ASSY, PASSENGER AIR	1	1	MY98
82	02142-06163	SCREW	2	2	MY98
83	01550-08203	BOLT	2	2	MY98



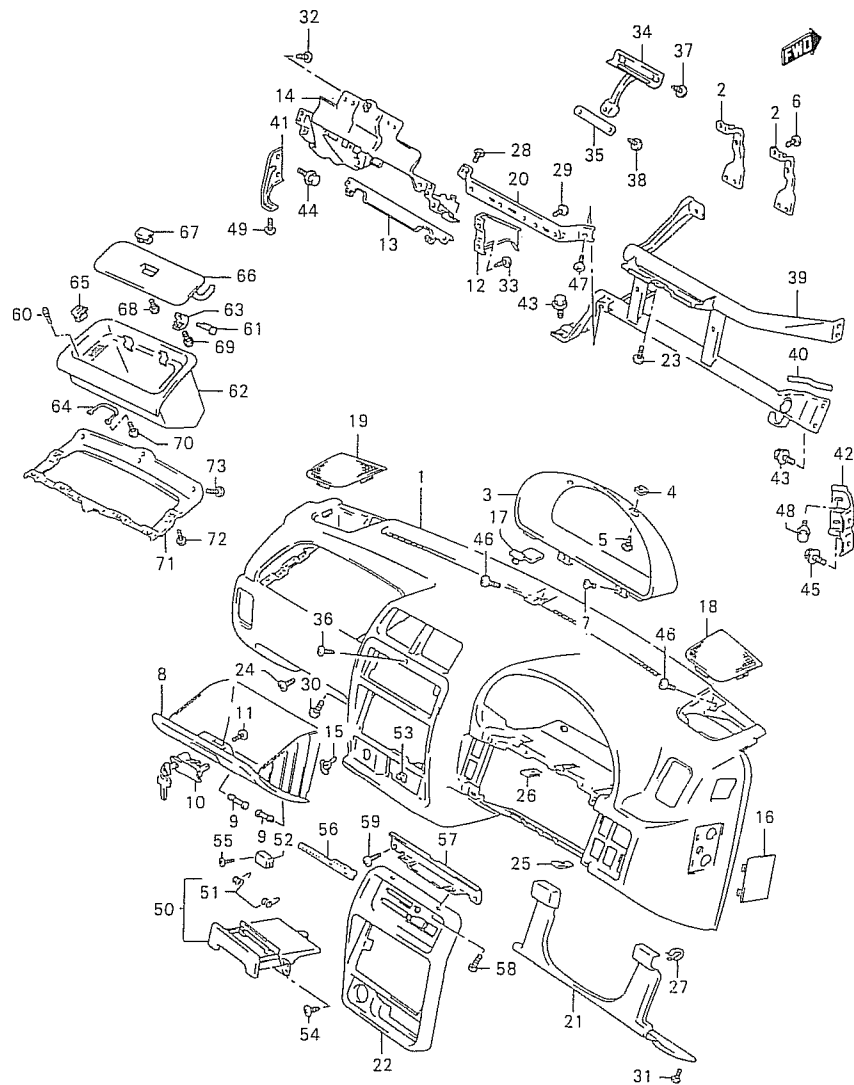
# FIG. 159



# FIG 159. INSTRUMENT PANEL (RHD: N/AIR BAG)

REF. NO.	PART NO.	DESCRIPTION	Q	TY	V	REMARKS
1-1	73111-77E00-5ES	PANEL, INSTRUMENT (BLACK)	1	1		MY97,
1-2	73111-77E02-T01	PANEL, INSTRUMENT (GRAY)	1	1		MY98,
2	73261-50G00	STAY, SPEEDOMETER	2	2		
3	73311-77E00-5PK	GARNISH, METER CLUSTER (BLACK)	1	1		
4	09148-05038	NUT, METER GARNISH UPPER	2	2		
5	03141-05128	SCREW, METER GARNISH UPPER	2	2		
6	03541-05163	SCREW, SPEEDOMETER STAY	4	4		
7	03541-05163	SCREW, METER GARNISH LOWER	2	2		
8-1	73410-77E00-5ES	BOX ASSY, GLOVE (BLACK)	1	1		MY97,
8-2	73410-77E00-T01	BOX ASSY, GLOVE (GRAY)	1	1		MY98,
9	73423-50G00	PIN, GLOVE BOX HINGE	2	2		
10-1	73430-77810-5ES	LOCK, GLOVE BOX (BLACK)	1	1		MY97,
10-2	73430-77810-T01	LOCK, GLOVE BOX (GRAY)	1	1		MY98,
11	73419-50G00	SCREW, GLOVE BOX LOCK	2	2		
12	73231-77E00	BRACKET, RADIO	1	1		
13	73242-77E00	HOLDER, ASSISTANT CENTER	1	1		
14	73250-77E01	PLATE, KNEE BOLSTER	1	1		
15	73461-77E00	CUSHION, GLOVE BOX DOOR SIDE	2	2		
16-1	73811-77E00-5ES	CAP, SIDE (BLACK)	2	2		MY97,
16-2	73811-77E00-T01	CAP, SIDE (GRAY)	2	2		MY98,
17-1	73813-77E00-5ES	CAP, UPPER CENTER (BLACK)	1	1		MY97,
17-2	73813-77E00-T01	CAP, UPPER CENTER (GRAY)	1	1		MY98,
18-1	73821-77E00-5ES	COVER, SPEAKER RH (BLACK)	1	1		MY97,
18-2	73821-77E00-T01	COVER, SPEAKER RH (GRAY)	1	1		MY98,
19-1	73822-77E00-5ES	COVER, SPEAKER LH (BLACK)	1	1		MY97,
19-2	73822-77E00-T01	COVER, SPEAKER LH (GRAY)	1	1		MY98,
20	73861-77E00	BRACKET, STEERING SUPPORT CTR	1	1		
21-1	73871-77E00-5ES	COVER, COLUMN HOLE (BLACK)	1	1		MY97,
21-2	73871-77E00-T01	COVER, COLUMN HOLE (GRAY)	1	1		MY98,
22-1	74461-77E00-5ES	GARNISH, CENTER (BLACK)	1	1		MY97
22-2	73841-78E00-5PK	GARNISH, CENTER (BLACK)	1	1		MY98
23	02142-06163	SCREW, INSTRUMENT CENTER	1	1		
24	02142-06163	SCREW, ASSISTANT CTR HOLDER	2	2		
25	09148-05038	NUT, COLUMN HOLE COVER	4	4		
26	09148-06014	NUT, INSTRUMENT CENTER	1	1		
27	09409-08325	CLIP, COLUMN HOLE COVER	2	2		
28	02112-05123	SCREW, KNEE BOLSTER PANEL	1	1		
29	02112-05123	SCREW, RADIO BRACKET	1	1		
30	02142-05123	SCREW, KNEE BOLSTER PLATE NO.2	2	2		
31	03141-05128	SCREW, COLUMN HOLE COVER	4	4		

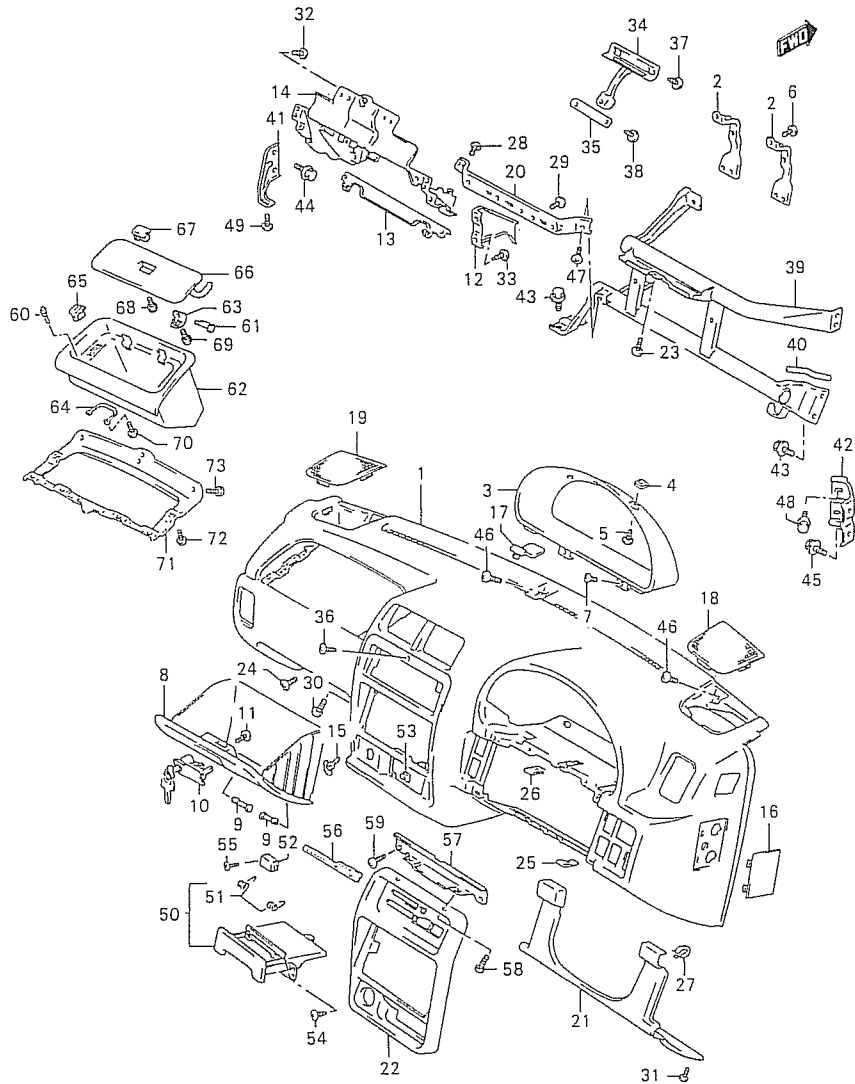
# FIG. 159



# FIG 159. INSTRUMENT PANEL (RHD: N/AIR BAG)

REF. NO.	PART NO.	DESCRIPTION	C	Q' TV	V	REMARKS
32	03541-05163	SCREW, KNEE BOLSTER PLATE NO.1	6	6		
33	03541-05163	SCREW, RADIO BRACKET NO.1	2	2		
34	73880-77E00	REINF, INSTRUMENT CTR UPPER	1	1		
35	73892-77E00	REINF, INSTRUMENT CTR LOWER	1	1		
36	03141-05128	SCREW, CTR REINF LOWER	1	1		
37	03541-05163	SCREW, CTR REINF UPPER	4	4		
38	03541-05163	SCREW, INSTRUMENT CTR REINF	2	2		
39	75930-77E20	HOLDER, INSTRUMENT PANEL	1	1		
40	75958-77E00	PROTECTOR, NO.3	1	1		L:200>150
41	76431-77E01	HOLDER, ASSISTANT OUTER RH	1	1		
42	76451-56B01	REINF, COWL BOX SIDE	2	2		
43	09100-08294	BOLT, HOLDER (8X13)	5	5		
44	09100-08294	BOLT, HOLDER OUTER (8X13)	2	2		
45	09100-08294	BOLT, REINF SIDE (8X13)	4	4		
46	02142-06163	SCREW, UPPER	3	3		
47	02142-06163	SCREW, HOLDER LOWER	1	1		
48	02162-06163	SCREW, SIDE REINF	4	4		
49	09139-06099	SCREW, LOWER	2	2		
50	89810-50G00-5PK	ASHTRAY, FRONT (BLACK)	1	1		
51	89813-60E00	.SPRING, PROTECTOR	1	1		
52	89819-60E01	HOLDER, ASHTRAY LAMP	1	1		
53	09148-05038	NUT, FRONT ASHTRAY	2	2		
54	03141-05128	SCREW, FRONT ASHTRAY	2	2		
55	03541-04163	SCREW, LAMP HOLDER	1	1		
56	74515-63G00	PLATE, INDICATOR	1	1		MY98
57	73845-78E00	BRACKET, CENTER GARNISH	1	1		MY98
58	03111-05103	SCREW, CTR GARNISH	2	2		MY98
59	03511-05165	SCREW, CTR GARNISH BRACKET	2	2		MY98
60	73413-82C00	CUSHION, GLOVE BOX LID	2	2		MY98
61	73423-50G00	PIN, GLOVE BOX HINGE	2	2		MY98
62	73921-77E40-T01	BOX, INSTRUMENT PANEL (GRAY)	1	1		MY98
63	73922-77E40-T01	HINGE, I/P BOX LID (GRAY)	2	2		MY98
64	73923-77E40	STRIKER, I/P BOX	1	1		MY98
65	73924-77E40-T01	CLIP, I/P BOX LID (GRAY)	2	2		MY98
66	73930-77E40-T01	LID, I/P BOX (GRAY)	1	1		MY98
67	73940-77E40-T01	LOCK, I/P BOX LID (GRAY)	1	1		MY98
68	02122-04163	SCREW	2	2		MY98
69	03541-05163	SCREW	2	2		MY98
70	03541-05163	SCREW	2	2		MY98
71	73927-77E40	REINF, I/P TRAY	1	1		MY98

# FIG. 159

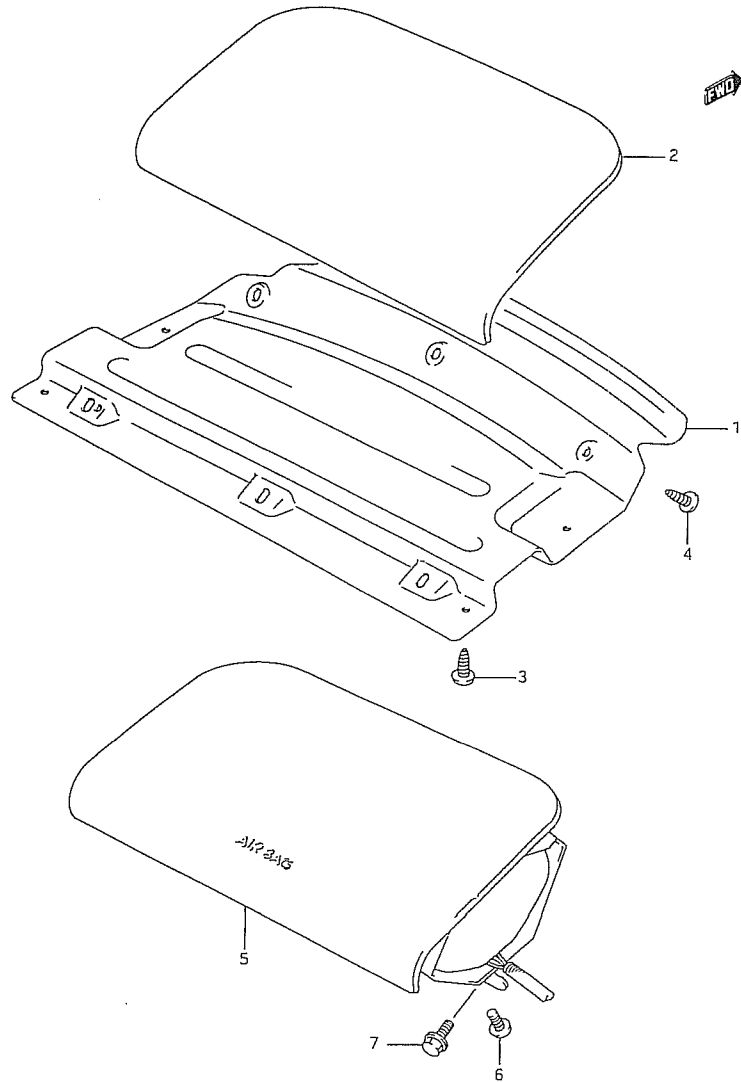


## FIG 159. INSTRUMENT PANEL (RHD: N/AIR BAG)

REF. NO.	PART NO.	DESCRIPTION	Q' TY		REMARKS
			C	V	
72	03541-05163	SCREW	3	3	MY98
73	03541-05203	SCREW	12	12	MY98

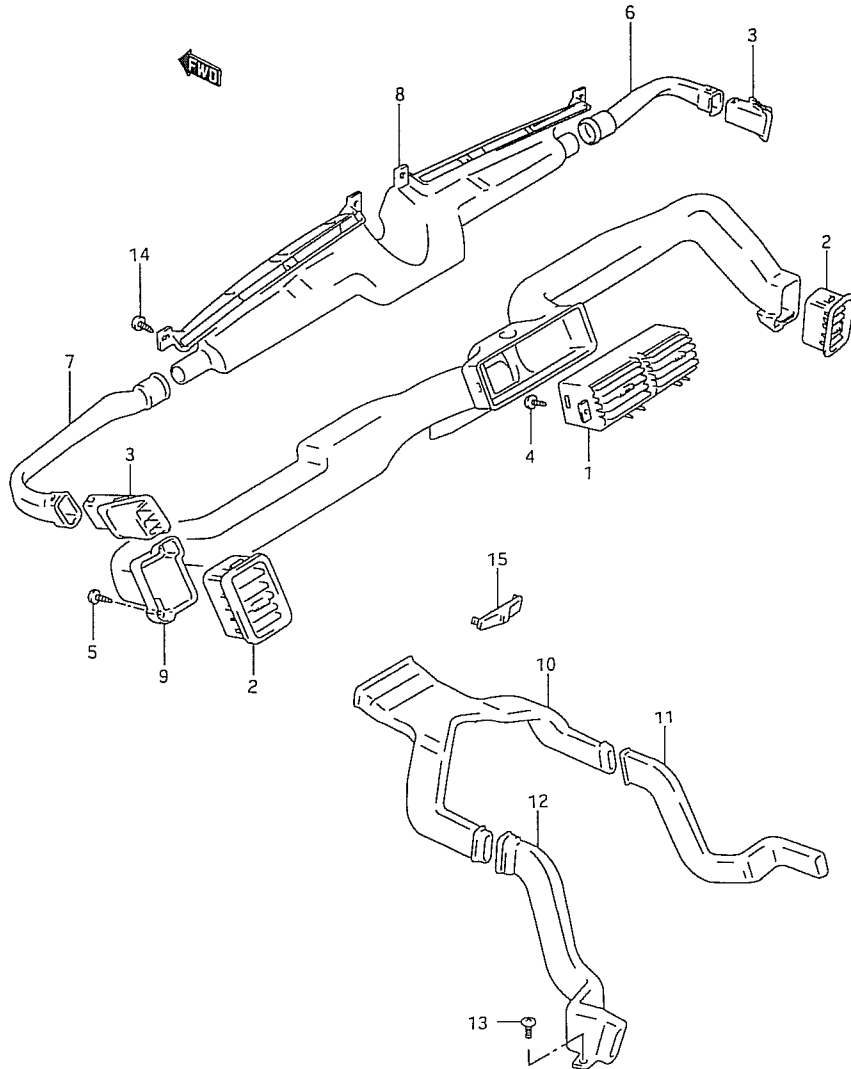
# FIG. 160

## FIG 160. PASSENGER AIR BAG



REF. NO.	PART NO.	DESCRIPTION	Q' TY		REMARKS
			C	V	
1	73921-77E00	REINF, INSTRUMENT COVER	1	1	MY97:N/AIR BAG
2	73922-77E00-5ES	COVER, INSTRUMENT (BLACK)	1	1	MY97:N/AIR BAG
3	03141-05128	SCREW, INSTRUMENT COVER REINF	4	4	MY97:N/AIR BAG
4	03541-05163	SCREW, INSTRUMENT COVER	6	6	MY97:N/AIR BAG
5-1	73910-77E01-5ES	MODULE ASSY, PASSENGER AIR BAG	1	1	MY97:W/AIR BAG (BLACK)
5-2	73910-77E01-T01	MODULE ASSY, PASSENGER AIR	1	1	MY98:W/AIR BAG (GRAY)
6	02142-06163	SCREW, AIR BAG MODULE	2	2	W/AIR BAG
7	01550-08203	BOLT, AIR BAG MODULE	2	2	W/AIR BAG

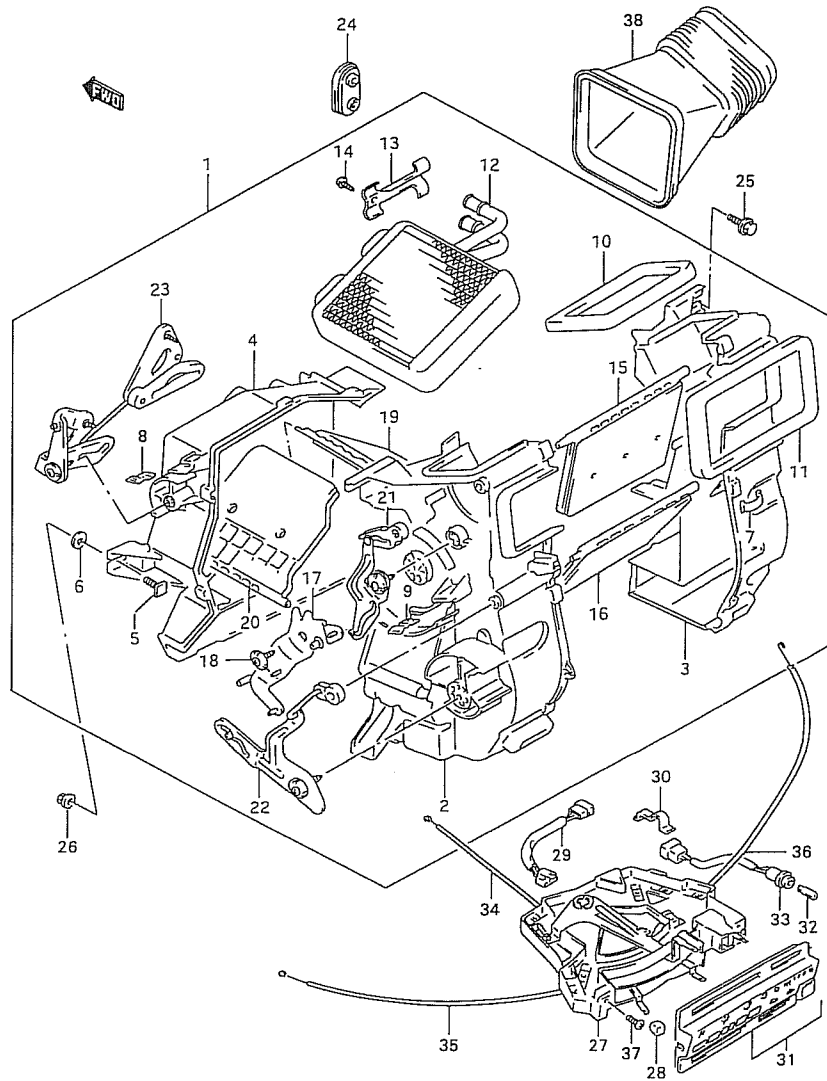
# FIG. 161



## FIG 161. VENTILATOR

REF. NO.	PART NO.	DESCRIPTION	Q' TY		REMARKS
			C	V	
1-1	73610-77E00-5PK	LOUVER, CTR VENT (BLACK)	1	1	MY97,
1-2	73610-77E00-T01	LOUVER, CTR VENT (GRAY)	1	1	MY98,
2-1	73620-77E00-5PK	LOUVER, SIDE VENT (BLACK)	2	2	MY97,
2-2	73620-77E00-T01	LOUVER, SIDE VENT (GRAY)	2	2	MY98,
3-1	73671-83000-5PK	NOZZLE, SIDE DEMISTER (BLACK)	2	2	MY97,
3-2	73671-83000-T01	NOZZLE, SIDE DEMISTER (GRAY)	2	2	MY98,
4	03541-05163	SCREW, CTR VENT	2	2	
5	03541-05163	SCREW, SIDE VENT	2	2	
6	73681-77E00	DUCT, DEMISTER RH	1	1	
7	73691-77E00	DUCT, DEMISTER LH	1	1	
8	74615-60A00	DUCT, DEFROSTER	1	1	
9-1	74621-77E10	DUCT, VENTILATOR	1	1	LHD
9-2	74621-77E00	DUCT, VENTILATOR	1	1	RHD
10	74631-60A10	DUCT, REAR	1	1	W/RR DUCT
11	74632-60A00	HOSE, REAR RH	1	1	W/RR DUCT
12	74633-60A00	HOSE, REAR LH	1	1	W/RR DUCT
13	03141-05128	SCREW, REAR DUCT	2	2	W/RR DUCT
14	03541-05163	SCREW, DEFROSTER DUCT	4	4	
15	74911-64A00	CAP, HEATER	1	1	N/RR DUCT

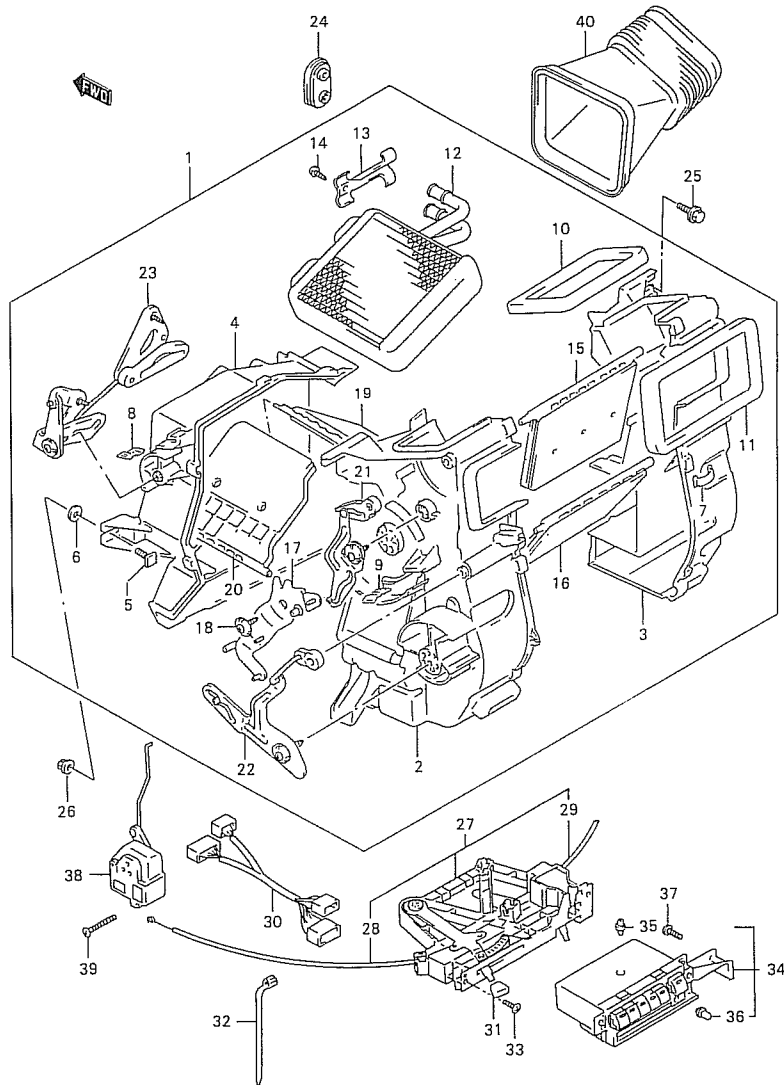
# FIG. 162



## FIG 162. HEATER (LHD) - MY97

REF. NO.	PART NO.	DESCRIPTION	QTY		REMARKS
			C	V	
1	74100-85C10	HEATER ASSY	1	1	MY97
2	74111-85C10	.CASE, HEATER	1	1	MY97
3	74112-85C10	.CASE, HEATER	1	1	MY97
4	74113-85C10	.CASE, HEATER	1	1	MY97
5	74115-85C00	.BOLT	2	2	MY97
6	74116-85C00	.GASKET	2	2	MY97
7	74133-85C00	.CLAMP, CASE	12	12	MY97
8	74151-85C00	.CLAMP, CABLE	1	1	MY97
9	74151-85C00	.CLAMP	1	1	MY97
10	74161-85C00	.PACKING, DFR	1	1	MY97
11	74162-85C00	.PACKING, VENT	1	1	MY97
12	74120-85C10	.CORE, HEATER	1	1	MY97
13	74199-85C10	.CLAMP	1	1	MY97
14	03111-05123	.SCREW	1	1	MY97
15	74171-85C10	.DAMPER, V/D	1	1	MY97
16	74172-85C00	.DAMPER, HEAT	1	1	MY97
17	74176-85C10	.LEVER, CONTROL	1	1	MY97
18	74183-85C00	.SCREW, LEVER	1	1	MY97
19	74173-85C10	.DAMPER, A/M NO.1	1	1	MY97
20	74174-85C10	.DAMPER, A/M NO.2	1	1	MY97
21	74170-85C10	.LEVER ASSY, VENT	1	1	MY97
22	74180-85C10	.LEVER ASSY, HEAT	1	1	MY97
23	74190-85C10	.LEVER ASSY, TEMP	1	1	MY97
24	74812-82030	GROMMET, HTR	1	1	MY97
25	01550-06123	BOLT	2	2	MY97
26	08310-10083	NUT	2	2	MY97
27	74400-64A12	LEVER ASSY, HTR CONTROL	1	1	MY97
28	74431-64A10-5PK	KNOB, CONTROL LEVER (BLACK)	4	4	MY97
29	74436-77E00	HARNES, FAN SWITCH	1	1	MY97
30	74441-70B00	HOLDER, HEATER CABLE	3	3	MY97
31	74450-64A00-5PK	PANEL, HEATER CONTROL (BLACK)	1	1	MY97
32	73856-82000	.BULB, HEATER CONTROL	1	1	MY97
33	74456-64A00	.HARNES, HEATER CONTROL	1	1	MY97
34	74511-85C10	CABLE, MODE CONTROL (L:380)	1	1	MY97:NATURAL
35	74512-77E10	CABLE, HOT & COOL (L:480)	1	1	MY97:BLUE
36	74513-85C50	CABLE, FRESH AIR CONTROL	1	1	MY97:BLACK (L:860)
37	03511-05165	SCREW, LEVER	2	2	MY97
38	74620-60A10	DUCT, HEATER	1	1	MY97:N/AIR CON

# FIG. 162A

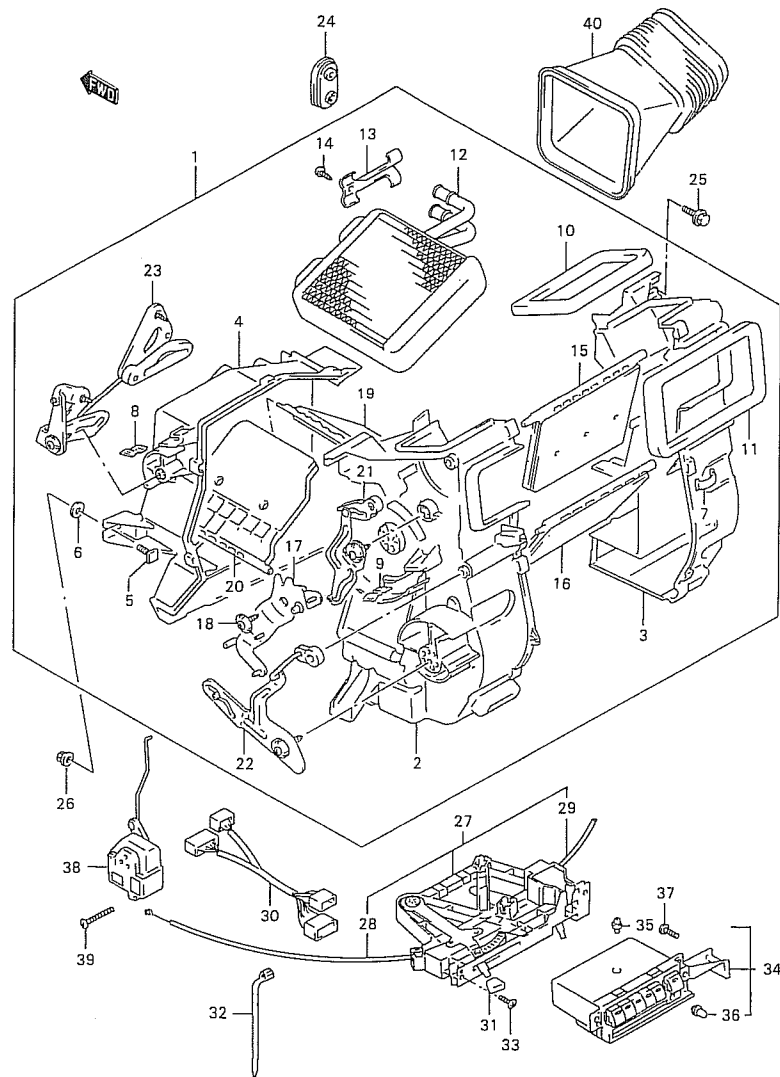


## FIG 162A. HEATER (LHD) - MY98

REF. NO.	PART NO.	DESCRIPTION	Q' TY		REMARKS
			C	V	
1-1	74019-85C00	HEATER ASSY	1	1	MY98:3 DR
1-2	74019-86C00	HEATER ASSY	1	1	MY98:5 DR
2	74111-85C10	.CASE, HEATER	1	1	MY98
3	74112-85C10	.CASE, HEATER	1	1	MY98
4	74113-85C10	.CASE, HEATER	1	1	MY98
5	74115-85C00	.BOLT	2	2	MY98
6	74116-85C00	.GASKET	2	2	MY98
7	74133-85C00	.CLAMP, CASE	12	12	MY98
8	74151-85C00	.CLAMP, CABLE	1	1	MY98
9	74151-85C00	.CLAMP	1	1	MY98
10	74161-85C00	.PACKING, DFR	1	1	MY98
11	74162-85C00	.PACKING, VENT	1	1	MY98
12	74120-85C10	.CORE, HEATER	1	1	MY98
13	74199-85C10	.CLAMP	1	1	MY98
14	03111-05123	.SCREW	1	1	MY98
15	74171-85C10	.DAMPER, V/D	1	1	MY98
16	74172-85C00	.DAMPER, HEAT	1	1	MY98
17	74176-85C10	.LEVER, CONTROL	1	1	MY98
18	74183-85C00	.SCREW, LEVER	1	1	MY98
19	74173-85C10	.DAMPER, A/M NO.1	1	1	MY98
20	74174-85C10	.DAMPER, A/M NO.2	1	1	MY98
21	74170-85C10	.LEVER ASSY, VENT	1	1	MY98
22	74180-85C10	.LEVER ASSY, HEAT	1	1	MY98
23	74190-85C10	.LEVER ASSY, TEMP	1	1	MY98
24	74812-82030	GROMMET, HTR	1	1	MY98
25	01550-06123	BOLT	2	2	MY98
26	08310-10083	NUT	2	2	MY98
27	74400-78E50	LEVER ASSY, HTR CONTROL	1	1	MY98
28	74452-78E10	.CABLE, TEMP CONTROL (L:490)	1	1	MY98:BLACK
29	74453-85C70	.CABLE, FRESH AIR CONTROL	1	1	MY98:BLACK (L:830)
30	74436-78E60	HARNASS, MODE CONTROL SWITCH	1	1	MY98
31	74461-78E00-5PK	KNOB, CONTROL LEVER (BLACK)	3	3	MY98
32	36990-85C10	CLAMP, FAN SWITCH HARNASS	1	1	MY98
33	03511-05165	SCREW, LEVER	2	2	MY98
34-1	74510-63G01-5PK	SWITCH, MODE CONTROL (BLACK)	1	1	MY98:N/AIR CON
34-2	74510-63G11-5PK	SWITCH, MODE CONTROL (BLACK)	1	1	MY98:W/AIR CON
35	74513-63G00	.BULB (0.7W)	1	1	MY98
36	74514-63G00	.BULB (0.6W)	1	1	MY98
37	03511-05165	SCREW, SWITCH	2	2	MY98



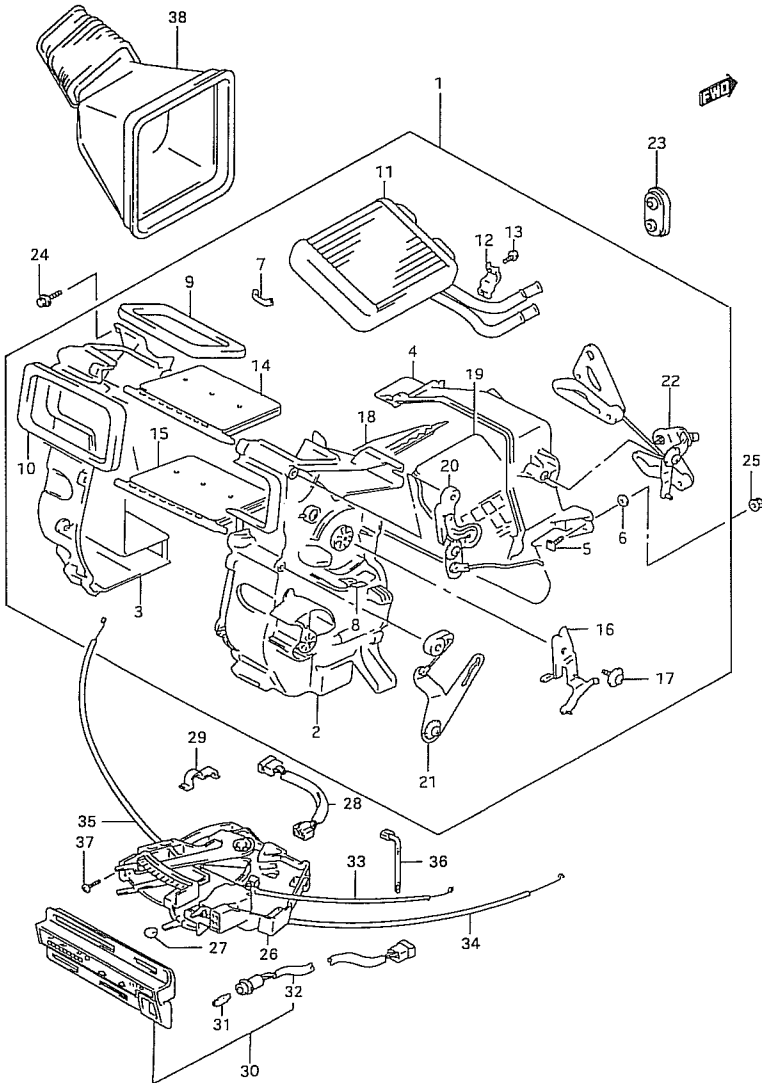
# FIG. 162A



## FIG 162A. HEATER (LHD) - MY98

REF. NO.	PART NO.	DESCRIPTION	Q' TY		REMARKS
			C	V	
38	95653-78E10	ACTUATOR, MODE	1	1	MY98
39	95911-63G00	SCREW	2	2	MY98
40	74620-60A10	DUCT, HEATER	1	1	MY98:N/AIR CON

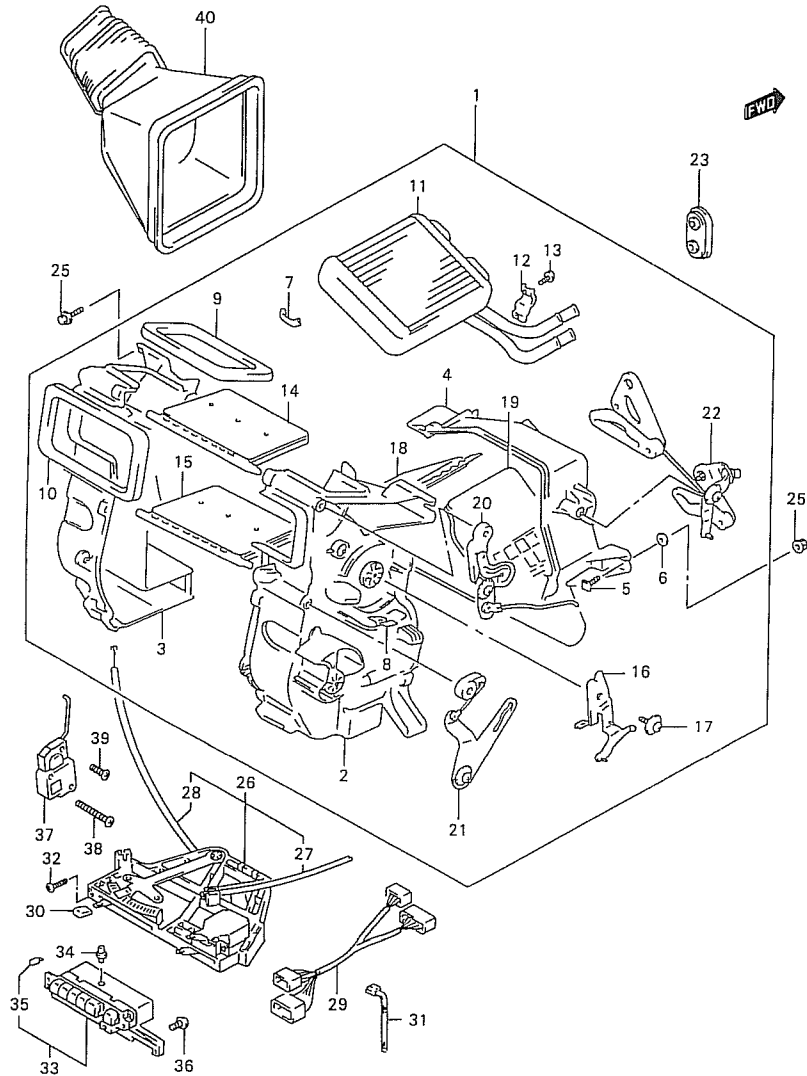
# FIG. 163



## FIG 163. HEATER (RHD) - MY97

REF. NO.	PART NO.	DESCRIPTION	QTY		REMARKS
			C	V	
1	74100-65A20	HEATER ASSY	1	1	MY97
2	74111-65A20	.CASE, HEATER	1	1	MY97
3	74112-64A20	.CASE, HEATER	1	1	MY97
4	74113-60A00	.CASE, HEATER	1	1	MY97
5	74115-64A00	.BOLT	2	2	MY97
6	74116-60A00	.PACKING	2	2	MY97
7	74133-82000	.CLAMP, CASE	12	12	MY97
8	74151-70D01	.CLAMP, CONTROL WIRE	1	1	MY97
9	74262-60A00	.PACKING	1	1	MY97
10	74262-60A00	.PACKING	1	1	MY97
11	74120-64A00	.UNIT, RADIATOR	1	1	MY97
12	74199-60A00	.CLAMP	1	1	MY97
13	03111-05123	.SCREW	2	2	MY97
14	74171-60A00	.DUMPER	1	1	MY97
15	74172-64A00	.DUMPER	1	1	MY97
16	74176-64A01	.LEVER, CONTROL	1	1	MY97
17	74183-82005	.SCREW, LINK	6	6	MY97
18	74173-60A10	.DUMPER	1	1	MY97
19	74174-60A00	.DUMPER	1	1	MY97
20	74170-64A00	.LEVER ASSY, VENT	1	1	MY97
21	74180-64A00	.LEVER ASSY, HEAT	1	1	MY97
22	74190-64A00	.LEVER ASSY, TEMP	1	1	MY97
23	74812-82030	GROMMET, HEATER	1	1	MY97
24	01550-06123	BOLT	2	2	MY97
25	08310-10083	NUT	2	2	MY97
26	74400-64A12	LEVER ASSY, HEATER CONTROL	1	1	MY97
27	74431-64A10-5PK	KNOB, CONTROL LEVER (BLACK)	4	4	MY97
28	74436-77E00	HARNASS, FAN SWITCH	1	1	MY97
29	74441-70B00	HOLDER, HEATER CABLE	3	3	MY97
30	74450-64A00-5PK	PANEL, HEATER CONTROL (BLACK)	1	1	MY97
31	73856-82000	.BULB, HEATER CONTROL	1	1	MY97
32	74456-64A00	.HARNASS, HEATER CONTROL	1	1	MY97
33	74511-77E00	CABLE, MODE CONTROL (L:370)	1	1	MY97:NATURAL
34	74512-77E00	CABLE, HOOT & COOL (L:525)	1	1	MY97:BLUE
35	74513-85C40	CABLE, FRESH AIR CONTROL	1	1	MY97:BLUE (L:880)
36	36990-85C10	CLAMP, HARNASS	1	1	MY97
37	03511-05165	SCREW, LEVER	2	2	MY97
38	74620-60A00	DUCT, HEATER	1	1	MY97:N/AIR CON

# FIG. 163A

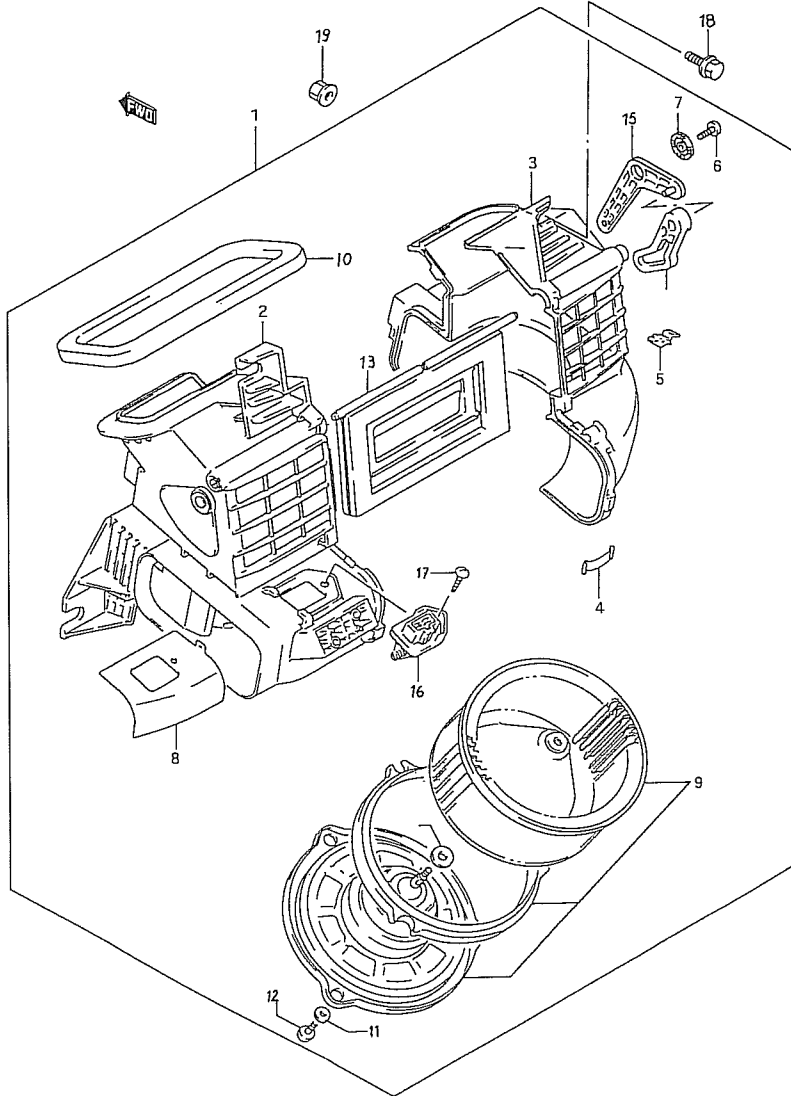


## FIG 163A. HEATER (RHD) - MY98

REF. NO.	PART NO.	DESCRIPTION	Q' TY		REMARKS
			C	V	
1	74100-64A21	HEATER ASSY	1	1	MY98
2	74111-64A21	.CASE, HEATER	1	1	MY98
3	74112-64A20	.CASE, HEATER	1	1	MY98
4	74113-60A00	.CASE, HEATER	1	1	MY98
5	74115-64A00	.BOLT	2	2	MY98
6	74116-60A00	.PACKING	2	2	MY98
7	74133-82000	.CLAMP, CASE	12	12	MY98
8	74151-70D01	.CLAMP, CONTROL WIRE	1	1	MY98
9	74262-60A00	.PACKING	1	1	MY98
10	74262-60A00	.PACKING	1	1	MY98
11	74120-64A00	.UNIT, RADIATOR	1	1	MY98
12	74199-60A00	.CLAMP	1	1	MY98
13	03111-05123	.SCREW	2	2	MY98
14	74171-60A00	.DUMPER	1	1	MY98
15	74172-64A00	.DUMPER	1	1	MY98
16	74176-64A01	.LEVER, CONTROL	1	1	MY98
17	74183-82005	.SCREW, LINK	6	6	MY98
18	74173-60A10	.DUMPER	1	1	MY98
19	74174-60A00	.DUMPER	1	1	MY98
20	74170-64A00	.LEVER ASSY, VENT	1	1	MY98
21	74180-64A00	.LEVER ASSY, HEAT	1	1	MY98
22	74190-64A00	.LEVER ASSY, TEMP	1	1	MY98
23	74812-82030	GROMMET, HEATER	1	1	MY98
24	01550-06123	BOLT	2	2	MY98
25	08310-10083	NUT	2	2	MY98
26	74400-78E40	LEVER ASSY, HTR CONTROL	1	1	MY98
27	74452-78E00	.CABLE, TEMP CONTROL (L:515)	1	1	MY98:NATURAL
28	74453-85C60	.CABLE, FRESH AIR CONTROL	1	1	MY98:BLACK (L:855)
29	74436-78E01	HARNES, MODE CONTROL SWITCH	1	1	MY98
30	74461-78E00-5PK	KNOB, CONTROL LEVER (BLACK)	3	3	MY98
31	36990-85C10	CLAMP, FAN SWITCH HARNES	1	1	MY98
32	03511-05165	SCREW, LEVER	2	2	MY98
33-1	74510-63G01-5PK	SWITCH, MODE CONTROL (BLACK)	1	1	MY98:N/AIR CON
33-2	74510-63G11-5PK	SWITCH, MODE CONTROL (BLACK)	1	1	MY98:W/AIR CON
34	74513-63G00	.BULB (0.7W)	1	1	MY98
35	74514-63G00	.BULB (0.6W)	1	1	MY98
36	03511-05165	SCREW, SWITCH	2	2	MY98
37	95653-78E00	ACTUATOR, MODE	1	1	MY98
38	95911-63G00	SCREW	1	1	MY98
39	03111-04253	SCREW	1	1	MY98
40	74620-60A00	DUCT, HEATER	1	1	MY98:N/AIR CON

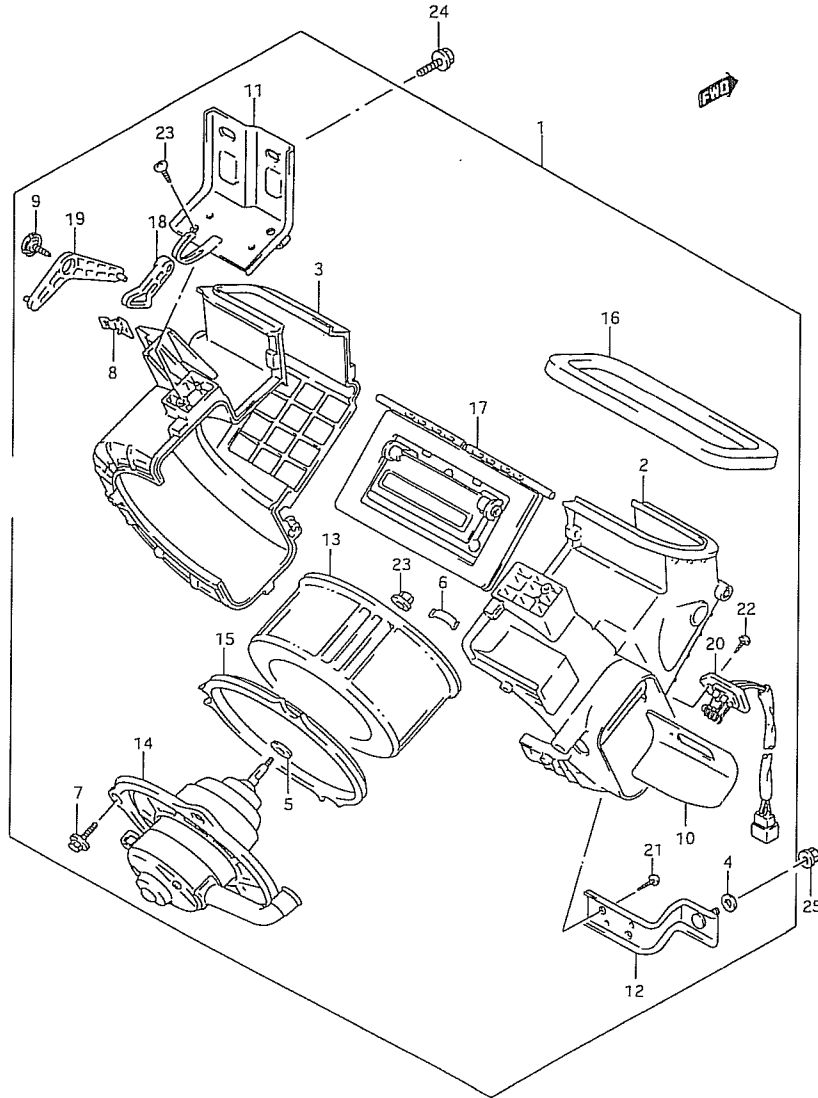
# FIG. 164

## FIG 164. HEATER BLOWER (LHD)



REF. NO.	PART NO.	DESCRIPTION	QTY		REMARKS
			C	V	
1	74200-85C30	MOTOR ASSY, BLOWER	1	1	
2	74211-85C00	.CASE, BROWER LH	1	1	
3	74212-85C00	.CASE, BROWER RH	1	1	
4	74133-85C00	.SPRING, HOLDER	5	5	
5	74151-85C00	.CLAMP, LOCK	1	1	
6	74183-85C00	.SCREW	1	1	
7	74184-85C00	.WASHER	1	1	
8	74215-85C00	.PLATE, COVER	1	1	
9	00000A00931	MOTOR ASSY	1	1	
10	74262-85C00	.PACKING	1	1	
11	74268-85C00	.WASHER	3	3	
12	74269-85C00	.SCREW	3	3	
13	74271-85C00	.DAMPER	1	1	
14	74281-85C00	.PLATE	1	1	
15	74282-85C00	.LEVER, CONTROL	1	1	
16	74290-85C00	.RESISTOR	1	1	
17	74299-85C00	.SCREW	1	1	
18	01550-06123	BOLT	2	2	
19	08310-10083	NUT	1	1	

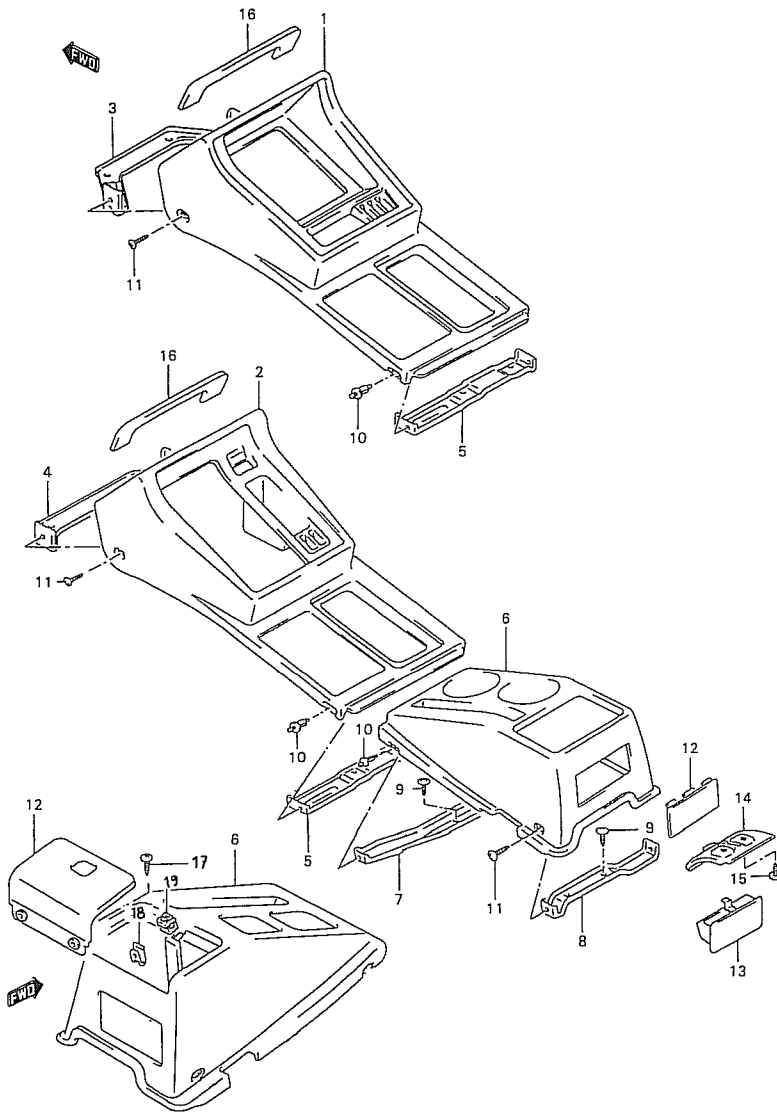
# FIG. 165



# FIG 165. HEATER BLOWER (RHD)

REF. NO.	PART NO.	DESCRIPTION	Q' TY		REMARKS
			C	V	
1	74200-60A01	MOTOR ASSY, BLOWER	1	1	
2	74211-60A00	.CASE, BROWER	1	1	
3	74212-60A01	.CASE, BROWER	1	1	
4	74116-60A00	.PACKING	1	1	
5	74131-82000	.WASHER	1	1	
6	74133-82000	.SPRING, HOLDER	5	5	
7	74135-82000	.SCREW	3	3	
8	74151-70D01	.CLAMP, LOCK	1	1	
9	74183-82005	.SCREW	1	1	
10	74215-60A00	.PLATE, COVER	1	1	
11	74221-60A00	.BRACKET, CASE	1	1	
12	74222-60A00	.BRACKET, CASE	1	1	
13	74231-60A10	.FAN, BROWER	1	1	
14	74250-60A00	.MOTOR ASSY	1	1	
15	74261-60A10	.PACKING	1	1	
16	74262-60A00	.PACKING	1	1	
17	74271-60A00	.DAMPER	1	1	
18	74281-60A00	.PLATE	1	1	
19	74282-60A00	.LEVER, CONTROL	1	1	
20	74290-60A01	.RESISTOR	1	1	
21	03511-05165	.SCREW	4	4	
22	03111-04123	.SCREW	1	1	
23	08316-10053	.NUT	1	1	
24	01550-06123	BOLT	2	2	
25	08310-10083	NUT	1	1	

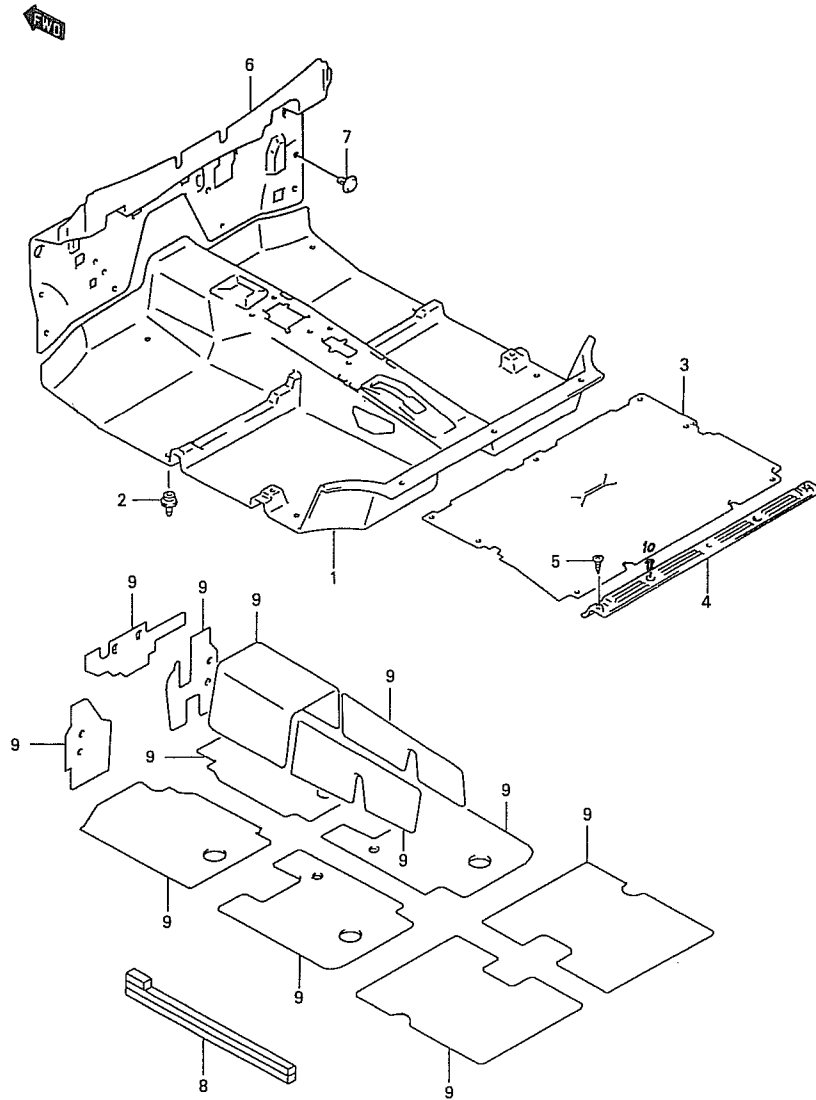
# FIG. 166



# FIG 166. CONSOLE BOX

REF. NO.	PART NO.	DESCRIPTION	QTY		REMARKS
			C	V	
1-1	73911-62A20-5ES	BOX, CTR CONSOLE FR (BLACK)	1	1	MY97,MT
1-2	73911-62A20-T01	BOX, CTR CONSOLE FR (GRAY)	1	1	MY98,MT
2-1	73911-62A30-5ES	BOX, CTR CONSOLE FR (BLACK)	1	1	MY97,AT
2-2	73911-62A30-T01	BOX, CTR CONSOLE FR (GRAY)	1	1	MY98,AT
3	73931-60A00	BRACKET, CONSOLE FR NO.1	1	1	MT
4	73931-60A10	BRACKET, CONSOLE FR NO.1	1	1	AT
5	73932-60A10	BRACKET, CONSOLE FR NO.2	1	1	
6-1	73921-60A10	BOX, CTR CONSOLE RR (BLACK)	1	1	MY97,3DR:JLX
6-2	73921-79E00-T01	BOX, CTR CONSOLE RR (GRAY)	1	1	MY98,3DR:JLX
6-3	73921-56B00-5ES	BOX, CTR CONSOLE RR (BLACK)	-	1	MY97:5DR
6-4	73920-79E10-T01	BOX, CTR CONSOLE RR (GRAY)	-	1	MY98:5DR
7-1	73933-60A00	BRACKET, CONSOLE RR NO.1	1	1	MY97:3DR:JLX
7-2	73933-56B00	BRACKET, CONSOLE RR NO.1	1	1	MY97:5DR,MY98:3DR:JLX,5DR
8	73934-60A00	BRACKET, CONSOLE RR NO.2	1	1	3DR:JLX,5DR
9	03241-06123	SCREW, RR BRACKET	2	2	3DR:JLX,5DR
10-1	09409-06314-5PK	CLIP, CONSOLE (BLACK)	2	2	3DR:JX
10-2	09409-06314-5PK	CLIP, CONSOLE (BLACK)	4	4	3DR:JLX,5DR
11-1	03241-05125	SCREW, CONSOLE	2	2	3DR:JX
11-2	03241-05125	SCREW, CONSOLE	4	4	3DR:JLX,5DR
12-1	73922-60A10-5ES	LID, CTR CONSOLE RR (BLACK)	1	1	MY97:3DR:JLX
12-2	73922-56B00-5ES	LID, CTR CONSOLE RR (BLACK)	-	1	MY97:5DR
12-3	73924-79E00-T01	CAP, CTR CONSOLE RR (GRAY)	1	1	MY98:3DR:JLX
13-1	89820-56B00-5ES	ASHTRAY, REAR (BLACK)	-	1	MY97:5DR
13-2	89820-56B00-T01	ASHTRAY, REAR (GRAY)	-	1	MY98:5DR
14	73923-56B00	GUIDE, ASHTRAY	-	1	5DR
15	03541-05163	SCREW, GUIDE	-	2	5DR
16	73915-60A00	CUSHION, CTR CONSOLE	1	1	
17	03541-05163	SCREW, GUIDE	2	2	MY97:3DR:JLX,,5DR
18	59916-85C00	NUT, RR LID	-	2	MY97:5DR
19	73170-50A00	LOCK, RR LID	1	1	MY97:3DR:JLX,5DR

# FIG. 167



# FIG 167. FLOOR CARPET (3DR)

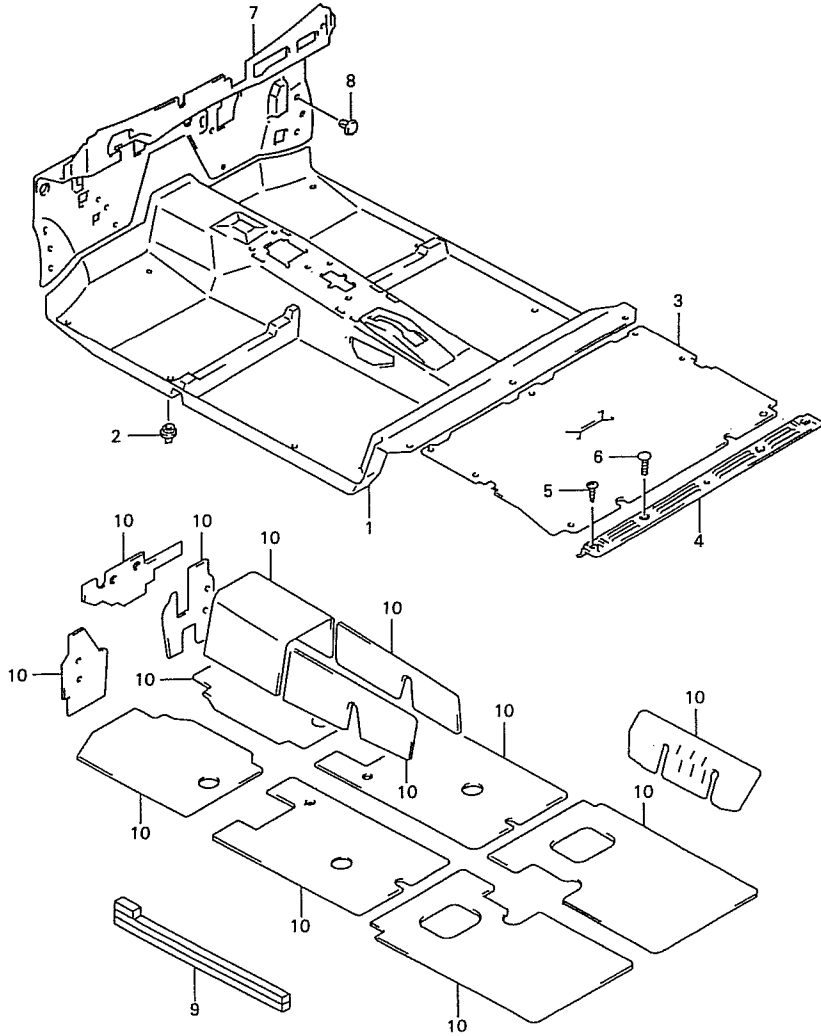
REF. NO.	PART NO.	DESCRIPTION	Q' TY		REMARKS
			C	V	
1-1	75160-64A10-5EZ	CARPET, FR FLOOR (GRAY)	1	1	MY97,JX
1-2	75160-85C09-T19	CARPET, FR FLOOR (GRAY)	1	1	MY98,JX
1-3	75160-63A50-5EZ	CARPET, FR FLOOR (GRAY)	1	1	MY97,JLX
1-4	75160-85C11-T19	CARPET, FR FLOOR (GRAY)	1	1	MY98,JLX
2	59991-85C00	MALE, CARPET HOOK	11	11	
3-1	75180-60A21-6MA	CARPET, RR FLOOR (GRAY)	1	1	MY97,JX
3-2	75180-60A21-T19	CARPET, RR FLOOR (GRAY)	1	1	MY98,JX
3-3	75180-85C00	CARPET, RR FLOOR (GRAY)	1	1	MY97,JLX
3-4	75180-85C00-T19	CARPET, RR FLOOR (GRAY)	1	1	MY98,JLX
4	75191-60A00	GARNISH, LUGGAGE MAT END	1	1	
5	09132-05041	SCREW, GARNISH (L:16)	4	4	
6-1	75210-56B12	SILENCER, DASH PANEL	1	1	LHD
6-2	75210-56B22	SILENCER, DASH PANEL	1	1	RHD
7	59933-85C00	CLIP, DASH SILENCER	11	11	
8	75221-77E00	SILENCER, FRAME UPPER	2	2	
9	99611-60A00	SHEET, SILENCER (800X1000X3)	AR	AR	CUT AS REQUIRED
10	09409-10302-5PK	CLIP, GARNISH	2	2	

# FIG. 168

FWD

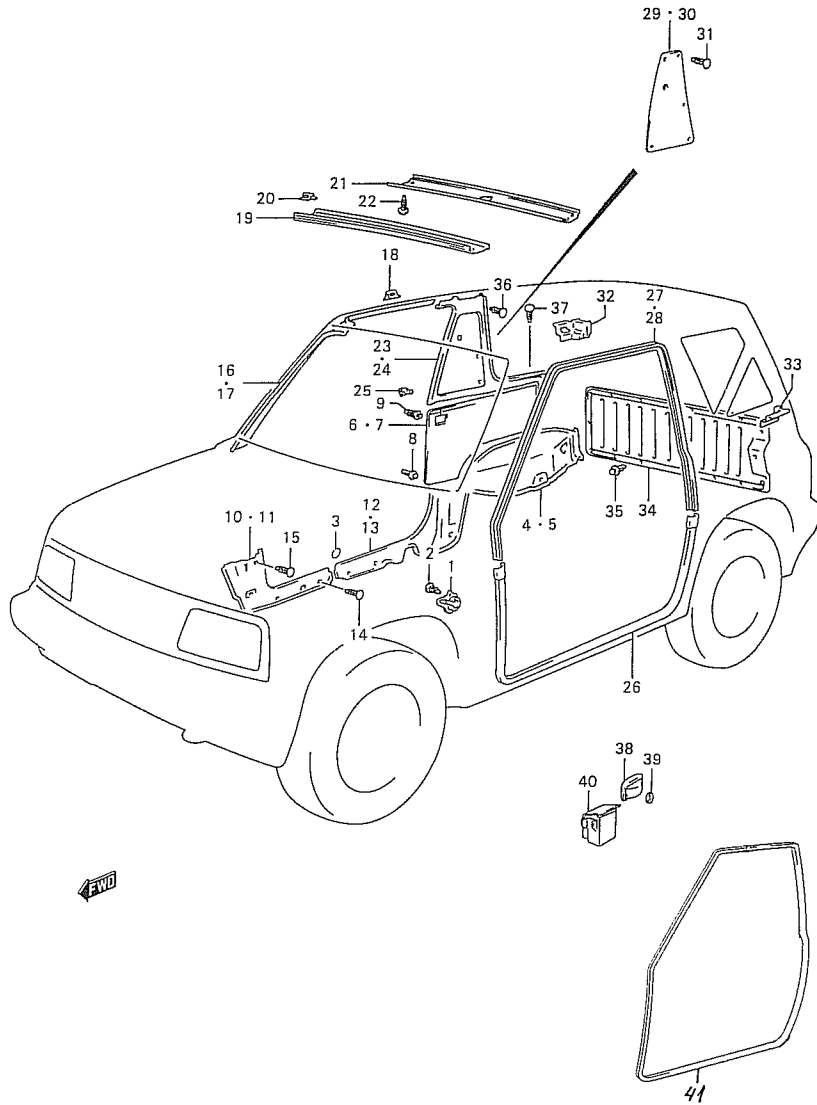
## FIG 168. FLOOR CARPET (5DR)

REF. NO.	PART NO.	DESCRIPTION	QTY		REMARKS
			C	V	
1-1	75160-57B30-5EK	CARPET, FR FLOOR (CHARCOAL)		1	MY97,
1-2	75160-57B30-T19	CARPET, FR FLOOR (GRAY)		1	MY98,
2	59991-85C00	MALE, CARPET HOOK		11	
3-1	75180-56B00-P47	CARPET, RR FLOOR (CHARCOAL)		1	MY97,
3-2	75180-56B00-T19	CARPET, RR FLOOR (GRAY)		1	MY98,
4	75191-56B20	GARNISH, LUGGAGE MAT END		1	
5	09132-05041	SCREW, GARNISH (L:16)		3	
6	09409-10302-5PK	CLIP (BLACK)		2	
7-1	75210-56B12	SILENCER, DASH PANEL		1	LHD
7-2	75210-56B22	SILENCER, DASH PANEL		1	RHD
8	59933-85C00	CLIP, DASH SILENCER		11	
9	75221-77E00	SILENCER, FRAME UPPER		2	
10	99611-60A00	SHEET, SILENCER (800X1000X3)		AR	CUT AS REQUIRED





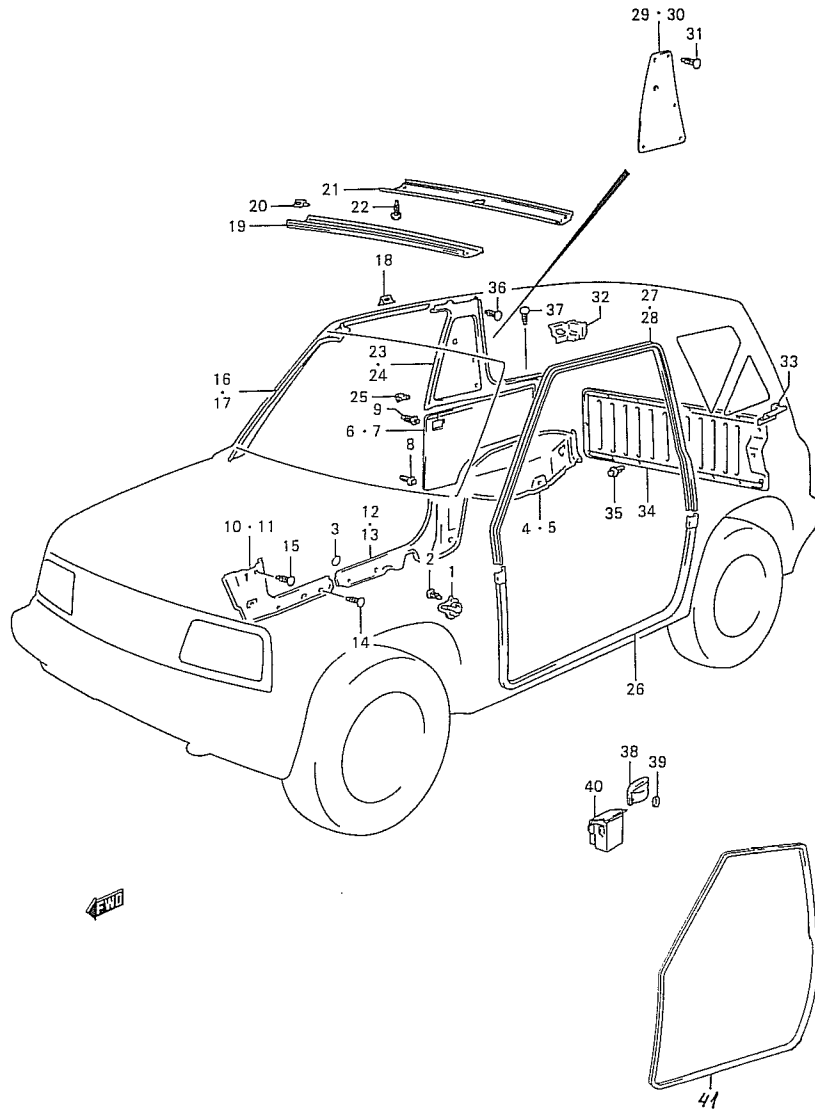
# FIG. 169



# FIG 169. INTERIOR TRIM (3DR: C)

REF. NO.	PART NO.	DESCRIPTION	Q' TY		REMARKS
			C	V	
1-1	36635-60A00-5PK	PROTECTOR, FLOOR HARNESS		1	MY97,JX (BLACK)
1-2	36635-60A00-T01	PROTECTOR, FLOOR HARNESS		1	MY98,JX (GRAY)
2-1	09409-07318-5ES	CLIP, PROTECTOR (BLACK)		1	MY97,JX
2-2	09409-07318-T01	CLIP, PROTECTOR (GRAY)		1	MY98,JX
3	72115-85C00	SEAL, TRIM HOLE (140X190)		8	JX
4-1	75140-60A10-5FE	TRIM, RR WHEEL HSG RH (BLACK)		1	MY97,
4-2	75140-60A10-T02	TRIM, RR WHEEL HSG RH (GRAY)		1	MY98,
5-1	75150-60A10-5FE	TRIM, RR WHEEL HSG LH (BLACK)		1	MY97,
5-2	75150-60A10-T02	TRIM, RR WHEEL HSG LH (GRAY)		1	MY98,
6-1	76110-67A50-5FE	TRIM, RR SIDE INR RH (BLACK)		1	MY97,JX
6-2	76110-66A40-T02	TRIM, RR SIDE INR RH (GRAY)		1	MY98,JX
6-3	76110-85C30	TRIM, RR SIDE INR RH (BLACK)		1	MY97,JLX
6-4	76110-85C30-T01	TRIM, RR SIDE INR RH (GRAY)		1	MY98,JLX
7-1	76120-67A50-5FE	TRIM, RR SIDE INR LH (BLACK)		1	MY97,JX
7-2	76120-66A90-T02	TRIM, RR SIDE INR LH (GRAY)		1	MY98,JX
7-3	76120-60A30-5ES	TRIM, RR SIDE INR LH (BLACK)		1	MY97,JLX
7-4	76120-85C30-T01	TRIM, RR SIDE INR LH (GRAY)		1	MY98,JLX
8-1	09409-08320	CLIP, TRIM		16	JX
8-2	09409-08322	CLIP, TRIM		6	JLX
9	09409-08322	CLIP, TRIM		8	JLX
10-1	76131-60A30-5ES	TRIM, SILL SIDE INR FR RH		1	MY97,JLX (BLACK)
10-2	76131-60A30-T01	TRIM, SILL SIDE INR FR RH		1	MY98,JLX (GRAY)
11-1	76141-60A30-5ES	TRIM, SILL SIDE INR FR LH		1	MY97,JLX (BLACK)
11-2	76141-60A30-T01	TRIM, SILL SIDE INR FR LH		1	MY98,JLX (GRAY)
12-1	76151-60A30-5ES	TRIM, SILL SIDE INR RR RH		1	MY97,JLX (BLACK)
12-2	76151-60A30-T01	TRIM, SILL SIDE INR RR RH		1	MY98,JLX (GRAY)
13-1	76161-60A30-5ES	TRIM, SILL SIDE INR RR LH		1	MY97,JLX (BLACK)
13-2	76161-60A30-T01	TRIM, SILL SIDE INR RR LH		1	MY98,JLX (GRAY)
14-1	59934-85C00-5ES	CLIP, TRIM (BLACK)		10	MY97,JLX
14-2	09409-05309-T01	CLIP, TRIM (GRAY)		10	MY98,JLX
15-1	09409-07318-5ES	CLIP, TRIM UPPER (BLACK)		2	MY97,JLX
15-2	09409-07318-T01	CLIP, TRIM UPPER (GRAY)		2	MY98,JLX
16-1	76171-60A31-5ES	TRIM, FR PILLAR INR RH (BLACK)		1	MY97,JLX
16-2	76171-60A31-6GS	TRIM, FR PILLAR INR RH (GRAY)		1	MY98,JLX
17-1	76181-60A32-5ES	TRIM, FR PILLAR INR LH (BLACK)		1	MY97,JLX
17-2	76181-60A32-6GS	TRIM, FR PILLAR INR LH (GRAY)		1	MY98,JLX
18	76281-60A30	CLIP, TRIM		6	JLX
19-1	76191-60A30	TRIM, ROOF FR INNER (BLACK)		1	MY97,JLX
19-2	76191-85C30-6GS	TRIM, ROOF FR INNER (GRAY)		1	MY98,JLX
20	76281-60A30	CLIP, TRIM		4	JLX
21-1	76211-60A30	TRIM, CTR PILLAR JOINT (BLACK)		1	MY97,JLX

# FIG. 169



## FIG 169. INTERIOR TRIM (3DR: C)

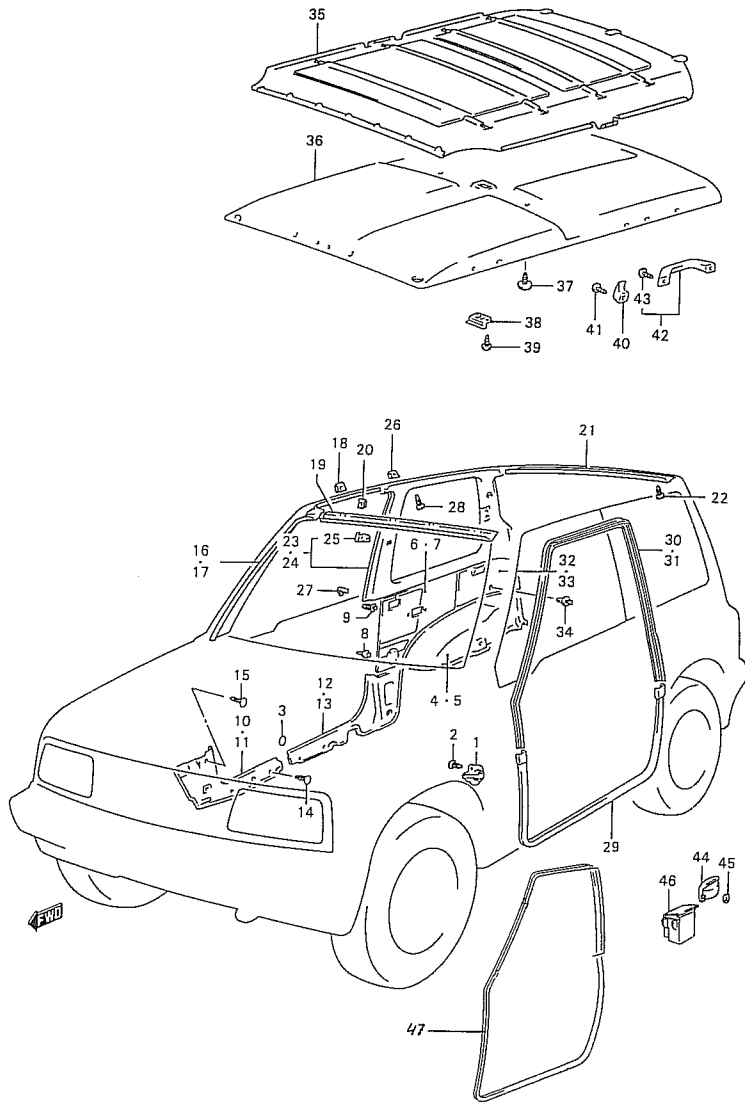
REF. NO.	PART NO.	DESCRIPTION	QTY		REMARKS
			C	V	
21-2	76211-85C30-6GS	TRIM, CTR PILLAR JOINT (GRAY)		1	MY98:JLX
22-1	76283-60A30-5ES	CLIP, TRIM (BLACK)		4	MY97:JLX
22-2	76283A60A30-6GS	CLIP, TRIM (GRAY)		4	MY98:JLX
23-1	76221-62A20-5ES	TRIM, RR SIDE INR RH (BLACK)		1	MY97:JLX:HARD TOP
23-2	76221-60A40	TRIM, RR SIDE INR RH (BLACK)		1	MY97:JLX:FAST TOP
23-3	76221-62A20-6GS	TRIM, RR SIDE INR RH (GRAY)		1	MY98:JLX:HARD TOP
23-4	76221-60A40-6GS	TRIM, RR SIDE INR RH (GRAY)		1	MY98:JLX:FAST TOP
24-1	76231-62A20-5ES	TRIM, RR SIDE INR LH (BLACK)		1	MY97:JLX:HARD TOP
24-2	76231-60A40	TRIM, RR SIDE INR LH (BLACK)		1	MY97:JLX:FAST TOP
24-3	76231-62A20-6GS	TRIM, RR SIDE INR LH (GRAY)		1	MY98:JLX:HARD TOP
24-4	76231-60A40-6GS	TRIM, RR SIDE INR LH (GRAY)		1	MY98:JLX:FAST TOP
25	76282-60A30	CLIP, LOWER		2	JLX
26	76240-78E00-5PK	TRIM, FR DOOR OPENING (BLACK)		2	MY98,
27	76242-78E00-5PK	WEATHERSTRIP, DOOR INNER RH		1	MY98: (BLACK)
28	76247-78E00-5PK	WEATHERSTRIP, DOOR INNER LH		1	MY98: (BLACK)
29-1	76311-62A20-5ES	TRIM, CTR PILLAR RH (BLACK)		1	MY97:JX
29-2	76311-62A20-6GS	TRIM, CTR PILLAR RH (GRAY)		1	MY98:JX
30-1	76321-62A20-5ES	TRIM, CTR PILLAR LH (BLACK)		1	MY97:JX
30-2	76321-62A20-6GS	TRIM, CTR PILLAR LH (GRAY)		1	MY98:JX
31-1	09409-10303-5ES	CLIP, TRIM (BLACK)		6	MY97:JX
31-2	09409A10303-6GS	CLIP, TRIM (BLACK)		6	MY98:JX
32	76331-60A00	GARNISH, RR QTR INNER RH		1	
33	76341-60A00	GARNISH, RR QTR INNER LH		1	
34-1	76271-60A10-5ES	TRIM, RR GATE (BLACK)		1	MY97
34-2	76271-60A10-T01	TRIM, RR GATE (GRAY)		1	MY98
35-1	09409-08308-5ES	CLIP, RR GATE (BLACK)		14	MY97
35-2	09409-08308-T01	CLIP, RR GATE (GRAY)		14	MY98
36-1	76283-60A30-5ES	CLIP, ASSISTANT GRIP (BLACK)		6	MY97:JX
36-2	76283A60A30-6GS	CLIP, ASSISTANT GRIP (GRAY)		6	MY98:JX
36-3	76283-60A30-5ES	CLIP, ASSISTANT GRIP (BLACK)		2	MY97:JLX
36-4	76283A60A30-6GS	CLIP, ASSISTANT GRIP (GRAY)		2	MY98:JLX
37-1	59934-85C00-5ES	CLIP, UPPER (BLACK)		2	MY97
37-2	09409-05309-T01	CLIP, UPPER (GRAY)		2	MY98
38-1	86370-78000-281	ASHTRAY, REAR (BLACK)		1	MY97:JX
38-2	86370-78000-T01	ASHTRAY, REAR (GRAY)		1	MY98:JX
39	09148A05006	NUT, ASHTRAY		2	JX
40-1	89820-60A00-5ES	ASHTRAY, REAR (BLACK)		2	MY97:JLX
40-2	89820-60A00-T01	ASHTRAY, REAR (GRAY)		2	MY98:JLX
41	76240-85C10	TRIM, FR DOOR OPENING (BLACK)		2	MY97

# FIG. 170

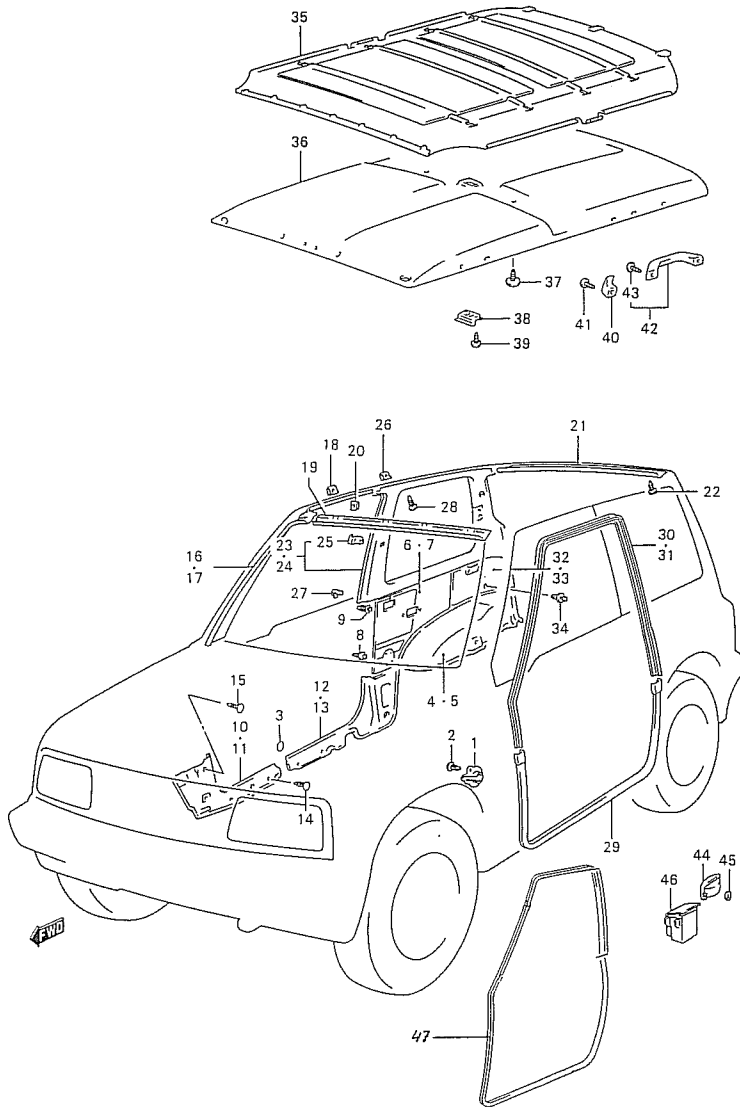
# FIG 170. INTERIOR TRIM (3DR: V)

REF. NO.	PART NO.	DESCRIPTION	C	Q'	TY	V	REMARKS
1-1	36635-60A00-5PK	PROTECTOR, FLOOR HARNESS				1	MY97,JX (BLACK)
1-2	36635-60A00-T01	PROTECTOR, FLOOR HARNESS				1	MY98,JX (GRAY)
2-1	09409-07318-5ES	CLIP, PROTECTOR (BLACK)				1	MY97,JX
2-2	09409-07318-T01	CLIP, PROTECTOR (GRAY)				1	MY98,JX
3	72115-85C00	SEAL, TRIM HOLE				8	JX
4-1	75140-60A00-5FE	TRIM, RR WHEEL HSG RH (BLACK)				1	MY97,
4-2	75140-60A00-T02	TRIM, RR WHEEL HSG RH (GRAY)				1	MY98,
5-1	75150-60A00-5FE	TRIM, RR WHEEL HSG LH (BLACK)				1	MY97,
5-2	75150-60A00-T02	TRIM, RR WHEEL HSG LH (GRAY)				1	MY98,
6-1	76110-67A10-5FE	TRIM, RR SIDE INR RH (BLACK)				1	MY97,JX
6-2	76110-66A70-T02	TRIM, RR SIDE INR RH (GRAY)				1	MY98,JX
6-3	76110-85C30	TRIM, RR SIDE INR RH (BLACK)				1	MY97,JLX
6-4	76110-85C30-T01	TRIM, RR SIDE INR RH (GRAY)				1	MY98,JLX
7-1	76120-67A10-5FE	TRIM, RR SIDE INR LH (BLACK)				1	MY97,JX
7-2	76120-67A10-T02	TRIM, RR SIDE INR LH (GRAY)				1	MY98,JX
7-3	76120-60A30-5ES	TRIM, RR SIDE INR LH (BLACK)				1	MY97,JLX
7-4	76120-85C30-T01	TRIM, RR SIDE INR LH (GRAY)				1	MY98,JLX
8-1	09409-08320	CLIP, TRIM				20	JX
8-2	09409-08322	CLIP, TRIM				6	JLX
9	09409-08322	CLIP, TRIM				8	JLX
10-1	76131-60A30-5ES	TRIM, SILL SIDE INR FR RH				1	MY97,JLX (BLACK)
10-2	76131-60A30-T01	TRIM, SILL SIDE INR FR RH				1	MY98,JLX (GRAY)
11-1	76141-60A30-5ES	TRIM, SILL SIDE INR FR LH				1	MY97,JLX (BLACK)
11-2	76141-60A30-T01	TRIM, SILL SIDE INR FR LH				1	MY98,JLX (GRAY)
12-1	76151-60A30-5ES	TRIM, SILL SIDE INR RR RH				1	MY97,JLX (BLACK)
12-2	76151-60A30-T01	TRIM, SILL SIDE INR RR RH				1	MY98,JLX (GRAY)
13-1	76161-60A30-5ES	TRIM, SILL SIDE INR RR LH				1	MY97,JLX (BLACK)
13-2	76161-60A30-T01	TRIM, SILL SIDE INR RR LH				1	MY98,JLX (GRAY)
14-1	59934-85C00-5ES	CLIP, TRIM (BLACK)				10	MY97,JLX
14-2	09409-05309-T01	CLIP, TRIM (GRAY)				10	MY98,JLX
15-1	09409-07318-5ES	CLIP, TRIM UPPER (BLACK)				2	MY97,JLX
15-2	09409-07318-T01	CLIP, TRIM UPPER (GRAY)				2	MY98,JLX
16-1	76171-61A31-5ES	TRIM, FR PILLAR INR RH (BLACK)				1	MY97,JLX
16-2	76171-61A31-6GS	TRIM, FR PILLAR INR RH (GRAY)				1	MY98,JLX
17-1	76181-61A30-5ES	TRIM, FR PILLAR INR LH (BLACK)				1	MY97,JLX
17-2	76181-61A31-6GS	TRIM, FR PILLAR INR LH (GRAY)				1	MY98,JLX
18	76281-60A30	CLIP, TRIM				14	JLX
19-1	76191-85C80-5ES	TRIM, ROOF FR INNER (BLACK)				1	MY97,JLX
19-2	76191-85C00-6GS	TRIM, ROOF FR INNER (GRAY)				1	MY98,JLX
20	76281-60A30	CLIP, TRIM				5	JLX
21-1	76211-85C80-5ES	TRIM, ROOF RR JOINT (BLACK)				1	MY97,JLX
21-2	76211-85C80-6GS	TRIM, ROOF RR JOINT (GRAY)				1	MY98,JLX

SE416/SE419TD - MY97,MY98



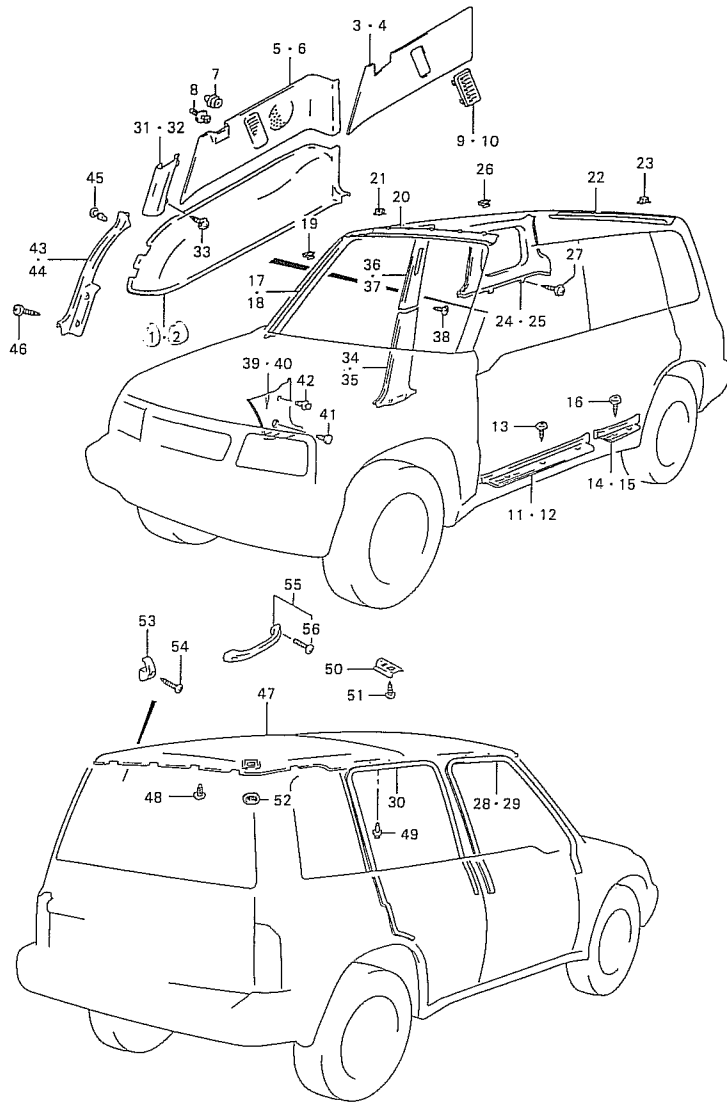
# FIG. 170



# FIG 170. INTERIOR TRIM (3DR: V)

REF. NO.	PART NO.	DESCRIPTION	Q' TY		REMARKS
			C	V	
22-1	09409-10304-5ES	CLIP, TRIM (BLACK)		5	MY97:JLX
22-2	09409-05309-6GS	CLIP, TRIM (GRAY)		5	MY98:JLX
23-1	76221-61A30-5ES	TRIM, RR SIDE INR UPPER RH		1	MY97,JLX (BLACK)
23-2	76221-63A20-6GS	TRIM, RR SIDE INR UPPER RH		1	MY98, JLX (GRAY)
24-1	76231-61A30-5ES	TRIM, RR SIDE INR UPPER LH		1	MY97,JLX (BLACK)
24-2	76231-63A20-6GS	TRIM, RR SIDE INR UPPER LH		1	MY98,JLX (GRAY)
25	76283-61A30	.PLATE, TRIM RR SIDE INR UPPER		28	JLX
26	76281-60A30	CLIP, TRIM UPPER		2	JLX
27	76282-60A30	CLIP, TRIM LOWER		2	JLX
28-1	59934-85C00-5ES	CLIP, TRIM (BLACK)		12	MY97,JLX
28-2	09409-05309-6GS	CLIP, TRIM (GRAY)		12	MY98,JLX
29	76240-78E00-5PK	TRIM, FR DOOR OPENING (BLACK)		2	MY98,
30	76242-78E00-5PK	WEATHERSTRIP, DOOR INNER RH		1	MY98: (BLACK)
31	76247-78E00-5PK	WEATHERSTRIP, DOOR INNER LH		1	MY98: (BLACK)
32-1	76251-85C80-5ES	TRIM, RR SIDE INR RH (BLACK)		1	MY97:JLX
32-2	76251-85C80-T01	TRIM, RR SIDE INR RH (GRAY)		1	MY98:JLX
33-1	76261-61A30-5ES	TRIM, RR SIDE INR LH (BLACK)		1	MY97:JLX
33-2	76261-85C80-T01	TRIM, RR SIDE INR LH (GRAY)		1	MY98:JLX
34-1	09409-08308-5ES	CLIP, TRIM (BLACK)		4	MY97:JLX
34-2	09409-08308-T01	CLIP, TRIM (GRAY)		4	MY98:JLX
35-1	78110-61A00-5EF	HEADLINING ASSY, ROOF (GRAY)		1	MY97:JX
35-2	78110A61A30-6NY	HEADLINING ASSY, ROOF (GRAY)		1	MY98:JX
36-1	78110-61A30	HEADLINING ASSY, ROOF (GRAY)		1	MY97:JLX
36-2	78110-85C30-6NW	HEADLINING ASSY, ROOF (GRAY)		1	MY98:JLX
37-1	09409A06310	CLIP, HEADLINING (GRAY)		7	MY97:JLX
37-2	59811-85C00-6GS	CLIP, HEADLINING (GRAY)		7	MY98:JLX
38	78121-61A00	SPACER, ROOM LAMP		1	JLX
39	03241-05125	SCREW, SPACER		1	JLX
40-1	84491-61A10-5ES	HOOK, COAT HANGER (BLACK)		1	MY97
40-2	84491-61A10-6GS	HOOK, COAT HANGER (GRAY)		1	MY98
41	03111-06253	SCREW, HOOK		1	
42-1	76400-61831-5ES	GRIP SET, ASSISTANT (BLACK)		3	MY97
42-2	76400-61831-6GS	GRIP SET, ASSISTANT (GRAY)		3	MY98
43-1	09125-06084	.SCREW, GRIP (6X17)		6	MY97:JX
43-2	09125-06041	.SCREW, GRIP (6X20)		6	MY97:JLX,MY98
44-1	86370-78000-281	ASHTRAY, REAR (BLACK)		1	MY97:JX
44-2	86370-78000-T01	ASHTRAY, REAR (GRAY)		1	MY98:JX
45	09148A05006	NUT, ASHTRAY		2	JX
46-1	89820-60A00-5ES	ASHTRAY, REAR (BLACK)		2	MY97:JLX
46-2	89820-60A00-T01	ASHTRAY, REAR (GRAY)		2	MY98:JLX
47	76240-85C10	TRIM, FR DOOR OPENING (BLACK)		2	MY97

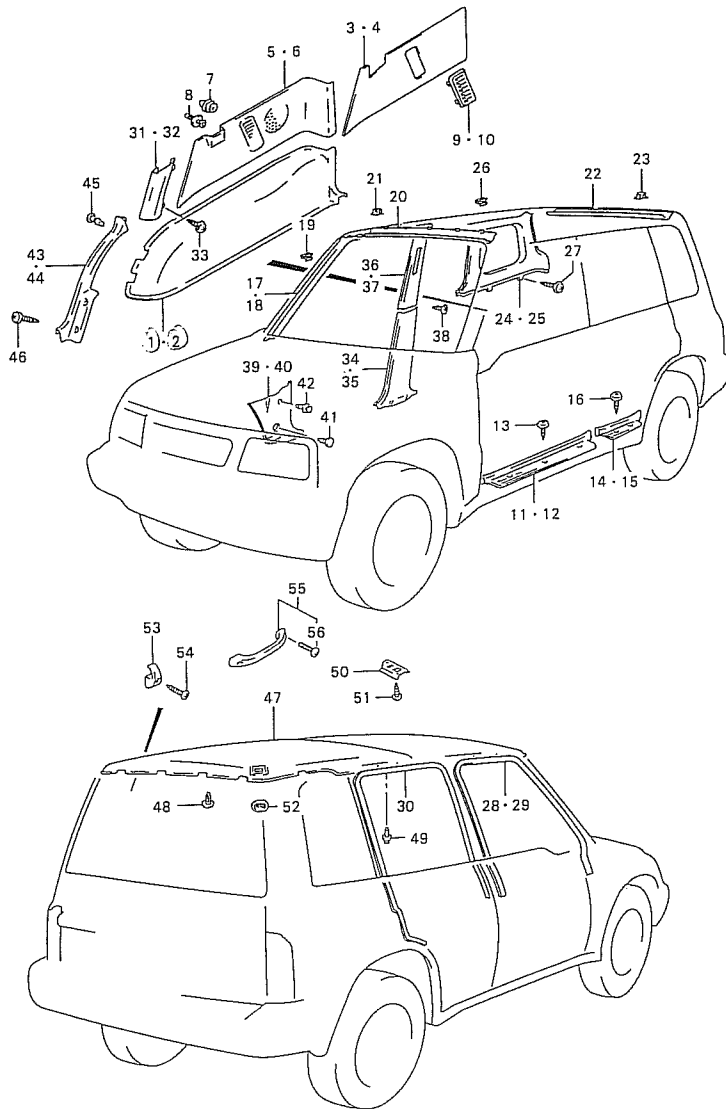
# FIG. 171



# FIG 171. INTERIOR TRIM (5DR)

REF. NO.	PART NO.	DESCRIPTION	QTY		REMARKS
			C	V	
1-1	75140-56B00-5FE	TRIM, RR WHEEL HSG RH (BLACK)		1	MY97,
1-2	75140-56B00-T02	TRIM, RR WHEEL HSG RH (GRAY)		1	MY98,
2-1	75150-56B00-5FE	TRIM, RR WHEEL HSG LH (BLACK)		1	MY97,
2-2	75150-56B00-T02	TRIM, RR WHEEL HSG LH (GRAY)		1	MY98,
3-1	76110-56B10-5FE	TRIM, RR QTR LOWER RH (BLACK)		1	MY97,JX
3-2	76110-56B10-T02	TRIM, RR QTR LOWER RH (GRAY)		1	MY98,JX
4-1	76120-56B10-5FE	TRIM, RR QTR LOWER LH (BLACK)		1	MY97,JX
4-2	76120-56B10-T02	TRIM, RR QTR LOWER LH (GRAY)		1	MY98,JX
5-1	76111-56B00-5ES	TRIM, RR QTR LOWER RH (BLACK)		1	MY97,JLX
5-2	76111-56B00-T01	TRIM, RR QTR LOWER RH (GRAY)		1	MY98,JLX
6-1	76121-56B00-5ES	TRIM, RR QTR LOWER LH (BLACK)		1	MY97,JLX
6-2	76121-56B10-T01	TRIM, RR QTR LOWER LH (GRAY)		1	MY98,JLX
7-1	09409-08320	CLIP, TRIM		12	JX
7-2	09409-08322	CLIP, TRIM		8	JLX
8	09409-08322	CLIP, TRIM FR		4	JLX
9-1	76292-56B00-5ES	COVER, AIR OUTLET HOLE RH		1	MY97,JX (BLACK)
9-2	76292-56B00-T01	COVER, AIR OUTLET HOLE RH		1	MY98,JX (GRAY)
10-1	76293-56B00-5ES	COVER, AIR OUTLET HOLE LH		1	MY97,JX (BLACK)
10-2	76293-56B00-T01	COVER, AIR OUTLET HOLE LH		1	MY98,JX (GRAY)
11-1	76131-56B00-5ES	SCUFF, SIDE SILL FR RH (BLACK)		1	MY97,
11-2	76131-56B00-T01	SCUFF, SIDE SILL FR RH (GRAY)		1	MY98,
12-1	76141-56B00-5ES	SCUFF, SIDE SILL FR LH (BLACK)		1	MY97,
12-2	76141-56B00-T01	SCUFF, SIDE SILL FR LH (GRAY)		1	MY98,
13	03541-04123	SCREW, SCUFF		6	
14-1	76152-56B00-5ES	SCUFF, SIDE SILL RR RH (BLACK)		1	MY97,
14-2	76152-56B00-T01	SCUFF, SIDE SILL RR RH (GRAY)		1	MY98,
15-1	76153-56B00-5ES	SCUFF, SIDE SILL RR LH (BLACK)		1	MY97,
15-2	76153-56B00-T01	SCUFF, SIDE SILL RR LH (GRAY)		1	MY98,
16	03541-04123	SCREW, SCUFF		4	
17-1	76171-56B01-5ES	TRIM, FR PILLAR UP RH (BLACK)		1	MY97,JLX
17-2	76171-56B01-6GS	TRIM, FR PILLAR UP RH (GRAY)		1	MY98,JLX
18-1	76181-56B01-5ES	TRIM, FR PILLAR UP LH (BLACK)		1	MY97,JLX
18-2	76181-56B01-6GS	TRIM, FR PILLAR UP LH (GRAY)		1	MY98,JLX
19	76281-60A30	CLIP, TRIM		6	JLX
20-1	76191-56B00-5ES	TRIM, ROOF FR JOINT (BLACK)		1	MY97,JLX
20-2	76191-56B00-6GS	TRIM, ROOF FR JOINT (GRAY)		1	MY98,JLX
21	76281-60A30	CLIP, TRIM		5	JLX
22-1	76211-56B00-5ES	TRIM, ROOF BACK JOINT (BLACK)		1	MY97,JLX
22-2	76211-56B00-6GS	TRIM, ROOF BACK JOINT (GRAY)		1	MY98,JLX
23	76281-60A30	CLIP, TRIM		4	JLX
24-1	76221-56B00-5ES	TRIM, RR QTR UPPER RH (BLACK)		1	MY97,JLX

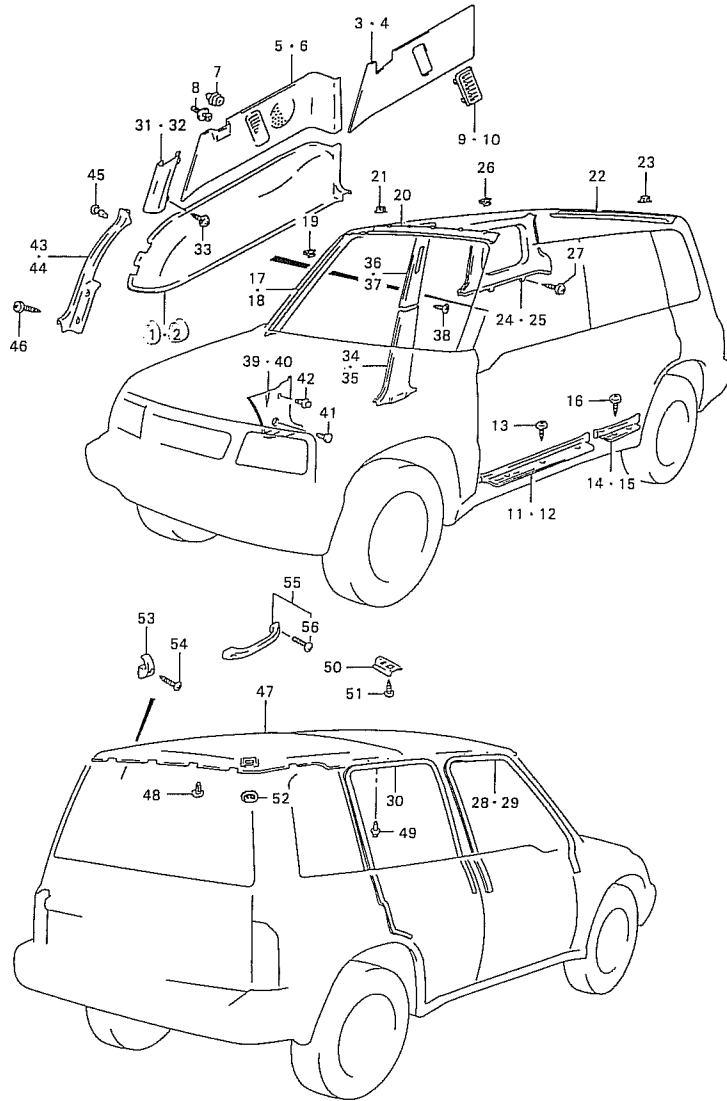
# FIG. 171



## FIG 171. INTERIOR TRIM (5DR)

REF. NO.	PART NO.	DESCRIPTION	C	Q' TY	V	REMARKS
24-2	76221-86C00-6GS	TRIM, RR QTR UPPER RH (GRAY)			1	MY98, JLX
25-1	76231-56B00-5ES	TRIM, RR QTR UPPER LH (BLACK)			1	MY97, JLX
25-2	76231-86C00-6GS	TRIM, RR QTR UPPER LH (GRAY)			1	MY98, JLX
26	76281-60A30	CLIP, TRIM			10	JLX
27	03141-05128	SCREW, TRIM			4	JLX
28-1	76240-85C10	TRIM, FR DOOR OPENING (BLACK)			2	MY97:L:3877>2362
28-2	76241-77E00-5PK	WEATHERSTRIP, DOOR INNER RH			1	MY98: (BLACK)
29	76246-77E00-5PK	WEATHERSTRIP, DOOR INNER LH			1	MY98: (BLACK)
30	76240-85C10	TRIM, RR DOOR OPENING (BLACK)			2	L:3877>1719
31-1	76251-56B00-5ES	TRIM, RR QTR LWR FR RH (BLACK)			1	MY97
31-2	76251-56B00-T01	TRIM, RR QTR LWR FR RH (GRAY)			1	MY98
32-1	76261-56B00-5ES	TRIM, RR QTR LWR FR LH (BLACK)			1	MY97
32-2	76261-56B00-T01	TRIM, RR QTR LWR FR LH (GRAY)			1	MY98
33	03141-05128	SCREW, TRIM			4	
34-1	76311-56B00-5ES	TRIM, CTR PILLAR LWR RH			1	MY97: (BLACK)
34-2	76311-56B00-T01	TRIM, CTR PILLAR LWR RH (GRAY)			1	MY98: (GRAY)
35-1	76321-56B00-5ES	TRIM, CTR PILLAR LWR LH			1	MY97: (BLACK)
35-2	76321-56B00-T01	TRIM, CTR PILLAR LWR LH (GRAY)			1	MY98: (GRAY)
36-1	76331-56B10-5ES	TRIM, CTR PILLAR UP RH (BLACK)			1	MY97
36-2	76331-56B10-6GS	TRIM, CTR PILLAR UP RH (GRAY)			1	MY98
37-1	76341-56B10-5ES	TRIM, CTR PILLAR UP LH (BLACK)			1	MY97
37-2	76341-56B10-6GS	TRIM, CTR PILLAR UP LH (GRAY)			1	MY98
38	03141-05128	SCREW, TRIM			2	
39-1	76351-56B00-5ES	TRIM, FR PILLAR LWR RH (BLACK)			1	MY97
39-2	76351-56B00-T01	TRIM, FR PILLAR LWR RH (GRAY)			1	MY98
40-1	76361-56B00-5ES	TRIM, FR PILLAR LWR LH (BLACK)			1	MY97
40-2	76361-56B00-T01	TRIM, FR PILLAR LWR LH (GRAY)			1	MY98
41-1	59934-85C00-5ES	CLIP, TRIM LOWER (BLACK)			2	MY97
41-2	09409-05309-T01	CLIP, TRIM LOWER (GRAY)			2	MY98
42-1	09409-07318-5ES	CLIP, TRIM UPPER (BLACK)			2	MY97
42-2	09409-07318-T01	CLIP, TRIM UPPER (GRAY)			2	MY98
43-1	76371-56B00-5ES	SCUFF, RR WHEEL HSG FR RH			1	MY97: (BLACK)
43-2	76371-56B00-T01	SCUFF, RR WHEEL HSG FR RH (GRAY)			1	MY98: (GRAY)
44-1	76381-56B00-5ES	SCUFF, RR WHEEL HSG FR LH			1	MY97: (BLACK)
44-2	76381-56B00-T01	SCUFF, RR WHEEL HSG FR LH (GRAY)			1	MY98: (GRAY)
45	09409-10304-5ES	CLIP, SCUFF (GRAY)			2	
46	03141-05303	SCREW, SCUFF			4	
47-1	78110-56B11-6NG	HEADLINING ASSY, ROOF (GRAY)			1	MY97:JX
47-2	78110-56B11-6NW	HEADLINING ASSY, ROOF (GRAY)			1	MY98:JX
47-3	78110-56B01-6NG	HEADLINING ASSY, ROOF (GRAY)			1	MY97:JLX :N/SUN ROOF
47-4	78110-58B00-6NW	HEADLINING ASSY, ROOF (GRAY)			1	MY98:JLX:N/SUN ROOF

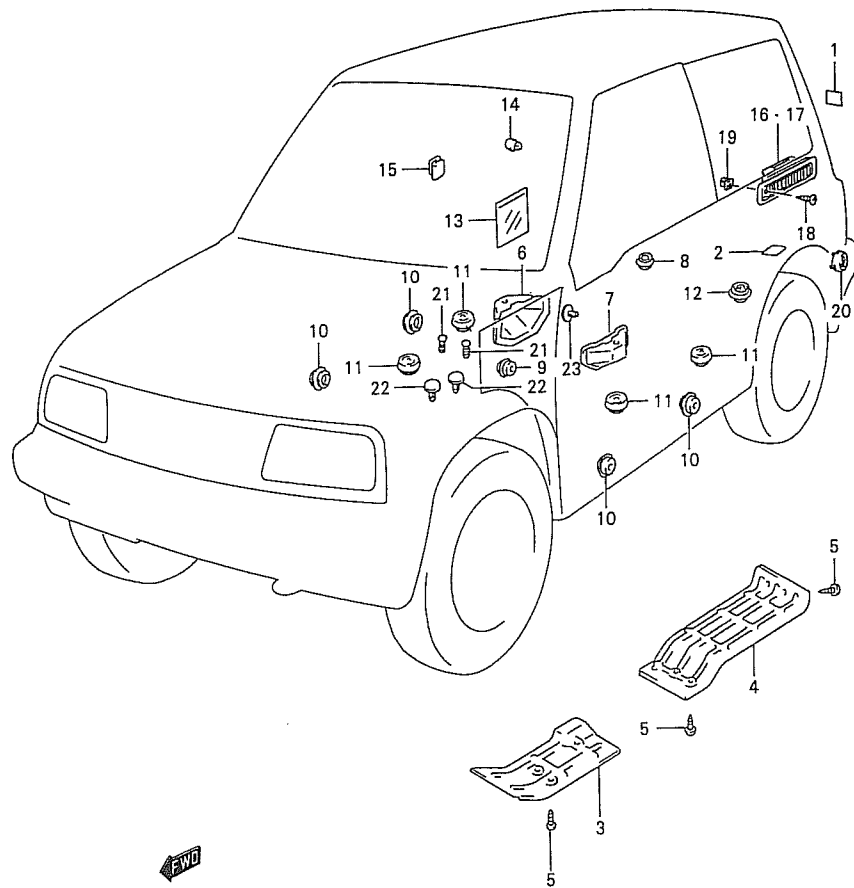
# FIG. 171



## FIG 171. INTERIOR TRIM (5DR)

REF. NO.	PART NO.	DESCRIPTION	QTY		REMARKS
			C	V	
47-5	78110-56B31-6NG	HEADLINING ASSY, ROOF (GRAY)		1	MY97:JLX:W/SUN ROOF
47-6	78110-56B31-6NW	HEADLINING ASSY, ROOF (GRAY)		1	MY98:JLX:W/SUN ROOF
48-1	09409A06310	CLIP, HEADLINING (GRAY)		8	MY97:JX
48-2	59811-85C00-6GS	CLIP, HEADLINING (GRAY)		8	MY98:JX
48-3	09409A06310	CLIP, HEADLINING (GRAY)		4	MY97:JLX :N/SUN ROOF
48-4	59811-85C00-6GS	CLIP, HEADLINING (GRAY)		4	MY98:JLX :N/SUN ROOF
48-5	09409A06310	CLIP, HEADLINING (GRAY)		3	MY97:JLX:W/SUN ROOF
48-6	59811-85C00-6GS	CLIP, HEADLINING (GRAY)		3	MY98:JLX:W/SUN ROOF
49	09409-06319	CLIP, HEADLINING CTR		1	JLX:W/SUN ROOF
50	78121-61A00	SPACER, ROOM LAMP		1	
51	03241-05125	SCREW, SPACER		1	
52-1	78131-56B00-5EH	GARNISH, AIR OUTLET (GRAY)		2	MY97
52-2	78131-56B00-6GS	GARNISH, AIR OUTLET (GRAY)		2	MY98
53-1	84491-61A10-5ES	HOOK, COAT HANGER (BLACK)		1	MY97
53-2	84491-61A10-6GS	HOOK, COAT HANGER (GRAY)		1	MY98
54	03111-06253	SCREW, HOOK		1	
55-1	76400-61831-5ES	GRIP SET, ASSISTANT (BLACK)		3	MY97
55-2	76400-61831-6GS	GRIP SET, ASSISTANT (GRAY)		3	MY98
56	09125-06041	.SCREW, GRIP (6X20)		6	

# FIG. 172



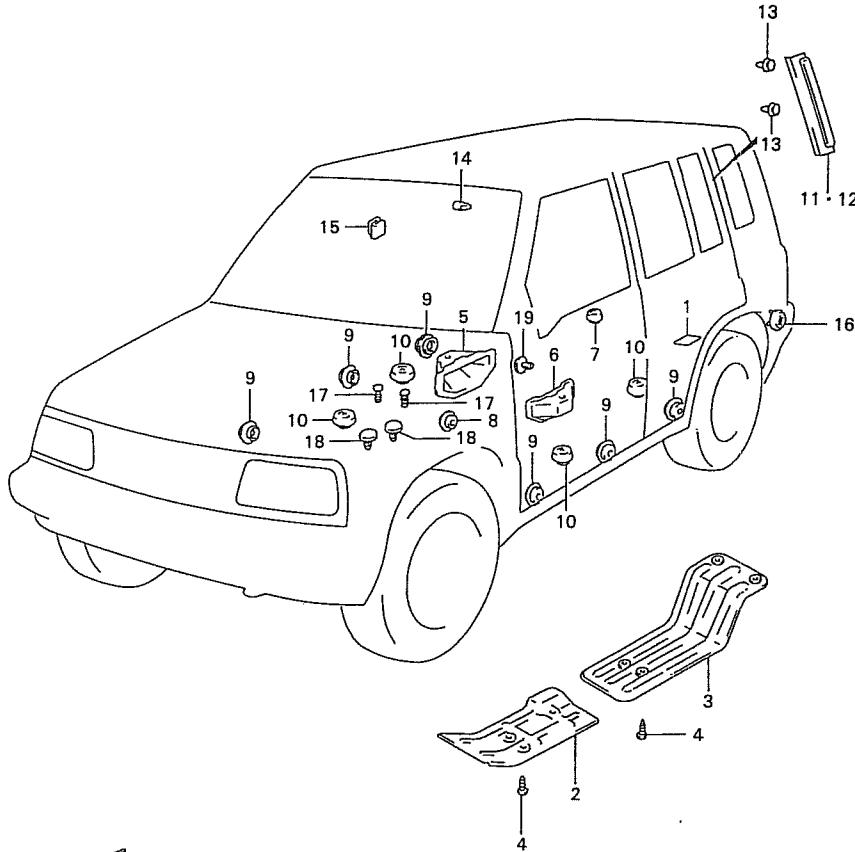
## FIG 172. CAP / COVER (3DR)

REF. NO.	PART NO.	DESCRIPTION	Q' TY		REMARKS
			C	V	
1	72115-85C00	SEAL, HOLE	2	2	
2	72115-85C00	SEAL, RR COIL SPRING BRACKET	2	2	
3	75511-60A10	PANEL, HEAT PROTECTOR FR	1	1	
4	75512-60A10	PANEL, HEAT PROTECTOR RR	1	1	
5	03141-06123	SCREW, PROTECTOR	7	7	
6	75611-60A01	COVER, SEAT BRACKET RH	1	1	
7	75711-60A00	COVER, SEAT BRACKET LH	1	1	
8	59961-85C00	CAP, RR FLOOR DRAIN	1	1	
9	09250-20002	CAP, HOOD LOCK CABLE	1	1	
10	09250-25007	CAP, SILL SIDE INNER	4	4	
11	09250-30010	CAP, FLOOR	4	4	
12	76411-60A00	CAP, CTR PILLAR	2	-	JX
13	76481-61A00	FILM, RR QTR WATER PROOF	-	2	
14	77131-60A10	CUSHION, FUEL LID	2	2	
15	77117-60B00	STOPPER, FUEL LID	1	1	
16	77110-61A10	AIR OUTLET ASSY, SIDE RH	-	1	
17	77120-61A10	AIR OUTLET ASSY, SIDE LH	-	1	
18	03122-04163	SCREW, OUTLET	-	2	
19	09148-04021	NUT, OUTLET	-	2	
20	09250-16013	CAP, SIDE BODY RR	2	2	
21	09250-05011	PLUG, FLOOR NO.1	2	2	N/AIR BAG
22	09250-08005	PLUG, FLOOR NO.2	2	2	N/AIR BAG
23	09250-08005	PLUG, PILLAR INNER	3	3	N/AIR BAG



# FIG. 173

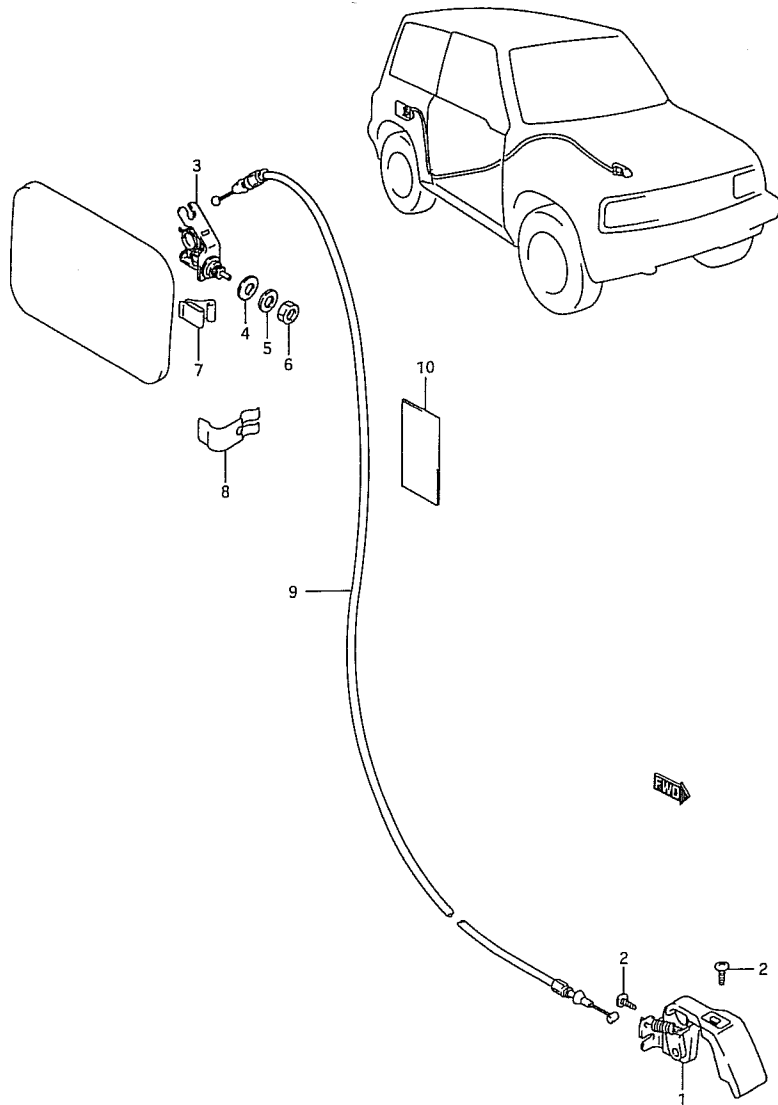
# FIG 173. CAP / COVER (5DR)



REF. NO.	PART NO.	DESCRIPTION	QTY		REMARKS
			C	V	
1	72115-85C00	SEAL, RR COIL SPRING BRACKET		2	
2	75511-60A10	PANEL, HEAT PROTECTOR FR		1	
3	75512-56B00	PANEL, HEAT PROTECTOR RR		1	
4	03141-06123	SCREW, PROTECTOR		7	
5	75611-60A01	COVER, SEAT BRACKET RH		1	
6	75711-60A00	COVER, SEAT BRACKET LH		1	
7	59961-85C00	CAP, CTR FLOOR FR DRAIN		2	
8	09250-20002	CAP, HOOD LOCK CABLE		1	
9	09250-25007	CAP, SILL SIDE INNER		6	
10	09250-30010	CAP, FLOOR		4	
11	77111-56B00-0CE	GARNISH, AIR OUTLET RH (BLACK)		1	
12	77121-56B00-0CE	GARNISH, AIR OUTLET LH (BLACK)		1	
13	77259-71B00	CLIP, GARNISH		4	
14	77131-60A10	CUSHION, FUEL LID		2	
15	77117-60B00	STOPPER, FUEL LID		1	
16	09250-16013	CAP, SIDE BODY RR		2	
17	09250-05011	PLUG, FLOOR NO.1		2	N/AIR BAG
18	09250-08005	PLUG, FLOOR NO.2		2	N/AIR BAG
19	09250-08005	PLUG, PILLAR INNER		3	N/AIR BAG



# FIG. 174



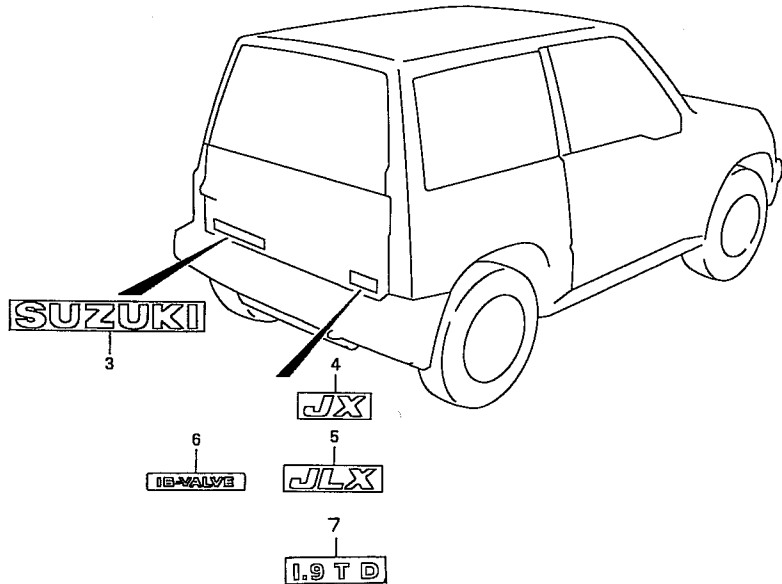
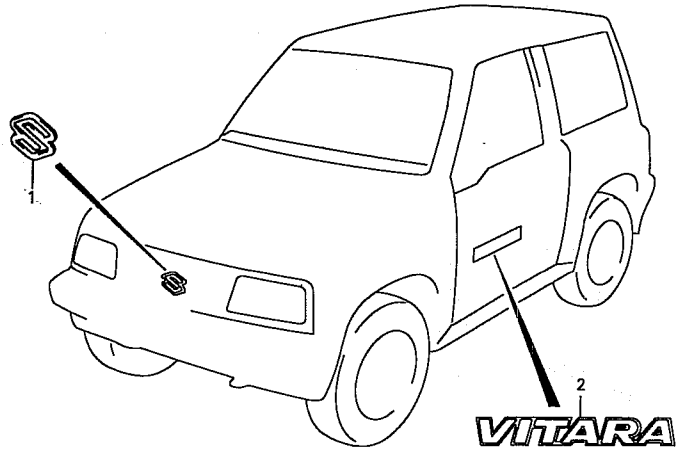
## FIG 174. FUEL LID OPENER (V:JLX)

REF. NO.	PART NO.	DESCRIPTION	QTY		REMARKS
			C	V	
1	76510-60A00	HANDLE ASSY, FUEL OPENER		1	
2	03241-06123	SCREW, HANDLE		2	
3	76520-60A00	OPENER ASSY, FUEL LID		1	
4	09160-13011	WASHER, OPENER		1	
5	08322-11103	WASHER, OPENER		1	
6	08310-00103	NUT, OPENER		1	
7	76531-60A20	SPRING, FUEL LID		1	3DR
8	77118-60B02	SPRING, FUEL LID		1	5DR
9-1	76550-85C60	CABLE ASSY, FUEL OPENER		1	LHD
9-2	76550-60A00	CABLE ASSY, FUEL OPENER		1	RHD:3DR
9-3	76550-56B00	CABLE ASSY, FUEL OPENER		1	RHD:5DR
10-1	36930-85C00	TAPE, CABLE		6	LHD:3DR
10-2	36930-85C00	TAPE, CABLE		7	LHD:5DR
10-3	36930-85C00	TAPE, CABLE		1	RHD:3DR
10-4	36930-85C00	TAPE, CABLE		2	RHD:5DR

# FIG. 175

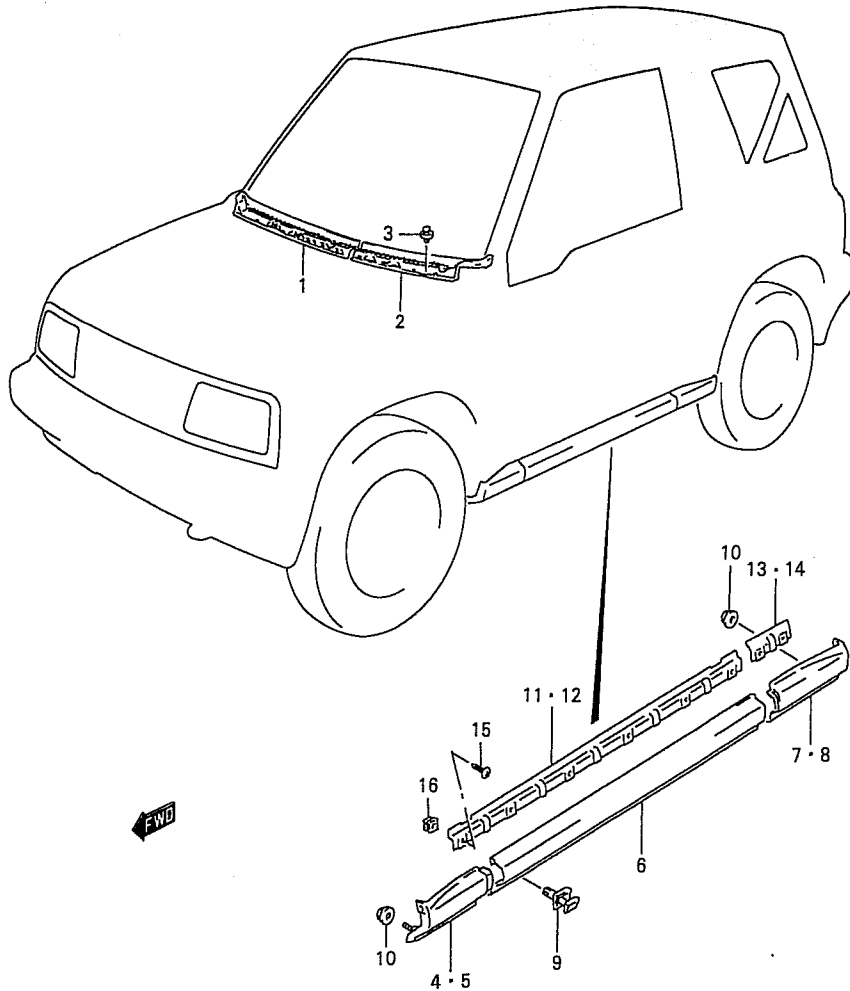
## FIG 175. EMBLEM

REF. NO.	PART NO.	DESCRIPTION	Q' TY		REMARKS
			C	V	
1	77811-60A00-0PG	EMBLEM, S MARK (CHROME)	1	1	
2	77823-60A00-G78	EMBLEM, FR DOOR VITARA	2	2	(SILVER)
3	77831-85C00-31R	EMBLEM, RR GATE LOWER (SILVER)	1	-	
4	77712-60A00-31R	EMBLEM, JX (SILVER)	1	1	JX
5	77713-85C00-31R	EMBLEM, JLX (SILVER)	1	1	JLX
6	77861-60A00-G79	EMBLEM, 16-VALVE (SILVER)	1	1	4 VALVE
7	77831-86CB0	EMBLEM, 1.9 T D	1	1	1.9 T. DIESEL



# FIG. 176

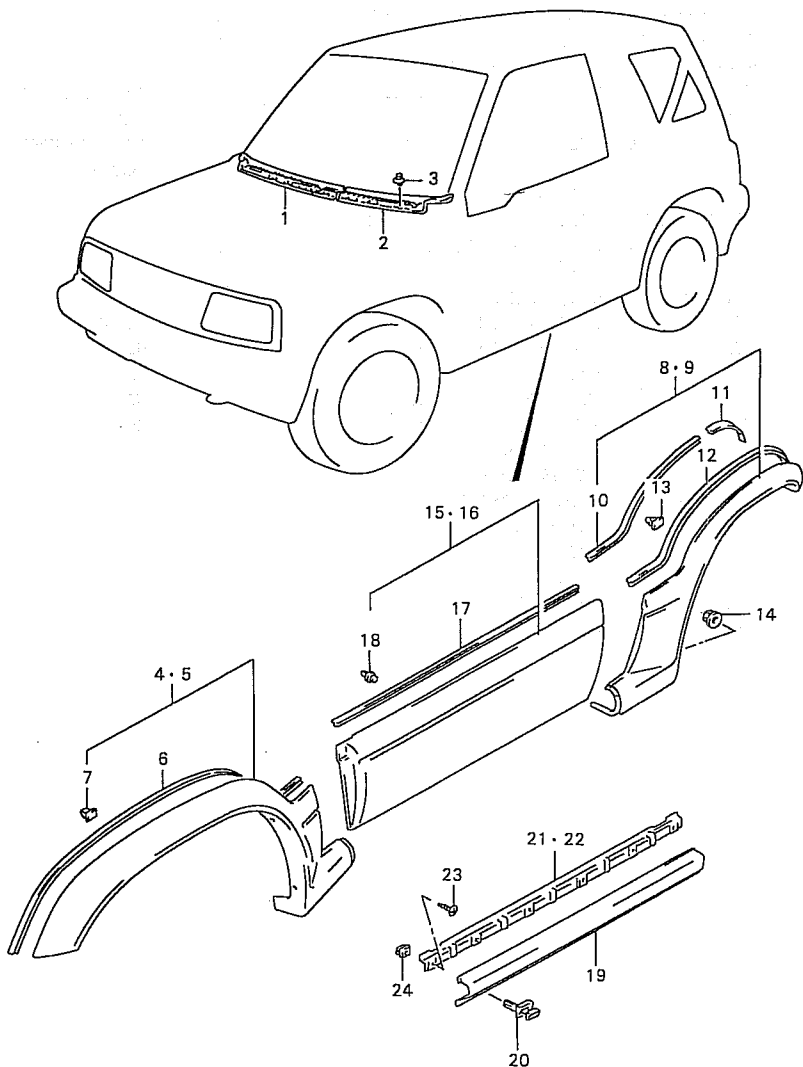
## FIG 176. GARNISH / MOLDING (3DR: C)



REF. NO.	PART NO.	DESCRIPTION	Q' TY		REMARKS
			C	V	
1	77311-60A20-5PK	GARNISH, COWL CTR RH (BLACK)		1	
2	77312-60A20-5PK	GARNISH, COWL CTR LH (BLACK)		1	
3	09409-07308-5PK	CLIP, GARNISH (BLACK)		9	
4	77531-85C00	PROTECTOR, SILL SIDE FR RH		1	(BLACK)
5	77541-85C00	PROTECTOR, SILL SIDE FR LH		1	(BLACK)
6	77536-85C00	PROTECTOR, SILL SIDE CTR		2	(BLACK)
7	77532-85C00	PROTECTOR, SILL SIDE RR RH		1	(BLACK)
8	77542-85C00	PROTECTOR, SILL SIDE RR LH		1	(BLACK)
9	77537-60A10-5PK	CLIP, PROTECTOR (BLACK)		8	
10	08316-20063	NUT, PROTECTOR		4	
11	77534-60A10	HOLDER, PROTECTOR CTR RH		1	
12	77544-60A10	HOLDER, PROTECTOR CTR LH		1	
13	77535-60A10	HOLDER, PROTECTOR RR RH		1	
14	77545-60A10	HOLDER, PROTECTOR RR LH		1	
15	03141-05128	SCREW, HOLDER		16	
16	59918-85C00	NUT, HOLDER		16	

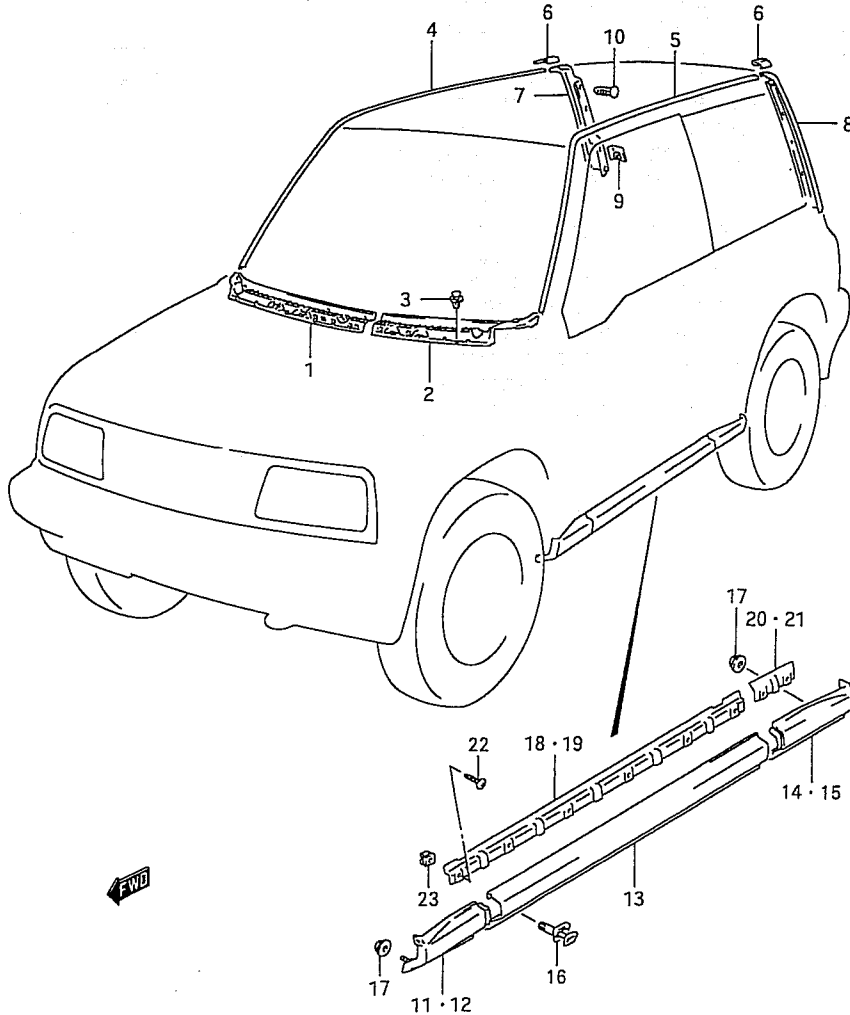
# FIG. 177

# FIG 177. GARNISH / SPLASH GUARD (3DR: C: SPECIAL)



REF. NO.	PART NO.	DESCRIPTION	QTY		REMARKS
			C	V	
1	77311-60A20-5PK	GARNISH, COWL CTR RH (BLACK)		1	
2	77312-60A20-5PK	GARNISH, COWL CTR RH (BLACK)		1	
3	09409-07308-5PK	CLIP, GARNISH (BLACK)		9	
4	77530-66A00-26Y	GUARD, FENDER SPLASH RH		1	(SILVER)
5	77630-66A00-26Y	GUARD, FENDER SPLASH LH		1	(SILVER)
6	77611-77E01-26Y	.PROTECTOR, GUARD EDGE		2	(SILVER)
7	09409-10309	.CLIP, SPLASH GUARD		14	
8	77550-66A00-26Y	GUARD, RR SPLASH RH (SILVER)		1	
9	77650-66A00-26Y	GUARD, RR SPLASH LH (SILVER)		1	
10	77611-77E01-26Y	.PROTECTOR, GUARD EDGE		1	RH,L:1067>812 (SILVER)
11	77611-77E01-26Y	.PROTECTOR, GUARD EDGE		1	RH,L:1067>88 (SILVER)
12	77611-77E01-26Y	.PROTECTOR, GUARD EDGE		1	LH,L:1067>1038
13	09409-10309	.CLIP, SPLASH GUARD		12	
14	08316-20063	NUT, SPLASH GUARD		2	
15	77560-78E01-26Y	GUARD, FR DR SPLASH RH		1	(SILVER)
16	77660-78E01-26Y	GUARD, FR DR SPLASH LH		1	(SILVER)
17	77611-77E01-26Y	.PROTECTOR, GUARD EDGE		2	(SILVER)
18	77259-71B00	.CLIP, SPLASH GUARD		20	
19	77536-85C00-26Y	PROTECTOR, SILL SIDE (SILVER)		2	
20	77537-60A10-26Y	CLIP, PROTECTOR (SILVER)		2	
21	77534-60A10	HOLDER, PROTECTOR RH		1	
22	77544-60A10	HOLDER, PROTECTOR LH		1	
23	03141-05128	SCREW		12	
24	59918-85C00	NUT		12	

# FIG. 178



## FIG 178. GARNISH / MOLDING (3DR: V)

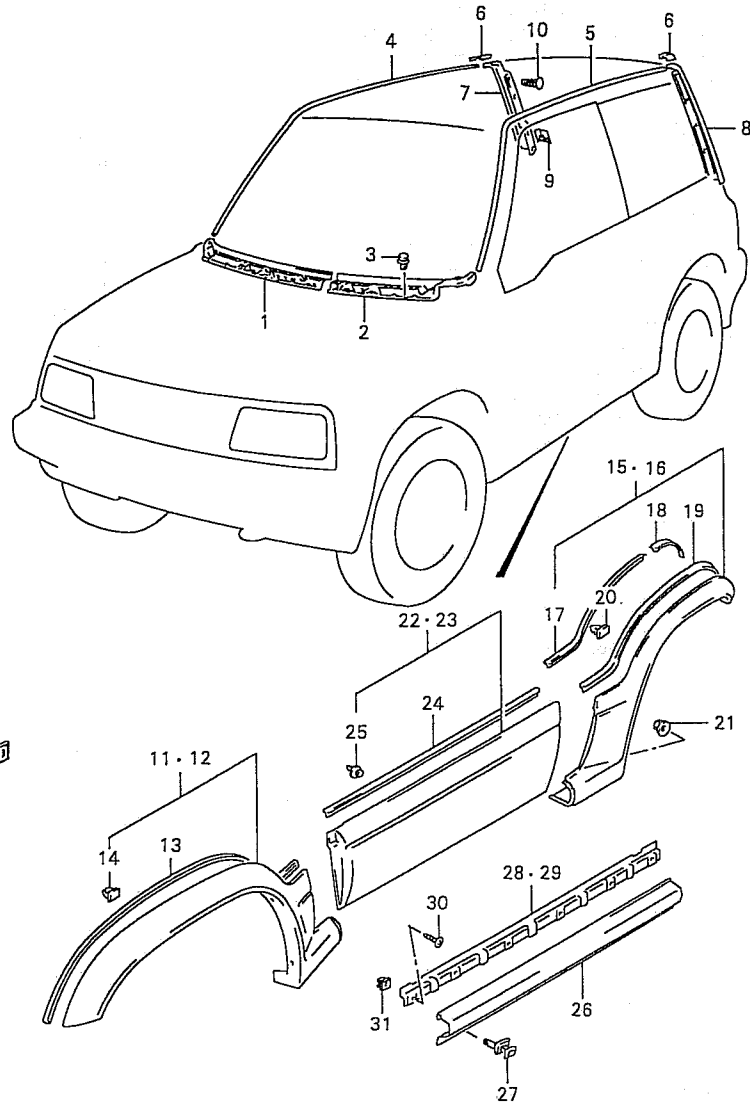
REF. NO.	PART NO.	DESCRIPTION	Q' TY		REMARKS
			C	V	
1	77311-60A20-5PK	GARNISH, COWL CTR RH (BLACK)		1	
2	77312-60A20-5PK	GARNISH, COWL CTR LH (BLACK)		1	
3	09409-07308-5PK	CLIP, GARNISH (BLACK)		9	
4	77571-56B00-5PK	MOLDING, ROOF DRIP SIDE RH		1	CUT AS REQUIRED (BLACK)
5	77575-56B00-5PK	MOLDING, ROOF DRIP SIDE LH		1	CUT AS REQUIRED (BLACK)
6	77515-61A10-5PK	JOINT, MOLDING (BLACK)		2	
7	77512-61A01-5PK	GARNISH, RR PILLAR RH (BLACK)		1	
8	77522-61A01-5PK	GARNISH, RR PILLAR LH (BLACK)		1	
9	77517-61A00	HOOK, GARNISH		8	
10	09409-10304-5ES	CLIP, GARNISH (BLACK)		6	
11	77531-85C00	PROTECTOR, SILL SIDE FR RH		1	(BLACK)
12	77541-85C00	PROTECTOR, SILL SIDE FR LH		1	(BLACK)
13	77536-85C00	PROTECTOR, SILL SIDE CTR		2	(BLACK)
14	77532-85C00	PROTECTOR, SILL SIDE RR RH		1	(BLACK)
15	77542-85C00	PROTECTOR, SILL SIDE RR LH		1	(BLACK)
16	77537-60A10-5PK	CLIP, PROTECTOR (BLACK)		8	
17	08316-20063	NUT, PROTECTOR		4	
18	77534-60A10	HOLDER, PROTECTOR CTR RH		1	
19	77544-60A10	HOLDER, PROTECTOR CTR LH		1	
20	77535-60A10	HOLDER, PROTECTOR RR RH		1	
21	77545-60A10	HOLDER, PROTECTOR RR LH		1	
22	03141-05128	SCREW, HOLDER		16	
23	59918-85C00	NUT, HOLDER		16	

# FIG. 179

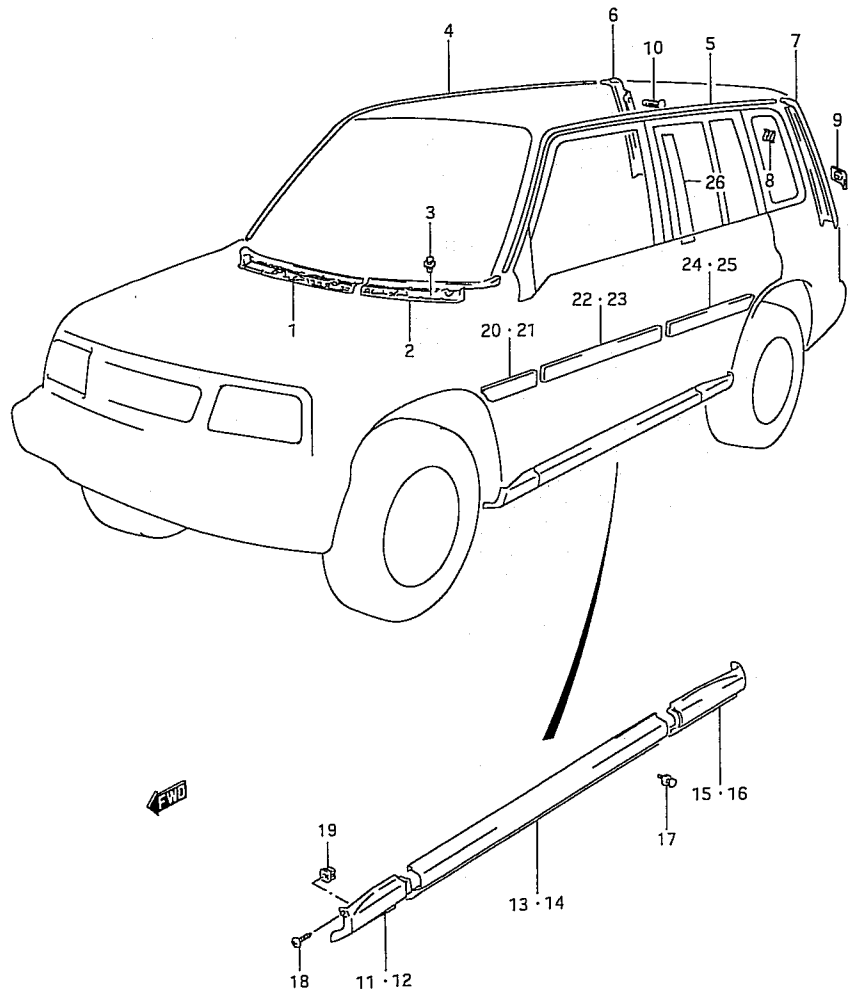
# FIG 179. GARNISH / SPLASH GUARD (3DR: V: SPECIAL)

REF. NO.	PART NO.	DESCRIPTION	Q' TY		REMARKS
			C	V	
1	77311-60A20-5PK	GARNISH, COWL CTR RH (BLACK)	1		
2	77312-60A20-5PK	GARNISH, COWL CTR LH (BLACK)	1		
3	09409-07308-5PK	CLIP, GARNISH (BLACK)	9		
4	77571-56B00-5PK	MOLDING, ROOF DRIP SIDE RH 1			CUT AS REQUIRED (BLACK)
5	77575-56B00-5PK	MOLDING, ROOF DRIP SIDE LH 1			CUT AS REQUIRED (BLACK)
6	77515-61A10-5PK	JOINT, MOLDING (BLACK)	1		
7	77512-61A01-5PK	GARNISH, RR PILLAR RH (BLACK)	1		
8	77522-61A01-5PK	GARNISH, RR PILLAR LH (BLACK)	1		
9	77517-61A00	HOOK, REAR PILLAR GARNISH 8			
10	09409-10304-5RS	CLIP, GARNISH (BLACK)	6		
11	77530-66A00-26Y	GUARD, FENDER SPLASH RH 1			(SILVER)
12	77630-66A00-26Y	GUARD, FENDER SPLASH LH 1			(SILVER)
13	77611-77E01-26Y	.PROTECTOR, GUARD EDGE 2			(SILVER)
14	09409-10309	.CLIP, SPLASH GUARD 14			
15	77550-66A00-26Y	GUARD, RR SPLASH RH (SILVER)	1		
16	77650-66A00-26Y	GUARD, RR SPLASH LH (SILVER)	1		
17	77611-77E01-26Y	.PROTECTOR, GUARD EDGE 1			RH,L:1067>812 (SILVER)
18	77611-77E01-26Y	.PROTECTOR, GUARD EDGE 1			RH,L:1067>88 (SILVER)
19	77611-77E01-26Y	.PROTECTOR, GUARD EDGE 1			LH,L:1067>1038 (SILVER)
20	09409-10309	.CLIP, SPLASH GUARD 12			
21	08316-20063	NUT, SPLASH GUARD 2			
22	77560-78E01-26Y	GUARD, FR DR SPLASH RH 1			(SILVER)
23	77660-78E01-26Y	GUARD, FR DR SPLASH LH 1			(SILVER)
24	77611-77E01-26Y	.PROTECTOR, GUARD EDGE 2			(SILVER)
25	77259-71B00	.CLIP, SPLASH GUARD 20			
26	77536-85C00-26Y	PROTECTOR, SILL SIDE (SILVER)	2		
27	77537-60A10-26Y	CLIP, PROTECTOR (SILVER) 8			
28	77534-60A10	HOLDER, PROTECTOR RH 1			
29	77544-60A10	HOLDER, PROTECTOR LH 1			
30	03141-05128	SCREW 12			
31	59918-85C00	NUT 12			

FWD



# FIG. 180

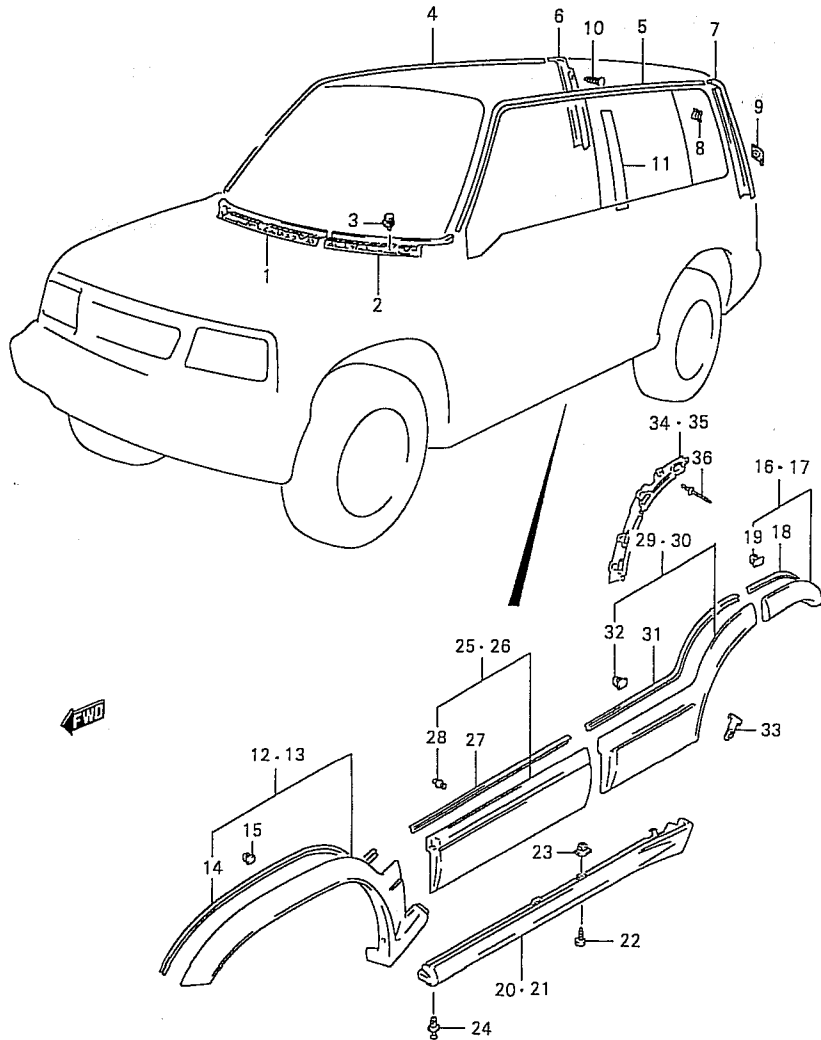


## FIG 180. GARNISH / MOLDING (5DR)

REF. NO.	PART NO.	DESCRIPTION	QTY		REMARKS
			C	V	
1	77311-60A20-5PK	GARNISH, COWL CTR RH (BLACK)		1	
2	77312-60A20-5PK	GARNISH, COWL CTR LH (BLACK)		1	
3	09409-07308-5PK	CLIP, GARNISH (BLACK)		9	
4	77571-56B00-5PK	MOLDING, ROOF DRIP SIDE RH		1	(BLACK)
5	77575-56B00-5PK	MOLDING, ROOF DRIP SIDE LH		1	(BLACK)
6	77512-56B01-5PK	GARNISH, BACK PILLAR UP RH		1	(BLACK)
7	77522-56B01-5PK	GARNISH, BACK PILLAR UP LH		1	(BLACK)
8	77513-56B00	CLIP, GARNISH		2	
9	77517-61A00	HOOK, GARNISH		8	
10	09409-10304-5ES	CLIP, GARNISH (BLACK)		6	
11	77531-56B00-5PK	PROTECTOR, SIDE SILL FR RH		1	(BLACK)
12	77541-56B00-5PK	PROTECTOR, SIDE SILL FR LH		1	(BLACK)
13	77536-56B00-5PK	PROTECTOR, SIDE SILL CTR RH		1	(BLACK)
14	77546-56B00-5PK	PROTECTOR, SIDE SILL CTR LH		1	(BLACK)
15	77532-56B01-5PK	PROTECTOR, SIDE SILL RR RH		1	(BLACK)
16	77542-56B01-5PK	PROTECTOR, SIDE SILL RR LH		1	(BLACK)
17	09409-06319	CLIP, PROTECTOR		12	
18	03141-05123	SCREW, PROTECTOR		2	
19	09148-05018	NUT, PROTECTOR		2	
20	77551-56B11-5PK	MOLDING, SIDE FR RH (BLACK)		1	JLX
21	77561-56B11-5PK	MOLDING, SIDE FR LH (BLACK)		1	JLX
22	77552-56B11-5PK	MOLDING, SIDE CTR RH (BLACK)		1	JLX
23	77562-56B11-5PK	MOLDING, SIDE CTR LH (BLACK)		1	JLX
24	77553-56B11-5PK	MOLDING, SIDE RR RH (BLACK)		1	JLX
25	77563-56B11-5PK	MOLDING, SIDE RR LH (BLACK)		1	JLX
26	77173-56B00-0CE	TAPE, CTR PILLAR UPPER (BLACK)		2	JLX



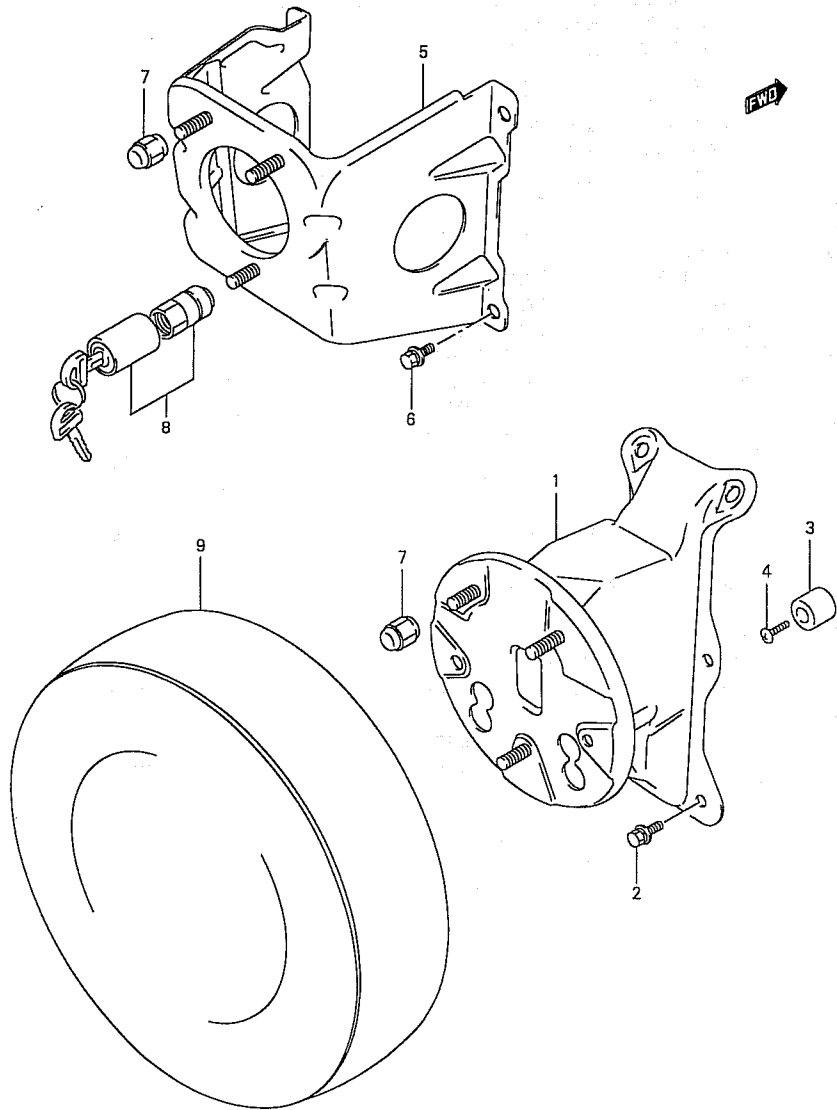
# FIG. 181



# FIG 181. GARNISH / SPLASH GUARD (5DR: SPECIAL)

REF. NO.	PART NO.	DESCRIPTION	QTY		REMARKS
			C	V	
1	77311-60A20-5PK	GARNISH, COWL CTR RH (BLACK)		1	
2	77312-60A20-5PK	GARNISH, COWL CTR LH (BLACK)		1	
3	09409-07308-5PK	CLIP, GARNISH (BLACK)		9	
4	77571-56B00-5PK	MOLDING, ROOF DRIP SIDE RH		1	(BLACK)
5	77575-56B00-5PK	MOLDING, ROOF DRIP SIDE LH		1	(BLACK)
6	77512-56B01-5PK	GARNISH, BACK PILLAR RH		1	(BLACK)
7	77522-56B01-5PK	GARNISH, BACK PILLAR LH		1	(BLACK)
8	77513-56B00	CLIP, GARNISH		2	
9	77517-61A00	HOOK, GARNISH		8	
10	09409-10304-5ES	CLIP, GARNISH (BLACK)		6	
11	77173-56B00-0CE	TAPE, CTR PILLAR UPPER (BLACK)		2	
12	77530-66A00-26Y	GUARD, FENDER SPLASH RH		1	(SILVER)
13	77630-66A00-26Y	GUARD, FENDER SPLASH LH		1	(SILVER)
14	77611-77E01-26Y	.PROTECTOR, GUARD EDGE		2	(SILVER)
15	09409-10309	.CLIP, SPLASH GUARD		14	
16	77550-58B00-26Y	EXTENSION, SIDE BODY RH		1	(SILVER)
17	77650-58B00-26Y	EXTENSION, SIDE BODY LH		1	(SILVER)
18	77611-77E01-26Y	.PROTECTOR, GUARD EDGE		2	(SILVER)
19	09409-10309	.CLIP, EXTENSION		6	
20	77541-58B00-26Y	GUARD, SIDE SILL SPLASH RH		1	(SILVER)
21	77641-58B00-26Y	GUARD, SIDE SILL SPLASH LH		1	(SILVER)
22	03141-05123	SCREW, SPLASH GUARD		4	
23	59918-85C00	NUT, SPLASH GUARD		4	
24	09409-06319	CLIP, SPLASH GUARD		12	
25	77560-77E01-26Y	GUARD, FR DR SPLASH RH		1	(SILVER)
26	77660-77E01-26Y	GUARD, FR DR SPLASH LH		1	(SILVER)
27	77611-77E01-26Y	.PROTECTOR, GUARD, EDGE		1	(SILVER)
28	77259-71B00	.CLIP, SPLASH GUARD		20	
29	77570-58B00-26Y	GUARD, RR DR SPLASH RH		1	(SILVER)
30	77670-58B00-26Y	GUARD, RR DR SPLASH LH		1	(SILVER)
31	77611-77E01-26Y	.PROTECTOR, GUARD EDGE		2	(SILVER)
32	09409-10309	.CLIP, SPLASH GUARD		12	
33	77579-58B00	CLIP, RR DR GUARD		6	
34	77572-58B00	HOLDER, RR DR GUARD RH		1	
35	77672-58B00	HOLDER, RR DR GUARD LH		1	
36	00000A01262	RIVET, HOLDER		8	

# FIG. 182

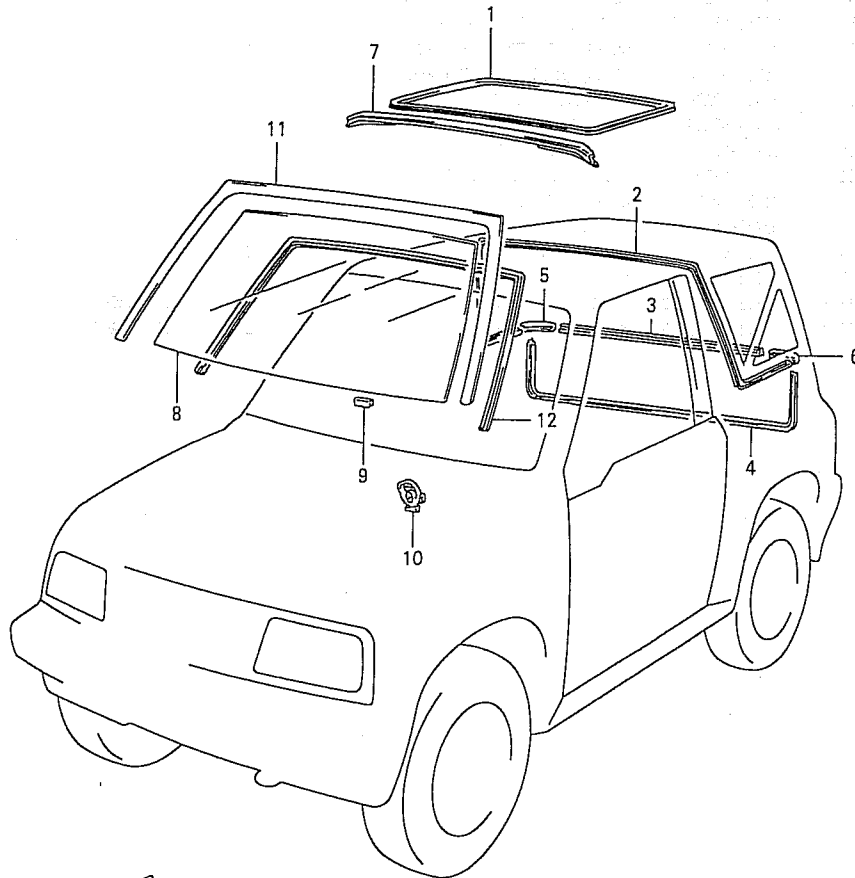


## FIG 182. TIRE CARRIER

REF. NO.	PART NO.	DESCRIPTION	QTY		REMARKS
			C	V	
1	72810-85C00	CARRIER, SPARE TIRE	1	-	
2	01580-08203	BOLT, CARRIER	6	-	
3-1	59951-85C00	CUSHION, SPARE TIRE	2	-	N/WIDE
3-2	72372-85C10	CUSHION, SPARE TIRE	2	-	W/WIDE
4	02112-06163	SCREW, CUSHION	2	-	
5	83960-86C00	CARRIER, SPARE TIRE	-	1	
6	01500-10253	BOLT, CARRIER	-	4	
7	09159-12024	NUT, SPARE TIRE	2	2	
8	83900-60820	KEY, SPARE TIRE NUT LOCK	1	1	
9	72820-85C00	COVER, SPARE TIRE	1	1	3DR:JLX-5DR

# FIG. 183

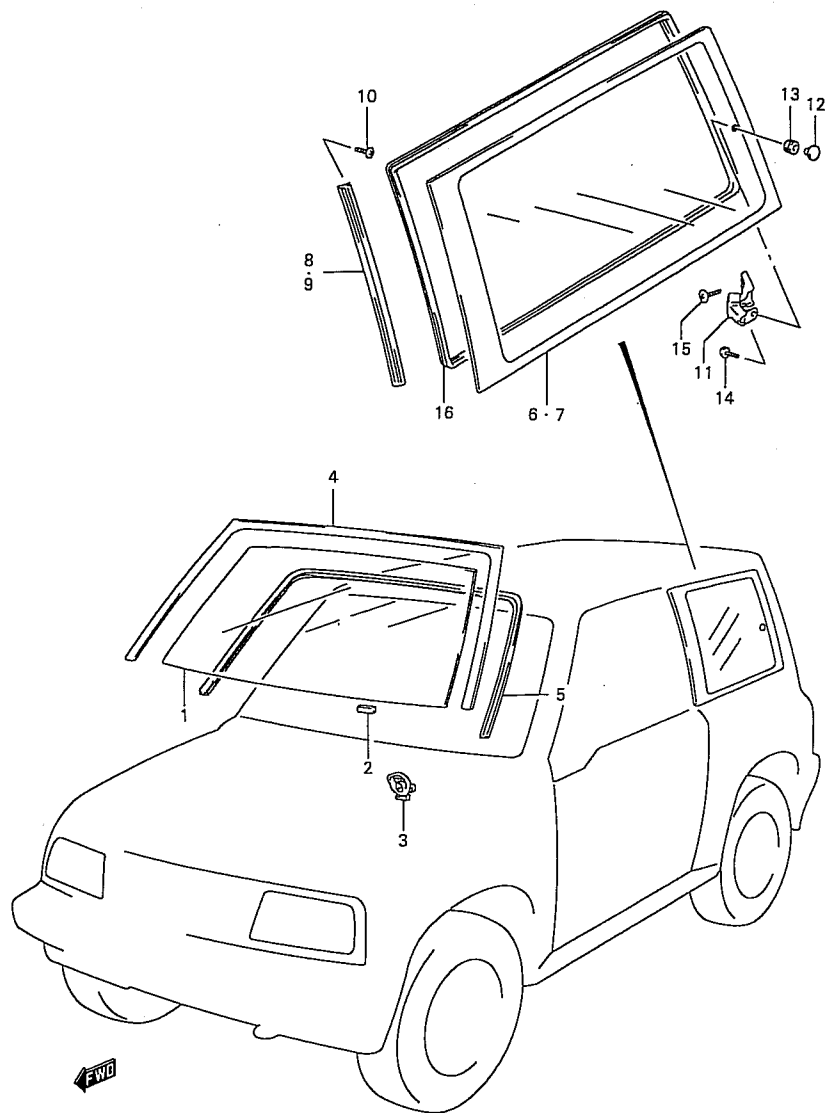
## FIG 183. WINDOW GLASS (3DR: C)



REF. NO.	PART NO.	DESCRIPTION	QTY		REMARKS
			C	V	
1	77151-64A00	WEATHERSTRIP, FR ROOF		1	
2	77161-60A00	WEATHERSTRIP, SIDE BODY		1	
3	77162-60A00	WEATHERSTRIP, RR GATE UPPER		1	
4	77165-60A11	WEATHERSTRIP, RR GATE		1	
5	77166-60A01	WEATHERSTRIP, RR GATE RH		1	
6	77167-60A01	WEATHERSTRIP, RR GATE LH		1	
7	77170-60A00	SEAL, FR ROOF		1	
8	84515-85C00	GLASS, WINDSHIELD (GREEN)		1	
9	84617-61A10	SPACER, WINDSHIELD GLASS		1	
10	84618-85C00	STOPPER, WINDSHIELD GLASS		2	
11	84611-56B00-5PK	MOLDING, WINDSHIELD (BLACK)		1	
12	84616-61A00-5PK	TRIM, WINDSHIELD (BLACK)		1	



# FIG. 184

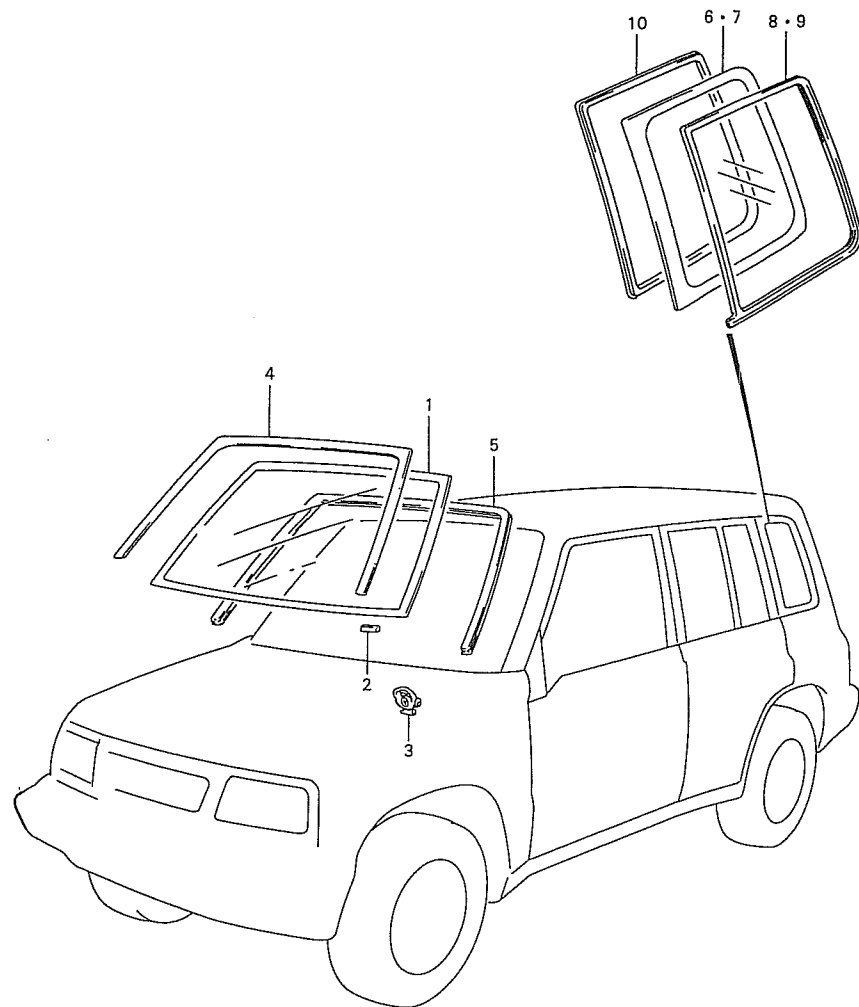


## FIG 184. WINDOW GLASS (3DR: V)

REF. NO.	PART NO.	DESCRIPTION	C	Q' TY	V	REMARKS
1	84515-85C00	GLASS, WINDSHIELD (GREEN)			1	
2	84617-61A10	SPACER, WINDSHIELD GLASS			1	
3	84618-85C00	STOPPER, WINDSHIELD GLASS			2	
4	84611-56B00-5PK	MOLDING, WINDSHIELD (BLACK)			1	
5	84616-61A00-5PK	TRIM, WINDSHIELD (BLACK)			1	
6	84561-85C10	GLASS, QTR WINDOW RH (GREEN)			1	
7	84566-85C10	GLASS, QTR WINDOW LH (GREEN)			1	
8	81411-62A00	PROTECTOR, QTR WDO HINGE RH			1	
9	81416-62A00	PROTECTOR, QTR WDO HINGE LH			1	
10	02112-06123	SCREW, HINGE BODY			4	
11	81430-61A00	LOCK, QTR WINDOW GLASS			2	
12	81451-80102	COVER, QTR WINDOW GLASS OUTER			2	
13	69275-78200	PAD, COVER			2	
14	02142-05103	SCREW, LOCK COVER			2	
15	02142-06163	SCREW, LOCK BODY			4	
16-1	84671-61A00-5PK	WEATHERSTRIP, QTR WINDOW			2	JX (BLACK)
16-2	84671-62A00-5PK	WEATHERSTRIP, QTR WINDOW			2	JLX (BLACK)

# FIG. 185

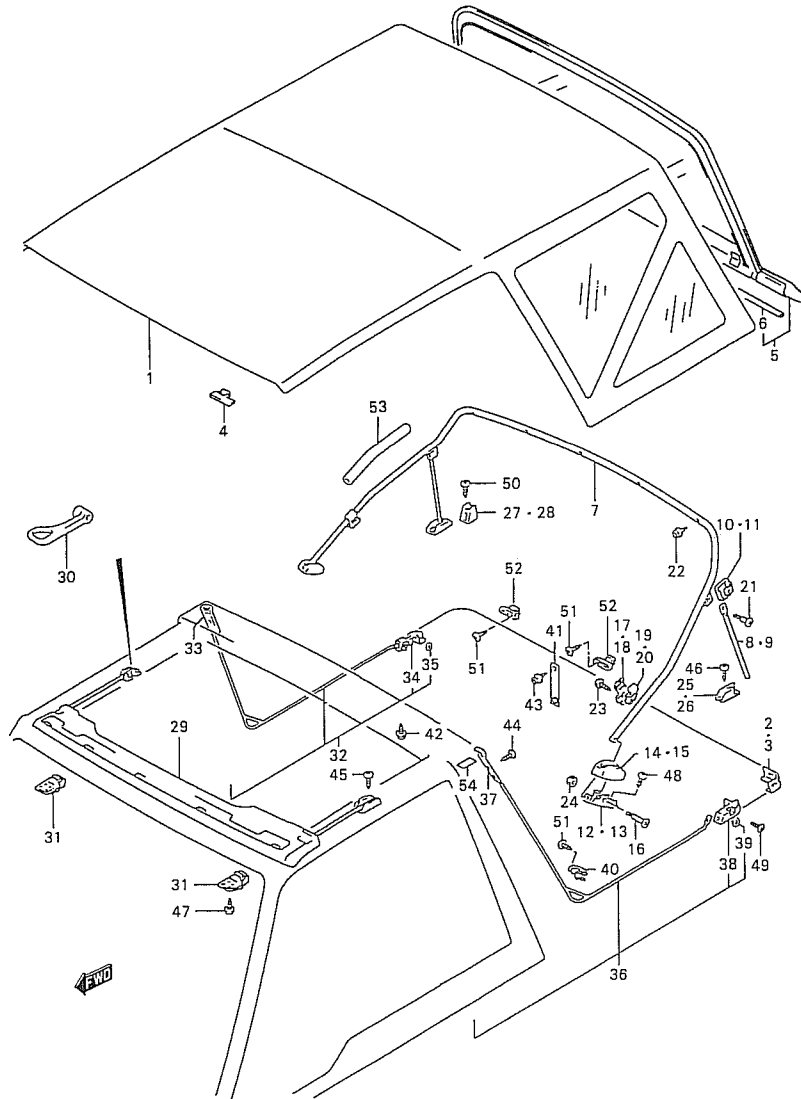
## FIG 185. WINDOW GLASS (5DR)



REF. NO.	PART NO.	DESCRIPTION	QTY		REMARKS
			C	V	
1	84515-85C00	GLASS, WINDSHIELD (GREEN)		1	
2	84617-61A10	SPACER, WINDSHIELD GLASS		1	
3	84618-85C00	STOPPER, WINDSHIELD GLASS		2	
4	84611-56B00-5PK	MOLDING, WINDSHIELD (BLACK)		1	
5	84616-61A00-5PK	TRIM, WINDSHIELD (BLACK)		1	
6	84561-86C00	GLASS, QTR WINDOW RH (GREEN)		1	
7	84566-86C00	GLASS, QTR WINDOW LH (GREEN)		1	
8	84691-56B00-5PK	MOLDING, QTR WINDOW RH (BLACK)		1	
9	84692-56B00-5PK	MOLDING, QTR WINDOW LH (BLACK)		1	
10	84695-56B00-5PK	TRIM, QTR WINDOW OPENING		2	JX (BLACK)



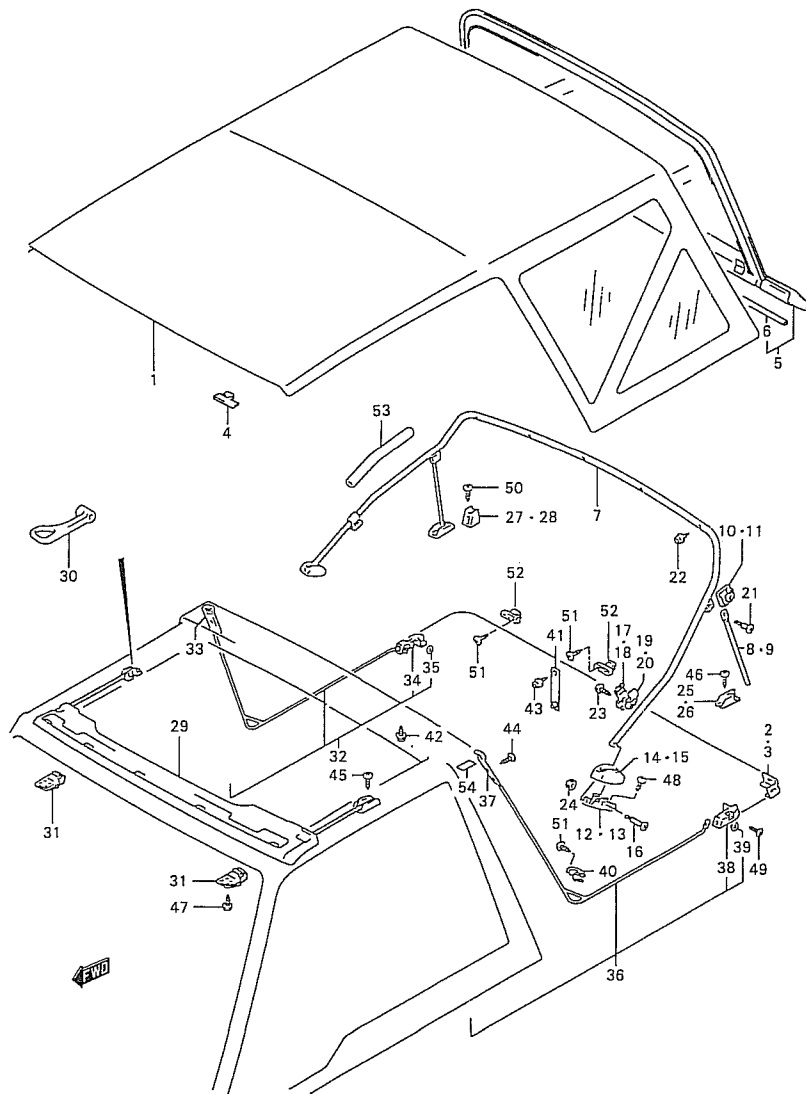
# FIG. 186



# FIG 186. DECK TOP

REF. NO.	PART NO.	DESCRIPTION	Q' TY		REMARKS
			C	V	
0000	0000A01215	WHITE CANVAS, ROOF KIT		1	
0000	0000A01216	BLACK CANVAS, ROOF KIT		1	
1-1	78310-60A52-PRB	TOP ASSY, DECK (BLACK)		1	
1-2	78310-60A52-PRW	TOP ASSY, DECK (WHITE)		1	
2	78381-60A00	.HOOK, CORNER RH		1	
3	78382-60A00	.HOOK, CORNER LH		1	
4	78389-60A00	.HOOK, FRONT		5	
5-1	78320-60A52-PRB	WINDOW, CANVAS RR (BLACK)		1	
5-2	78320-60A52-PRW	WINDOW, CANVAS RR (WHITE)		1	
6	78399-60A00	.PIPE, RR WINDOW		1	
7	78410-60A01	FRAME, TOPBOW		1	
8	78421-60A02	STAY, TOPBOW RH		1	
9	78422-60A02	STAY, TOPBOW LH		1	
10	78441-60A00	COVER, TOPBOW STAY RH		1	
11	78451-60A00	COVER, TOPBOW STAY LH		1	
12	78442-60A02	BRACKET, TOPBOW RH		1	
13	78452-60A02	BRACKET, TOPBOW LH		1	
14	78443-60A01	COVER, TOPBOW BRACKET RH		1	
15	78453-60A01	COVER, TOPBOW BRACKET LH		1	
16	78444-60A01	SCREW, TOPBOW		2	
17	78446-60A00	HOLDER, TOPBOW STAY NO.1 RH		1	
18	78456-60A00	HOLDER, TOPBOW STAY NO.1 LH		1	
19	78447-60A00	HOLDER, TOPBOW STAY NO.2 RH		1	
20	78457-60A00	HOLDER, TOPBOW STAY NO.2 LH		1	
21	09139-05037	SCREW, TOPBOW STAY		2	
22	09410-00074	MALE, TOPBOW		5	
23	03511-05123	SCREW, STAY HOLDER		2	
24	08316-10063	NUT, TOPBOW		2	
25	78461-60A00	STOPPER, TOPBOW STAY RH		1	
26	78462-60A00	STOPPER, TOPBOW STAY LH		1	
27	78471-60A00	STOPPER, TOPBOW RH		1	
28	78472-60A00	STOPPER, TOPBOW LH		1	
29	78510-60A02	FRAME, TOPBOW FR		1	
30	78518-60A01	.ROD, TENSION		2	
31	78520-60A00	LOCK, FRONT FRAME		2	
32	78530-60A00	FRAME, TOPBOW SIDE RH		1	
33	78532-60A00	.BRKT, FRAME UPPER RH		1	
34	78533-60A00	.BRKT, REAR RH		1	
35	78534-60A00	.NUT, SIDE FRAME		2	
36	78540-60A00	FRAME, TOPBOW SIDE LH		1	
37	78542-60A00	.BRKT, FRAME UPPER LH		1	

# FIG. 186

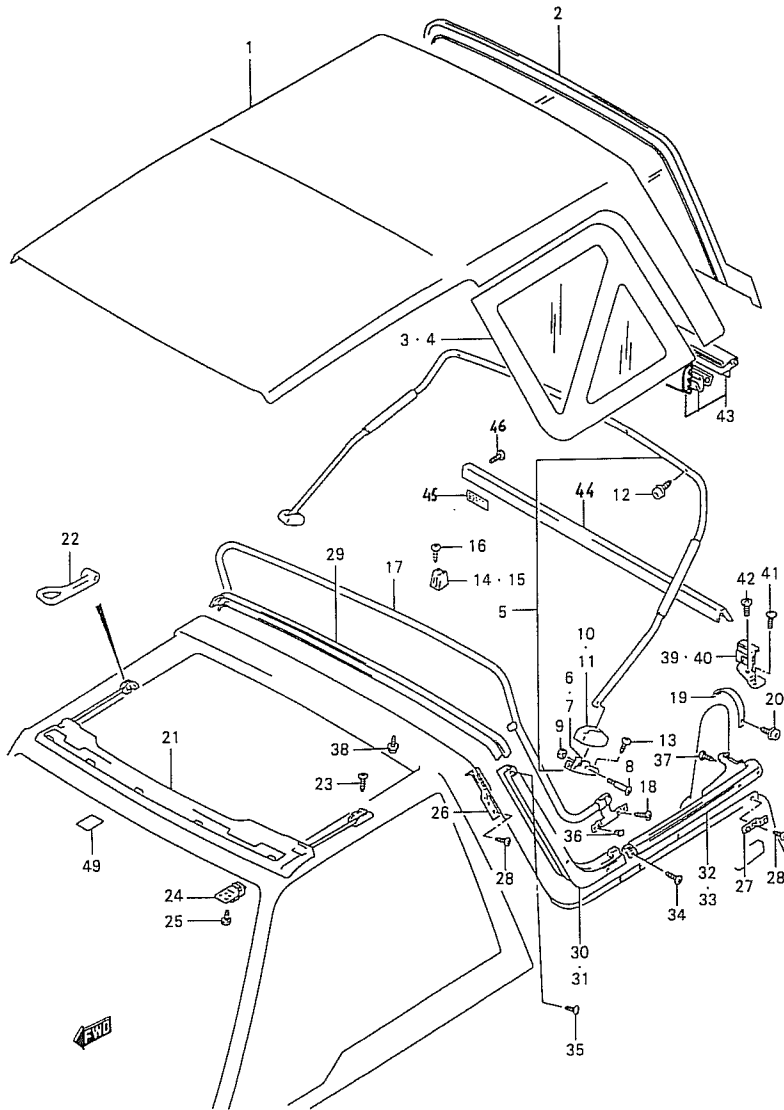


## FIG 186. DECK TOP

REF. NO.	PART NO.	DESCRIPTION	QTY		REMARKS
			C	V	
38	78543-60A00	.BRKT, REAR LH		1	
39	78534-60A00	.NUT, SIDE FRAME		2	
40	78554-60A00	HOLDER, CANVAS		2	
41	78553-85C00-5ES	BAND, TOPBOW		1	
42	09410-00074	MALE, CANVAS		2	
43	09410-00075	MALE, REAR GATE		1	
44	02112-06123	SCREW, TOPBOW SIDE UPPER		4	
45	02112-06163	SCREW, TOPBOW FR FRAME		4	
46	02112-06203	SCREW, STOPPER		4	
47	02142-06163	SCREW, LOCK		4	
48	09139-06094	SCREW, BRACKET		4	
49	09139-06094	SCREW, TOPBOW SIDE LOWER		2	
50	03141-05203	SCREW, TOPBOW STOPPER		4	
51	03541-05123	SCREW, HOLDER		10	
52	78555-60A00	HOLDER, REAR WINDOW CTR		3	
53	78432-60A00	PROTECTOR, TOP BOW SIDE		2	
54	84761-50X50	PROTECTOR, CTR PILLAR		2	

CUT AS REQUIRED  
(140X190)

# FIG. 187

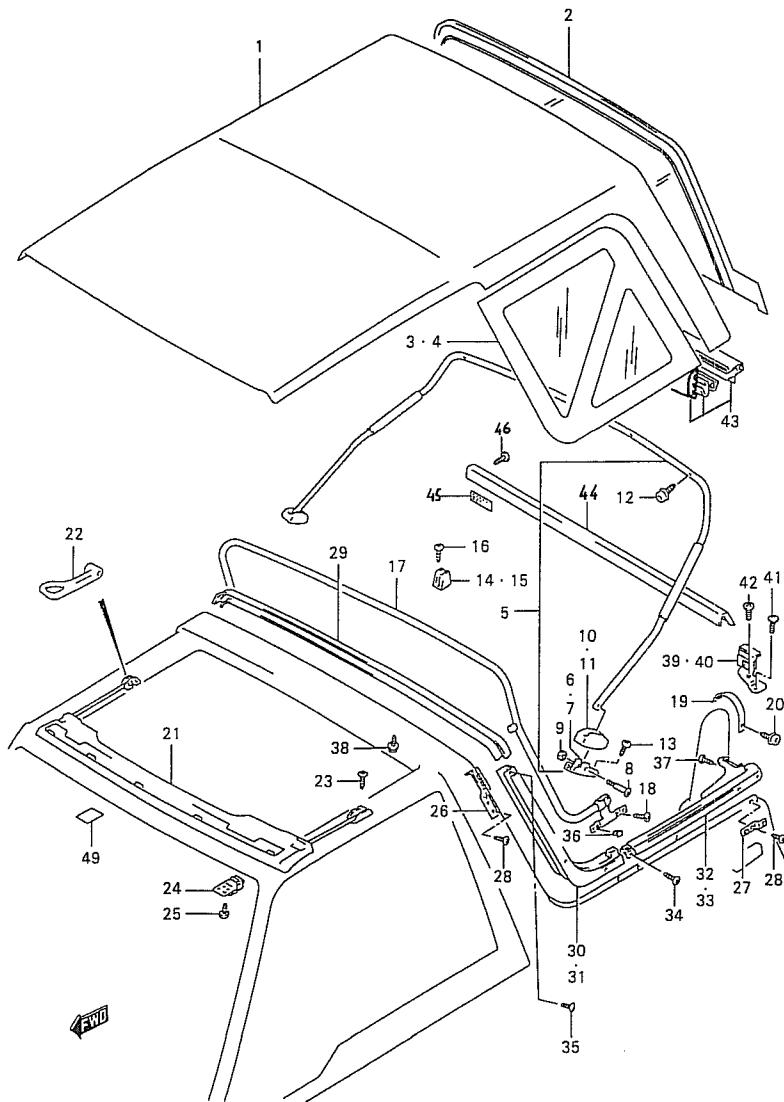


## FIG 187. FAST TOP

REF. NO.	PART NO.	DESCRIPTION	QTY		REMARKS
			C	V	
0	0000A01218	BLACK CANVAS, ROOF KIT		1	
0	0000A01219	WHITE CANVAS, ROOF KIT		1	
1-1	78310-85C20-BEB	TOP ASSY, DECK (BLACK)		1	
1-2	78310-85C20-BEW	TOP ASSY, DECK (WHITE)		1	
2-1	78310-85CA0-BEB	WINDOW, CANVAS REAR (BLACK)		1	
2-2	78310-85CA0-BEW	WINDOW, CANVAS REAR (WHITE)		1	
3-1	78310-85CB0-BEB	WINDOW, SIDE RH (BLACK)		1	
3-2	78310-85CB0-BEW	WINDOW, SIDE RH (WHITE)		1	
4-1	78310-85CC0-BEB	WINDOW, SIDE LH (BLACK)		1	
4-2	78340-85CC0-BEW	WINDOW, SIDE LH (WHITE)		1	
5	78411-85C00	FRAME ASSY, TOPBOW RR		1	
6	78442-60A02	.BRACKET, TOPBOW RH		1	
7	78452-60A02	.BRACKET, TOPBOW LH		1	
8	78444-60A01	.SCREW, TOPBOW		2	
9	08316-10063	.NUT, TOPBOW		2	
10	78443-60A01	.COVER, TOPBOW BRACKET RH		1	
11	78453-60A01	.COVER, TOPBOW BRACKET LH		1	
12	09410-00074	.MALE, TOPBOW		5	
13	02142-06163	SCREW, BRACKET		4	
14	78471-60A00	STOPPER, TOPBOW RR-3P RH		1	
15	78472-60A00	STOPPER, TOPBOW RR-3P LH		1	
16	03141-05203	SCREW, TOPBOW STOPPER		4	
17	78400-85CF0	FRAME ASSY, TOPBOW CTR		1	
18	03141-05203	SCREW, BRACKET TOPBOW CTR		4	
19	78400-85CM0	BAND, TOPBOW CTR		1	
20	09410-00075	MALE, BAND		1	
21	78510-85C10	FRAME, TOPBOW FR		1	
22	78518-60A01	.ROD, TENSION		2	
23	02112-06163	SCREW, FR FRAME		4	
24	78520-60A00	LOCK, FR FRAME		2	
25	02142-06163	SCREW, LOCK		4	
26	78567-85C00	BRACKET, GARNISH UPPER		2	
27	78565-62A00	BRACKET, GARNISH RR		2	
28	01550-06123	SCREW, BRACKET		6	
29	78531-62A00	GARNISH, JOINT		1	
30	78532-62A00	GARNISH, PILLAR RH		1	
31	78542-62A00	GARNISH, PILLAR LH		1	
32	78533-62A00	GARNISH, QTR RH		1	
33	78543-62A00	GARNISH, QTR LH		1	
34	03141-05203	SCREW, GARNISH		13	
35	03521-04123	SCREW, GARNISH UPPER		2	



# FIG. 187

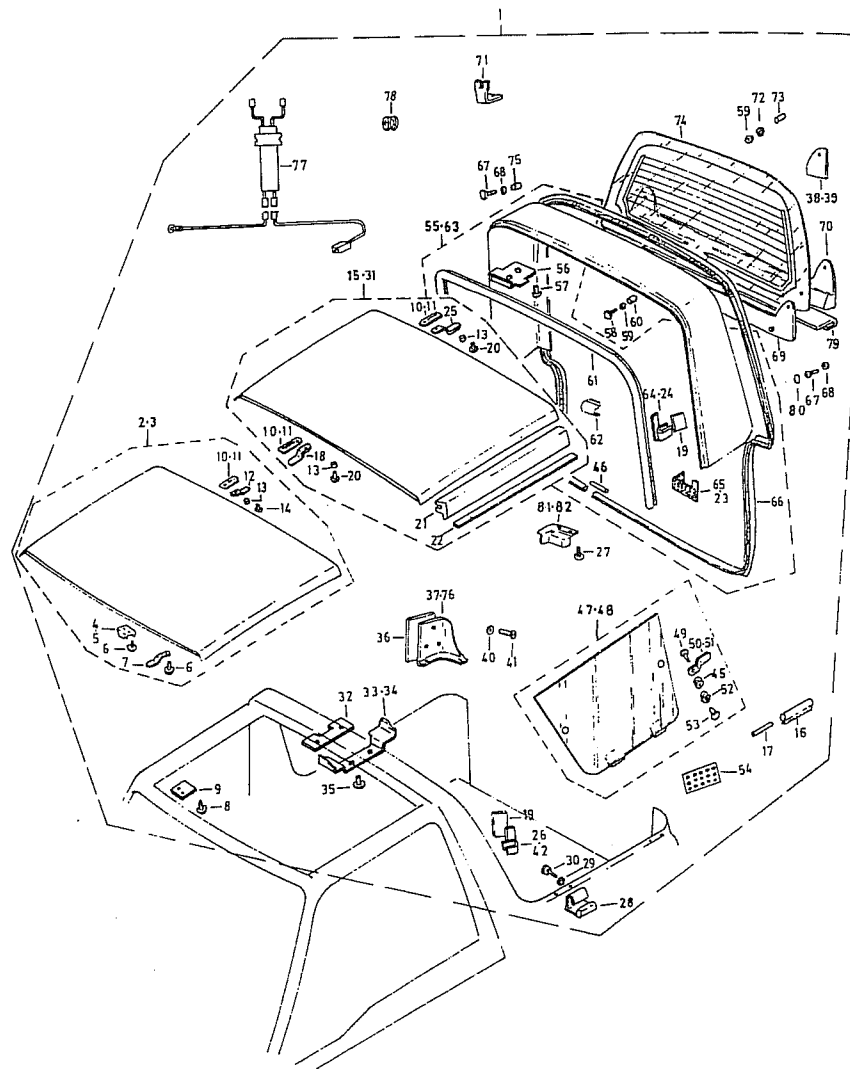


## FIG 187. FAST TOP

REF. NO.	PART NO.	DESCRIPTION	Q' TY		REMARKS
			C	V	
36	09148-04035	NUT, GARNISH		15	
37	09409-04304	CLIP, QTR GARNISH		6	
38	09410-00075	MALE, CANVAS		2	
39	78400-85CG1	BRACKET, RR WINDOW LOWER RH		1	
40	78400-85CH1	BRACKET, RR WINDOW LOWER LH		1	
41	01550-06123	SCREW, BRACKET		2	
42	02142-06203	SCREW, BRACKET		2	
43	78400-85CF0	STAY, RR WINDOW LOWER		1	
44	78561-62A00	GARNISH, RR GATE FILLER		1	
45	78400-85CJ0	.FASTENER, RR GATE FILLER		3	
46	01500-06163	SCREW, RR GATE FILLER		2	
47	84761-50X50	PROTECTOR, TOPBOW FR FRAME		3	

CUT AS REQUIRED  
(140X190)

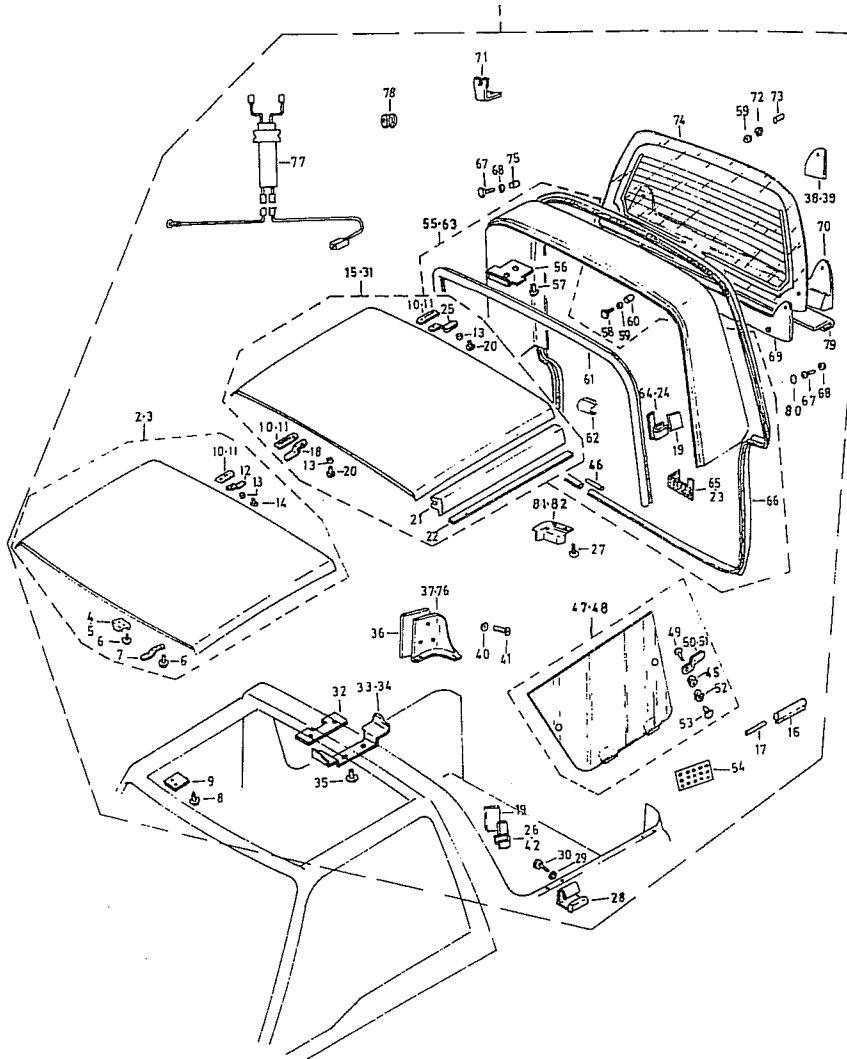
# FIG. 187A



# FIG 187A. HARD TOP

REF. NO.	PART NO.	DESCRIPTION	QTY		REMARKS
			C	V	
0	CS2380-KIT	HARD TOP KIT		1	WHITE
0	CS2381-KIT	HARD TOP KIT		1	BLACK
1-1	99000-990YB-200	ROOF KIT ASSY		1	BLACK
1-2	99000-990YB-230	ROOF KIT ASSY		1	WHITE
2	99000-990YB-E52	ROOF ASSY, FRONT		1	BLACK
3	99000-990YB-E53	ROOF ASSY, FRONT		1	WHITE
4	99000-990YB-E56	LOCK HOOK LH		1	
5	99000-990YB-E55	LOCK HOOK RH		1	
6	99000-990YB-Y74	SCREW		8	
7	99000-990YB-E48	HOOK PLATE		2	
8	99000-990YB-Y51	SCREW		4	
9	99000-990YB-E63	SPACER		4	
10	99000-990YB-E50	SPRING PLATE LH		3	
11	99000-990YB-E49	SPRING PLATE RH		3	
12	99000-990YB-E66	REAR LOCK PLATE		2	
13	99000-990YB-E54	SPACER		6	
14	99000-990YB-Y73	SCREW		2	
15	99000-990YB-E65	REAR ROOF ASSY		1	BLACK
16	99000-990YB-E89	BOX RUBBER TERMINAL		2	
17	99000-990YB-E90	BOX RUB.PROFILE SHIM		2	
18	99000-990YB-E51	REAR ROOF LOCK PLATE		2	
19	99000-990YB-E97	HOOK SHIM		4	
20	99000-990YB-Y73	SCREW		4	
21	99000-990YB-E67	RUBBER PROFILE		2	
22	99000-990YB-E68	RUBBER PROFILE		2	
23	99000-990YB-E98	INNER VENT. GRILLE RH		1	
24	99000-990YB-E75	GLASS LOCK HOOK RH		1	
25	99000-990YB-E66	REAR LOCK PLATE		2	
26	99000-990YB-E93	GLASS HOOK RH		1	
27	99000-990YB-Y77	SCREW		4	
28	99000-990YB-E95	SIDE GLASS BRACKET		4	
29	99000-990YB-Y79	TOOTHED WASHER		4	
30	99000-990YB-Y78	SCREW		4	
31	99000-990YB-E64	ROOF,REAR ASSY		1	BLACK
32	99000-990YB-E62	RUBBER GASKET		2	
33	99000-990YB-E59	LOCKS BASE LH		1	
34	99000-990YB-E58	LOCKS BASE RH		1	
35	99000-990YB-Y75	SCREW		4	
36	99000-990YB-E88	BRACKET RUBBER GASKET		2	
37	99000-990YB-E86	REAR BOW BRACKET RH		1	
38	99000-990YB-F10	ADHESIVE COVER LH		1	

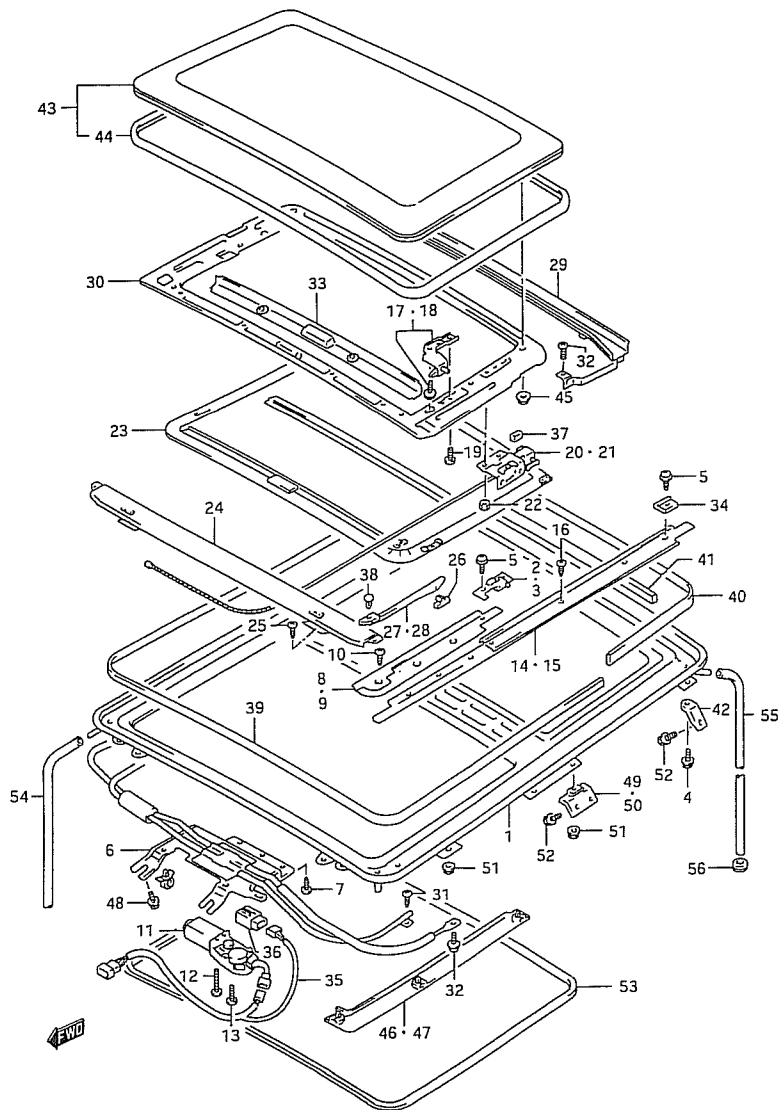
# FIG. 187A



## FIG 187A. HARD TOP

REF. NO.	PART NO.	DESCRIPTION	QTY		REMARKS
			C	V	
39	99000-990YB-F09	ADHESIVE COVER RH		1	
40	99000-990YB-Y82	SPRING WASHER		6	
41	99000-990YB-Y81	SCREW		6	
42	99000-990YB-E94	GLASS HOOK LH		1	
45	99000-990YB-E84	SPACER		4	
46	99000-990YB-E90	REAR DOOR RUBBER SHIM		1	
47	99000-990YB-E78	SIDE GLASS LH		1	
48	99000-990YB-E77	SIDE GLASS RH		1	
49	99000-990YB-E83	SCREW		4	
50	99000-990YB-E81	FRONT GLASS PLATE		2	
51	99000-990YB-E82	REAR GLASS PLATE		2	
52	99000-990YB-E80	BUSH		4	
53	99000-990YB-E79	SEALING WASHER		4	
54	99000-990YB-F12	AUTOADHESIVE FILM		15	
55	99000-990YB-E69	REAR BOW ASSY		1	BLACK
56	99000-990YB-E74	REAR ROOF LOCK BASE		2	
57	99000-990YB-Y76	SCREW		4	
58	99000-990YB-Y85	SCREW		1	
59	99000-990YB-Y86	WASHER		2	
60	99000-990YB-F08	SPACER		1	
61	99000-990YB-E71	BOW RUBBER PROFILE		1	
62	99000-990YB-E47	RUBBER GASKET		2	
63	99000-990YB-E70	REAR BOW ASSY		1	WHITE
64	99000-990YB-E76	REAR LOCK HOOK		1	GLASS LH
65	99000-990YB-E99	INNER VENT.GRILLE LH		1	
66	99000-990YB-F06	REAR DOOR RUBBER PROFILE		1	
67	99000-990YB-Y84	SCREW		8	
68	99000-990YB-Y24	SPRING WASHER		8	
69	99000-990YB-F01	REAR GLASS IN.MOLDING		1	
70	99000-990YB-F02	REAR GLASS OUT.MOLDING		1	
71	99000-990YB-E61	ROOF MOVING WRENCH		1	
72	99000-990YB-Y27	NUT		1	
73	99000-990YB-Y26	PLUG		1	
74	99000-990YB-F04	REAR GLASS		1	
75	99000-990YB-F07	SPACER		2	
76	99000-990YB-E87	REAR BOW BRACKET LH		1	
77	36845C60A00	HEATER BACKLIGHT WIRING		1	
78	09308A08001	CABLE GROMMET		1	
79	99000-990YB-F11	ADHESIVE RUBBER PLATE		1	
80	99000-990YB-F14	AUTOADHESIVE FILM		6	
81	99000-990YB-E73	VENTILATION DUCT LH		1	
82	99000-990YB-E72	VENTILATION DUCT RH		1	

# FIG. 188

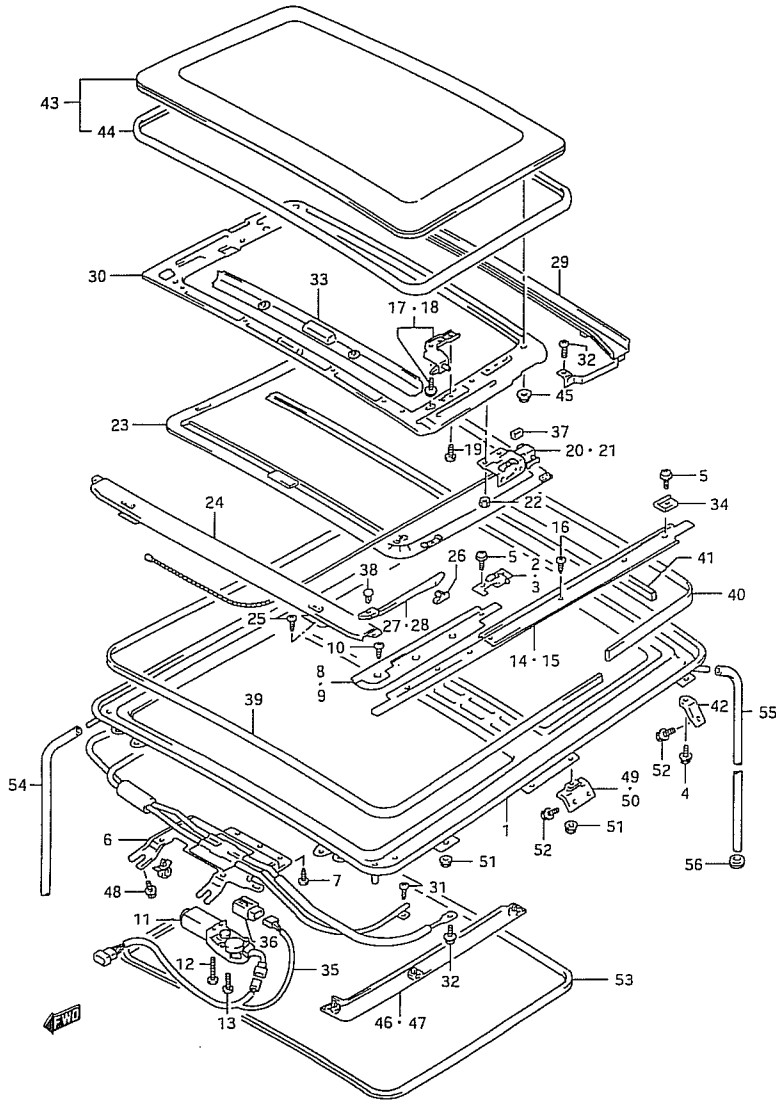


## FIG 188. SLIDING ROOF (W/SUN ROOF)

REF. NO.	PART NO.	DESCRIPTION	C	Q' TY	V	REMARKS
1	78711-56B00	FRAME, SLIDING ROOF			1	
2	78712-56B00	PLATE, SET RH			1	
3	78762-56B00	PLATE, SET LH			1	
4	01550-06123	SCREW			2	
5	03212-04123	SCREW			6	
6	78713-56B00	BRACKET, MOTOR			1	
7	03112-04083	SCREW			3	
8	78714-56B00	COVER, GUIDE RAIL RH			1	
9	78764-56B00	COVER, GUIDE RAIL LH			1	
10	03222-04083	SCREW			6	
11	78718-56B00	MOTOR, SLIDING ROOF			1	
12	02112-05453	SCREW			1	
13	02112-05206	SCREW			2	
14	78715-56B00	RAIL, SLIDING GUIDE RH			1	
15	78765-56B00	RAIL, SLIDING GUIDE LH			1	
16	03112-04083	SCREW			4	
17	78716-56B00	GUIDE, FRONT RH			1	
18	78766-56B00	GUIDE, FRONT LH			1	
19	02112-05126	SCREW			4	
20	78717-56B00	GUIDE, REAR RH			1	
21	78767-56B00	GUIDE, REAR LH			1	
22	08316-20063	NUT			4	
23-1	78719-56B00-6NG	SHADE, SLIDING ROOF (GRAY)			1	MY97,
23-2	78719-56B00-6NW	SHADE, SLIDING ROOF (GRAY)			1	MY98,
24	78721-56B00	DEFLECTOR, SLIDING ROOF			1	
25	03242-04083	SCREW			4	
26	78722-56B00	CONNECTOR, LINK			2	
27	78723-56B00	LINK, DEFLECTOR RH			1	
28	78773-56B00	LINK, DEFLECTOR LH			1	
29	78725-56B00	RAIL, DRIP			1	
30	78726-56B00	PANEL, FRONT LOWER			1	
31	03141-04083	SCREW			2	
32	03211-04083	SCREW			4	
33	78727-56B00	COVER, FRONT LOWER PANEL			1	
34	78728-56B00	STOPPER, GLASS SLIDING			2	
35	78729-56B00	HARNESS, SLIDING ROOF			1	
36	78731-56B00	RELAY, SLIDING ROOF			1	
37	78732-56B00	STOPPER, SUNSHADE			2	
38	78733-56B00	BUSH, GUIDE			2	
39	78734-56B00	SEAL, FRONT NO.1			1	

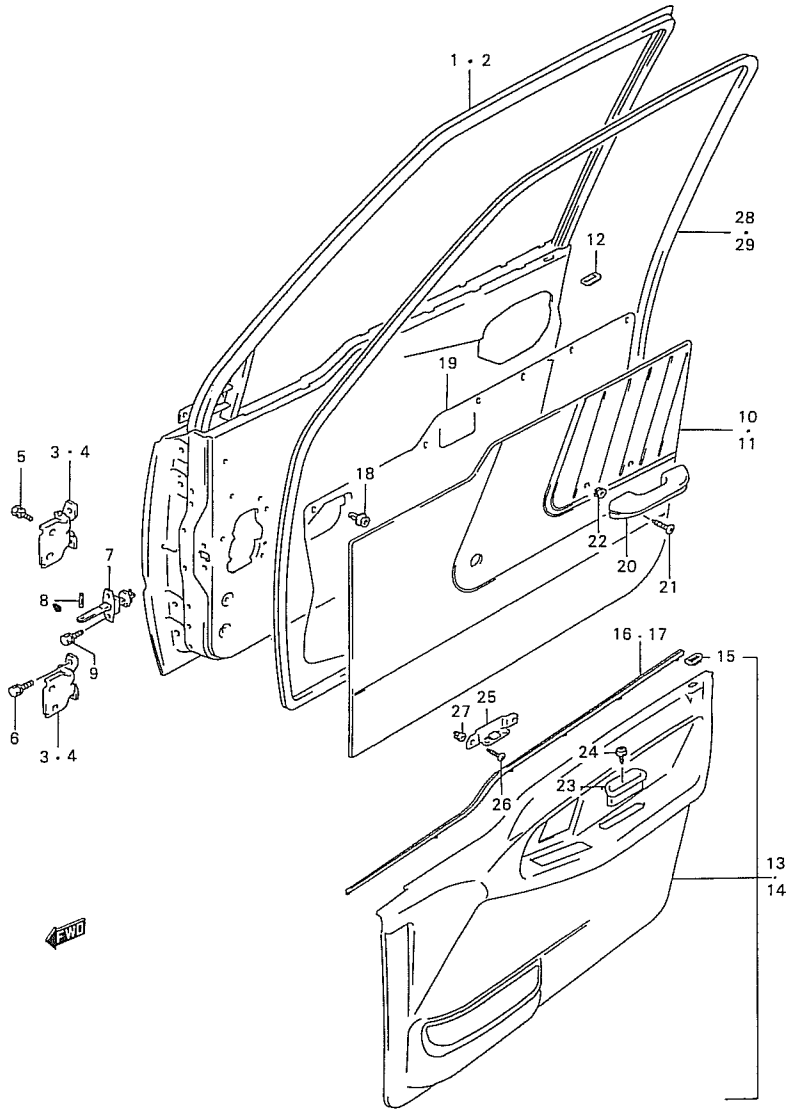
# FIG. 188

# FIG 188. SLIDING ROOF (W/SUN ROOF)



REF. NO.	PART NO.	DESCRIPTION	QTY		REMARKS
			C	V	
40	78736-56B00	SEAL, REAR NO.2		1	
41	78736-56B00	SEAL, REAR NO.1		1	
42	78738-56B00	BRACKET, SLIDING ROOF MOUNTING		2	
43	78740-56B00	GLASS, SLIDING ROOF		1	
44	78742-56B00	.WEATHERSTRIP, SLIDING ROOF		1	
45	78743-56B00	NUT, GLASS		6	
46	78791-56B00	COVER, DECORATION RH		1	
47	78792-56B00	COVER, DECORATION LH		1	
48	09115-06001	BOLT		2	
49	78811-56B00	BRACKET, SLIDING ROOF MOUNTING		1	
50	78861-56B00	BRACKET, SLIDING ROOF MOUNTING		1	
51	09159-06076	NUT		4	
52	01550-06123	BOLT		6	
53-1	78820-56B00-6NG	TRIM, SLIDING ROOF OPEN (GRAY)		1	MY97,
53-2	78820-56B00-6NW	TRIM, SLIDING ROOF OPEN (GRAY)		1	MY98,
54	78832-56B00	HOSE, FRONT DRAIN		2	L:1800>1425
55	78832-56B00	HOSE, REAR DRAIN		2	
56	09308-13001	GROMMET		2	

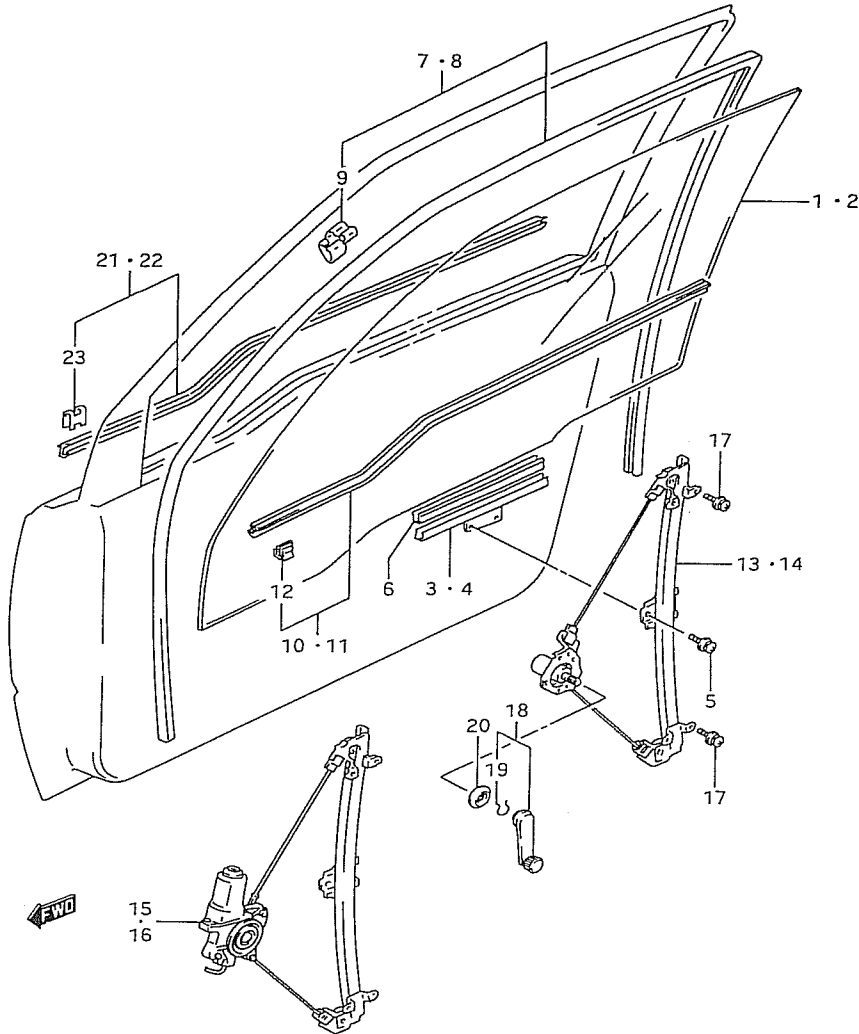
# FIG. 189



## FIG 189. 3DR FR DR PANEL

REF. NO.	PART NO.	DESCRIPTION	Q' TY		REMARKS
			C	V	
1-1	68001-66A11	PANEL ASSY, FRONT DOOR RH	1	1	
1-2	68001-67A21	PANEL ASSY, FRONT DOOR RH	1	1	SPECIAL
2-1	68002-66A11	PANEL ASSY, FRONT DOOR LH	1	1	
2-2	68002-67A21	PANEL ASSY, FRONT DOOR LH	1	1	SPECIAL
3	69310-85C00	HINGE, DOOR NO.1	2	2	UPPER RH, LOWER LH
4	69340-85C00	HINGE, DOOR NO.2	2	2	UPPER LH, LOWER RH
5	09118-08156	BOLT, PILLAR (8X25)	8	8	
6	01500-08203	BOLT, DOOR	8	8	
7	81810-56B01	STOP, DOOR OPEN	2	2	
8	81831-70B00	PIN, STOP BODY	2	2	
9	01500-06163	BOLT, STOP	4	4	
10-1	83710-60A10-5FE	TRIM, DOOR RH (BLACK)	1	1	MY97, JX
10-2	83710-60A10-T02	TRIM, DOOR RH (GRAY)	1	1	MY98, JX
11-1	83730-60A10-5FE	TRIM, DOOR LH (BLACK)	1	1	MY97, JX
11-2	83730-60A10-T02	TRIM, DOOR LH (GRAY)	1	1	MY98, JX
12-1	83795-60A00	CAP, LOCK KNOB (BLACK)	2	2	MY97, JX
12-2	83795-60A00-T01	CAP, LOCK KNOB (GRAY)	2	2	MY98, JX
13-1	83701-68A10-5FE	TRIM, DOOR RH (BLACK)	1	1	MY97, JLX
13-2	83701-68A01-H8R	TRIM, DOOR RH (GRAY/GREEN)	1	1	MY98, JLX
14-1	83702-68A10-5FE	TRIM, DOOR LH (BLACK)	1	1	MY97, JLX
14-2	83702-68A01-H8R	TRIM, DOOR LH (GRAY/GREEN)	1	1	MY98, JLX
15-1	83723-61A00-5ES	.CAP, LOCK KNOB (BLACK)	2	2	MY97, JLX
15-2	83723-61A00-T01	.CAP, LOCK KNOB (GRAY)	2	2	MY98, JLX
16	83721-61A00	.WEATHERSTRIP, INNER RH	1	1	JLX
17	83741-61A00	.WEATHERSTRIP, INNER LH	1	1	JLX
18-1	09409-08320	CLIP, TRIM	30	30	JX
18-2	09409-08320	CLIP, TRIM	18	18	JLX
19	83911-60X50	COVER, DOOR SEALING (600X1200)	2	2	CUT AS REQUIRED
20-1	84450-82000-5ES	ARMREST, DOOR (BLACK)	2	2	MY97, JX
20-2	84450-82000-T01	ARMREST, DOOR (GRAY)	2	2	MY98, JX
21	03241-06253	SCREW, ARMREST	4	4	JX
22	59981-85C00	NUT, ARMREST	4	4	JX
23-1	84481-68A00-5ES	CASE, PULL HANDLE (BLACK)	2	2	MY97, JLX
23-2	84481-68A00-T01	CASE, PULL HANDLE (GRAY)	2	2	MY98, JLX
24	03141-04123	SCREW, CASE	2	2	JLX
25	84482-68A00	BRACKET, PULL HANDLE	2	2	JLX
26	03241-16163	SCREW, BRACKET	4	4	JLX
27	59981-85C00	NUT, BRACKET	4	4	JLX
28	84641-85C00	WEATHERSTRIP, DR OPENING RH	1	1	
29	84651-85C00	WEATHERSTRIP, DR OPENING LH	1	1	

# FIG. 190

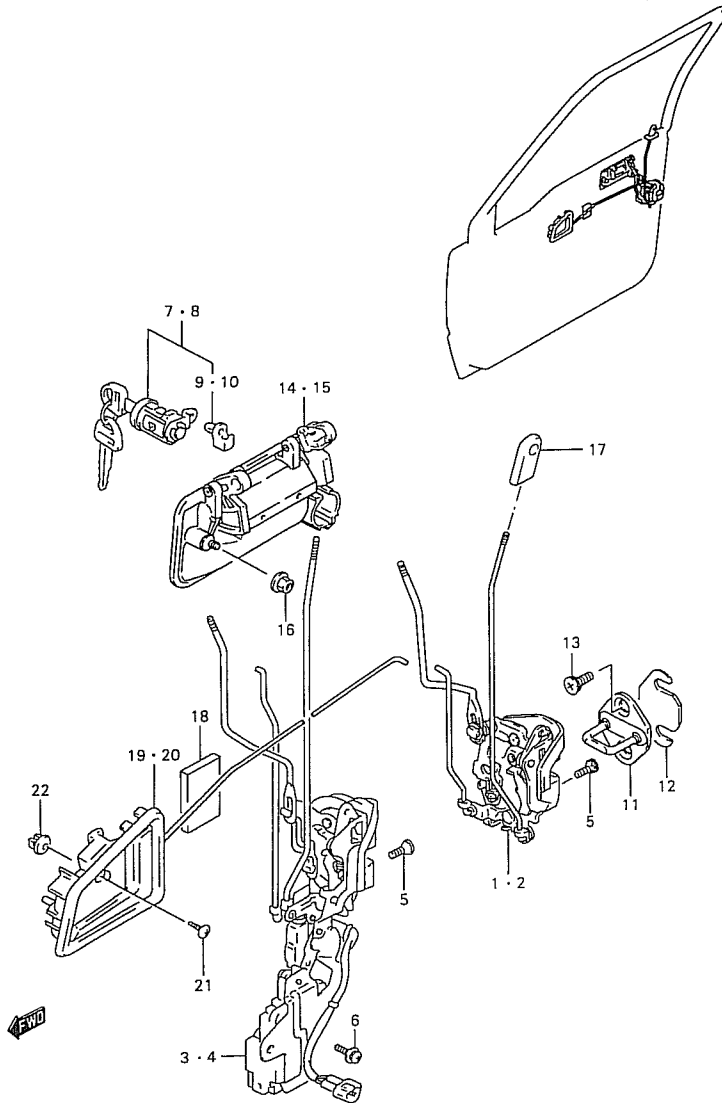


## FIG 190. 3DR FR DR REGULATOR

REF. NO.	PART NO.	DESCRIPTION	QTY		REMARKS
			C	V	
1	84531-85C00	GLASS, WINDOW RH (GREEN)	1	1	
2	84536-85C00	GLASS, WINDOW LH (GREEN)	1	1	
3	83610-85C00	CHANNEL, GLASS BOTTOM RH	1	1	
4	83620-85C00	CHANNEL, GLASS BOTTOM LH	1	1	
5	02112-76123	SCREW, BOTTOM	4	4	
6	83691-60A00	RUBBER, BOTTOM CHANNEL	2	2	
7	83660-60A00	RUN, DOOR GLASS RH	1	1	
8	83680-60A00	RUN, DOOR GLASS LH	1	1	
9	83662-60A00	.GUIDE, GLASS	2	2	
10	83850-60A00	WEATHERSTRIP, INNER RH	1	1	JX
11	83860-60A00	WEATHERSTRIP, INNER LH	1	1	JX
12	83852-60A00	.CLIP, WEATHERSTRIP	14	14	JX
13	83410-60A00	REGULATOR ASSY, RH	1	1	JX
14	83440A60A00	REGULATOR ASSY, LH	1	1	JX
15	83401-62A00	REGULATOR ASSY, RH	1	1	JLX
16	83402-62A00	REGULATOR ASSY, LH	1	1	JLX
17	02112-76123	SCREW, REGULATOR	14	14	
18-1	82960-82001-5ES	HANDLE, REGULATOR (BLACK)	2	2	MY97, JX
18-2	82960-82100-T01	HANDLE, REGULATOR (GRAY)	2	2	MY98, JX
19	78463-78000	.SNAP, HANDLE	2	2	JX
20-1	82972-82101-5ES	ESCUTCHEON, HANDLE (BLACK)	2	2	MY97, JX
20-2	82972-82100-T01	ESCUTCHEON, HANDLE (GRAY)	2	2	MY98, JX
21	83810-65A00	WEATHERSTRIP, OUT RH	1	1	
22	83820-65A00	WEATHERSTRIP, OUT LH	1	1	
23	83812-60A00	.CLIP, WEATHERSTRIP	14	14	

# FIG. 191

## FIG 191. 3DR FR DR LOCK

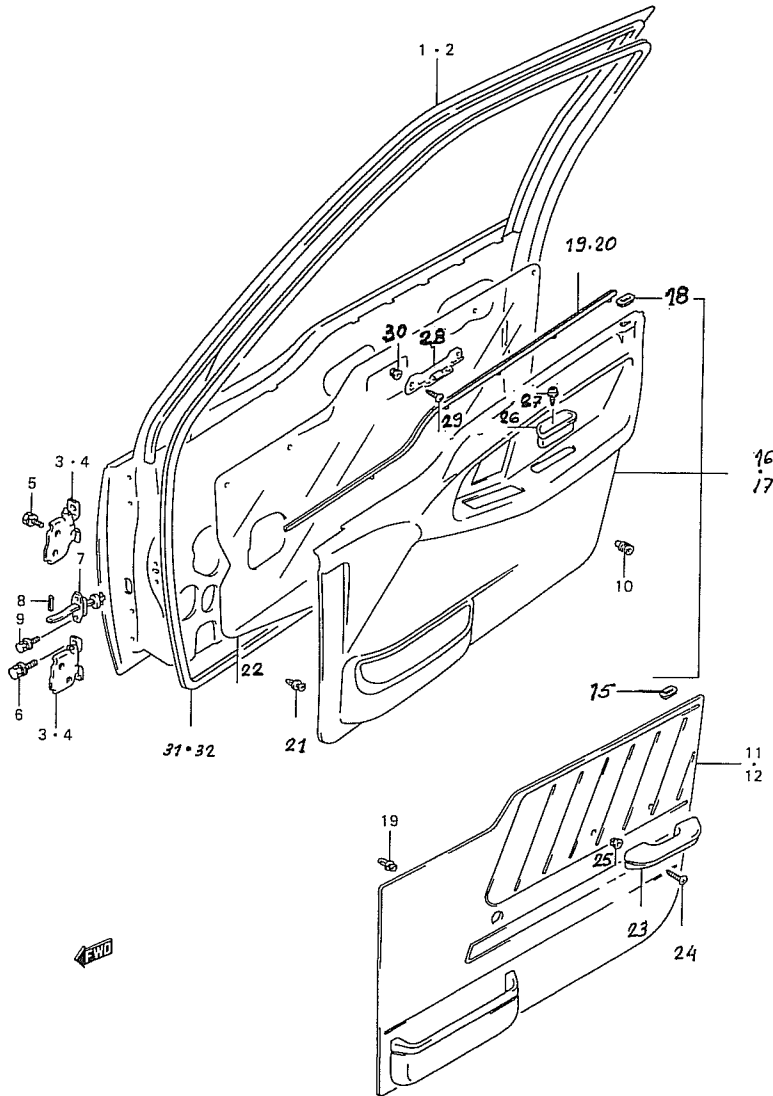


REF. NO.	PART NO.	DESCRIPTION	Q' TY		REMARKS
			C	V	
1	82201-65A00	LATCH ASSY, DOOR RH	1	1	JX
2	82202-65A00	LATCH ASSY, DOOR LH	1	1	JX
3	82201-66A00	LATCH ASSY, DOOR RH	1	1	JLX
4	82202-66A00	LATCH ASSY, DOOR LH	1	1	JLX
5	09137-06024	SCREW, LATCH (6X16)	6	6	
6	09138-06026	SCREW, LATCH (6X16)	2	2	JLX
7	82200-60831	CYLINDER SET, DOOR RH	1	1	
8	82200-60841	CYLINDER SET, DOOR LH	1	1	
9	82277-60A00	.HOLDER, RH	1	1	
10	82287-60A00	.HOLDER, LH	1	1	
11	82610-60A01	STRIKER, DOOR LATCH	2	2	
12	78199-78000	SPACER, STRIKER AR	0	-	
13	09137-08011	SCREW, STRIKER (8X18)	4	4	
14-1	82810-85C00-5PK	HANDLE, DOOR OUT RH (BLACK)	1	1	JX
14-2	82810-85C00-799	HANDLE, DOOR OUT RH	1	1	JLX (PRIMARY COAT)
15-1	82820-85C00-5PK	HANDLE, DOOR OUT LH (BLACK)	1	1	JX
15-2	82820-85C00-799	HANDLE, DOOR OUT LH	1	1	JLX (PRIMARY COAT)
16	08316-20063	NUT, HANDLE	4	4	
17	82973-60A01-5PK	KNOB, INSIDE LOCK (BLACK)	2	2	
18	77591-75000	PAD, INSIDE HANDLE	4	4	
19-1	83110-85C00-5ES	HANDLE, DOOR INSIDE RH (BLACK)	1	1	MY97,
19-2	83110-85C00-T01	HANDLE, DOOR INSIDE RH (GRAY)	1	1	MY98,
20-1	83130-85C00-5ES	HANDLE, DOOR INSIDE LH (BLACK)	1	1	MY97,
20-2	83130-85C00-T01	HANDLE, DOOR INSIDE LH (GRAY)	1	1	MY98,
21	03121-05163	SCREW, HANDLE	2	2	
22	59981-85C00	NUT, HANDLE	2	2	



# FIG. 192

# FIG 192. 5DR FR DR PANEL

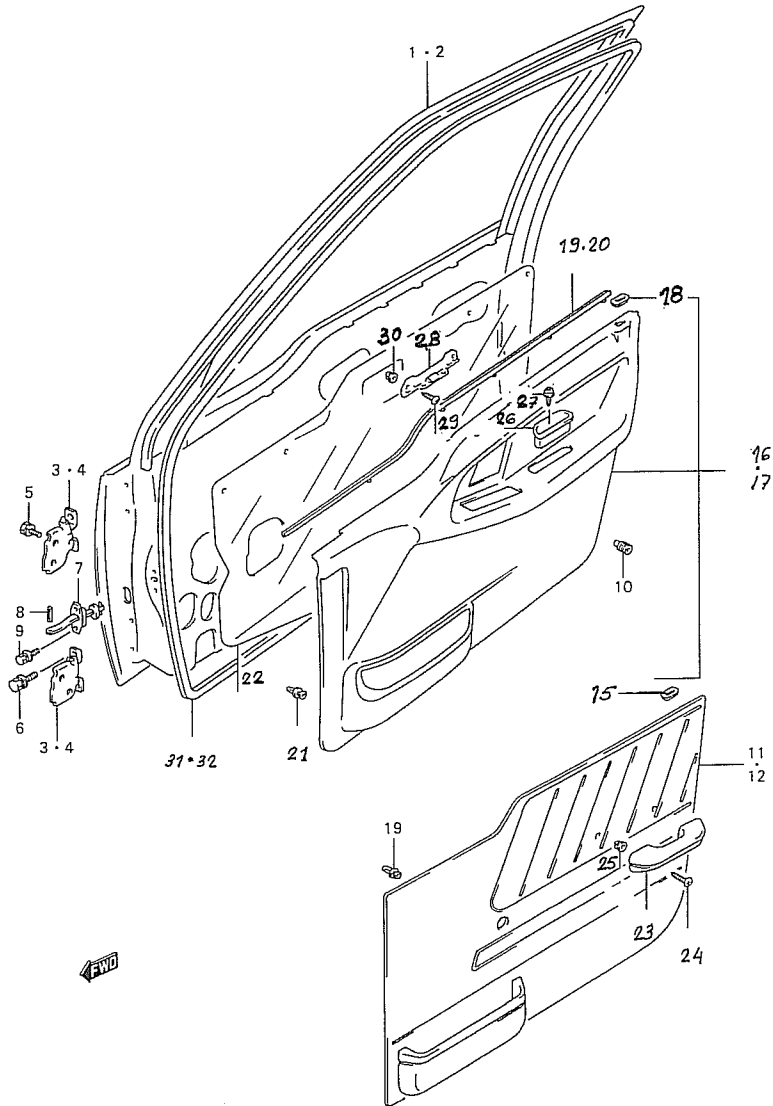


REF. NO.	PART NO.	DESCRIPTION	QTY		REMARKS
			C	V	
1-1	68001-57B10	PANEL ASSY, FRONT DOOR RH		1	
1-3	68001-77810	PANEL ASSY, FRONT DOOR RH		1	SPECIAL
2-1	68002-57B10	PANEL ASSY, FRONT DOOR LH		1	
2-3	68002-77810	PANEL ASSY, FRONT DOOR LH		1	SPECIAL
3	69310-85C00	HINGE, DOOR NO.1		2	UPPER RH AND LOWER LH
4	69340-85C00	HINGE, DOOR NO.2		2	UPPER LH AND LOWER RH
5	09118-08156	BOLT, PILLAR (8X25)		8	
6	01500-08203	BOLT, DOOR		8	
7	81810-56B01	STOP, DOOR OPEN		2	
8	81831-70B00	PIN, STOP BODY		2	
9	01500-06163	BOLT, STOP		4	
10	82711-56B00	STOPPER, DOOR		2	
11-1	83701-56B10-5FE	TRIM, DOOR RH (BLACK)		1	MY97,JX
11-2	83701-56B10-T02	TRIM, DOOR RH (GRAY)		1	MY98,JX
12-1	83702-56B10-5FE	TRIM, DOOR LH (BLACK)		1	MY97,JX
12-2	83702-56B10-T02	TRIM, DOOR LH (GRAY)		1	MY98,JX
13	83722-61A00-5ES	.POCKET, TRIM (BLACK)		2	MY97:JX
14	03141-04123	.SCREW, POCKET		10	MY97:JX
15-1	83795-60A00	CAP, LOCK KNOB (BLACK)		2	MY97:JX
15-2	83795-60A00-T01	CAP, LOCK KNOB (GRAY)		2	MY98:JX
16-1	83701-77E10-5FE	TRIM, DOOR RH (BLACK)		1	MY97:JLX
16-2	83701-77E01-H8R	TRIM, DOOR RH (GRAY/GREEN)		1	MY98:JLX
17-1	83702-77E10-5FE	TRIM, DOOR LH (BLACK)		1	MY97:JLX
17-2	83702-77E01-H8R	TRIM, DOOR LH (GRAY/GREEN)		1	MY98:JLX
18-1	83723-61A00-5ES	.CAP, LOCK KNOB (BLACK)		2	MY97:JLX
18-2	83723-61A00-T01	.CAP, LOCK KNOB (GRAY)		2	MY98:JLX
19	83719-57B00	.WEATHERSTRIP, INNER RH		1	JLX
20	83739-57B00	.WEATHERSTRIP, INNER LH		1	JLX
21-1	09409-08320	CLIP, TRIM		26	JX
21-2	09409-08320	CLIP, TRIM		16	JLX
22	83911-60X50	COVER, DOOR SEALING (600X1200)		2	CUT AS REQUIRED
23-1	84450-82000-5ES	ARMREST, DOOR (BLACK)		2	MY97:JX
23-2	84450-82000-T01	ARMREST, DOOR (GRAY)		2	MY98:JX
24	03241-06253	SCREW, ARMREST		4	JX
25	59981-85C00	NUT, ARMREST		4	JX
26-1	84481-68A00-5ES	CASE, PULL HANDLE (BLACK)		2	MY97:JLX
26-2	84481-68A00-T01	CASE, PULL HANDLE (GRAY)		2	MY98:JLX
27	03141-04123	SCREW, CASE		2	JLX
28	84482-77E00	BRACKET, HANDLE		2	JLX
29	03241-16163	SCREW, BRACKET		4	JLX

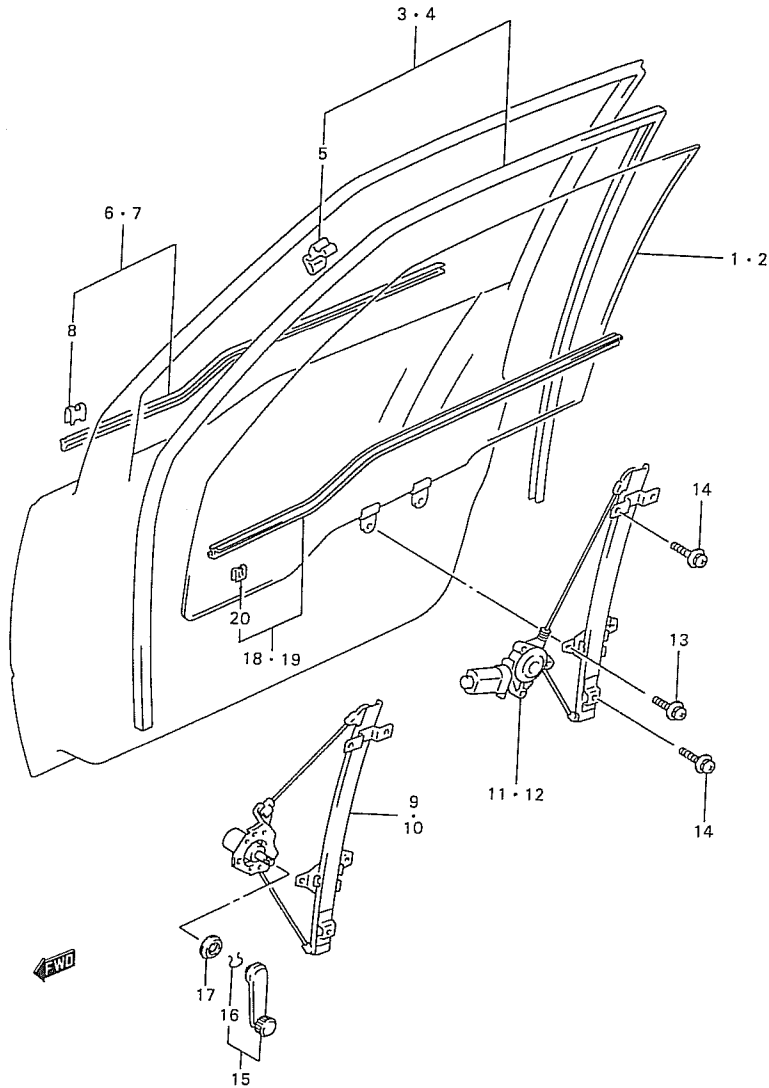
# FIG. 192

## FIG 192. 5DR FR DR PANEL

REF. NO.	PART NO.	DESCRIPTION	QTY		REMARKS
			C	V	
30	59981-85C00	NUT, BRACKET		4	JLX
31-1	84641-56B00	WEATHERSTRIP, DR OPENING RH		1	MY97
31-2	84641-56B01	WEATHERSTRIP, DR OPENING RH		1	MY98
32-1	84651-56B00	WEATHERSTRIP, DR OPENING LH		1	MY97
32-2	84651-56B01	WEATHERSTRIP, DR OPENING LH		1	MY98



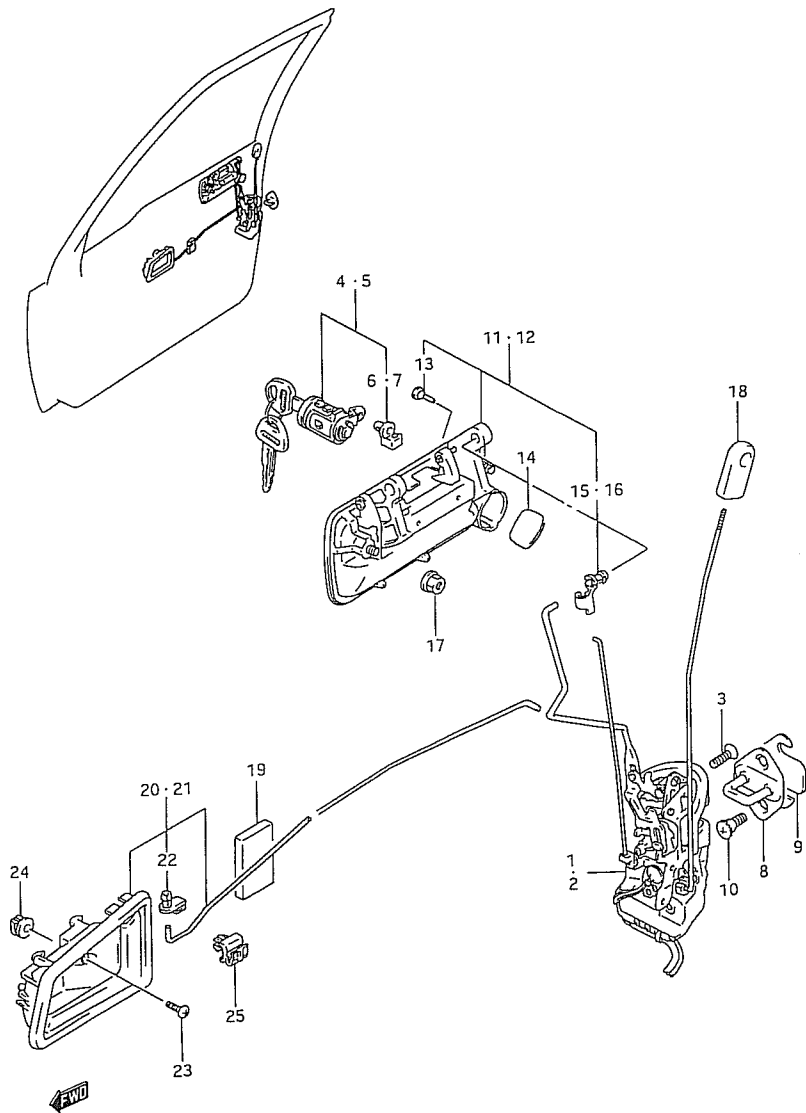
# FIG. 193



## FIG 193. 5DR FR DR REGULATOR

REF. NO.	PART NO.	DESCRIPTION	Q' TY		REMARKS
			C	V	
1	84531-86C00	GLASS, WINDOW RH (GREEN)		1	
2	84536-86C00	GLASS, WINDOW LH (GREEN)		1	
3	83660-56B00	RUN, DOOR GLASS RH		1	
4	83680-56B00	RUN, DOOR GLASS LH		1	
5	83662-60A00	.GUIDE, GLASS		2	
6	83810-56B00	WEATHERSTRIP, OUTER RH		1	
7	83820-56B00	WEATHERSTRIP, OUTER LH		1	
8	83812-60A00	.CLIP, WEATHERSTRIP		14	
9	83410-56B00	REGULATOR ASSY, RH		1	JX
10	83440-56B00	REGULATOR ASSY, LH		1	JX
11	83401-57B00	REGULATOR ASSY, RH		1	JLX
12	83402-57B00	REGULATOR ASSY, LH		1	JLX
13	02112-76123	SCREW, GLASS BOTTOM		4	
14	02112-76123	SCREW, REGULATOR		14	
15-1	82960-82001-5ES	HANDLE, REGULATOR (BLACK)		2	MY97, JX
15-2	82960-82100-T01	HANDLE, REGULATOR (GRAY)		2	MY98, JX
16	78463-78000	.SNAP, HANDLE		2	JX
17-1	82972-82101-5ES	ESCUTCHEON, HANDLE (BLACK)		2	MY97, JX
17-2	82972-82100-T01	ESCUTCHEON, HANDLE (GRAY)		2	MY98, JX
18	83850-56B00	WEATHERSTRIP, INNER RH		1	JX
19	83860-56B00	WEATHERSTRIP, INNER LH		1	JX
20	83812-60A00	.CLIP, WEATHERSTRIP		14	JX

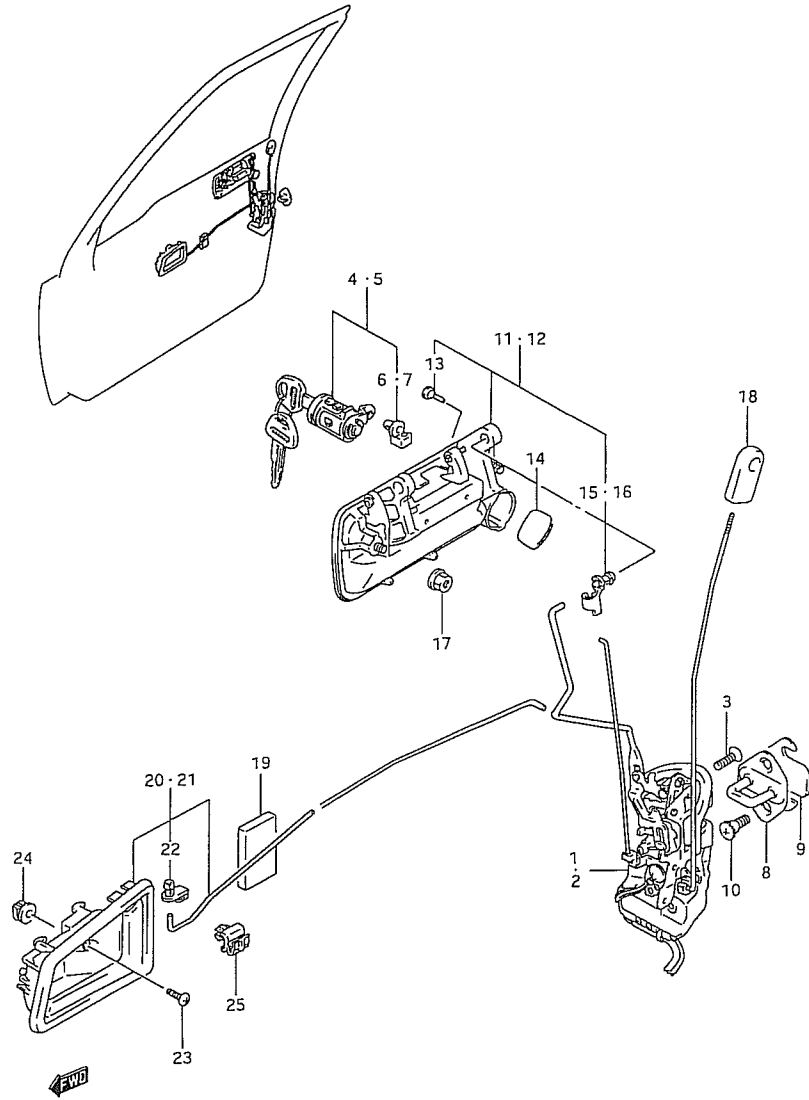
# FIG. 194



## FIG 194. 5DR FR DR LOCK

REF. NO.	PART NO.	DESCRIPTION	QTY		REMARKS
			C	V	
1-1	82201-56B00	LATCH ASSY, DOOR RH		1	JX
1-2	82201-58B00	LATCH ASSY, DOOR RH		1	JLX
2-1	82202-56B00	LATCH ASSY, DOOR LH		1	JX
2-2	82202-58B00	LATCH ASSY, DOOR LH		1	JLX
3	09137-06025	SCREW, LATCH (6X16)		6	
4	82200-60831	CYLINDER SET, DOOR RH		1	
5	82200-60841	CYLINDER SET, DOOR LH		1	
6	82277-60A00	.HOLDER, RH		1	
7	82287-60A00	.HOLDER, LH		1	
8	82610-60A01	STRIKER, DOOR LATCH		2	
9	78199-78000	SPACER, STRIKER		0-	
10	09137-08011	SCREW, STRIKER (8X18)		4	
11-1	82810-56B00-5PK	HANDLE, DOOR OUT RH (BLACK)		1	JX
11-2	82810-56B00-Y27	HANDLE, DOOR OUT RH (GRAY)		1	MY97, JLX
11-3	82810-56B00-Y28	HANDLE, DOOR OUT RH (RED)		1	MY98, JLX
11-4	82810-56B00-Y29	HANDLE, DOOR OUT RH (BLUE)		1	MY97, JLX
11-5	82810-56B00-Y31	HANDLE, DOOR OUT RH (BLUE)		1	MY98, JLX
11-6	82810-56B00-Y33	HANDLE, DOOR OUT RH (GREEN)		1	MY97, JLX
11-7	82810-56B00-Y34	HANDLE, DOOR OUT RH (GREEN)		1	MY98, JLX
11-8	82810-56B00-Z01	HANDLE, DOOR OUT RH (GREEN)		1	MY97, JLX
11-9	82810-56B00-Z05	HANDLE, DOOR OUT RH (VIOLET)		1	MY98, JLX
11-1	82810-56B00-0FT	HANDLE, DOOR OUT RH (RED)		1	JLX
11-1	82810-56B00-0BM	HANDLE, DOOR OUT RH (BLUE)		1	MY98, JLX
11-1	82810-56B00-26U	HANDLE, DOOR OUT RH (WHITE)		1	JLX
11-1	82810-56B00-0DG	HANDLE, DOOR OUT RH (BLACK)		1	MY98, JLX
12-1	82820-56B00-5PK	HANDLE, DOOR OUT LH (BLACK)		1	JX
12-2	82820-56B00-Y27	HANDLE, DOOR OUT LH (GRAY)		1	MY97, JLX
12-3	82820-56B00-Y28	HANDLE, DOOR OUT LH (RED)		1	MY98, JLX
12-4	82820-56B00-Y29	HANDLE, DOOR OUT LH (BLUE)		1	MY97, JLX
12-5	82820-56B00-Y31	HANDLE, DOOR OUT LH (BLUE)		1	MY98, JLX
12-6	82820-56B00-Y33	HANDLE, DOOR OUT LH (GREEN)		1	MY97, JLX
12-7	82820-56B00-Y34	HANDLE, DOOR OUT LH (GREEN)		1	MY98, JLX
12-8	82820-56B00-Z01	HANDLE, DOOR OUT LH (GREEN)		1	MY97, JLX
12-9	82820-56B00-Z05	HANDLE, DOOR OUT LH (VIOLET)		1	MY98, JLX
12-1	82820-56B00-0FT	HANDLE, DOOR OUT LH (RED)		1	JLX
12-1	82820-56B00-0BM	HANDLE, DOOR OUT LH (BLUE)		1	MY98, JLX
12-1	82820-56B00-26U	HANDLE, DOOR OUT LH (WHITE)		1	JLX
12-1	82820-56B00-0DG	HANDLE, DOOR OUT LH (BLACK)		1	MY98, JLX
13	82816-60A00	.RUBBER, STOP		4	
14	82817-60A00	.RING, SNAP		2	
15	09209-05017	.HOLDER, ROD RH		1	

# FIG. 194

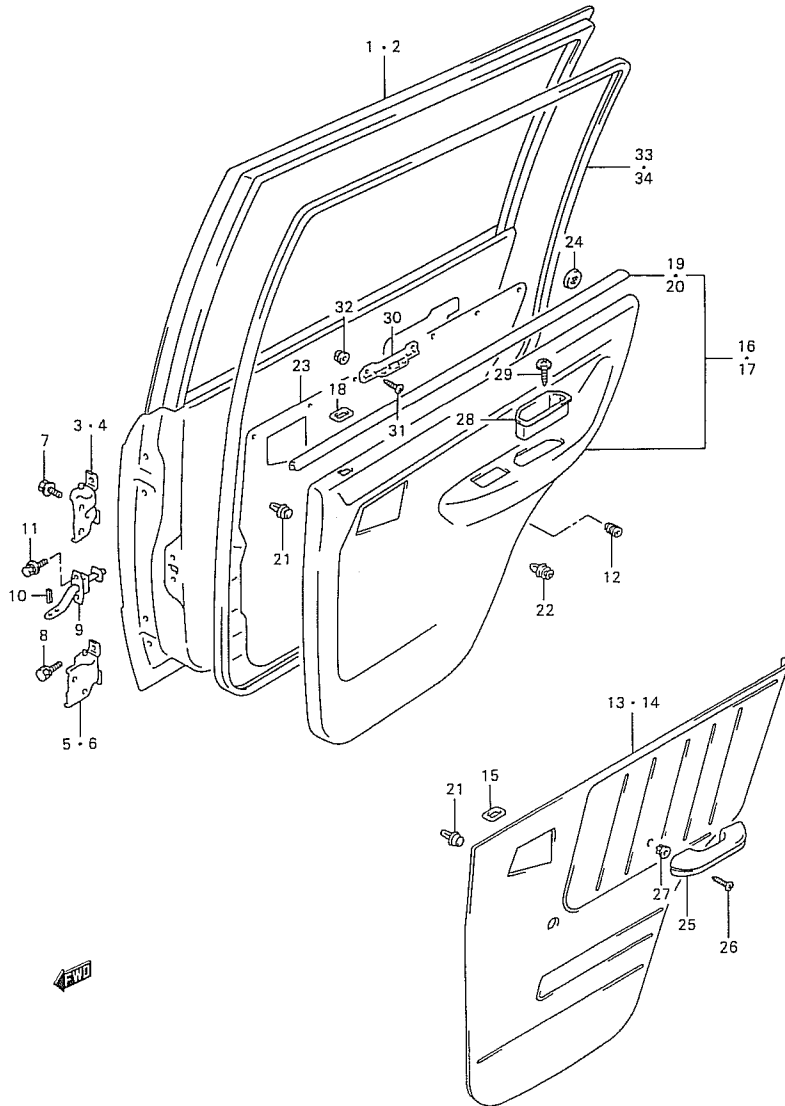


## FIG 194. 5DR FR DR LOCK

REF. NO.	PART NO.	DESCRIPTION	Q' TY		REMARKS
			C	V	
16	82828-56B00	.HOLDER, ROD LH		1	
17	08316-20063	NUT, HANDLE		4	
18	82973-60A01-5PK	KNOB, INSIDE LOCK (BLACK)		2	
19	77591-75000	PAD, INSIDE HANDLE		2	
20-1	83110-85CA0-5ES	HANDLE, DOOR INSIDE RH (BLACK)		1	MY97,
20-2	83110-85CA0-T01	HANDLE, DOOR INSIDE RH (GRAY)		1	MY98,
21-1	83130-85CA0-5ES	HANDLE, DOOR INSIDE LH (BLACK)		1	MY97,
21-2	83130-85CA0-T01	HANDLE, DOOR INSIDE LH (GRAY)		1	MY98,
22	83119-60F00	.SNAP, HANDLE		2	
23	03121-05163	SCREW, HANDLE		2	
24	59981-85C00	NUT, HANDLE		2	
25	83271-63D10	CLIP, ROD		2	

# FIG. 195

## FIG 195. 5DR RR DR PANEL

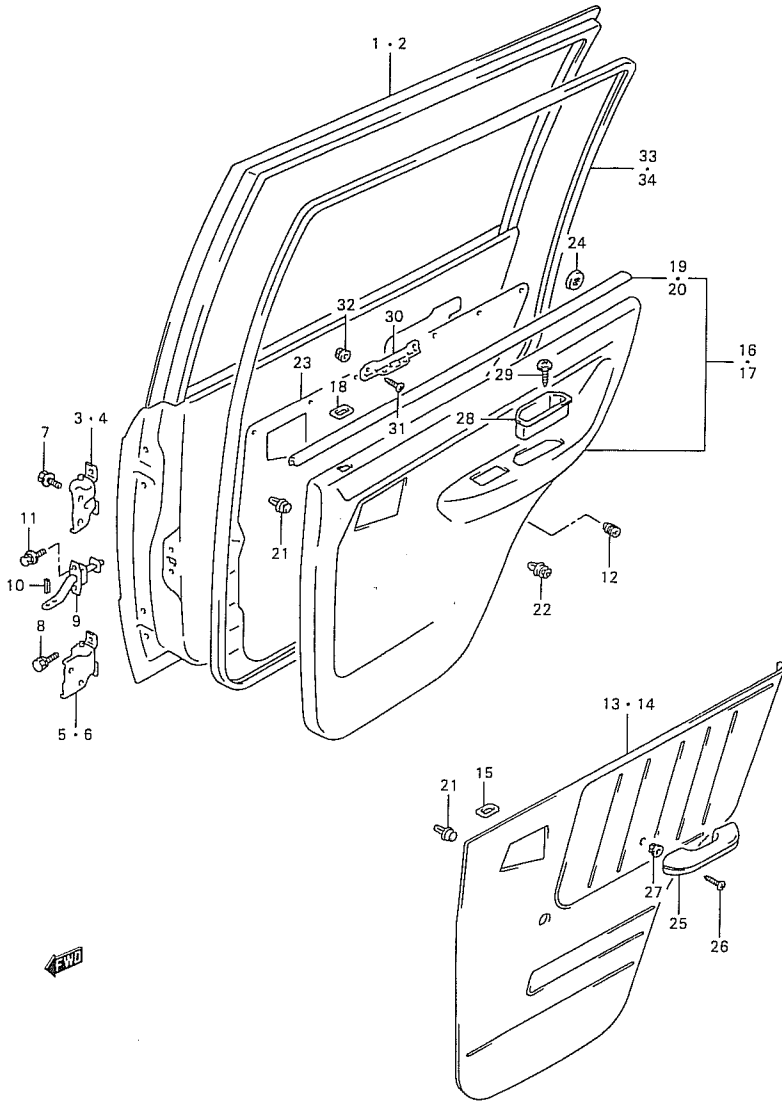


REF. NO.	PART NO.	DESCRIPTION	QTY		REMARKS
			C	V	
1-1	68003-57B11	PANEL ASSY, REAR DOOR RH		1	
1-2	68003-77810	PANEL ASSY, REAR DOOR RH		1	SPECIAL
2-1	68004-57B11	PANEL ASSY, REAR DOOR LH		1	
2-2	68004-77810	PANEL ASSY, REAR DOOR LH		1	SPECIAL
3	69410-56B10	HINGE, UPPER RH		1	
4	69430-56B10	HINGE, UPPER LH		1	
5	69440-56B10	HINGE, LOWER RH		1	
6	69460-56B10	HINGE, LOWER LH		1	
7	09118-08156	BOLT, PILLAR (8X25)		8	
8	01500-08203	BOLT, DOOR		8	
9	81830-56B01	STOP, DOOR OPEN		2	
10	81831-70B00	PIN, STOP BODY		2	
11	01500-06163	BOLT, STOP		4	
12	82711-56B00	STOPPER, DOOR		2	
13-1	83740-56B10-5FE	TRIM, DOOR RH (BLACK)		1	MY97, JX
13-2	83740-56B10-T02	TRIM, DOOR RH (GRAY)		1	MY98, JX
14-1	83760-56B10-5FE	TRIM, DOOR LH (BLACK)		1	MY97, JX
14-2	83760-56B10-T02	TRIM, DOOR LH (GRAY)		1	MY98, JX
15-1	83795-60A00	CAP, LOCK KNOB (BLACK)		2	MY97, JX
15-2	83795-60A00-T01	CAP, LOCK KNOB (GRAY)		2	MY98, JX
16-1	83703-77E10-5FE	TRIM, DOOR RH (BLACK)		1	MY97, JLX
16-2	83703-77E01-H8R	TRIM, DOOR RH (GRAY/GREEN)		1	MY98, JLX
17-1	83704-77E10-5FE	TRIM, DOOR LH (BLACK)		1	MY97, JLX
17-2	83704-77E01-H8R	TRIM, DOOR LH (GRAY/GREEN)		1	MY98, JLX
18-1	83723-61A00-5ES	.CAP, LOCK KNOB (BLACK)		2	MY97, JLX
18-2	83723-61A00-T01	.CAP, LOCK KNOB (GRAY)		2	MY98, JLX
19	83749-57B00	.WEATHERSTRIP, INNER RH		1	JLX
20	83769-57B00	.WEATHERSTRIP, INNER LH		1	JLX
21-1	09409-08320	CLIP, TRIM		20	JX
21-2	09409-08320	CLIP, TRIM		8	JLX
22	83729-50E00	CLIP, TRIM		2	JLX
23	83911-60X50	COVER, DOOR SEALING (600X1200)		2	CUT AS REQUIRED
24	50027-00000	CAP, HANDLE HOLE		2	
25-1	84450-82000-5ES	ARMREST, DOOR (BLACK)		2	MY97, JX
25-2	84450-82000-T01	ARMREST, DOOR (GRAY)		2	MY98, JX
26	03241-06253	SCREW, ARMREST		4	JX
27	59981-85C00	NUT, ARMREST		4	JX
28-1	84481-68A00-5ES	CASE, PULL HANDLE (BLACK)		2	MY97, JLX
28-2	84481-68A00-T01	CASE, PULL HANDLE (GRAY)		2	MY98, JLX
29	03141-04123	SCREW, CASE		2	JLX
30	84482-77E00	BRACKET, HANDLE		2	JLX

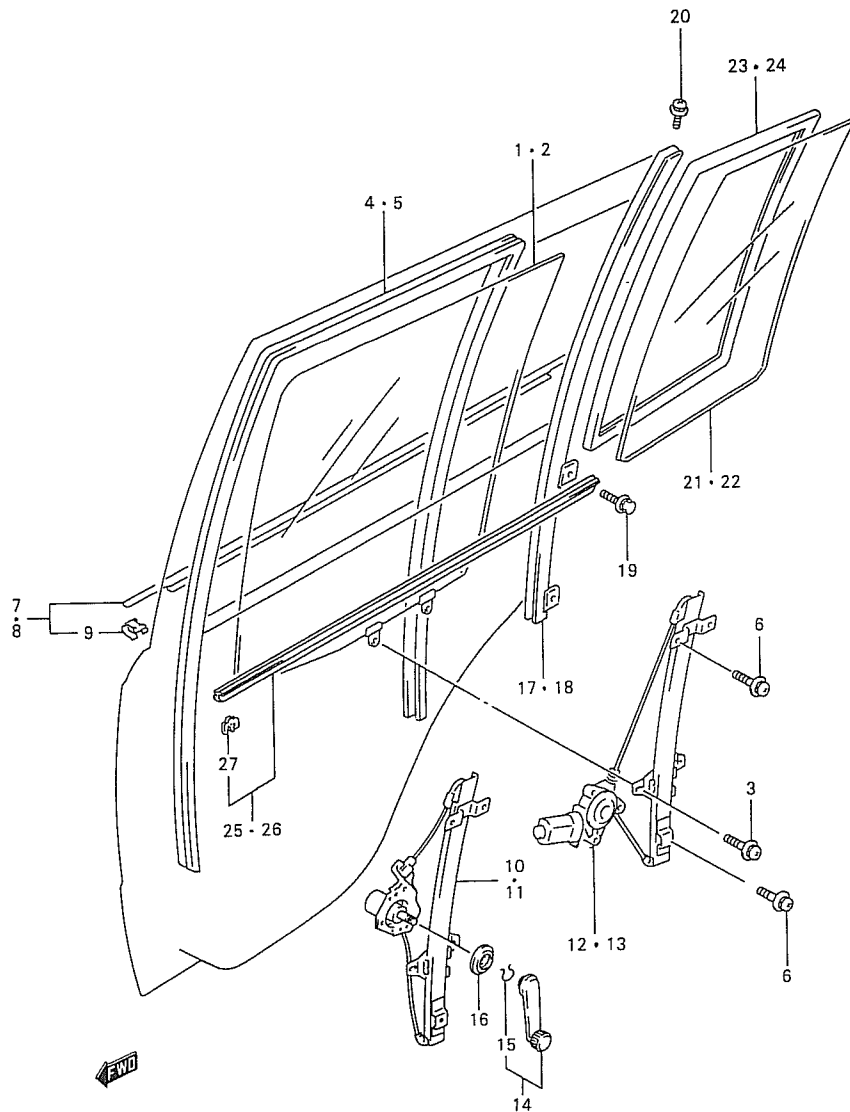
# FIG. 195

# FIG 195. 5DR RR DR PANEL

REF. NO.	PART NO.	DESCRIPTION	QTY		REMARKS
			C	V	
31	03241-16163	SCREW, BRACKET		4	JLX
32	59981-85C00	NUT, BRACKET		4	JLX
33	84661-56B02	WEATHERSTRIP, DR OPENING RH		1	
34-1	84671-56B01	WEATHERSTRIP, DR OPENING LH		1	MY97,
34-2	84671-56B02	WEATHERSTRIP, DR OPENING LH		1	MY98,



# FIG. 196

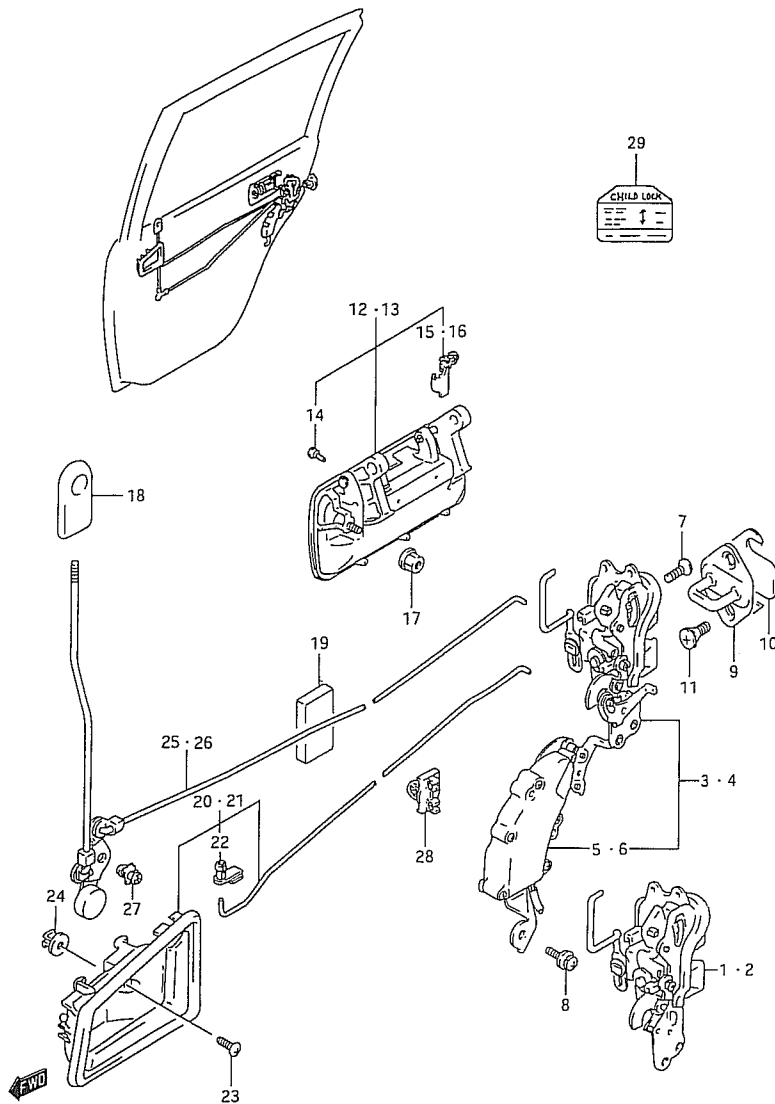


## FIG 196. 5DR RR DR REGULATOR

REF. NO.	PART NO.	DESCRIPTION	QTY		REMARKS
			C	V	
1	84541-86C00	GLASS, WINDOW RH (GREEN)		1	
2	84546-86C00	GLASS, WINDOW LH (GREEN)		1	
3	02112-76123	SCREW, GLASS BOTTOM		4	
4	83671-56B00	RUN, DOOR GLASS RH		1	
5	83672-56B00	RUN, DOOR GLASS LH		1	
6	02112-76123	SCREW, REGULATOR		14	
7	83830-56B02	WEATHERSTRIP, OUTER RH		1	
8	83840-56B02	WEATHERSTRIP, OUTER LH		1	
9	83812-60A00	.CLIP, WEATHERSTRIP		14	
10	83510-56B00	REGULATOR ASSY, RH		1	JX
11	83540-56B00	REGULATOR ASSY, LH		1	JX
12	83501-57B00	REGULATOR ASSY, RH		1	JLX
13	83502-57B00	REGULATOR ASSY, LH		1	JLX
14-1	82960-82001-5ES	HANDLE, REGULATOR (BLACK)		2	MY97, JX
14-2	82960-82101-T01	HANDLE, REGULATOR (GRAY)		2	MY98, JX
15	78463-78000	.SNAP, HANDLE		2	JX
16-1	82972-82101-5ES	ESCUTCHEON, HANDLE (BLACK)		2	MY97, JX
16-2	82972-82101-T01	ESCUTCHEON, HANDLE (GRAY)		2	MY98, JX
17	81770-56B01-0CE	SASH, REAR DOOR CTR RH (BLACK)		1	
18	81780-56B01-0CE	SASH, REAR DOOR CTR LH (BLACK)		1	
19	01500-06163	BOLT, LOWER		4	
20	02122-04103	SCREW, UPPER		2	
21	84551-86C00	GLASS, PARTITION RH (GREEN)		1	
22	84556-86C00	GLASS, PARTITION LH (GREEN)		1	
23	84665-56B00	WEATHERSTRIP, PARTITION RH		1	
24	84675-56B00	WEATHERSTRIP, PARTITION LH		1	
25	83870-56B00	WEATHERSTRIP, INNER RH		1	JX
26	83880-56B00	WEATHERSTRIP, INNER LH		1	JX
27	83812-60A00	.CLIP, WEATHERSTRIP		14	JX



# FIG. 197



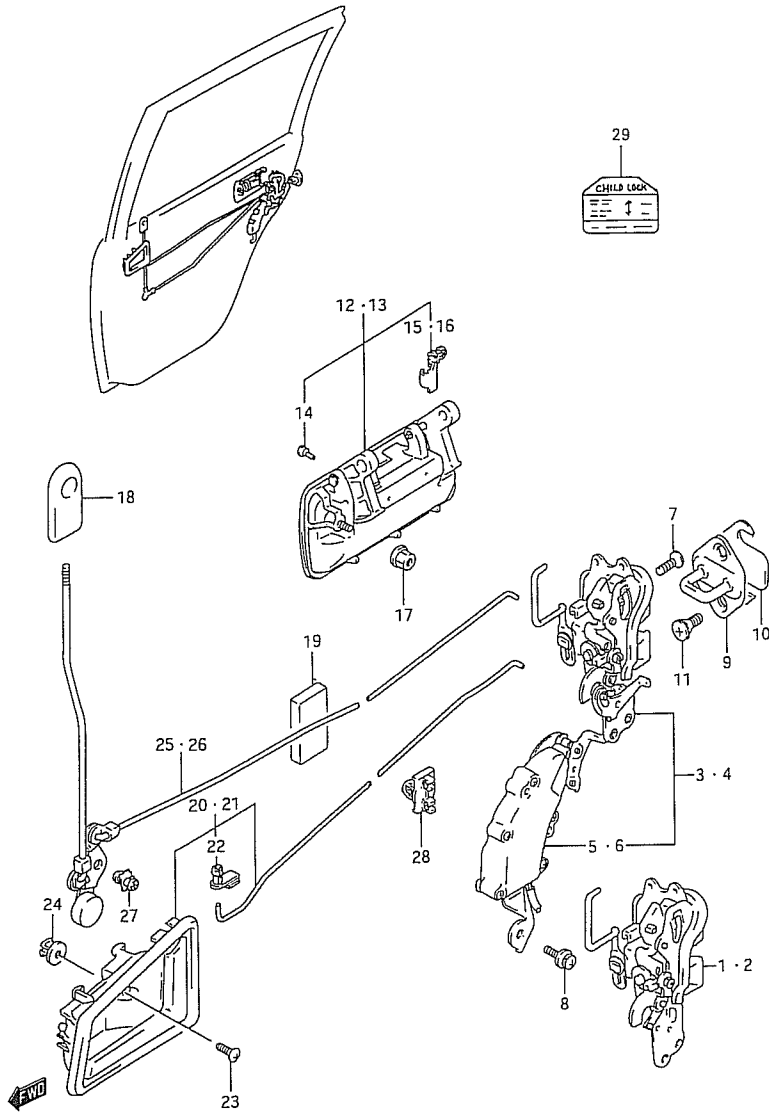
# FIG 197. 5DR RR DR LOCK

REF. NO.	PART NO.	DESCRIPTION	Q' TY		REMARKS
			C	V	
1	82301-56B00	LATCH ASSY, DOOR RH		1	JX
2	82302-56B00	LATCH ASSY, DOOR LH		1	JX
3	82301-58B00	LATCH ASSY, DOOR RH		1	JLX
4	82302-58B00	LATCH ASSY, DOOR LH		1	JLX
5	82370-58B00	.ACTUATOR, LATCH RH		1	JLX
6	82380-58B00	.ACTUATOR, LATCH LH		1	JLX
7	09137-06025	SCREW, LATCH (6X16)		6	
8	09138-06026	SCREW, LATCH (6X16)		2	JLX
9	82610-60A01	STRIKER, DOOR LATCH		2	
10	78199-78000	SPACER, STRIKER		0-	
11	09137-08011	SCREW, STRIKER (8X18)		4	
12-1	82830-56B00-5PK	HANDLE, DOOR OUT RH (BLACK)		1	JX
12-2	82830-56B00-Y27	HANDLE, DOOR OUT RH (GRAY)		1	MY97, JLX
12-3	82830-56B00-Y28	HANDLE, DOOR OUT RH (RED)		1	MY98, JLX
12-4	82830-56B00-Y29	HANDLE, DOOR OUT RH (BLUE)		1	MY97, JLX
12-5	82830-56B00-Y31	HANDLE, DOOR OUT RH (BLUE)		1	MY98, JLX
12-6	82830-56B00-Y33	HANDLE, DOOR OUT RH (GREEN)		1	MY97, JLX
12-7	82830-56B00-Y34	HANDLE, DOOR OUT RH (GREEN)		1	MY98, JLX
12-8	82830-56B00-Z01	HANDLE, DOOR OUT RH (GREEN)		1	MY97, JLX
12-9	82830-56B00-Z05	HANDLE, DOOR OUT RH (VIOLET)		1	MY98, JLX
12-1	82830-56B00-0FT	HANDLE, DOOR OUT RH (RED)		1	JLX
12-1	82830-56B00-0EM	HANDLE, DOOR OUT RH (BLUE)		1	MY98, JLX
12-1	82830-56B00-26U	HANDLE, DOOR OUT RH (WHITE)		1	JLX
12-1	82830-56B00-0DG	HANDLE, DOOR OUT RH (BLACK)		1	MY98, JLX
13-1	82840-56B00-5PK	HANDLE, DOOR OUT LH (BLACK)		1	JX
13-2	82840-56B00-Y27	HANDLE, DOOR OUT LH (GRAY)		1	MY97, JLX
13-3	82840-56B00-Y28	HANDLE, DOOR OUT LH (RED)		1	MY98, JLX
13-4	82840-56B00-Y29	HANDLE, DOOR OUT LH (BLUE)		1	MY97, JLX
13-5	82840-56B00-Y31	HANDLE, DOOR OUT LH (BLUE)		1	MY98, JLX
13-6	82840-56B00-Y33	HANDLE, DOOR OUT LH (GREEN)		1	MY97, JLX
13-7	82840-56B00-Y34	HANDLE, DOOR OUT LH (GREEN)		1	MY98, JLX
13-8	82840-56B00-Z01	HANDLE, DOOR OUT LH (GREEN)		1	MY97, JLX
13-9	82840-56B00-Z05	HANDLE, DOOR OUT LH (VIOLET)		1	MY98, JLX
13-1	82840-56B00-0FT	HANDLE, DOOR OUT LH (RED)		1	JLX
13-1	82840-56B00-0EM	HANDLE, DOOR OUT LH (BLUE)		1	MY98, JLX
13-1	82840-56B00-26U	HANDLE, DOOR OUT LH (WHITE)		1	JLX
13-1	82840-56B00-0DG	HANDLE, DOOR OUT LH (BLACK)		1	MY98, JLX
14	82816-60A00	.RUBBER, STOP		2	
15	09209-05017	.HOLDER, ROD RH		1	
16	82828-56B00	.HOLDER, ROD LH		1	
17	08316-20063	NUT, HANDLE		4	

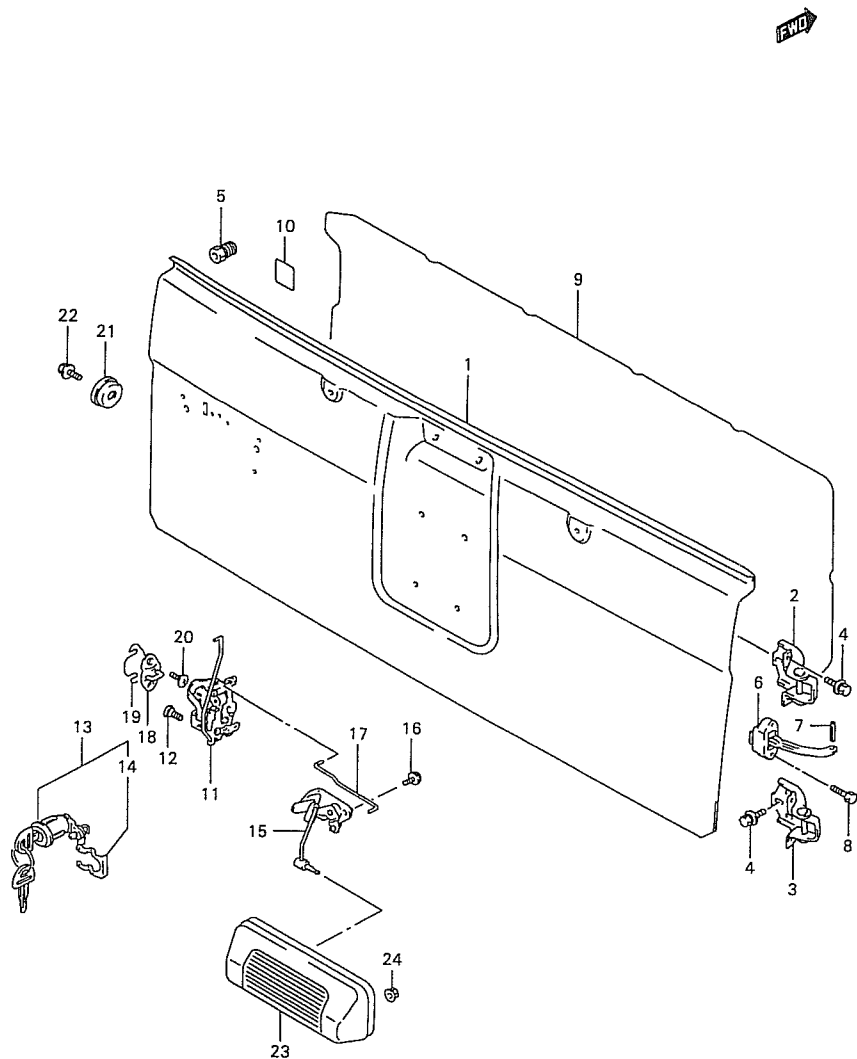
# FIG. 197

## FIG 197. 5DR RR DR LOCK

REF. NO.	PART NO.	DESCRIPTION	QTY		REMARKS
			C	V	
18	82973-60A01-5PK	KNOB, INSIDE HANDLE (BLACK)		2	
19	77591-75000	PAD, INSIDE HANDLE		2	
20-1	83140-85CA0-5ES	HANDLE, DOOR INSIDE RH (BLACK)		1	MY97,
20-2	83140-85CA0-T01	HANDLE, DOOR INSIDE RH (GRAY)		1	MY98,
21-1	83160-85CA0-5ES	HANDLE, DOOR INSIDE LH (BLACK)		1	MY97,
21-2	83160-85CA0-T01	HANDLE, DOOR INSIDE LH (GRAY)		1	MY98,
22	83116-85C00	.SNAP, HANDLE		2	
23	03121-05163	SCREW, HANDLE		2	
24	59981-85C00	NUT, HANDLE		2	
25	83240-56B01	ROD, INSIDE LOCK RH		1	
26	83250-56B01	ROD, INSIDE LOCK LH		1	
27	83261-56B00	PIN, LINK		2	
28	83271-50E00	CLIP, ROD		2	
29	82491-56B00	CAUTION PLATE, CHILD LOCK		2	



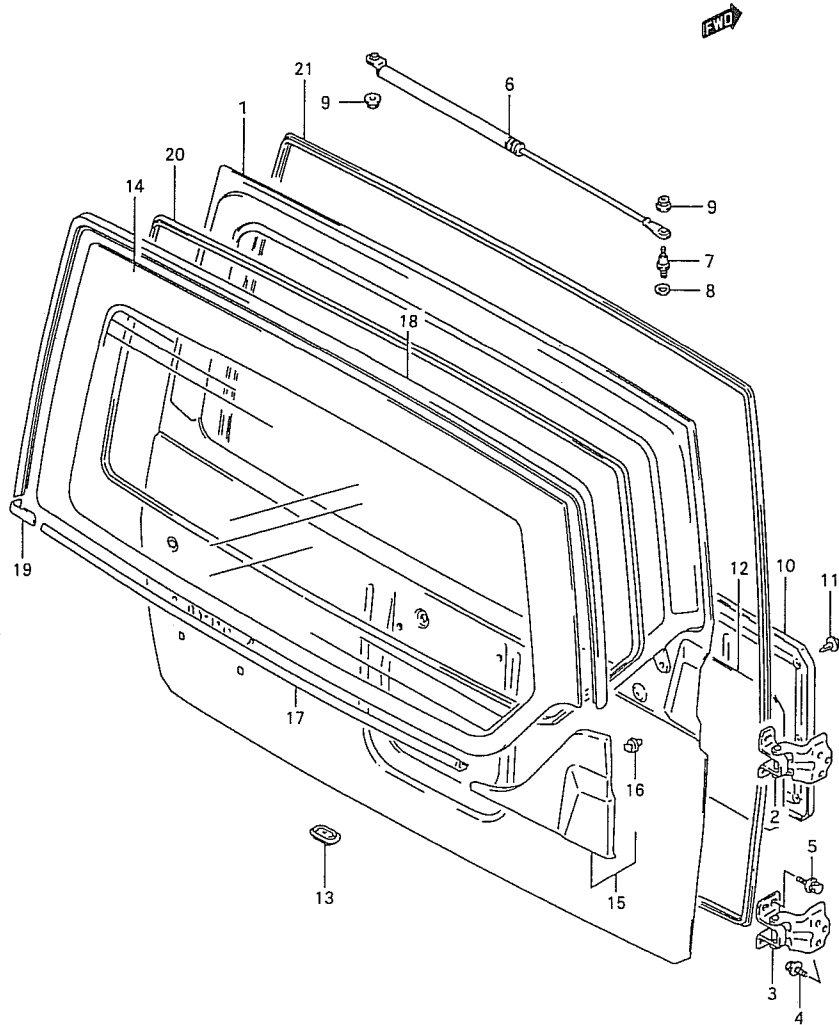
# FIG. 198



## FIG 198. REAR GATE (3DR: C)

REF. NO.	PART NO.	DESCRIPTION	QTY		REMARKS
			C	V	
1-1	67700-85C00	PANEL ASSY, RR GATE		1	CANVAS TOP
1-2	67700A60A20	PANEL ASSY, RR GATE		1	HARD TOP
2	67730-85C00	HINGE, RR GATE UPPER		1	
3	69520-85C00	HINGE, RR GATE LOWER		1	
4	09118-08156	BOLT, HINGE (8X25)		12	
5	72372-85C00	CUSHION, RR GATE		1	
6	72850-60A10	STOP, RR GATE		1	
7	81831-70B00	PIN, STOP BODY		1	
8	01580-06203	BOLT, STOP		2	
9	83911-60X50	COVER, DOOR SEALING (600X1200)		1	CUT AS REQUIRED
10	72893-60A10	SEAL, RR GATE		1	
11	82530-60A10	LATCH ASSY, RR GATE		1	
12	09137-06025	SCREW, LATCH (6X16)		3	
13	82500-60821	CYLINDER SET, RR GATE		1	
14	82577-70B00	.RETAINER, CYLINDER		1	
15	83190-60A10	LINK, RR GATE INSIDE		1	
16	02112-76123	SCREW, LINK		2	
17	83195-85C00	ROD, RR GATE LATCH		1	
18	82660-61A01	STRIKER, DOOR LATCH		1	
19	78199-78000	SPACER, STRIKER		0	-1
20	09137-08011	SCREW, STRIKER (8X18)		2	
21	82761-85C00	MALE, STOP DOOR		1	
22	09118-08128	BOLT, STOP DOOR (8X16)		1	
23-1	82850-62A01-5PK	HANDLE, DOOR OUT (BLACK)		1	JX
23-2	82850-85C00-799	HANDLE, DOOR OUT (RED)		1	JLX
24	08316-20063	NUT, HANDLE		3	

# FIG. 199

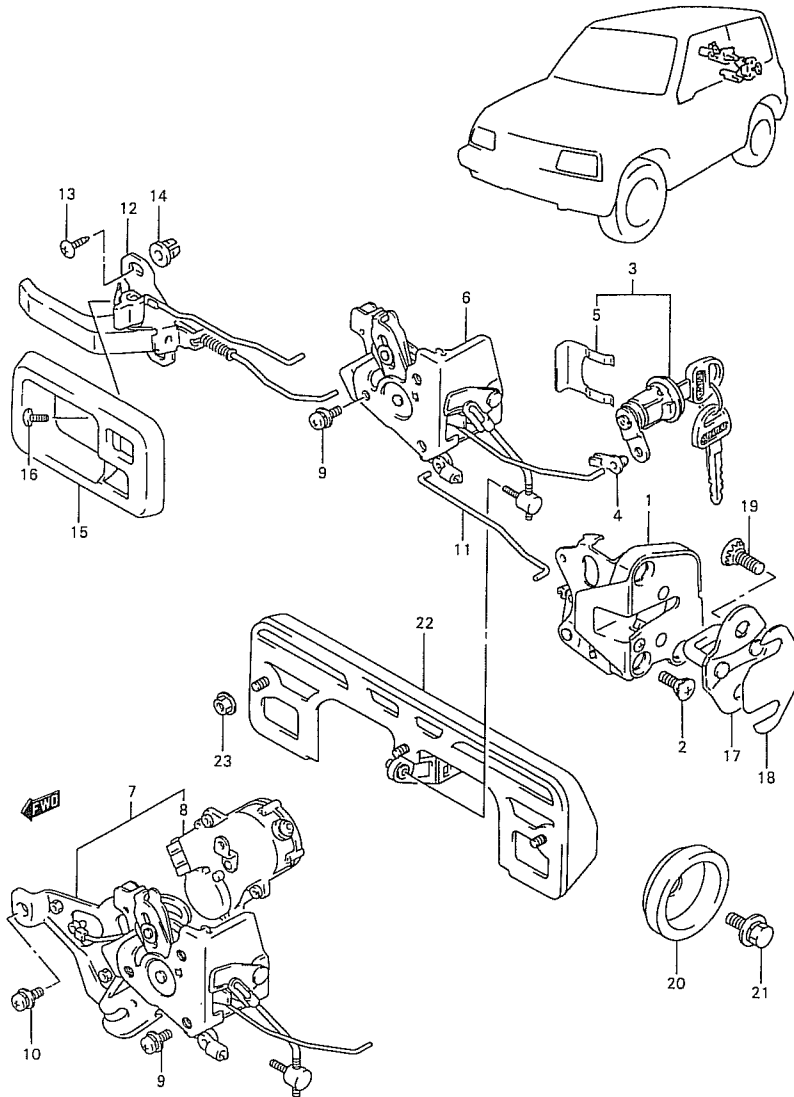


## FIG 199. BACK DR PANEL (V)

REF. NO.	PART NO.	DESCRIPTION	Q' TY		REMARKS
			C	V	
1	69100A61A50	PANEL ASSY, BACK DOOR		1	
2	69510-85C00	HINGE, BACK DOOR UPPER		1	
3	69520-85C00	HINGE, BACK DOOR LOWER		1	
4	09118-08156	BOLT, PILLAR (8X25)		6	
5	09118-08156	BOLT, DOOR (8X25)		6	
6	81851-85C00	UNIT, BACK DOOR BALANCER		1	
7	81852-61A00	SHAFT, BALANCER DOOR		1	
8	08322-01083	WASHER, BACK DOOR BALANCER		1	
9	09159-06076	NUT, BACK DOOR BALANCER		2	
10-1	83770-62A00-5FE	TRIM, BACK DOOR (BLACK)		1	MY97, E2, E22
10-2	83770-62A00-T02	TRIM, BACK DOOR (GRAY)		1	MY98, E2, E22
10-3	83770-63A01-5ES	TRIM, BACK DOOR (BLACK)		1	MY97, E21
10-4	83770-63A01-T01	TRIM, BACK DOOR (GRAY)		1	MY98, E21
11-1	09409-08320	CLIP, TRIM		15	MY97, MY98: E2, E22
11-2	09409-08308-T01	CLIP, TRIM (GRAY)		14	MY98: E21
12	83911-60X50	COVER, DOOR SEALING (600X1200)		1	CUT AS REQUIRED
13	83914-85C00	COVER, SERVICE HOLE		1	
14	84575-85C00	GLASS, WINDOW (GREEN,W/DF)		1	
15	83940-61A00-5PK	GARNISH, OUT RH (BLACK)		1	
16	83942-61A00	.CLIP, GARNISH		2	
17	84621-61A00-5PK	MOLDING, WINDOW NO.1 (BLACK)		1	
18-1	84622-56B00-5PK	MOLDING, WINDOW NO.2 (BLACK)		1	MY97,
18-2	84622-85C00-5PK	MOLDING, WINDOW NO.2 (BLACK)		1	MY98,
19	84626-61A00-5PK	.JOINT, MOLDING LOWER (BLACK)		1	
20	84627-61A00-5PK	TRIM, WINDOW OPENING (BLACK)		1	
21	84681-61A01-5PK	WEATHERSTRIP, OPENING (BLACK)		1	

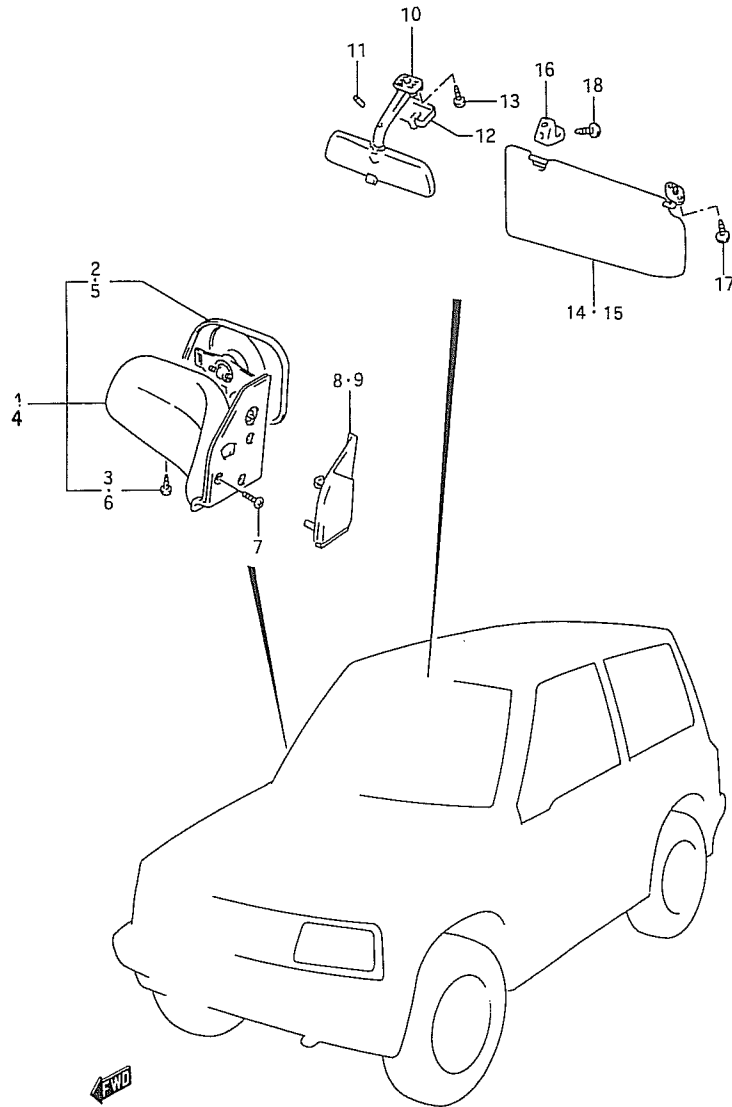
# FIG. 200

# FIG 200. BACK DR LOCK (V)



REF. NO.	PART NO.	DESCRIPTION	QTY		REMARKS
			C	V	
1	82530-61A00	LATCH ASSY, BACK DOOR		1	
2	09137-06025	SCREW, LATCH (6X16)		3	
3	82500-60830	CYLINDER SET, LATCH LOCK		1	
4	82287-60A00	.HOLDER		1	
5	82577-70B00	.RETAINER		1	
6	83170-62A00	LINK, BACK DOOR LATCH		1	JX
7-1	83170-58B00	LINK, BACK DOOR LATCH		1	JLX:E2, E22
7-2	83170-57B00	LINK, BACK DOOR LATCH		1	JLX:E21
8	82550-57B00	.ACTUATOR, LATCH		1	JLX
9	02112-76123	SCREW, LINK		3	
10	02112-76123	SCREW, ACTUATOR		1	JLX
11	83175-85C00	ROD, BACK DOOR LATCH		1	
12-1	83190-62A00-5BS	HANDLE, INSIDE (BLACK)		1	MY97:E2, E22
12-2	83190-62A00-T01	HANDLE, INSIDE (GRAY)		1	MY98:E2, E22
13	03241-06123	SCREW, HANDLE		2	E2, E22
14	59981-85C00	NUT, HANDLE		2	E2, E22
15-1	82981-82000-5PK	BEZEL, INSIDE HANDLE (BLACK)		1	MY97:E2, E22
15-2	82981-82000-T01	BEZEL, INSIDE HANDLE (GRAY)		1	MY98:E2, E22
16	03141-04083	SCREW, BEZEL		1	E2, E22
17	82660-61A01	STRIKER, DOOR LATCH		1	
18	78199-78000	SPACER, STRIKER		0-	
19	09137-08011	SCREW, STRIKER (8X18)		2	
20	82761-85C00	MAIL, STOP DOOR		1	
21	09118-08128	BOLT, STOP DOOR (8X16)		1	
22-1	82850-62A01-5PK	HANDLE, DOOR OUT (BLACK)		1	JX
22-2	82850-85C00-799	HANDLE, DOOR OUT (RED)		1	JLX
23	08316-20063	NUT, HANDLE		3	

# FIG. 201

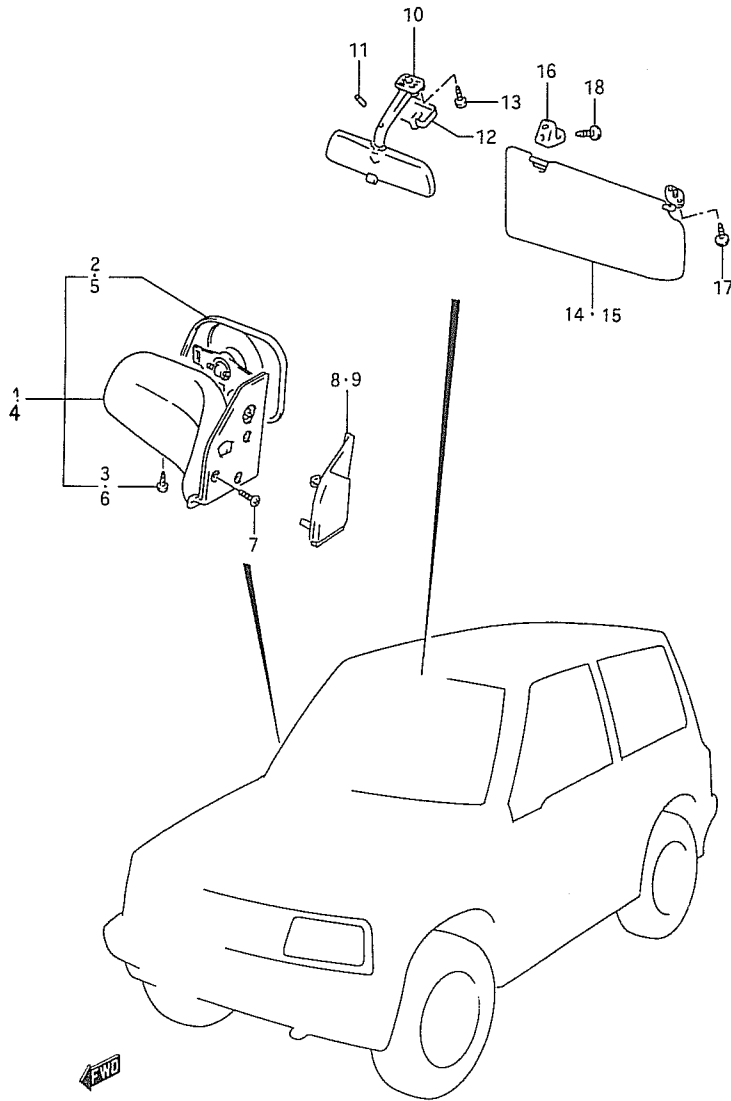


# FIG 201. MIRROR / SUN VISOR (3DR)

REF. NO.	PART NO.	DESCRIPTION	C	Q <sup>TY</sup>	V	REMARKS
1-1	84701-62A20-5PK	MIRROR, OUT RR VIEW RH (BLACK)	1	1		LHD (MANUAL)
1-2	84701-85C10-799	MIRROR, OUT RR VIEW RH (RED)	1	1		LHD (REMOCON)
1-3	84701-61A20-5PK	MIRROR, OUT RR VIEW RH (BLACK)	1	1		RHD (MANUAL)
1-4	84701-61A30-Y27	MIRROR, OUT RR VIEW RH (GRAY)	1	1		MY97, RHD (REMOCON)
1-5	84701-61A30-5PK	MIRROR, OUT RR VIEW RH (BLACK)	1	1		MY98: RHD (REMOCON) ,JX
1-6	84701-61A30-Y28	MIRROR, OUT RR VIEW RH (RED)	1	1		RHD (REMOCON)
1-7	84701-61A30-Y29	MIRROR, OUT RR VIEW RH (BLUE)	1	1		MY97, RHD (REMOCON)
1-8	84701-61A30-Y31	MIRROR, OUT RR VIEW RH (BLUE)	1	1		MY98, RHD (REMOCON)
1-9	84701-61A30-Y33	MIRROR, OUT RR VIEW RH (GREEN)	1	1		MY97, RHD (REMOCON)
1-10	84701-61A30-Y34	MIRROR, OUT RR VIEW RH (GREEN)	1	1		MY98, RHD (REMOCON)
1-11	84701-61A30-Z01	MIRROR, OUT RR VIEW RH (GREEN)	1	1		MY97, RHD (REMOCON)
1-12	84701-61A30-Z05	MIRROR, OUT RR VIEW RH	1	1		MY98, RHD (REMOCON) (VIOLET)
1-13	84701-61A30-0DG	MIRROR, OUT RR VIEW RH (BLACK)	1	1		RHD (REMOCON)
1-14	84701-61A30-0BM	MIRROR, OUT RR VIEW RH (BLUE)	1	1		MY98, RHD (REMOCON)
1-15	84701-61A30-0FT	MIRROR, OUT RR VIEW RH (RED)	1	1		RHD (REMOCON)
1-16	84701-61A30-26U	MIRROR, OUT RR VIEW RH (WHITE)	1	1		RHD (REMOCON)
2-1	84720-61A00	.MIRROR, SUB ASSY RH	1	1		MANUAL
2-2	84720-61A10	.MIRROR, SUB ASSY RH	1	1		LHD (REMOCON)
2-3	84720-61A10	.MIRROR, SUB ASSY RH	1	1		RHD (REMOCON)
3	03511-04103	.SCREW	1	1		
4-1	84702-62A20-5PK	MIRROR, OUT RR VIEW LH (BLACK)	1	1		LHD (MANUAL)
4-2	84702-85C10-799	MIRROR, OUT RR VIEW LH (RED)	1	1		LHD (REMOCON)
4-3	84702-61A20-5PK	MIRROR, OUT RR VIEW LH (BLACK)	1	1		RHD (MANUAL)
4-4	84702-61A30-Y27	MIRROR, OUT RR VIEW LH (GRAY)	1	1		MY97, RHD (REMOCON)
4-5	84702-61A30-5PK	MIRROR, OUT RR VIEW LH (BLACK)	1	1		MY98, RHD (REMOCON) ,JX
4-6	84702-61A30-Y28	MIRROR, OUT RR VIEW LH (RED)	1	1		RHD (REMOCON)
4-7	84702-61A30-Y29	MIRROR, OUT RR VIEW LH (BLUE)	1	1		MY97, RHD (REMOCON)
4-8	84702-61A30-Y31	MIRROR, OUT RR VIEW LH (BLUE)	1	1		MY98, RHD (REMOCON)
4-9	84702-61A30-Y33	MIRROR, OUT RR VIEW LH (GREEN)	1	1		MY97, RHD (REMOCON)
4-10	84702-61A30-Y34	MIRROR, OUT RR VIEW LH (GREEN)	1	1		MY98, RHD (REMOCON)
4-11	84702-61A30-Z01	MIRROR, OUT RR VIEW LH (GREEN)	1	1		MY97, RHD (REMOCON)
4-12	84702-61A30-Z05	MIRROR, OUT RR VIEW LH	1	1		MY98, RHD (REMOCON) (VIOLET)
4-13	84702-61A30-0DG	MIRROR, OUT RR VIEW LH (BLACK)	1	1		RHD (REMOCON)
4-14	84702-61A30-0BM	MIRROR, OUT RR VIEW LH (BLUE)	1	1		MY98, RHD (REMOCON)
4-15	84702-61A30-0FT	MIRROR, OUT RR VIEW LH (RED)	1	1		RHD (REMOCON)
4-16	84702-61A30-26U	MIRROR, OUT RR VIEW LH (WHITE)	1	1		RHD (REMOCON)
5-1	84760-61A00	.MIRROR, SUB ASSY LH	1	1		MANUAL
5-2	84760-61A10	.MIRROR, SUB ASSY LH	1	1		LHD (REMOCON)
5-3	84760-61A10	.MIRROR, SUB ASSY LH	1	1		RHD (REMOCON)

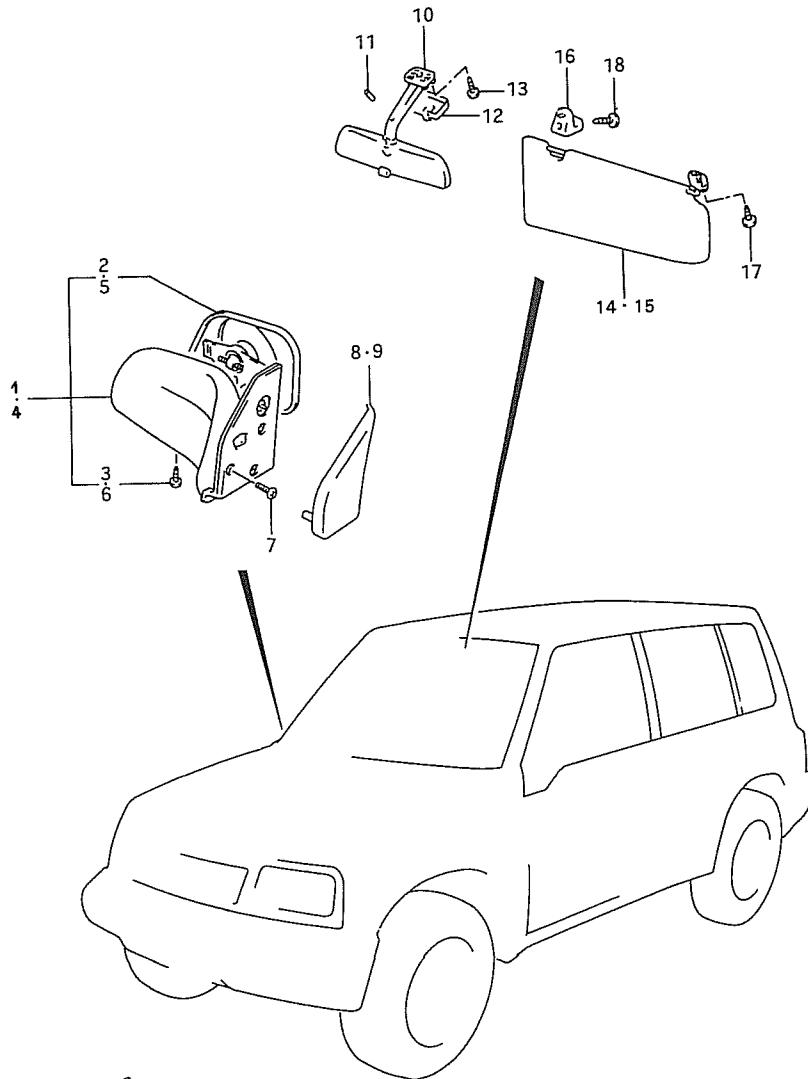
# FIG. 201

# FIG 201. MIRROR / SUN VISOR (3DR)



REF. NO.	PART NO.	DESCRIPTION	C	Q' TY	V	REMARKS
6	03511-04103	.SCREW	1	1		
7	01550-06123	SCREW	6	6		
8	84750-85C00-5PK	GARNISH, SASH BRKT INR RH	1	1		
9	84790-85C00-5PK	GARNISH, SASH BRKT INR LH	1	1		
10-1	84703-85C10-5PK	MIRROR, INSIDE RR VIEW (BLACK)	1	1		MY97,
10-2	84703-85C10-T01	MIRROR, INSIDE RR VIEW (GRAY)	1	1		MY98,
11	84782-85C00	RUBBER	1	1		
12-1	84781-60A00-5PK	COVER, MIRROR STAY (BLACK)	1	1		MY97,JX
12-2	84781-85C00-6GS	COVER, MIRROR STAY (GRAY)	1	1		MY98,JX
13	02142-05163	SCREW	2	2		
14-1	84800-60811-2WE	SUNVISOR SET, RH (GRAY)	1	1		MY97:JX
14-2	84800-60851-5UN	SUNVISOR SET, RH (GRAY)	1	1		MY97:LHD:JLX
14-3	84800-60811-5UN	SUNVISOR SET, RH (GRAY)	1	1		MY97:RHD:JLX
14-4	84801-60A00-6NY	SUNVISOR ASSY, RH (GRAY)	1	1		MY98:JX
14-5	84801-61A00-T18	SUNVISOR ASSY, RH (GRAY)	1	1		MY98:LHD:JLX
14-6	84801-69A20-T18	SUNVISOR ASSY, RH (GRAY)	1	1		MY98:LHD:JLX-W/CAUTION LA
14-7	84801-60A00-T18	SUNVISOR ASSY, RH (GRAY)	1	1		MY98:RHD:JLX
15-1	84800-60821-2WE	SUNVISOR SET, LH (GRAY)	1	1		MY97:JX
15-2	84800-60821-5UN	SUNVISOR SET, LH (GRAY)	1	1		MY97:LHD:JLX
15-3	84800-69820-5UN	SUNVISOR SET, LH (GRAY)	1	1		MY97:LHD:W/AIR BAG
15-4	84800-60841-5UN	SUNVISOR SET, LH (GRAY)	1	1		MY97:RHD:JLX
15-5	84802-60A00-6NY	SUNVISOR ASSY, LH (GRAY)	1	1		MY98:JX
15-6	84802-60A00-T18	SUNVISOR ASSY, LH (GRAY)	1	1		MY98:LHD:JLX
15-7	84802-69A02-T18	SUNVISOR ASSY, LH (GRAY)	1	1		MY98:LHD:W/AIR BAG
15-8	84802-61A00-T18	SUNVISOR ASSY, LH (GRAY)	1	1		MY98:RHD:JLX
16-1	84851-85C00	.HOLDER, SUNVISOR (BLACK)	2	2		MY97,
16-2	84851-60B00-6GS	HOLDER, SUNVISOR (GRAY)	2	2		MY98,
17-1	09139-05059	.SCREW, SUNVISOR	4	4		MY97
17-2	02122-05163	SCREW, SUNVISOR	4	4		MY98
18	03211-05163	SCREW, HOLDER	2	2		

# FIG. 202

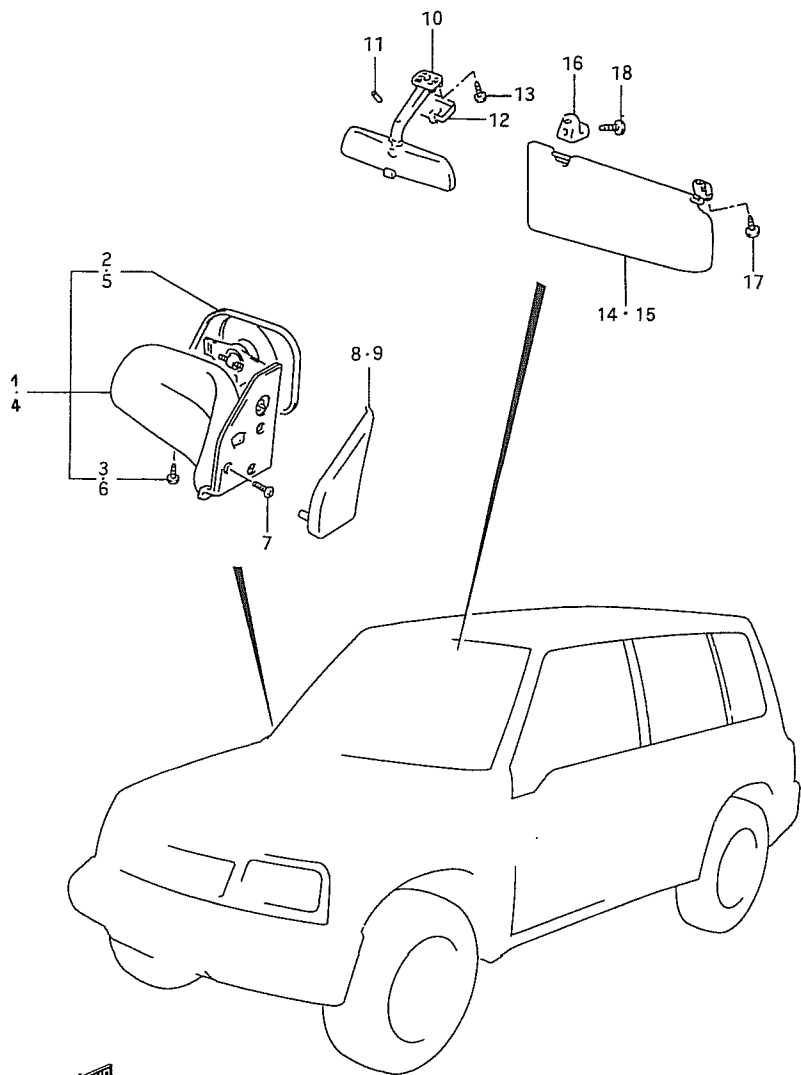


## FIG 202. MIRROR / SUN VISOR (5DR)

REF. NO.	PART NO.	DESCRIPTION	C	Q' TY	V	REMARKS
1-1	84701-57B20-5PK	MIRROR, OUT RR VIEW RH (BLACK)		1		LHD (MANUAL)
1-2	84701-57B30-Y27	MIRROR, OUT RR VIEW RH (GRAY)		1		MY97, LHD (REMOCON)
1-3	84701-57B30-Y28	MIRROR, OUT RR VIEW RH (RED)		1		MY98, LHD (REMOCON)
1-4	84701-57B30-Y29	MIRROR, OUT RR VIEW RH (BLUE)		1		MY97, LHD (REMOCON)
1-5	84701-57B30-Y31	MIRROR, OUT RR VIEW RH (BLUE)		1		MY98, LHD (REMOCON)
1-6	84701-57B30-Y33	MIRROR, OUT RR VIEW RH (GREEN)		1		MY97, LHD (REMOCON)
1-7	84701-57B30-Y34	MIRROR, OUT RR VIEW RH (GREEN)		1		MY98, LHD (REMOCON)
1-8	84701-57B30-Z01	MIRROR, OUT RR VIEW RH (GREEN)		1		MY97, LHD (REMOCON)
1-9	84701-57B30-Z05	MIRROR, OUT RR VIEW RH		1		MY98, LHD (REMOCON) (VIOLET)
1-10	84701-57B30-0FT	MIRROR, OUT RR VIEW RH (RED)		1		LHD (REMOCON)
1-11	84701-57B30-0EM	MIRROR, OUT RR VIEW RH (BLUE)		1		MY98, LHD (REMOCON)
1-12	84701-57B30-26U	MIRROR, OUT RR VIEW RH (WHITE)		1		LHD (REMOCON)
1-13	84701-57B30-0DG	MIRROR, OUT RR VIEW RH (BLACK)		1		MY98, LHD (REMOCON)
1-14	84701-56B30-Y27	MIRROR, OUT RR VIEW RH (GRAY)		1		MY97, RHD (REMOCON)
1-15	84701-56B30-Y29	MIRROR, OUT RR VIEW RH (BLUE)		1		MY97, RHD (REMOCON)
1-16	84701-56B30-Y33	MIRROR, OUT RR VIEW RH (GREEN)		1		MY97, RHD (REMOCON)
1-17	84701-56B30-Y28	MIRROR, OUT RR VIEW RH (RED)		1		MY98, RHD (REMOCON)
1-18	84701-56B30-Z01	MIRROR, OUT RR VIEW RH (GREEN)		1		MY97, RHD (REMOCON)
1-19	84701-56B30-Y31	MIRROR, OUT RR VIEW RH (BLUE)		1		MY98, RHD (REMOCON)
1-20	84701-56B30-0FT	MIRROR, OUT RR VIEW RH (RED)		1		RHD (REMOCON)
1-21	84701-56B30-Y34	MIRROR, OUT RR VIEW RH (GREEN)		1		MY98, RHD (REMOCON)
1-22	84701-56B30-26U	MIRROR, OUT RR VIEW RH (WHITE)		1		RHD (REMOCON)
1-23	84701-56B30-Z05	MIRROR, OUT RR VIEW RH (VIOLET)		1		MY98, RHD (REMOCON)
1-24	84701-56B30-0EM	MIRROR, OUT RR VIEW RH (BLUE)		1		MY98: RHD (REMOCON)
1-25	84701-56B30-0DG	MIRROR, OUT RR VIEW RH (BLACK)		1		MY98: RHD (REMOCON)
2-1	84720-61A00	.MIRROR, SUB ASSY RH		1		MANUAL
2-2	84720-61A10	.MIRROR, SUB ASSY RH		1		REMOCON
3	03511-04103	.SCREW		1		
4-1	84702-57B20-5PK	MIRROR, OUT RR VIEW LH (BLACK)		1		LHD (MANUAL)
4-2	84702-57B30-Y27	MIRROR, OUT RR VIEW LH (GRAY)		1		MY97, LHD (REMOCON)
4-3	84702-57B30-Y28	MIRROR, OUT RR VIEW LH (RED)		1		MY98, LHD (REMOCON)
4-4	84702-57B30-Y29	MIRROR, OUT RR VIEW LH (BLUE)		1		MY97, LHD (REMOCON)
4-5	84702-57B30-Y31	MIRROR, OUT RR VIEW LH (BLUE)		1		MY98, LHD (REMOCON)
4-6	84702-57B30-Y33	MIRROR, OUT RR VIEW LH (GREEN)		1		MY97, LHD (REMOCON)
4-7	84702-57B30-Y34	MIRROR, OUT RR VIEW LH (GREEN)		1		MY98, LHD (REMOCON)
4-8	84702-57B30-Z01	MIRROR, OUT RR VIEW LH (GREEN)		1		MY97, LHD (REMOCON)
4-9	84702-57B30-Z05	MIRROR, OUT RR VIEW LH		1		MY98, LHD (REMOCON) (VIOLET)
4-10	84702-57B30-0FT	MIRROR, OUT RR VIEW LH (RED)		1		LHD (REMOCON)
4-11	84702-57B30-0EM	MIRROR, OUT RR VIEW LH (BLUE)		1		MY98, LHD (REMOCON)



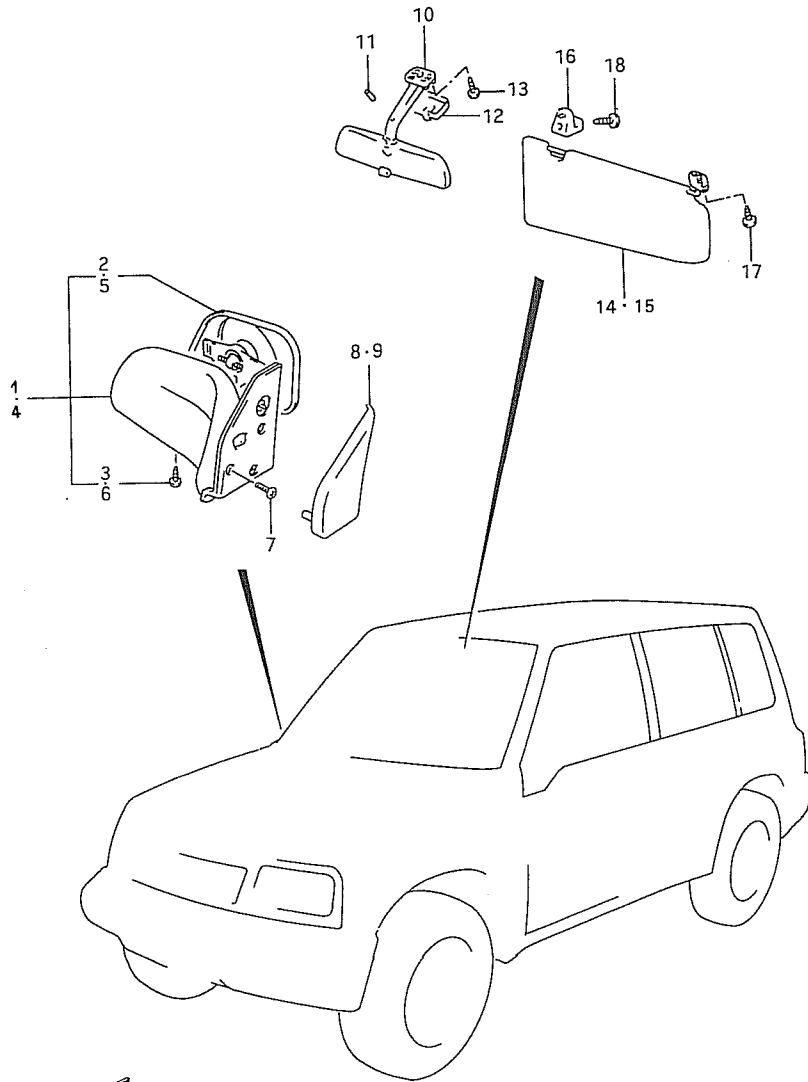
# FIG. 202



# FIG 202. MIRROR / SUN VISOR (5DR)

REF. NO.	PART NO.	DESCRIPTION	Q' TY		REMARKS
			C	V	
4-12	84702-57B30-26U	MIRROR, OUT RR VIEW LH (WHITE)		1	LHD (REMOCON)
4-13	84702-57B30-0DG	MIRROR, OUT RR VIEW LH (BLACK)		1	MY98, LHD (REMOCON)
4-14	84702-56B30-Y27	MIRROR, OUT RR VIEW LH (GRAY)		1	MY97, RHD (REMOCON)
4-15	84702-56B30-Y29	MIRROR, OUT RR VIEW LH (BLUE)		1	MY97, RHD (REMOCON)
4-16	84702-56B30-Y33	MIRROR, OUT RR VIEW LH (GREEN)		1	MY97, RHD (REMOCON)
4-17	84702-56B30-Y28	MIRROR, OUT RR VIEW LH (RED)		1	MY98, RHD (REMOCON)
4-18	84702-56B30-Z01	MIRROR, OUT RR VIEW LH (GREEN)		1	MY97, RHD (REMOCON)
4-19	84702-56B30-Y31	MIRROR, OUT RR VIEW LH (BLUE)		1	MY98, RHD (REMOCON)
4-20	84702-56B30-0FT	MIRROR, OUT RR VIEW LH (RED)		1	RHD (REMOCON)
4-21	84702-56B30-Y34	MIRROR, OUT RR VIEW LH (GREEN)		1	MY98, RHD (REMOCON)
4-22	84702-56B30-26U	MIRROR, OUT RR VIEW LH (WHITE)		1	RHD (REMOCON)
4-23	84702-56B30-205	MIRROR, OUT RR VIEW LH		1	MY98, RHD (REMOCON) (VIOLET)
4-24	84702-56B30-0BM	MIRROR, OUT RR VIEW LH (BLUE)		1	MY98:RHD (REMOCON)
4-25	84702-56B30-0DG	MIRROR, OUT RR VIEW LH (BLACK)		1	MY98:RHD (REMOCON)
5-1	84760-61A00	.MIRROR, SUB ASSY LH		1	MANUAL
5-2	84760-61A10	.MIRROR, SUB ASSY LH		1	REMOCON
6	03511-04103	.SCREW		1	
7	01550-06123	SCREW		6	
8	84750-57B00-5PK	GARNISH, SASH BRKT INR RH		1	
9	84790-57B00-5PK	GARNISH, SASH BRKT INR LH		1	
10-1	84703-85C10-5PK	MIRROR, INSIDE RR VIEW (BLACK)		1	MY97, LHD
10-2	84703-85C10-T01	MIRROR, INSIDE RR VIEW (GRAY)		1	MY98, LHD
10-3	84703-85C10-5PK	MIRROR, INSIDE RR VIEW (BLACK)		1	MY97, RHD
10-4	84703-62A01-T01	MIRROR, INSIDE RR VIEW (GRAY)		1	MY98, RHD
11	84782-85C00	RUBBER		1	
12-1	84781-60A00-5PK	COVER, MIRROR STAY (BLACK)		1	MY97, JX-JLX:W/SUN ROOF
12-2	84781-85C00-6GS	COVER, MIRROR STAY (GRAY)		1	MY98, JX-JLX:W/SUN ROOF
13	02142-05163	SCREW		2	
14-1	84800-60811-2WE	SUNVISOR SET, RH (GRAY)		1	MY97:JX
14-2	84800-60851-5UN	SUNVISOR SET, RH (GRAY)		1	MY97:LHD:JLX
14-3	84800-60811-5UN	SUNVISOR SET, RH (GRAY)		1	MY97:RHD:JLX
14-4	84801-60A00-6NY	SUNVISOR ASSY, RH (GRAY)		1	MY98:JX
14-5	84801-61A00-T18	SUNVISOR ASSY, RH (GRAY)		1	MY98:LHD:JLX
14-6	84801-69A20-T18	SUNVISOR ASSY, RH (GRAY)		1	MY98:LHD:JLX-W/CAUTION LA
14-7	84801-60A00-T18	SUNVISOR ASSY, RH (GRAY)		1	MY98:RHD:JLX
15-1	84800-60821-2WE	SUNVISOR SET, LH (GRAY)		1	MY97:JX
15-2	84800-60821-5UN	SUNVISOR SET, LH (GRAY)		1	MY97:LHD:JLX
15-3	84800-69820-5UN	SUNVISOR SET, LH (GRAY)		1	MY97:LHD:W/AIR BAG
15-4	84800-60841-5UN	SUNVISOR SET, LH (GRAY)		1	MY97:RHD:JLX

# FIG. 202

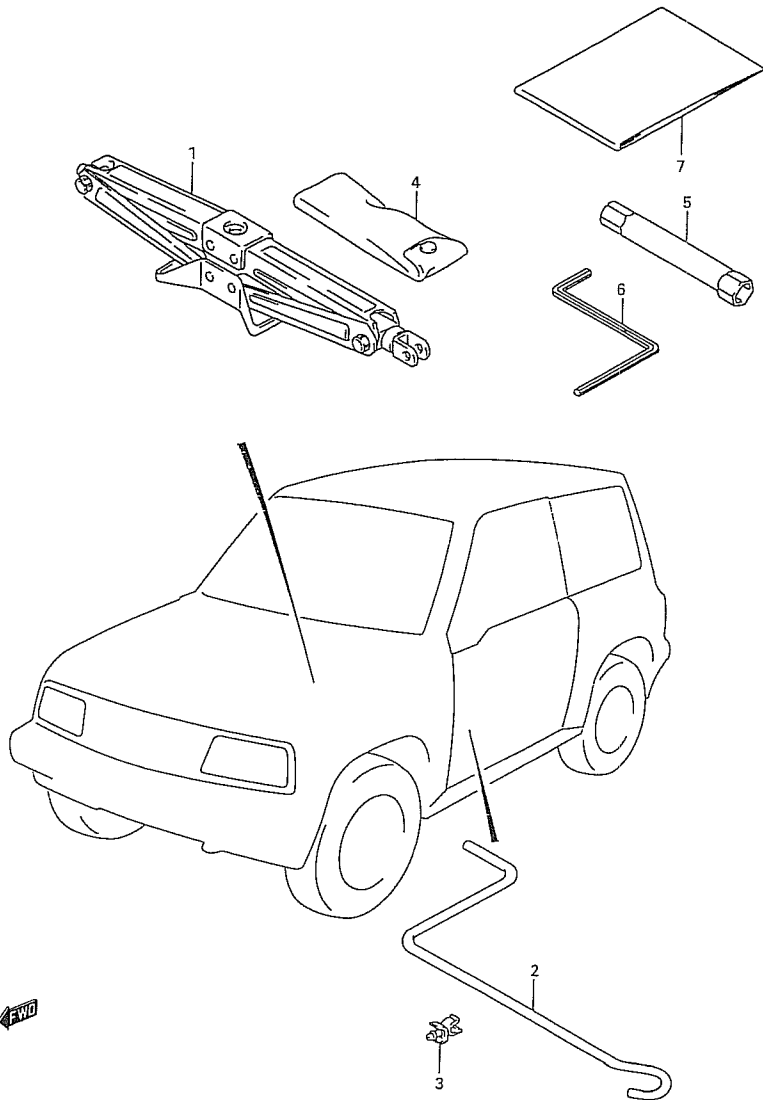


## FIG 202. MIRROR / SUN VISOR (5DR)

REF. NO.	PART NO.	DESCRIPTION	QTY		REMARKS
			C	V	
15-5	84802-60A00-6NY	SUNVISOR ASSY, LH (GRAY)		1	MY98:JX
15-6	84802-60A00-T18	SUNVISOR ASSY, LH (GRAY)		1	MY98:LHD:JLX
15-7	84802-69A02-T18	SUNVISOR ASSY, LH (GRAY)		1	MY98:LHD:W/AIR BAG
15-8	84802-61A00-T18	SUNVISOR ASSY, LH (GRAY)		1	MY98:RHD:JLX
16-1	84851-85C00	.HOLDER, SUNVISOR (BLACK)		2	MY97,
16-2	84851-60B00-6GS	HOLDER, SUNVISOR (GRAY)		2	MY98,
17-1	09139-05059	.SCREW, SUNVISOR		4	MY97
17-2	02122-05163	SCREW, SUNVISOR		4	MY98
18	03211-05163	SCREW, HOLDER		2	



# FIG. 203

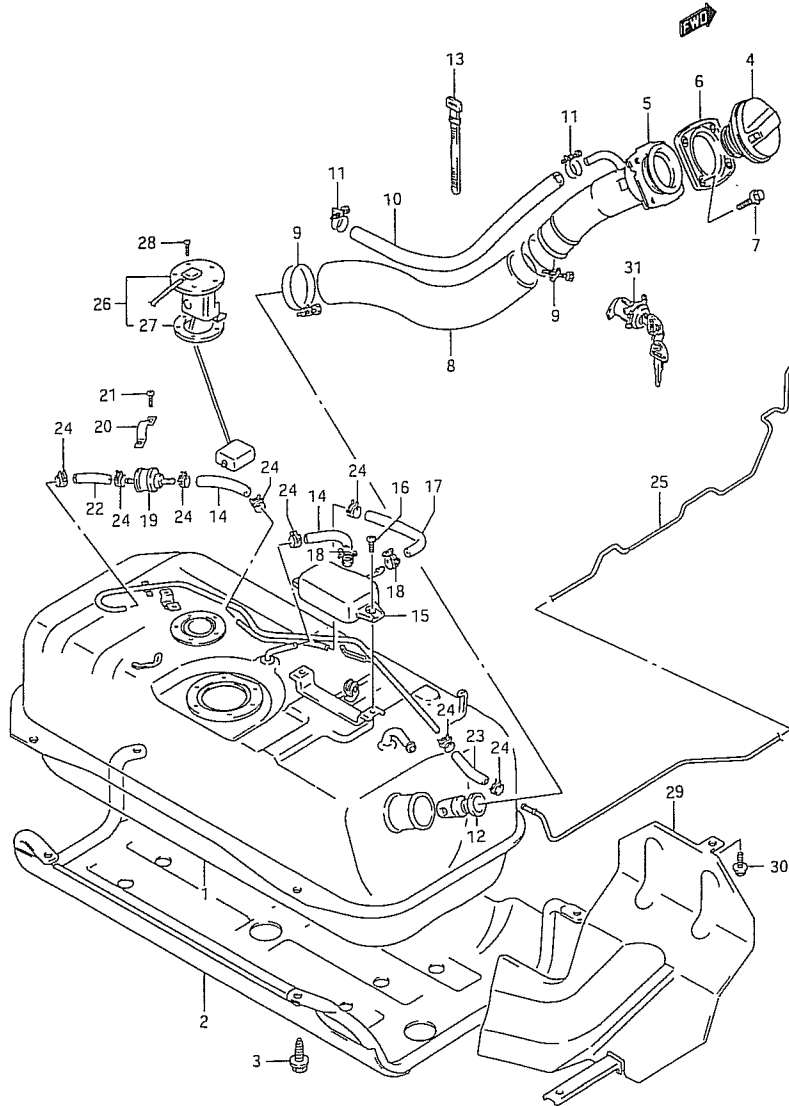


## FIG 203. JACK AND TOOL

REF. NO.	PART NO.	DESCRIPTION	Q' TY		REMARKS
			C	V	
1	89968-85C00	JACK ASSY	1	1	
2	89931-85C00	HANDLE, JACK	1	1	
3	09403-08323	CLAMP, JACK HANDLE	3	3	
4-1	52519-00000	TOOL	1	1	MY97
4-2	89960-85C40	TOOL	1	1	MY98:WHEEL WRENCH 19
4-3	89960-85C00	TOOL	1	1	MY97,W/WIDE
5-1	09816-00141	BOX SPANNER, 16	1	1	OPT
5-2	09816-00160	BOX SPANNER, 21	1	1	OPT
6	09816-00125	HANDLE, SLIDING ROOF	-	1	OPT:W/SUN ROOF
7-1	00000A01209	MANUAL, OWNER'S	1	1	SPANISH
7-2	00000A01209F	MANUAL, OWNER'S	1	1	FRENCH
7-3	00000A01209IN	MANUAL, OWNER'S	1	1	ENGLISH
7-4	00000A01209G	MANUAL, OWNER'S	1	1	GERMAN
7-5	00000A01209D	MANUAL, OWNER'S	1	1	HOLLAND
7-6	00000A01209IT	MANUAL, OWNER'S	1	1	ITALIAN

# FIG. 204

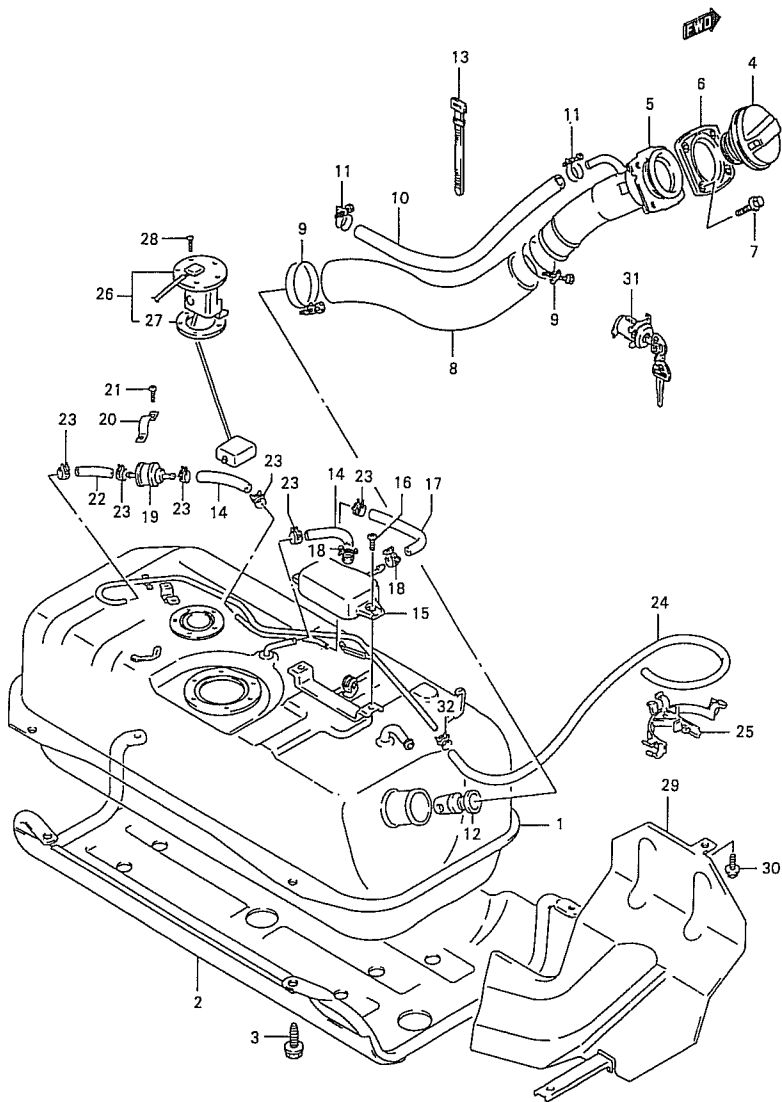
## FIG 204. FUEL TANK (3DR: W/FUEL INJECTION)



REF. NO.	PART NO.	DESCRIPTION	Q' TY		REMARKS
			C	V	
1-1	89101-85C00	TANK ASSY, FUEL	1	1	PETROL
1-2	89101-86CA2	TANK ASSY, FUEL	1	1	T.DIESEL
2	89320-85C00	PROTECTOR, FUEL TANK	1	1	
3-1	09118-10068	BOLT (10X30)	4	4	MY97,
3-2	09118-10052	BOLT (10X30)	4	4	MY98,
4	89260-65AB0	CAP ASSY, FUEL FILLER	1	1	
5-1	89201-85C00	NECK, FUEL FILLER	1	1	MY97
5-2	89210-85C30	NECK, FUEL FILLER	1	1	MY98
6	89285-82000	PACKING, FUEL FILLER NECK	1	1	
7	09116-05014	BOLT	4	4	
8	89241-85C00	HOSE, FUEL TANK FILLER	1	1	
9	09400-52312	CLAMP	2	2	
10-1	09355-13207-600	HOSE, TANK BREATHER	1	1	MY97, L:600>520
10-2	09355-13205-600	HOSE, TANK BREATHER	1	1	MY98, L:600>520
11	11196-85C00	CLAMP	2	2	
12	89280-60A00	VLAVE, FUEL TANK INLET	1	1	
13	89285-85C00	CLAMP	1	1	
14	09355-54115-600	HOSE	2	2	L:600>140
15	89411-60A01	SEPARATOR, FUEL AND VAPOR	1	1	
16	02142-05083	SCREW	2	2	
17	09355-54115-600	HOSE	1	1	L:600>125
18	89495-85C00	CLIP	2	2	
19	85451-75100	VLAVE, 2 WAY CHECK	1	1	
20	89485-60A00	CLAMP, CHECK VALVE	1	1	
21	15329-85C00	SCREW	2	2	
22	09355-54115-600	HOSE	1	1	L:600>100
23	09355-54115-600	HOSE	1	1	L:600>140
24	89495-85C00	CLIP	8	8	
25	89430-61A10	PIPE, EVAPORATION MAIN	1	1	
26	34810-60A11	GAUGE ASSY, FUEL LEVEL	1	1	
27	34825-67012	.GASKET	1	1	
28	15329-85C00	SCREW	5	5	
29	89311-60A10	PROTECTOR, FUEL FILLER HOSE	1	1	
30	89316-85C00	SCREW	3	3	
31	89300-60802	CYLINDER SET, FUEL LID LOCK	1	1	

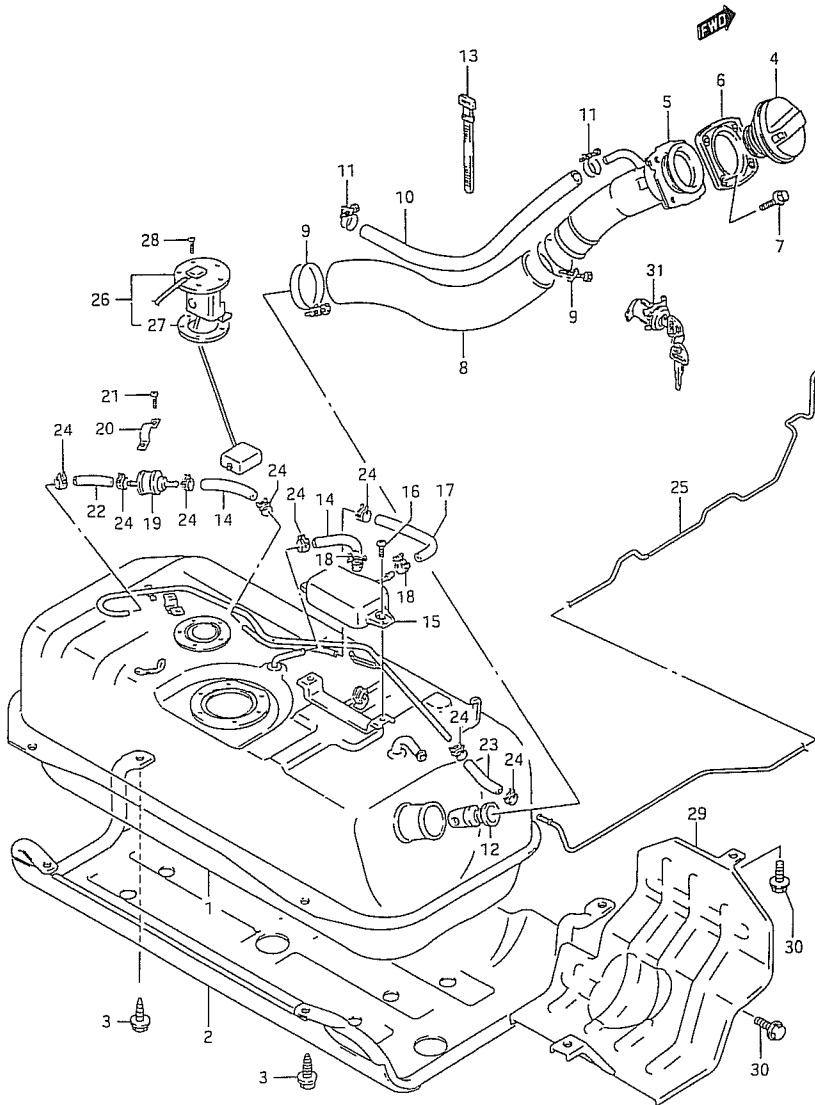
# FIG. 205

# FIG 205. FUEL TANK (3DR: W/CARBURETOR)



REF. NO.	PART NO.	DESCRIPTION	Q' TY		REMARKS
			C	V	
1	89101-64A10	TANK ASSY, FUEL	1	1	
2	89320-85C00	PROTECTOR, FUEL TANK	1	1	
3	09118-10052	BOLT (10X30)	4	4	
4	89260-65AB0	CAP ASSY, FUEL FILLER	1	1	
5-1	89201-60A00	NECK, FUEL FILLER	1	1	MY97
5-2	89210-85C20	NECK, FUEL FILLER	1	1	MY98
6	89285-82000	PACKING, FUEL FILLER NECK	1	1	
7	09116-05014	BOLT	4	4	
8	89241-85C00	HOSE, FUEL TANK FILLER	1	1	
9	09400-52312	CLAMP	2	2	
10	09355-13205-600	HOSE, TANK BREATHER	1	1	L:600>520
11	11196-85C00	CLAMP	2	2	
12	89280-60A00	VALVE, FUEL TANK INLET	1	1	
13	89285-85C00	CLAMP	1	1	
14	09355-54115-600	HOSE	2	2	L:600>140
15	89411-60A01	SEPARATOR, FUEL AND VAPOR	1	1	
16	02142-05083	SCREW	2	2	
17	09355-54115-600	HOSE	1	1	L:600>125
18	89495-85C00	CLIP	2	2	
19	85451-75100	VLAVE, 2 WAY CHECK	1	1	
20	89485-60A00	CLAMP, CHECK VALVE	1	1	
21	15329-85C00	SCREW	2	2	
22	09355-54115-600	HOSE	1	1	L:600>100
23	89495-85C00	CLIP	6	6	
24	09355-54115-00B	HOSE	1	1	L:2000>680
25	89411-61A00	HOLDER, CHECK VALVE OUT HOSE	1	1	
26	34810-60A11	GAUGE ASSY, FUEL LEVEL	1	1	
27	34825-67012	.GASKET	1	1	
28	15329-85C00	SCREW	5	5	
29	89311-60A10	PROTECTOR, FUEL FILLER HOSE	1	1	
30	89316-85C00	SCREW	3	3	
31	89300-60802	CYLINDER SET, FUEL LID LOCK	1	-	
32	89495-85C00	CLIP	1	1	

# FIG. 206

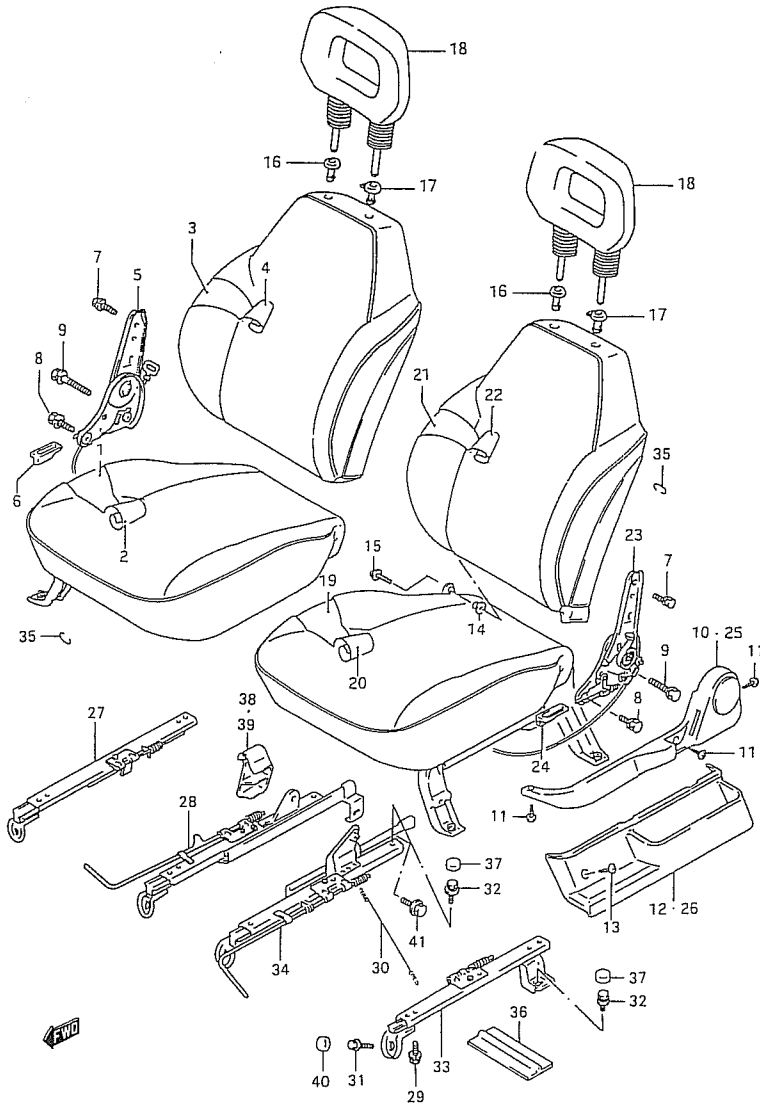


## FIG 206. FUEL TANK (5DR)

REF. NO.	PART NO.	DESCRIPTION	Q' TY		REMARKS
			C	V	
1-1	89101-57B12	TANK ASSY, FUEL		1	PETROL
1-2	89101-86CB0	TANK ASSY, FUEL		1	T.DIESEL
2	89320-56B00	PROTECTOR, FUEL TANK		1	
3-1	09118-10068	BOLT (10X25)		4	MY97,
3-2	09118-10052	BOLT (10X30)		4	MY98,
4	89260-65AB0	CAP ASSY, FUEL FILLER		1	
5-1	89201-85C00	NECK, FUEL FILLER		1	MY97
5-2	89210-85C30	NECK, FUEL FILLER		1	MY98
6	89285-82000	PACKING, FUEL FILLER NECK		1	
7	09116-05014	BOLT (5X20)		4	
8	89241-56B00	HOSE, FUEL TANK FILLER		1	
9	09400-52312	CLAMP		2	
10	89291-56B00	HOSE, TANK BREATHER		1	
11	11196-85C00	CLAMP		2	
12	89280-60A00	VLAVE, FUEL TANK INLET		1	
13	89285-85C00	CLAMP		1	
14	09355-54115-600	HOSE		2	L:600>140
15	89411-60A01	SEPARATOR, FUEL AND VAPOR		1	
16	02142-05083	SCREW		2	
17	09355-54115-600	HOSE		1	L:600>125
18	89495-85C00	CLIP		2	
19	85451-75100	VLAVE, 2 WAY CHECK		1	
20	89485-60A00	CLAMP, CHECK VALVE		1	
21	15329-85C00	SCREW		2	
22	09355-54115-600	HOSE		1	L:600>100
23	09355-54115-600	HOSE		1	L:600>140
24	89495-85C00	CLIP		8	
25	89430-56B00	PIPE, EVAPORATION MAIN		1	
26	34810-60A11	GAUGE ASSY, FUEL LEVEL		1	
27	34825-67012	.GASKET		1	
28	15329-85C00	SCREW		5	
29	89310-56B10	PROTECTOR, FUEL FILLER HOSE		1	
30	01550-06123	BOLT		2	
31	89300-60802	CYLINDER SET, FUEL LID LOCK		1	JX

# FIG. 207

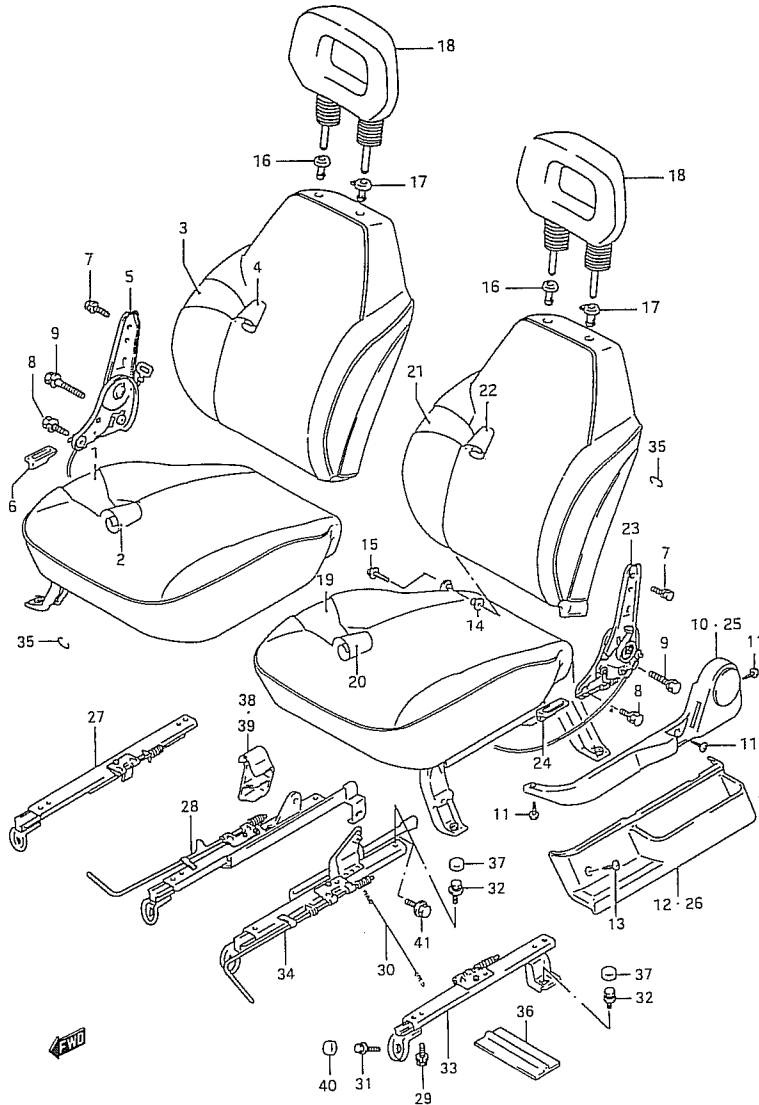
# FIG 207. FRONT SEAT (3DR)



REF. NO.	PART NO.	DESCRIPTION	Q' TY		REMARKS
			C	V	
1	85105-85C00	CUSHION SUB ASSY, RH	1	1	
2-1	85180-85C00-TX1	COVER, CUSHION RH	1	1	LHD:MY97:JLX
2-2	85180-85C00-TX2	COVER, CUSHION RH	1	1	LHD:MY97:JX
2-3	85180-85C00-H8N	COVER, CUSHION RH	1	1	LHD:MY98:JLX
2-4	85180-85C10-H8N	COVER, CUSHION RH	1	1	LHD:MY98:JX
2-5	85680-85C00-TX1	COVER, CUSHION RH	1	1	RHD:MY97:JLX
2-6	85680-85C00-TX2	COVER, CUSHION RH	1	1	RHD:MY97:JX
2-7	85680-85C00-H8N	COVER, CUSHION RH	1	1	RHD:MY98:JLX
2-8	85680-85C10-H8N	COVER, CUSHION RH	1	1	RHD:MY98:JX
3	85305-85C00	BACK SUB ASSY, RH	1	1	
4-1	85380-85C00-TX1	COVER, BACK RH	1	1	MY97, JLX
4-2	85380-85C00-TX2	COVER, BACK RH	1	1	MY97, JX
4-3	85380-85C00-H8N	COVER, BACK RH	1	1	MY98, JLX
4-4	85380-85C10-H8N	COVER, BACK RH	1	1	MY98, JX
5-1	85210-61A10	RECLINING ASSY, RH	1	1	LHD
5-2	85210-56B10	RECLINING ASSY, RH	1	1	RHD
6-1	85211-60A10	KNOB, RECLINING RH (BLACK)	1	1	MY97,
6-2	85211-60A10-T01	KNOB, RECLINING RH (GRAY)	1	1	MY98,
7	01137-08166	BOLT	4	4	
8	01137-10166	BOLT	2	2	
9	01137-08166	BOLT	2	2	
10-1	85221-60A10	COVER, RECLINING RH (BLACK)	1	1	MY97,
10-2	85221-60A10-T01	COVER, RECLINING RH (GRAY)	1	1	MY98,
11	59941-85C00	SCREW	6	6	
12-1	85222-60A10-5ES	COVER, SEAT SIDE RH (BLACK)	1	1	MY97,
12-2	85222-60A10-T01	COVER, SEAT SIDE RH (GRAY)	1	1	MY98,
13	59941-85C00	SCREW	4	4	
14	85291-85C00	BUSH, SEAT BACK FIXING	2	2	
15	09136-06004	SCREW (6X12)	2	2	
16	85391-60A10-5PK	GUIDE, HEADRESTRAINT RH	2	2	
17	85890-60A10-5PK	GUIDE, HEADRESTRAINT LH	2	2	
18-1	86401-60A10-5GF	HEADRESTRAINT ASSY (DARK GRAY)	2	2	MY97,
18-2	86401-85C00-T02	HEADRESTRAINT ASSY (GRAY)	2	2	MY98,
19	85106-85C00	CUSHION SUB ASSY, LH	1	1	
20-1	85680-85C00-TX1	COVER, CUSHION RH	1	1	LHD:MY97:JLX
20-2	85680-85C00-TX2	COVER, CUSHION RH	1	1	LHD:MY97:JX
20-3	85680-85C00-H8N	COVER, CUSHION LH	1	1	LHD:MY98:JLX
20-4	85680-85C10-H8N	COVER, CUSHION LH	1	1	LHD:MY98:JX
20-5	85180-85C00-TX1	COVER, CUSHION LH	1	1	RHD:MY97:JLX
20-6	85180-85C00-TX2	COVER, CUSHION LH	1	1	LHD:MY97:JX
20-7	85180-85C00-H8N	COVER, CUSHION LH	1	1	LHD:MY98:JLX

# FIG. 207

## FIG 207. FRONT SEAT (3DR)

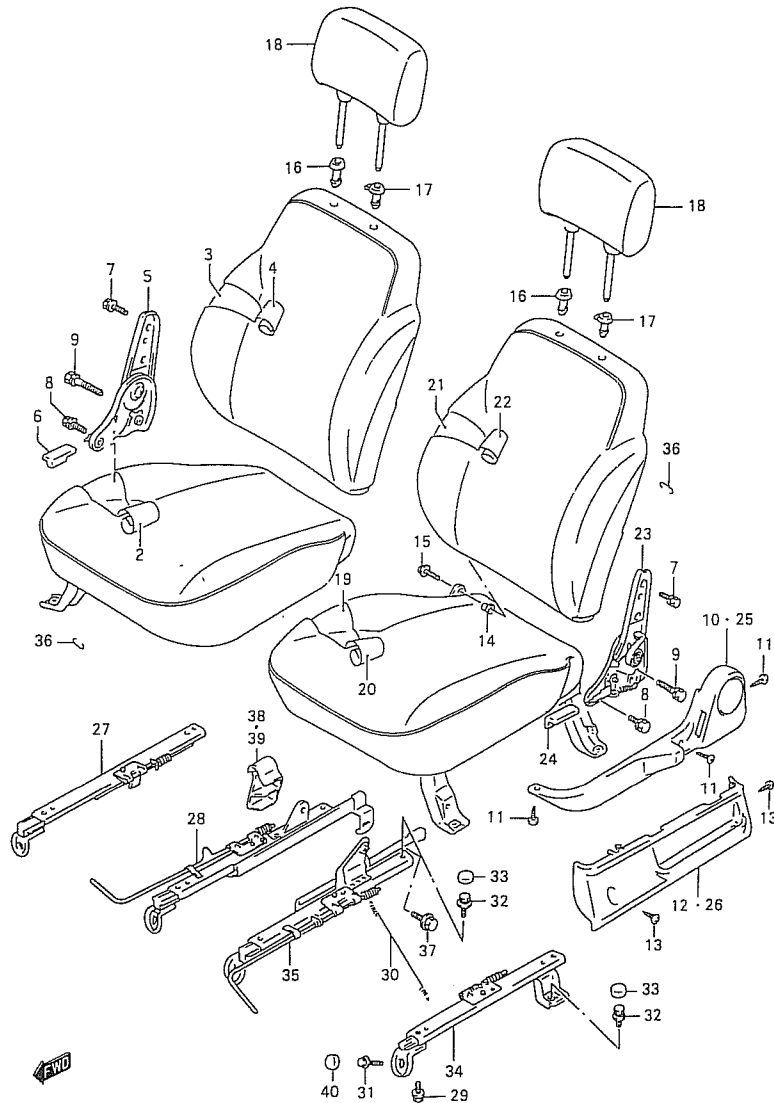


REF. NO.	PART NO.	DESCRIPTION	QTY		REMARKS
			C	V	
20-8	85180-85C10-H8N	COVER, CUSHION LH	1	1	LHD:MY98:JX
21	85306-85C00	BACK SUB ASSY, LH	1	1	
22-1	85380-85C00-TX1	COVER, BACK LH	1	1	MY97:JLX
22-2	85380-85C00-TX2	COVER, BACK LH	1	1	MY97:JX
22-3	85380-85C00-H8N	COVER, BACK LH	1	1	MY98:JLX
22-4	85380-85C10-H8N	COVER, BACK LH	1	1	MY98:JX
23-1	85710-61A10	RECLINING ASSY, LH	1	1	RHD
23-2	85710-56B10	RECLINING ASSY, LH	1	1	LHD
24-1	85711-60A10-5ES	KNOB, RECLINING LH (BLACK)	1	1	MY97,
24-2	85711-60A10-T01	KNOB, RECLINING LH (GRAY)	1	1	MY98,
25-1	85721-60A10	COVER, RECLINING LH (BLACK)	1	1	MY97,
25-2	85721-60A10-T01	COVER, RECLINING LH (GRAY)	1	1	MY98,
26-1	85722-60A10	COVER, SEAT SIDE LH (BLACK)	1	1	MY97,
26-2	85722-60A10-T01	COVER, SEAT SIDE LH (GRAY)	1	1	MY98,
27	86830-56B10	ADJUSTER, RH SEAT OUTSIDE	1	1	
28-1	86610-70E10	ADJUSTER, RH SEAT INSIDE	1	1	LHD
28-2	86610-70E00	ADJUSTER, RH SEAT INSIDE	1	1	RHD
29	86724-60A00	BOLT, SEAT	8	8	
30	86731-60A00	WIRE, ADJUSTER	2	2	
31	09118-08084	BOLT (8X20)	4	4	
32	86726-85C00	BOLT, RAIL REAR	4	4	
33	86630-56B10	ADJUSTER, LH SEAT OUTSIDE	1	1	
34-1	86810-70E00	ADJUSTER, LH SEAT INSIDE	1	1	LHD
34-2	86810-70E10	ADJUSTER, LH SEAT INSIDE	1	1	RHD
35	09387-86C00	RING	AR	AR	
36	09407-10403	CLAMP, WALK IN CABLE	1	1	
37	86615-85C00	CAP, SLIDE ADJUSTER	4	4	
38-1	86735-70E00-5PK	COVER, ADJUSTER ANCHOR RH	1	1	MY97,
38-2	86735-70E00-T01	COVER, ADJUSTER ANCHOR RH	1	1	MY98,
39-1	86736-70E00-5PK	COVER, ADJUSTER ANCHOR LH	1	1	MY97,
39-2	86736-70E00-T01	COVER, ADJUSTER ANCHOR LH	1	1	MY98,
40	86615-85C00	CAP, SLIDE ADJUSTER FRONT	4	4	
41	09103-10280	BOLT (10X25)	2	2	



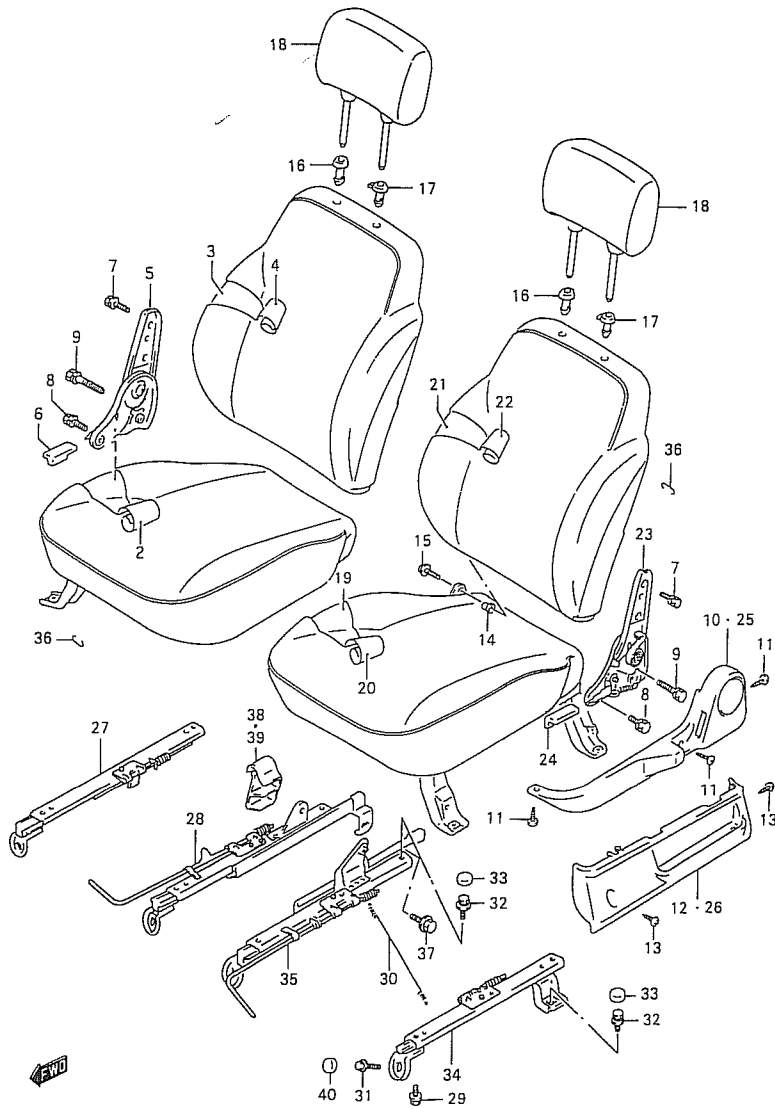
# FIG. 208

# FIG 208. FRONT SEAT (5DR)



REF. NO.	PART NO.	DESCRIPTION	QTY		REMARKS
			C	V	
22-4	85880-86C00-H8N	COVER, BACK LH		1	MY98:JX
23	85710-60A50	RECLINING ASSY, LH		1	
24-1	85711-60A10-5ES	KNOB, RECLINING LH (BLACK)		1	MY97,
24-2	85711-60A10-T01	KNOB, RECLINING LH (GRAY)		1	MY98,
25-1	85721-60A10	COVER, RECLINING LH (BLACK)		1	MY97,
25-2	85721-60A10-T01	COVER, RECLINING LH (GRAY)		1	MY98,
26-1	85722-56B10-5ES	COVER, SEAT SIDE LH (BLACK)		1	MY97,
26-2	85722-56B10-T01	COVER, SEAT SIDE LH (GRAY)		1	MY98,
27	86610-56B50	ADJUSTER, RH SEAT OUTSIDE		1	
28	86610-70E00	ADJUSTER, RH SEAT INSIDE		1	
29	86724-60A00	BOLT, SEAT		8	
30	86731-56B00	WIRE, ADJUSTER		2	
31	09118-08084	BOLT (8X20)		4	
32	86726-85C00	BOLT, RAIL REAR		4	
33	86615-85C00	CAP		2	
34	86810-56B50	ADJUSTER, LH SEAT OUTSIDE		1	
35	86810-70E00	ADJUSTER, LH SEAT INSIDE		1	
36	09387-86C00	RING		AR	
37	09103-10280	BOLT (10X25)		2	
38-1	86735-70E00	COVER, ADJUSTER RH		1	MY97,
38-2	86735-70E00-T01	COVER, ADJUSTER RH (GRAY)		1	MY98,
39-1	86736-70E00	COVER, ADJUSTER LH		1	MY97,
39-2	86736-70E00-T01	COVER, ADJUSTER LH (GRAY)		1	MY98,
40	86615-85C00	CAP, SLIDE ADJUSTER FRONT		4	

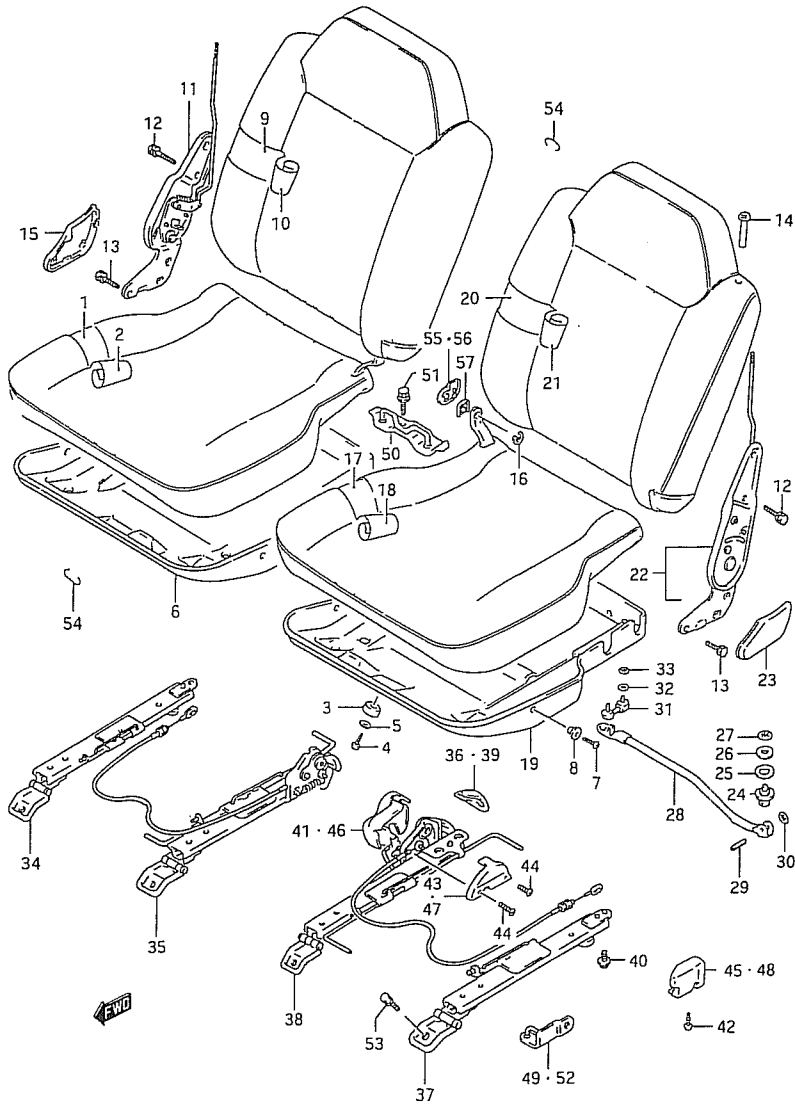
# FIG. 208



## FIG 208. FRONT SEAT (5DR)

REF. NO.	PART NO.	DESCRIPTION	QTY		REMARKS
			C	V	
1	85105-86C00	CUSHION SUB ASSY, RH		1	
2-1	85180-86C10-TX4	COVER, CUSHION RH		1	MY97:JLX
2-2	85180-86C00-TX4	COVER, CUSHION RH		1	MY97:JX
2-3	85180-86C10-H8N	COVER, CUSHION RH		1	MY98:JLX
2-4	85180-86C00-H8N	COVER, CUSHION RH		1	MY98:JX
3-1	85305-86C00	BACK SUB ASSY, RH		1	MY97
3-2	85305-56B12	BACK SUB ASSY, RH		1	MY98
4-1	85380-86C10-TX4	COVER, BACK RH		1	MY97:JLX
4-2	85380-86C00-TX4	COVER, BACK RH		1	MY97:JX
4-3	85380-86C10-H8N	COVER, BACK RH		1	MY98:JLX
4-4	85380-86C00-H8N	COVER, BACK RH		1	MY98:JX
5	85210-56B10	RECLINING ASSY, RH		1	
6-1	85211-60A10	KNOB, RECLINING RH (BLACK)		1	MY97,
6-2	85211-60A10-T01	KNOB, RECLINING RH (GRAY)		1	MY98,
7	01500-0B163	BOLT		4	
8	01570-10253	BOLT		2	
9	01500-10403	BOLT		2	
10-1	85221-60A10	COVER, RECLINING RH (BLACK)		1	MY97,
10-2	85221-60A10-T01	COVER, RECLINING RH (GRAY)		1	MY98,
11	59941-85C00	SCREW		6	
12-1	85222-56B10-5ES	COVER, SEAT SIDE RH		1	MY97,
12-2	85222-56B10-T01	COVER, SEAT SIDE RH (GRAY)		1	MY98,
13	59941-85C00	SCREW		4	
14	85291-85C00	BUSH, SEAT BACK FIXING		2	
15	09136-06004	SCREW (6X12)		2	
16	85341-72C10-5PK	GUIDE, HEADRESTRAINT RH		2	
17	85840-72C10-5PK	GUIDE, HEADRESTRAINT LH		2	
18-1	86401-56B20-5GF	HEADRESTRAINT ASSY		2	MY97,JX
18-2	86401-85C00-T02	HEADRESTRAINT ASSY		2	MY98,JX
18-3	86401-56B10-P96	HEADRESTRAINT ASSY		2	MY97,JLX
18-4	86401-86C00-T77	HEADRESTRAINT ASSY		2	MY98,JLX
19	85106-86C00	CUSHION SUB ASSY, LH		1	
20-1	85680-86C10-TX4	COVER, CUSHION LH		1	MY97:JLX
20-2	85680-86C00-TX4	COVER, CUSHION LH		1	MY97:JX
20-3	85680-86C10-H8N	COVER, CUSHION LH		1	MY98:JLX
20-4	85680-86C00-H8N	COVER, CUSHION LH		1	MY98:JX
21-1	85306-86C00	BACK SUB ASSY, LH		1	MY97
21-2	85306-56B12	BACK SUB ASSY, LH		1	MY98
22-1	85880-86C10-TX4	COVER, BACK LH		1	MY97:JLX
22-2	85880-86C00-TX4	COVER, BACK LH		1	MY97:JX
22-3	85880-86C10-H8N	COVER, BACK LH		1	MY98:JLX

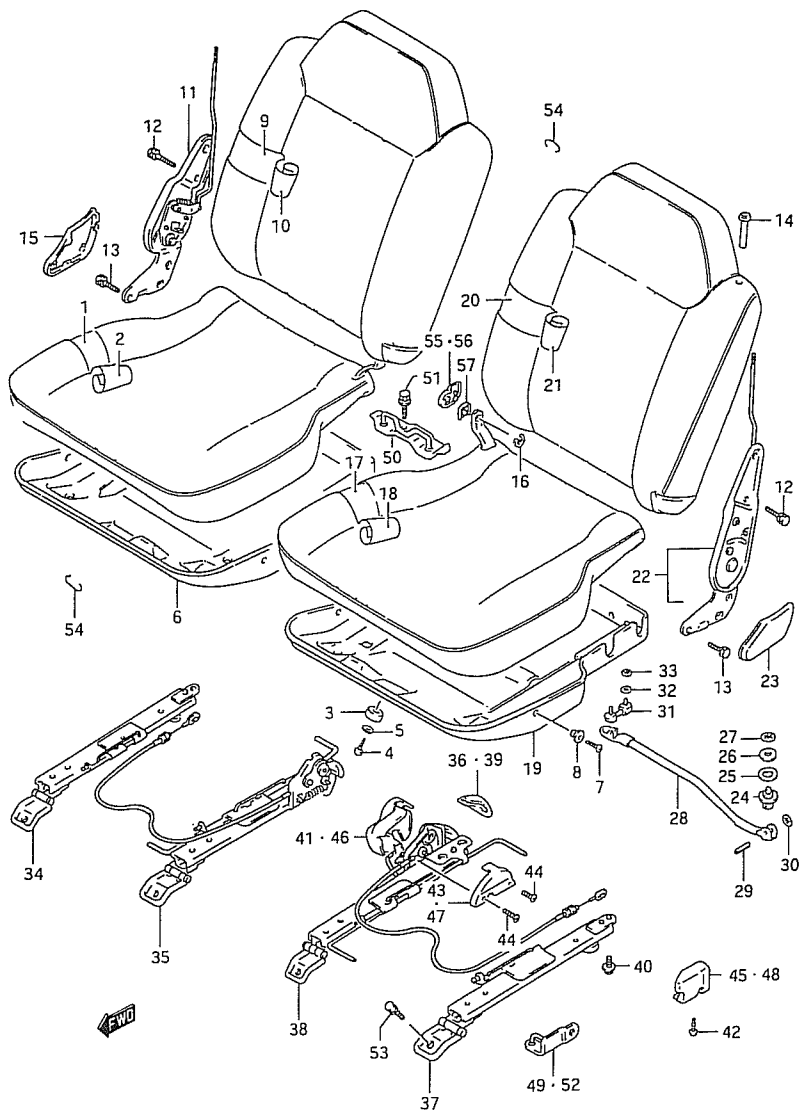
# FIG. 209



# FIG 209. REAR SEAT (3DR)

REF. NO.	PART NO.	DESCRIPTION	C	Q' TV	V	REMARKS
1	87105-60A51	CUSHION SUB ASSY, RH	1	1		
2-1	87180-85C00-TX3	COVER, CUSHION RH	1	1		MY97, JX
2-2	87180-85C00-TX1	COVER, CUSHION RH	1	1		MY97, JLX
2-3	87180-85C00-J0U	COVER, CUSHION RH	1	1		MY98, JX
2-4	87180-85C00-H8N	COVER, CUSHION RH	1	1		MY98, JLX
3	87291-60A10	CUSHION	2	2		
4	59941-85C00	SCREW	2	2		
5	08322-01053	WASHER	2	2		
6-1	87191-60A51-5PK	BOARD, CUSHION UNDER RH	1	1		MY97, (BLACK)
6-2	87191-70E00-T01	BOARD, CUSHION UNDER RH (GRAY)	1	1		MY98,
7	02142-05163	SCREW	8	8		
8	09169-06071	WASHER	8	8		
9	87305-85C00	BACK SUB ASSY, RH	1	1		
10-1	87380-85C00-TX3	COVER, BACK RH	1	1		MY97, JX
10-2	87380-85C00-TX1	COVER, BACK RH	1	1		MY97, JLX
10-3	87380-85C00-J0U	COVER, BACK RH	1	1		MY98, JX
10-4	87380-85C00-H8N	COVER, BACK RH	1	1		MY98, JLX
11-1	87210-60A12-5PK	RECLINING ASSY, RH	1	1		MY97,
11-2	87210-70E00	RECLINING ASSY, RH	1	1		MY98,
12	01500-08163	BOLT	4	4		
13	01500-08163	BOLT	4	4		
14-1	87211-60A10-5PK	KNOB, SEAT BACK (BLACK)	2	2		MY97,
14-2	87211-70E00-T01	KNOB, SEAT BACK (GRAY)	2	2		MY98,
15-1	87221-60A10-5PK	COVER, RECLINING LOWER RH	1	1		MY97, (BLACK)
15-2	87221-70E00-5PK	COVER, RECLINING LOWER RH	1	1		MY98, (BLACK)
16	08332-11086	E RING	2	2		
17	87106-85C00	CUSHION SUB ASSY, LH	1	1		
18-1	87580-85C00-TX3	COVER, CUSHION LH	1	1		MY97, JX
18-2	87580-85C00-TX1	COVER, CUSHION LH	1	1		MY97, JLX
18-3	87580-85C00-J0U	COVER, CUSHION LH	1	1		MY98, JX
18-4	87580-85C00-H8N	COVER, CUSHION LH	1	1		MY98, JLX
19-1	87591-60A51-5PK	BOARD, CUSHION UNDER LH	1	1		MY97, (BLACK)
19-2	87591-70E00-T01	BOARD, CUSHION UNDER LH	1	1		MY98, (GRAY)
20-1	87306-60A10	BACK SUB ASSY, LH	1	1		MY97,
20-2	87306-85C00	BACK SUB ASSY, LH	1	1		MY98,
21-1	87780-85C00-TX3	COVER, BACK LH	1	1		MY97, JX
21-2	87780-85C00-TX1	COVER, BACK LH	1	1		MY97, JLX
21-3	87780-85C00-J0U	COVER, BACK LH	1	1		MY98, JX
21-4	87780-85C00-H8N	COVER, BACK LH	1	1		MY98, JLX
22-1	87610-60A12-5PK	RECLINING ASSY, LH	1	1		MY97,
22-2	87610-70E00	RECLINING ASSY, LH	1	1		MY98,

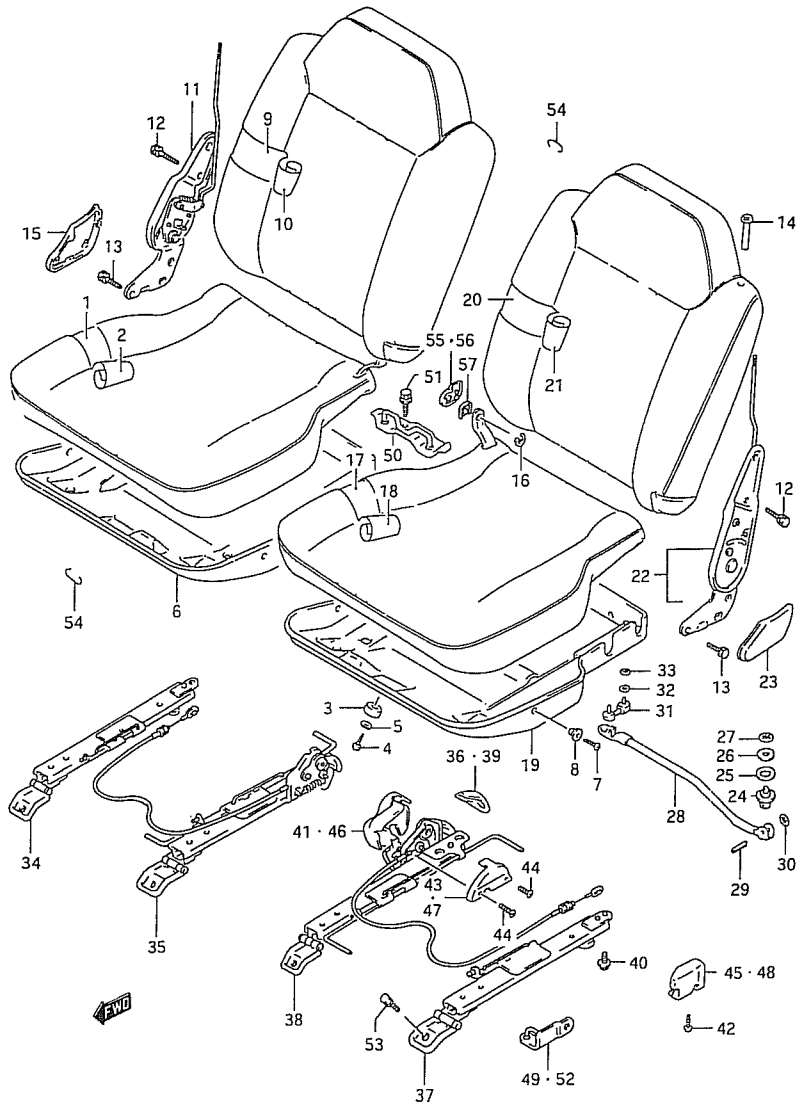
# FIG. 209



# FIG 209. REAR SEAT (3DR)

REF. NO.	PART NO.	DESCRIPTION	Q' TY		REMARKS
			C	V	
23-1	87621-60A10-5PK	COVER, RECLINING LOWER LH	1	1	MY97, (BLACK)
23-2	87621-70E00-5PK	COVER, RECLINING LOWER LH	1	1	MY98, (BLACK)
24	87144-60A10	PIN, STOPPER ROD	2	2	
25	87277-60A10	WASHER	2	2	
26	08322-01083	WASHER	2	2	
27	09148-08002	NUT	2	2	
28-1	87270-60A52	ROD, SEAT STOPPER	2	2	MY97,
28-2	87270-70E00	ROD, SEAT STOPPER	2	2	MY98,
29	87278-60A11	PIN	2	2	
30	09148-03011	NUT	2	2	
31	87279-60A11	HOLDER, STOPPER ROD	2	2	
32	09160-84C00	WASHER	4	4	
33	09148-06005	NUT	4	4	
34-1	87810-60A52	ADJUSTER, RH SEAT OUTSIDE	1	1	MY97,
34-2	87810-70E00	ADJUSTER, RH SEAT OUTSIDE	1	1	MY98,
35-1	87820-60A53	ADJUSTER, RH SEAT INSIDE	1	1	MY97,
35-2	87820-70E00	ADJUSTER, RH SEAT INSIDE	1	1	MY98,
36	87836-60A00-5PK	.KNOB, SEAT LOCK LEVER (BLACK)	1	1	
37-1	87910-60A52	ADJUSTER, LH SEAT OUTSIDE	1	1	MY97,
37-2	87910-70E00	ADJUSTER, LH SEAT OUTSIDE	1	1	MY98,
38-1	87920-60A53	ADJUSTER, LH SEAT INSIDE	1	1	MY97,
38-2	87920-70E00	ADJUSTER, LH SEAT INSIDE	1	1	MY98,
39	87936-60A00-5PK	.KNOB, SEAT LOCK LEVER (BLACK)	1	1	
40	01500-08253	BOLT	8	8	
41-1	87831-60A10	COVER, SEAT LOCK OUTER RH	1	1	MY97, (BLACK)
41-2	87831-70E00-5PK	COVER, SEAT LOCK OUTER RH	1	1	MY98, (BLACK)
42-1	03211-15103	SCREW	2	2	MY97
42-2	03241-05103	SCREW	2	2	MY98
43-1	87834-60A10-5PK	COVER, SEAT LOCK INNER RH	1	1	MY97, (BLACK)
43-2	87834-70E00-5PK	COVER, SEAT LOCK INNER RH	1	1	MY98, (BLACK)
44	03141-04085	SCREW	4	4	
45-1	87835-60A10	COVER, SEAT OUTER LOCK RH	1	1	MY97, (BLACK)
45-2	87835-70E00-5PK	COVER, SEAT OUTER LOCK RH	1	1	MY98, (BLACK)
46-1	87931-60A10	COVER, SEAT LOCK OUTER LH	1	1	MY97, (BLACK)
46-2	87931-70E00-5PK	COVER, SEAT LOCK OUTER LH	1	1	MY98, (BLACK)
47-1	87934-60A10-5PK	COVER, SEAT LOCK INNER LH	1	1	MY97, (BLACK)
47-2	87934-70E00-5PK	COVER, SEAT LOCK INNER LH	1	1	MY98, (BLACK)
48-1	87935-60A10	COVER, SEAT OUTER LOCK LH	1	1	MY97, (BLACK)
48-2	87935-70E00-5PK	COVER, SEAT OUTER LOCK LH	1	1	MY98, (BLACK)
49-1	87840-60A10	STRIKER, LOCK OUTER RH	1	1	MY97,
49-2	87840-70E00	STRIKER, LOCK OUTER RH	1	1	MY98,

# FIG. 209

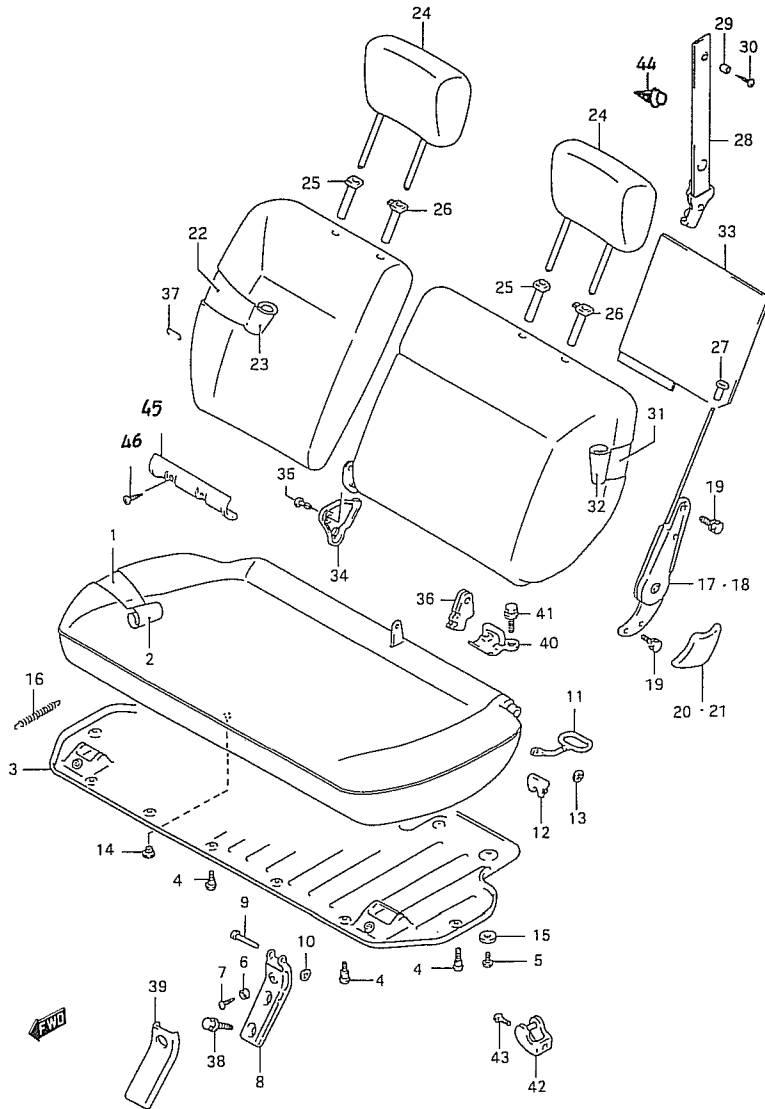


# FIG 209. REAR SEAT (3DR)

REF. NO.	PART NO.	DESCRIPTION	Q' TY		REMARKS
			C	V	
50-1	87890-60A11	STRIKER, LOCK	1	1	MY97,
50-2	87890-70E00	STRIKER, LOCK	1	1	MY98,
51	01550-10203	BOLT	2	2	
52-1	87940-85C00	STRIKER, LOCK OUTER LH	1	1	MY97,
52-2	87940-70E00	STRIKER, LOCK OUTER LH	1	1	MY98,
53	01550-08203	BOLT	8	8	
54	09387-86C00	RING	AR	AR	
55-1	87399-60A10	PROTECTOR, BACK HINGE RH	1	1	MY97,
55-2	87399-70E00	PROTECTOR, BACK HINGE RH	1	1	MY98,
56-1	87799-60A10	PROTECTOR, BACK HINGE LH	1	1	MY97,
56-2	87799-70E00	PROTECTOR, BACK HINGE LH	1	1	MY98,
57-1	87299-60A10	PROTECTOR, CUSHION HINGE	2	2	MY97,
57-2	87299-70E00	PROTECTOR, CUSHION HINGE	2	2	MY98,

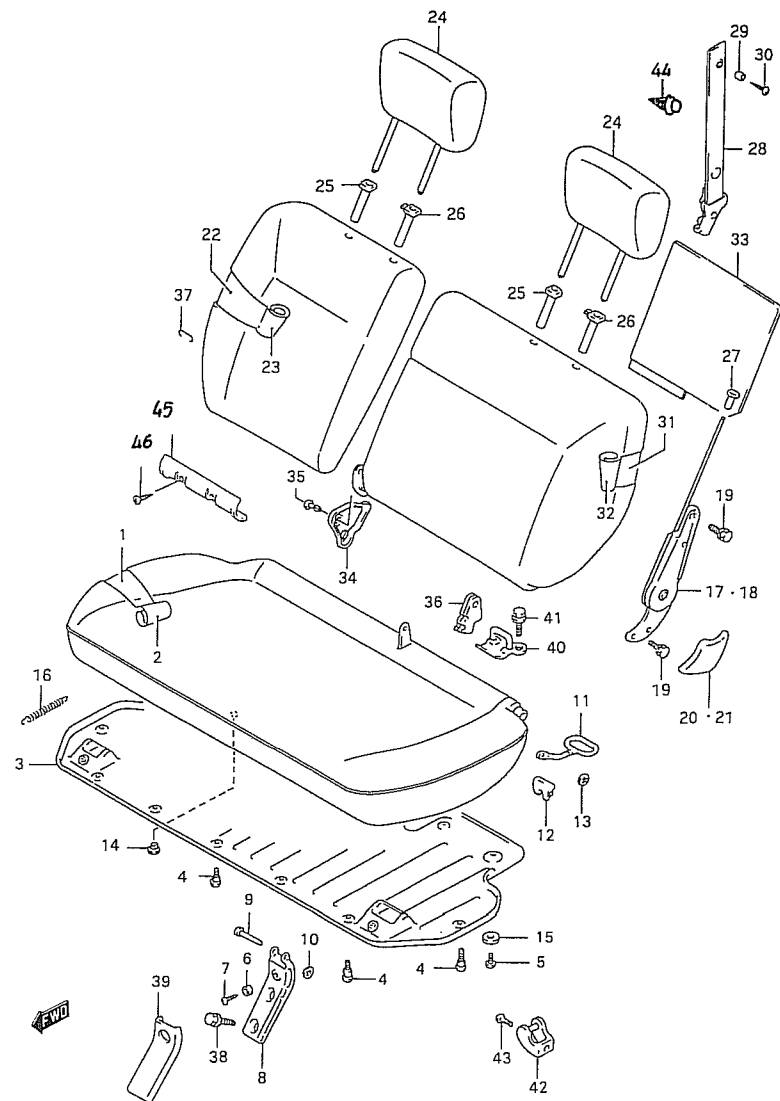
# FIG. 210

# FIG 210. REAR SEAT (5DR: SEPARATE SEAT)



REF. NO.	PART NO.	DESCRIPTION	QTY		REMARKS
			C	V	
1	87105-56BB1	CUSHION SUB ASSY, SEAT		1	
2-1	87180-86C00-TX4	COVER, CUSHION		1	MY97, JLX
2-2	87180-86C00-TX5	COVER, CUSHION		1	MY97, JX
2-3	87180-86C00-H8N	COVER, CUSHION		1	MY98, JLX
2-4	87180-86C00-J0W	COVER, CUSHION		1	MY98, JX
3-1	87191-56B11-5PK	BOARD, SEAT CUSHION UNDER		1	MY97, (BLACK)
3-2	87191-56B11-T61	BOARD, SEAT CUSHION UNDER		1	MY98, (GRAY)
4	87198-56B10	SCREW, CUSHION BOARD		9	
5	02142-06163	SCREW		2	
6	87196-83000	CUSHION		2	
7	03241-05103	SCREW		2	
8	87250-56B10	MAIL, REAR SEAT HINGE		2	
9	87259-56B10	PIN, REAR SEAT HINGE		2	
10	09148-06005	NUT		2	
11	87281-56B10	HANDLE, SEAT LOCK		1	
12	87199-56B10	PROTECTOR, SEAT LOCK HANDLE		1	
13	09148-06005	NUT		1	
14	87292-65C10	CUSHION, SEAT LOCK		2	
15	87292-60A30	CUSHION, SEAT STOPPER		2	
16	09443-14015	SPRING		1	
17-1	87210-56B10	HINGE, SEAT BACK RH		1	MY97,
17-2	87210-56BH0	HINGE, SEAT BACK RH		1	MY98,
18-1	87610-56B10	HINGE, SEAT BACK LH		1	MY97,
18-2	87610-56BH0	HINGE, SEAT BACK LH		1	MY98,
19	01500-08163	BOLT		8	
20	87221-56B11-5PK	COVER, SEAT RECLINING LOWER RH		1	(BLACK)
21	87621-56B11-5PK	COVER, SEAT RECLINING LOWER LH		1	(BLACK)
22-1	87305-56B11	BACK SUB ASSY, RH		1	MY97,
22-2	87305-56BF0	BACK SUB ASSY, RH		1	MY98,
23-1	87380-86C00-TX4	COVER, BACK RH		1	MY97, JLX
23-2	87380-86C10-TX5	COVER, BACK RH		1	MY97, JX
23-3	87380-86C00-H8N	COVER, BACK RH		1	MY98, JLX
23-4	87380-86C10-J0W	COVER, BACK RH		1	MY98, JX
24-1	86401-56B52-P96	HEADRESTRAINT ASSY		2	MY97:JLX
24-2	86401-56B52-F77	HEADRESTRAINT ASSY		2	MY98
25	85341-72C10-5PK	GUIDE, HEADRESTRAINT RH		2	(BLACK)
26	85840-72C10-5PK	GUIDE, HEADRESTRAINT LH		2	(BLACK)
27-1	87211-60A10-5PK	KNOB, REAR SEAT RECLINING		2	MY97, (BLACK)
27-2	87211-60A10-T01	KNOB, REAR SEAT RECLINING		2	MY98, (GRAY)
28-1	87270-56B10	BAND, REAR SEAT STOPPER		1	MY97,
28-2	87270-56B20	BAND, REAR SEAT STOPPER		1	MY98,

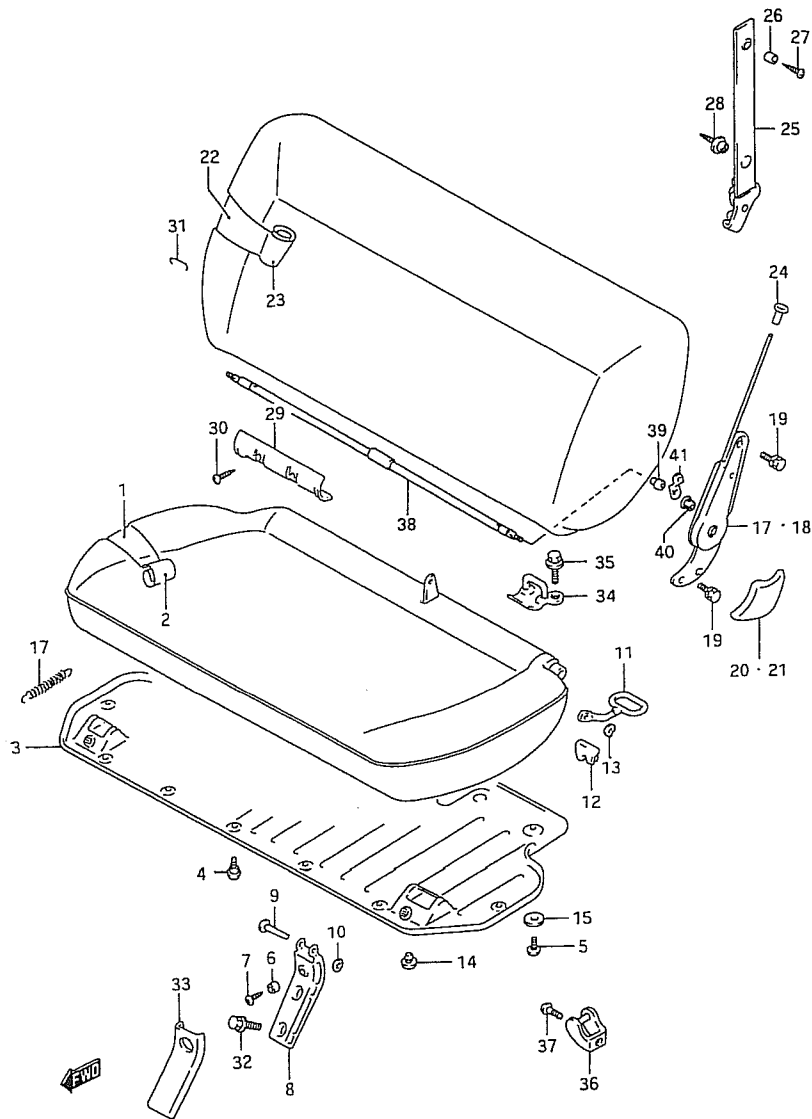
# FIG. 210



# FIG 210. REAR SEAT (5DR: SEPARATE SEAT)

REF. NO.	PART NO.	DESCRIPTION	QTY		REMARKS
			C	V	
29	87327-83000	COLLAR, SEAT STOPPER BAND		1	
30	59941-85C00	SCREW		1	
31-1	87306-56B10	BACK SUB ASSY, LH		1	MY97
31-2	87306-56BF0	BACK SUB ASSY, LH		1	MY98
32-1	87780-86C00-TX4	COVER, BACK LH		1	MY97:JX
32-2	87780-86C10-TX5	COVER, BACK LH		1	MY97:JLX
32-3	87780-86C00-H8N	COVER, BACK LH		1	MY98:JX
32-4	87780-86C10-J0W	COVER, BACK LH		1	MY98:JLX
33	87789-56B11	BOARD, SEAT BACK UNDER		1	
34-1	87399-56B10-5PK	COVER, REAR SEAT INNER HINGE		1	MY97: (BLACK)
34-2	87399-56BF0-5PK	COVER, REAR SEAT INNER HINGE		1	MY98: (BLACK)
35	87799-56B10	BUSH, REAR SEAT INNER HINGE		1	
36	87299-56B10-5PK	PROTECTOR, INNER HINGE (BLACK)		1	
37	09387-86C00	RING		AR	
38	01550-08203	BOLT		4	
39-1	87264-56B10-5PK	COVER, REAR SEAT HINGE MALE		2	MY97: (BLACK)
39-2	87264-56B10-T01	COVER, REAR SEAT HINGE MALE		2	MY98: (GRAY)
40	87890-56B10	STRIKER, REAR SEAT LOCK		2	
41	01550-10203	BOLT		4	
42-1	87831-56B10	HANGER, REAR SEAT STOPPER BAND		1	MY97
42-2	87831-56B11	HANGER, REAR SEAT STOPPER BAND		1	MY98
43	02122-06203	SCREW		1	
44	09410-00073	CLIP		1	MY97
45	87495-56B10-5PK	BOX, REAR SEAT BELT KEEP		1	MY97: (BLACK)
46	59941-85C00	SCREW		2	MY97

# FIG. 211

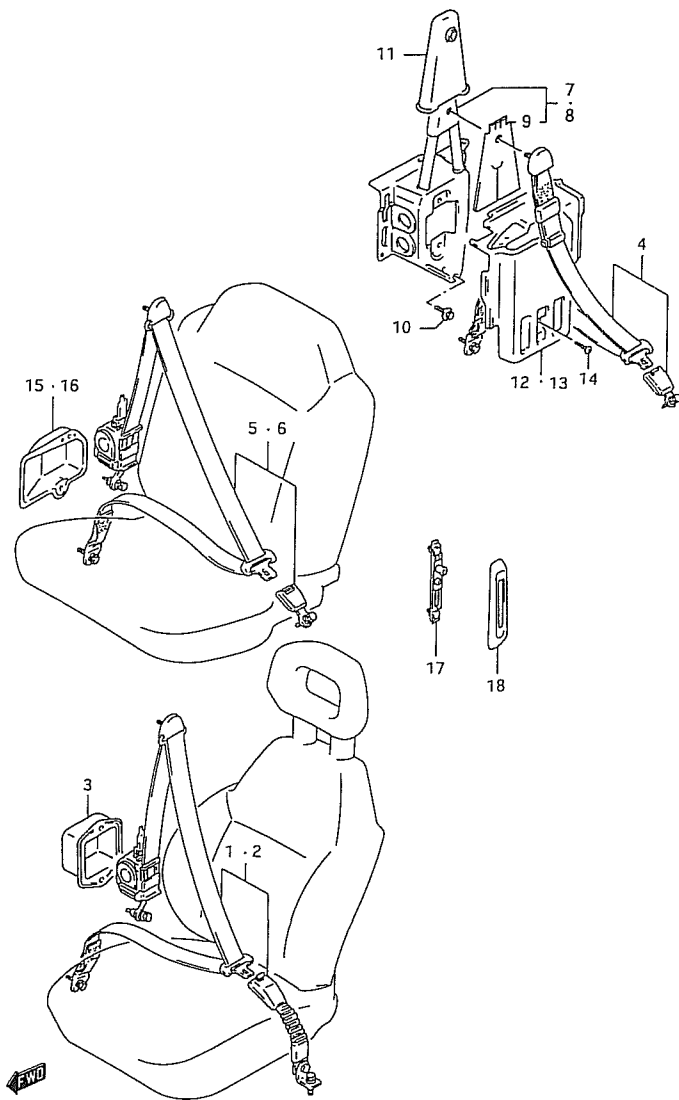


## FIG 211. REAR SEAT (5DR: BENCH SEAT)

REF. NO.	PART NO.	DESCRIPTION	QTY		REMARKS
			C	V	
1	87105-56BA1	CUSHION SUB ASSY, SEAT		1	
2	87180-86C00-TX5	COVER, CUSHION		1	
3	87191-56B11-5PK	BOARD, CUSHION UNDER (BLACK)		1	
4	87198-56B10	SCREW, CUSHION BOARD		9	
5	02142-06163	SCREW		2	
6	87196-83000	CUSHION		2	
7	03241-05103	SCREW		2	
8	87250-56B10	MALE, REAR SEAT HINGE		2	
9	87259-56B10	PIN		2	
10	09148-06005	NUT		2	
11	87281-56B10	HANDLE, SEAT LOCK		1	
12	87199-56B10	PROTECTOR, SEAT LOCK HANDLE		1	
13	09148-06005	NUT		1	
14	87292-65C10	CUSHION, SEAT LOCK		2	
15	87292-60A30	CUSHION, SEAT STOPPER		2	
16	09443-14015	SPRING		1	
17	87210-56B50	HINGE, SEAT BACK RH		1	
18	87610-56B50	HINGE, SEAT BACK LH		1	
19	01500-08163	BOLT		8	
20	87221-56B11-5PK	COVER, SEAT RECLINING LOWER RH		1	-
21	87621-56B10-5PK	COVER, SEAT RECLINING LOWER LH		1	-
22	87305-56B51	BACK SUB ASSY, SEAT		1	
23	87380-86C00-TX5	COVER, BACK		1	
24	87211-60A10-5PK	KNOB, SEAT RECLINING (BLACK)		2	
25	87270-56B10	BAND, SEAT STOPPER		1	
26	87327-83000	COLLAR, STOPPER BAND		1	
27	59941-85C00	SCREW		1	
28	09410-00073	CLIP		1	
29	87495-56B10-5PK	BOX, SEAT BELT KEEP (BLACK)		1	
30	59941-85C00	SCREW		2	
31	09387-86C00	RING		AR	
32	01550-08203	BOLT		4	
33	87264-56B10-5PK	COVER, SEAT HINGE MALE (BLACK)		2	
34	87890-56B10	STRIKER, SEAT LOCK		2	
35	01550-10203	BOLT		4	
36	87831-56B10	HANGER, SEAT STOPPER BAND		1	
37	02122-06203	SCREW		1	
38	87230-56B50	ROD, SEAT HINGE LINK		1	
39	87233-85720	BUSH		2	
40	08319-31063	NUT		2	
41	87236-85720	PLATE		2	



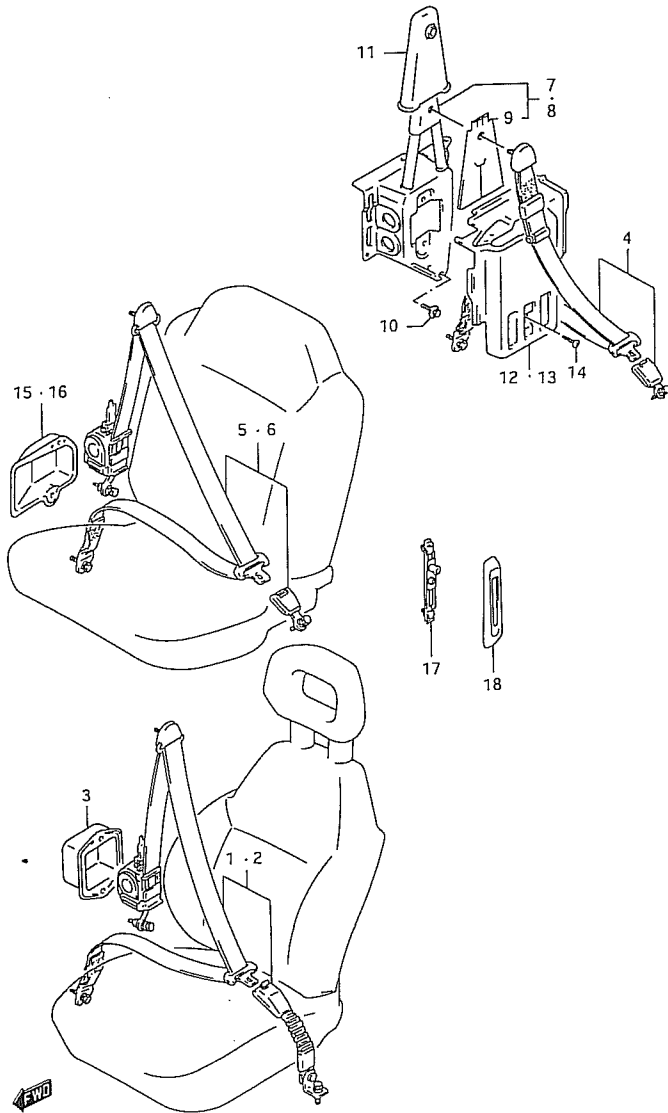
# FIG. 212



# FIG 212. SEAT BELT (3DR)

REF. NO.	PART NO.	DESCRIPTION	QTY		REMARKS
			C	V	
1-1	84901-71E50-5FJ	BELT ASSY, FRONT RH (BLACK)	1	1	JX
1-2	84901-71E20-5FJ	BELT ASSY, FRONT RH (BLACK)	1	1	JLX
1-3	84901-85C30	BELT ASSY, FRONT RH (BLACK)	1	1	JX:ALLIED SIGNAL
1-4	84901-85C20	BELT ASSY, FRONT RH (BLACK)	1	1	JLX:ALLIED SIGNAL
2-1	84902-71E50-5FJ	BELT ASSY, FRONT LH (BLACK)	1	1	JX
2-2	84902-71E20-5FJ	BELT ASSY, FRONT LH (BLACK)	1	1	JLX
2-3	84902-85C30	BELT ASSY, FRONT LH (BLACK)	1	1	JX:ALLIED SIGNAL
2-4	84902-85C20	BELT ASSY, FRONT LH (BLACK)	1	1	JLX:ALLIED SIGNAL
3	84924-63A10	COVER, ELR DUST	2	2	
4-1	84904-60A22-5FJ	BELT ASSY, REAR (BLACK)	2	-	
4-2	84904-85C00	BELT ASSY, REAR (BLACK)	2	-	
5-1	84904-61A92-5FJ	BELT ASSY, REAR RH (BLACK)	-	1	JX
5-2	84904-61A22-5FJ	BELT ASSY, REAR RH (BLACK)	-	1	JLX
5-3	84904-85C30	BELT ASSY, REAR RH (BLACK)	-	1	JX:ALLIED SIGNAL
5-4	84904-85C20	BELT ASSY, REAR RH (BLACK)	-	1	JLX:ALLIED SIGNAL
6-1	84905-61A92-5FJ	BELT ASSY, REAR LH (BLACK)	-	1	JX
6-2	84905-61A22-5FJ	BELT ASSY, REAR LH (BLACK)	-	1	JLX
6-3	84905-85C30	BELT ASSY, REAR LH (BLACK)	-	1	JX:ALLIED SIGNAL
6-4	84905-85C10	BELT ASSY, REAR LH (BLACK)	-	1	JLX:ALLIED SIGNAL
7	87850-60A50	STAY, REAR SHOULDER ANCHOR RH	1	-	
8	87860-85C00	STAY, REAR SHOULDER ANCHOR LH	1	-	
9	84958-60A10	.PAD, REAR SHOULDER ANCHOR	2	-	
10	01550-08203	BOLT	8	-	
11-1	84955-85C10-5ES	COVER, SHOULDER ANC (BLACK)	2	-	MY97
11-2	84955-85C10-T01	COVER, SHOULDER ANC (GRAY)	2	-	MY98
11-3	84965-85C20-T01	COVER, SHOULDER ANC (GRAY)	1	-	MY98:W/FAST TOP
12-1	84956-85C10-5ES	TRIM, SHOULDER ANC RH (BLACK)	1	-	MY97
12-2	84956-85C10-T01	TRIM, SHOULDER ANC RH (GRAY)	1	-	MY98 ✓
12-3	52415-00000	TRIM, SHOULDER ANC RH (GRAY)	1	-	MY97:W/HARD TOP
12-4	52415-00000-T01	TRIM, SHOULDER ANC RH (GRAY)	1	-	MY98:W/HARD TOP ✓
12-5	84956-85C40	TRIM, SHOULDER ANC RH (GRAY)	1	-	MY97:W/FAST TOP
12-6	84956-85C40-T01	TRIM, SHOULDER ANC RH (GRAY)	1	-	MY98:W/FAST TOP ✓
13-1	84966-85C10-5ES	TRIM, SHOULDER ANC LH (BLACK)	1	-	MY97,
13-2	84966-85C10-T01	TRIM, SHOULDER ANC LH (GRAY)	1	-	MY98,
13-3	84966-85C20-T01	TRIM, SHOULDER ANC LH (GRAY)	1	-	MY98:W/FAST TOP:JX ✓
13-4	84966-85C40	TRIM, SHOULDER ANC LH (GRAY)	1	-	MY97:W/FAST TOP.
13-5	84966-85C40-T01	TRIM, SHOULDER ANC LH (GRAY)	1	-	MY98:W/FAST TOP:JLX ✓
13-6	52416-00000	TRIM, SHOULDER ANC LH (GRAY)	1	-	MY97:W/HARD TOP
13-7	52416-00000-T01	TRIM, SHOULDER ANC LH (GRAY)	1	-	MY98:W/HARD TOP ✓
14	03241-16163	SCREW	2	-	
15	84925-61A10	COVER, REAR BELT ELR DUST RH	-	1	

# FIG. 212



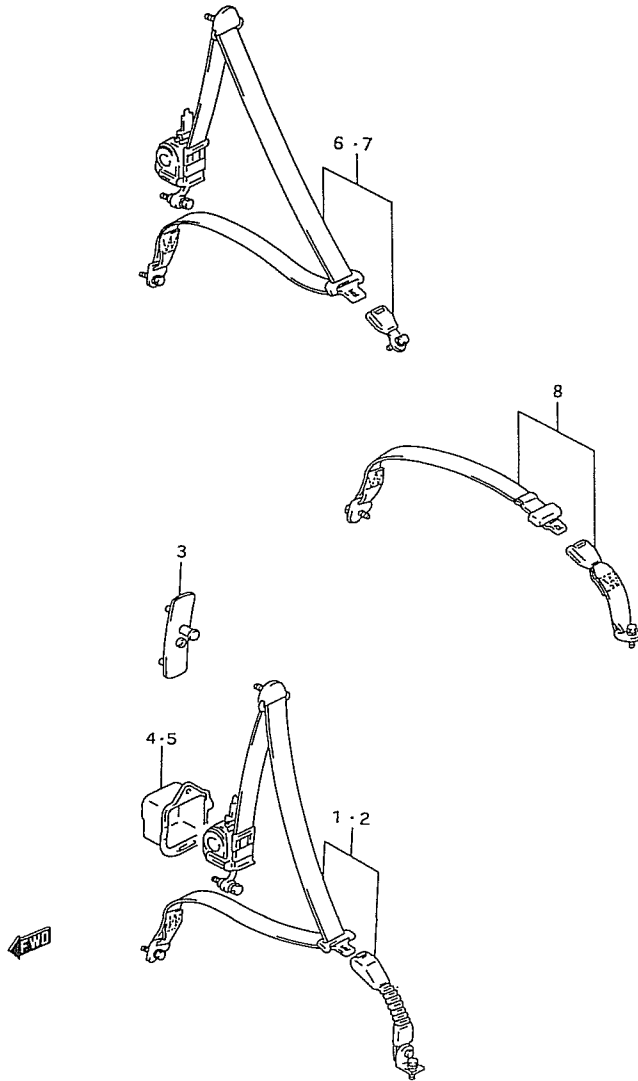
## FIG 212. SEAT BELT (3DR)

REF. NO.	PART NO.	DESCRIPTION	Q' TY		REMARKS
			C	V	
16	84926-61A10	COVER, REAR BELT ELR DUST LH	-	1	
17-1	84991-70E00-5ES	ADJUSTER, FRONT SHOULDER	2	2	MY97, (BLACK)
17-2	84991-70E00-6GS	ADJUSTER, FRONT SHOULDER	2	2	MY98, (GRAY)
18-1	84992-50E00-5ES	COVER, ADJUSTER (BLACK)	2	2	MY97,
18-2	84992-50E00-6GS	COVER, ADJUSTER (GRAY)	2	2	MY98,

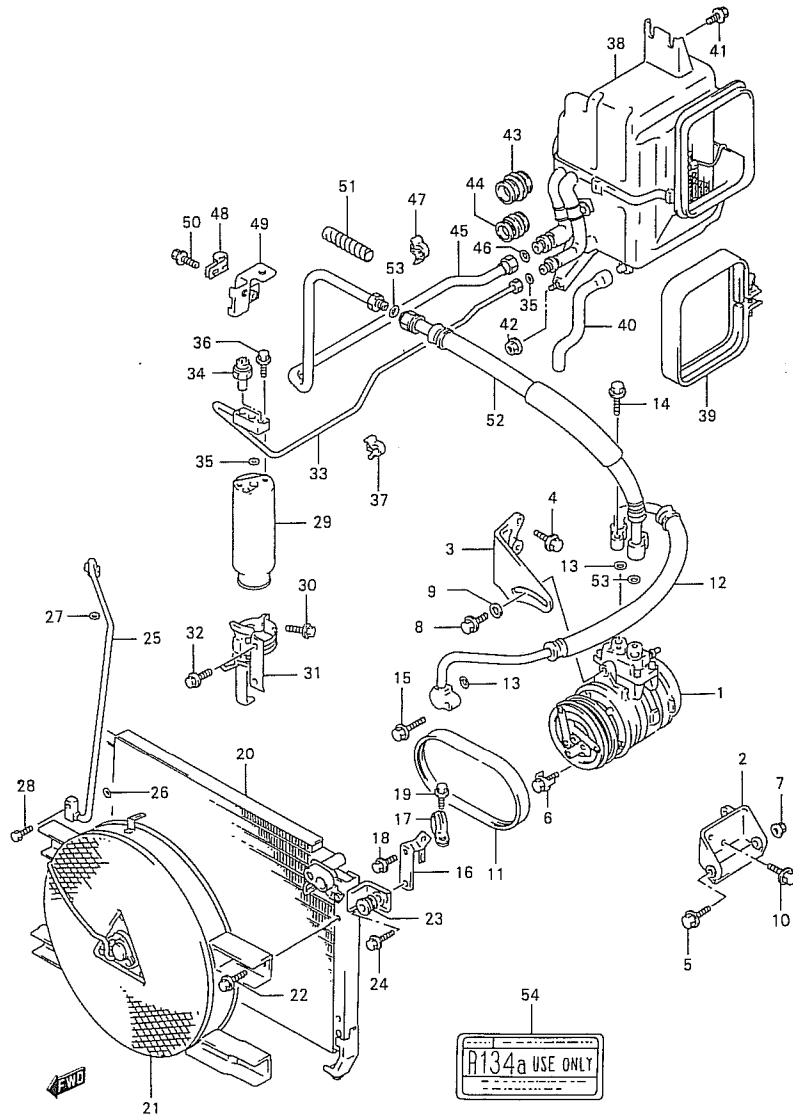
# FIG. 213

## FIG 213. SEAT BELT (5DR)

REF. NO.	PART NO.	DESCRIPTION	QTY		REMARKS
			C	V	
1-1	84901-57B70-5FJ	BELT ASSY, FRONT RH (BLACK)		1	
1-2	84901-86C00	BELT ASSY, FRONT RH (BLACK)		1	ALLIED SIGNAL
2-1	84902-57B70-5FJ	BELT ASSY, FRONT LH (BLACK)		1	
2-2	84902-86C00	BELT ASSY, FRONT LH (BLACK)		1	ALLIED SIGNAL
3-1	84990-56B00-5ES	ADJUSTER, BELT SHOULDER		2	MY97, (BLACK)
3-2	84990-56B00-6GS	ADJUSTER, BELT SHOULDER		2	MY98, (GRAY)
4	84924-56B10	COVER, ELR DUST RH		1	
5	84925-56B10	COVER, ELR DUST LH		1	
6-1	84904-57B70-5FJ	BELT ASSY, REAR RH (BLACK)		1	JX
6-2	84904-86C10	BELT ASSY, REAR RH (BLACK)		1	JX:ALLIED SIGNAL
6-3	84904-57B60-5FJ	BELT ASSY, REAR RH (BLACK)		1	JLX
6-4	84904-86C00	BELT ASSY, REAR RH (BLACK)		1	JLX:ALLIED SIGNAL
7-1	84905-57B70-5FJ	BELT ASSY, REAR LH (BLACK)		1	JX
7-2	84905-86C10	BELT ASSY, REAR LH (BLACK)		1	JX:ALLIED SIGNAL
7-3	84905-57B60-5FJ	BELT ASSY, REAR LH (BLACK)		1	JLX
7-4	84905-86C00	BELT ASSY, REAR LH (BLACK)		1	JLX:ALLIED SIGNAL
8-1	84906-56B41-5FJ	BELT ASSY, REAR CENTER		1	(BLACK)
8-2	84906-86C00	BELT ASSY, REAR CENTER		1	(BLACK):ALLIED SIGNAL



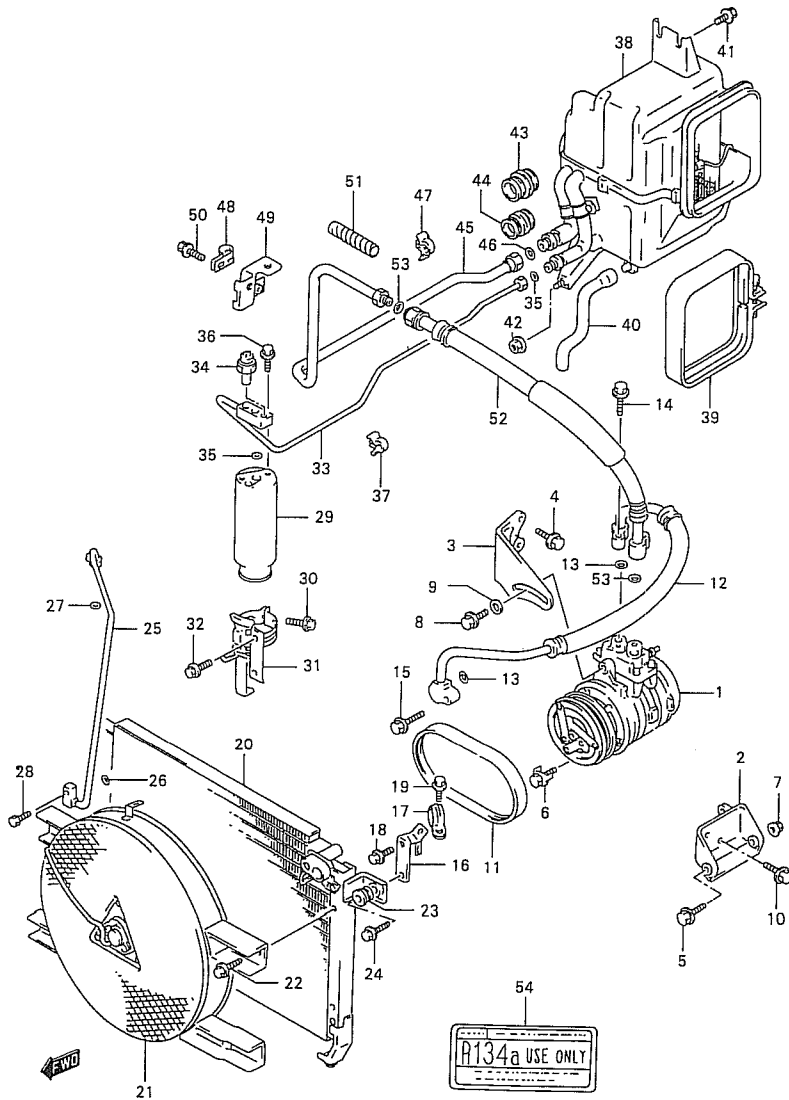
# FIG. 214



## FIG 214. AIR CONDITIONER (LHD)

REF. NO.	PART NO.	DESCRIPTION	QTY		REMARKS
			C	V	
0000	95000-59BB0	AIR CONDITIONER SET		1	MY97,5DR
0000	95000-66A53	AIR CONDITIONER SET	1	1	3DR:2 VALVE-W/CARBUR.-W/
0000	95000-67A32	AIR CONDITIONER SET	1	1	3DR:2 VALVE-W/P.S. -W/F.I
0000	95000-68AM1	AIR CONDITIONER SET	1	1	3DR:4 VALVE - W/P.S.
0000	95000-59BB1	AIR CONDITIONER SET	-	1	MY98:5DR
1-1	95200-67A50	COMPRESSOR & MAGNET CLUTCH	1	1	3DR
1-2	95200-67A60	COMPRESSOR & MAGNET CLUTCH	-	1	5DR
2	95130-57B50	BRACKET, COMPRESSOR	1	1	
3-1	95120-56B50	STAY, COMPRESSOR	1	1	2 VALVE
3-2	95120-57B50	STAY, COMPRESSOR	1	1	4 VALVE
4	01550-08203	BOLT	2	2	
5	01550-08253	BOLT	1	1	
6	95911-82000	BOLT, COMPRESSOR	1	1	
7	08310-10083	NUT	1	1	
8-1	09103-08247	BOLT (8X23)	1	1	2 VALVE
8-2	01550-08253	BOLT	1	1	4 VALVE
9	09160-08093	WASHER	1	1	
10	01550-08203	BOLT	3	3	
11-1	95141-85C60	V BELT (4PK935)	1	1	3DR
11-2	95141-57B60	V BELT (4PK930)	-	1	5DR
12-1	95720-67A50	HOSE, COMPRESSOR DISCHARGE	1	1	2 VALVE
12-2	95720-68A50	HOSE, COMPRESSOR DISCHARGE	1	1	4 VALVE
13	95895-50G00	.O RING	2	2	
14	01550-06253	BOLT	2	2	
15	01550-06403	BOLT	1	1	
16-1	95772-60A50	STAY, HOSE CLAMP	1	1	2 VALVE
16-2	95772-57B50	STAY, HOSE CLAMP	1	1	4 VALVE
17	95772-82010	CLAMP, DISCHARGE HOSE	1	1	
18	01550-06123	BOLT	1	1	
19	09128-06075	BOLT	1	1	
20-1	95310-67A50	CONDENSER	1	1	3DR
20-2	95310-58B50	CONDENSER	-	1	5DR
21-1	95320-67A41	FAN ASSY	1	1	2 VALVE
21-2	95320-57B51	FAN ASSY	1	1	4 VALVE
22	01550-06123	BOLT	4	4	
23	95920-86400	BUSH	-	2	5DR
24-1	01550-06123	BOLT	4	4	3DR
24-2	01550-06303	BOLT	-	2	5DR
25	95733-67A50	PIPE, RECEIVER DRYER INLET	1	1	

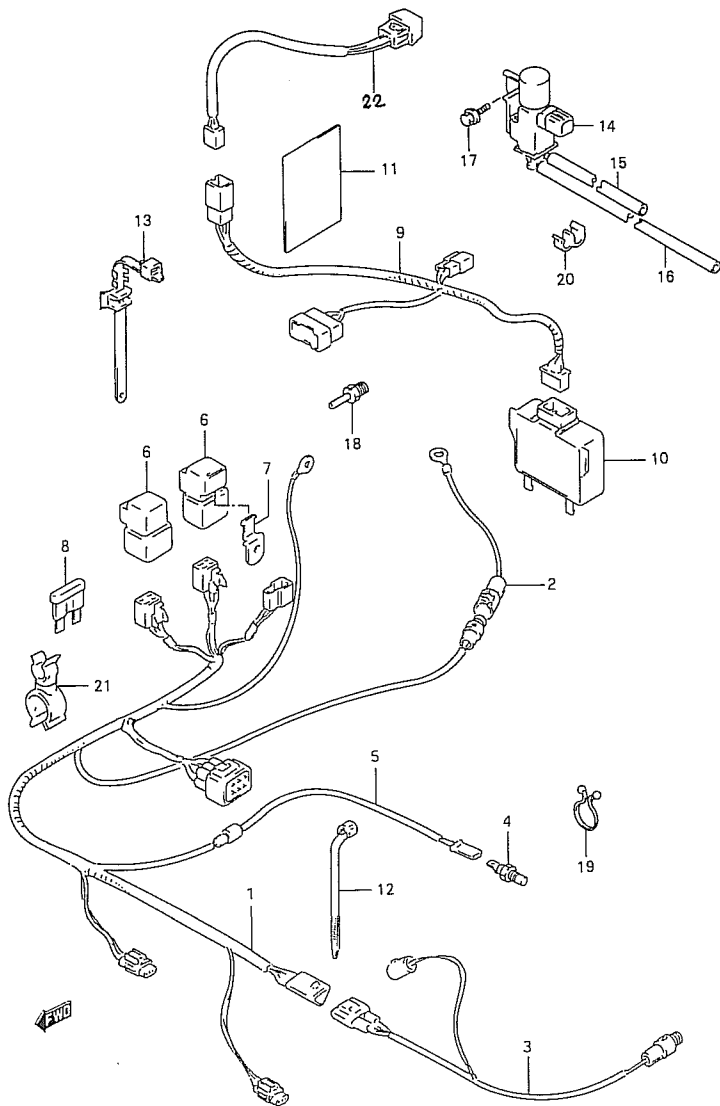
# FIG. 214



# FIG 214. AIR CONDITIONER (LHD)

REF. NO.	PART NO.	DESCRIPTION	Q'TY		REMARKS
			C	V	
26	95895-50G00	.O RING	1	1	
27	95891-50G00	.O RING	1	1	
28	01550-06403	BOLT	1	1	
29	95330-71B20	RECEIVER DRYER	1	1	
30	01550-06203	BOLT	1	1	
31	95930-60A50	BRACKET, RECEIVER DRYER	1	1	
32	01550-06123	BOLT	1	1	
33	95732-67A50	PIPE, LIQUID	1	1	
34	95526-50G10	.SWITCH, DUAL PRESSURE	1	1	
35	95891-50G00	.O RING	2	2	
36	01500-06253	BOLT	2	2	
37	09408-00149	CLAMP	1	1	
38	95400-67A50	UNIT, EVAPORATOR	1	1	
39	95779-60A50	CLAMP, EVAPORATOR	1	1	
40	95491-60A50	HOSE, DRAIN	1	1	
41	01550-06123	BOLT	2	2	
42	08310-10083	NUT	1	1	
43	74813-60B00	GROMMET, SUCTION PIPE	1	1	
44	95761-64A00	GROMMET, LIQUID & DRAIN	2	2	
45	95731-67A50	PIPE, SUCTION	1	1	
46	95896-50G00	.O RING	1	1	
47	09408-16001	CLAMP	1	1	
48	95777-60A50	CLAMP, SUCTION PIPE	2	2	
49	95773-57B50	STAY, SUCTION PIPE CLAMP	1	1	
50	01550-06123	BOLT	2	2	
51	95765-83000	INSULATOR, RADIATOR	1	1	L:150>50
52	95710-67A50	HOSE, SUCTION	1	1	
53	95896-50G00	.O RING	2	2	
54	95955-72B00	LABEL, REFRIGERANT	1	1	

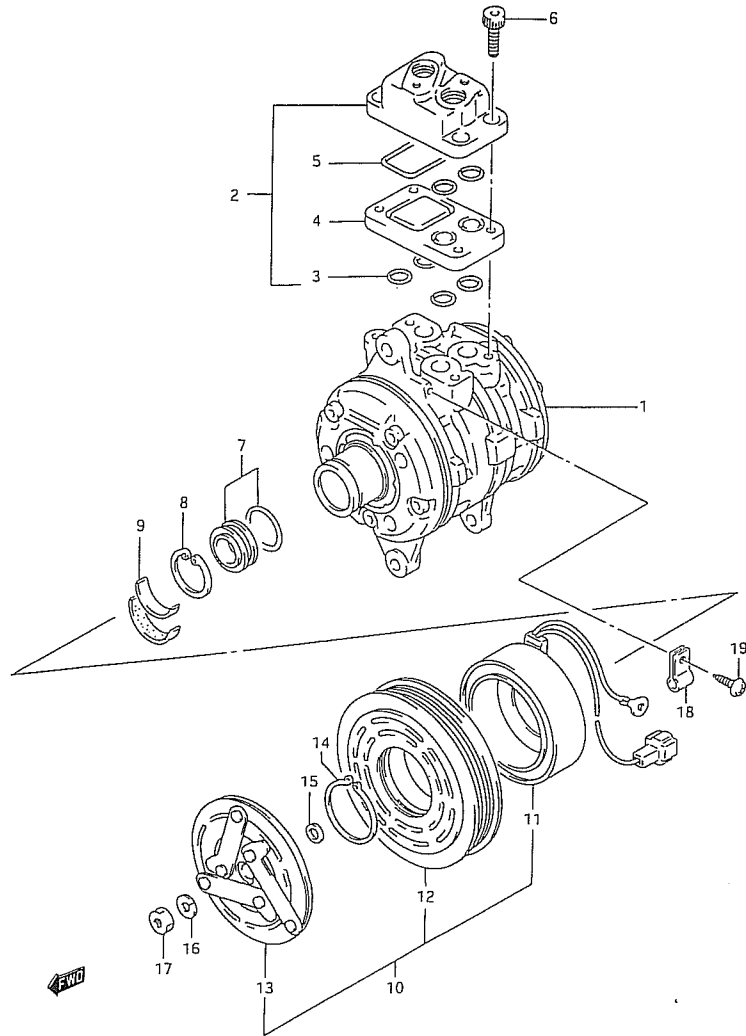
# FIG. 215



## FIG 215. AC WIRING HARNESS (LHD)

REF. NO.	PART NO.	DESCRIPTION	Q' TY		REMARKS
			C	V	
1-1	95584-67A50	HARNESS, ENGINE ROOM	1	1	2 VALVE, W/FUEL INJECTION
1-2	95584-67A60	HARNESS, ENGINE ROOM	1	1	2 VALVE, W/CARBURETOR
1-3	95531-59B51	HARNESS, ENGINE ROOM	1	1	4 VALVE
2-1	95585-60A50	LINK, FUSIBLE	1	1	2 VALVE, W/FUEL INJECTION
2-2	95585-86000	LINK, FUSIBLE	1	1	2 VALVE, W/CARBURETOR
3	95583-67A50	HARNESS, AIR CON JOINT	1	1	
4	95573-60A50	SWITCH, WATER TEMPERATURE	1	1	
5	95534-77E10	HARNESS, WATER TEMP JOINT	1	1	4 VALVE
6-1	95576-73A00	RELAY	2	2	2 VALVE
6-2	38860-72G00	RELAY	2	2	4 VALVE
7	95981-60A50	BRACKET, FUSE	1	1	2 VALVE
8	09481-25103	FUSE	1	1	4 VALVE
9-1	95581-60A51	HARNESS, INNER	1	1	MY97
9-2	95532-78E60	HARNESS, INNER	1	1	MY98
10	95510-78E40	CONTROLLER ASSY	1	1	
11	36930-82010	COVER, HARNESS	1	1	
12-1	36990-85C10	CLAMP, COMPRESSOR HARNESS	1	1	2 VALVE
12-2	36990-85C10	CLAMP, COMPRESSOR HARNESS	3	3	4 VALVE
13	09407-12404	CLAMP, VSV HARNESS	1	1	2 VALVE, W/CARBURETOR
14	95551-60A51	VSV, IDLE UP	1	1	MY98:W/CARBURETOR
15	09355-35754-600	.HOSE	1	1	MY98:L:600>390
16	09355-35754-00B	.HOSE	1	1	MY98:L:2000>750
17	01550-06123	BOLT	1	1	MY98:W/CARBURETOR
18	09362-09009	UNION, HOSE	1	1	MY98:W/CARBURETOR
19	09408-00021	CLAMP	1	1	MY98:W/CARBURETOR
20	18119-85C00	CLAMP	1	1	MY98:W/CARBURETOR
21	09408-00069	CLAMP	1	1	MY98:W/CARBURETOR
22	95571-60A50	SWITCH, AIR CON	1	1	MY97

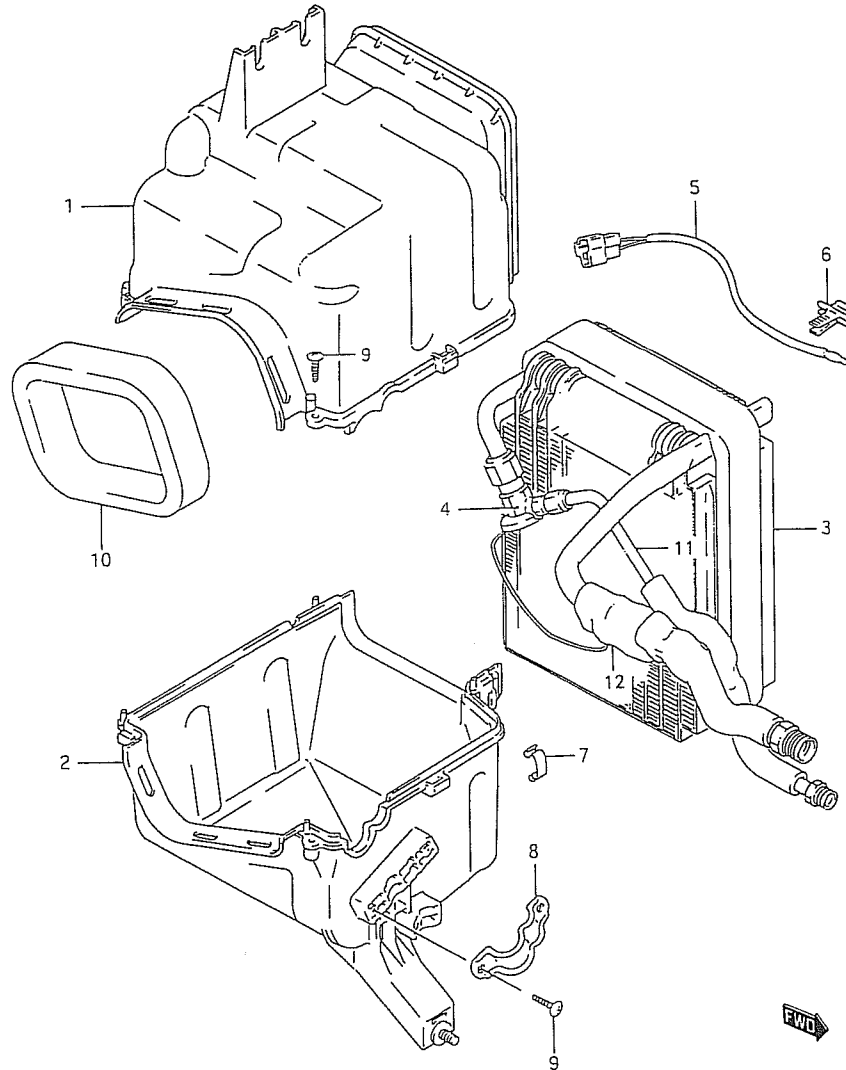
# FIG. 216



# FIG 216. COMPRESSOR AND MAGNET CLUTCH (LHD)

REF. NO.	PART NO.	DESCRIPTION	QTY		REMARKS
			C	V	
0000	95200-67A50	COMPRESSOR & MAGNET CLUTCH	1	1	3DR
0000	95200-67A60	COMPRESSOR & MAGNET CLUTCH	-	1	5DR
1	95230-82117	.COMPRESSOR	1	1	
2	95251-82116	.CONNECTOR, JOINT SERVICE	1	1	
3	95259-82001	...SEAL	6	6	
4	95258-82010	...DIFFUSER	1	1	
5	95254-82000	...SEAL, DIFFUSER	1	1	
6	07130-08253	.BOLT	4	4	
7	95260-82002	.SEAL ASSY, LIP	1	1	
8	08331-41303	.CIRCLIP, MECHANICAL SEAL	1	1	
9	95271-82000	.FELT, OIL	1	1	
10-1	95210-64A51	.CLUTCH ASSY, MAGNET	1	1	3DR
10-2	95210-60A51	.CLUTCH ASSY, MAGNET	-	1	5DR
11	95213-60A51	.COIL, MAGNET CLUTCH	1	1	
12-1	95212-64A51	.CLUTCH, COMPRESSOR DRIVE	1	1	3DR
12-2	95212-60A51	.CLUTCH, COMPRESSOR DRIVE	-	1	5DR
13	95211-82000	.PLATE, COMPRESSOR DRIVE	1	1	-
14	08331-31383	.CIRCLIP, BEARING	1	1	
15	95216-82000	.WASHER, PLATE	AR	AR	
16	08321-01083	.LOCK WASHER	1	1	
17	08310-10083	.NUT, CLUTCH	1	1	
18	95215-82000	.CLAMP, HARNESS	1	1	
19	03141-05083	.SCREW, CLAMP	1	1	
20	95299-82006	GASKET KET, OVERHAUL	1	1	NOT ILLUSTRATED

# FIG. 217

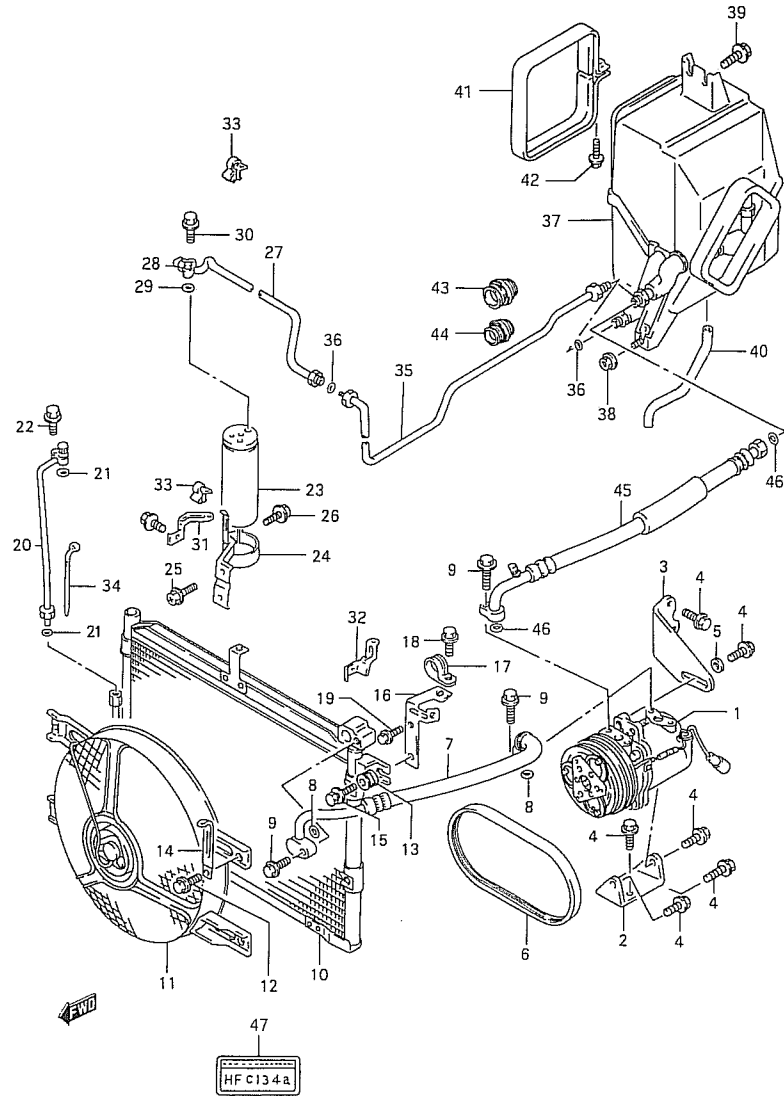


## FIG 217. EVAPORATOR UNIT (LHD)

REF. NO.	PART NO.	DESCRIPTION	Q' TY		REMARKS
			C	V	
0000	95400-67A50	UNIT, EVAPORATOR	1	1	
1	95421-60A51	.CASE, EVAPORATOR UPPER	1	1	
2	95422-60A50	.CASE, EVAPORATOR LOWER	1	1	
3	95410-67A50	.CORE, EVAPORATOR	1	1	
4	95431-67A50	.VALVE, EXPANSION	1	1	
5	95461-63B70	.THERMISTOR	1	1	
6	95452-70B21	.CLAMP, THERMISTOR	1	1	
7	74133-82000	.CLAMP, CASE	5	5	
8	95471-60A50	.CLAMP, PIPE	1	1	
9	03112-04163	.SCREW	3	3	
10	95481-60A50	.PACKING	1	1	
11	95739-67A50	.TUBE, LIQUID	1	1	
12	36930-82010	.COVER	1	1	



# FIG. 218

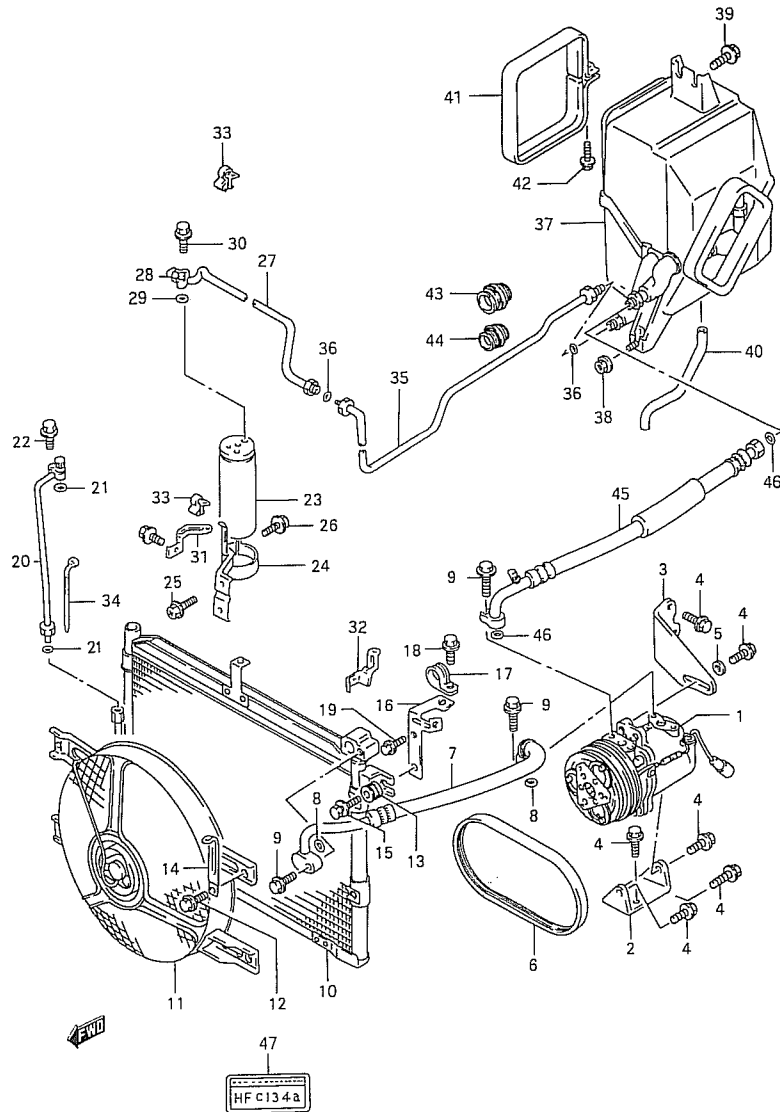


# FIG 218. AIR CONDITIONER (RHD)

REF. NO.	PART NO.	DESCRIPTION	Q' TY		REMARKS
			C	V	
0000	95000-66A02	AIR CONDITIONER SET	1	1	3DR:2 VALVE
0000	95000-68AD1	AIR CONDITIONER SET	1	1	3DR:4 VALVE
0000	95000-58BC1	AIR CONDITIONER SET	-	1	5DR
1-1	95200-70CB0	COMPRESSOR & MAGNET CLUTCH	1	1	MY97,
1-2	95200-70CB1	COMPRESSOR & MAGNET CLUTCH	1	1	MY98,
2	95130-57B10	BRACKET, COMPRESSOR	1	1	
3-1	95112-60A00	STAY, COMPRESSOR	1	1	2 VALVE
3-2	95120-57B00	STAY, COMPRESSOR	1	1	4 VALVE
4-1	01550-08203	BOLT	8	8	2 VALVE
4-2	01550-08203	BOLT	9	9	4 VALVE
5-1	09160-08501	WASHER (8.5X24X2.3)	1	1	2 VALVE
5-2	09160-08501	WASHER (8.5X24X2.3)	2	2	4 VALVE
6	17521-52E00	V BELT (4PK950)	1	1	
7-1	95720-67A00	HOSE, DISCHARGE	1	1	2 VALVE
7-2	95720-68A10	HOSE, DISCHARGE	1	1	4 VALVE
8	95895-50G00	.O RING	2	2	
9	01550-06253	BOLT	3	3	
10-1	95310-67A01	CONDENSER	1	1	3DR
10-2	95310-58B00	CONDENSER	-	1	5DR
11-1	95320-55X51	FAN ASSY	1	1	3DR
11-2	95320-57B51	FAN ASSY	-	1	5DR
12-1	01550-06123	BOLT	4	4	3DR
12-2	01550-06123	BOLT	-	4	5DR
13	95920-86400	BUSH	-	2	5DR
14-1	09404-06432	CLAMP	2	2	3DR
14-2	09404-06432	CLAMP	-	1	5DR
15-1	01550-06123	BOLT	4	4	3DR
15-2	01550-06303	BOLT	-	2	5DR
16-1	95772-60A00	STAY, HOSE CLAMP	1	1	2 VALVE
16-2	95772-57B01	STAY, HOSE CLAMP	1	1	4 VALVE
17-1	95772-82010	CLAMP, DISCHARGE HOSE	1	1	MY98:2 VALVE
17-2	95772-70C51	CLAMP, DISCHARGE HOSE	1	1	MY97, MY98:4 VALVE
18	02162-06163	BOLT	1	1	
19	01550-06123	BOLT	1	1	
20	95733-67A00	PIPE, RECEIVER DRYER INLET	1	1	
21	95891-50G00	.O RING	2	2	
22	01550-06203	BOLT	1	1	
23	95330-72B00	RECEIVER DRYER	1	1	
24	95930-67A00	BRACKET	1	1	
25	01550-06123	BOLT	1	1	
26	02162-06203	BOLT	1	1	

# FIG. 218

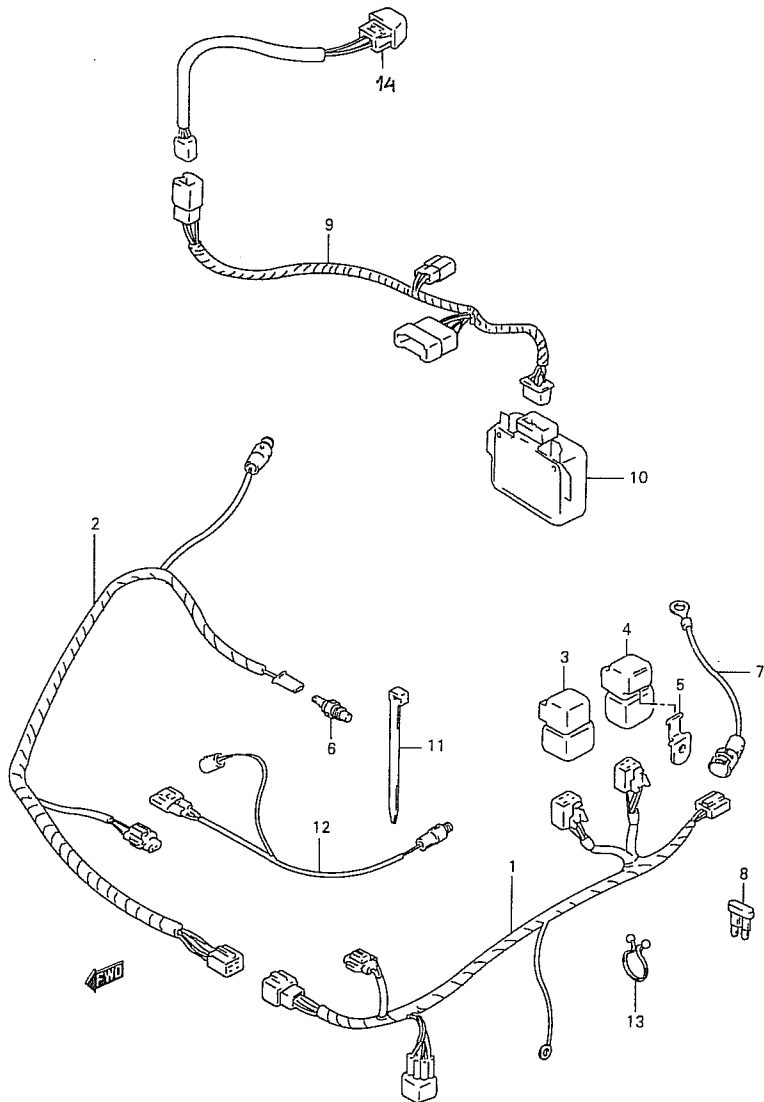
## FIG 218. AIR CONDITIONER (RHD)



REF. NO.	PART NO.	DESCRIPTION	Q' TY		REMARKS
			C	V	
27	95734-67A00	PIPE, RECEIVER OUTLET	1	1	
28	95526-50G10	.SWITCH, DUAL PRESSURE	1	1	
29	95891-50G00	.O RING	1	1	
30	01550-06353	BOLT	1	1	
31	95781-60A00	STAY, RECEIVER OUTLET PIPE RH	1	1	
32	95782-60A00	STAY, RECEIVER OUTLET PIPE LH	1	1	
33	09408-00149	CLAMP	3	3	
34	36990-85C10	CLAMP, RADIATOR RESERVOIR HOSE	1	1	4 VALVE
35	95732-67A01	PIPE, EVAPORATOR INLET	1	1	
36	95891-50G00	.O RING	2	2	
37	95400-67A00	UNIT, COOLING	1	1	
38	08310-10083	NUT	1	1	
39	01550-06123	BOLT	2	2	
40	95480-67A00	HOSE, DRAIN	1	1	
41	95779-60A00	CLAMP, EVAPORATOR	1	1	
42	02112-35303	SCREW	1	1	
43	74813-60B00	GROMMET, SUCTION PIPE	1	1	
44	95761-64A00	GROMMET, LIQUID & DRAIN	2	2	
45	95710-67A10	HOSE, SUCTION	1	1	
46	95896-50G00	.O RING	2	2	
47	95955-72B00	LABEL, REFRIGERANT	1	1	

# FIG. 219

# FIG 219. AC WIRING HARNESS (RHD)

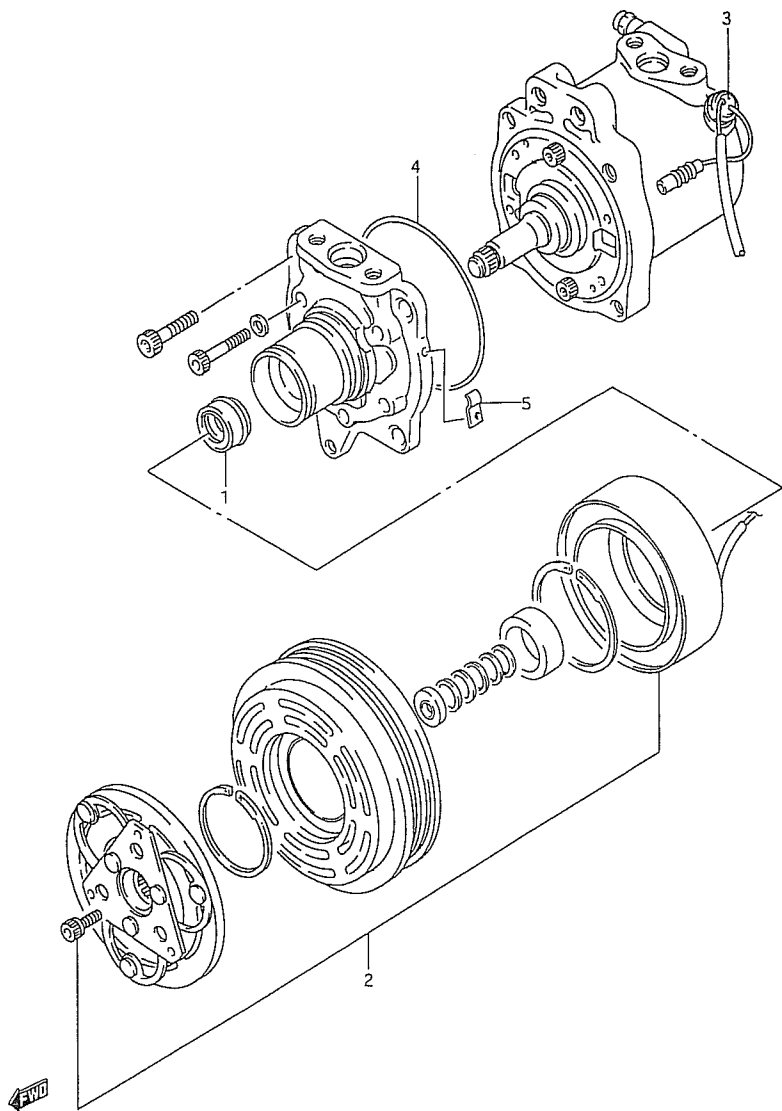


REF. NO.	PART NO.	DESCRIPTION	Q' TY		REMARKS
			C	V	
1-1	95584-67A00	HARNESS, ENGINE ROOM	1	1	2 VALVE
1-2	95531-59B00	HARNESS, ENGINE ROOM NO.1	1	1	4 VALVE
2-1	95533-68A00	HARNESS, ENGINE ROOM NO.2	1	1	3DR:4 VALVE
2-2	95533-59B00	HARNESS, ENGINE ROOM NO.2	-	1	5DR
3	95576-73A00	RELAY, CONDENSER COOLING FAN	1	1	2 VALVE
4-1	38860-72G00	RELAY, COMPRESSOR	1	1	2 VALVE
4-2	38860-72G00	RELAY, COMPRESSOR	2	2	4 VALVE
5	95981-73A00	BRACKET, FUSE	1	1	2 VALVE
6	34850-50A00	GAUGE ASSY, WATER TEMPERATURE	1	1	
7	95585-60A00	FUSIBLE LINK	1	1	2 VALVE
8-1	35156-00000	FUSE (15A)	1	1	3DR:4 VALVE
8-2	09481-25103	FUSE (25A)	-	1	5DR
9-1	95581-60A13	HARNESS, INNER	1	1	MY97
9-2	95532-78E00	HARNESS, INNER	1	1	MY98
10	95510-78E00	CONTROLLER ASSY	1	1	
11	36990-85C10	CLAMP	3	3	
12	95583-67A00	HARNESS, A/C JOINT	1	1	2 VALVE
13	09408-00020	CLAMP, COMPRESSOR THERMAL	1	1	MY98
14	95571-86400	SWITCH, AIR CON	1	1	MY97

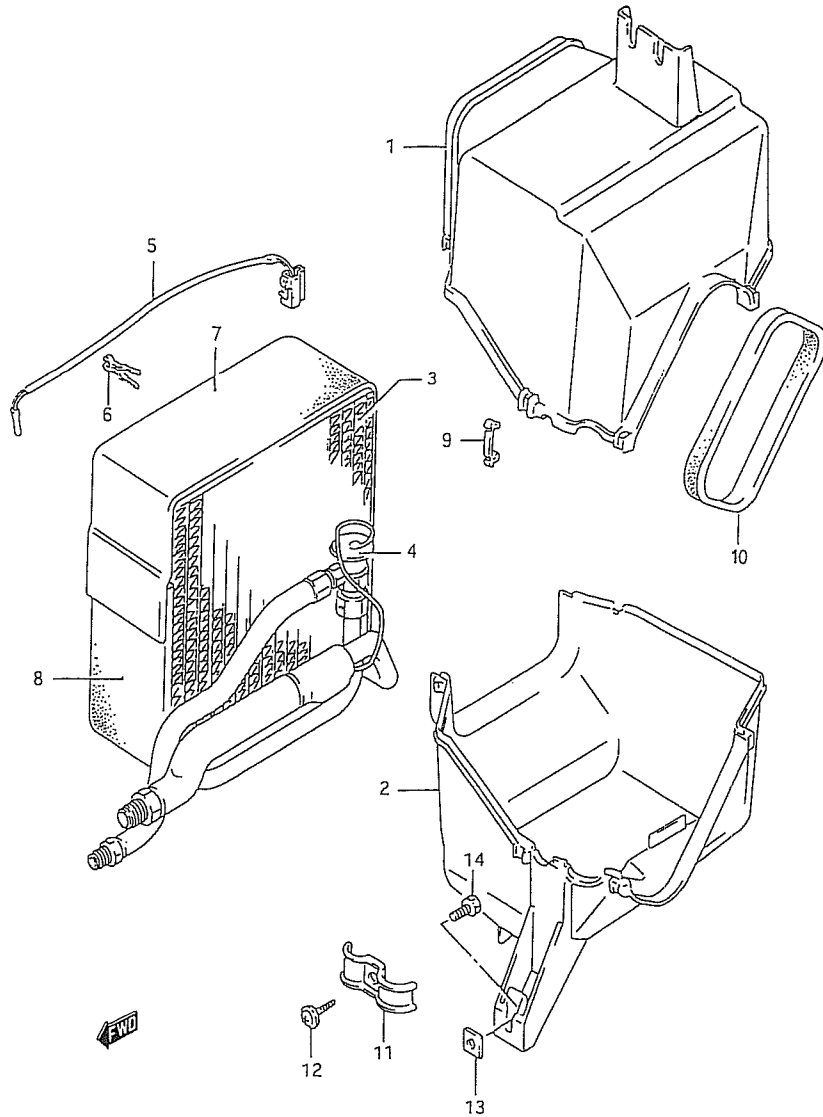
# FIG. 220

## FIG 220. COMPRESSOR (RHD)

REF. NO.	PART NO.	DESCRIPTION	Q' TY		REMARKS
			C	V	
0000	95200-70CB0	COMPRESSOR & MAGNET CLUTCH	1	1	MY97,
0000	95200-70CB1	COMPRESSOR & MAGNET CLUTCH	1	1	MY98,
1	95261-70B00	.SEAL, LIP TYPE	1	1	
2	95210-64A02	.CLUTCH, MAGNET	1	1	
3	95527-70CA0	.PROTECTOR, THERMAL	1	1	
4	95262-70B00	.O RING	1	1	
5	95291-70B00	.CLAMP, THERMAL PROTECTOR WIRE	1	1	



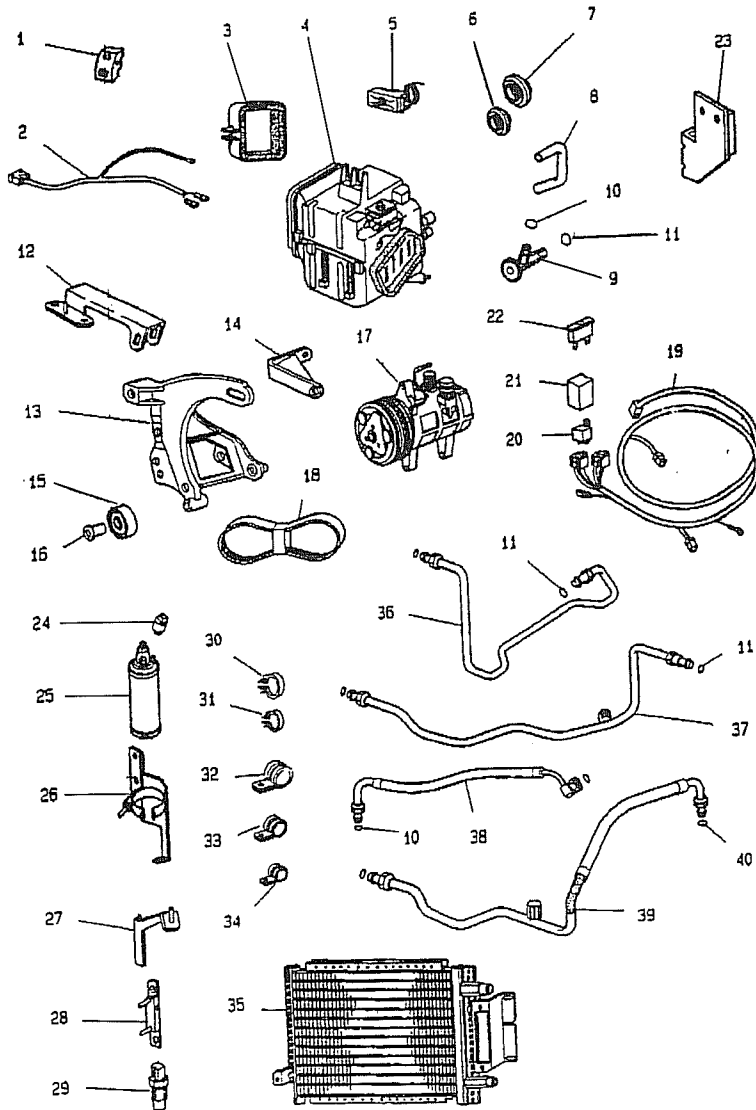
# FIG. 221



## FIG 221. EVAPORATOR UNIT (RHD)

REF. NO.	PART NO.	DESCRIPTION	QTY		REMARKS
			C	V	
0000	95400-67A00	UNIT, EVAPORATOR	1	1	
1	95421-60A01	.CASE, EVAPORATOR UPPER	1	1	
2	95422-60A01	.CASE, EVAPORATOR LOWER	1	1	
3	95410-67A00	.CORE, EVAPORATOR	1	1	
4	95431-70C50	..VALVE, EXPANSION	1	1	
5	95451-78041	.THERMISTOR, EVAPORATOR	1	1	
6	95452-70B21	.CLAMP, THERMISTOR	1	1	
7	95463-60B50	.PACKING, CORE UPPER	1	1	
8	95481-60A00	.PACKING, EVAPORATOR	1	1	
9	74316-85500	.CLAMP	6	6	
10	95482-60A00	.PACKING, EVAPORATOR CASE	1	1	
11	95771-60A00	.CLAMP, EVAPORATOR PIPE	1	1	
12	03541-05103	.SCREW	1	1	
13	74172-80000	.PAD	1	1	
14	01107-08163	.BOLT	1	1	

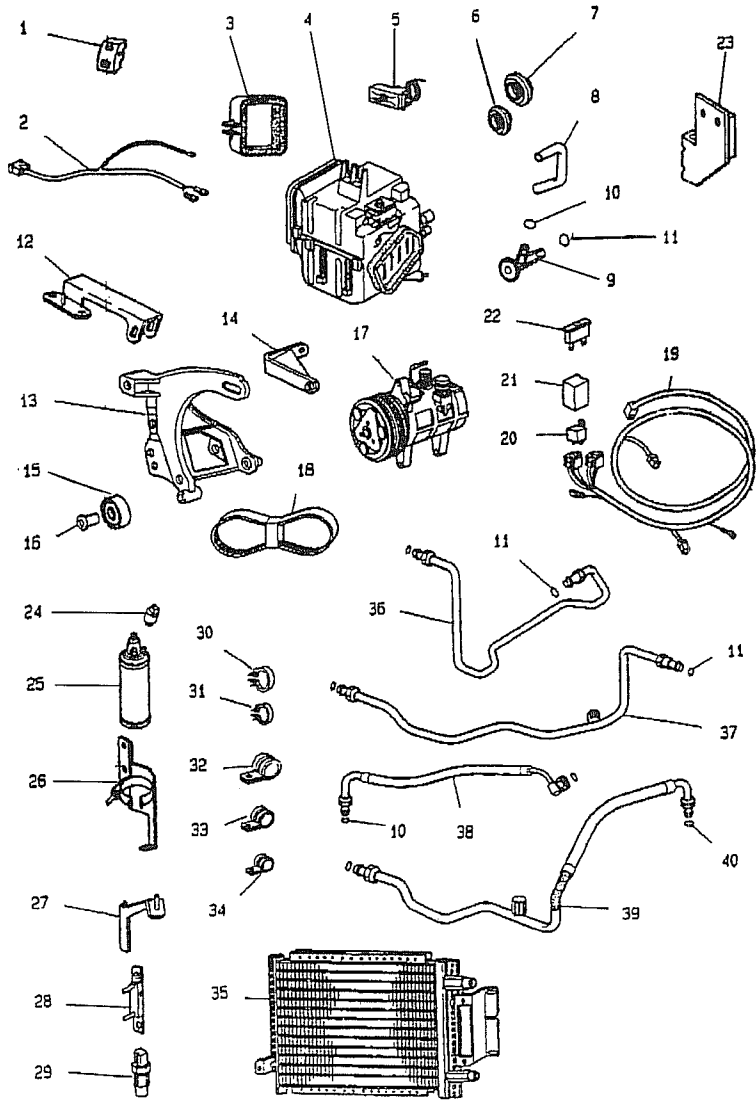
# FIG. 222



# FIG 222. AIR CONDITIONER 1.9 T. DIESEL

REF. NO.	PART NO.	DESCRIPTION	Q' TY		REMARKS
			C	V	
0	99000-990YG-802	AIR CONDITIONER	1	1	MY97:SEE SERV.BULLETIN I-
0	99000-990YG-803	AIR CONDITIONER	1	1	MY98
1-1	95571-60A50	SWITCH	1	1	MY97
1-2	95521-86C00	CONTROL BUTON	1	1	MY98
2-1	95581-86CA0	EVAPORATOR WIRING HARNESS	1	1	MY97
2-2	95581-86CB0	EVAPORATOR WIRING HARNESS	1	1	MY98
3	95779-86CA0	CLAMP SWITCH ISOLATION	1	1	
4	95800-86CB0	EVAPORATOR ASSY	1	1	
5	95400-86CA0	THERMOSTAT	1	1	
6	74814-86CA0	GROMMET	1	1	
7	74813-86CA0	GROOMET	1	1	
8	95491-86CA0	DRAINAGE TUBE	1	1	
9	95431-86CA0	EXPANSION VALVE	1	1	
10	95891-86CA0	O RING	1	1	Ø 7.6x1.78
11	95895-86CA0	O RING	1	1	Ø 10.8x1.78
12	95130-86CC0	COMPRESOR BRACKET, UPPER	1	1	
13-1	95130-86CB0	COMPRESOR BRACKET, LOWER	1	1	MY97
13-2	95130-86CD0	COMPRESOR BRACKET, LOWER	1	1	MY98
14	95120-86CA0	STAY	1	1	
15	95121-86CA0	IDLER PULLEY	1	1	
16	95113-86CA0	BUSHING	1	1	
17	95200-86CA0	COMPRESSOR	1	1	
18	95141-86CA0	BELT 6PK	1	1	
19	95531-86CB0	ENGINE WIRING HARNESS	1	1	
20	38850-86CD0	RELAY	1	1	
21	35334-86CA0	RELAY PROTECTIVE CAP	1	1	
22	09481-86CA0	FUSE 25 A.	1	1	
23	35343-86CA0	RELAY BRACKET	1	1	
24	95575-86CA0	TRINARY PRESSURE SWITCH	1	1	
25	95330-86CA0	DRYER FILTER	1	1	
26	95930-86CC0	FILTER BRACKET	1	1	
27	95773-86CB0	CLAMP BRACKET	1	1	
28	35342-86CB0	CONDENSER RIGHT BRACKET	1	1	
29	95573-86CA0	TEMPERATURE SWITCH	1	1	
30	09403-86CB0	PLASTIC CLIP	1	1	
31	09403-86CA0	PLASTIC CLIP	1	1	
32	95772-86CA0	CLAMP	1	1	
33	95777-86CA0	CLAMP	1	1	
34	95772-86CC0	CLAMP	1	1	
35	95300-86CB0	CONDENSER	1	1	WITH BRACKETS

# FIG. 222



## FIG 222. AIR CONDITIONER 1.9 T. DIESEL

REF. NO.	PART NO.	DESCRIPTION	Q' TY		REMARKS
			C	V	
36	95733-86CB0	G06 HOSE TUBE FILTER-CONDENS.	1	1	
37	95732-86CB0	G06 HOSE TUBE EVAPOR.-FILTER	1	1	
38	95720-86CA0	G08 HOSE COMP.-CONDENS.	1	1	
39	95710-86CC0	G10 HOSE COMP.-EVAPORATOR	1	1	
40	95896-86CA0	O RING	1	1	Ø14x1.78

VITAZA

# PARTS NUMBER INDEX







PART NO.	FIG. NO. -REF. NO.	PART NO.	FIG. NO. -REF. NO.	PART NO.	FIG. NO. -REF. NO.
12934-85C00	013 - 16	13320-823T0	022 - 9	13492-56B01	017 - 11
13110-56B40	017 - 1	13330-60A00	022 - 27	13494-37010	022 - 14
13110-58B20	019 - 1-1	13331-60A00	022 - 29	13494-58B00	019 - 31
13110-58B50	019 - 1-2	13341-60A00	022 - 22	13601-05066	022 - 43
13110-60X52	018 - 1	13350-60A10	022 - 39	13601-05148	022 - 38
13110-86CB0	017A - 1	13360-60A01	022 - 35	13601-60AT0	022 - 26
13113-86CB0	017A - 4	13370-824T0	022 - 8	13601-841T0	022 - 33
13117-60B00	017 - 5	13380-60AT0	022 - 44	13620-56B01	017 - 23
	018 - 5	13384-78330	022 - 34	13620-57B01	019 - 33
	019 - 5	13400-56B00	017 - 8	13626-58B00	019 - 20
	026 - 3		020 - 1	13627-58B00	019 - 21
	027 - 4	13400-58B00	019 - 14-1	13650-56B00	017 - 13
	028 - 3		021 - 1-1	13650-57F00	019 - 27
13119-57B00	019 - 2-1	13400-58B10	019 - 14-2	13650-61B00	017 - 15
13119-85C00	001 - 4		021 - 1-2	13650-86CB0	040 - 22
	017 - 2	13403-56B00	020 - 25	13651-86CB0	042A - 24
	018 - 2	13416-58B00	021 - 5	13672-55A00	022 - 28
13119-85C10	002 - 4	13420-56B00	020 - 16	13700-58B00	025 - 1
	019 - 2-2	13420-58B00	021 - 2	13700-61A01	023 - 1-1
13119-86CB0	017A - 2	13421-85C00	001 - 12	13700-63X50	024 - 1
13119-86CB1	017A - 3		017 - 9	13700-78E01	023 - 1-2
13122-58B00	002 - 14	13421-85C10	002 - 13	13713-60A00	024 - 7
	019 - 10		019 - 15	13715-82110	024 - 11
13125B60A00	001 - 13	13428-58B00	020 - 17	13740-60A00	024 - 6
	018 - 10		021 - 3	13749-82111	024 - 8
13140-58B41	019 - 9	13431-61A00	020 - 3	13760-56B01	023 - 33
13192-60A00	018 - 14	13432-61A00	020 - 5		025 - 26
13194-60A00	018 - 13	13439-61A00	020 - 4	13765-56B01	023 - 34
13200-60A12	018 - 9	13441-56B00	020 - 8		025 - 27
	022 - 00000	13441-61A00	020 - 14	13766-56B00	023 - 35
13210-60AT0	022 - 21	13442-61A00	020 - 18		025 - 28
13228-840T0	022 - 24	13443-61A00	020 - 21	13767-56B00	023 - 36
13245-60AT0	022 - 13	13444-61A00	020 - 22		025 - 29
13248-840T0	022 - 12	13445-61A00	020 - 20	13773-60AT0	024 - 4
13250-840T0	022 - 7	13446-86CA1	021A - 25	13775-60A00	024 - 3
13258-60A00	022 - 3	13454-61A01	020 - 13	13780-58B00	025 - 2
13259-60A00	022 - 1	13471-58B00	019 - 42	13780-60A00	024 - 2
13260-60A00	022 - 2	13481-60A00	022 - 10	13780-61A00	023 - 2-1
13270-60AT0	022 - 11	13491-56B00	020 - 23	13780-77E00	023 - 2-2
13275-60AT0	022 - 25	13491-58B00	019 - 29	13800-58B00	025 - 5

PART NO.	FIG. NO. -REF. NO.	PART NO.	FIG. NO. -REF. NO.	PART NO.	FIG. NO. -REF. NO.
13809-58B00	025 - 6		035 - 13		031 - 11
13813-58BT0	025 - 3		036 - 15		032 - 11
13813-61AT0	023 - 4	13924-85550	033 - 15	14183-58B02	029 - 2
	024 - 5		035 - 15		031 - 2
13814-61A00	023 - 32		036 - 17		032 - 2
13818-82000	024 - 9	13925-85553	033 - 14	14183-60A11	030 - 9
13819-83000	024 - 10		033 - 19	14190-58B02	029 - 1-1
13820-56B00	023 - 29		035 - 14		031 - 1-1
13820-56B20	024 - 22		035 - 19		032 - 1
13820-56B40	025 - 21		036 - 16	14190-60A01	027 - 14
13829-56B01	023 - 30		036 - 21	14190-85C10	029 - 1-2
	024 - 23	13941-86CB0	026A - 2		031 - 1-2
	025 - 22	13942-86CB0	026A - 4	14190-86CB0	029 - 1-3
13830-56B00	023 - 12	13945-86CB0	026A - 7	14250-58B01	029 - 6-1
13830-58B40	025 - 16	13966-86CB0	026A - 5		031 - 6
13840-56B00	023 - 13	13975-86CB0	026A - 3		032 - 6-1
13841-60A00	024 - 18	13985-86CB0	026A - 13	14250-58B30	032 - 6-2
13845-56B00	023 - 15	13985-86CB1	026A - 22	14250-86CB0	029 - 6-2
13850-56B00	023 - 16	14111-58B20	026 - 1	14270-58B00	026 - 14
13850-58B01	025 - 18	14111-58BV0	028 - 1		028 - 15
13850-61A02	023 - 26	14111-60X51	027 - 1	14281-58B00	029 - 14
13861-61A01	023 - 24	14111-86CB0	026A - 20		031 - 14
13870-56B11	024 - 19	14115-86CA1	026A - 15		032 - 14
13871-56B00	023 - 7-1	14120-58B01	028 - 9	14281-60B00	030 - 13
13871-58B20	025 - 9	14120-58B20	026 - 8	14281-71C00	029 - 7
13872-58B00	025 - 14	14120-60A00	027 - 8		031 - 7
13872-86CA0	023 - 7-2	14130-58B00	028 - 10		032 - 7
13873-57B00	025 - 11	14130-85C00	027 - 9	14281-85C00	029 - 13
13879-81050	023 - 20	14131-58B20	026 - 9		030 - 12
13879-85C00	024 - 20	14140-58B01	002 - 5		030 - 14
13880-61A00	023 - 9-1		028 - 2		031 - 13
13880-86CB0	023 - 9-2	14140-85C00	001 - 5		032 - 13
13885-60A00	024 - 15		026 - 2	14284-57B00	030 - 5
13887-58B00	025 - 24		027 - 2	14300-58B11	029 - 10-1
13891-61A00	023 - 10-1	14141-86CA0	026A - 21		031 - 10-1
13900-86CB0	026A - 1	14141-86CB0	026A - 6	14300-77E11	032 - 10-1
13921-85552	033 - 18	14150-60A10	030 - 1	14300-85C00	030 - 8
	035 - 18	14181-85C00	030 - 2	14300-85C10	029 - 10-2
	036 - 20	14181-86CB0	042A - 16		031 - 10-2
13923-85551	033 - 13	14182-58B10	029 - 11	14300-85C20	032 - 10-2

PART NO.	FIG. NO. -REF. NO.	PART NO.	FIG. NO. -REF. NO.	PART NO.	FIG. NO. -REF. NO.
14300-86CA0	029 - 10-3	15282-86CB0	021A - 20		204 - 21
14300-86CB0	029 - 10-4	15291-86CB0	021A - 17		204 - 28
14492-85C00	029 - 3	15311-86CB0	037A - 1		205 - 21
	030 - 11	15312-86CB0	037A - 2		205 - 28
	031 - 3	15312-86CB1	006B - 11		206 - 21
	032 - 3	15313-86CB0	037A - 10		206 - 28
14493-85C00	029 - 5	15315-82000	034 - 2	15410-61A00	033 - 4-1
	030 - 10	15315-86CB0	037A - 9		035 - 4
	031 - 5	15316-86CA0-	037A - 11-1		036 - 4
	032 - 5	15316-86CA0-	037A - 11-2	15410-80000	034 - 5
14494-85C00	029 - 12	15316-86CA0-	037A - 11-3	15410-86CA0	033 - 4-2
	031 - 12	15316-86CA0-	037A - 11-4	15710-09300	033 - 21
	032 - 12	15316-86CA0-	037A - 11-5	15710-56B00	020 - 2
15100A60A01	034 - 1	15316-86CA0-	037A - 11-6	15710-58B00	037 - 8
15100-57B20	036 - 1	15316-86CA0-	037A - 11-7	15716-58B00	037 - 9
15100-61A02	033 - 1	15316-86CA0-	037A - 11-8	15731-57B00	037 - 1-1
	035 - 1	15316-86CA0-	037A - 11-9	15731-57B01	037 - 1-2
15111-61A00	033 - 2	15316-86CA0-	037A - 11-10	15735-58B00	037 - 10
	035 - 2	15316-86CA0-	037A - 11-18	15750-82400	037 - 5
	036 - 2	15316-86CA0-	037A - 11-19	15762-61B00	037 - 4
15160-56B00	020 - 11	15316-86CA0-	037A - 11-20	15763-61B00	037 - 6
15160-58B00	037 - 7	15316-86CA0-	037A - 11-21	15810-57B00	036 - 14
15167-61A00	020 - 12	15316-86CA0-	037A - 11-22	15810-61A01	033 - 12
15167-86CA0	006B - 10	15316-86CA0-	037A - 11-23		035 - 12
15167-86CA1	039A - 4	15316-86CA0-	037A - 11-24	15811-60A10	034 - 8
15167-86CA3	013A - 31	15318-60A01	034 - 3	15820-57B01	036 - 6
15167-86CA4	042A - 26	15318-86CA0	037A - 6	15820-61A22	033 - 6-1
15167-86CA5	021A - 3	15319-86CA0	037A - 8		035 - 6
15167-86CB2	021A - 27	15319-86CA0-	037A - 11-11	15820-86CA0	033 - 6-2
15200-86CB1	021A - 1-1	15319-86CA0-	037A - 11-12	15820-86CB0	033 - 6-3
15200-86CC0	021A - 1-2	15319-86CA0-	037A - 11-13	15821-60A21	034 - 9
15220-86CB0	021A - 26	15319-86CA0-	037A - 11-14	15830-58B00	035 - 20
15230-86CB0	006B - 19	15319-86CA0-	037A - 11-15		036 - 22
15240-86CA0	021A - 22	15319-86CA0-	037A - 11-16	15830-61A00	033 - 20-1
15250-86CB0	021A - 19	15319-86CA0-	037A - 11-17	15833-86CB0	037A - 3
15260-86CB0	021A - 14	15319-86CA1	037A - 7	15840-58B00	034 - 17-2
15261-86CB0	021A - 15	15320-86CA0	037A - 14	15840-61A01	033 - 17
15262-86CB0	021A - 18	15329-85C00	033 - 3		035 - 17
15281-86CB0	021A - 2		035 - 3		036 - 19
15281-86CB1	021A - 21		036 - 3	15850-57B01	035 - 23

PART NO.	FIG. NO. -REF. NO.	PART NO.	FIG. NO. -REF. NO.	PART NO.	FIG. NO. -REF. NO.
	036 - 25		036 - 28-2	16920-86CA0	006B - 13
15850-77X50	033 - 26		036 - 29-2	16930-82001	007 - 11
	035 - 21		040 - 26	16930-86CA0	006B - 7
	036 - 23		106 - 6	17110-60A00	039 - 11
15861-57B00	036 - 7	15910A61A02	017 - 26-2	17119-86CA0	040 - 31-1
15861-60A20	033 - 7-1	15910A61A10	018 - 19	17120-57B01	039 - 8
	034 - 10	15910-57B02	019 - 19-2	17400-60A04	039 - 1
	035 - 7	15910-57B03	019 - 19-3	17400-86CB0	039A - 1
15861-86CA0	033 - 7-2	15910-57B11	019 - 19-1	17431-85C00	001 - 9
15861-86CB0	033 - 7-3	15910-85C20	017 - 26-1		002 - 10
15865-86CA0	037A - 4	15910-86CB0	017 - 26-3		039 - 2
15870-61A00	033 - 25	15918-58B00	019 - 38-2	17431-86CA0	039A - 2
15870-86CA1	033 - 20-2	15918-58B10	019 - 38-1	17511-57B00	039 - 6-2
15880-60A00	034 - 28		019 - 38-3	17511-61A00	039 - 6-1
15881-60A00	034 - 25	15919-57B11	019 - 36	17521-52E00	218 - 6
15891-60A11	033 - 8	15919-58B10	019 - 41	17521-61A00	039 - 7
	034 - 11	15991-61A02	017 - 27	17521-85C00	117 - 15
	035 - 8		018 - 20		118 - 15
	036 - 8	15991-83000	017 - 28	17550-58B00	043 - 4
15892-60A11	033 - 9	16100-85C00	038 - 1	17550-60X50	042 - 4
	034 - 12	16100-86CA0	038A - 1	17550-86CA0	039A - 3
	035 - 9	16119-85C00	001 - 8	17561-58B00	043 - 2
	036 - 9		002 - 9	17561-73000	042 - 2
15893-56B00	036 - 12		038 - 8	17561-86CA1	042A - 18
15893-60A11	033 - 10	16130-60A00	038 - 2	17569-86CA0	042A - 15
	034 - 13	16150-60A00	038 - 4	17570-57B00	043 - 17
	035 - 10	16151-86CA0	038A - 4	17570-86CA0	042A - 19
	036 - 10	16152-86CA0	038A - 5	17600-60823	042 - 1-2
15893-86CB0	006B - 12	16510-85C00	006 - 13		043 - 1-2
15895-56B11	036 - 13	16510-86CA0	006B - 1	17670-85C00	042 - 1-1
15895-60A11	033 - 11	16520-60A00	007 - 7		043 - 1-1
	034 - 14	16520-86CA0	006B - 3	17670-85C10	042 - 1-3
	035 - 11	16520-86CA1	038A - 10		043 - 1-3
	036 - 11	16527-86CA0	006A - 5	17699-60B02	002 - 7
15895-86CA0	037A - 13	16527-86CA1	038A - 6		043 - 18
15899-85C00	033 - 27	16910-85C00	007 - 10	17700-56B12	041 - 1-4
	034 - 23	16910-86CA0	006B - 6	17700-60A12	041 - 1-2
	035 - 22	16920-60A02	003 - 14	17700-85C01	040 - 1-1
	035 - 26-2		004 - 14		041 - 1-1
	036 - 24	16920-86502	005 - 17	17700-85C10	041 - 1-3





PART NO.	FIG. NO. -REF. NO.	PART NO.	FIG. NO. -REF. NO.	PART NO.	FIG. NO. -REF. NO.
31586-85C20	081 - 19	33410-60A10	078 - 29	33924-77E00	096 - 2
31612-85C00	081 - 9	33458-82010	093 - 9-2	33924-77E10	095 - 2
31612-86CA0	081A - 10	33553-52E00-	093 - 8	33924-86CA1	095 - 56-2
31613-86CA0	081A - 11		094 - 7	33926-80710	095 - 71-1
31616-85C00	081 - 14	33610-85C00	085 - 1-3	33927-80710	095 - 71-2
31621-85C00	081 - 13	33610-85C20	085 - 1-2	33928-80710	095 - 71-3
31621-86CA0	081A - 15	33610-85C70-	085 - 1-1	33929-80710	095 - 71-4
31641-85C00	081 - 15	33610-86CB0-	085 - 1-4	33930-80710	095 - 71-5
31651-85C00	081 - 4	33660A73010	085 - 2-1	33931-80710	095 - 71-6
31651-85C10	081 - 5	33660-85C00	085 - 2-2	33940-70E10	095 - 54
31710-85C00	081 - 8	33705-57B21	077 - 20	33945-70E00	095 - 57
31761-85C00	081 - 3	33705-83020	076 - 21	33946-70E00	095 - 58
31775-85C00	081 - 20		078 - 22	33946-70E11	095 - 56-1
31775-86CA0	081A - 2	33710-56B20	078 - 21	33946-70E20	096 - 49
31791-85C00	081 - 18	33730-57B21	077 - 21	33946-70E30	095 - 65
32500-85C00	081 - 17	33730-60C30	076 - 22	33970-70E01	095 - 68-1
33100-60A10	078 - 19		078 - 23		096 - 52-1
	084 - 1	33740-57B21	077 - 22	33970-70E02	095 - 68-2
33100-70E00	077 - 18	33740-60C30	076 - 23		096 - 52-2
	083 - 1		078 - 24	33970-86CA0	095 - 68-3
33100-70E10	076 - 19	33750-57B21	077 - 23	34101-78E00	086 - 1-1
	082 - 1	33750-83020	076 - 24	34101-78E10	086 - 1-2
33151-80020	084 - 8		078 - 25	34101-86CA0	086 - 1-3
33230-60A20	084 - 10	33760-57B21	077 - 24	34112-67E20	086 - 6
33239-76410	084 - 11	33760-85220	076 - 25	34112-85C00	086 - 26
33278-85060	082 - 5		078 - 26	34120-79E10	086 - 2-1
	083 - 5	33800-70E80	085 - 3-1	34120-79E20	086 - 2-2
33278-85310	084 - 12	33800-79E20	085 - 3-3	34120-85C00	086 - 2-3
33279-80020	084 - 9	33800-85C20	085 - 3-4	34141-60E10	086 - 8
33297-81060	084 - 6	33800-85C80	085 - 3-2	34145-60B00	086 - 7
33310-70E00	082 - 4	33881-82011	044 - 38	34152-78E20	086 - 9
	083 - 4	33884-86510	076 - 27	34152-86CA0	086 - 25
33310-82010	084 - 4		077 - 25	34155-50E10	086 - 14-1
33321-60A10	084 - 2		078 - 28	34155-85C00	086 - 14-2
33321-70E00	083 - 2	33920-70E10	095 - 1-1	34172-50E10	086 - 10
33321-70E10	082 - 2		096 - 1-1	34172-85C00	086 - 27
33324-79610	084 - 3	33920-71E80	095 - 1-2	34175-78900	086 - 12-1
33326-70E00	083 - 3		096 - 1-2		086 - 12-2
33326-70E10	082 - 3	33920-71E80	095 - 1-3	34175-85C00	086 - 28
33370-60A10	084 - 5		096 - 1-3	34220-79E00	086 - 3-1

PART NO.	FIG. NO. -REF. NO.	PART NO.	FIG. NO. -REF. NO.	PART NO.	FIG. NO. -REF. NO.
34220-86CA0	086 - 3-2		219 - 8-1	36212-60A00	090 - 2-1
34320-77E70	086 - 4-1	35157-00000	093 - 4	36212-85C00	090 - 2-2
34320-85C00	086 - 4-2		094 - 3	36230-85C10	090 - 5-1
34420-67E20	086 - 5-1	35179-82060	087 - 4	36230-85C10-	090 - 5-2
34420-86CA0	086 - 5-2		089 - 4	36230-85C20	090 - 5-3
34600-77E00	101 - 13	35180-60E00	095 - 44	36230-85C20-	090 - 5-4
34810-60A11	204 - 26		096 - 54	36232-60A10	090 - 7-1
	205 - 26	35186-70A01	095 - 45	36232-60A10-	090 - 7-2
	206 - 26		096 - 51	36235-60A10	090 - 6-1
34825-67012	204 - 27	35300-60A21	087 - 2-1	36235-60A10-	090 - 6-2
	205 - 27		087 - 2-2	36242-60A10	090 - 8-1
	206 - 27	35300-85C10	089 - 2	36242-60A10-	090 - 8-2
34850-50A00	219 - 6	35309-00000	144 - 38-2	36410-85C00	087 - 9
34850-82012	017 - 17	35311-00000	100 - 1-3		088 - 4
	018 - 18	35332-86CA0	076A - 20		089 - 9
	019 - 35	35333-86CA0	076A - 21	36412-85C00	087 - 11
34850-86CB0	042A - 21		081A - 7		088 - 6
34851-86CA0	021A - 23	35334-86CA0	222 - 21		089 - 11
34910-60A31	086 - 18-5	35336-86CA0	076A - 2	36430-85C00	087 - 10
34910-60A70	086 - 18-1	35337-86CA0	021A - 10		088 - 5
34910-61A30	086 - 18-7		076A - 9		089 - 10
34910-61A50	086 - 18-2	35337-86CB0	006A - 27	36550-85C00	095 - 41
34910-61A70	086 - 18-4	35338-86CA0	076A - 3		096 - 40
34910-62A00	086 - 18-3	35339-86CA0	076A - 5	36570-85C10	092 - 11
34910-62A40	086 - 18-6	35340-86CA0	076A - 7	36571-85C10	092 - 20
34926-57B20	086 - 23	35341-86CA0	076A - 23	36572-85C10	092 - 13
34926-60A00	086 - 21	35342-86CB0	222 - 28	36578-56B00	092 - 23
34935-56B00	093 - 110	35343-86CA0	222 - 23	36578-85C00	092 - 17
	094 - 95	35346-86CA0	095 - 75	36578-85C10	087 - 14
34955-60E00	086 - 17	35650-85C00	092 - 1		088 - 9
	101 - 3	35655-85C00	092 - 5		089 - 14
35100-60A21	087 - 1-1	35670-85C00	092 - 2	36590-85C10	092 - 12
35100-60A90	087 - 1-2	35910-85C00	092 - 8	36591-85C10	092 - 21
35100-85C10	089 - 1	36118-60A20	087 - 7	36601-74E10	094 - 1-2
35129-04030	092 - 15		089 - 7	36601-74E30	094 - 1-3
35155-00000	093 - 2	36210-56B00-	091 - 1-1	36601-74E40	093 - 1-3
35156-00000	093 - 3	36210-56B00-	091 - 1-2	36601-74E50	093 - 1-2
	093 - 32	36210-60A10-	090 - 1-1	36601-74E70	093 - 1-4
	094 - 2	36210-85C00-	090 - 1-2	36601-85C21	094 - 1-1
	094 - 23	36212-56B00	091 - 2	36601-85C41	093 - 1-1





PART NO.	FIG. NO. -REF. NO.	PART NO.	FIG. NO. -REF. NO.	PART NO.	FIG. NO. -REF. NO.
	095 - 20	37990-56B61-	095 - 22-1	38340-85C00	098 - 9-2
	096 - 6		096 - 21-1	38340-85C10	099 - 9-2
	096 - 12	37990-56B61-	095 - 22-2	38346-61A00	100 - 12
	096 - 19		096 - 21-2	38346-84040	098 - 10
37400-77E00	096 - 8-1	37993-56B50-	095 - 25-1		099 - 10
37400-77E40	095 - 9-1		096 - 24-1	38410-66113	098 - 12-1
37400-77E50	095 - 9-2	37993-56B50-	095 - 25-2		098 - 12-2
37400-77EA1	096 - 8-3		096 - 24-2		099 - 12-1
37400-77EE1	095 - 9-5	37995-56B50-	095 - 24-1		099 - 12-2
37400-77EF1	095 - 9-6		096 - 23-1	38450-60A00	098 - 13-1
37400-77EG0	096 - 8-2	37995-56B50-	095 - 24-2		099 - 13-1
37400-77EJ0	095 - 9-3		096 - 23-2	38450-61A00	098 - 13-2
37400-77EK0	095 - 9-4	37995-56B60-	095 - 23-1		099 - 13-2
37610-83001	050 - 16 ✓		096 - 22-1	38452-80000	098 - 14
37670-61A00	095 - 16-1	37995-56B60-	095 - 23-2		099 - 14
	095 - 16-2		096 - 22-2	38453-75000	098 - 15-1
	095 - 17	38101-60A30	099 - 1-1		098 - 15-2
	096 - 15-1	38101-60A40	098 - 1-1		099 - 15-1
	096 - 15-2	38101-85C20	099 - 1-2		099 - 15-2
	096 - 16	38101-85C40	098 - 1-2	38480-60A01	098 - 23
37680-60A01	075 - 15	38102-60A00	099 - 5-1		099 - 23
37680-60A10	075 - 20	38102-60A10	098 - 5-1	38491-61A00	098 - 17
37740-60D01	095 - 14	38102-85C20 ✓	099 - 5-2		098 - 19
	096 - 13	38102-85C40	098 - 5-2		098 - 21
37820-85C00	006 - 17	38252-60A00	098 - 2		098 - 22
37820-86CA0	006B - 5		099 - 2		099 - 17
37860-70F00	095 - 18	38271-61A00	100 - 6		099 - 19
	096 - 17	38272-61A00	100 - 5		099 - 21
37865-56B00	095 - 40	38274-61A00	100 - 8		099 - 22
	096 - 39	38278-61A00	100 - 7		100 - 16
37880-56B01-	091 - 5-1	38310A60A00	098 - 7-1		100 - 22
37880-56B01-	091 - 5-2	38310-60A10	099 - 7-1	38491-61A10	100 - 18
37881-56B00-	091 - 8-1	38310-85C00	098 - 7-2	38491-79020	100 - 23-1
37881-56B00-	091 - 8-2	38310-85C10	099 - 7-2		100 - 23-2
37884-56B00	091 - 7	38315-61A00	100 - 13-1	38496-56B00	100 - 24
37940-60A10	136 - 2	38315-85C00	100 - 13-2	38496-61A00	098 - 18
37950-60E01	095 - 39	38319-75000	098 - 11		099 - 18
	096 - 38		099 - 11		100 - 17
37955-60E00	095 - 69	38340-60A00	098 - 9-1	38496-71311	098 - 20
	096 - 53	38340-60A10	099 - 9-1		099 - 20

PART NO.	FIG. NO. -REF. NO.	PART NO.	FIG. NO. -REF. NO.	PART NO.	FIG. NO. -REF. NO.
38500-85C00	095 - 27	38860-50G20	095 - 63	41311-77E00	107 - 17-3
	096 - 26	38860-60B20	093 - 9-1	41311-77EA0	107 - 17-1
38500-85C10	095 - 28	38860-72G00	215 - 6-2	41311-85C10	107 - 17-4
	096 - 27		219 - 4-1	41311-85CA0	107 - 17-2
38590-77E10	095 - 31-1		219 - 4-2	41601-85CA0	102 - 3-1
38590-85C00	095 - 31-2	38860-86CB0	037A - 16 ✓	41601-85CB0	102 - 3-2
	096 - 30	38863-70G00	095 - 64	41602-85CA0	102 - 4-1
38610-85C00	095 - 30	38880-70E20	095 - 33	41602-85CB0	102 - 4-2
	096 - 29		096 - 32	41700-85C10	107 - 20-1
38650-77E00	095 - 72	38910-70E40	095 - 50	41700-85C20	107 - 20-2
	096 - 55	38912-77E00	095 - 51	41810-60A01	102 - 11
38660-80F00	096 - 44	38913-50D00	095 - 60	41841-85C00	102 - 10
38661-77E00	096 - 46	39182-70E01	101 - 11	41842-85C00	102 - 13
38700-77E00	095 - 26-2	39191-85C00	101 - 1	41850-60A00	102 - 14
	096 - 25-2	39250-85C00	101 - 6	42110-85C00	102 - 16
38700-77E10	095 - 26-1	39251-50G00	101 - 7		107 - 18-1
	096 - 25-1	39262-60A00	101 - 8	42150-85C30	107 - 18-2
38810-85C10	100 - 1-2	39283-85C00	101 - 14	42311-85C00	103 - 1
38811-61A00	100 - 1-1		141 - 13	42411-85C00	103 - 7
38813-61A00	100 - 3	39312-82012	093 - 97	42412-85C00	103 - 6
38813-85C10	100 - 27		094 - 82	42420-85C00	103 - 2
38814-61A00	100 - 4	39321-60G10	101 - 2	42421-85C00	103 - 5
38821-61A00	100 - 9-1	39400-86820	095 - 35	43110-60A60	110 - 7-2
38821-85C00	100 - 9-2		096 - 34	43110-85C10	110 - 7-1
38822-61A00	100 - 11-1	39471-60A00	095 - 37	43110-85C30	111 - 5
38822-85C00	100 - 11-2		096 - 36	43130-78030	110 - 8
38835-61A00	100 - 19	39472-82000	095 - 38		111 - 6
38838-82000	100 - 20		096 - 37	43210-00010	110 - 1-2
38839-82000	100 - 21			43210-00020	110 - 1-3
38842-61A00	100 - 14			43210-56B20	110 - 3-1
38843-61A01	100 - 15			43210-60A20-	110 - 1-1
38850-50F50	095 - 5			43210-85C00	110 - 2
	095 - 21			43210-85C50-	110 - 3-2
	095 - 34			43211-85C20	111 - 1
	096 - 4			43215-85C00 ✓	107 - 3
	096 - 20	41111-56B03	102 - 15-2	43252-60A10	110 - 6
	096 - 33	41111-85C10	102 - 15-3		111 - 4
38850-86C00	222 - 20	41111-85C30	102 - 15-1	43252-85C00	110 - 5
38851-77E00	095 - 46	41211-60A00	102 - 17		111 - 3
38851-77E10	095 - 47		107 - 19	43281-85C30	111 - 2

**40000**

PART NO.	FIG. NO.	-REF. NO.	PART NO.	FIG. NO.	-REF. NO.	PART NO.	FIG. NO.	-REF. NO.
43420-77E10	105	- 1	45151-60A00	102	- 2	48225-57B50	114	- 7-2
43421-80001	105	- 22	45201-85C00	102	- 18	48228-60A00	114	- 8
43440-77E00	105	- 18-2	45202-85C00	102	- 19	48229-60A00	114	- 9
43440-85C00	105	- 18-1	45253-85C00	102	- 21	48239-85C00	114	- 10
43445-60A11	105	- 19-2	45254-85C00	102	- 25	48400-77E00-	114	- 12-3
43445-85C00	105	- 19-1	45700-85C00	102	- 28	48400-77E10-	114	- 12-4
43461-60A01	105	- 12-1	45706-60A00	102	- 29	48400-77E60-	114	- 12-1
43461-60A30	105	- 12-2	45715-60A00	102	- 30	48400-77E60-	114	- 12-2
43462-85C00	105	- 14	46200-50830	107	- 1	48491-77E00	114	- 2
43465-60A00	105	- 13-1	46206-60A00	107	- 2	48600-56B70	115	- 1
43465-60A30	105	- 13-2	46310-85C00	107	- 11	48600-60A22	116	- 1
43466-60A00	105	- 10-1	46314-85C00	107	- 14	48671-60A20	116	- 2
43466-60A30	105	- 10-2	46320-85C00	107	- 12	48671-60A70	115	- 2
43471-60A00	105	- 23	46411-60A00	107	- 7	48674-63240	115	- 4
43485-73000	108	- 10	46510-86C00	106	- 1		116	- 4
	109	- 7	46517-85C00	106	- 2	48691-56B70	115	- 5-1
43486-85C00	105	- 15	46520-60A00	106	- 5	48691-56B71	115	- 5-2
43511A60A00	108	- 1	46543-85C00	051	- 21	48691-60A21	116	- 5
43511-60A10	109	- 1-1		070	- 5	48721-60A00	115	- 10
43511-77E00	109	- 1-2		074	- 32		116	- 10
43588-73000	108	- 12		106	- 13	48750-60A00	115	- 12
	109	- 9	46581-85C00	106	- 8-1		116	- 12
43810-60A30-	105	- 5	46583-85C00	106	- 9	48760-60A01	115	- 16
43810-60A40-	105	- 3	48110-50G01-	113	- 1-1		116	- 16
43811-60A30	105	- 7	48110-50G02-	113	- 1-2	48771-60A00	115	- 11
43838-60A30	105	- 4	48110-62G00-	112	- 1-1		116	- 11
	105	- 6	48110-62G01-	112	- 1-2	48775-60A00	115	- 8
43841-80001	105	- 25	48118-50G00-	113	- 2-1		116	- 8
44101-85C20	104	- 1	48118-50G00-	113	- 2-2	48810-85C00	115	- 21
44102-85C00	104	- 2	48119-50G00-	113	- 3-1		116	- 21
44141-85C00	105	- 8	48119-50G00-	113	- 3-2	48814-85C00	115	- 22
44182-60A01	105	- 9	48120-62G50-	112	- 2-1		115	- 28
44210-56B00	108	- 3	48120-62G50-	112	- 2-2		116	- 22
44211-85C10	109	- 3	48150-51G70-	113	- 4-1		116	- 28
44220-60A00	108	- 4	48150-51G71-	113	- 4-2	48820-85C00	115	- 27
44221-85C10	109	- 4	48200-77E00	114	- 1-1		116	- 27
44231-85C00	108	- 5	48200-77E10	114	- 1-2	48836-85C00	115	- 25
45070-86CA0	117	- 27	48220-62A11	114	- 6		116	- 25
45071-86CA0	123	- 26	48220-77E10	114	- 5	48850-85C00	115	- 18
45111-60A00	102	- 1	48225-56B50	114	- 7-1		116	- 18

PART NO.	FIG. NO.	-REF. NO.	PART NO.	FIG. NO.	-REF. NO.	PART NO.	FIG. NO.	-REF. NO.
49100-56B20	117	- 1-1	49230-79E00	117	- 17-1	49751-79001	119	- 14
	118	- 1-1	49230-79E01	117	- 17-2		119	- 21
49100-56B21	117	- 1-2	49251-85C00	117	- 21		120	- 14
	118	- 1-2		118	- 29		120	- 21
49100-86CC0	117	- 1-3	49252-85C00	117	- 22	49751-86300	121	- 14
49111-56B20	117	- 2		118	- 30		122	- 14
	118	- 2	49253-85C00	117	- 24	49810-62A01	120	- 20
49112-56B20	117	- 3-1		118	- 32	49810-62A52	119	- 20
	118	- 3-1	49410-62A01	120	- 1	49818-77500	119	- 23
49112-56BA0	117	- 3-2		122	- 1		120	- 23
	118	- 3-2	49410-62A51	119	- 1	49821-62A51	119	- 26
49113-56B20	117	- 4		121	- 1	49821-77500	119	- 25
	118	- 4	49416-60A00	119	- 9		120	- 25
49114-56B20	117	- 5		120	- 9	49831-62A00	120	- 24
	118	- 5		121	- 9	49831-62A50	119	- 24
49115-56B20	117	- 6		122	- 9			
	118	- 6	49451-60B00	119	- 3			
49120-56B00	117	- 7-2		120	- 3			
	118	- 7-2		121	- 3			
49120-56B12	117	- 7-1		122	- 3			
	118	- 7-1	49481-85C00	119	- 2	50027-00000	195	- 24
49140-56B00	117	- 12		120	- 2	51010-58B30	126	- 12
	118	- 12		121	- 2	51020-56B20	125	- 12
49141-60A00	117	- 13		122	- 2	51020-56B40	123	- 12
	118	- 13	49511-60A00	119	- 7	51020-58B00	124	- 12
49200-56B10	118	- 16-2		120	- 7	51100-56B10	123	- 1
49200-60A21	118	- 16-1		121	- 7	51100-56B20	125	- 1
49210-56B20	118	- 23-1		122	- 7	51100-57B00	124	- 1-1
49210-56B21	118	- 23-2	49610-62A00	120	- 13	51100-57B10	126	- 1-1
49211-60A70	117	- 16	49610-62A10	122	- 13	51100-57B50	124	- 1-2
49214-56B00	117	- 18	49610-62A51	119	- 13		126	- 1-2
	118	- 24	49610-62A62	121	- 13	51100-70841	123	- 2
49222-60A00	118	- 17	49691-62A00	119	- 18		125	- 2
49223-60A00	118	- 20		120	- 18	51118-36213	068	- 5-2
49224-60A00	118	- 19-1		121	- 18		068	- 10-1
	118	- 21		122	- 18	51132-82003	123	- 14
49225-56B00	118	- 26	49710-62A01	120	- 33		124	- 14
49225-60A00	118	- 25	49710-62A11	122	- 20		125	- 13
49226-56B00	118	- 18	49710-62A53	119	- 33		126	- 13
49227-56B00	118	- 19-2	49710-62A63	121	- 20	51182-60A60	123	- 8-1

**50000**

PART NO.	FIG. NO. -REF. NO.	PART NO.	FIG. NO. -REF. NO.	PART NO.	FIG. NO. -REF. NO.
51182-77E00	124 - 8-1	51410-57B50	128 - 1	51540-85C00	127 - 10
	125 - 8-1	51410-85C00	127 - 1-1		128 - 17
	126 - 8-1	51420-77E10	127 - 7		129 - 11
	123 - 8-2		128 - 13	51550-85C00	127 - 13
	124 - 8-2		129 - 7		128 - 19
51197-85520	125 - 8-2	51430A60A00	129 - 12		129 - 14
	126 - 8-2	51430A60A60	127 - 11-1	51560-83031	127 - 26
	123 - 5	51430-57B00	127 - 11-2		128 - 25
	124 - 5	51430-57B50	128 - 18		129 - 27
	125 - 5	51435-60A00	127 - 12	51570-77E00	129 - 6
51200-56B00	126 - 5		128 - 14	51570-85C00	127 - 6
	125 - 3		129 - 13		128 - 12
	51200-60A60	51440-57B50	128 - 3	51591-85C00	127 - 15
	51200-77E00	51450-57B50	128 - 4		128 - 21
	126 - 3	51460-56B20	127 - 18-2		129 - 16
51220-60A20	123 - 7		129 - 19-2	51592-85C00	127 - 16
	124 - 7	51460-56B60	128 - 23-2		128 - 22
	125 - 7	51460-60A00	127 - 18-1		129 - 17
	126 - 7		129 - 19-1	51593-85C00	127 - 14
51234-60A20	123 - 6	51465-60A00	127 - 19		128 - 20
51300-56B00	124 - 6		128 - 24		129 - 15
	125 - 6		129 - 20	51620-60B00	128 - 5
	126 - 6	51470-56B00	127 - 27-2	51640-60A30	127 - 4
	125 - 9		128 - 26-2		129 - 4
	51300-60A60	123 - 9		51640-60A60	128 - 9
51300-77E00	124 - 9	51470-60A10	127 - 27-1	51751-60B00	127 - 3
51300-77E10	126 - 9		128 - 26-1		128 - 11
51340-56B20	127 - 17-2		129 - 28-1	51752-70B00	129 - 3
	129 - 18-2	51480-56B01	127 - 28-2	51781-85C00	127 - 8
51340-60A00	127 - 17-1		128 - 27-2		127 - 30
	129 - 18-1		129 - 29-2		128 - 15
51340-60A60	128 - 23-1	51480-60A11	127 - 28-1		128 - 29
51350-56B20	127 - 25-2		128 - 27-1		129 - 8-1
	129 - 26-2		129 - 29-1		129 - 8-2
51350-60A00	127 - 25-1	51490-57B50	128 - 7		129 - 31
51380-60A11	129 - 26-1	51510-57B50	128 - 8	51791-50G50	128 - 31
	123 - 19	51520A56B00	129 - 2	51791-85C00	093 - 66
	124 - 19	51520-57B00	127 - 2-2		127 - 31
51410A56B00	129 - 1	51520-57B50	128 - 2		128 - 30
51410-57B00	127 - 1-2	51520-85C00	127 - 2-1		129 - 32

PART NO.	FIG. NO. -REF. NO.	PART NO.	FIG. NO. -REF. NO.	PART NO.	FIG. NO. -REF. NO.
51810-57B00	156 - 17		135 - 8	54711-60A00	136 - 8
	124 - 2	53331-60A70	134 - 9	55100-56810	132 - 5
	126 - 2		135 - 9	55100-56820	132 - 6
	124 - 13-2	53400-60830	134 - 12	55100-60810	131 - 5-1
	124 - 13-1		135 - 12	55100-60820	131 - 6
51831-60A01	123 - 13-1	53401-56B60	134 - 10	55101B60A00	131 - 1-2
51831-60A10	123 - 13-2		135 - 10	55101-56B30	132 - 1
51911-85C00	123 - 17	53402-56B60	134 - 11	55101-60A30	131 - 1-1
	123 - 18		135 - 11	55102B60A00	131 - 2-2
	124 - 17	53417-82030	134 - 16	55102-56B30	132 - 2
	124 - 18		135 - 16	55102-60A30	131 - 2-1
51930-56B20	125 - 16	53441-56B00	134 - 13	55156-66310	131 - 4
	126 - 16		135 - 13		132 - 4
	127 - 20-2	53720-60A40	134 - 22		134 - 15
	129 - 21-3	53720-77E00	135 - 22		135 - 15
51930-60A20	129 - 21-1	53730-77E00	135 - 23	55191-56B00	132 - 8
51930-60A40	127 - 20-1	53753-82030	134 - 24	55191-60A00	131 - 8
	129 - 21-2		135 - 24	55200-56870	132 - 10
51955-60A20	127 - 22	53781-77E01	134 - 17	55200-63810	131 - 10-1
	129 - 23		135 - 17	55201-56B00	132 - 9
52415-00000	212 - 12-3	53782-77E01	134 - 18	55201-60A00	131 - 9
52415-00000-	212 - 12-4		135 - 18	55206-60A00	131 - 7
52416-00000	212 - 13-6	53791-77E01	134 - 21		132 - 7
52416-00000-	212 - 13-7		135 - 21	55211-56B00	132 - 12
52519-00000	203 - 4-1	53810-77E00	134 - 19	55211-60A00	131 - 12
53001B60A00	133 - 0		135 - 19	55221-85C00	131 - 13
53002B60A00	133 - 0	53820A60A00	133 - 12		132 - 13
53110-60A40	134 - 1	53820-60A00	134 - 27	55222-85C00	131 - 14
53110-77E50	135 - 1		135 - 27		132 - 14
53120-60A40	134 - 2	53820-77E00	134 - 20	55234-56B00	132 - 11
53120-77E50	135 - 2		135 - 20	55234-60A00	131 - 11
53141-84010	134 - 4	54100-60A10	136 - 1	55391-85C00	131 - 15
	135 - 4	54410-56B60	136 - 11-2		132 - 15
53200-60880	134 - 5	54410-60A60	136 - 11-1	55473-82030	131 - 3-1
53200-77811	135 - 5	54420-56B60	136 - 12-2		132 - 3
53231-56B00	135 - 6	54420-60A60	136 - 12-1		134 - 14
53232-85120	134 - 6	54431-56B00	136 - 15		135 - 14
53241-82030	134 - 7	54510-60A00-	136 - 5-1	56100-61A00	130 - 1
	135 - 7	54510-60A00-	136 - 5-2	56110-61A00	130 - 2
53243-85010	134 - 8	54611-60A00	136 - 6	56120-50G50	130 - 3

PART NO.	FIG. NO.	-REF. NO.	PART NO.	FIG. NO.	-REF. NO.	PART NO.	FIG. NO.	-REF. NO.
56130-50G50	130	- 4	57381-56B01	138	- 14		144	- 2
56140-60A00	130	- 8	57411-56B00	138	- 15	58300-63A20	141	- 1
56150-61A00	130	- 5	57412-56B00	138	- 16	58410-60A30	141	- 2
56160-61A00	130	- 6	57481-60A00	137	- 16	58600-60A21	142	- 1-1
56210-61A00	130	- 9	57482-60A00	137	- 17	58600-66A10	142	- 1-2
56220-61A00	130	- 10	57511-60A00	137	- 18	58700-85C30	143	- 6-1
56300-60A00	130	- 13		138	- 17	58700-85C40	144	- 6-1
56320-60A00	130	- 17	57521-60A00	137	- 19	58700-85C60	144	- 6-2
56360-50G50	130	- 12		138	- 18	58700-86CB0	143	- 6-2
56411-61A00	130	- 19	57551-60A00	137	- 6	58712-60A10	143	- 8-1
57000-57B40	138	- 1-2	57561-60A00	137	- 7		144	- 8-1
57000-57B50	138	- 1-1	57620-60A00	137	- 20	58712-60A11	143	- 8-2
57000-85C21	137	- 1-1		138	- 19		144	- 8-2
57000-85C30	137	- 1-2	57630-60A00	137	- 21	58717-60A00	143	- 10
57000-86CA0	137	- 1-3		138	- 20	58730-85C00	143	- 11
57000-86CB0	138	- 1-3	57710-56B20	138	- 6-1		144	- 10
57110-56B21	138	- 2-1	57710-56B30	138	- 6-2	58740-60A00	143	- 13
57110-56B31	138	- 2-2	57710-60A00	137	- 8-1		144	- 12
57110-60A21	137	- 2-1	57710-60A10	137	- 8-2	58755-60A00	143	- 15
57110-60A31	137	- 2-2	57720-56B20	138	- 7-1		144	- 14
57160-56B20	138	- 3-1	57720-56B30	138	- 7-2	58760-85C00	143	- 17
57160-56B30	138	- 3-2	57720-60A00	137	- 9-2	58771-56B00	143	- 18
57160-60A20	137	- 4-1	57720-60A10	137	- 9-1		144	- 16
57160-60A30	137	- 4-2	57730-56B10	137	- 22	58800-60A21	142	- 2-1
57210-56B20	138	- 4-1		138	- 21	58800-66A10	142	- 2-2
57210-56B30	138	- 4-2	57740-56B00	137	- 23	58900-57B01	143	- 7
57211-60A20	137	- 5		138	- 22	58900-63A10	144	- 7-2
57213-56B00	138	- 5	57810-77E00	137	- 24	58900-63A30	144	- 7-1
57220-56B20	137	- 10		138	- 23	58912-60A10	143	- 9
	138	- 8	57820-77E00	137	- 25		144	- 9
57260-56B01	138	- 9		138	- 24	58930-56B01	143	- 12
57260-60A10	137	- 11	57831-56B00	137	- 26		144	- 11
57264-56B00	138	- 10		138	- 25	58941-60A00	143	- 14
57310-56B00	138	- 11	57841-56B00	137	- 27		144	- 13
57310-60A01	137	- 12		138	- 26	58955-60A00	143	- 16
57320-56B00	138	- 12	57941-60A00	137	- 28		144	- 15
57320-60A01	137	- 13	57942-60A00	137	- 3	58970-56B01	143	- 19
57370-60A00	137	- 14	58110-85C00	143	- 1		144	- 17
57371-56B00	138	- 13		144	- 1	59110-56B11	144	- 18
57380-60A00	137	- 15	58190-56B10	143	- 2	59110-56B20	143	- 20

PART NO.	FIG. NO.	-REF. NO.	PART NO.	FIG. NO.	-REF. NO.	PART NO.	FIG. NO.	-REF. NO.	PART NO.	FIG. NO.	-REF. NO.
59119-85C00	139	- 18				59941-85C00	153	- 11	61100-57B00	143	- 27
	140	- 17					154	- 11	61100-57B20	144	- 25
59211-60A01	143	- 21					207	- 11	61400-58B10	146	- 1-1
59211-60A11	144	- 19					207	- 13	61400-58B70	146	- 1-2
59310-56B23	143	- 22					208	- 11	61400-63A80	145	- 1-1
59310-56B32	144	- 20					208	- 13	61400-63A90	145	- 1-2
59410-60A01	143	- 23-2					209	- 4	61440-60A00	145	- 2
	144	- 21-2					210	- 30		146	- 2
59411-60A01	143	- 23-1					210	- 46	61450-56B00	146	- 3
	144	- 21-1					211	- 27	61450-60A10	145	- 3
59412-60A00	143	- 24					211	- 30	61461-60A00	145	- 5
	144	- 22	59951-85C00	182	- 3-1				61480-57B10	147	- 1
59420-60A01	143	- 25-2	59961-85C00	172	- 8					148	- 1
	144	- 23-2		173	- 7					149	- 1
59421-60A01	143	- 25-1	59971-85C00	137	- 29-2				61490-60A00	147	- 3
	144	- 23-1		138	- 27-2					148	- 3
59422-60A00	143	- 26	59972-85C00	153	- 15				61491-56B00	149	- 3
	144	- 24		154	- 4				61492-80000	147	- 5
59811-85C00-	170	- 37-2	59981-85C00	142	- 9-1					148	- 5
	171	- 48-2		142	- 9-2				61550-56B00	146	- 4
	171	- 48-4		156	- 12				61550-60A10	145	- 4
	171	- 48-6		189	- 22				61561-60A00	145	- 6
59911-85C00	142	- 5		189	- 27				61580-57B10	147	- 2
59916-85C00	166	- 18		191	- 22					148	- 2
59918-85C00	176	- 16		192	- 25					149	- 2
	177	- 24		192	- 30				61590-60A00	147	- 4
	178	- 23		194	- 24					148	- 4
	179	- 31		195	- 27				61591-56B00	149	- 4
	181	- 23		195	- 32				61641-60A10	145	- 7
59931-85C00	139	- 20		197	- 24					146	- 5
	140	- 19		200	- 14				61700-56B10	146	- 6
59932-85C00	142	- 10-1	59991-85C00	167	- 2				61760-56B50	146	- 7
	142	- 10-2		168	- 2				62111-56B20	146	- 8
59933-85C00	167	- 7							62111-60A20	145	- 8
	168	- 8							62120-56B50	146	- 9
59934-85C00-	169	- 14-1							62120-60A10	145	- 9
	169	- 37-1							62131-56B50	146	- 10
	170	- 14-1							62131-60A00	145	- 11
	170	- 28-1							62132-60A00	145	- 12
	171	- 41-1								145	- 15

60000

PART NO.	FIG. NO. -REF. NO.	PART NO.	FIG. NO. -REF. NO.	PART NO.	FIG. NO. -REF. NO.
62141-56B50	146 - 11	63610-62A20	147 - 9-1	64217-60A00	147 - 25
62210-56B10	146 - 12	63610-63A60	148 - 10-1	64218-60A00	147 - 26
62210-60A20	145 - 10-2	63610-63A70	148 - 10-2	64219-85C00	147 - 27
62210-60A30	145 - 10-1	63610-85C00	147 - 9-2	64219-85C10	147 - 28
62310-56B00	146 - 13	63621-56B10	149 - 12	64221-56B00	149 - 31
62310-85C20	145 - 13-2	63621-60A10	147 - 12	64230-60A00	147 - 35
62310-85C30	145 - 13-1	63710-60A10	147 - 14		148 - 30-1
62331-85C00	145 - 14	63711-56B01	149 - 14-2	64231-56B10	149 - 33
62510-57B21	146 - 14	63711-56B11	149 - 14-1	64231-60A10	148 - 30-2
62510-62A40	145 - 16	63712-56B00	148 - 11	64241-56B10	149 - 35
63111-56B20	149 - 5-2		149 - 16	64241-61A00	148 - 24
63111-56B30	149 - 5-1	63810-56B00	149 - 18	64250-56B01	149 - 37
63111-60A10	147 - 6-1	63811-60A00	147 - 16	64250-61A00	148 - 28
63111-60A20	147 - 6-2		148 - 13	64250-62A20	147 - 33
63111-61A20	148 - 6-2	64110B60A90	147 - 17-3	64260-66A00	147 - 51
63111-61A30	148 - 6-1	64110B63A00	147 - 17-1		148 - 42
63121-56B00	149 - 7	64110-61A20	148 - 14-1	64310-56B01	149 - 39
63210-56B40	149 - 9	64111-57B10	149 - 19-3	64310-60A00	147 - 31
63210-62A20	147 - 8-1	64111-57B20	149 - 19-1	64310-61A01	148 - 26
63210-63A60	148 - 8-1	64111-61A30	148 - 14-3	64352-86CB0	040 - 23
63210-63A70	148 - 8-2	64111-66A10	147 - 17-4	64360-56B00	149 - 41
63210-85C00	147 - 8-2	64111-77E20	149 - 19-2	64370-56B00	149 - 43-2
63221-56B10	149 - 11	64111-78E10	148 - 14-2	64370-56B10	149 - 43-1
63221-60A10	147 - 11	64111-85CA0	147 - 17-2	64381-58B00	149 - 48
63310-60A00	147 - 13	64112-56B00	149 - 21	64510B63A00	147 - 18-1
63311-56B01	149 - 13-2	64120-57B01	149 - 23	64510-62A40	148 - 15-1
63311-56B11	149 - 13-1	64120-60A10	147 - 29	64511-57B10	149 - 20-1
63312-56B00	148 - 9		148 - 18	64511-57B20	149 - 20-3
	149 - 15	64130-61A00	148 - 20	64511-60A10	147 - 18-3
63410-56B00	149 - 17		149 - 25	64511-61A10	148 - 15-3
63410-60A00	147 - 15	64141-61A00	148 - 22	64511-77E10	149 - 20-2
	148 - 12	64151-60A00	147 - 19	64511-78E30	148 - 15-2
63511-56B20	149 - 6-2		148 - 16	64511-85CA0	147 - 18-2
63511-56B30	149 - 6-1		149 - 27	64511-85CB0	147 - 18-4
63511-60A00	147 - 7-1	64211-56B00	149 - 28	64512-56B00	149 - 22
63511-60A30	147 - 7-2	64214-60A00	147 - 20	64515-60A02	147 - 22
63511-61A20	148 - 7-2		148 - 17	64516-60A00	147 - 24
63511-61A30	148 - 7-1		149 - 30	64520-57B01	149 - 24
63521-56B00	149 - 8	64215-60A02	147 - 21	64520-60A10	147 - 30
63610-56B40	149 - 10	64216-60A00	147 - 23		148 - 19

PART NO.	FIG. NO. -REF. NO.	PART NO.	FIG. NO. -REF. NO.	PART NO.	FIG. NO. -REF. NO.
64530-61A00	148 - 21	65965-60A00	147 - 42	69520-85C00	198 - 3
	149 - 26	65965-61A00	148 - 33		199 - 3
64541-61A00	148 - 23		149 - 45		
64550-62A20	147 - 34	65966-60A00	147 - 43		
64611-56B00	149 - 29	65966-61A00	148 - 34		
64621-56B00	149 - 32		149 - 46		
64631-56B10	149 - 34	65971-77E00	145 - 20		
64641-56B10	149 - 36		146 - 15		
64641-61A00	148 - 25	65981-56B00	151 - 5		
64650-56B00	149 - 38-1	65981-61A10	150 - 5-1		
64650-56B01	149 - 38-2		150 - 5-2	71410-56B00	140 - 1
64650-61A00	148 - 29	65982-56B00	152 - 4	71410-60A01	139 - 1
64660-66A00	147 - 52	65995-60A01	145 - 17	71410-86CB0	040 - 33-1
	148 - 43	65996-60A01	145 - 18	71410-86CC0	040 - 33-1
64710-56B11	149 - 40	67700A60A20	198 - 1-2	71420-56B21	140 - 2
64710-60A10	147 - 32	67700-85C00	198 - 1-1	71420-60A11	139 - 2
64710-61A21	148 - 27	67730-85C00	198 - 2	71420-86CB0	040 - 32-1
64760-56B00	149 - 42	68001-57B10	192 - 1-1	71420-86CC0	040 - 32-1
64781-58B00	149 - 49	68001-66A11	189 - 1-1	71451-60A00	139 - 3
65110-56B20	152 - 1	68001-67A21	189 - 1-2	71461-56B00	140 - 3
65110-60A00	147 - 36	68001-77810	192 - 1-3	71461-60A00	139 - 4
65111-56B00	151 - 1	68002-57B10	192 - 2-1	71471-56B00	140 - 4
65111-61A10	150 - 1	68002-66A11	189 - 2-1	71471-60A00	139 - 5
65115-60A00	147 - 37-1	68002-67A21	189 - 2-2	71481-56B00	140 - 5
65115-60A10	147 - 37-2	68002-77810	192 - 2-3	71481-60A00	139 - 6
65120-56B00	151 - 2	68003-57B11	195 - 1-1	71491-56B00	140 - 6
65120-60A10	147 - 38-1	68003-77810	195 - 1-2	71511-56B00	140 - 7
65120-61A00	150 - 2	68004-57B11	195 - 2-1	71511-60A00	139 - 7
65120-85C00	147 - 38-2	68004-77810	195 - 2-2	71512-60A10	139 - 8
65130-56B20	152 - 2	69100A61A50	199 - 1		140 - 8
65130-61A20	150 - 3	69275-78200	184 - 13	71513-60A00	139 - 9
	151 - 3	69310-85C00	189 - 3		140 - 9
65141-56B00	151 - 4		192 - 3	71514-56B00	140 - 10
	152 - 3	69340-85C00	189 - 4	71514-60A00	139 - 10
65141-61A20	150 - 4		192 - 4	71515-60A00	139 - 11
65950-56B00	149 - 44-2	69410-56B10	195 - 3		140 - 11
65950-56B10	149 - 44-1	69430-56B10	195 - 4	71516-85C00	139 - 12
65950-60A00	147 - 40	69440-56B10	195 - 5		140 - 12
	148 - 31-1	69460-56B10	195 - 6	71517-56B02	139 - 13
65950-60A20	148 - 31-2	69510-85C00	199 - 2		140 - 13

70000

PART NO.	FIG. NO. -REF. NO.	PART NO.	FIG. NO. -REF. NO.	PART NO.	FIG. NO. -REF. NO.
71521-56B00	139 - 14		154 - 7	72810-85C00	182 - 1
	140 - 14	72115-56B01	153 - 8	72820-85C00 ✓	182 - 9
71632-83010	139 - 15		154 - 8	72850-60A10	198 - 6
	140 - 15	72115-60A00	153 - 9	72893-60A10	198 - 10
71700-56810-	153 - 2-3		154 - 9	73111-77E00-	159 - 1-1
	154 - 1-1	72115-85C00	169 - 3	73111-77E02-	159 - 1-2
71700-63A00	153 - 1-1		170 - 3	73111-77E12-	157 - 1-1
71711-56B20-	153 - 2-4		172 - 1		158 - 1-1
	154 - 1-2		172 - 2	73111-77E12-	157 - 1-2
71711-63A10-	153 - 2-1		173 - 1		158 - 1-2
71711-63A90-	153 - 2-2	72121-56B00	153 - 10	73113-60G00 ✓	158 - 76
71720-56B10	153 - 1-2		154 - 10	73170-50A00	166 - 19
	154 - 2	72211-56B01	139 - 16	73210-77E10	158 - 12
71751-63A00	155 - 3		140 - 16	73225-77E00	158 - 43
71752-63A00	155 - 4	72281-56B00	156 - 16	73231-77E00	157 - 12
71752-86000	155 - 2	72311-60A00	144 - 35		159 - 12
71771-56B00	153 - 3-2	72372-85C00	141 - 4	73235-77E00	158 - 44
	154 - 3		198 - 5	73242-77E00	157 - 13
71771-60A00	153 - 3-1	72372-85C10	182 - 3-2		159 - 13
71811-56B10-	156 - 1-1	72411-60A01	143 - 4	73250-77E01	159 - 14
71811-56B30-	156 - 1-2		144 - 4	73250-77E11	157 - 14
71811-63A30-	155 - 1-1	72421-60A00	143 - 28		158 - 13
71811-63A30-	155 - 1-2		144 - 26	73261-50G00	157 - 2
71815-60A01	155 - 7	72431-60A02	141 - 5		158 - 2
	156 - 2	72450-60A11	144 - 28		159 - 2
71816-60A01	155 - 8	72471-60A00	143 - 29	73271-77E00	158 - 14
	156 - 3		144 - 27	73311-77E00-	157 - 3
71817-56B00-	156 - 4	72481-85C00	142 - 7		158 - 3
71817-60A20	155 - 5	72482-85C00	142 - 8		159 - 3
	156 - 19	72485-60A00	143 - 30	73410-77E00-	157 - 8-1
71820-56B21	156 - 5		144 - 29		158 - 8-1
71820-63A11	155 - 9	72491-60A00	143 - 34		159 - 8-1
71827-56B10	156 - 6		144 - 37	73410-77E00-	157 - 8-2
71828-56B10	156 - 7	72511-60A02	143 - 35		158 - 8-2
71830-56B00	156 - 9	72511-86000	144 - 38-1		159 - 8-2
71840-56B00	156 - 10	72512-85C00	143 - 36	73413-82C00	157 - 60
71854-60A00	155 - 10		144 - 39-2		159 - 60
71869-60A00	153 - 4	72512-85C10	143 - 37	73419-50G00	157 - 11
	155 - 11		144 - 39-1		158 - 11
72111-56B11	153 - 7		144 - 40		159 - 11

PART NO.	FIG. NO. -REF. NO.	PART NO.	FIG. NO. -REF. NO.	PART NO.	FIG. NO. -REF. NO.
73423-50G00	157 - 9		158 - 18-2	73911-62A30-	166 - 2-1
	157 - 61		159 - 18-2	73911-62A30-	166 - 2-2
	158 - 9	73822-77E00-	157 - 19-1	73915-60A00	166 - 16
	159 - 9		158 - 19-1	73920-79E10-	166 - 6-4
	159 - 61		159 - 19-1	73921-56B00-	166 - 6-3
73430-77810-	097 - 6	73822-77E00-	157 - 19-2	73921-60A10	166 - 6-1
	157 - 10-1		158 - 19-2	73921-77E00	160 - 1
	158 - 10-1		159 - 19-2	73921-77E40-	157 - 62
	159 - 10-1	73841-78E00-	157 - 22-2		159 - 62
73430-77810-	097 - 6		158 - 22-2	73921-79E00-	166 - 6-2
	157 - 10-2		159 - 22-2	73922-56B00-	166 - 12-2
	158 - 10-2	73845-78E00	157 - 57	73922-60A10-	166 - 12-1
	159 - 10-2		158 - 78	73922-77E00-	160 - 2
73461-77E00	157 - 15		159 - 57	73922-77E40-	157 - 63
	158 - 15	73856-82000	162 - 32		159 - 63
	159 - 15		163 - 31	73923-56B00	166 - 14
73610-77E00-	161 - 1-1	73861-77E00	157 - 20	73923-77E40	157 - 64
73610-77E00-	161 - 1-2		158 - 20		159 - 64
73620-77E00-	161 - 2-1		159 - 20	73924-77E40-	157 - 65
73620-77E00-	161 - 2-2	73871-77E00-	157 - 21-1		159 - 65
73671-83000-	161 - 3-1		158 - 21-1	73924-79E00-	166 - 12-3
73671-83000-	161 - 3-2		159 - 21-1	73927-77E40	157 - 71
73681-77E00	161 - 6	73871-77E00-	157 - 21-2		159 - 71
73691-77E00	161 - 7		158 - 21-2	73930-77E40-	157 - 66
73811-77E00-	157 - 16-1		159 - 21-2		159 - 66
	158 - 16-1	73871-86CA0-	157 - 21-3	73931-60A00	166 - 3
	159 - 16-1		158 - 21-3	73931-60A10	166 - 4
73811-77E00-	157 - 16-2	73871-86CA0-	157 - 21-4	73932-60A10	166 - 5
	158 - 16-2		158 - 21-4	73933-56B00	166 - 7-2
	159 - 16-2	73880-77E00	157 - 34	73933-60A00	166 - 7-1
73813-77E00-	157 - 17-1		158 - 38	73934-60A00	166 - 8
	158 - 17-1		159 - 34	73937-77E00	158 - 45
	159 - 17-1	73892-77E00	157 - 35	73940-77E40-	157 - 67
73813-77E00-	157 - 17-2		158 - 39		159 - 67
	158 - 17-2		159 - 35	74019-85C00	162A - 1-1
	159 - 17-2	73910-77E01-	160 - 5-1	74019-86C00	162A - 1-2
73821-77E00-	157 - 18-1	73910-77E01-	158 - 81	74100-64A21	163A - 1
	158 - 18-1		160 - 5-2	74100-65A20	163 - 1
	159 - 18-1	73911-62A20-	166 - 1-1	74100-85C10	162 - 1
73821-77E00-	157 - 18-2	73911-62A20-	166 - 1-2	74111-64A21	163A - 2

PART NO.	FIG. NO.	-REF. NO.	PART NO.	FIG. NO.	-REF. NO.	PART NO.	FIG. NO.	-REF. NO.
74111-65A20	163	- 2		164	- 5	74184-85C00	164	- 7
74111-85C10	162	- 2	74161-85C00	162	- 10	74190-64A00	163	- 22
	162A	- 2		162A	- 10		163A	- 22
74112-64A20	163	- 3	74162-85C00	162	- 11	74190-85C10	162	- 23
	163A	- 3		162A	- 11		162A	- 23
74112-85C10	162	- 3	74170-64A00	163	- 20	74199-60A00	163	- 12
	162A	- 3		163A	- 20		163A	- 12
74113-60A00	163	- 4	74170-85C10	162	- 21	74199-85C10	162	- 13
	163A	- 4		162A	- 21		162A	- 13
74113-85C10	162	- 4	74171-60A00	163	- 14	74200-60A01	165	- 1
	162A	- 4		163A	- 14	74200-85C30	164	- 1
74115-64A00	163	- 5	74171-85C10	162	- 15	74211-60A00	165	- 2
	163A	- 5		162A	- 15	74211-85C00	164	- 2
74115-85C00	162	- 5	74172-64A00	163	- 15	74212-60A01	165	- 3
	162A	- 5		163A	- 15	74212-85C00	164	- 3
74116-60A00	163	- 6	74172-80000	221	- 13	74215-60A00	165	- 10
	163A	- 6	74172-85C00	162	- 16	74215-85C00	164	- 8
	165	- 4		162A	- 16	74221-60A00	165	- 11
74116-85C00	162	- 6	74173-60A10	163	- 18	74222-60A00	165	- 12
	162A	- 6		163A	- 18	74231-60A10	165	- 13
74120-64A00	163	- 11	74173-85C10	162	- 19	74250-60A00	165	- 14
	163A	- 11		162A	- 19	74261-60A10	165	- 15
74120-85C10	162	- 12	74174-60A00	163	- 19	74262-60A00	163	- 9
	162A	- 12		163A	- 19		163	- 10
74131-82000	165	- 5	74174-85C10	162	- 20		163A	- 9
74133-82000	163	- 7		162A	- 20		163A	- 10
	163A	- 7	74176-64A01	163	- 16		165	- 16
	165	- 6		163A	- 16	74262-85C00	164	- 10
	217	- 7	74176-85C10	162	- 17	74268-85C00	164	- 11
74133-85C00	162	- 7		162A	- 17	74269-85C00	164	- 12
	162A	- 7	74180-64A00	163	- 21	74271-60A00	165	- 17
	164	- 4		163A	- 21	74271-85C00	164	- 13
74135-82000	165	- 7	74180-85C10	162	- 22	74281-60A00	165	- 18
74151-70D01	163	- 8		162A	- 22	74281-85C00	164	- 14
	163A	- 8	74183-82005	163	- 17	74282-60A00	165	- 19
	165	- 8		163A	- 17	74282-85C00	164	- 15
74151-85C00	162	- 8		165	- 9	74290-60A01	165	- 20
	162	- 9	74183-85C00	162	- 18	74290-85C00	164	- 16
	162A	- 8		162A	- 18	74299-85C00	164	- 17
	162A	- 9		164	- 6	74316-85500	221	- 9

PART NO.	FIG. NO.	-REF. NO.	PART NO.	FIG. NO.	-REF. NO.	PART NO.	FIG. NO.	-REF. NO.
74400-64A12	162	- 27		158	- 77	75180-56B00-	168	- 3-2
	163	- 26		159	- 56	75180-60A21-	167	- 3-1
74400-78E40	163A	- 26	74615-60A00	161	- 8	75180-60A21-	167	- 3-2
74400-78E50	162A	- 27	74620-60A00	163	- 38	75180-85C00	167	- 3-3
74431-64A10-	162	- 28		163A	- 40	75180-85C00-	167	- 3-4
	163	- 27	74620-60A10	162	- 38	75191-56B20	168	- 4
74436-77E00	162	- 29		162A	- 40	75191-60A00	167	- 4
	163	- 28	74621-77E00	161	- 9-2	75210-56B12	167	- 6-1
74436-78E01	163A	- 29	74621-77E10	161	- 9-1		168	- 7-1
74436-78E60	162A	- 30	74631-60A10	161	- 10	75210-56B22	167	- 6-2
74441-70B00	162	- 30	74632-60A00	161	- 11		168	- 7-2
	163	- 29	74633-60A00	161	- 12	75221-77E00	167	- 8
74450-64A00-	162	- 31	74812-82030	162	- 24		168	- 9
	163	- 30		162A	- 24	75270-56B01	141	- 14
74452-78E00	163A	- 27		163	- 23	75511-60A10	172	- 3
74452-78E10	162A	- 28		163A	- 23		173	- 2
74453-85C60	163A	- 28	74813-60B00	214	- 43	75512-56B00	173	- 3
74453-85C70	162A	- 29		218	- 43	75512-60A10	172	- 4
74456-64A00	162	- 33	74813-86CA0	222	- 7	75611-60A01	172	- 6
	163	- 32	74814-86CA0	222	- 6		173	- 5
74461-77E00-	157	- 22-1	74911-64A00	161	- 15	75711-60A00	172	- 7
	158	- 22-1	75140-56B00-	171	- 1-1		173	- 6
	159	- 22-1	75140-56B00-	171	- 1-2	75930-77E20	159	- 39
74461-78E00-	162A	- 31	75140-60A00-	170	- 4-1	75930-77E30	157	- 39
	163A	- 30	75140-60A00-	170	- 4-2	75930-77E50	158	- 46
74510-63G01-	162A	- 34-1	75140-60A10-	169	- 4-1	75957-77E00	040	- 28
	163A	- 33-1	75140-60A10-	169	- 4-2	75958-77E00	093	- 42
74510-63G11-	162A	- 34-2	75150-56B00-	171	- 2-1		094	- 38
	163A	- 33-2	75150-56B00-	171	- 2-2		157	- 40
74511-77E00	163	- 33	75150-60A00-	170	- 5-1		158	- 23
74511-85C10	162	- 34	75150-60A00-	170	- 5-2		158	- 24
74512-77E00	163	- 34	75150-60A10-	169	- 5-1		158	- 47
74512-77E10	162	- 35	75150-60A10-	169	- 5-2		158	- 48
74513-63G00	162A	- 35	75160-57B30-	168	- 1-1		158	- 49
	163A	- 34	75160-57B30-	168	- 1-2		159	- 40
74513-85C40	163	- 35	75160-63A50-	167	- 1-3	75970-77E10	158	- 50
74513-85C50	162	- 36	75160-64A10-	167	- 1-1	75980-77E10	158	- 51-1
74514-63G00	162A	- 36	75160-85C09-	167	- 1-2	75980-77E40	158	- 51-2
	163A	- 35	75160-85C11-	167	- 1-4	76110-56B10-	171	- 3-1
74515-63G00	157	- 56	75180-56B00-	168	- 3-1	76110-56B10-	171	- 3-2



















PART NO.	FIG. NO. -REF. NO.	PART NO.	FIG. NO. -REF. NO.	PART NO.	FIG. NO. -REF. NO.
	129 - 10		214 - 41		129 - 5
	130 - 7		214 - 50		214 - 15
	130 - 11		215 - 17		214 - 28
	130 - 14		218 - 12-1	01550-06503	003 - 18
	134 - 3		218 - 12-2		004 - 18
	135 - 3		218 - 15-1	01550-08203	023 - 17
	142 - 3		218 - 19		023 - 25
	142 - 4		218 - 25		023 - 28
	143 - 3		218 - 39		025 - 20
	143 - 5	01550-06163	015 - 21-1		051 - 16
	143 - 33		016 - 17		055 - 11
	144 - 3		048 - 15		066 - 4
	144 - 5		073 - 41		074 - 28
	144 - 32		086 - 22		076 - 13
	144 - 33	01550-06203	011 - 24		076 - 15
	145 - 19		012 - 24		077 - 13
	147 - 10		015 - 22-1		077 - 15
	147 - 39		016 - 18		078 - 13
	150 - 6		039 - 12		078 - 15
	151 - 6		214 - 30		117 - 10
	152 - 5		218 - 22		117 - 11
	154 - 6	01550-06253	003 - 17		118 - 10
	156 - 13		004 - 17		118 - 11
	162 - 25		011 - 25		118 - 22
	162A - 25		012 - 25		119 - 34-1
	163 - 24		023 - 5	01550-08203	120 - 34-2
	163A - 24		024 - 17		121 - 21-1
	164 - 18		038 - 9		122 - 21-1
	165 - 24		128 - 6		127 - 23
	187 - 28		214 - 14		129 - 24
	187 - 41		218 - 9		158 - 28
	188 - 4	01550-06303	005 - 20		158 - 67
	188 - 52		214 - 24-2		158 - 83
	201 - 7		218 - 15-2		160 - 7
	202 - 7	01550-06353	038 - 10		209 - 53
	206 - 30		218 - 30		210 - 38
	214 - 18	01550-06403	005 - 21		211 - 32
	214 - 22		046 - 31		212 - 10
	214 - 24-1		127 - 5		214 - 4
	214 - 32		128 - 10		214 - 10

PART NO.	FIG. NO. -REF. NO.	PART NO.	FIG. NO. -REF. NO.	PART NO.	FIG. NO. -REF. NO.
	218 - 4-1		075 - 7		009 - 21
	218 - 4-2	01550-08503	076 - 3		010 - 21
01550-08253	017 - 3		077 - 3	01560-10403	009 - 16
	017 - 4		078 - 3		010 - 16
	018 - 3	01550-08553	019 - 16	01560-10803	008 - 26
	018 - 4		044 - 3		009 - 23
	019 - 3		046 - 3		010 - 23
	019 - 11	01550-08803	075 - 6	01570-06103	098 - 3
	025 - 17	01550-08953	050 - 4		099 - 3
	043 - 19	01550-10203	017 - 24	01570-06163	033 - 22
	076 - 9		019 - 22	01570-08123	095 - 29-1
	077 - 9		026 - 17		095 - 29-2
	078 - 9		028 - 18		096 - 28-1
	214 - 5		044 - 10		096 - 28-2
	214 - 8-2		048 - 21	01570-10253	208 - 8
01550-08303	050 - 3		050 - 26	01570-10353	008 - 8
	050 - 7		052 - 17	01570-10453	054 - 9
	069 - 11		056 - 13	01570-12353	115 - 6
	075 - 5		117 - 9		115 - 7
	076 - 6		118 - 9		116 - 6
	077 - 6		209 - 51		116 - 7
	078 - 6		210 - 41	01570-86CA2	039A - 6
01550-08353	015 - 8		211 - 35	01570-86CA3	042A - 23
	019 - 4	01550-10253	015 - 2	01570-86CA4	021A - 4
	026 - 6		016 - 2	01570-86CA5	021A - 12
	027 - 3	01550-10403	050 - 10	01570-86CA6	123 - 25
	029 - 9	01550-10503	050 - 11	01570-86CB0	006A - 30
	030 - 15	01550-86CB0	026A - 16	01570-86CB1	006A - 34
	031 - 9	01560-10163	008 - 16	01580-06203	198 - 8
	032 - 9		008 - 24	01580-08203	119 - 34-2
	034 - 4		009 - 14		120 - 34-2
	076 - 2		009 - 28		121 - 21-2
	076 - 7		010 - 14		122 - 21-2
	077 - 2		010 - 28		182 - 2
	077 - 7	01560-10203	008 - 15	01580-86CA0	006A - 29
	078 - 2		008 - 23	01580-86CB0	006A - 31
	078 - 7		009 - 13	01590-86CB0	006A - 28
01550-08403	016 - 9		010 - 13	01610-86CA1	038A - 11
	048 - 11		030 - 6	01610-86CA2	038A - 12
01550-08453	037 - 2	01560-10303	008 - 18	01610-86CB0	006A - 33



PART NO.	FIG. NO. -REF. NO.	PART NO.	FIG. NO. -REF. NO.	PART NO.	FIG. NO. -REF. NO.
02037-86CA0	076A - 8		193 - 14	02142-06163	096 - 45
02038-86CA0	076A - 19		196 - 3		098 - 16
02040-86CA0	076A - 26		196 - 6		099 - 16
02112-04083	095 - 61		198 - 16		153 - 6
02112-05123	020 - 6		200 - 9		157 - 23
	020 - 10		200 - 10		157 - 24
	020 - 19	02112-86CA0	081A - 14		157 - 46
	157 - 28	02112-86CA1	081A - 16		157 - 47
	157 - 29	02112-86CA2	081A - 17		158 - 25
	158 - 29	02122-04083	105 - 11		158 - 64
	158 - 30	02122-04103	196 - 20		158 - 65
	159 - 28	02122-04163	157 - 68		158 - 66
	159 - 29		159 - 68		158 - 82
02112-05126	095 - 10	02122-05163	201 - 17-2		159 - 23
	096 - 9		202 - 17-2		159 - 24
	188 - 19	02122-06123	006 - 10		159 - 46
02112-05206	188 - 13		013 - 5		159 - 47
02112-05453	188 - 12		072 - 18		160 - 6
02112-06123	074 - 20	02122-06166	051 - 18		184 - 15
	184 - 10	02122-06203	210 - 43		186 - 47
	186 - 44		211 - 37		187 - 13
02112-06163	182 - 4	02142-04103	136 - 3		187 - 25
	186 - 45	02142-05083	204 - 16		210 - 5
	187 - 23		205 - 16		211 - 5
02112-06203	186 - 46		206 - 16	02142-06203	187 - 42
02112-16203	023 - 3	02142-05103	067 - 8	02162-05123	093 - 27-2
	025 - 4		184 - 14	02162-05163	112 - 3-2
02112-34083	022 - 16	02142-05123	093 - 27-1	02162-06163	025 - 7
	084 - 7		094 - 31		156 - 18
02112-34203	022 - 15		141 - 12		157 - 48
02112-35103	022 - 30		147 - 44		158 - 68
	022 - 42		148 - 35		159 - 48
02112-35253	020 - 15		149 - 47		218 - 18
02112-35303	218 - 42		157 - 30	02162-06203	218 - 26
02112-35353	022 - 41		158 - 31	02162-06253	025 - 8
02112-35656	022 - 40		158 - 32		025 - 10
02112-75163	112 - 3-1		159 - 30		040 - 5
02112-76123	190 - 5	02142-05163	201 - 13		041 - 5
	190 - 17		202 - 13	03111-04123	165 - 22
	193 - 13		209 - 7	03111-04203	142 - 17

PART NO.	FIG. NO. -REF. NO.	PART NO.	FIG. NO. -REF. NO.	PART NO.	FIG. NO. -REF. NO.
	147 - 50		158 - 34	03241-05103	209 - 4 2-2
	148 - 41		158 - 40		210 - 7
03111-04253	163A - 39		158 - 74		211 - 7
03111-05103	157 - 58		159 - 5	03241-05125	101 - 12
	158 - 79		159 - 31		136 - 9
	159 - 58		159 - 36		166 - 11-1
03111-05123	162 - 14		159 - 54		166 - 11-2
	162A - 14		160 - 3		170 - 39
	163 - 13		161 - 13		171 - 51
	163A - 13		171 - 27	03241-06103	142 - 6
03111-06253	170 - 41		171 - 33	03241-06123	136 - 7
	171 - 54		171 - 38		166 - 9
03112-04083	188 - 7		176 - 15		174 - 2
	188 - 16		177 - 23		200 - 13
03112-04163	087 - 12		178 - 22	03241-06253	189 - 21
	088 - 7		179 - 30		192 - 24
	089 - 12	03141-05203	090 - 10		195 - 26
	217 - 9		091 - 10	03241-16163	156 - 15
03121-05163	191 - 21		186 - 50		189 - 26
	194 - 23		187 - 16		192 - 29
	197 - 23		187 - 18		195 - 31
03122-04163	172 - 18		187 - 34		212 - 14
03141-04083	188 - 31	03141-05303	171 - 46	03242-04083	188 - 25
	200 - 16	03141-06123	172 - 5	03242-06165	142 - 12-1
03141-04085	209 - 44		173 - 4		142 - 12-2
03141-04123	092 - 18	03141-06203	074 - 26	03511-04103	091 - 9
	189 - 24	03142-04255	092 - 6		201 - 3
	192 - 14	03211-04083	188 - 32		201 - 6
	192 - 27	03211-04163	090 - 4		202 - 3
	195 - 29	03211-05123	114 - 13		202 - 6
03141-05083	216 - 19	03211-05163	091 - 4	03511-04163	092 - 10
03141-05123	180 - 18		201 - 18	03511-05123	155 - 15
	181 - 22		202 - 18		186 - 23
03141-05128	101 - 4	03211-15103	209 - 42-1	03511-05165	157 - 59
	157 - 5	03212-04123	188 - 5		158 - 80
	157 - 31	03212-04169	092 - 14		159 - 59
	157 - 36	03212-05255	153 - 14		162 - 37
	157 - 54		154 - 14		162A - 33
	158 - 5	03222-04083	188 - 10		162A - 37
	158 - 33	03241-04103	155 - 6		163 - 37

PART NO.	FIG. NO. -REF. NO.	PART NO.	FIG. NO. -REF. NO.	PART NO.	FIG. NO. -REF. NO.
	163A - 32		159 - 33	06112-86CA0	003A - 24
	163A - 36		159 - 37	07120-06123	007 - 9
	165 - 21		159 - 38	07130-06163	014 - 5
03521-04123	187 - 35		159 - 69	07130-08253	216 - 6
03541-04103	090 - 11		159 - 70	08113-63040	049 - 31
03541-04123	092 - 19		159 - 72	08113-63050	049 - 11
	171 - 13		160 - 4	08113-63060	073 - 20
	171 - 16		161 - 4		073 - 32
03541-04163	157 - 55		161 - 5	08133-62067	069 - 29
	158 - 75		161 - 14	08173-62100	073 - 18
	159 - 55		166 - 15	08310-00053	076A - 17
03541-05103	093 - 129		166 - 17		076A - 28
	221 - 12	03541-05203	086 - 15	08310-00083	133 - 13
03541-05123	094 - 44		157 - 73	08310-00103	008 - 3-1
	095 - 48		159 - 73		009 - 3
	186 - 51	04016-86CA0	076A - 15		010 - 3
03541-05163	093 - 47	04017-86CA0	076A - 16		069 - 34
	095 - 32	04111-30208	107 - 9		070 - 20
	095 - 73		115 - 20		107 - 21
	096 - 31		115 - 31		107 - 24
	096 - 56		116 - 20		115 - 9
	157 - 6		116 - 31		116 - 9
	157 - 7	04111-30308	102 - 32		119 - 27
	157 - 32	04211A09109	011 - 26		174 - 6
	157 - 33		012 - 26	08310-00123	102 - 7
	157 - 37		038 - 11		102 - 23
	157 - 38	04211-09149	051 - 15		102 - 35
	157 - 69	04211-13189	003 - 8		107 - 6
	157 - 70		004 - 8		107 - 16
	157 - 72		005 - 11		107 - 27
	158 - 6	04221-05109	015 - 3		108 - 7
	158 - 7		016 - 3		115 - 15
	158 - 35	04221-06129	038 - 7		116 - 15
	158 - 36	06111-06003	049 - 13	08310-00143	102 - 8
	158 - 37		073 - 12		102 - 27
	158 - 41		073 - 17	08310-10083	017 - 6
	158 - 42		073 - 34		018 - 6
	159 - 6	06112-10004	074 - 15		019 - 7
	159 - 7	06112-12004	051 - 8		019 - 13
	159 - 32		074 - 11		019 - 18

PART NO.	FIG. NO. -REF. NO.	PART NO.	FIG. NO. -REF. NO.	PART NO.	FIG. NO. -REF. NO.
	026 - 4		116 - 19		094 - 35
	027 - 5		116 - 30		095 - 4
	028 - 4	08314-41143	102 - 31		098 - 6
	028 - 7		107 - 8		099 - 6
	066 - 11	08316-10053	095 - 62		100 - 10
	076 - 4		165 - 23		144 - 34
	076 - 10	08316-10063	066 - 8		144 - 36
	076 - 17		119 - 12		176 - 10
	076A - 18		119 - 32		177 - 14
	076A - 24		120 - 12		178 - 17
	077 - 4		120 - 32		179 - 21
	077 - 10		121 - 12		188 - 22
	077 - 17		122 - 12		191 - 16
	078 - 4		186 - 24		194 - 17
	078 - 10		187 - 9		197 - 17
	078 - 17	08316-10103	026 - 16		198 - 24
	127 - 24		027 - 16		200 - 23
	129 - 25		028 - 17	08316-20083	102 - 12
	134 - 25		030 - 7	08316-20103	119 - 19
	135 - 25	08316-10123	050 - 24		120 - 19
	156 - 8		052 - 15		120 - 29
	162 - 26	08316-20063	007 - 4		121 - 19
	162A - 26		015 - 11		122 - 19
	163 - 25		016 - 19	08316-86CA0	006A - 26
	163A - 25		023 - 23		079A - 5
	164 - 19		023 - 31	08316-86CA1	021A - 8
	165 - 25		024 - 24	08316-86CA2	081A - 13
	214 - 7		025 - 23	08316-86CB0	017A - 75
	214 - 42		026 - 12	08319-31063	211 - 40
	216 - 17		027 - 13	08321A31053	076A - 29
	218 - 38		028 - 13	08321A31103	008 - 2-1
08310-12083	048 - 13		039 - 5		009 - 2
	123 - 10		039 - 10		010 - 2
	124 - 10		046 - 7		069 - 33
	125 - 10		046 - 12		070 - 19
	126 - 10		076 - 18		076A - 27
08313-20083	098 - 8		078 - 18		119 - 29
	099 - 8		087 - 8	08321A31123	069 - 13
08314-40123	115 - 19		088 - 3		071 - 11
	115 - 30		089 - 8		072 - 11

PART NO.	FIG. NO. -REF. NO.	PART NO.	FIG. NO. -REF. NO.	PART NO.	FIG. NO. -REF. NO.
	102 - 6	08332-11063	066 - 15		075 - 9
	102 - 22	08332-11086	209 - 16		075 - 11
	102 - 34	08332-11126	074 - 9-1	09103-06132	005 - 6
	107 - 5	08341-31059	011 - 13	09103-06168	019 - 43
	107 - 15		012 - 15		026 - 10
	107 - 26	08361-15063	143 - 38		026 - 13
	108 - 6		144 - 41		027 - 10
	115 - 14	08361-15083	079 - 7		028 - 11
	116 - 14	09100A12111	131 - 16-2		028 - 14
08321-01083	134 - 26	09100-06088	119 - 31		037 - 12
	135 - 26		120 - 31	09103-06185	011 - 15
	216 - 16	09100-06150	119 - 11		012 - 14
08321-01143	102 - 9		120 - 11	09103-06186	015 - 21-2
	102 - 26		121 - 11	09103-06187	015 - 22-2
08321-21208	115 - 3		122 - 11	09103-08131	050 - 6
	116 - 3	09100-08294	157 - 43	09103-08132	117 - 8-1
08321-86CA0	038A - 72		157 - 44		118 - 8
	123 - 28		157 - 45	09103-08134	050 - 5
08321-86CA1	042A - 22		158 - 54	09103-08153	050 - 13
	123 - 24		158 - 55	09103-08230	017 - 10
08321-86CA3	013A - 25		158 - 56		018 - 11
	021A - 13		158 - 57	09103-08247	214 - 8-1
08321-86CA4	037A - 18		158 - 58	09103-08275	130 - 18-1
08322-01053	209 - 5		158 - 59	09103-08341	042 - 3
08322-01083	008 - 2-2		158 - 60		043 - 3
	026 - 5		159 - 43	09103-10122	120 - 27
	027 - 6		159 - 44	09103-10200	011 - 19
	028 - 5		159 - 45		012 - 19
	048 - 12-1	09100-10226	119 - 15		052 - 7
	066 - 14		120 - 15	09103-10280	207 - 41
	199 - 8		121 - 15		208 - 37
	209 - 26		122 - 15	09103-10286	052 - 6
08322-11103	119 - 28	09100-12055	102 - 33	09103-12033	070 - 14
	120 - 28	09100-12067	102 - 5	09103-12043	139 - 17
	174 - 5		107 - 25	09103-12048	102 - 20
08322-86CA1	021A - 29	09100-14002	102 - 24		107 - 4
08331-31356	073 - 5	09100-86CA0	021A - 24		107 - 13
08331-31383	216 - 14	09103-06066	039 - 3	09108-06052	018 - 12
08331-41303	216 - 8	09103-06083	016 - 16	09108-06056	015 - 9
08331-41626	069 - 30		049 - 34	09108-10122	030 - 3

PART NO.	FIG. NO. -REF. NO.	PART NO.	FIG. NO. -REF. NO.	PART NO.	FIG. NO. -REF. NO.
09108-12006	050 - 22		010 - 11		197 - 7
	052 - 13		204 - 3-2		198 - 12
09108-12007	050 - 23		205 - 3		200 - 2
	052 - 14		206 - 3-2	09137-08011	191 - 13
09108-86CB0	017A - 73	09118-10068	204 - 3-1		194 - 10
09111-86CA0	038A - 2		206 - 3-1		197 - 11
09115-06001	085 - 4	09119-05018	137 - 29-1		198 - 20
	093 - 22		138 - 27-1		200 - 19
	094 - 20	09119-08085	113 - 5	09138-06026	191 - 6
	098 - 4	09119-10041	029 - 4		197 - 8
	099 - 4		031 - 4	09138-06040	093 - 38
	143 - 31		032 - 4		094 - 29
	144 - 30	09119-12008	105 - 2	09138-08003	076 - 20
	188 - 48		108 - 2		077 - 19
09116-05014	204 - 7		109 - 2		078 - 20
	205 - 7	09125-05117	067 - 10	09139-05028	093 - 93
	206 - 7	09125-06041	170 - 43-2		094 - 78
09116-06005	158 - 61		171 - 56		100 - 26
09116-06155	023 - 38	09125-06060	100 - 2	09139-05037	186 - 21
	025 - 30	09125-06084	170 - 43-1	09139-05059	201 - 17-1
09117-06002	055 - 3	09126-06007	038 - 3		202 - 17-1
09117-06033	007 - 2	09128-06075	214 - 19	09139-06052	155 - 12
09117-12012	131 - 16-1	09128-10002	074 - 17		156 - 11
	132 - 16	09129-06002	093 - 53	09139-06094	186 - 48
09118-08084	207 - 31		094 - 50		186 - 49
	208 - 31	09129-06006	095 - 52	09139-06099	157 - 49
09118-08107	076 - 12		158 - 62		158 - 69
	077 - 12	09132-05041	167 - 5		159 - 49
	078 - 12		168 - 5	09139-08015	114 - 3
09118-08118	066 - 1	09136-05030	114 - 14	09140-10019	123 - 11
09118-08128	198 - 22	09136-06004	207 - 15		124 - 11
	200 - 21		208 - 15		125 - 11
09118-08156	189 - 5	09136-06109	158 - 63		126 - 11
	192 - 5	09136-06133	044 - 6	09140-10040	008 - 28
	195 - 7		044 - 35		009 - 25
	198 - 4		046 - 15		010 - 25
	199 - 4	09136-06134	136 - 13	09140-10043	095 - 15
	199 - 5	09137-06022	093 - 126		096 - 14
09118-10052	008 - 13	09137-06024	191 - 5	09140-16022	115 - 24
	009 - 11	09137-06025	194 - 3		116 - 24

PART NO.	FIG. NO. -REF. NO.	PART NO.	FIG. NO. -REF. NO.	PART NO.	FIG. NO. -REF. NO.
09140-16023	115 - 26		124 - 15	09160-35015	071 - 23-1
	116 - 26		125 - 14	09160-84C00	027 - 12
09144-06006	024 - 16		126 - 14		048 - 12-2
09148A05003	153 - 12	09159-10098	030 - 4		048 - 19
	154 - 12	09159-12024	110 - 4		209 - 32
09148A05006	169 - 39		182 - 7	09160-86CA0	003A - 5
	170 - 45	09159-12025	114 - 11	09160-86CA1	003A - 10
09148-03011	209 - 30	09159-20003	069 - 8	09160-86CA4	013A - 13
09148-04021	092 - 7		071 - 8	09160-86CA7	013A - 29
	172 - 19		072 - 8	09160-86CA8	006A - 32
09148-04035	187 - 36	09159-86CA0	008 - 3-2		076A - 13
09148-05018	095 - 74		011A - 25		123 - 23
	096 - 57	09160T08075	044 - 23-1	09164-15006	069 - 16
	180 - 19		046 - 20		071 - 15
09148-05020	086 - 16	09160-06057	015 - 10	09165-10002	103 - 4
09148-05038	101 - 5		016 - 10	09165-10003	107 - 22
	157 - 4	09160-08093	214 - 9	09166-16020	049 - 53
	157 - 25	09160-08094	066 - 6	09166-25012	073 - 13
	157 - 53	09160-08133	044 - 23-2	09168-06023	033 - 16
	158 - 4	09160-08501	218 - 5-1		035 - 16
	158 - 26		218 - 5-2		036 - 18
	158 - 73	09160-09007	119 - 6-1	09168-12016	017 - 14
	159 - 4		120 - 6-1		017 - 16
	159 - 25		121 - 6-1		019 - 28
	159 - 53		122 - 6-1	09168-14009	117 - 19
09148-06005	209 - 33	09160-09016	119 - 6-2		118 - 27
	210 - 10		120 - 6-2	09168-14012	007 - 6
	210 - 13		121 - 6-2	09168-16002	117 - 20
	211 - 10		122 - 6-2		118 - 28
	211 - 13	09160-10104	070 - 23	09168-20003	070 - 3
09148-06006	040 - 19	09160-10119	008 - 27	09168-86CA0	006B - 10
09148-06014	157 - 26		009 - 24		038A - 16
	159 - 26		010 - 24	09169-06065	025 - 13
09148-08002	209 - 27	09160-12079	115 - 13	09169-06071	209 - 8
09150-06010	048 - 18		116 - 13	09169-08043	067 - 3
09159-06076	188 - 51	09160-13011	174 - 4	09180A08129	025 - 31
	199 - 9	09160-18018	074 - 13		029 - 8
09159-08033	011 - 6	09160-35013	069 - 22-1		030 - 16
	012 - 6		071 - 23-3		031 - 8
09159-08069	123 - 15	09160-35014	071 - 23-2		032 - 8

PART NO.	FIG. NO. -REF. NO.	PART NO.	FIG. NO. -REF. NO.	PART NO.	FIG. NO. -REF. NO.
09180-06106	015 - 19	09181-35125	069 - 4-8	09241-20006	003 - 5
	044 - 7		071 - 4-8		004 - 5
	044 - 36		072 - 4-10		005 - 5
	045 - 3	09181-62003	073 - 21-1	09241-30009	005 - 4
	046 - 14	09181-62004	073 - 21-3		006 - 2
09180-08185	044 - 24	09181-62005	073 - 21-5	09246-04005	018 - 7
	046 - 21	09181-62008	073 - 21-2	09246-05006	006 - 3
09180-08197	023 - 37	09181-62009	073 - 21-4	09246-06002	006 - 4
09180-10117	070 - 24	09200-10021	123 - 16		006 - 5
09180-10121	119 - 17		124 - 16	09246-08002	006 - 6
	120 - 17		125 - 15		038 - 5
	121 - 17		126 - 15	09246-16012	005 - 8
	122 - 17	09205-03019	048 - 6	09247-14013	075 - 17
09180-10135	120 - 26	09205-03022	073 - 38-1	09247-14027	007 - 5
09180-26004	073 - 9	09205-03028	073 - 38-2	09247-14029	037 - 3
09180-86CA0	081A - 8	09205-03037	051 - 35	09247-86CA0	006A - 8
09181-14167	074 - 8	09205-05003	124 - 4	09247-86CB0	006B - 8
09181-35012	072 - 4-2		126 - 4		038A - 17
09181-35014	072 - 4-3	09205-05007	069 - 18	09248-12005	051 - 12
09181-35101	069 - 4-1		071 - 18	09250-04003	044 - 4
	071 - 4-1	09205-05012	051 - 6		046 - 37
	072 - 4-1		051 - 33	09250-05011	172 - 21
09181-35117	069 - 4-2		074 - 6		173 - 17
	071 - 4-2	09205-05015	051 - 34	09250-08005	172 - 22
	072 - 4-4	09205-05016	051 - 7		172 - 23
09181-35118	069 - 4-3		123 - 4		173 - 18
	071 - 4-3		125 - 4		173 - 19
	072 - 4-5	09205-06007	051 - 36	09250-10006	051 - 13
09181-35119	069 - 4-4	09206-08001	005 - 7	09250-14008	095 - 67
	071 - 4-4	09206-13011	050 - 2		096 - 50
	072 - 4-6		050 - 9		096 - 50
09181-35121	069 - 4-5		075 - 4	09250-16013	172 - 20
	071 - 4-5	09206-15001	050 - 19		173 - 16
	072 - 4-7		052 - 10	09250-20002	172 - 9
09181-35122	069 - 4-6	09209-05017	194 - 15		173 - 8
	071 - 4-6		197 - 15	09250-20014	093 - 118
	072 - 4-8	09209-13018	048 - 17	09250-20017	093 - 121
09181-35124	069 - 4-7	09209-14001	141 - 6		094 - 103
	071 - 4-7	09241-12002	003 - 4	09250-25007	029 - 15
	072 - 4-9		004 - 4		030 - 17

PART NO.	FIG. NO. -REF. NO.	PART NO.	FIG. NO. -REF. NO.	PART NO.	FIG. NO. -REF. NO.
	031 - 15	09282-07001	073 - 40	09308-03005	093 - 103
	032 - 15	09282-25006	049 - 15		094 - 88
	093 - 94	09282-35002	073 - 6	09308-10004	015 - 20
	094 - 79	09282-48003	108 - 11		040 - 25
	172 - 10		109 - 8		044 - 8
09250-25008	173 - 9	09283-25088	049 - 6		044 - 37
	093 - 117	09283-32040	011 - 11		045 - 4
	094 - 102		012 - 11		046 - 13
09250-30010	093 - 56		013 - 2	09308-11009	106 - 12
	094 - 53		014 - 2	09308-13001	188 - 56
	172 - 11	09283-35008	069 - 31	09308-15006	023 - 6
	173 - 10	09283-40021	073 - 43	09308-25002	093 - 14
09251-09002	119 - 10	09283-40027	069 - 7		094 - 37
	120 - 10		071 - 7	09308-28001	093 - 92
	121 - 10		072 - 7		094 - 77
	122 - 10	09283-54001	105 - 16	09308-40001	093 - 112
09261-02010	049 - 59	09283-68002	011 - 21		094 - 97
09261-03017	051 - 9		012 - 21	09308-42001	093 - 51-1
09263-26030	049 - 51	09284-45001	108 - 8		093 - 51-2
09263-27007	049 - 24		109 - 5		094 - 48-1
09263-35028	049 - 47	09286-64001	105 - 21		094 - 48-2
09263-40006	073 - 42	09286-75001	105 - 17	09320-08021	025 - 12
09269-35010	108 - 9	09289-05012	014 - 20	09320-08062	037 - 11
	109 - 6	09289-48004	105 - 20	09320-10024	103 - 3
09280-10014	055 - 8	09289-86CA0	013A - 11	09320-10040	107 - 23
09280-10015	007 - 12-1	09300-25028	049 - 30	09320-12011	044 - 25
09280-10016	007 - 12-2	09300-30003	049 - 18		046 - 22
09280-11002	050 - 17		049 - 48	09321-06026	119 - 30
	075 - 16	09305-08012	066 - 13		120 - 30
	075 - 18	09306-13004	119 - 16	09321-10023	141 - 7
	075 - 21		119 - 22	09352-70111-	040 - 12
09280-12009	014 - 4		120 - 16		041 - 12
09280-17002	007 - 8-2		120 - 22	09352-70113-	074 - 31-2
09280-17005	007 - 8-1		121 - 16		106 - 8-2
09280-21008	073 - 11		122 - 16	09352-70121-	040 - 13
09280-24009	073 - 39	09307-09001	119 - 4	09352-70131-	019 - 30
09280-28008	001 - 11		120 - 4	09354-40805-	034 - 29
	002 - 12		121 - 4		034 - 32
	042 - 5		122 - 4	09354-70153-	017 - 19
	043 - 5	09308A08001	187A - 78	09354-80153-	019 - 25

PART NO.	FIG. NO. -REF. NO.	PART NO.	FIG. NO. -REF. NO.	PART NO.	FIG. NO. -REF. NO.
09355-13205-	204 - 10-2		205 - 14	09400-15311	056 - 8
	205 - 10		205 - 17	09400-24301	117 - 23
09355-13207-	017 - 20		205 - 22		118 - 31
	017 - 29		206 - 14	09400-36312	042 - 12
	204 - 10-1		206 - 17		043 - 12
09355-35754-	024 - 14		206 - 22	09400-52312	204 - 9
	215 - 16		206 - 23		205 - 9
09355-35754-	022 - 18	09355-90145-	023 - 18		206 - 9
	022 - 19	09356-55117-	035 - 24	09400-86CA0	046A - 4
	022 - 20		036 - 26	09401-10411	034 - 21
	022 - 37	09356-58125-	034 - 18	09401-11407	034 - 24
	024 - 12	09356-58127-	034 - 19	09401-11411	035 - 26-1
	024 - 13		034 - 30		036 - 28-1
	044 - 14		034 - 31	09401-12407	034 - 20
	044 - 15		035 - 25	09401-13417	022 - 23-2
	044 - 18		036 - 27	09401-15404	046 - 35
	044 - 19	09356-76145-	034 - 35	09401-18404	046 - 36
	044 - 31	09356-76145-	034 - 15	09401-27402	115 - 23
	044 - 32		034 - 16		115 - 29
	045 - 10		034 - 17-1		116 - 23
	045 - 11-1	09362-09009	215 - 18		116 - 29
	045 - 11-2	09367-04002	045 - 9	09401-86CB0	017A - 74
	045 - 12	09367-08003	106 - 7	09401-86CB1	026A - 8
	045 - 13	09367-08004	051 - 22	09402-15511	034 - 22
	045 - 14	09381-24001	069 - 28-1	09402-68202	023 - 8
	045 - 15	09381-25001	069 - 28-2	09402-72203	024 - 21
	045 - 16	09383-10002	074 - 9-2	09402-82202	023 - 10-2
	045 - 17	09383-19001	066 - 5	09402-82511	023 - 11
	045 - 18	09385-08004	066 - 7		025 - 15
	046 - 16	09385-10006	123 - 21	09403A48401	018 - 16-1
	046 - 17		124 - 21		093 - 46-2
	046 - 25		125 - 17		093 - 69-2
	215 - 15		126 - 17		094 - 43-2
09355-54115-	205 - 24	09387-86C00	207 - 35		094 - 56-2
09355-54115-	044 - 26		208 - 36		094 - 56-5
	046 - 24		209 - 54	09403-06318	019 - 37
	204 - 14		210 - 37		019 - 40
	204 - 17		211 - 31	09403-06404	127 - 29
	204 - 22	09388-00017	049 - 42		128 - 28
	204 - 23	09388-00019	049 - 43		129 - 30

PART NO.	FIG. NO. -REF. NO.	PART NO.	FIG. NO. -REF. NO.	PART NO.	FIG. NO. -REF. NO.
09403-07306	086 - 19	09404-06435	093 - 82		094 - 11-3
09403-07307-	141 - 8	09404-08207	055 - 29		094 - 12
09403-07312	129 - 9	09404-08420	044 - 30		094 - 63
09403-08313	130 - 16		066 - 18		094 - 99
09403-08323	203 - 3		093 - 23		096 - 43
09403-08404	033 - 23		093 - 81		098 - 25
09403-11311	051 - 25		094 - 21-2		099 - 25
09403-13308	034 - 26	09404-10205	067 - 12		215 - 13
09403-14204	093 - 125	09404-10418	056 - 12	09407-12405	093 - 78
09403-14309	056 - 15	09404-86CA0	042A - 9		094 - 64
09403-14408	106 - 14	09407-05403	085 - 5	09407-17401	093 - 25
09403-16407	055 - 16		092 - 22		093 - 65
09403-51407	034 - 6		093 - 113-1		094 - 15
09403-86CA0	222 - 31		093 - 113-2		106 - 11-1
09403-86CA1	006B - 21		093 - 16		106 - 11-2
	042A - 14		093 - 19	09407-18403	086 - 20-2
09403-86CA2	042A - 10		093 - 24		093 - 20
09403-86CB0	222 - 30		094 - 10		093 - 67
09403-86CC0	006B - 23		094 - 13		094 - 18-2
	042A - 13		094 - 14	09408A00118	018 - 21
09404-06206	020 - 9-1		094 - 98-1	09408A00121	034 - 34
09404-06413	022 - 36		094 - 98-2		035 - 27
09404-06427	093 - 46-1		098 - 24		036 - 29-1
	094 - 43-1		099 - 24	09408-00020	219 - 13
09404-06429	040 - 15	09407-05406	041 - 14	09408-00021	215 - 19
	093 - 128	09407-10403	207 - 36	09408-00024	093 - 75
	093 - 83	09407-11402	093 - 55-1		094 - 61
	094 - 66		093 - 55-2	09408-00035	076 - 26
09404-06432	018 - 16-2		094 - 51-1		077 - 26
	020 - 9-2		094 - 51-2	09408-00056	045 - 20
	093 - 093	09407-12404	085 - 6-1	09408-00067	046 - 18
	093 - 69-3		085 - 6-2	09408-00069	215 - 21
	094 - 43-3		093 - 114	09408-00100	040 - 18
	094 - 56-3		093 - 17-1	09408-00111	045 - 21
	094 - 56-6		093 - 17-2	09408-00116	078 - 27
	218 - 14-1		093 - 17-3	09408-00117	042 - 18
	218 - 14-2		093 - 18		043 - 16
09404-06433	093 - 70-1		093 - 77	09408-00126	117 - 25
	094 - 21-1		094 - 11-1	09408-00137	044 - 33
	094 - 57-2		094 - 11-2		046 - 28

PART NO.	FIG. NO. -REF. NO.	PART NO.	FIG. NO. -REF. NO.	PART NO.	FIG. NO. -REF. NO.
09408-00145	055 - 30		170 - 15-1		140 - 20
09408-00149	214 - 37		171 - 42-1		167 - 10
	218 - 33	09409-07318-T	169 - 2-2		168 - 6
09408-00151	055 - 22		169 - 15-2	09409-10303-	169 - 31-1
09408-00157	023 - 39		170 - 2-2	09409-10304-	143 - 32
09408-00161	070 - 9		170 - 15-2		144 - 31
09408-00176	117 - 26		171 - 42-2		170 - 22-1
09408-16001	214 - 47	09409-07320	093 - 15		171 - 45
09409A06310	170 - 37-1		093 - 26		178 - 10
	171 - 48-1		093 - 76		179 - 10
	171 - 48-3		094 - 9		180 - 10
	171 - 48-5		094 - 62-1		181 - 10
09409A10303-	169 - 31-2		094 - 62-2	09409-10309	177 - 7
09409-04304	187 - 37	09409-08308-	142 - 11		177 - 13
09409-05309-	170 - 22-2		169 - 35-1		179 - 14
	170 - 28-2		170 - 34-1		179 - 20
09409-05309-T	169 - 14-2	09409-08308-T	169 - 35-2		181 - 15
	169 - 37-2		170 - 34-2		181 - 19
	170 - 14-2		199 - 11-2		181 - 32
	171 - 41-2	09409-08320	169 - 8-1	09410-00073	210 - 44
09409-06309-	141 - 15		170 - 8-1		211 - 28
09409-06314-	136 - 10		171 - 7-1	09410-00074	186 - 22
	166 - 10-1		189 - 18-1		186 - 42
	166 - 10-2		189 - 18-2		187 - 12
09409-06318	139 - 19		192 - 21-1	09410-00075	186 - 43
	140 - 18		192 - 21-2		187 - 20
09409-06319	171 - 49		195 - 21-1		187 - 38
	180 - 17		195 - 21-2	09440-05037	051 - 38
	181 - 24		199 - 11-1	09440-08026	048 - 16
09409-07308-	176 - 3	09409-08322	169 - 8-2	09440-08029	051 - 39
	177 - 3		169 - 9		09440-10033
	178 - 3		170 - 8-2		074 - 12
	179 - 3		170 - 9		09440-19020
	180 - 3		171 - 7-2		074 - 7
	181 - 3		171 - 8		09443-14015
					210 - 16
					211 - 16
					09448-21003
					119 - 5
09409-07313	153 - 13	09409-08325	157 - 27		120 - 5
	154 - 13		158 - 27		121 - 5
09409-07318-	169 - 2-1		159 - 27		122 - 5
	169 - 15-1	09409-10301-	025 - 25	09471-12060	087 - 3
	170 - 2-1	09409-10302-	139 - 21		089 - 3



# SUZUKI SE416/SE419TD PARTS CATALOGUE

---

1 st Edition

Printed in DEC., 1997

Published in DEC., 1997

Editor: **SANTANA MOTOR S.A.**

Part Technical Department  
Avda. Primero de Mayo s/n  
23700 Linares, Spain

---

Reprint Prohibited

