

**PARTS CATALOGUE  
CATALOGO DE RECAMBIOS**

**VITARA 1.9 DIESEL**



## **INFORMACION GENERAL**

Este catálogo de piezas de recambios, es suplemento al 00000A01207 y comprende todas las piezas relativas al motor Diesel 1.9.

Cuando se realice alguna sustitución de piezas de motor, consultar primero este catálogo. Si la pieza no apareciera, consultar seguidamente el catálogo base VITARA ref. 00000A01207.

## **GENERAL INFORMACION**

This catalogue is supplementary to 00000A01207 and compromise all the parts relate to Diesel 1.9.

When some sustitution of engine parts is made, first consult this cataloge. If the part doesn't appear immediatly consult the base cataloge Vitara 00000A01207.

# INDICE - INDEX

FIG. 1D

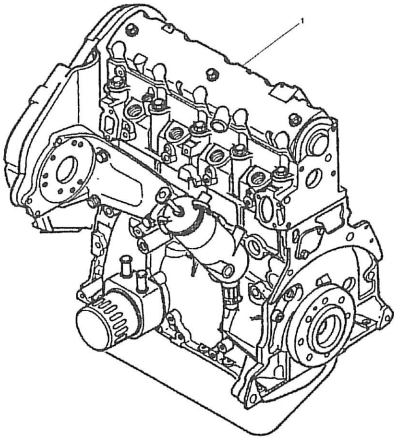


FIG. 2D

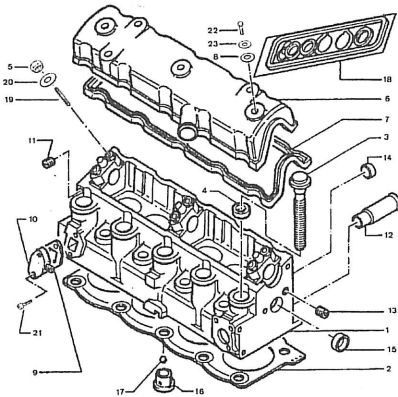


FIG. 3D

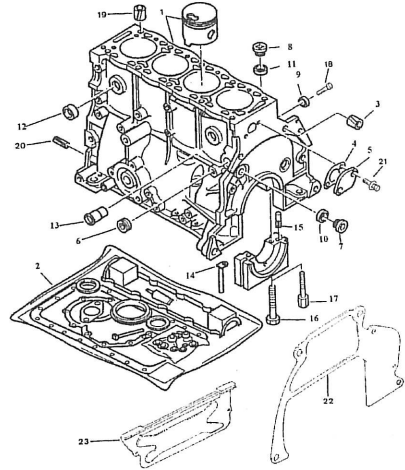


FIG. 4D

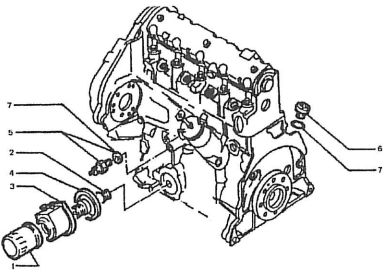


FIG. 5D

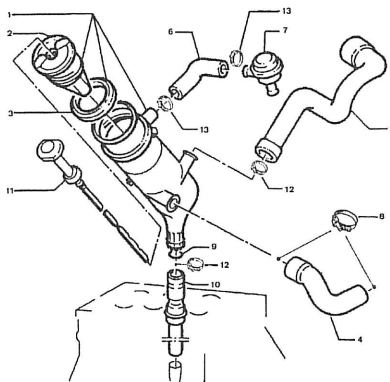


FIG. 6D

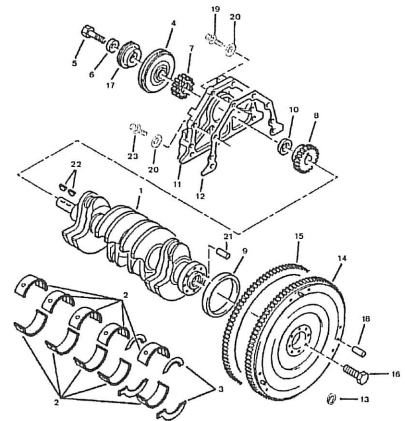


FIG. 7D

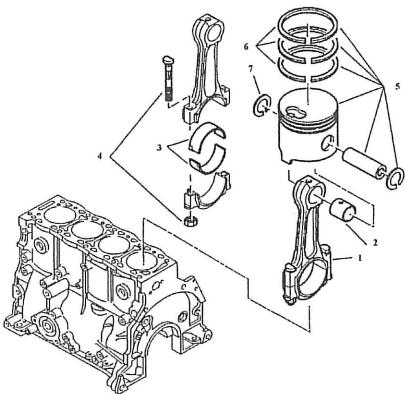


FIG. 8D

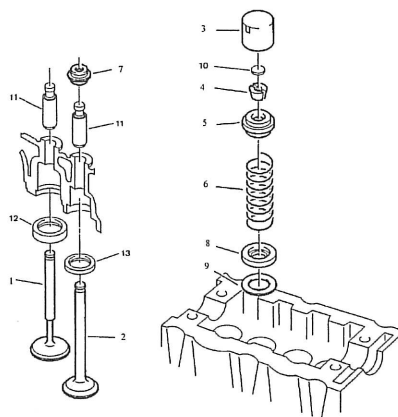


FIG. 9D

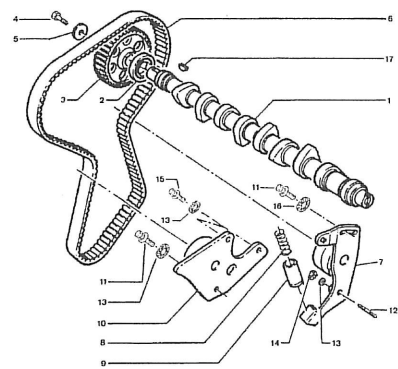




FIG. 19D

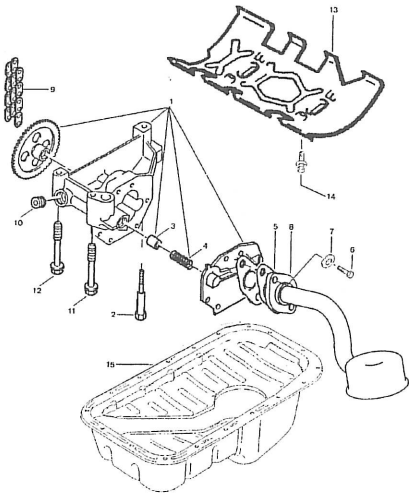


FIG. 20D

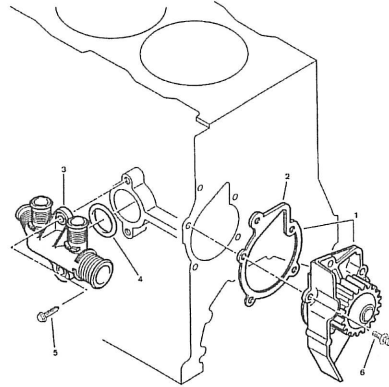


FIG. 21D

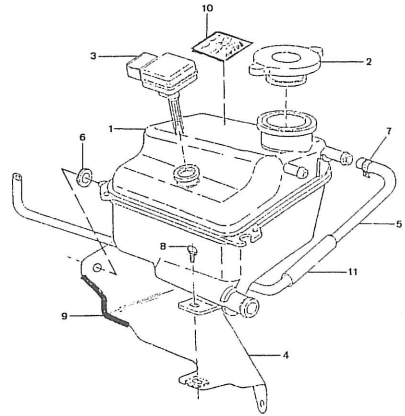


FIG. 22D

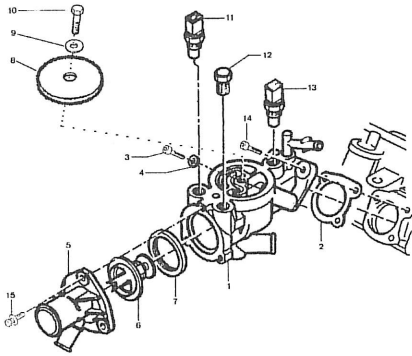


FIG. 23D

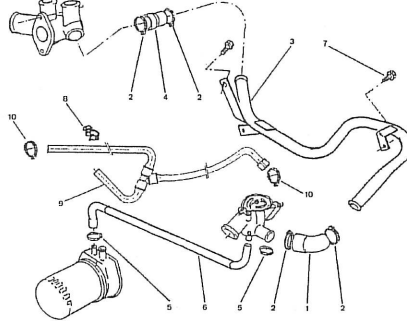


FIG. 24D

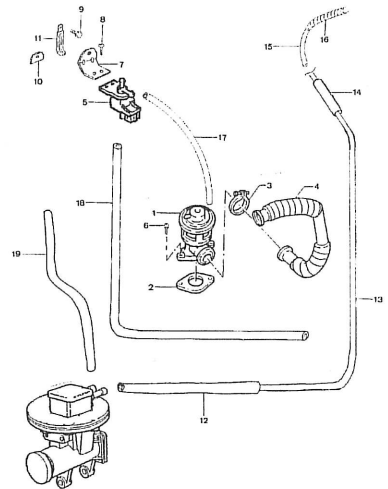


FIG. 25D

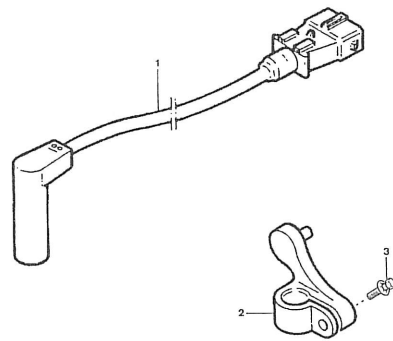


FIG. 26D

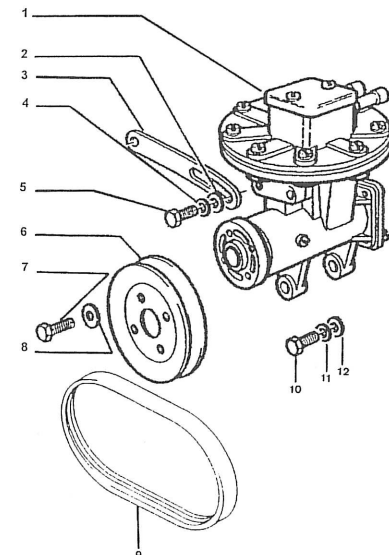


FIG. 27D

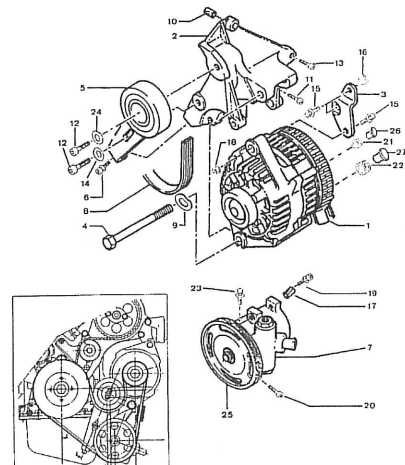


FIG. 28D

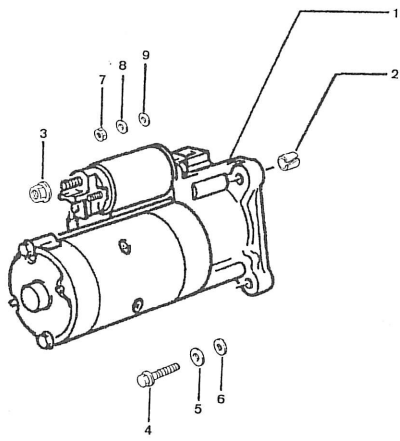


FIG. 29D

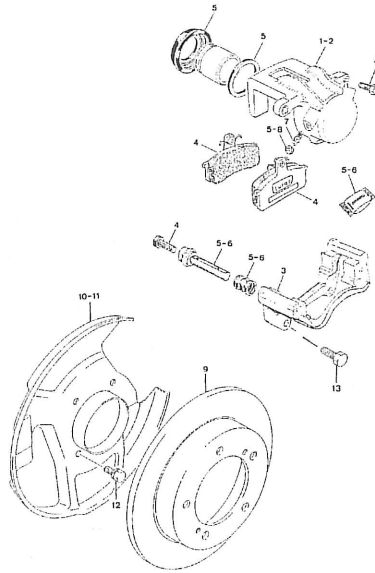


FIG. 30D

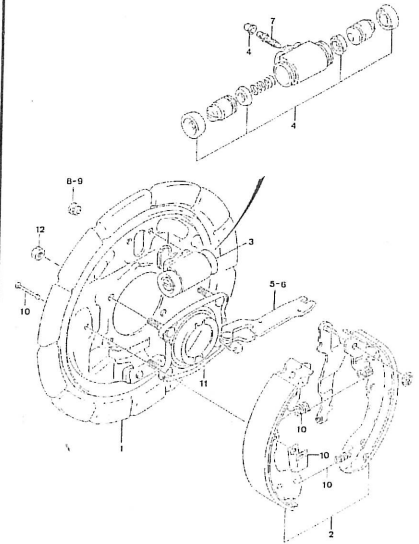


FIG. 31D

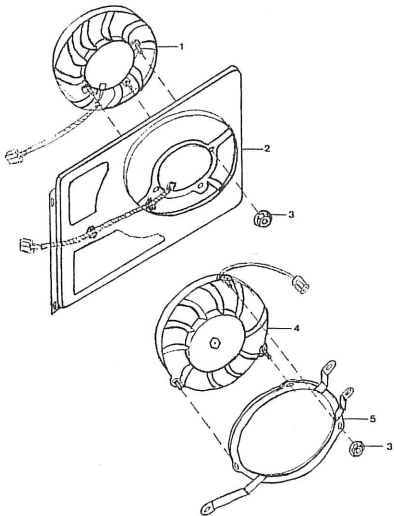


FIG. 32D

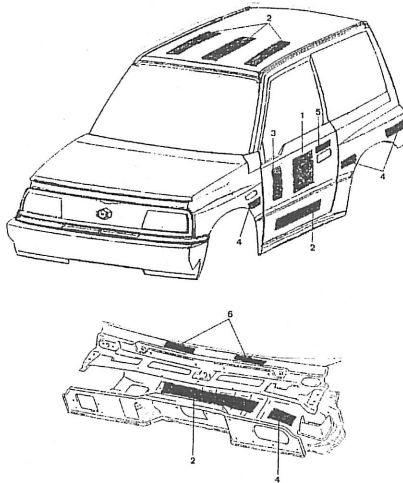


FIG. 1D

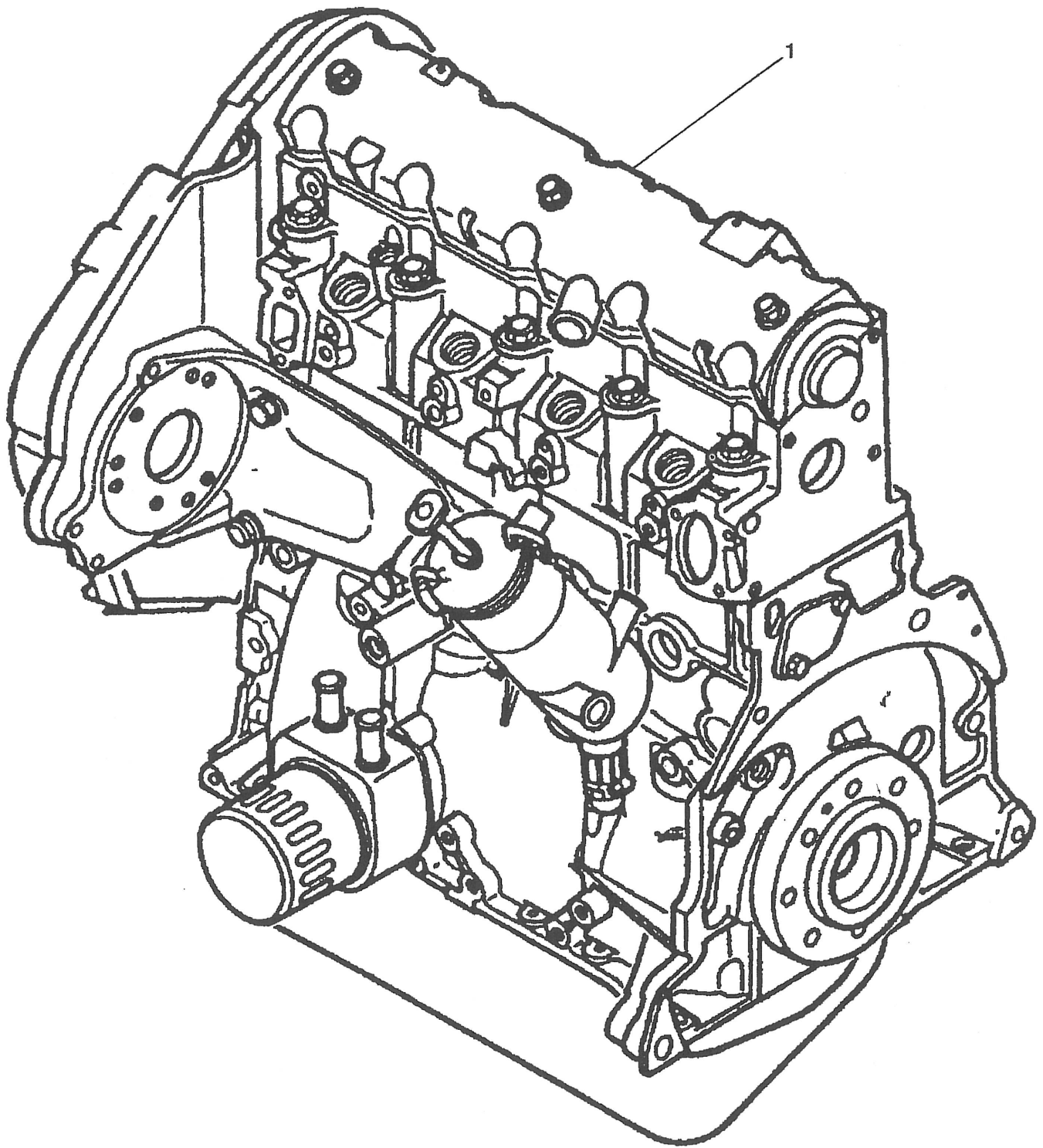




FIG. 001D ENGINE (1.9D)

REF. N.º	PART N.º	DESCRIPTION	Q, TY		REMARKS
			C	V	
1	11027-86CA0	ENGINE, ASSY	1	1	

FIG. 2D

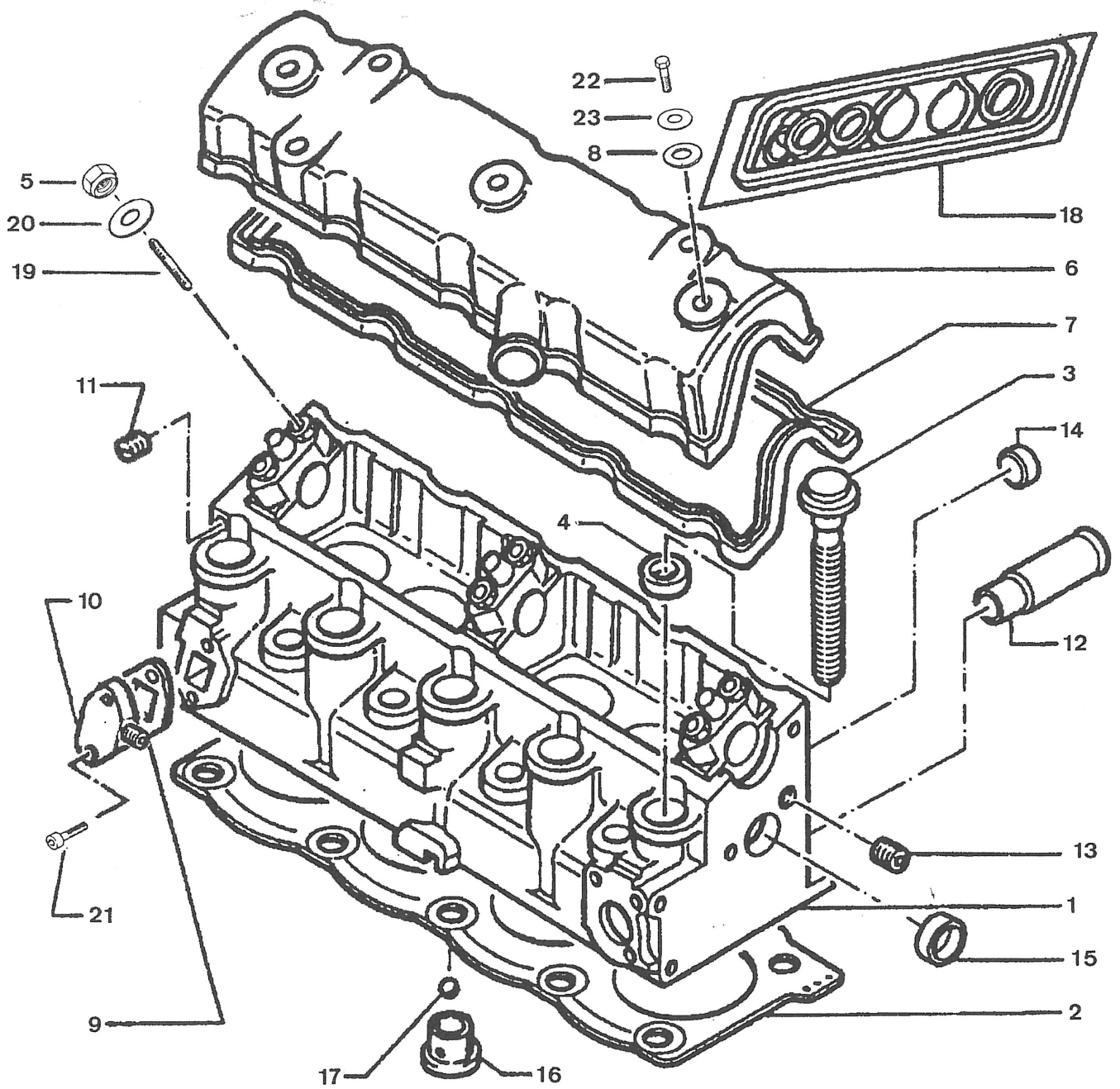


FIG. 002D CYLINDER HEAD (1.9D)

REF. N.º	PART N.º	DESCRIPTION	Q, TY		REMARKS
			C	V	
1	11111-86CA0	CYLINDER HEAD	1	1	
2	11141-86CA0	CYLINDER HEAD GASKET 1,48	1	1	
	11141-86CA1	CYLINDER HEAD GASKET 1,52	1	1	
	11141-86CA2	CYLINDER HEAD GASKET 1,58	1	1	
	11141-86CA3	CYLINDER HEAD GASKET 1,62	1	1	
3	11227-86CA3	SCREW 12 x 150-120	10	10	
4	09160-86CA0	WASHER 13 x 24-3	10	10	
5	11121-86CA0	NUT	6	6	
6	11170-86CA0	COVER, CYLINDER HEAD	1	1	
7	11189-86CA0	GASKET, CYL. HEAD COVER	1	1	
8	09160-86CA1	WASHER	3	3	
9	11124-86CA0	GASKET	1	1	
10	11122-86CA1	PLATE	1	1	
11	M9246-86CA0	THREADED PLUG 9 x 100	5	5	
12	11226-86CA1	STUB 23 x 85,5	1	1	
13	M9246-86CA1	PLUG 12 x 150	1	1	
14	M9241-86CA0	PLUG Ø 27	2	2	
	M9241-86CA1	PLUG Ø 27,5	2	2	
	M9241-86CA2	PLUG Ø 28,5	2	2	
15	M9241-86CA0	PLUG Ø 27	2	2	
16	10000-86CA0	SWIRL CHAMBER	4	4	1ST REPAIRING
	10000-86CA1	SWIRL CHAMBER	4	4	2ND REPAIRING
17	06112-86CA0	CHAMBER BALL Ø 3	4	4	
18	11401-86CA1	SET OF RUB	1	1	
19	M1421-86CA0	STUD 8 x 125-35-17	6	6	
20	09160-86CA2	WASHER 8 x 16-1,5	6	6	
21	M9103-86CA0	CHC SCREW 7 x 100-31	2	2	
22	01517-86CA0	SCREW 6 x 100-25	3	3	
23	09160-86CA3	WASHER 6 x 18-2	3	3	

FIG. 3D

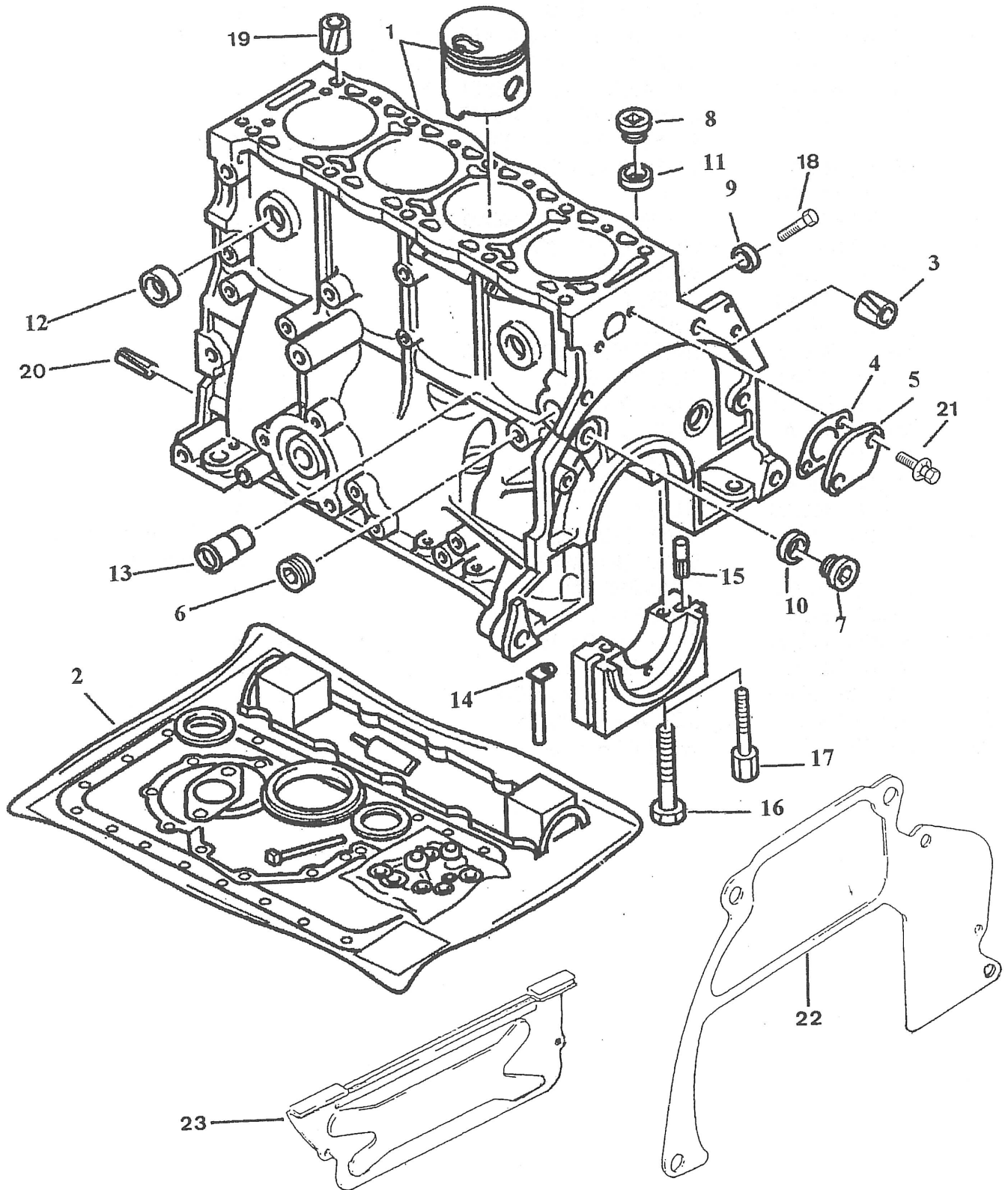


FIG. 003D CYLINDER BLOCK (1.9D)

REF. N.º	PART N.º	DESCRIPTION	Q, TY		REMARKS
			C	V	
1	11211-86CA0	BLOCK ASSY, CYLINDER	1	1	
2	11401-86CA0	SET OF ENGINE	1	1	
3	M4211-86CA0	PIN 16 x 16	2	2	
4	16527-86CA0	GASKET	1	1	
5	11122-86CA0	PLATE	1	1	
6	11223-86CA1	THREADED PLUG 15 x 150	1	1	
7	11223-86CA0	THREADED PLUG 15 x 150	1	1	
8	09247-86CA0	DRAIN PLUG 16 x 150-12	1	1	
9	11228-86CA0	GASKET 12,2 x 18-3	1	1	
10	11228-86CA1	GASKET 19,5 x 15,3-1,2	2	2	
11	11228-86CA2	GASKET 16 x 22-2	1	1	
12	M9241-86CA0	PLUG Ø27	8	8	
	M9241-86CA1	PLUG Ø27,5	8	8	
	M9241-86CA2	PLUG Ø28,5	8	8	
13	11226-86CA0	STUD	1	1	
14	18480-86CA0	BEARING SEAL	1	1	
15	M4211-86CA2	PIN 5 x 19	2	2	
16	11227-86CA0	SCREW 12 x 150-81	6	6	
17	11227-86CA1	SCREW 12 x 150	4	4	
18	11227-86CA2	SCREW 12 x 150-16	1	1	
19	11225-86CA0	PIN 16 x 14	1	1	
20	M4211-86CA1	PIN 8 x 17,5	1	1	
21	11119-86CA0	SCREW 8 x 125-16	2	2	
22	11311-86CA0	PLATE, CLUTCH HOUSING UPPER	1	1	
23	11321-86CA0	PLATE, CLUTCH HOUSING LOWER	1	1	

FIG. 4D

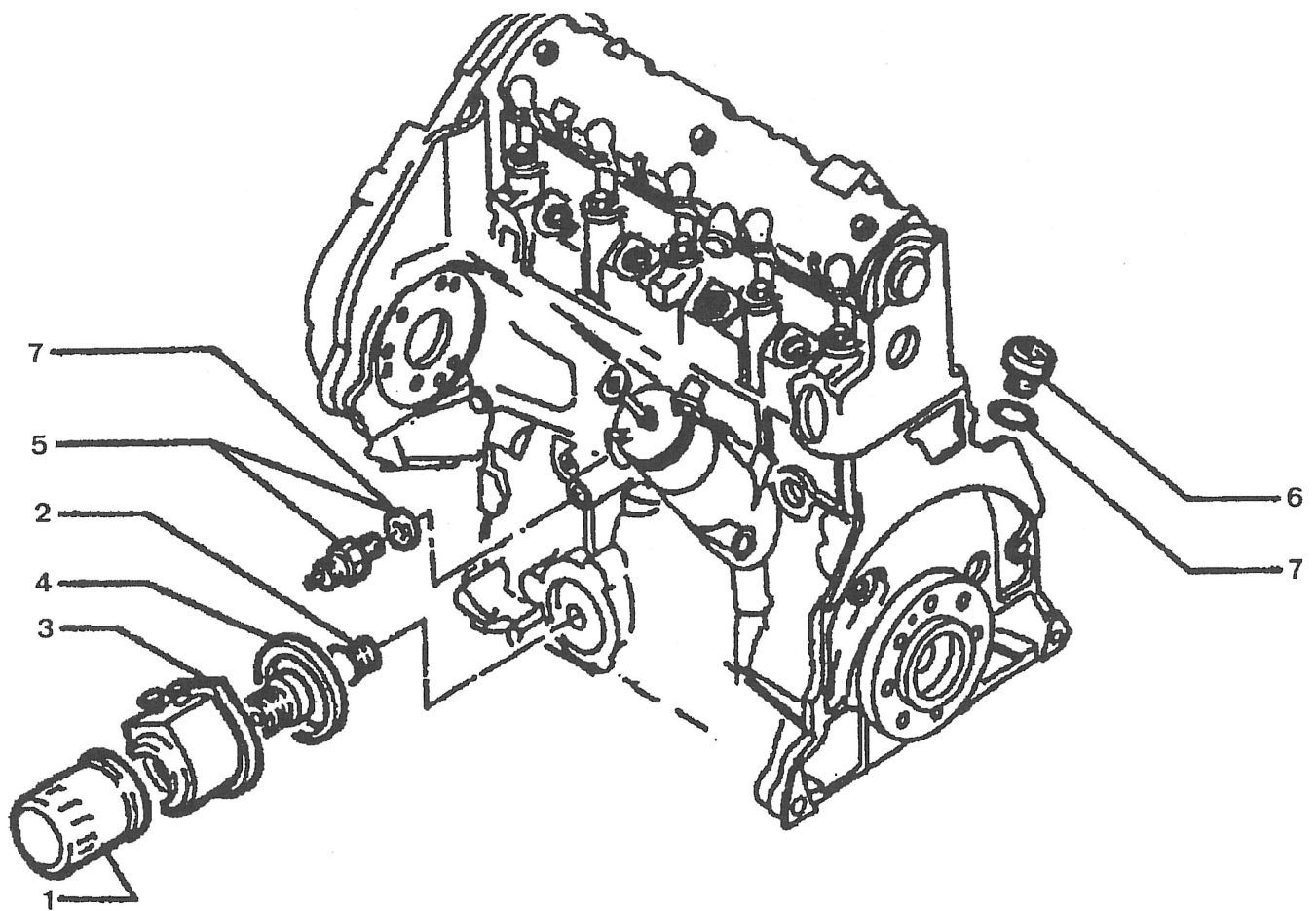


FIG. 004D OIL FILTER (1.9D)

REF. N.º	PART N.º	DESCRIPTION	Q, TY		REMARKS
			C	V	
1	16510-86CA0	OIL FILTER	1	1	
2	M1421-86CA4	STUB	1	1	
3	16520-86CA0	EXCHANGER	1	1	
4	11228-86CA4	GASKET 66,8 x 73,66 x 3,43	1	1	
5	37820-86CA0	PRESSURE SWITCH 16 x 150	1	1	
6	09247-86CA0	DRAIN PLUG 16 x 150-12	1	1	
7	11228-86CA2	GASKET 16 x 22-2	2	2	

FIG. 5D

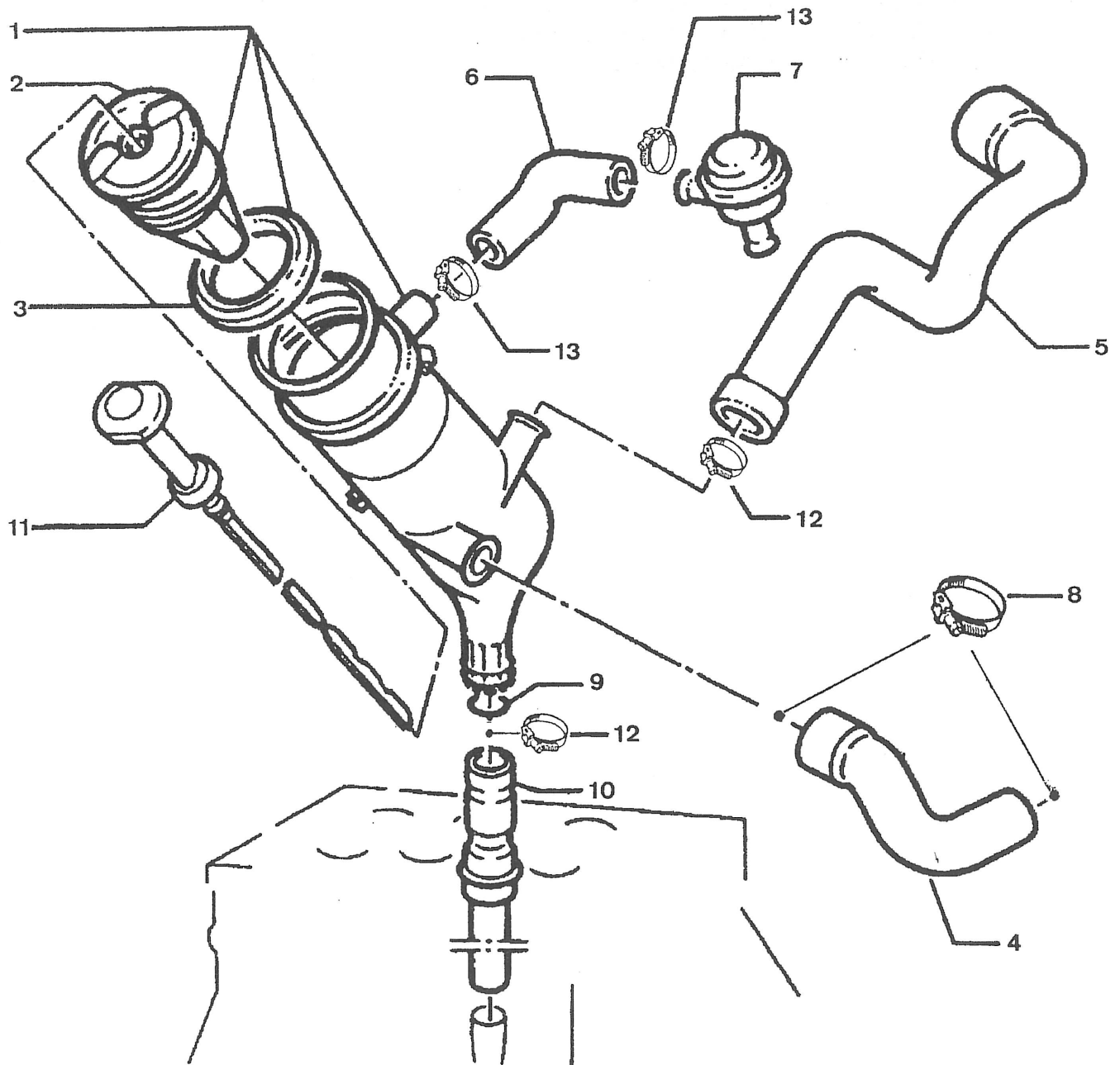




FIG. 005 OIL FILLER AND DIPSTICK (1.9D)

REF. N.º	PART N.º	DESCRIPTION	Q, TY		REMARKS
			C	V	
1	16920-86CA0	OIL FILLER	1	1	
2	11226-86CA3	PLUG	1	1	
3	11228-86CA9	GASKET Ø57 x 69	1	1	
4	17876-86CA0	UNION LONG 85,5	1	1	
5	17887-86CA0	UNION LONG 186	1	1	
6	17878-86CA0	UNION LONG 74	1	1	
7	15230-86CA0	REGULATOR	1	1	
8	09403-86CA4	CLAMP	2	2	
9	15167-86CA0	O RING 16,8 x 22,2	1	1	
10	16930-86CA0	DIPSTICK GUIDE	1	1	
11	16910-86CA0	OIL DIPSTICK	1	1	
12	09403-86CA1	CLAMP	1	1	
13	09403-86CA3	CLAMP	4	4	

FIG. 6D

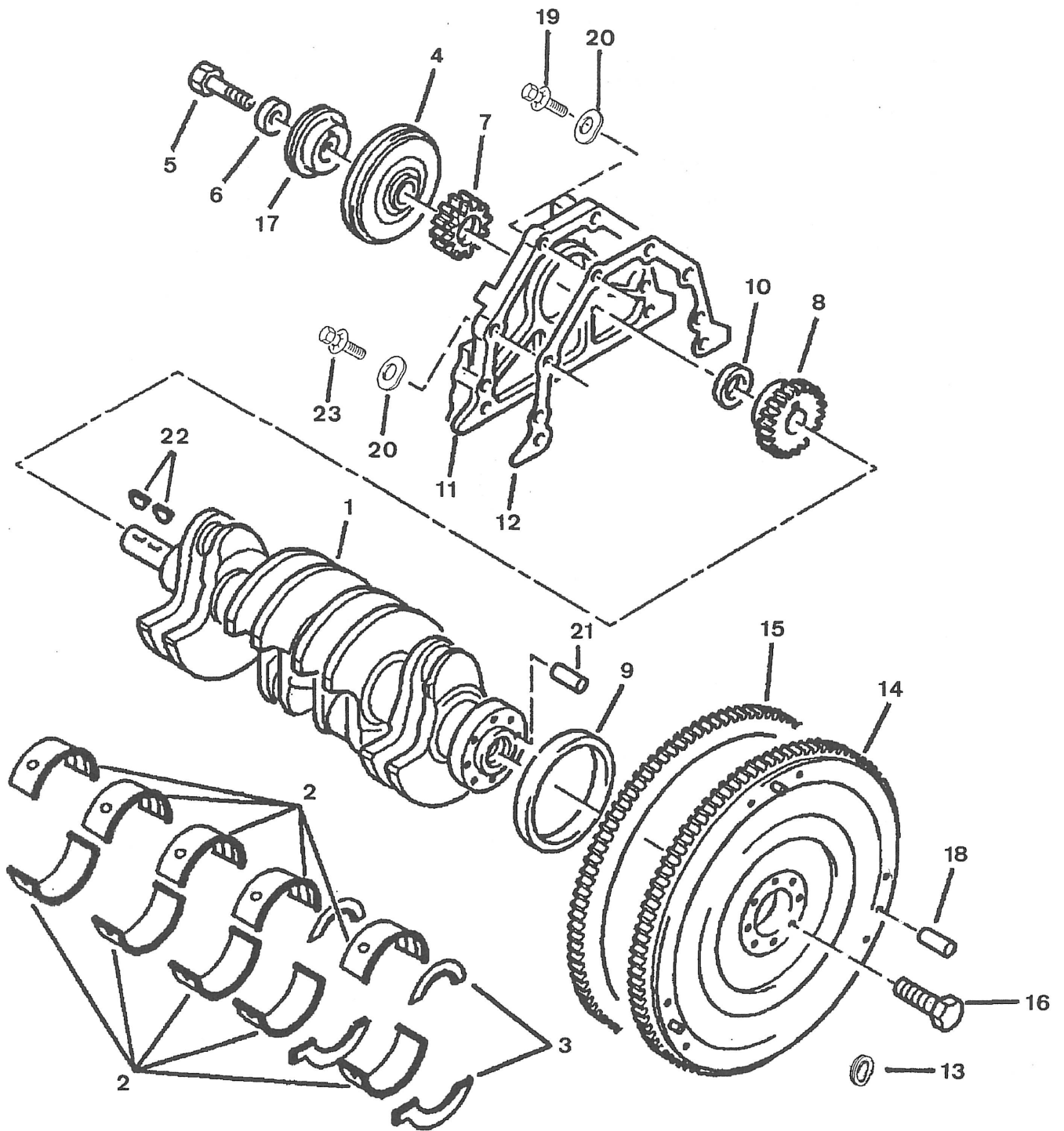


FIG. 006D CRANKSHAFT (1.9D)

REF. N.º	PART N.º	DESCRIPTION	Q, TY		REMARKS
			C	V	
1	12221-86CA0	CRANKSHAFT	1	1	
2	12340-86CA0	SET OF 10 HALF BEARING	1	1	
	12340-86CA1	SET OF 10 HALF BEARING	1	1	1ST REPAIRING
3	12351-86CA0	SET OF HALF FLANGES	2	2	
	12351-86CA1	SET OF HALF FLANGES	2	2	1ST REP. + 0,10
	12351-86CA2	SET OF HALF FLANGES	2	2	2ND REP. + 0,15
	12351-86CA3	SET OF HALF FLANGES	2	2	3RD REP. + 0,20
4	12610-86CA0	PULLEY CRANKSHAFT	1	1	
5	12636-86CA0	PULLEY SCREW 14 x 150-70	1	1	
6	12633-86CA0	PLATE WASHER Ø 14	1	1	
7	12631-86CA0	GEAR 21 PRONG	1	1	
8	12632-86CA0	INJ. PUMP GEAR 18 PRONG	1	1	
9	11314-86CA0	BEARING SEAL 90 x 110-7	1	1	
10	11228-86CA3	GASKET 42 x 62 x 7	1	1	
11	11312-86CA0	PLATE	1	1	
12	11313-86CA0	PLATE SEAL	1	1	
13	12623-86CA0	BEARING, INPUT SHEFT	1	1	
14	12621-86CA0	FLYWHEEL	1	1	
15	12622-86CA0	FLYWHEEL GEAR 136 PRONG	1	1	
16	12625-86CA0	FLYWHEEL SCREW 9 x 100-22	8	8	
17	11031-86CA0	ACCESSORY PULLEY	1	1	
18	M4221-86CA1	PIN 6 x 16	3	3	
19	11119-86CA1	SCREW 7 x 100-25	2	2	
20	08321-86CA2	SPRING WASHER Ø 7	4	4	
21	M4211-86CA1	PIN 8 x 17'5	8	8	
22	12230-86CA0	KEY 13 x 6-7	2	2	
23	11119-86CA2	SCREW 7 x 100-40	4	4	

FIG. 7D

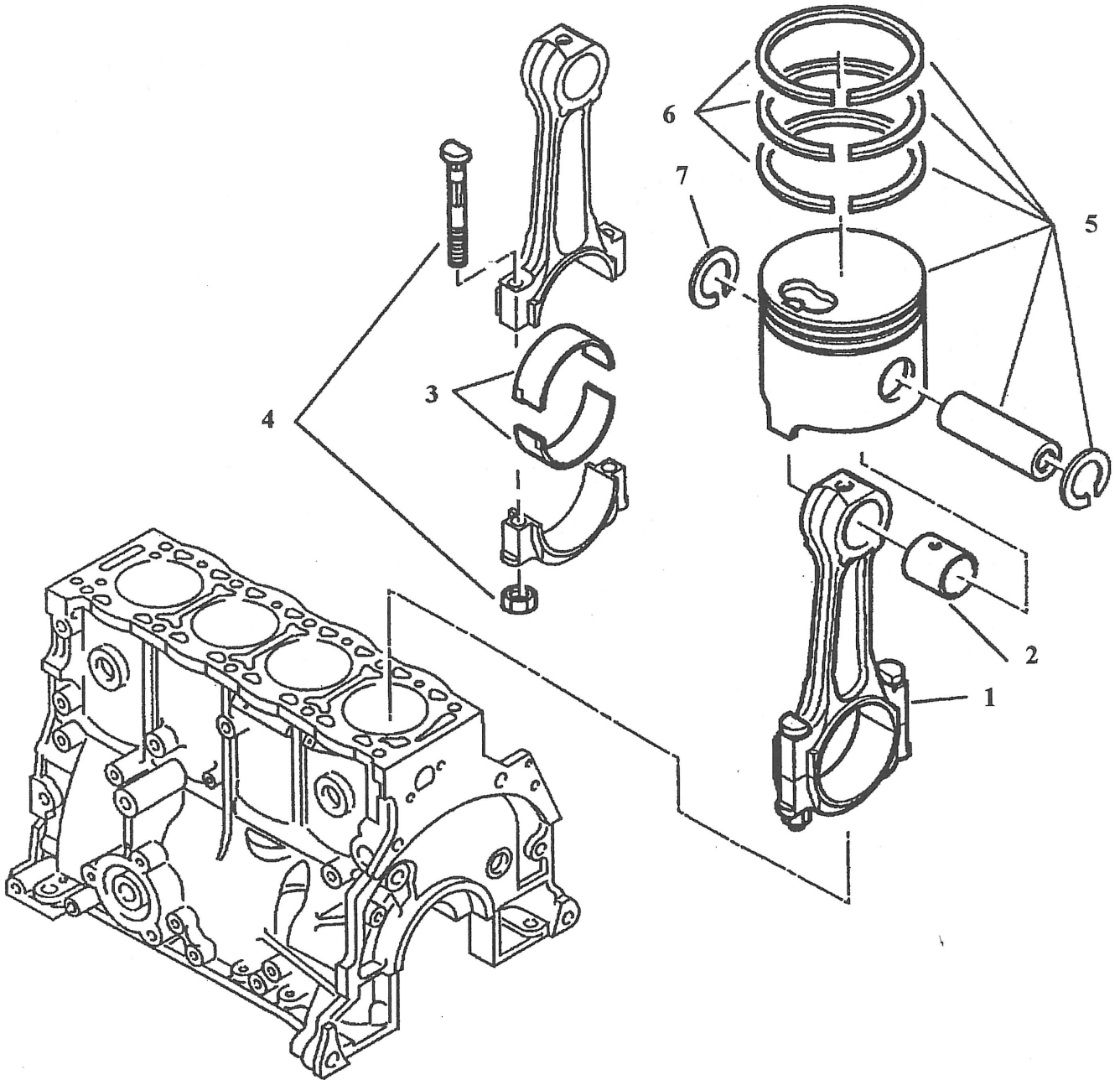


FIG. 007D CONNETING RODS AND PISTONS (1.9D)

REF. N.º	PART N.º	DESCRIPTION	Q, TY		REMARKS
			C	V	
1	12160-86CA0	SET OF 4 CON RODS	1	1	
2	12162-86CA0	BUSH	4	4	
3	12180-86CA0	SET OF 8 HALF BEARING	1	1	
	12180-86CA1	SET OF 8 HALF BEARING	1	1	1ST REPAIRING
4	09159-86CA0	CONNECTING ROD BOLT	8	8	
5	12111-86CA0	SET OF 4 PISTONS	1	1	
	12111-86CA1	SET OF 4 PISTONS	1	1	1ST REP.+ 0,20
	12111-86CA2	SET OF 4 PISTON	1	1	2ND REP.+ 0,50
	12111-86CA3	SET OF 4 PISTONS	1	1	3RD REP.+ 0,80
6	12140-86CA0	SET OF 3 PISTON RINGS	4	4	
	12140-86CA1	SET OF 3 PISTON RINGS	4	4	1ST REP.+ 0,20
	12140-86CA2	SET OF 3 PISTON RINGS	4	4	2ND REP.+ 0,50
	12140-86CA3	SET OF 3 PISTON RINGS	4	4	3RD REP.+ 0,80
7	12161-86CA0	PISTON PIN	8	8	

FIG. 8D

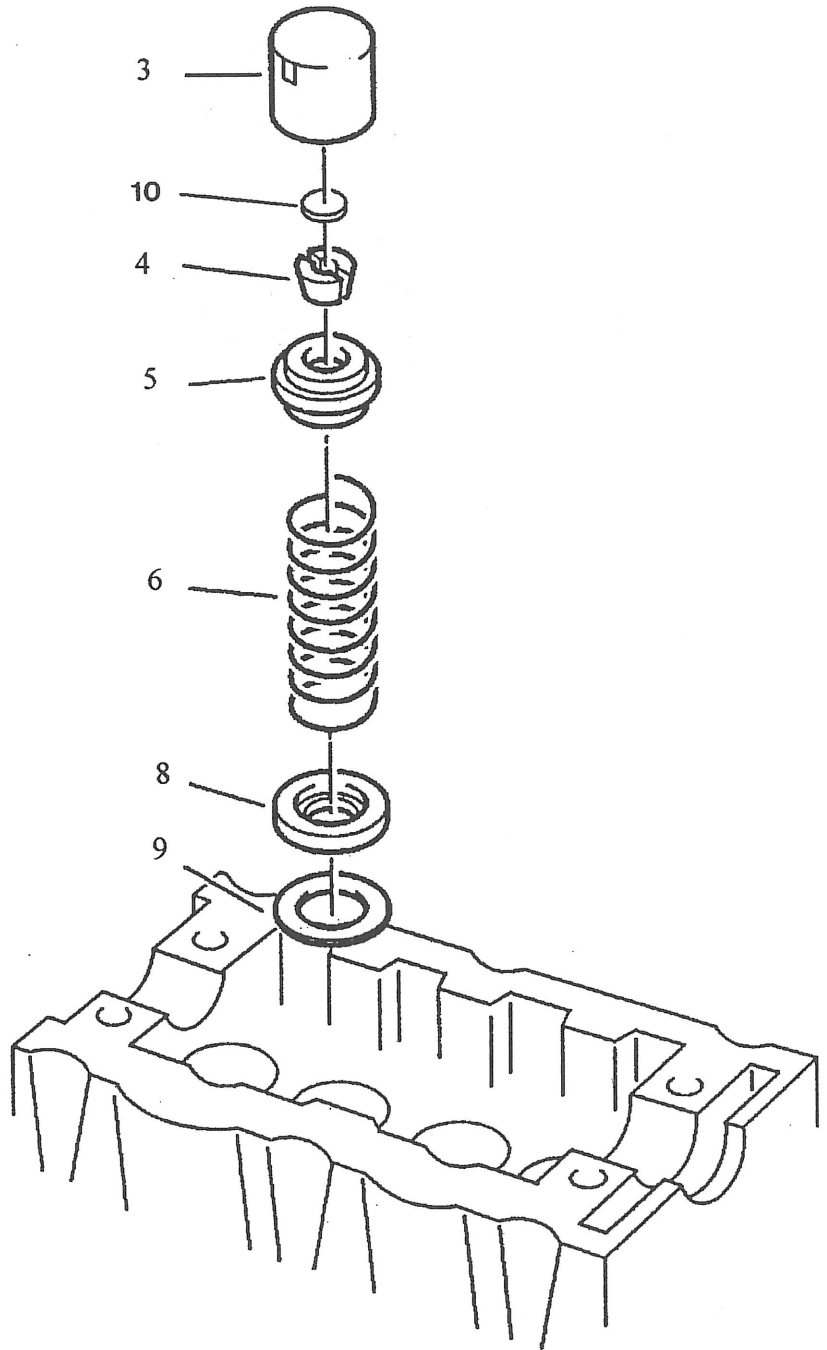
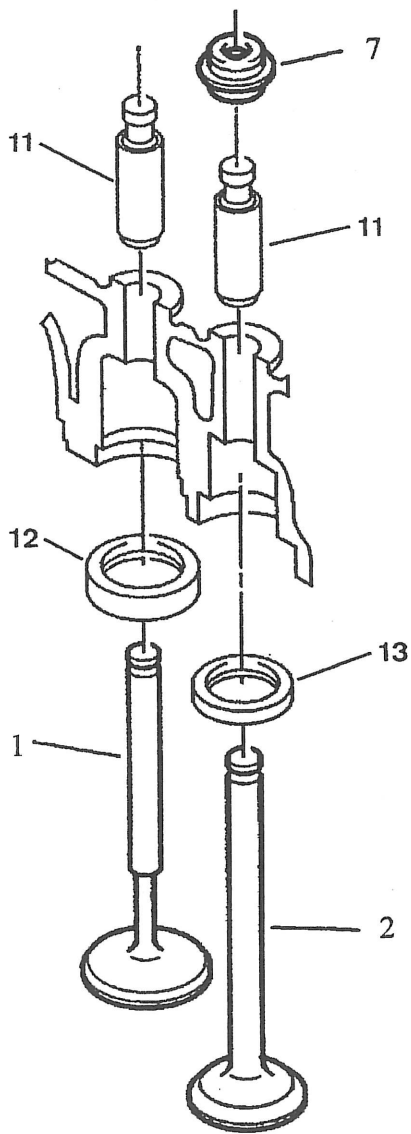


FIG. 008D VALVES (1.9D)

REF. N.º	PART N.º	DESCRIPTION	Q, TY		REMARKS
			C	V	
1	12911-86CA0	INTAKE VALVE	4	4	
2	12915-86CA0	EXHAUST VALVE	4	4	
3	12841-86CA0	TAPPET	8	8	
4	12932-86CA0	VALVE HALF BUSH	16	16	
5	12931-86CA0	VALVE SPRING CAP	8	8	
6	12921-86CA0	VALVE SPRING	8	8	
7	09289-86CA0	VALVE SEAL	8	8	
8	12933-86CA0	RETAINER	8	8	
9	09160-86CA4	WASHER 14,5 x 33-0,4	8	8	
10	12892-86CA1-650	INSERT	8	8	
	12892-86CA1-725	INSERT	8	8	
	12892-86CA1-800	INSERT	8	8	
	12892-86CA1-900	INSERT	8	8	
	12892-86CA1-975	INSERT	8	8	
	12892-86CA2-050	INSERT	8	8	
	12892-86CA2-125	INSERT	8	8	
	12892-86CA2-225	INSERT	8	8	
	12892-86CA2-250	INSERT	8	8	
	12892-86CA2-275	INSERT	8	8	
	12892-86CA2-300	INSERT	8	8	
	12892-86CA2-325	INSERT	8	8	
	12892-86CA2-350	INSERT	8	8	
	12892-86CA2-375	INSERT	8	8	
	12892-86CA2-400	INSERT	8	8	
	12892-86CA2-425	INSERT	8	8	
	12892-86CA2-450	INSERT	8	8	
	12892-86CA2-475	INSERT	8	8	
	12892-86CA2-500	INSERT	8	8	
	12892-86CA2-525	INSERT	8	8	
	12892-86CA2-550	INSERT	8	8	
	12892-86CA2-575	INSERT	8	8	
	12892-86CA2-600	INSERT	8	8	
	12892-86CA2-625	INSERT	8	8	
	12892-86CA2-650	INSERT	8	8	
	12892-86CA2-675	INSERT	8	8	
	12892-86CA2-700	INSERT	8	8	
	12892-86CA2-725	INSERT	8	8	
	12892-86CA2-750	INSERT	8	8	
	12892-86CA2-775	INSERT	8	8	
	12892-86CA2-800	INSERT	8	8	
	12892-86CA2-825	INSERT	8	8	
	12892-86CA2-850	INSERT	8	8	
	12892-86CA2-875	INSERT	8	8	
	12892-86CA2-900	INSERT	8	8	
	12892-86CA2-925	INSERT	8	8	
	12892-86CA2-950	INSERT	8	8	

FIG. 8D

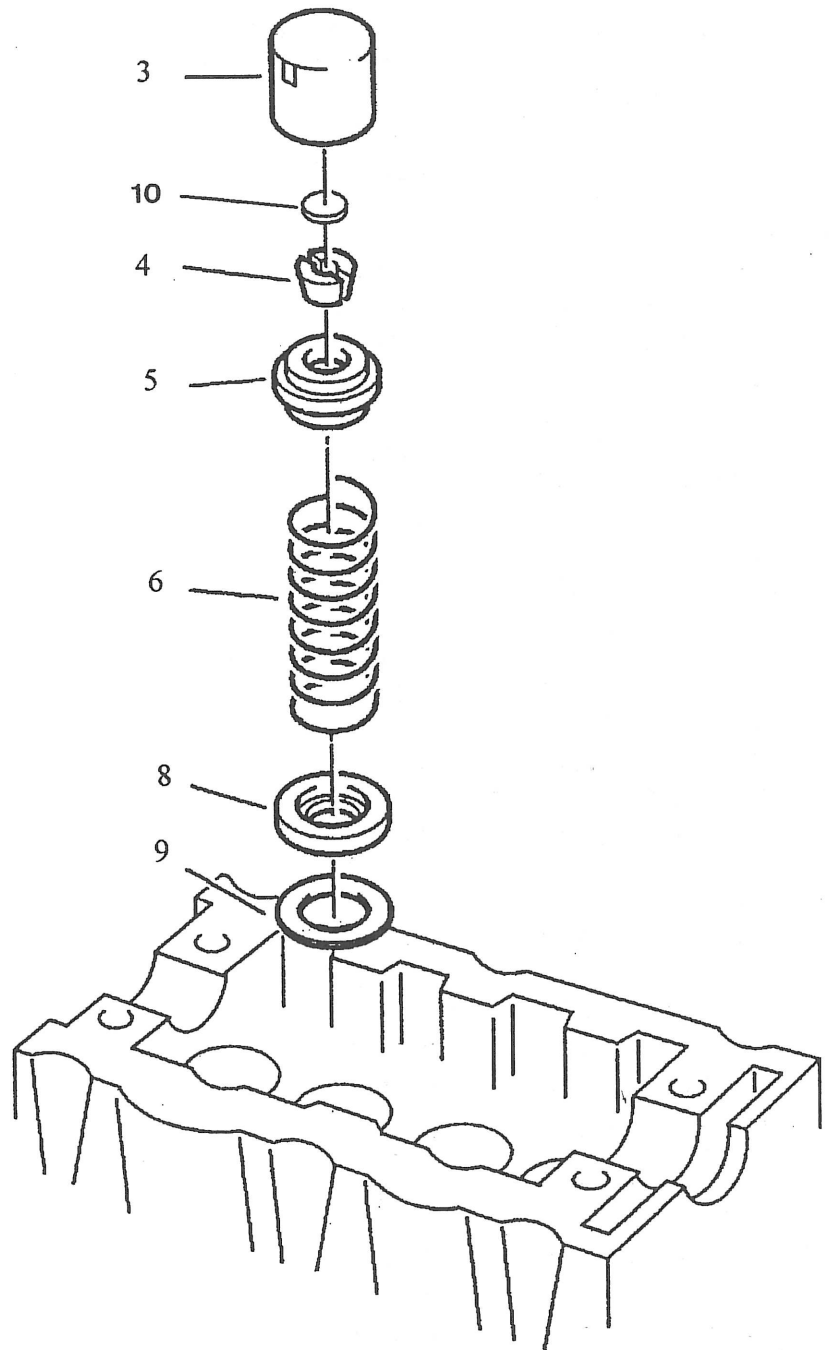
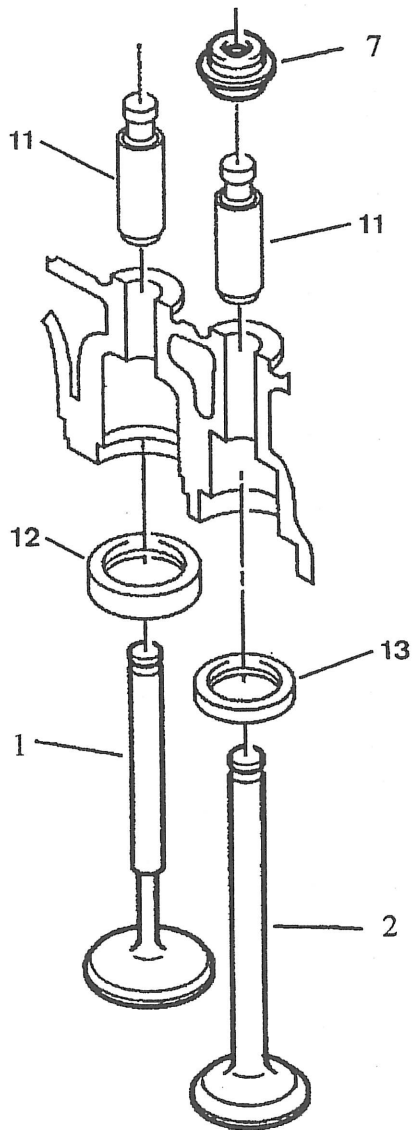




FIG. 008D VALVES (1.9D)

REF. N.º	PART N.º	DESCRIPTION	Q, TY		REMARKS
			C	V	
10	12892-86CA2-975	INSERT	8	8	
	12892-86CA3-000	INSERT	8	8	
	12892-86CA3-025	INSERT	8	8	
	12892-86CA3-225	INSERT	8	8	
	12892-86CA3-250	INSERT	8	8	
	12892-86CA3-275	INSERT	8	8	
	12892-86CA3-300	INSERT	8	8	
	12892-86CA3-325	INSERT	8	8	
	12892-86CA3-350	INSERT	8	8	
	12892-86CA3-375	INSERT	8	8	
	12892-86CA3-400	INSERT	8	8	
	12892-86CA3-425	INSERT	8	8	
	12892-86CA3-450	INSERT	8	8	
	12892-86CA3-475	INSERT	8	8	
	12892-86CA3-500	INSERT	8	8	
	12892-86CA3-550	INSERT	8	8	
	12892-86CA3-625	INSERT	8	8	
	12892-86CA3-700	INSERT	8	8	
	12892-86CA3-775	INSERT	8	8	
	12892-86CA3-850	INSERT	8	8	
12892-86CA3-925	INSERT	8	8		
12892-86CA4-000	INSERT	8	8		
11	12919-86CA0	VALVE GUIDE	8	8	1ST REP. + 0,27
	12919-86CA1	VALVE GUIDE	8	8	2ND REP.+ 0,57
12	12910-86CA0	INLET VALVE SEAT	4	4	
13	12914-86CA0	OUTLET VALVE SEAT	4	4	

FIG. 9D

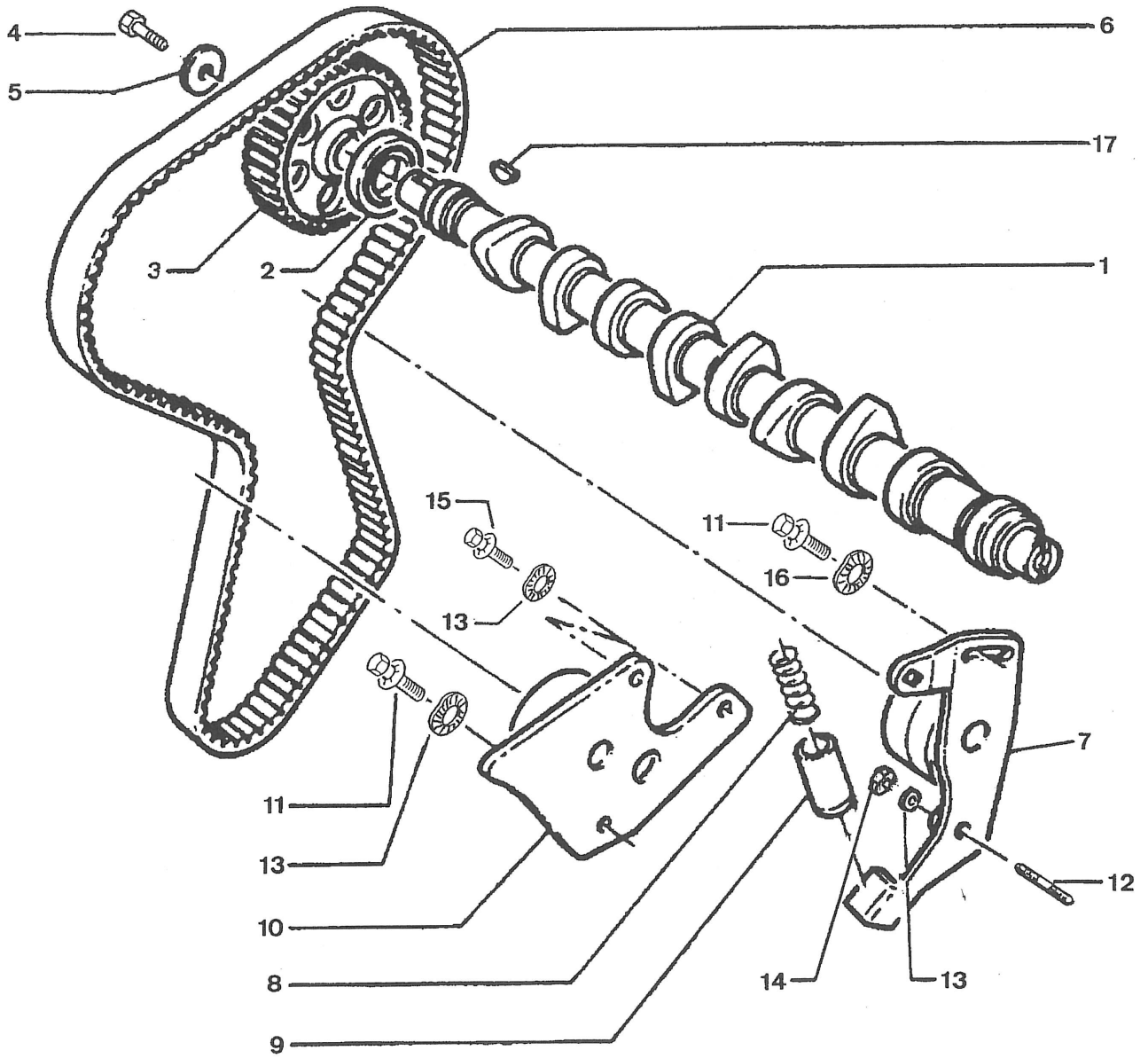


FIG. 009D CAMSHAFT (1.9D)

REF. N.º	PART N.º	DESCRIPTION	Q, TY		REMARKS
			C	V	
1	12711-86CA0	CAMSHAFT	1	1	
2	11378-86CA0	CAMSHAFT SEAL	1	1	
3	12741-86CA0	GEAR	1	1	
4	12746-86CA0	SCREW 10 x 150-35	1	1	
5	12745-86CA0	WASHER 10,2 x 36 x 5	1	1	
6	12761-86CA0	COGGED BELT	1	1	
7	12830-86CA0	TENSIONER	1	1	
8	12821-86CA0	SPRING	1	1	
9	12821-86CA1	SPRING GUIDE	1	1	
10	1281 0-86CA0	ROLLER	1	1	
11	11119-86CA3	SCREW 8 x 125-30	2	2	
12	M1421-86CA1	STUD 8 x 125	1	1	
13	08321-86CA3	SPRING WASHE 8 x 17-0,8	3	3	
14	M8316-86CA1	HEXAGONAL NUT 8 x 125	1	1	
15	11119-86CA4	SCREW 8 x 1,25-20	2	2	
16	09160-86CA7	PLATE WASHER 8 x 22-2,5	1	1	
17	12230-86CA1	KEY 15 x 5-6,5	1	1	

FIG. 10D

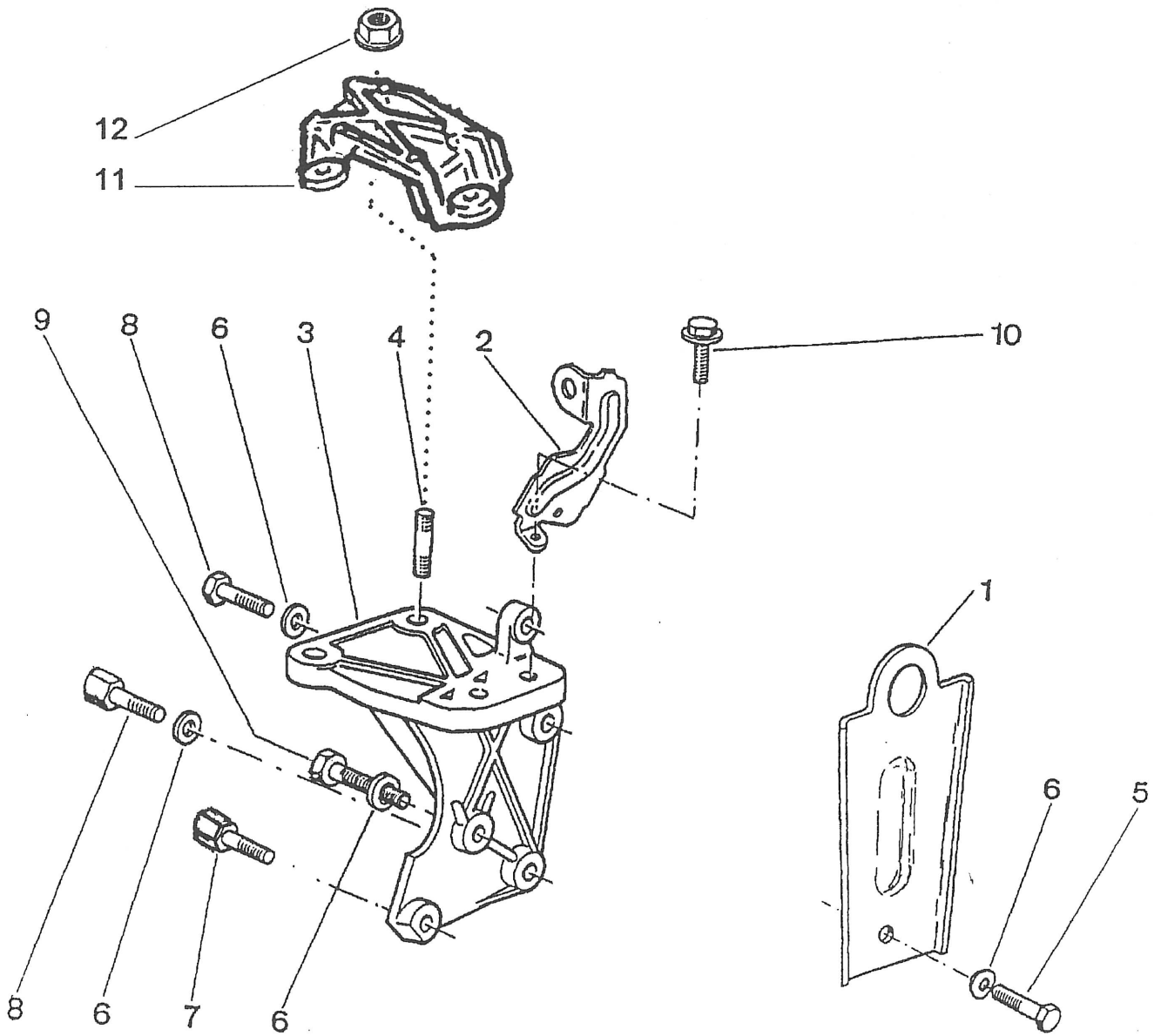


FIG. 010D ENGINE BRACKET (1.9D)

REF. N.º	PART N.º	DESCRIPTION	Q, TY		REMARKS
			C	V	
1	11710-86CA0	LIFTING BRACKET	1	1	
2	11741-86CA1	LIFTING BRACKET	1	1	
3	11650-86CA0	INTERMEDIATE UPPER	1	1	
4	01560-86CA0	STUD 10 x 150-55	3	3	
5	01570-86CA0	SCREW 8 x 125-25	1	1	
6	08321-86CA1	SPRING WASHER Ø 8	4	4	
7	01580-86CA0	SCREW	2	2	
8	01580-86CA0	SCREW	1	1	
9	01590-86CA0	SCREW	1	1	
10	01610-86CA0	SCREW 7 x 100-20	1	1	
11	11730-86CA0	TIMING COVER PROTEC	1	1	
12	08316-86CA0	NUT 10 x 150	3	3	

FIG. 11D

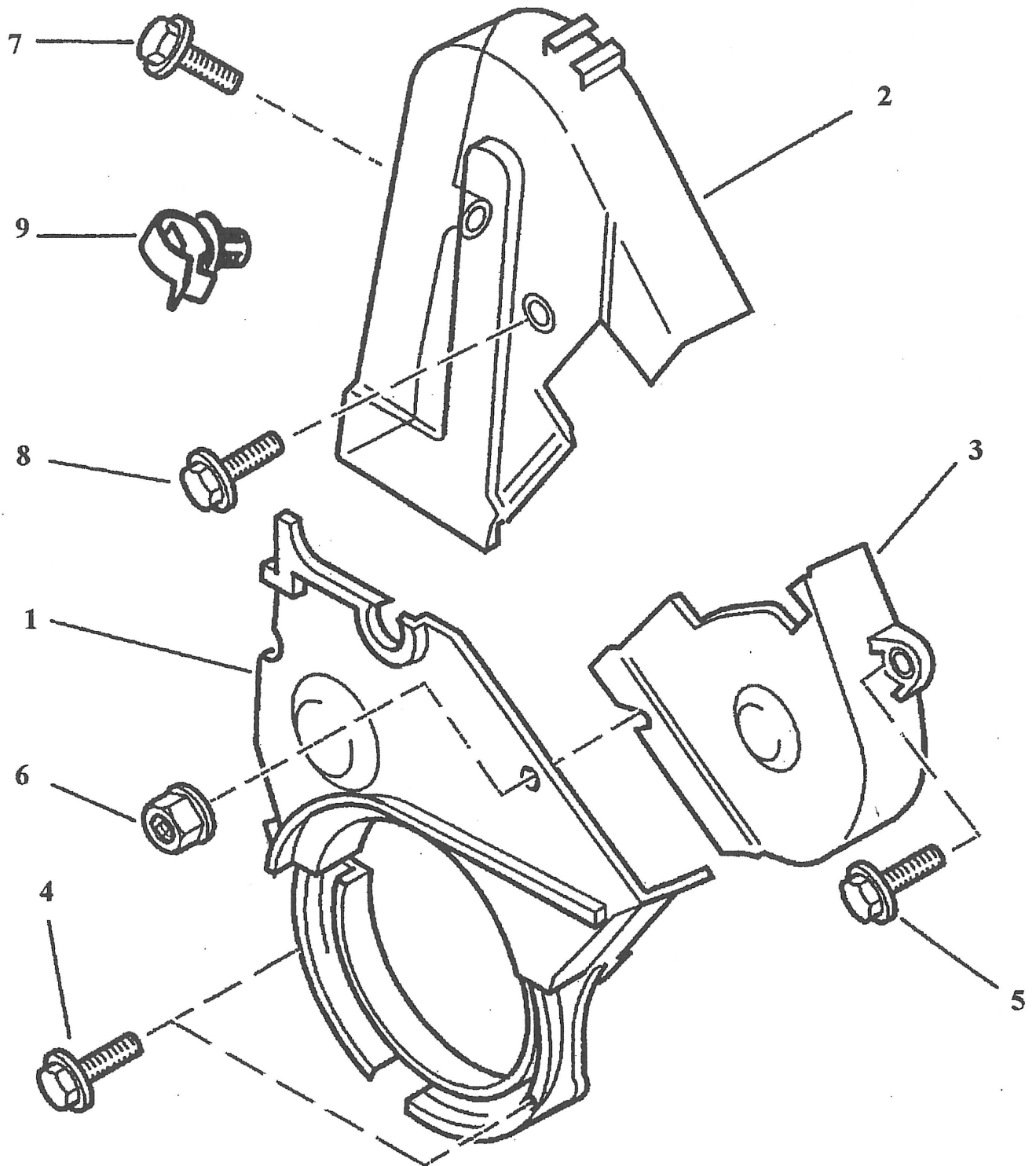


FIG. 011D TIMING COVER (1.9D)



REF. N.º	PART N.º	DESCRIPTION	Q, TY		REMARKS
			C	V	
1	11380-86CA0	LOWER PROTECTOR	1	1	
2	11390-86CA0	LEFT TIMING CASE	1	1	
3	11360-86CA0	RIGHT TIMING CASE	1	1	
4	11119-86CA6	SCREW 7 x 100-12	2	2	
5	11119-86CA7	SCREW 6 x 100-25	1	1	
6	M8316-86CA0	NUT 6 x 100	1	1	
7	11119-86CA8	SCREW 7 x 100 -35	1	1	
8	11119-86CA9	SCREW 6 x 100 -16	1	1	
9	11367-86CA0	CLIP	1	1	

FIG. 12D

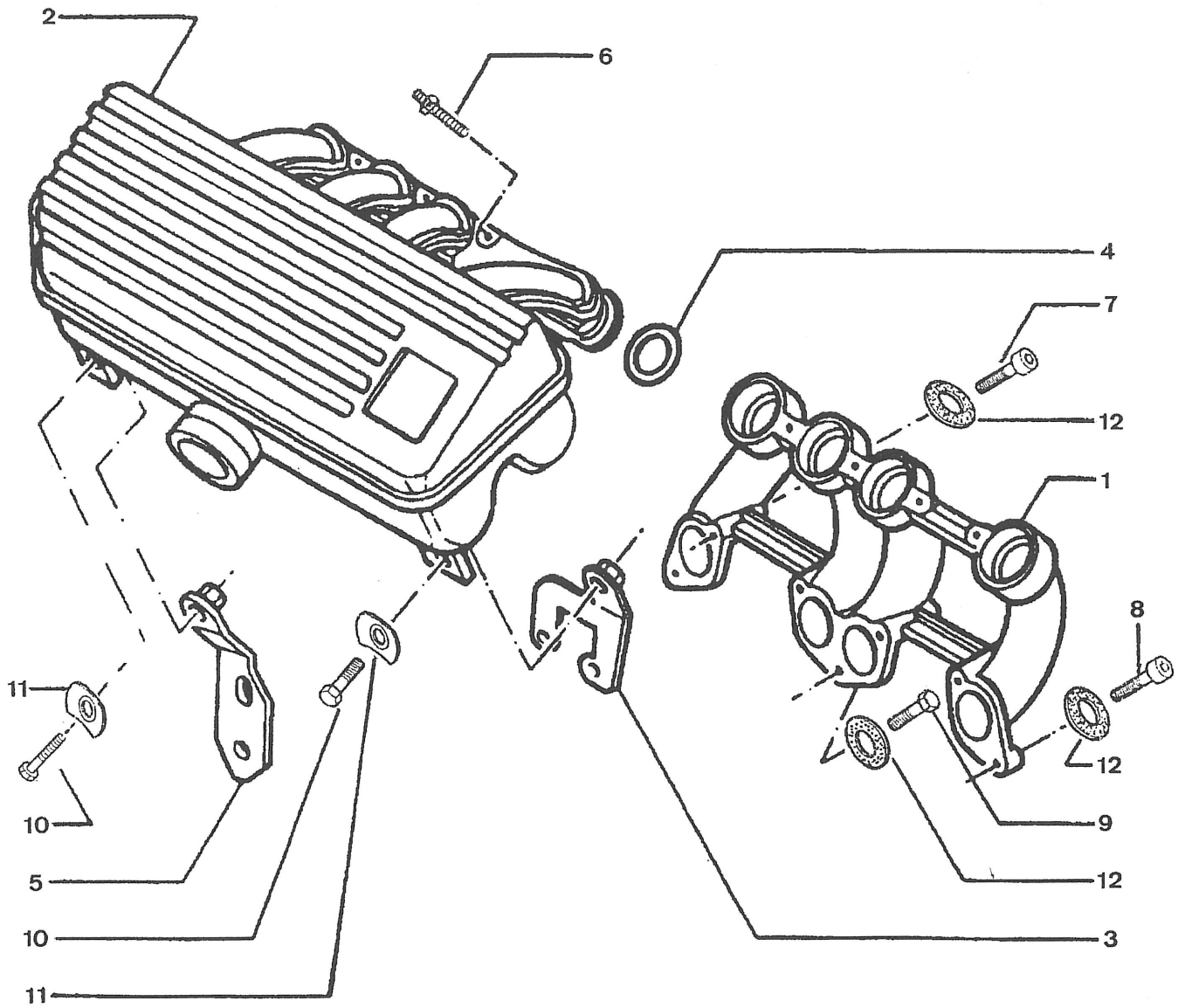




FIG. 012D INLET MANIFOLD (1.9D)

REF. N.º	PART N.º	DESCRIPTION	Q, TY		REMARKS
			C	V	
1	13110-86CA0	INLET MANIFOLD	1	1	
2	13830-86CA0	AIR DIVIDER	1	1	
3	13115-86CA0	BRACKET	1	1	
4	13119-86CA0	O-RING	4	4	
5	13115-86CA1	BRACKET	1	1	
6	01517-86CA1	SCREW 6 x 100-46	4	4	
7	M9103-86CA1	SCREW 8 x 125-70	4	4	
8	00054-86CA0	SCREW 8 x 125-25	2	2	
9	01570-86CA0	SCREW 8 x 125-25	1	1	
10	01517-86CA2	SCREW 6 x 100-16	2	2	
11	09160-86CA5	WASHER 6 x 20-13	2	2	
12	08321-86CA1	SPRING WASHER 8 x 17-0,8	7	7	

FIG. 13D

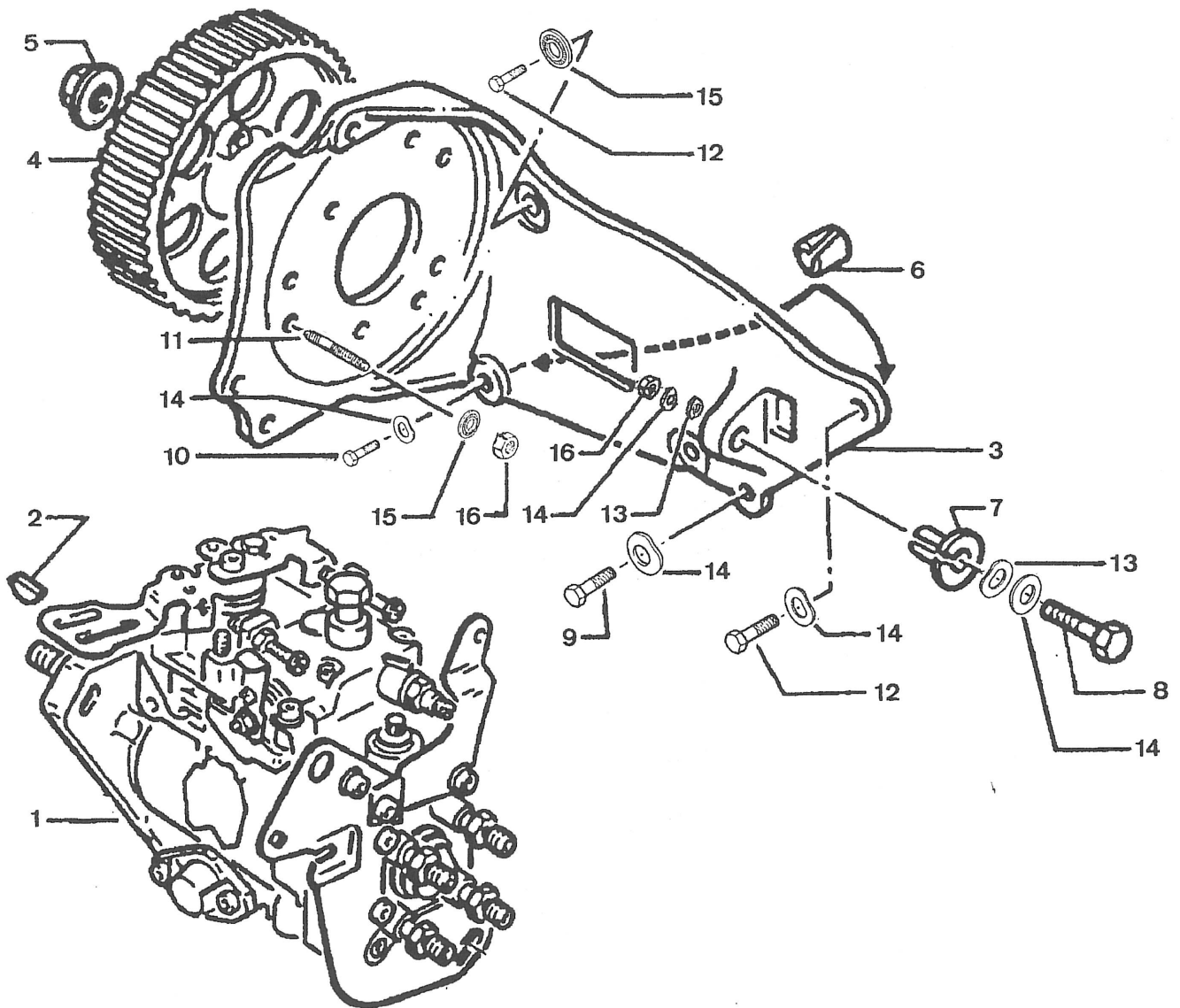


FIG. 013D INJECTION PUMP (1.9D)

REF. N.º	PART N.º	DESCRIPTION	Q, TY		REMARKS
			C	V	
1	15200-86CA0	INJECTION PUMP	1	1	
2	12230-86CA2	KEY	1	1	
3	15281-86CA0	BRACKET	1	1	
4	12741-86CA1	INJ. PUMP GEAR	1	1	
5	08316-86CA1	NUT Ø 12	1	1	
6	35337-86CA0	PIN 10 x 10	2	2	
7	15167-86CA5	RING	1	1	
8	01570-86CA4	SCREW 8 x 125-50	1	1	
9	11119-86CA3	SCREW 8 x 125-30	1	1	
10	01570-86CA5	SCREW 8 x 125-55	1	1	
11	M1421-86CA3	STUD 8 x 125	3	3	
12	01570-86CA1	SCREW 8 x 125-35	2	2	
13	09160-86CA9	PLATE WASHER 8 x 22-2,5	2	2	
14	08321-86CA3	SPRING WASHER 8 x 17-0,8	6	6	
15	08322-86CA0	WASHER 8 x 18-1,4	3	3	
16	M8316-86CA1	NUT 8 x 125	4	4	

FIG. 14D

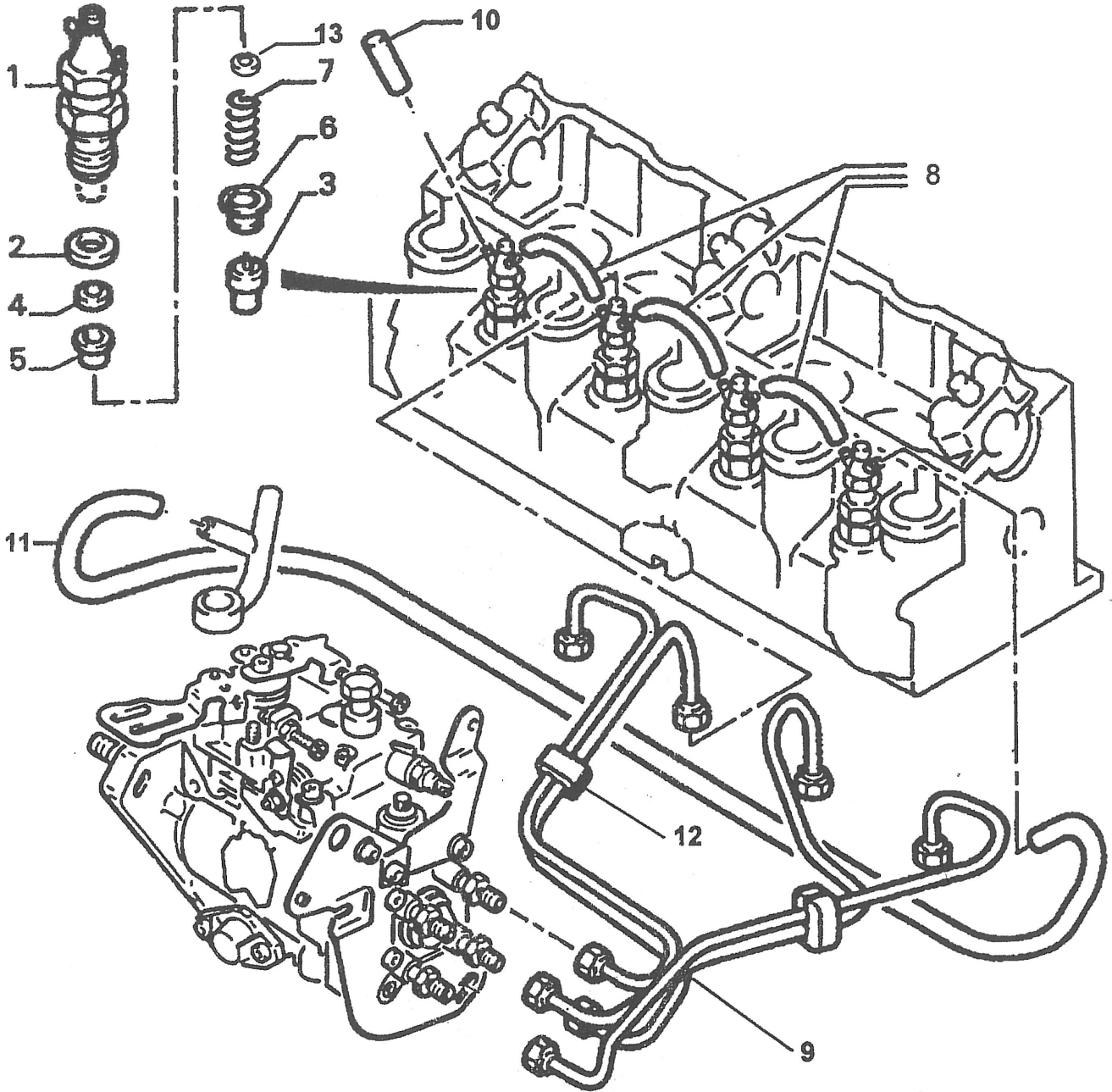


FIG. 014D FUEL DELIVERY (1.9D)

REF. N.º	PART N.º	DESCRIPTION	Q, TY		REMARKS
			C	V	
1	15311-86CA0	INJECTOR HOLDER	4	4	
2	15319-86CA0	INJ. GASKET 15,6 x 21,2-2,2	4	4	
3	15312-86CA0	INJECTOR	4	4	
4	15319-86CA1	INJECTOR GASKET 7,2 x 13,6-0,4	4	4	
5	15318-86CA0	PLUG Ø 17,50	4	4	
6	15313-86CA0	SPACER	4	4	
7	15315-86CA0	SPRING	4	4	
8	15865-86CA0	UNION 3 x 7	3	3	
9	15833-86CA0	PIPE	1	1	
10	18550-86CA0	PLUG	1	1	
11	17876-86CA0	UNION 3 x 7	1	1	
12	15895-86CA0	CLAMP	2	2	
13	15316-86CA0-079	CALIBRATION WASHER	4	4	
	15316-86CA0-082	CALIBRATION WASHER	4	4	
	15316-86CA0-085	CALIBRATION WASHER	4	4	
	15316-86CA0-088	CALIBRATION WASHER	4	4	
	15316-86CA0-091	CALIBRATION WASHER	4	4	
	15316-86CA0-094	CALIBRATION WASHER	4	4	
	15316-86CA0-097	CALIBRATION WASHER	4	4	
	15316-86CA0-100	CALIBRATION WASHER	4	4	
	15316-86CA0-103	CALIBRATION WASHER	4	4	
	15316-86CA0-106	CALIBRATION WASHER	4	4	
	15316-86CA0-130	CALIBRATION WASHER	4	4	
	15316-86CA0-133	CALIBRATION WASHER	4	4	
	15316-86CA0-136	CALIBRATION WASHER	4	4	
	15316-86CA0-139	CALIBRATION WASHER	4	4	
	15316-86CA0-142	CALIBRATION WASHER	4	4	
	15316-86CA0-145	CALIBRATION WASHER	4	4	
	15316-86CA0-148	CALIBRATION WASHER	4	4	

FIG. 15D

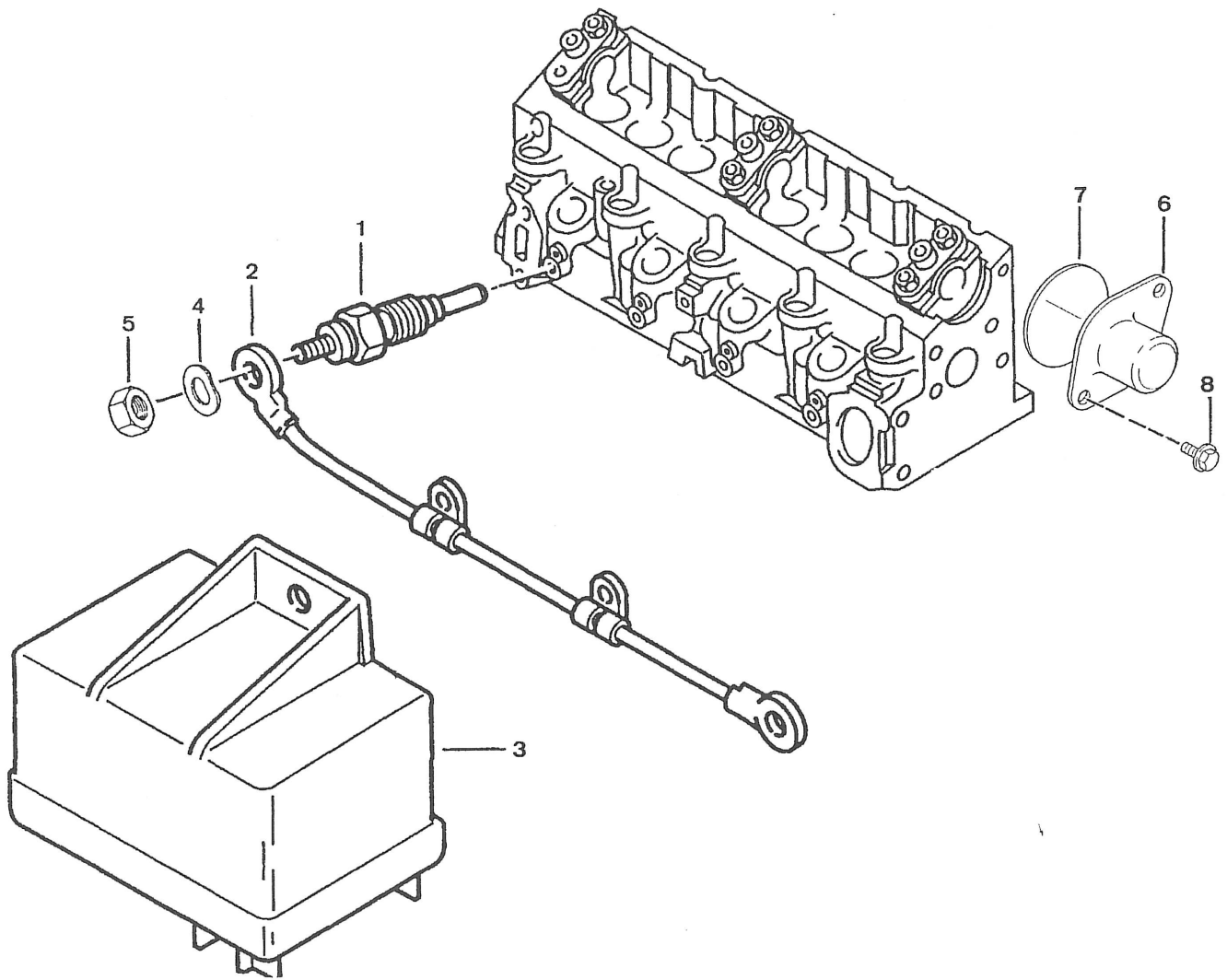




FIG. 16D

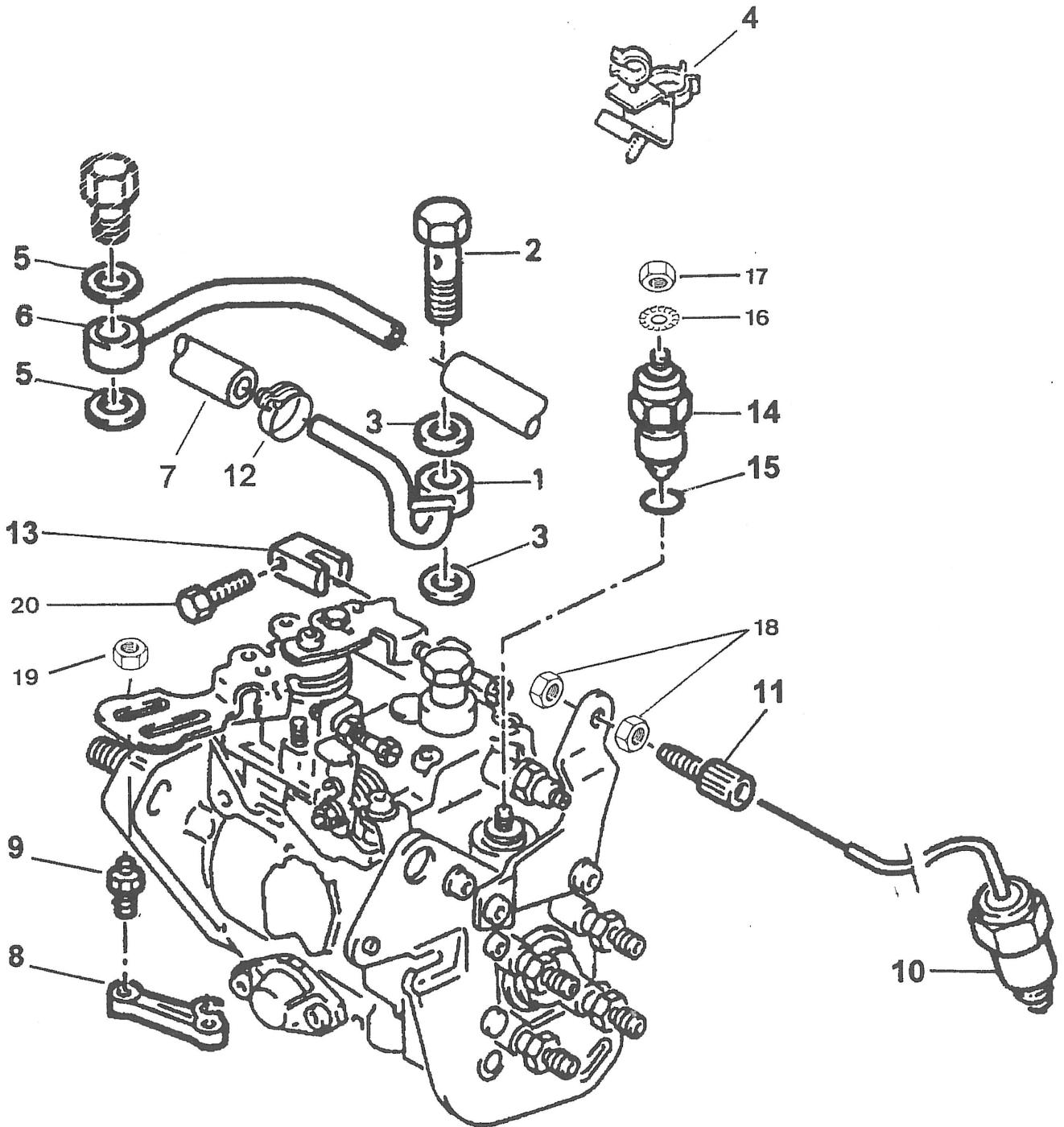




FIG. 016D SOENOIL AND THERMOST. ELEMENT (1.9D)

REF. N.º	PART N.º	DESCRIPTION	Q, TY		REMARKS
			C	V	
1	15260-86CA0	OUTLET TUBE	1	1	
2	15261-86CA0	CONNECTION SCREW	1	1	
3	11228-86CA7	GASKET 12,7 x 18	2	2	
4	11367-86CA1	CLIP	1	1	
5	11228-86CA8	GASKET 12,1 x 18,2	2	2	
6	15250-86CA0	INLET UNION	1	1	
7	17878-86CA0	HOSE 7 x 13	1	1	
8	13433-86CA0	JOURNAL	1	1	
9	15272-86CA0	SCREW 7 x 100 -10/25	1	1	
10	15240-86CA0	THERMOSTATIC ELEM.	1	1	
11	34851-86CA0	ADJUSTING SCREW	1	1	
12	09401-86CA0	CLAMP	1	1	
13	13446-86CA1	CABLE CLAMP	1	1	
14	15220-86CA0	SOLENOID VALVE	1	1	
15	15167-86CA2	O - RING	1	1	
16	08322-86CA1	WASHER Ø 5	1	1	
17	M8316-86CA3	NUT	1	1	
18	M8316-86CA4	NUT 8 x 125	2	2	
19	M8316-86CA5	NUT 7 x 100	1	1	
20	09100-86CA0	SCREW 4 x 70	1	1	

FIG. 17D

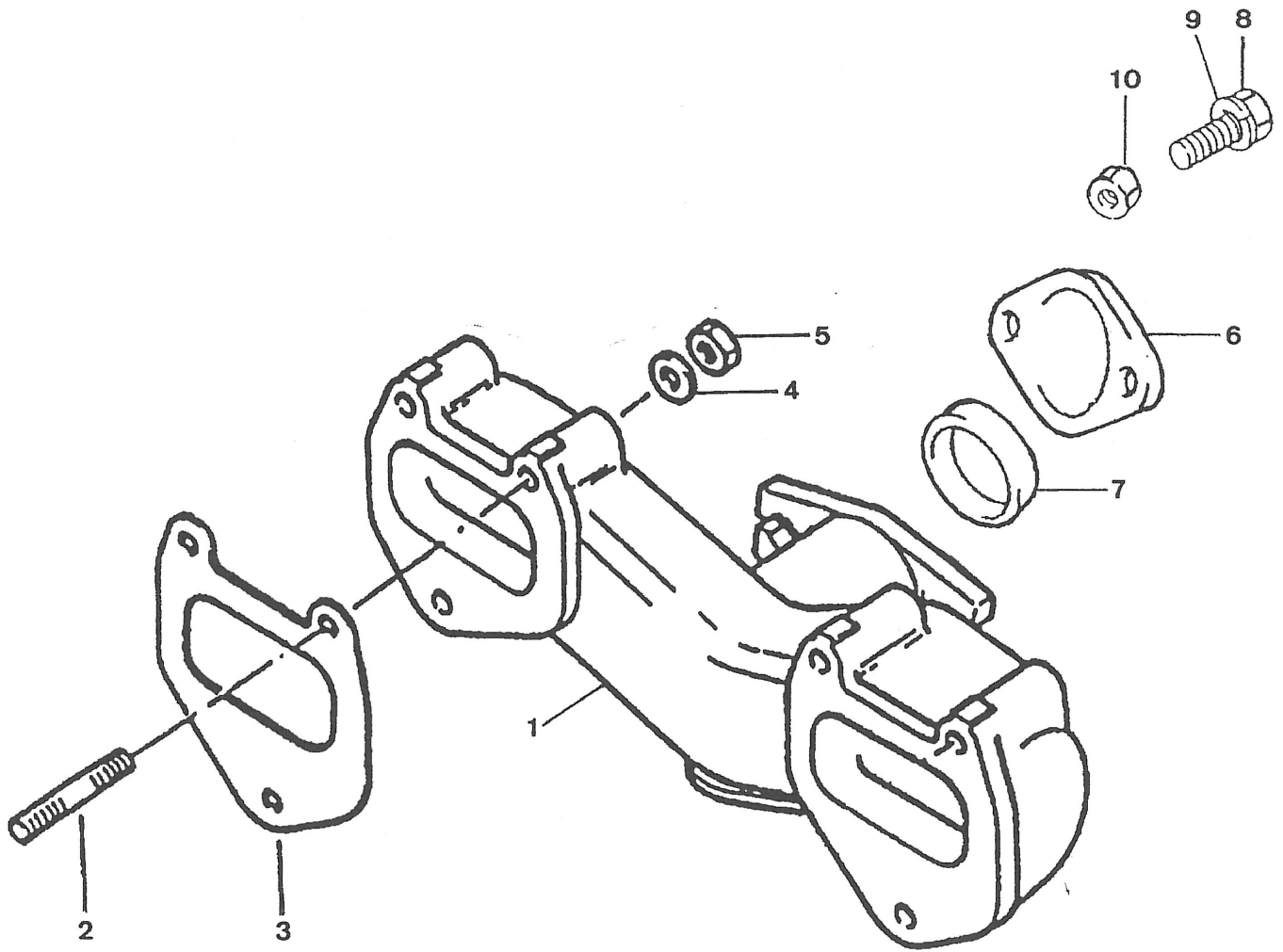


FIG. 017D EXHAUST MANIFOLD (1.9D)

REF. N.º	PART N.º	DESCRIPTION	Q, TY		REMARKS
			C	V	
1	14111-86CA0	EXHAUST MANIFOLD	1	1	
2	M1421-86CA2	STUD 8 x 125-60	6	6	
3	14141-86CA0	GASKET	2	2	
4	09160-86CA6	WASHER	6	6	
5	M8316-86CA2	NUT 8 x 125	6	6	
6	11025-86CA0	COVER, FLANGE EXH. MANIF.	1	1	
7	14183-86CB0	GASKET COVER FLANGE	1	1	
8	01550-08303	BOLT, COVER FLANGE	2	2	
9	09160-08030	PLANE WASHER, COVER	2	2	
10	08316-10083	NUT, COVER	2	2	

FIG. 18D

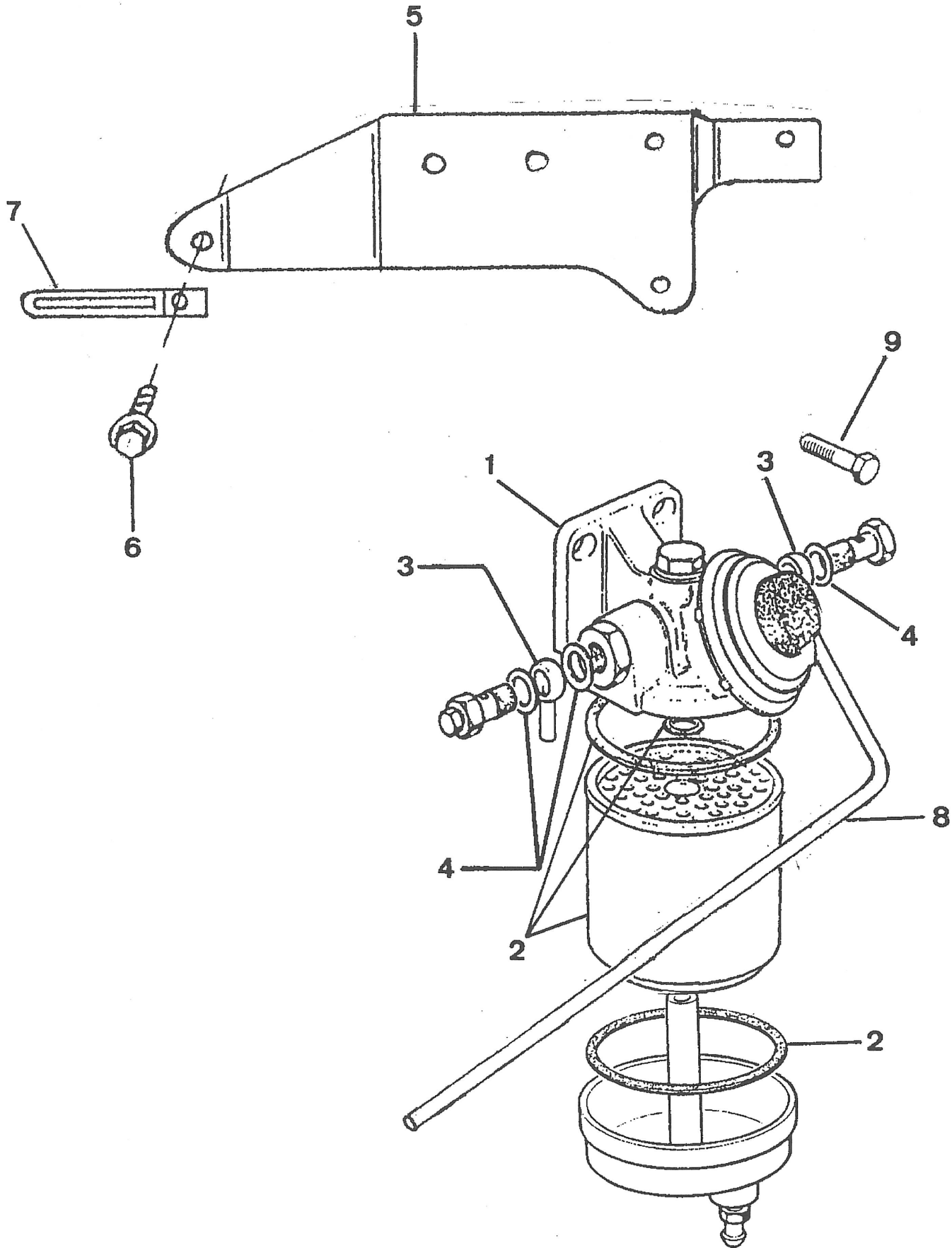


FIG. 018D FUEL FILTER (1.9D)

REF. N.º	PART N.º	DESCRIPTION	Q, TY		REMARKS
			C	V	
1	15410-86CA1 ✕	DECANTING FILTER	1	1	
2	15410-86CA0 —	FILTER ELEMENT	1	1	
3	15410-86CA2	BANJO Ø8	2	2	
4	11228-86CA5 —	GASKET	4	4	
5	57253-86CA0	BRACKET, FILTER	1	1	
6	01550-06103	SCREW	3	3	
7	36990-85C30	CLAMP	1	1	
8	30028-86CA0	PIPE FUEL OUTLET FILTER	1	1	
9	01550-10253	BOLT, FUEL FILTER	2	2	

FIG. 19D

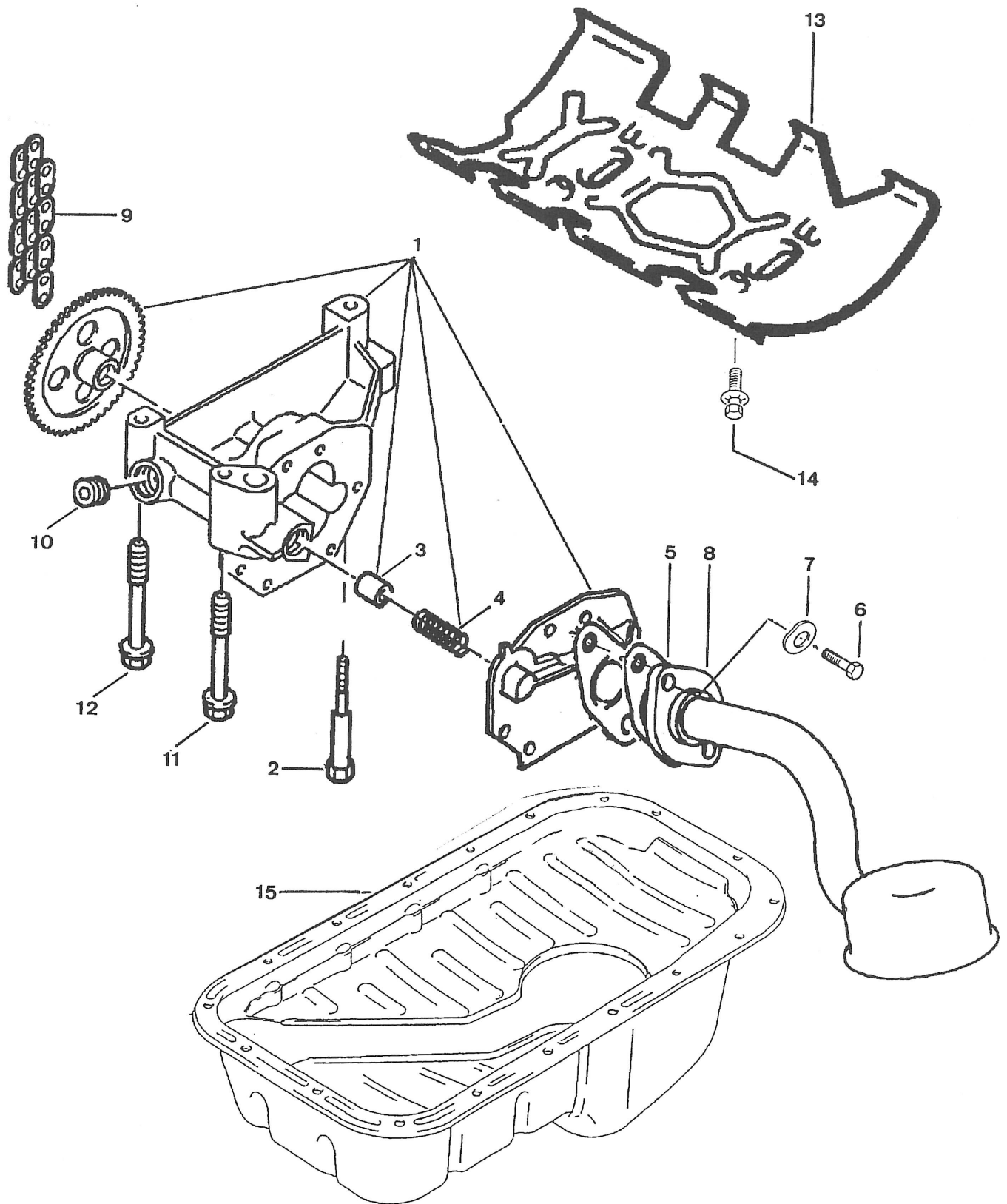


FIG. 019D OIL PUMP (1.9D)

REF. N.º	PART N.º	DESCRIPTION	Q, TY		REMARKS
			C	V	
1	16100-86CA0	OIL PUMP	1	1	
2	09111-86CA0	SCREW 7 x 100-70	1	1	
3	16151-86CA0	OIL PUMP GEAR 16 x 25	1	1	
4	16152-86CA0	SPRING	1	1	
5	16527-86CA1	GASKET	1	1	
6	01517-86CA2	SCREW 6 x 100-16	2	2	
7	08321-86CA0	SPRING WASHER 6 x 12,2-0,5	6	6	
8	16520-86CA1	STRAINER	1	1	
9	10100-86CA0	OIL PUMP CHAIN	1	1	
10	11226-86CA2	PLUG 16 x 150	2	2	
11	01610-86CA1	SCREW 7 x 100-70	1	1	
12	01610-86CA2	SCREW 7 x 100-85	1	1	
13	11512-86CA0	OIL PLATE	1	1	
14	11119-86CA5	SCREW 6 x 100-16	4	4	
15	11510-86CA0	PAN OIL	1	1	

FIG. 20D

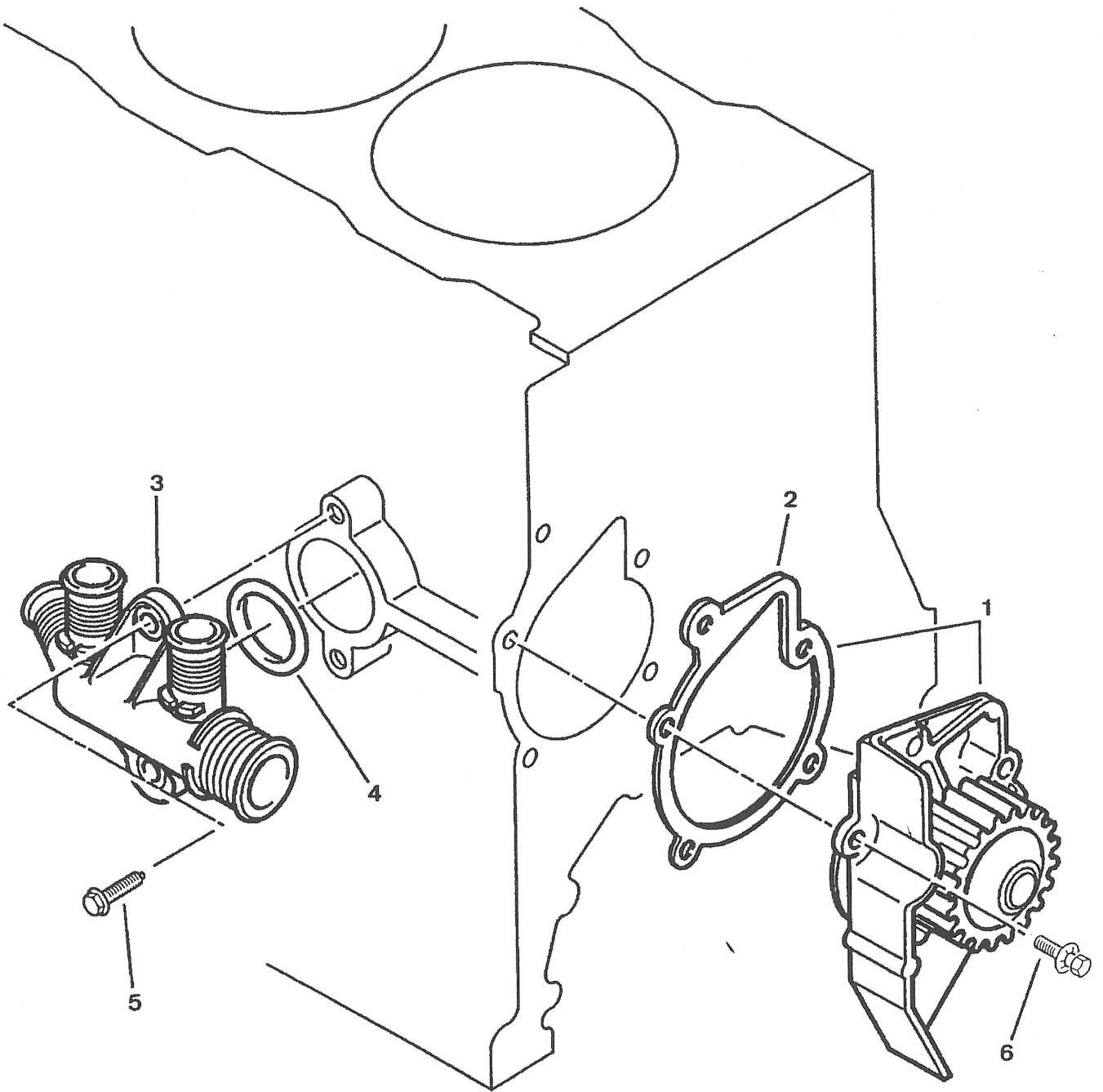




FIG. 020D WATER PUMP (1.9D)

REF. N.º	PART N.º	DESCRIPTION	Q, TY		REMARKS
			C	V	
1	17400-86CA0	WATER PUMP COVER	1	1	
2	17431-86CA0	WATER PUMP GASKET	1	1	
3	17550-86CA0	WATER INLET	1	1	
4	15167-86CA1	O-RING 40,4 x 47,5-3,53	1	1	
5	01570-86CA2	SCREW 8 x 125-30	2	2	
6	11119-86CB0	SCREW 7 x 100-20	5	5	

FIG. 21D

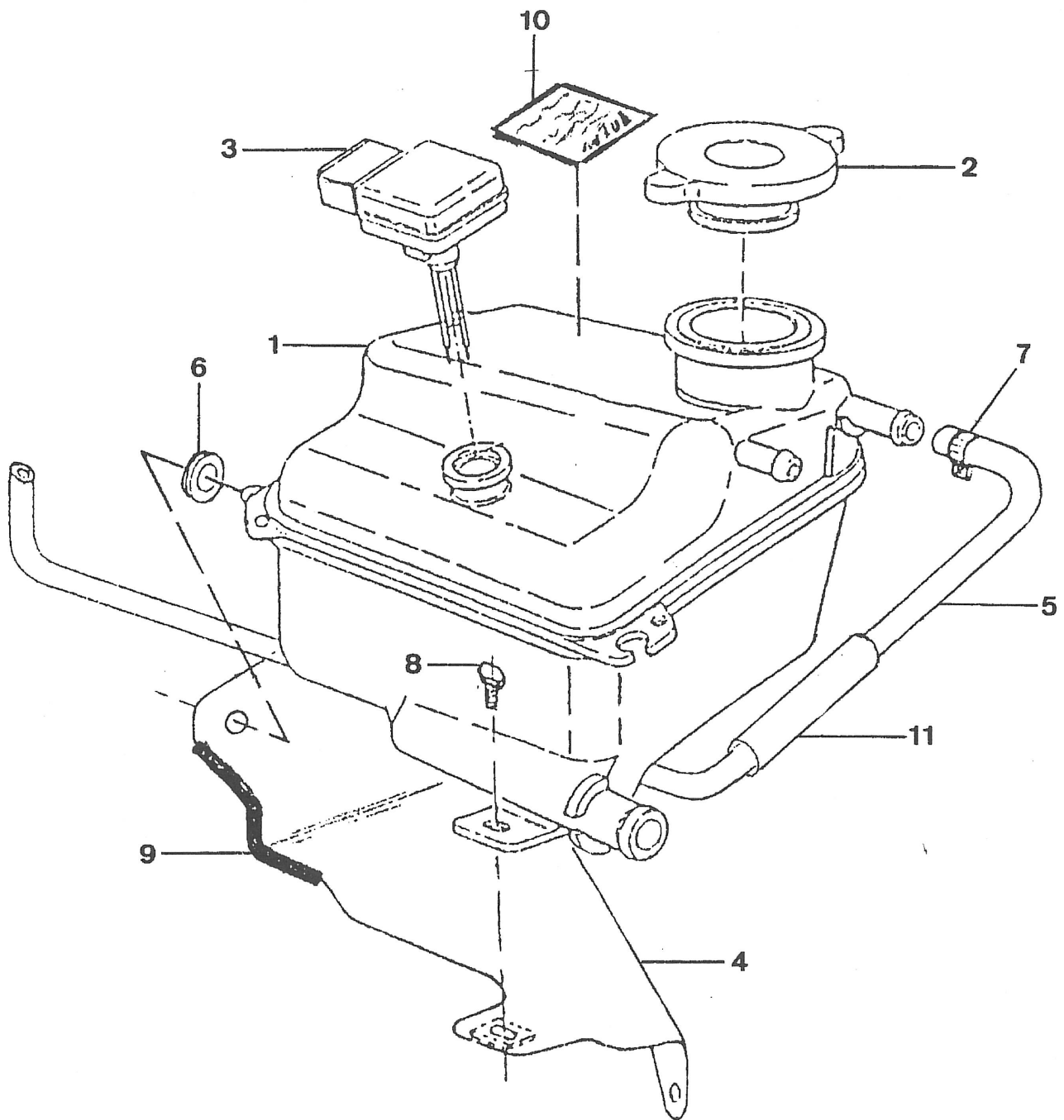


FIG. 021D RADIATOR TANK (1.9D)

REF. N.º	PART N.º	DESCRIPTION	Q, TY.		REMARKS
			C	V	
		USE 17930-86CB1			
1	17930-86CA0	RADIATOR TANK	1	1	
2	17932-86CA0	PRESSURE PLUG	1	1	
3	13650-86CA0	WATER LEVEL SENSOR	1	1	
4	64352-86CA0	BRACKET	1	1	
5	17939-86CA0	HOSE RAD. TO RESERVE	1	1	
6	09308-10004	GROMMET	2	2	
7	15899-85C00	CLAMP	1	1	
8	01550-06123	SCREW	1	1	
9	75956-77E00	PROTECTOR	1	1	
10	17998-82012	LABEL	1	1	
11	17939-86CB0	PROT. RAD. HOSE TO RES.	1	1	

CUANDO TENGA QUE CAMBIAR EL SENSOR  
 ASEGURESE QUE ESTE NO LLEVA UNA PESTALLA  
 INFERIOR POR QUE DE LLEVARLA LA REF. QUE  
 DEBE PEDIR ES. 13650-86CB0 (SAMURAJ-TD)  
 FIG. 40 POS. 12-1



FIG. 021D RADIATOR TANK (1.9D)

REF. N.º	PART N.º	DESCRIPTION	Q, TY		REMARKS
			C	V	
1	17930-86CA0	RADIATOR TANK	1	1	
2	17932-86CA0	PRESSURE PLUG	1	1	
3	13650-86CA0	WATER LEVEL SENSOR	1	1	
4	64352-86CA0	BRACKET	1	1	
5	17939-86CA0	HOSE RAD. TO RESERVE	1	1	
6	09308-10004	GROMMET	2	2	
7	15899-85C00	CLAMP	1	1	
8	01550-06123	SCREW	1	1	
9	75956-77E00	PROTECTOR	1	1	
10	17998-82012	LABEL	1	1	
11	17939-86CB0	PROT. RAD. HOSE TO RES.	1	1	

FIG. 22D

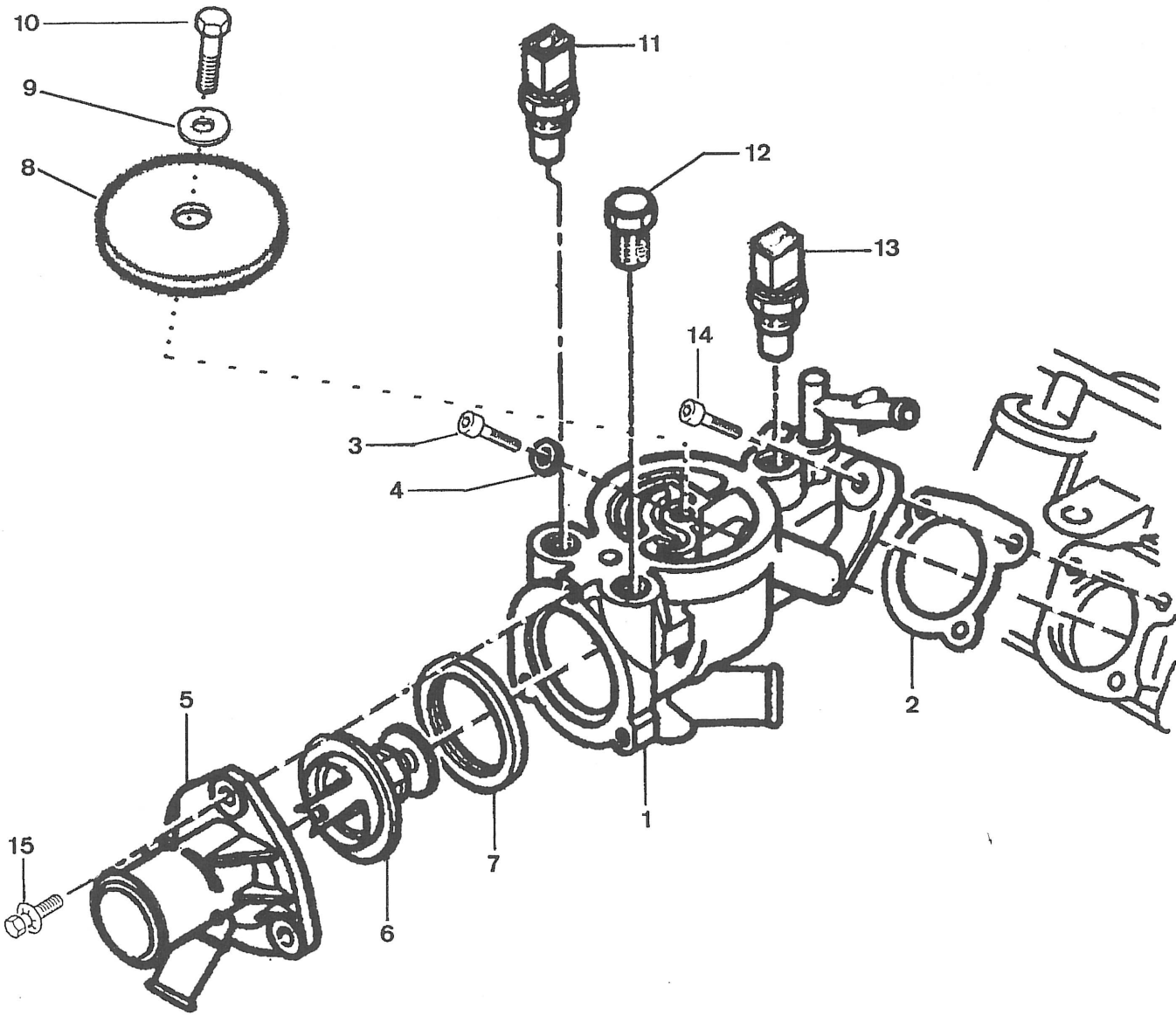


FIG. 022D WATER THERMOSTAT (1.9D)

REF. N.º	PART N.º	DESCRIPTION	Q, TY		REMARKS
			C	V	
1	17569-86CA0	OUTLET BOX	1	1	
2	14181-86CA0	GASKET	1	1	
3	M9103-86CA2	SCREW 7 x 100-80	1	1	
4	15167-86CA4	RING 7 x 13,4-1,6	1	1	
5	17561-86CA1	OUTLET STUB	1	1	
6	17570-86CA0	THERMOSTAT 83º	1	1	
7	11228-86CA6	GASKET	1	1	
8	11120-86CA0	CLOSING PLATE1	1	1	
9	08321-86CA1	SPRING WASHER	1	1	
10	01570-86CA3	SCREW 8 x 125-12	1	1	
11	34850-86CA0	TEMP. SENDING UNIT 110º	1	1	
12	11226-86CA4	PLUG 14 x 125	2	2	
13	13651-86CA0	TEMP. SWITCH	1	1	
14	M9103-86CA3	SCREW 7 x 100-35	2	2	
15	11119-86CB1	SCREW	3	3	

FIG. 23D

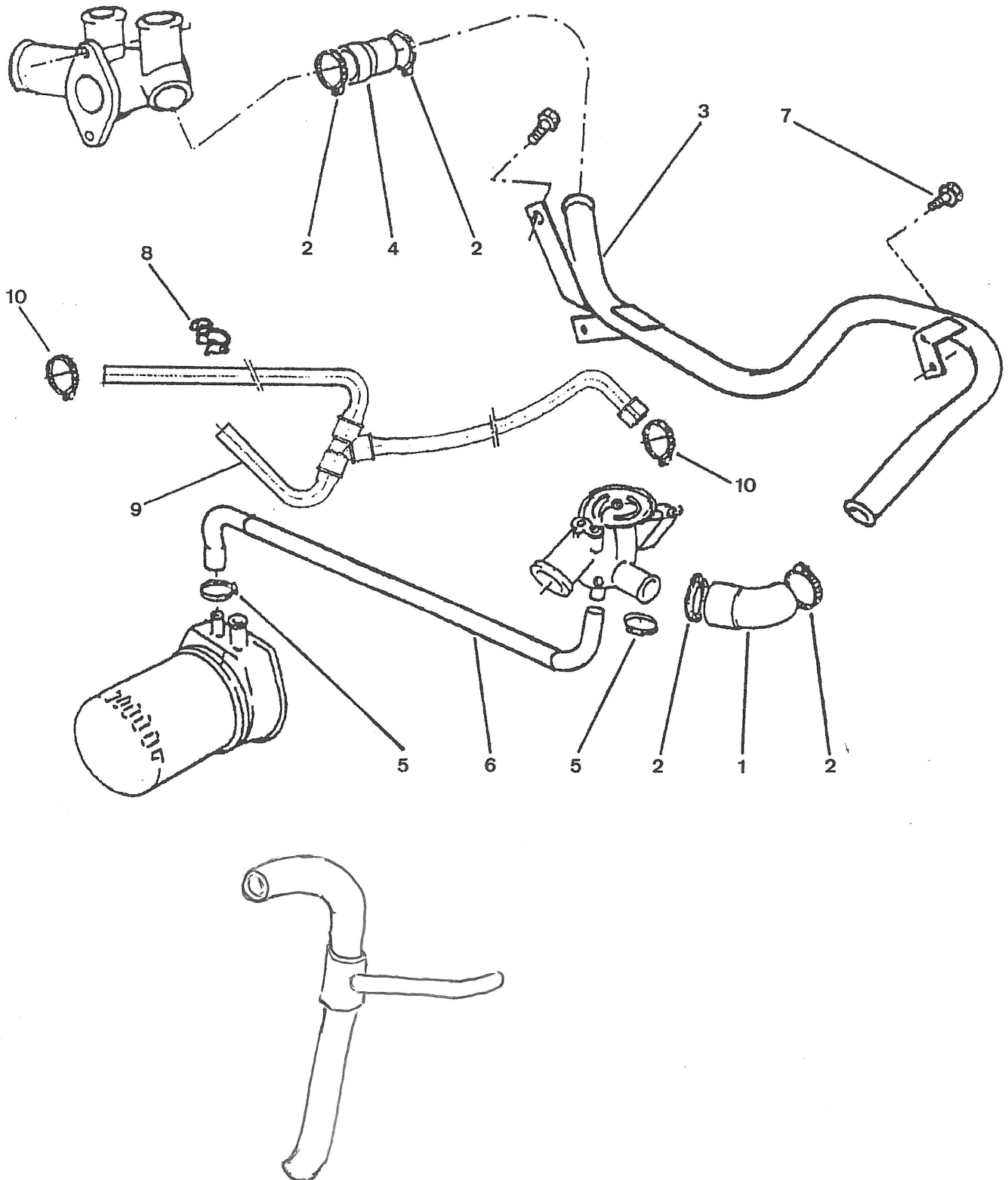






FIG. 24D

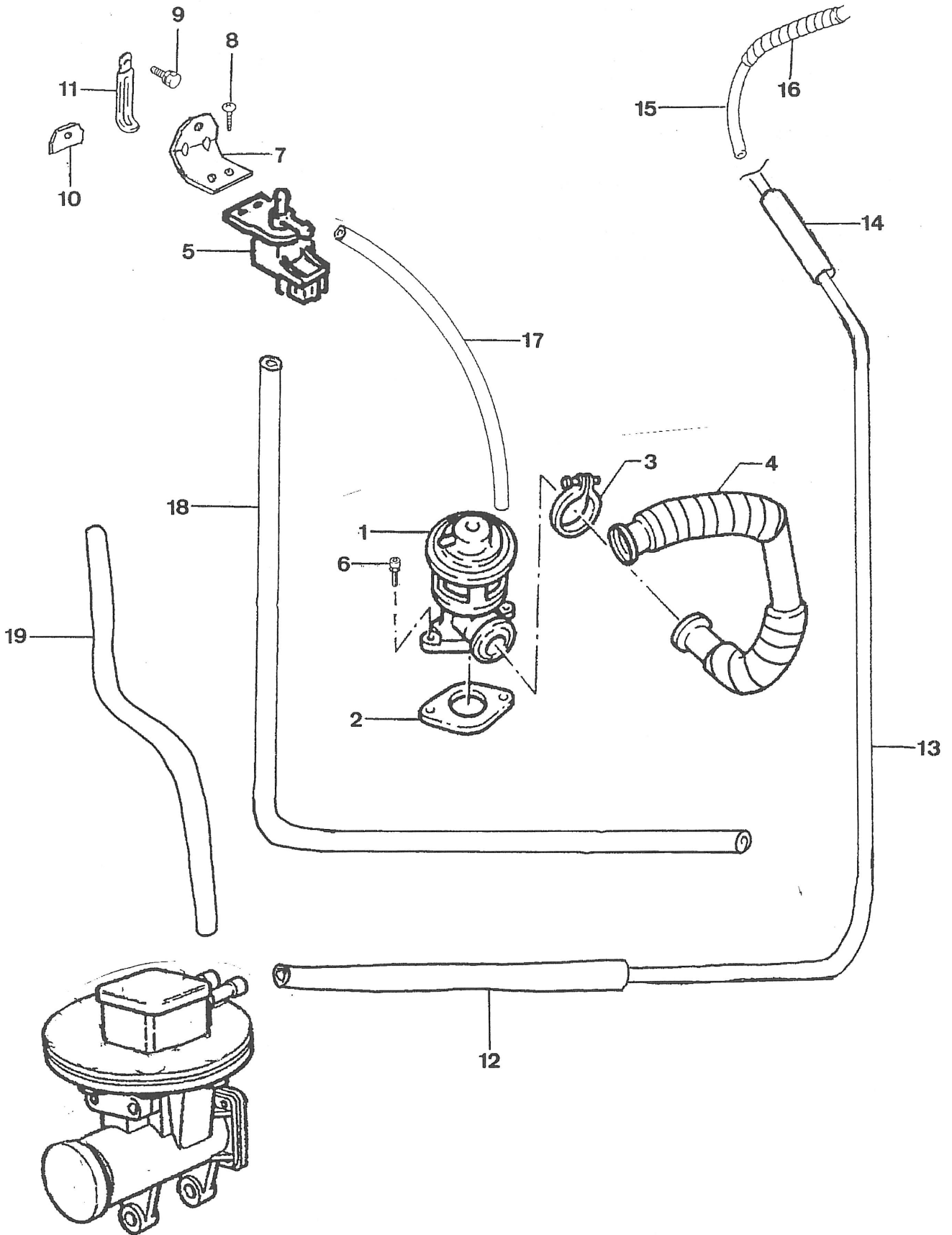


FIG. 024D ENGINE GAS RECIRCULATION (1.9D)

REF. N.º	PART N.º	DESCRIPTION	Q, TY		REMARKS
			C	V	
1	18111-86CA0	E.G.R. VALVE	1	1	
2	18529-86CA0	GASKET	1	1	
3	09400-86CA0	COLLAR	2	2	
4	18471-86CA0	RECYCLING PIPE	1	1	
5	18117-86CA0	SOLENOID VALVE	1	1	
6	11119-86CB2	SCREW 6 x 100-20	2	2	
7	18417-86CA0	BRACKET, SOLENOID VALVE	1	1	
8	02142-05083	SCREW	2	2	
9	01550-06123	SCREW	1	1	
10	11030-86CA0	GASKET	1	1	
11	36990-85C30	CLAMP	1	1	
12	51010-86CA0	HOSE, BRAKE VACUUM INT.	1	1	
13	51380-86CB0	PIPE, BRAKE VACUUM	1	1	
14	51831-86CA0	HOSE, BRAKE VACUUM INT.	1	1	
15	51380-86CA0	PIPE, BRAKE VACUUM	1	1	
16	51020-86CA0	HOSE ASSY, BRAKE VACUUM	1	1	
17	09343-03099	HOSE	1	1	
18	09343-03101	HOSE	1	1	
19	51010-86CB0	HOSE, VACUUM PUMP OUTLET	1	1	

FIG. 25D

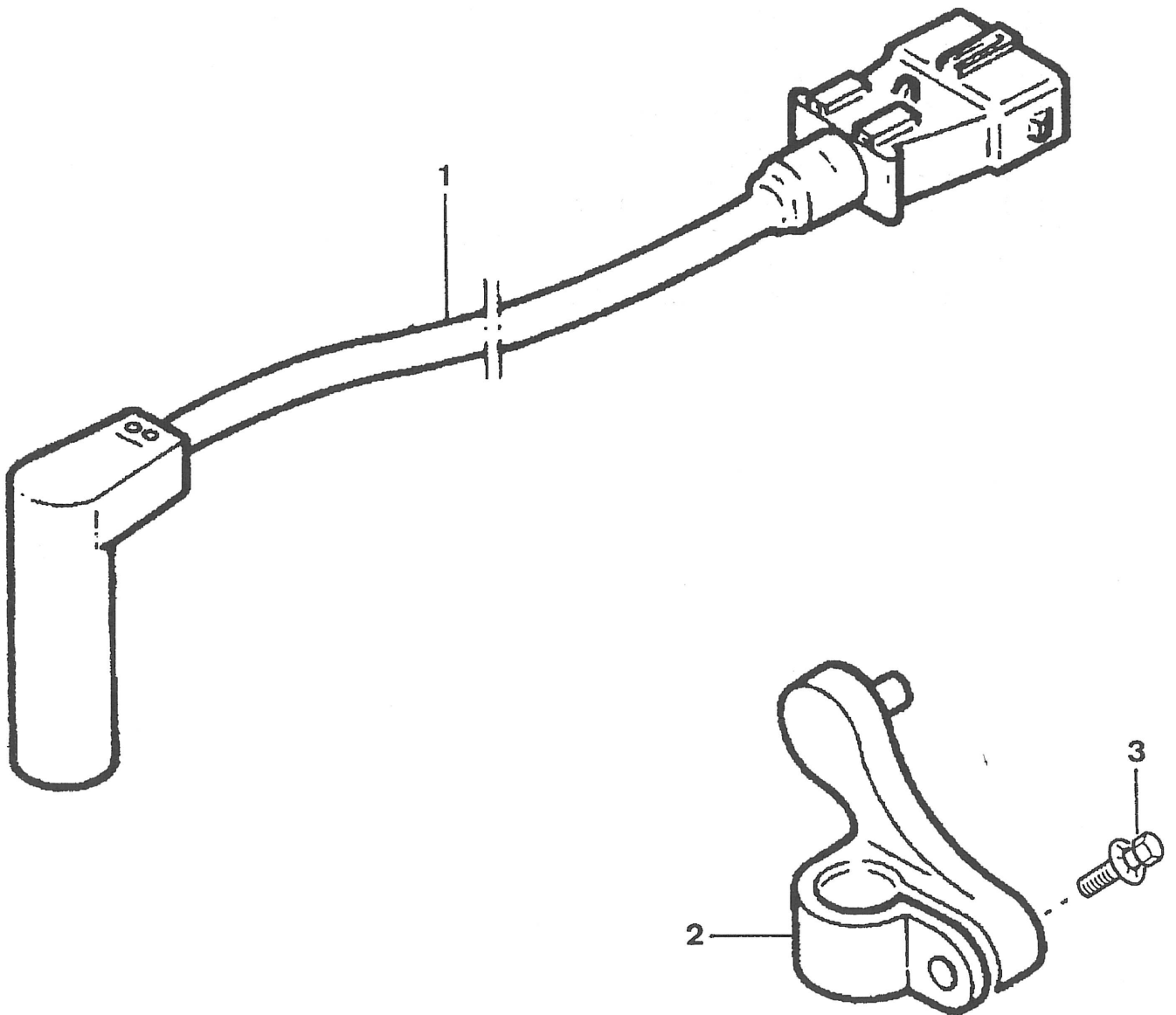


FIG. 025D PROXIMITY SENSOR (1.9D)

REF. N.º	PART N.º	DESCRIPTION	Q, TY		REMARKS
			C	V	
1	18590-86CA0	PROXIMITY SENSOR	1	1	
2	18417-86CA0	SENSOR BRACKET	1	1	
3	11119-86CB3	SCREW 6 x 100-35	1	1	

FIG. 26D

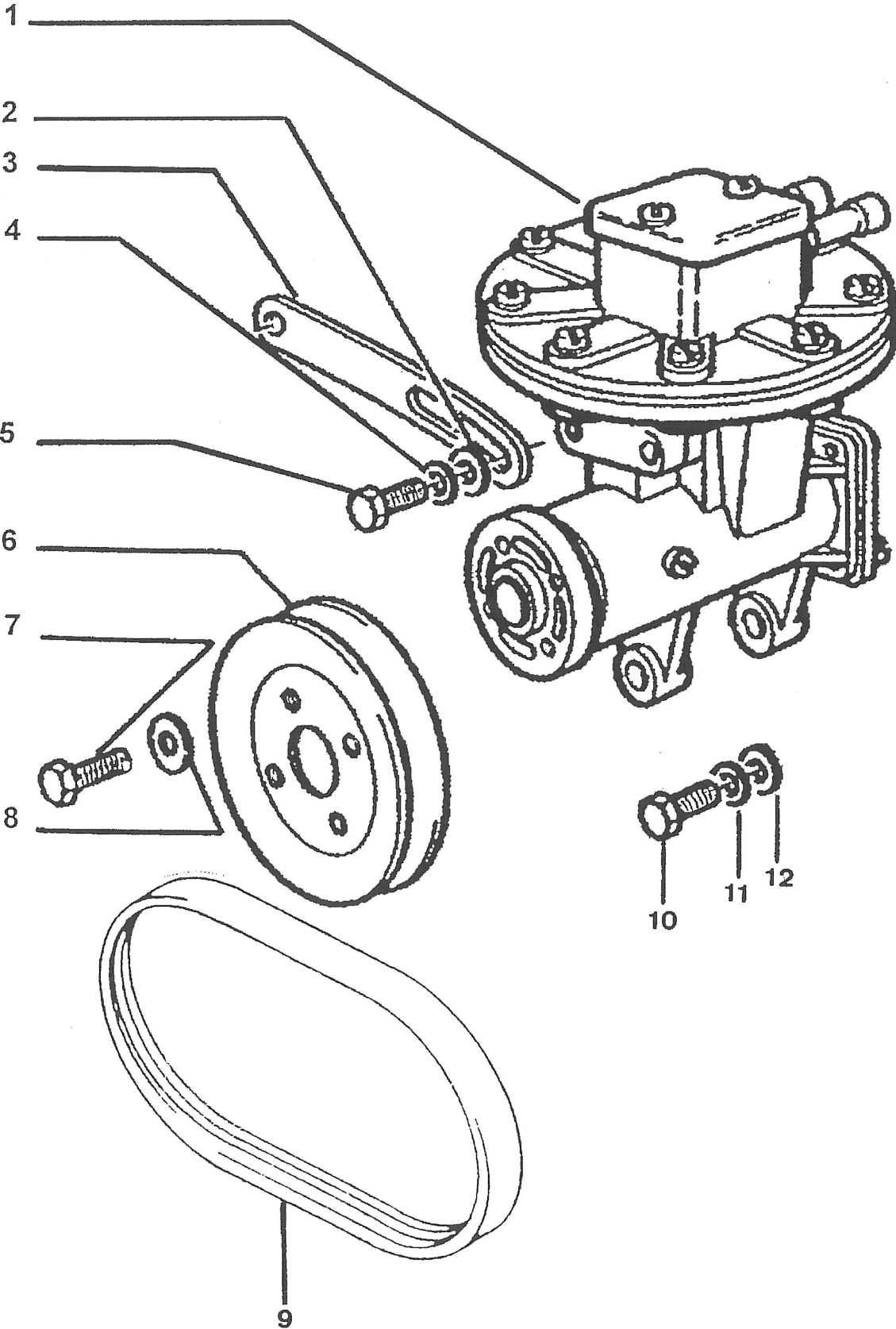


FIG. 026D VACCUM PUMP (1.9D)

REF. N.º	PART N.º	DESCRIPTION	Q, TY		REMARKS
			C	V	
1	11029-86CA0	VACCUM PUMP	1	1	
2	02045-86CA0	PLANE WASHER 8 x 22-2,5	1	1	
3	17921-86CA0	ARM	1	1	
4	02044-86CA0	SPRING WASHER	1	1	
5	01570-86CA6	SCREW 8 x 125-16	1	1	
6	45071-86CA0	VACCUM PUM PULLEY	1	1	
7	00061-86CA0	SCREW 6 x 100-12	4	4	
8	02043-86CA0	SPRING WASHER	4	4	
9	17521-86CA0	BELT	1	1	
10	01550-08253	BOLT	2	2	
11	09159-86CA0	NUT	2	2	
12	02042-86CA0	PLANE WASHER	2	2	

FIG. 27D

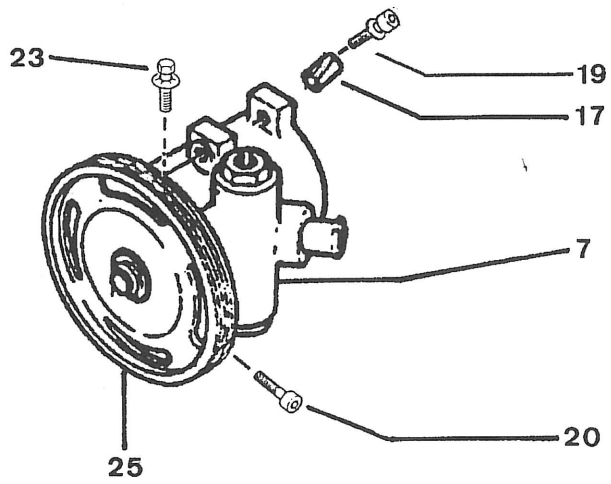
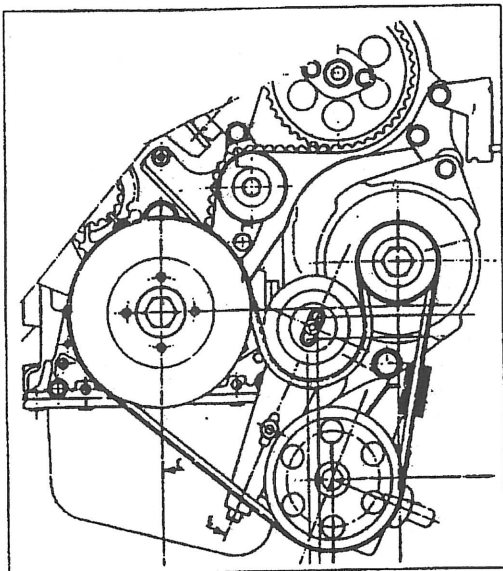
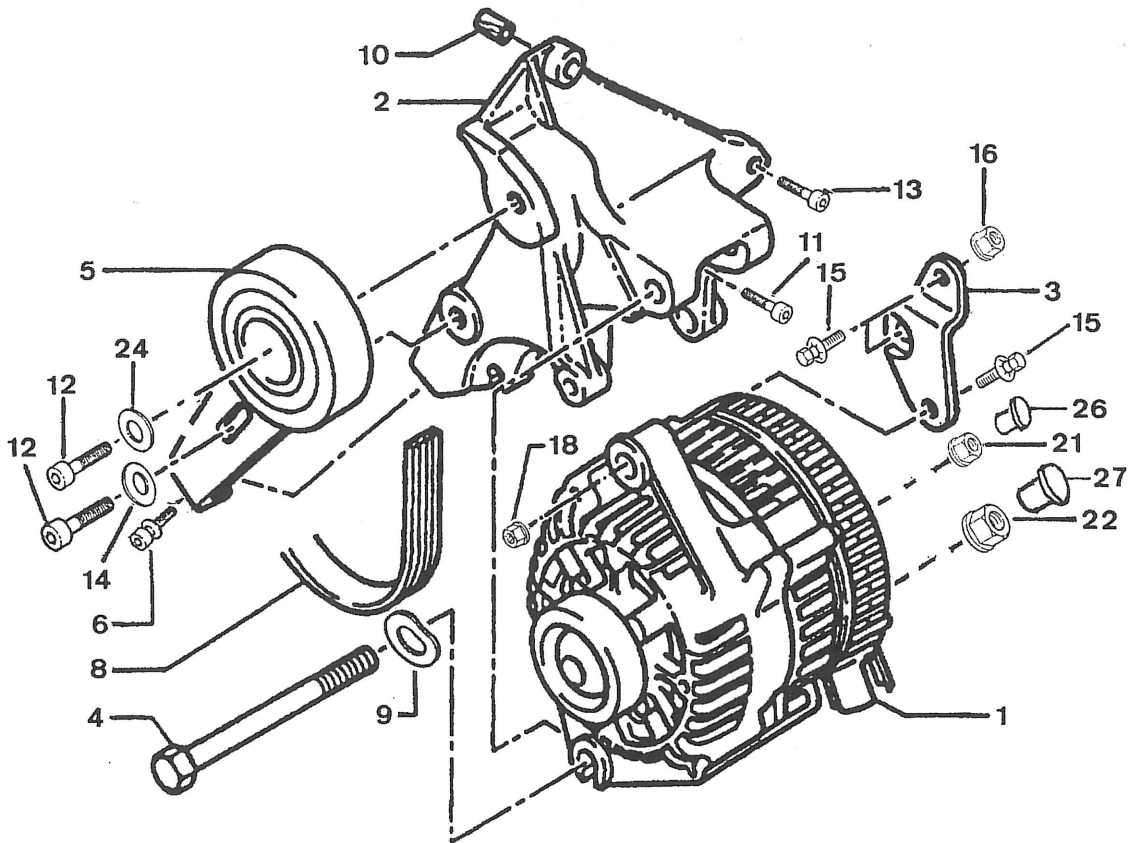




FIG. 027D ALTERN.-POWER STEERING PUMP (1.9D)

REF. N.º	PART N.º	DESCRIPTION	Q, TY		REMARKS
			C	V	
1	31400-86CA0	ALTERNATOR	1	1	
2	35336-86CA0	BRACKET	1	1	
3	35338-86CA0	BRACKET	1	1	
4	00052-86CA0	SCREW 10 x 150-25	1	1	
5	35339-86CA0	ROLLER	1	1	
6	00055-86CA0	ADJUSTING SCREW	1	1	
7	49100-86CA0	PUMP POWERM STEERING	1	1	
8	35340-86CA0	BELT	1	1	
9	02037-86CA0	PLATEWASHER 14 x 29-2	1	1	
10	35337-86CA0	PIN 10 X 10	2	2	
11	00050-86CA0	SCREW 8 x 125-55	1	1	
12	00054-86CA0	SCREW 8 x 125-2 5	2	2	
13	00051-86CA0	SCREW 8 x 125-30	2	2	
14	09160-86CA0	PLATE WASHER 8 x 22	1	1	
15	00053-86CA0	SCREW 8 x 125-30	3	3	
16	04016-86CA0	NUT 8 x 125	3	3	
17	45070-86CA0	PIN 13 x 25	2	2	
18	04017-86CA0	NUT 8 x 125	1	1	
19	00059-86CA0	SCREW 8 x 125-45	1	1	
20	00058-86CA0	AXLE SCREW 8 x 125-22	1	1	
21	08310-00053	NUT 5 x 80	1	1	
22	08310-00083	NUT 8 x 125	1	1	
23	00060-86CA0	SCREW 8 x 125-30	1	1	
24	02038-86CA0	FLAT WASHER 8 x 16	1	1	
25	49100-86CB0	PULLEY	1	1	
26	35332-86CA0	PROTECTOR (M5)	1	1	
27	35333-86CA0	PROTECTOR (M8)	1	1	

FIG. 28D

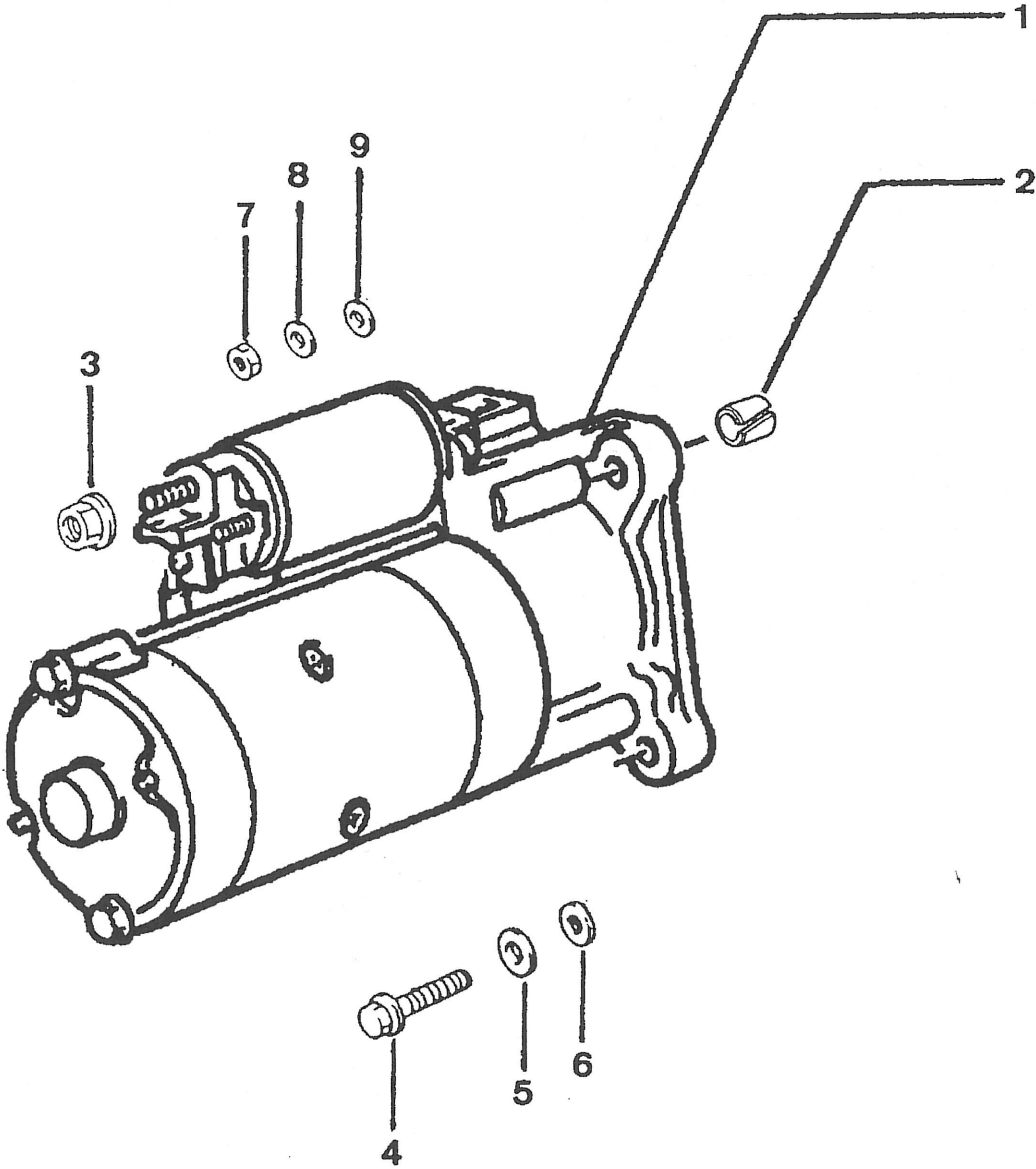


FIG. 028D STARTER (1.9D)

REF N.º	PART N.º	DESCRIPTION	Q, TY		REMARKS
			C	V	
1	31100-86CA0	STARTER	1	1	
2	35341-86CA0	PIN 14 x 15	1	1	
3	08310-00053	NUT	1	1	
4	00049-86CA0	SCREW	3	3	
5	02040-86CA0	WASHER PLAIN	3	3	
6	08321A31103	WASHER SPRING	3	3	
7	08310-00053	NUT STARTING MOTOR	1	1	
8	08321A31053	WASHER SPRING	1	1	
9	08321B31083	WASHER SPRING	1	1	

FIG. 29D

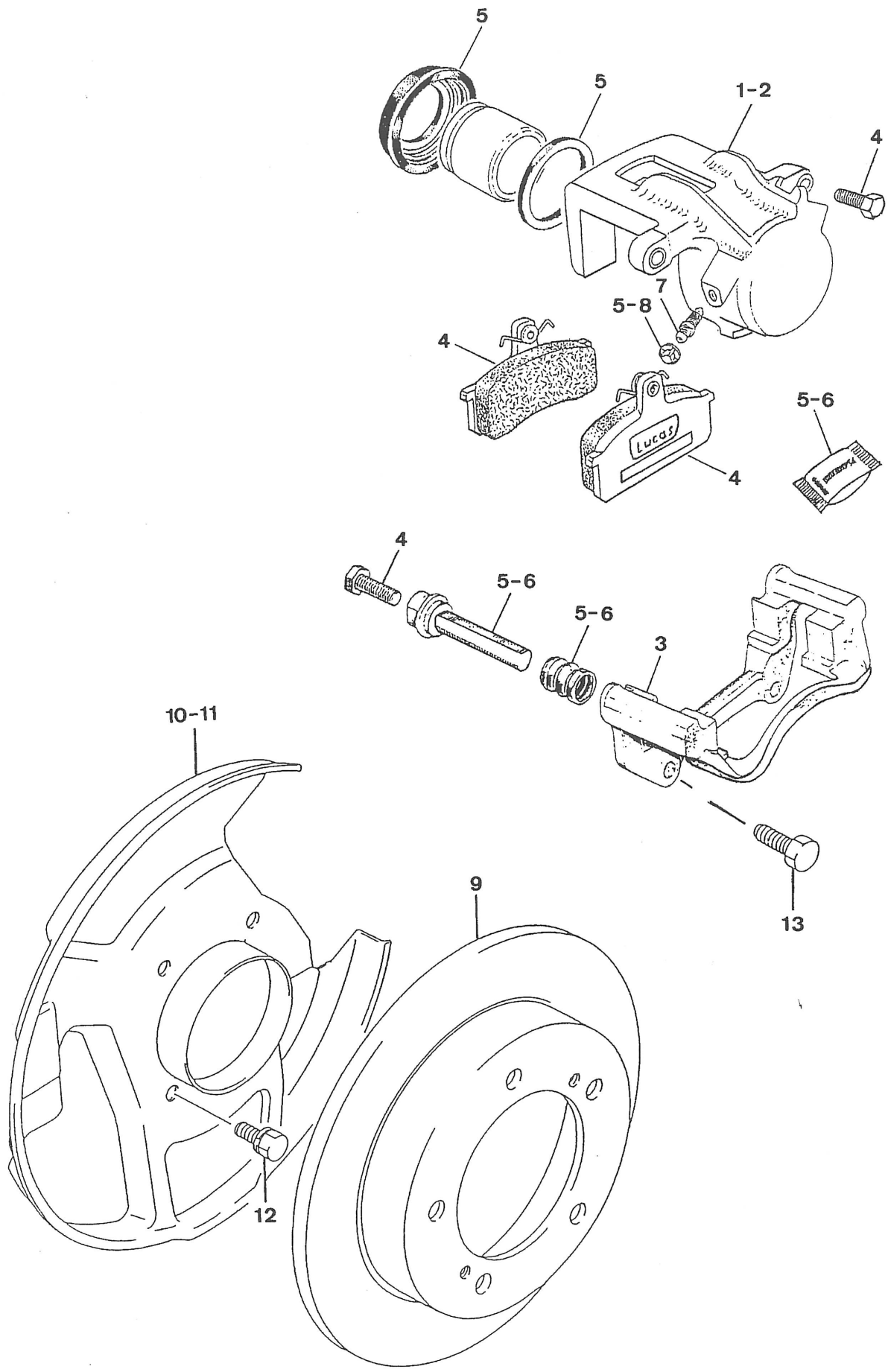


FIG. 029D FRONT BRAKES (1.9D)

REF. N.º	PART N.º	DESCRIPTION	Q, TY		REMARKS
			C	V	
0	55101-85C00	FRONT CALIPER RH	1	1	
	55102-85C00	FRONT CALIPER LH	1	1	
1	00000A01223	HOUSING ASSY LH	1	1	
2	00000A01224	HOUSING ASSY RH	1	1	
3	00000A00905	CARRIER LH, RH	2	2	
4	00000A01225	PAD SET	1	1	
5	00000A01226	SERVICE KIT	1	1	
6	00000A00907	GUIDE PIN KIT	1	1	
7	00000A01227	BLEED SCREW	1	1	
8	00000A01228	DUST CAP	8	8	
9	55211-60A00	DISC, FRONT BRAKE	2	2	
10	55221-85C00	COVER, BRAKE DISC DUST RH	1	1	
11	55222-85C00	COVER, BRAKE DISC DUST LH	1	1	
12	55391-85C00	BOLT, SPINDLE	8	8	
13	09117-12012	BOLT, BRAKE CALIPER	4	4	

FIG. 30D

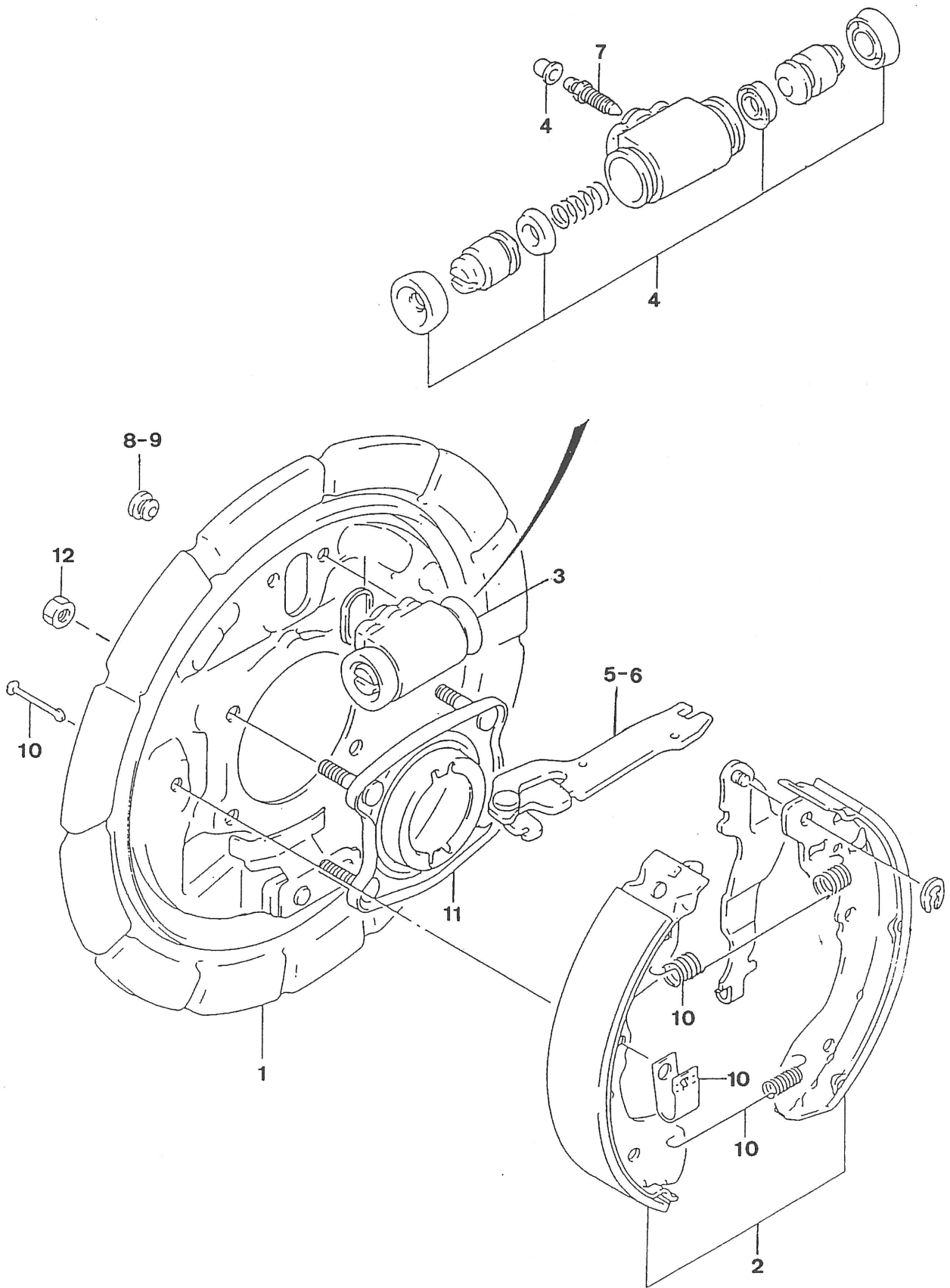


FIG. 030D DRUM BRAKE - REAR AXLE (1.9D)

REF. N.º	PART N.º	DESCRIPTION	Q, TY		REMARKS
			C	V	
0	53001-85C00	BRAKE ASSY RH	1	1	
	53002-85C00	BRAKE ASSY LH	1	1	
1	00000A00724	PLATE LH	1	1	
	00000A00725	PLATE RH	1	1	
2	00000A01220	LINED SHOES AXLE SET	2	2	
3	00000A01221	WHEEL CYLINDER	1	1	
4	00000A01222	HIDRAULIC KIT	1	1	
5	00000A01136	ADJUSTER ASSEMBLY LH	1	1	
6	00000A01137	ADJUSTER ASSEMBLY RH	1	1	
7	00000A00236	BLEED SCREW	1	1	
8	00000A00235	INSPECCION PLUG	1	1	
9	00000A01049	PROTECTIVE PLUG	1	1	
10	00000A01135	STEADY REST KIT	1	1	
11	53820A60A00	RETAINER	2	2	
12	08310-00083	NUT	8	8	

FIG. 31D

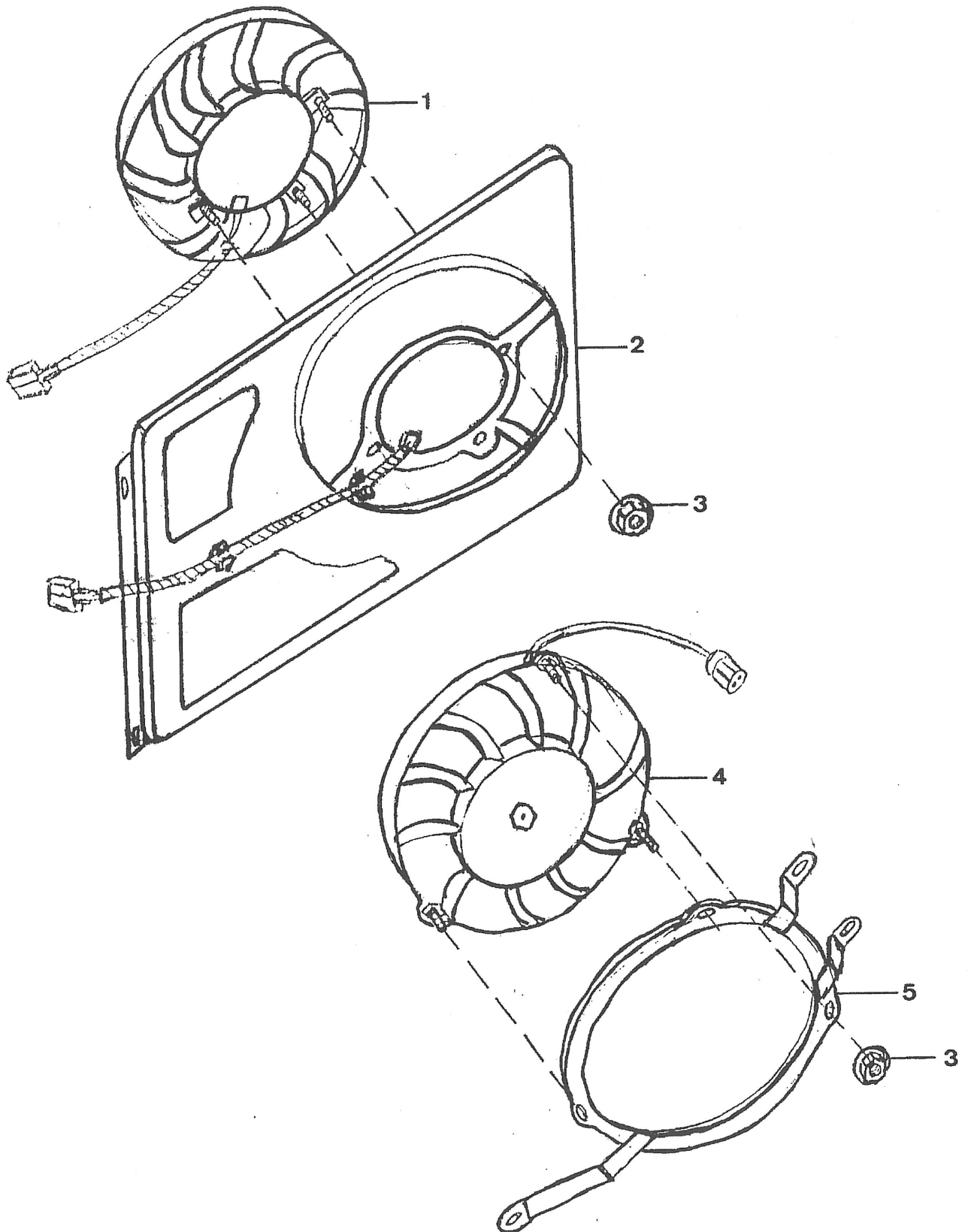




FIG. 031D FAN (1.9D)

REF. N.º	PART N.º	DESCRIPTION	Q, TY		REMARKS
			C	V	
1	17110-86CA0	FAN, ENGINE COOLING	1	1	
2	17761-86CA0	SHROUD, FAN	1	1	
3	08316-10063	NUT	3	3	
4	95320-86CA0	FAN ASSY, FRONT	1	1	
5	95320-86CB0	BRACKET COMP, FAN FRONT	1	1	

FIG. 32D

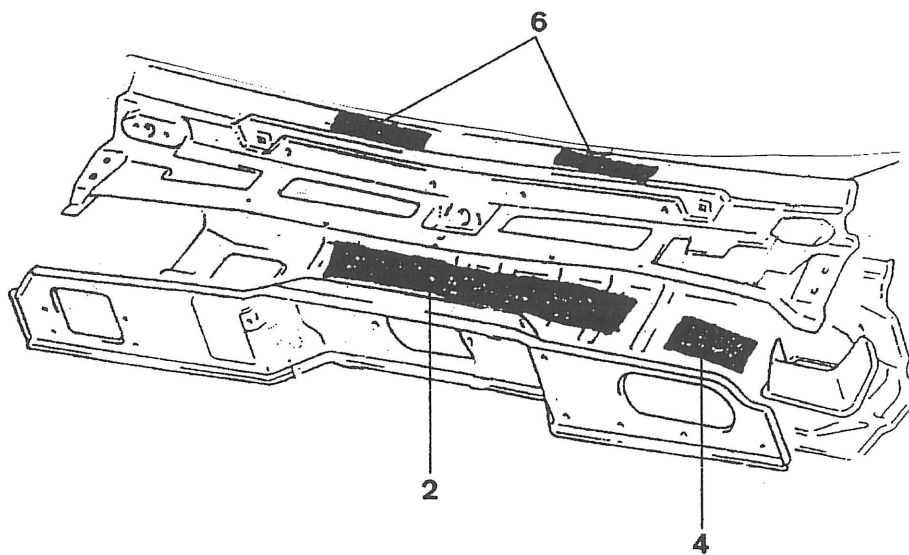
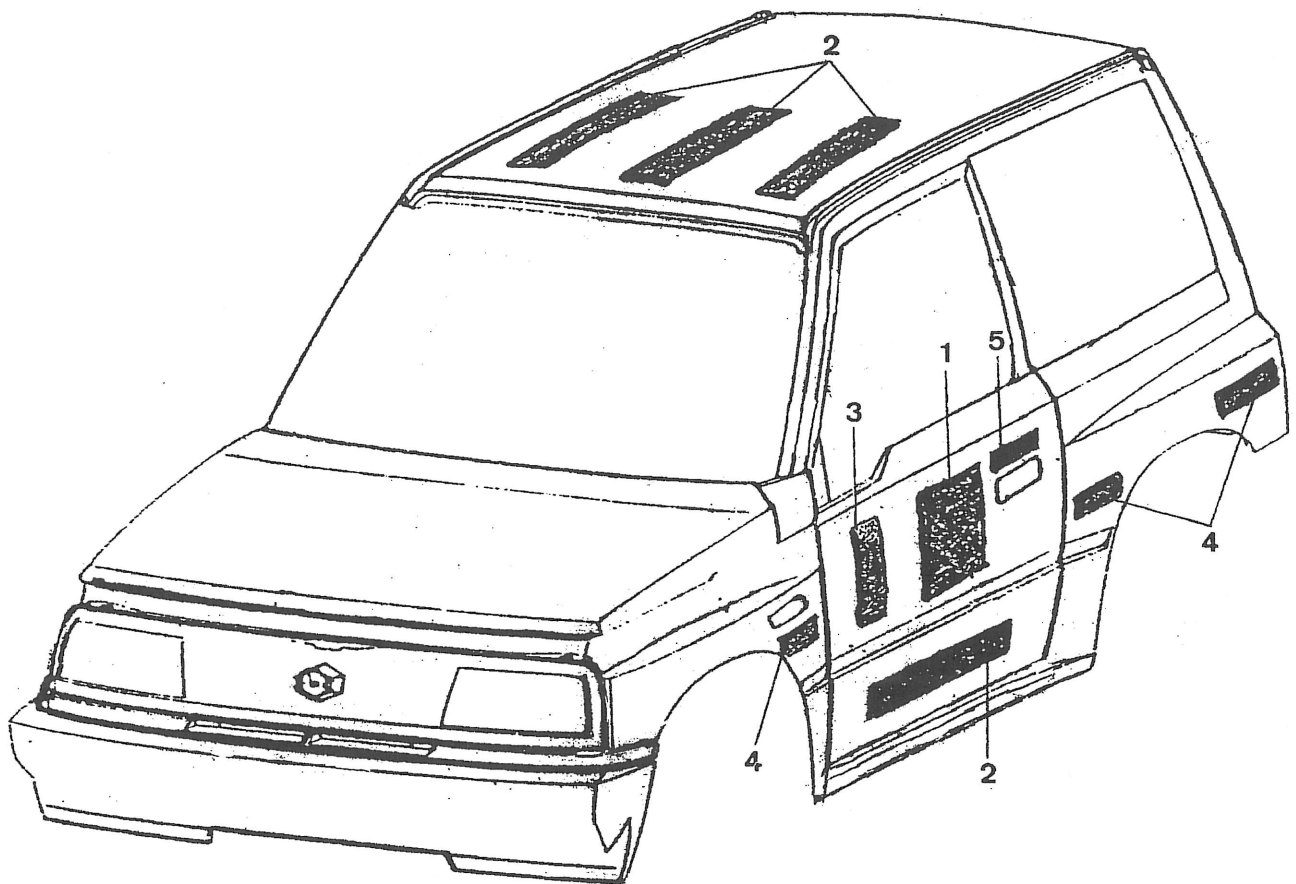


FIG. 032D SILENCER (1.9D)

REF. N.º	PART N.º	DESCRIPTION	Q, TY		REMARKS
			C	V	
1	75310-86CA0	SILENCER, CENTER RH, LH	2	2	
2	75310-86CB0	SILENCER, ROOF	3/6	3/6	
3	75310-86CC0	SILENCER, DOOR FRONT	2	2	
4	75310-86CD0	SILENCER, FENDER	6	6	
5	75310-86CE0	SILENCER, DOOR REAR	2	2	
6	75310-86CF0	SILENCER, COWL PANEL	2	2	





---

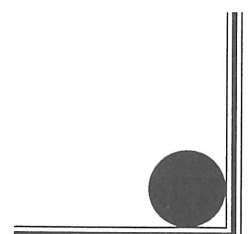
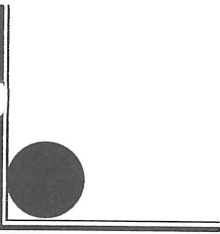
---

# **PARTS NUMBER INDEX**

# **INDICE DE N° DE PIEZAS**

---

---



PART NO.	FIG. NO. - REF. NO.	PART NO.	FIG. NO. - REF. NO.	PART NO.	FIG. NO. - REF. NO.
<b>10000</b>			5 - 9		9 - 17
		11241-73003	5 - 12	11741-57B02	8 - 15
		11260-60A00	5 - 7		9 - 15
		11311-60A10	5 - 14	11741-60A01	7 - 15
		11320-57B00	5 - 15	11755-57B01	8 - 20
11100-57B02	4 - 1	11341-82000	10 - 22		9 - 20
11101-85810	1 - 2		11 - 22	11755-60A01	7 - 20
11110-61A00	3 - 1	11349-85C00	1 - 11	11761-57B00	9 - 26
11112-73001	3 - 2		2 - 11	11761-57B10	8 - 26
	4 - 2		10 - 23	11851-57B02	23 - 8
11115-60B11-001	4 - 3		11 - 23	11851-62B00	42 - 18
11115-82000-001	3 - 3	11360-71C00	15 - 11		44 - 8
11117-71C00	4 - 10	11360-82001	14 - 12	11851-73000	16 - 7
11119-85C00	3 - 7	11383-82000	14 - 14		67 - 19
11141-71C00	1 - 3	11390-60A11	14 - 13	11851-73001	22 - 7
	2 - 2	11390-71C00	15 - 12	11852-57B01	17 - 8
	3 - 6	11394-70B00	14 - 15	11910-57B01	8 - 22
	4 - 9		14 - 16		9 - 22
11161-57B01	4 - 18		15 - 14	11910-85C00	7 - 23
11161A60A00	3 - 15	11396-71C00	14 - 17	11958-85C00	39 - 1
11162-71C00	2 - 6		15 - 15	11959-60E00	39 - 4
	4 - 19	11402-85860	1 - 1	12100-60821-0A0	10 - 7
11170-57B03	4 - 12	11402-85881	2 - 1	12100-60821-025	10 - 7
11170-61X50	3 - 9	11480-71C00	15 - 13	12100-71820-0A0	11 - 1
11178-71C00	4 - 14	11510-60A01	6 - 1	12100-71820-0B0	11 - 1
11179-71C01	4 - 15	11610-58B01	7 - 1	12100-71820-025	11 - 1
11180-82010	3 - 11		8 - 1	12100-71820-050	11 - 1
11189-71C00	2 - 3		9 - 1	12100-85810-0A0	11 - 7
	4 - 13	11641-56B02	7 - 4	12100-85810-025	11 - 7
11189-85C00	1 - 4		8 - 4	12111-85C00-0A0	10 - 1
	3 - 10		9 - 4	12111-85C00-0B0	10 - 1
11191-58B00	4 - 22	11651-57B00	7 - 6	12111-85C00-025	10 - 1
11194-80C00	16 - 30		8 - 6	12111-85C00-050	10 - 1
11195-85C00	16 - 21		9 - 6	12140-60A50	10 - 2
	17 - 26	11661-56B00	7 - 9		11 - 4
11196-85C00	4 - 23		8 - 9	12140-60A50-025	10 - 2
	16 - 22		9 - 9		11 - 4
	35 - 17	11661-57B00	7 - 10	12140-60A50-050	10 - 2
	36 - 15		8 - 10		11 - 4
	38 - 44		9 - 10	12151-85C00	10 - 3
11198-58B00	17 - 24	11710-85C00	7 - 12		11 - 2
11200-60A04	5 - 1		8 - 12	12153-85C00	10 - 4
11221-60A00	5 - 8		9 - 12		11 - 3
11229-60A00	1 - 8	11730-58B21	7 - 17	12160-71C10	10 - 5
	2 - 8		8 - 17		11 - 5

PART NO.	FIG. NO. - REF. NO.	PART NO.	FIG. NO. - REF. NO.	PART NO.	FIG. NO. - REF. NO.
12221-71C10	10 - 8	12810-82003	14 - 5		19 - 1
	11 - 8	12821-60A01	14 - 6	13400-58B10	17 - 14
12300-85810	10 - 10	12821-71C00	15 - 6		19 - 1
	11 - 10	12822-70C00	15 - 7	13403-56B00	18 - 25
12300-85810-012	10 - 10	12825-71C00	15 - 8	13416-58B00	19 - 5
	11 - 10	12830-60A00	14 - 7	13420-56B00	18 - 16
12300-85820-0AA	10 - 9	12841-60A01	12 - 6	13420-58B00	19 - 2
	11 - 9	12841-71C00	13 - 6	13421-58B00	2 - 13
12300-85820-0BA	10 - 9	12842-32411	13 - 9		17 - 15
	11 - 9	12843-32400	13 - 12	13421-85C00	1 - 13
12300-85820-0CA	10 - 9	12844-71C01	13 - 7		16 - 9
	11 - 9	12845-71C01	13 - 8	13428-58B00	18 - 17
12300-85820-0DA	10 - 9	12846-61D00	13 - 10		19 - 3
	11 - 9	12848-85C00	12 - 7	13431-61A00	18 - 3
12300-85820-0EA	10 - 9	12849-71C01	13 - 11	13432-61A00	18 - 5
	11 - 9	12849-85C00	12 - 8	13439-61A00	18 - 4
12340-85C00-0A0	10 - 9	12860-71C00	13 - 3	13441-56B00	18 - 8
	11 - 9	12860-85C00	12 - 3	13441-61A00	18 - 14
12340-85C00-0B0	10 - 9	12870-85C00	12 - 4	13442-61A00	18 - 18
	11 - 9	12891-71C00	13 - 13	13443-61A00	18 - 21
12340-85C00-0C0	10 - 9	12891-82001	12 - 9	13444-61A00	18 - 22
	11 - 9	12911-60A10	12 - 10	13445-61A00	18 - 20
12340-85C00-0D0	10 - 9	12911-71C00	13 - 14	13471-58B00	17 - 42
	11 - 9	12915-60A00	12 - 11	13491-56B00	18 - 23
12340-85C00-0E0	10 - 9	12915-71C50	13 - 15	13491-58B00	17 - 29
	11 - 9	12921-71C01	13 - 16	13492-56B01	16 - 11
12610-71C11	10 - 12	12921-85C00	12 - 12	13494-58B00	17 - 31
	11 - 12	12931-71C10	13 - 17	13620-56B01	16 - 23
12619-53B01	11 - 13	12931-85C00	12 - 13	13620-57B01	17 - 33
12619-85C00	10 - 14	12932-24400	13 - 18	13626-58B00	17 - 20
12620-85C00	10 - 18	12932-82000	12 - 14	13627-58B00	17 - 21
	11 - 18	12933-71C00	13 - 19	13650-56B00	16 - 13
12623-60A00	10 - 20	12933-73000	12 - 15	13650-57F00	17 - 27
	11 - 20	13110-58B01	16 - 1	13650-61B00	16 - 15
12631-53B00	11 - 16		17 - 1	13687-72B00	18 - 13
12631-86500	10 - 16	13119-57B00	2 - 4	13700-58B00	21 - 1
12635-78401	10 - 17		17 - 2	13700-61A01	20 - 1
	11 - 17	13119-85C00	1 - 5	13760-56B01	20 - 33
12710-56B11	12 - 1		16 - 2		21 - 29
12710-58B00	13 - 1	13122-58B00	2 - 14	13761-58B00	21 - 35
12741-53B01	15 - 1		17 - 10	13765-56B01	20 - 34
12741-60A01	14 - 1	13140-58B00	17 - 9		1 - 30
12761-71C00	15 - 4	13400-56B30	16 - 8	13766-56B00	20 - 35
12761-85C00	14 - 4		18 - 1		21 - 31
12810-71C02	15 - 5	13400-58B00	17 - 14	13767-56B00	20 - 36

PART NO.	FIG. NO. - REF. NO.	PART NO.	FIG. NO. - REF. NO.	PART NO.	FIG. NO. - REF. NO.
13780-58B00	21 - 32 21 - 2	14111-58B01	23 - 1	15100-57B10	29 - 1
13780-61A00	20 - 2	14111-58B20	22 - 1	15100-61A02	27 - 1
13800-58B00	21 - 5	14120-58B01	23 - 9		28 - 1
13809-58B00	21 - 6	14120-58B20	22 - 8	15111-61A00	27 - 2
		14130-58B00	23 - 10		28 - 2
13813-58BT0	21 - 3	14131-58B20	22 - 9		29 - 2
13813-61AT0	20 - 4	14140-58B01	2 - 5	15160-56B00	18 - 11
13814-61A00	20 - 32		23 - 2	15160-58B00	30 - 7
13814-85C00	37 - 5	14140-60A00	22 - 2	15167-61A00	18 - 12
	38 - 9	14140-85C00	1 - 6	15329-85C00	27 - 3
				<del>15200-86A00</del> 13D	
13815-85C00	37 - 7	14182-58B10	24 - 11		28 - 3
	38 - 11		25 - 11		29 - 3
13817-82000	37 - 6		26 - 11		190 - 28
	38 - 10	14183-58B02	24 - 2		191 - 28
13820-56B00	20 - 29		25 - 2	15410-61A00	27 - 4
13820-56B40	21 - 24		26 - 2		28 - 4
13829-56B01	20 - 30	14190-58B01	24 - 1		29 - 4
	21 - 25		25 - 1	15710-09300	27 - 21
13830-56B00	20 - 12		26 - 1	15710-56B00	18 - 2
13830-58B11	21 - 17	14250-58B20	24 - 6	15710-58B00	30 - 8
13840-56B00	20 - 13		25 - 6	15716-58BT0	30 - 9
13845-56B00	20 - 15		26 - 6	15731-57B00	30 - 1
13850-56B00	20 - 16	14270-58B00	22 - 14	15735-58B00	30 - 10
13850-58B01	21 - 21		23 - 15	15750-82400	30 - 5
13850-61A02	20 - 26	14281-58B00	24 - 14	15762-61B00	30 - 4
13861-61A01	20 - 24		25 - 14	15763-61B00	30 - 6
13871-56B00	20 - 7		26 - 14	15810-57B00	29 - 14
13871-58B00	21 - 9	14281-71C00	24 - 7	15810-61A01	27 - 12
13872-57B00	21 - 14		25 - 7		28 - 12
13873-57B00	21 - 11		26 - 7	15820-57B01	29 - 6
13879-81050	20 - 20	14281-78010	24 - 13	15820-61A22	27 - 6
13880-61A00	20 - 9		25 - 13		28 - 6
13881-58B00	21 - 15		26 - 13	15830-58B00	28 - 20
13882-58B00	21 - 19	14300-58B10	24 - 10		29 - 22
13887-58B00	21 - 27		25 - 10	15830-61A00	27 - 20
13891-61A00	20 - 10	14300-58B51	26 - 10	15840-61A01	27 - 17
13923-85551	27 - 13	14492-85C00	24 - 3		28 - 17
	28 - 13		25 - 3		29 - 19
	29 - 15		26 - 3	15850-57B01	28 - 23
13925-85553	27 - 14	14493-85C00	24 - 5		29 - 25
	27 - 19		25 - 5	15850-77X50	27 - 26
	28 - 14		26 - 5		28 - 21
	28 - 19	14494-85C00	24 - 12		29 - 23
	29 - 16		25 - 12	15861-57B00	29 - 7
	29 - 21		26 - 12	15861-60A20	27 - 7



PART NO.	FIG. NO. - REF. NO.	PART NO.	FIG. NO. - REF. NO.	PART NO.	FIG. NO. - REF. NO.
15870-61A00	28 - 7	17511-57B00	32 - 2	17860-60A10	35 - 7
15892-60A00	27 - 25	17511-61A00	32 - 6	17871-57B02	36 - 7
	27 - 9	17521-61A00	32 - 6	17871-85C00	36 - 13
	28 - 9	17521-85C00	32 - 7	17872-85C00	35 - 15
	29 - 9		105 - 15		35 - 16
15893-56B00	29 - 12	17550-58B00	106 - 15	17879-85C00	36 - 14
15893-60A00	27 - 10	17550-60A20	36 - 4		16 - 12
	28 - 10	17561-58B00	35 - 4		35 - 14
	29 - 10	17561-73000	36 - 2	17911-56B00	36 - 21
15893-67B00	27 - 8		35 - 2		68 - 8
	28 - 8	17568-50F00	27 - 15	17911-71C01	69 - 8
	29 - 8		28 - 15	17920-66F00	34 - 2
15895-56B00	29 - 13		29 - 17		34 - 2
15895-60A00	27 - 11	17570-57B00	36 - 17	17920-85C00	33 - 2
	28 - 11	17600-60823	36 - 1		34 - 2
	29 - 11	17670-85C00	35 - 1	17921-56B00	68 - 11
15899-85C00	27 - 27		36 - 1	17921-57B00	69 - 11
	28 - 22	17699-60B02	2 - 7	17926-56B00	68 - 14
	29 - 24		36 - 18		69 - 14
15910-57B02	17 - 19	17700-56B11	34 - 1	17931-58B00	34 - 9
15910-57B11	17 - 19	17700-60A12	34 - 1	17931-60A10	33 - 9
15910-61A02	16 - 26	17700-85C01	33 - 1	17932-60A00	33 - 10
15910-85C20	16 - 26		34 - 1	17932-60A10	34 - 10
15918-58B00	17 - 38	17700-85C10	34 - 1	17933-60B00	33 - 11
15919-57B11	17 - 36	17751-61A00	34 - 3		34 - 11
15919-58B10	17 - 41		34 - 3	17937-60A11	33 - 16
15991-61A02	16 - 27	17751-85C00	34 - 3	17938-58B00	34 - 13
15991-83000	16 - 28	17759-72010	34 - 4	17938-58B20	33 - 14
16100-85C00	31 - 1		34 - 4	17539-58B00	34 - 15
16119-85C00	1 - 9	17759-85C00	33 - 4	17998-82012	39 - 2
	2 - 9		34 - 4	18111-56B00	37 - 1
	31 - 8	17761-56B00	34 - 7	18111-58B40	38 - 5
16130-60A00	31 - 2	17761-60A01	33 - 7	18112-55A00	38 - 8
16150-60A00	31 - 4		34 - 7	18112-60B00	37 - 4
16510-85C00	5 - 13	17812-82000	33 - 6	18117-56B00	18 - 7
16520-60A00	6 - 7		34 - 6	18117-56B10	37 - 45
16910-85C00	6 - 10	17841-58B10	36 - 9	18117-58B00	38 - 37
16920-60A00	3 - 14	17841-85C00	35 - 9	18117-58B10	38 - 35
16920-86502	4 - 17	17851-56B01	36 - 10	18117-58B20	38 - 1
16930-82001	6 - 11	17851-85C00	35 - 10	18117-61A00	37 - 10
17110-60A00	32 - 11		36 - 10	18118-58B00	17 - 23
17120-57B00	32 - 8	17852-85C00	35 - 11	18118-80010	16 - 18
17400-60813	32 - 1		36 - 11	18119-85C00	37 - 29
17431-85C00	1 - 10	17859-58B00	36 - 20	18119-85C10	37 - 38
	2 - 10	17859-85C00	35 - 13		38 - 30

PART NO.	FIG. NO. - REF. NO.	PART NO.	FIG. NO. - REF. NO.	PART NO.	FIG. NO. - REF. NO.
18119-85C20	37 - 39	21915-85C10	65 - 10		66 - 30
18119-85C30	7 - 28	21915-85C30	41 - 22	21945-85C10	63 - 24
	37 - 40	21915-85C40	41 - 17	21945-85C20	41 - 55
	38 - 32		41 - 20	21945-85C30	43 - 11
18119-85C40	37 - 22	21915-85C50	65 - 23	21947-85C10	43 - 19
18119-85C50	20 - 19		65 - 28	21947-85C30	41 - 36
18138-58B00	19 - 4	21915-85C60	65 - 2	21947-85C40	42 - 14
18139-58B00	38 - 38	21921-85C00	41 - 29		67 - 12
18141-58B00	38 - 40	21925-85C00	61 - 5	21947-85C50	42 - 15
18142-58B00	38 - 41		63 - 6		62 - 4
18145-58B00	38 - 42	21925-85C30	61 - 6		67 - 13
18213-56B00	22 - 18		63 - 5		95 - 4
18213-58B20	23 - 19	21925-85C60	61 - 23	21947-85C60	43 - 40
18214-57B00	23 - 20		63 - 25	21947-85C70	62 - 2
18214-58B20	22 - 19	21931-85C00	43 - 24		95 - 3
18340-57B01	38 - 14	21931-85C10	43 - 23	21947-85C80	67 - 14
18412-56B00	37 - 9	21931-85C20	62 - 7	22100-57B10-R	40 - 1
18417-61A00	37 - 14	21931-85C30	66 - 31	22400-57B10-R	40 - 3
18471-65B00	38 - 13	21933-85C00	41 - 32	22611-61A02	44 - 3
18529-85C00	37 - 2	21933-85C10	41 - 12	22620-57B00	44 - 4
	38 - 6	21933-85C20	65 - 35	22631-61A00	44 - 5
18560-61A00	37 - 32	21933-85C30	41 - 5	22641-61A01	46 - 17
	38 - 24		41 - 14	22700-77EA0	44 - 2
18568-56B01	7 - 27		41 - 28	22800-57B00	49 - 1
	8 - 29	21933-85C40	65 - 19	22820-57B00	49 - 3
	9 - 29	21933-85C50	65 - 25	22860-57BT0	49 - 5
18590-80C20	37 - 18	21933-85C60	41 - 60	22910-57B01	48 - 4
		21933-85C70	65 - 4	22920-57B01	48 - 5
		21933-85C80	41 - 4	22935-61A00	48 - 15
		21933-85C90	41 - 9	22940-57B01	47 - 7
		21935-85C00	57 - 5	22951-57B01	47 - 9
			66 - 22	23260-60A00	40 - 5
<b>20000</b>		21935-85C10	43 - 31	23264-60A00	40 - 7
		21941-85C00	61 - 32	23264-60A20	40 - 8
		21941-85C10	61 - 21	23265-70C00	40 - 4
20022-00000	61 - 2		63 - 22	23266-60A00	40 - 10
20026-00000	63 - 2	21941-85C20	63 - 10	23269-60A00	40 - 9
	64 - 2	21941-85C30	61 - 10	23710-57B01	40 - 14
21000-57B10	44 - 1	21941-85C40	66 - 14	23710-57B11	40 - 14
21341-77E00	42 - 8	21941-85C50	43 - 42	23710-60A01	40 - 14
21911-85C00	41 - 3		66 - 29	23710-60A11	40 - 14
21911-85C10	41 - 27	21941-85C60	61 - 12	23710A60A11	40 - 14
21911-85C20	41 - 8	21943-85C00	63 - 12	23910-56B10	40 - 20
21911-85C30	65 - 3		64 - 12	23911-56B00	40 - 20
21915-85C00	41 - 2	21945-85C00	43 - 43	23915-57B01	40 - 22

PART NO.	FIG. NO. - REF. NO.	PART NO.	FIG. NO. - REF. NO.	PART NO.	FIG. NO. - REF. NO.
23915-60A20	40 - 22	24712-57B00	46 - 1	24952-57B01	53 - 20
23916-60A00	40 - 24	24731-57B10	58 - 16	24961-57BTO	50 - 19
24100-57B00	50 - 2	24732-57B10	47 - 12	24962-57BTO	53 - 24
24110-85C00	41 - 1	24733-57B00	47 - 20	24963-57BTO	50 - 1
24111-57BTO	50 - 4	24735-57B00	47 - 24	24964-57BTO	50 - 20
24114-57BTO	50 - 12	24741-57B01	47 - 1	24971-57B00	53 - 22
24118-57B00	50 - 15	24741-60A01	42 - 12	24991-57B00	53 - 1
24121-60A00	41 - 7	24742-57B00	47 - 5	24992-57B00	53 - 16
24131-60A02	41 - 26	24743-57B01	48 - 2	24993-57B00	53 - 12
24135-60A01	41 - 33	24744-57B00	48 - 1	24994-57B00	53 - 32
24137-60A10	41 - 56	24745-57B00	47 - 4	24995-57B00	53 - 6
24138-85C00	41 - 57	24751-57B00	47 - 18	25120-60A01	43 - 14
24139-85C00	41 - 58	24761-57B00	46 - 12	25129-60A00	43 - 17
24140-57B00	50 - 7	24771-57B00	47 - 23	25211-60A02	43 - 1
24142-57B00	50 - 18	24772-57B00	46 - 18	25221-60A11	43 - 2
24163-57BTO	50 - 11	24773-57B00	47 - 25	25271-60A01	43 - 30
24191-57B00	50 - 5	24780-57BTO	45 - 1	25281-60A02	43 - 41
	51 - 6	24781-57B00	47 - 6	25341-80701	43 - 37
24192-57B00	50 - 6	24782-57B00	45 - 5	25410-60A00	43 - 3
24193-57B00	50 - 8		47 - 2	25415-85C00	43 - 10
24194-57B00	50 - 14	24783-57B00	45 - 4	25420-60A10	43 - 4
	50 - 16		46 - 13	25450-60A00	43 - 5
24211-83011	41 - 16	24784-57B00	45 - 3	25521-60A11	43 - 27
24220-85C00	41 - 19		46 - 6	25531-60A01	43 - 32
24230-85C00	41 - 21	24790-56B10	42 - 25	25541-60A03	43 - 28
24250-85C10	41 - 23		44 - 16	25551-85C00	43 - 29
24255-60A00	41 - 25	24791-56B00	42 - 27	25911-57B00	54 - 1
24271-85C00	41 - 10		44 - 18	25921-57B00	54 - 4
24351-60A10	41 - 35	24791-57B00	47 - 26	25931-57B00	54 - 9
24400-60A00	41 - 37	24801-60820	41 - 47	25941-57B00	54 - 10
24410-60A00	41 - 38	24801-85810	41 - 24	25951-57B00	54 - 2
24420-60A01	41 - 39	24831-57B00	43 - 26	25961-57B00	54 - 5
24431-83001	41 - 40	24839-61A31	47 - 10	26150-57B00	47 - 14
24432-60A00	41 - 41	24891-56X52	48 - 6	26310-57BTO	50 - 13
24471-60A00	41 - 44		48 - 7	26410-57B00	55 - 52
24473-70D10	41 - 45	24895-57B00	48 - 10	26500-57B03	55 - 1
24551-56B00	41 - 52	24899-85500	48 - 11	26510-57B01	55 - 7
24561-85F00	41 - 50	24901-57B00	53 - 2	26520-57B00	55 - 3
24565-60B00	41 - 54	24902-57B00	53 - 11	26521-57B00	55 - 39
24671-60A00	41 - 40	24921-57BTO	53 - 31	26522-57B02	55 - 5
24681-60A00	41 - 46	24931-57B00	53 - 8	26523-57B00	55 - 20
24700-57BTO	45 - 6	24943-57B00	53 - 15	26530-57B01	55 - 2
24700-60A01	42 - 1	24944-57B00	53 - 17	26531-57B00	55 - 44
24710-57B01	46 - 3	24946-57B00	53 - 18	26532-57B00	55 - 42
24711-57B00	46 - 2	24950-57B00	53 - 4	26533-57B00	55 - 41

PART NO.	FIG. NO. - REF. NO.	PART NO.	FIG. NO. - REF. NO.	PART NO.	FIG. NO. - REF. NO.
26534-57B00	55 - 43	26861-57B00	53 - 29	27421-60A02	61 - 20
26538-57B00	55 - 9	26891-57B00	53 - 9	27421-60A13	63 - 21
	55 - 11	26900-57B00	52 - 1	27425-60A02	63 - 29
26541-57B00	55 - 19	26911-57BT0	52 - 4	27432-60A40-170	64 - 20
26552-57B00	55 - 8	26913-57BT0	52 - 9	27432-60A40-180	64 - 20
26565-57B00	55 - 35	27101-57B01	60 - 1	27433-60A40-170	64 - 19
26580-57BT0	56 - 1	27101-85C00	60 - 1	27433-60A40-180	64 - 19
26581-57B00	55 - 38	27102-56B10	60 - 6	27434-60A40	64 - 21
	56 - 4	27102-57B20	60 - 6	27450-60821	63 - 9
26582-57B00	55 - 36	27102-57B30	60 - 6	27450-60840	64 - 9
26583-57B00	55 - 34	27102-85C00	60 - 6	27450-85C00	61 - 9
	56 - 5	27110-56B01	61 - 1	27450-85C50	63 - 9
26584-57B01	55 - 4		63 - 1	27461-83000	61 - 24
	56 - 2		64 - 1		63 - 26
26585-57B01	55 - 6	27131-85C00	60 - 2		64 - 23
	56 - 3		60 - 7	27462-63202	61 - 25
26586-57B00	55 - 27	27140-60A00	60 - 3		63 - 27
26587-57B00	55 - 28	27140-60A30	60 - 8		64 - 24
26588-57B00	55 - 29	27140-85C00	60 - 3	27471-60A10	61 - 27
26589-57B00	55 - 13		60 - 8	27550-60A00	62 - 12
26591-57B00	55 - 14	27200-85C00	60 - 4	27561-85C00	62 - 20
26592-57BT0	55 - 16		60 - 9	27611-60A02	62 - 1
26601-57B01	51 - 1	27225-85C00	60 - 5	27620-85400	62 - 6
26602-57B00	51 - 9		60 - 10	27661-60A01	62 - 9
26621-57BT0	51 - 11	27315-60A01	61 - 3	27665-60A00	62 - 10
26622-57BT0	51 - 2		63 - 3	27670-60A00	62 - 14
	51 - 13		64 - 3	27675-60A01	62 - 15
26631-57BT0	51 - 5	27331-60A10	63 - 13	27911-79400	64 - 27
26632-57BT0	51 - 14	27331-60A40	64 - 14	27912-60A00	64 - 28
26661-57BT0	51 - 4	27331-83020	61 - 14	27965-85400	37 - 17
26662-57BT0	51 - 8	27341-60A10	63 - 14	28101-85C00	57 - 1
26663-57BT0	53 - 19	27341-60A40	64 - 15	28110-57B10	59 - 1
26691-57B00	51 - 3	27341-83000	61 - 15	28110-57B30	59 - 1
	51 - 12	27351-60A40	64 - 16	28113-85C00	57 - 2
26692-57B01	51 - 7	27351-64B20	61 - 17	28117-60A00	43 - 20
26692-57B10	51 - 10		63 - 16	28117-64B60	59 - 13
	52 - 3	27355-60A01	63 - 1	28118-57B00	59 - 14
	52 - 10	27356-86081	63 - 19	28136-60A02	57 - 3
26811-57BT0	53 - 13	27357-60A40	64 - 17	28136-60A10	57 - 3
26821-57B00	53 - 27	27375-60A00	61 - 8	28137-60A01	57 - 6
26822-57B00	53 - 30		63 - 8	28138-60A01	57 - 4
26831-57B00	53 - 10		64 - 8	28150-57B10	59 - 4
26832-57B00	53 - 23	27400-60830	64 - 13	28150-57B30	59 - 4
26841-57B00	53 - 26	27411-60A02	61 - 19	28160-57B01-5PK	59 - 9
26850-57BT0	50 - 9	27411-60A22	63 - 20	28160-57B31-5PK	59 - 9

PART NO.	FIG. NO. - REF. NO.	PART NO.	FIG. NO. - REF. NO.	PART NO.	FIG. NO. - REF. NO.
28164-57B00	59 - 11	29511-60A01	67 - 1	29945-57B00	53 - 14
28176-61A00	59 - 2	29521-60A01	67 - 2	29969-57B00	47 - 21
28180-61A00	59 - 5	29528-60A00	67 - 8	29972-57B00	46 - 10
28182-61A00	59 - 6	29531-60A21	67 - 3	29973-57B00	55 - 15
28210-57B00	58 - 2	29535-60A00	66 - 21	29974-57B00	55 - 21
28221-61A00	58 - 3	29536-60A00	67 - 10	29975-57B00	55 - 26
28231-57B00	58 - 9	29622-57B00	53 - 7	29976-57B00	55 - 25
28291-78233	58 - 12	29624-57B00	54 - 8	29977-57B00	55 - 24
28381-60A01	39 - 3	29627-57B00	55 - 10		55 - 37
28381-60A60	39 - 3	29628-57B00	55 - 12	29978-57B00	55 - 23
28948-57B00	54 - 7	29641-57B00	55 - 54	29979-57B00	55 - 22
28949-57B00	50 - 3	29643-57B00	55 - 51	29983-57B00	55 - 18
	52 - 5	29644-57B00	55 - 47	29984-57B00	55 - 32
	52 - 8	29645-57B00	55 - 48	29985-57B00	55 - 31
	53 - 25	29698-57B00	50 - 10	29986-57B00	55 - 30
29110-85C00	65 - 1	29721-57B00	55 - 45		55 - 40
29121-85C00	65 - 7	29722-57B00	55 - 49	29987-57B00	55 - 33
29131-60A02	65 - 8	29725-57B00	47 - 27	29988-57B00	54 - 12
29133-85C00	65 - 44	29726-57B00	47 - 13	29989-57B00	47 - 28
29136-60A01	65 - 14	29727-57B00	47 - 19	29991-57B00	46 - 11
29141-60A10	65 - 16	29728-57B00	55 - 17	29993-57B00	58 - 17
29151-60A00	65 - 31	29729-57B00	53 - 28	29994-57B00	46 - 14
29211-85C00	65 - 22	29731-57B00	55 - 53	29995-57B00	46 - 7
29221-60A00	65 - 27	29732-57B00	55 - 50	29996-57B00	46 - 8
29222-60A00	65 - 29	29733-57B00	55 - 46	29997-57B00	52 - 11
29225-60A01	65 - 30	29736-57B00	45 - 2	29998-57B00	49 - 6
29230-60A10	65 - 26		46 - 5	29999-57B00	49 - 4
29230-85C00	65 - 24	29737-57B00	48 - 3		
29300-60A13	66 - 18	29738-57B00	46 - 16		
29300-77E10	66 - 18	29742-57B00	52 - 7		
29311-60A02	66 - 1	29743-57B00	52 - 6		
29321-60A10	66 - 2	29745-57B00	50 - 17		
29331-60A00	66 - 3	29750-60A00	66 - 27		
29332-60A10	66 - 4	29792-57B01	46 - 4		
29334-60A10	66 - 10	29793-57B00	54 - 13		
29339-60A00	66 - 5	29794-57B00	53 - 21		
29344-60A10	66 - 19	29795-57B00	53 - 5		
29344-85C00	66 - 19	29796-57B00	53 - 3		
29346-56B01	66 - 23	29797-57B00	50 - 21		
29347-56B00	66 - 24		52 - 2		
29349-60A10	66 - 25	29799-57B00	49 - 2		
29411-60A20	65 - 33	29849-57B00	46 - 15		
29415-85C00	66 - 16	29898-57B00	54 - 3		
29421-60A02	65 - 36	29899-57B00	54 - 6		
29430-60810	65 - 37	29944-57B00	54 - 11		
				<b>30000</b>	
				31100-85C00	68 - 1
					69 - 1
					70 - 1
				31131-85C00	70 - 3
				31152-85C00	70 - 10
				31152-85C10	70 - 11
				31171-85C00	71 - 4
				31172-85C00	70 - 4
				31191-85C00	70 - 8
				31220-85C00	70 - 6

PART NO.	FIG. NO. - REF. NO.	PART NO.	FIG. NO. - REF. NO.	PART NO.	FIG. NO. - REF. NO.
31311-85C00	70 - 13	33920-71E50	84 - 1	34926-60A00	75 - 21
31320-85C00	70 - 12	33920-71E60	84 - 1	34935-56B00	82 - 83
31400-85C00	68 - 5	33924-77E00	85 - 2		83 - 80
	69 - 5	33924-77E10	84 - 2	34955-60E00	75 - 17
	71 - 1	33940-70E10	84 - 53		90 - 5
31582-85C00	71 - 5		85 - 50	35100-60A21	76 - 1
31710-85C00	71 - 8	33945-70E00	84 - 57	35100-60A80	77 - 1
31775-85C00	71 - 2		85 - 54	35129-85C10	81 - 15
32500-85C00	71 - 7	33946-70E00	84 - 58	35179-82060	76 - 4
33100-70E00	69 - 19		85 - 55		77 - 4
	73 - 1	33946-70E11	84 - 56	35180-60E00	84 - 43
33100-70E10	68 - 19	33946-70E20	85 - 53	35186-70A01	84 - 44
	72 - 1	33946-70E30	84 - 65		85 - 64
33278-85060	72 - 5	33970-70E00	84 - 68	35300-60A21	76 - 2
	73 - 5		85 - 65	35300-60A80	77 - 2
33310-70E00	72 - 4	34101-78EF0	75 - 1	35650-85C00	81 - 1
	73 - 4	34101-78EH0	75 - 1	35655-85C00	81 - 5
33321-70E00	73 - 2	34101-79E80	75 - 1	35670-85C00	81 - 2
33321-70E10	72 - 2	34101-79E90	75 - 1	35910-85C00	81 - 8
33326-70E00	73 - 3		75 - 1	36118-60A20	76 - 7
33326-70E10	72 - 3	34112-67E20	75 - 6		77 - 7
33551-60A10	90 - 16	34120-79E10	75 - 2	36210-56B00-5EH	80 - 1
33553-52E00	82 - 8	34120-79E20	75 - 2	36210A60A00	79 - 1
	83 - 7	34141-60E10	75 - 8	36230-85C10	79 - 5
33610-85C90-R	74 - 1	34145-60B00	75 - 7	36232-60A10	79 - 7
33660-85C00	74 - 2	34152-77E10	75 - 9	36235-60A10	79 - 6
33705-57B21	69 - 21	34155-50E10	75 - 14	36242-60A10	79 - 8
33705-83020	68 - 21	34172-50E10	75 - 10	36410-85C00	76 - 9
33730-57B21	69 - 22	34175-78900	75 - 12		77 - 9
33730-60C30	68 - 22		75 - 12	36412-85C00	76 - 11
33740-57B21	69 - 23	34220-79E00	75 - 3		77 - 11
33740-60C30	68 - 23	34320-67E20	75 - 4	36430-85C00	76 - 10
33750-57B21	69 - 24	34420-67E20	75 - 5		77 - 10
33750-83020	68 - 24	34600-77E00	90 - 15	36550-85C00	84 - 40
33760-57B21	69 - 25	34810-85C00	190 - 26		85 - 39
33760-85220	68 - 25		191 - 26	36551-85C00	84 - 41
33800-70E30	74 - 3	34815-85C00	190 - 27		85 - 40
33800-79E20	74 - 3		191 - 27	36570-85C10	81 - 11
33881-82011	37 - 50	34850-50A00	204 - 6	36571-85C10	81 - 20
33884-86510	68 - 27	34850-82012	16 - 17	36572-85C10	81 - 13
	69 - 26		17 - 35	36578-56B00	81 - 23
33920-70E00	85 - 1	34910-60A31	75 - 18	36578-85C00	81 - 17
33920-70E30	84 - 1	34910-60A41	75 - 18	36578-85C10	76 - 14
33920-71ED0	84 - 1	34910-62A00	75 - 18		77 - 14
	85 - 1	34926-57B20	75 - 25	36590-85C10	81 - 12

PART NO.	FIG. NO. - REF. NO.	PART NO.	FIG. NO. - REF. NO.	PART NO.	FIG. NO. - REF. NO.
36591-85C10	81 - 21	36650-70E80	83 - 50	36757-62A00	82 - 80
36601-60A00	83 - 1	36650-70E90	83 - 50		83 - 77
36601-60A10	83 - 1	36650-71E40	82 - 51	36757-62A10	82 - 81
36601-60A20	83 - 1	36650-71E50	82 - 51		83 - 78
36601-60A30	83 - 1	36650-71E60	83 - 50	36757-70E00	82 - 80
36601-60A40	82 - 1	36650-71E70	82 - 51		83 - 77
36601-60A50	82 - 1	36660-61A00	82 - 62	36757-70E20	82 - 81
36601-60A60	82 - 1		83 - 62		83 - 78
36601-60A70	82 - 1	36660-70E40	82 - 62	36757-82100	82 - 89
36601-61A00	83 - 1		83 - 62		83 - 89
36601-70E50	83 - 1	36667-60A00	82 - 65	36795-82000	82 - 7
36601-70E60	83 - 1		82 - 84		83 - 6
36601-70E70	83 - 1		83 - 65	36820-56B00	82 - 70
36601-70E80	83 - 1		83 - 81		83 - 70
36601-71E01	82 - 1	36670-70E10	82 - 97	36820-60A30	82 - 70
36601-71E11	82 - 1			36820-60A30	83 - 70
36601-71E21	82 - 1	36690-77E10	83 - 106	36820-61A10	79 - 12
36601-71E31	82 - 1	36690-77E20	82 - 109	36820-70E00	80 - 11
36601-71E40	83 - 1	36717-60A30	82 - 6	36823-70E70	82 - 72
36601-72E00	82 - 1		83 - 5	36823-70E80	82 - 72
36614-70E00	82 - 114	36717-60A40	82 - 6	36845-62A11	82 - 64
36614-70E10	83 - 111	36717-77E00	83 - 5		83 - 64
36620-77EF0	83 - 36	36730-60A20	82 - 12	36865-82000	90 - 11
36620-77EJ0	82 - 37		83 - 11	36875-70E00	82 - 100
36620-77EP0	83 - 36	36735-60A00	82 - 10		83 - 98
36620-77EQ0	82 - 37	36735-77E03	83 - 9	36875-70E10	82 - 100
36620-77ER0	83 - 36	36735-77E13	83 - 9		83 - 98
36620-77ES0	82 - 37	36737-60A00	82 - 20	36880-60A20	82 - 95
36620-77E52	83 - 36		83 - 19		83 - 92
36630-71E00	82 - 40	36737-70E00	82 - 20	36886-50D00	84 - 59
36630-71E10	82 - 40	36737-70E10	83 - 19		85 - 56
36630-71E20	82 - 40	36740-77E00	83 - 11	36890-70C00	82 - 75
36630-71E60	83 - 39	36740-77E10	83 - 11		83 - 72
36630-71E70	83 - 39	36753-60A00	82 - 88	36926-85C00	82 - 26
36630-71E80	83 - 39		83 - 88	36930-70E00	82 - 46
36630-72E00	82 - 40	36756-62A00	82 - 79		83 - 48
36630-72E10	83 - 39		83 - 76	36930-82000	200 - 12
36630-77E50	82 - 40	36756-62A20	82 - 82		202 - 12
36630-77E70	83 - 39		83 - 79	36930-85C00	80 - 12
36635-60A00-5PK	159 - 1	36756-70E00	82 - 78		82 - 42
	160 - 1				
36640-57B31	82 - 44	36757-56B00	83 - 75		82 - 42
	83 - 44		82 - 92		82 - 66
36640-77E20	82 - 44		83 - 83		82 - 71
	83 - 44	36757-56B10	82 - 93		82 - 73
			83 - 84		82 - 76

PART NO.	FIG. NO. - REF. NO.	PART NO.	FIG. NO. - REF. NO.	PART NO.	FIG. NO. - REF. NO.
	83 - 42		86 - 1	37880-56B01-5EH	80 - 5
	83 - 42	37106-77810-5ES	86 - 1	37881-56B00-5EH	80 - 8
	83 - 66		86 - 1	37884-56B00	80 - 7
	83 - 71	37106-77820-5ES	86 - 1	37940-60A10	125 - 2
	83 - 73	37106-77830-5ES	86 - 1	37950-60E01	84 - 38
	84 - 48		86 - 1		85 - 37
36930-86000	89 - 25		86 - 1	37955-60E00	84 - 69
36955-60A00	79 - 13	37106-77840	86 - 2		85 - 66
	82 - 35	37106-77850-5ES	86 - 1	37990-56B60	84 - 21
	83 - 34		86 - 1		85 - 20
36990-56B00	82 - 22		86 - 1	37993-56B50	84 - 24
	83 - 21		86 - 1		85 - 23
36990-85C00	75 - 20	37145-60A00	86 - 9	37995-56B50	84 - 23
	82 - 49	37145-77E10	86 - 10		85 - 22
	83 - 61	37152-84100	86 - 3	37995-56B60	84 - 22
36990-85C10	95 - 10	37280-70F00	84 - 6		85 - 21
	74 - 8		85 - 5	38101-60A30	88 - 1
	82 - 36	37285-60E00	84 - 42	38101A60A40	87 - 1
	83 - 35		85 - 41	38102-60A00	88 - 5
	153 - 39	37370-50G00	84 - 11	38102A60A10	87 - 5
36990-85C20	82 - 54		85 - 10	38252-60A00	87 - 2
	82 - 63	37399-60E10	84 - 12		88 - 2
	82 - 63		84 - 19	38271-61A00	89 - 6
	83 - 53		85 - 11	38272-61A00	89 - 5
36990-85C30	82 - 56		85 - 18	38274-61A00	89 - 8
	83 - 55	37400-77E00	85 - 7	38278-61A00	89 - 7
	83 - 63	37400-77E10	85 - 7	38310A60A00	87 - 7
	83 - 65	37400-77E40	84 - 8	38310-60A10	88 - 7
36995-57B20	82 - 99	37400-77E50	84 - 8	38315-60B10	192 - 40
	83 - 97	37610-83001	42 - 16		193 - 40
36995-57B30	82 - 98	37670-61A00	84 - 15	38315-61A00	89 - 13
	83 - 96		84 - 15	38319-7500Q	87 - 11
36995-60A10	82 - 74		84 - 16		88 - 11
36996-56B00	82 - 103		85 - 14	38340A60A00	87 - 9
	83 - 101		85 - 14	38340-60A10	88 - 9
36996-70E00	83 - 25		85 - 15	38346-61A00	89 - 12
36997-60A00	82 - 101	37680-60A01	67 - 15	38346-84040	87 - 10
	83 - 99	37680-60A10	67 - 20		88 - 10
36997-60A10	82 - 104	37740-60D01	84 - 13	38410-66113	87 - 12
	83 - 113		85 - 12		87 - 12
37101-77850	86 - 2	37820-85C00	5 - 17		88 - 12
37105-77880-5ES	86 - 1	37860-60A01	84 - 17		88 - 12
37105-77890-5ES	86 - 1	37860-70F00	85 - 16	38450-60A00	87 - 13
	86 - 1	37865-56B00	84 - 39		88 - 13
	86 - 1		85 - 38	38450-61A00	87 - 13



PART NO.	FIG. NO. - REF. NO.	PART NO.	FIG. NO. - REF. NO.	PART NO.	FIG. NO. - REF. NO.
38452-80000	88 - 13 87 - 14	38821-61A00	89 - 9	39471-60A00	84 - 36
38480-60A01	88 - 14 87 - 23 88 - 23	38822-61A00	89 - 11		85 - 35
		38835-61A00	89 - 19	39472-82000	84 - 37
		38838-82000	89 - 20		85 - 36
		38839-82000	89 - 21		
38491-61A00	87 - 17 87 - 19 87 - 21 87 - 22 88 - 17	38842-61A00	89 - 14		
		38843-61A01	89 - 15		
		38850-50F50	84 - 5 84 - 20 84 - 33	<b>40000</b>	
	88 - 19 88 - 21 88 - 22 89 - 16 89 - 22		85 - 4 85 - 19 85 - 32	41111-56B03	91 - 15
		38851-77E00	84 - 45	41111-60A21	91 - 15
		38851-77E10	84 - 46	41211-60A00	91 - 17
				41311-77EA0	96 - 19
					96 - 17
38491-61A10	89 - 23 89 - 24	38860-50G20	84 - 63 85 - 60	41311-77E00	96 - 17
38491-79020	89 - 18 89 - 18 89 - 18	38860-72G00	84 - 52 85 - 62 200 - 6	41601-85CA0	91 - 3
				41601-85CB0	91 - 3
				41602-85CA0	91 - 4
				41602-85CB0	91 - 4
38496-56B00	89 - 23 89 - 23		204 - 4 204 - 4	41700-85C10	96 - 20
38496-61A00	89 - 24 87 - 18 88 - 18	38863-70G00	84 - 64	41700-85C20	96 - 20
			85 - 61	41810-60A01	91 - 11
		38880-70E20	84 - 32	41841-85C00	91 - 10
				41842-85C00	91 - 13
38496-71311	89 - 17 87 - 20 88 - 20	38910-77E00	85 - 31 84 - 49 85 - 47	41850-60A00	91 - 14
38500-85C00	84 - 26 85 - 25	38912-77E00	84 - 50 85 - 48	42110-85C00	91 - 16
					96 - 18
38500-85C10	84 - 27 85 - 26	38913-50D00	84 - 60 85 - 57	42311-85C00	92 - 1
38590-77E10	84 - 30 85 - 29	39161-70E01	90 - 2	42411-85C00	92 - 7
38610-85C00	84 - 29	39182-70E11	90 - 13	42412-60A00	92 - 6
		39182-70E21	90 - 13	42420-85C00	92 - 2
				42421-85C00	92 - 5
38660-82202	85 - 28 85 - 43	39191-50F00	90 - 1	43110-85C10	99 - 8
38661-77E00	85 - 45	39250-85C00	90 - 8	43130-78030	99 - 9
38700-77E00	84 - 25 85 - 24	39251-60A00	90 - 9	43210-56B20-27S	99 - 3
		39262-60A00	90 - 10	43210-60A20-27S	99 - 1
		39283-85C00	90 - 17	43210-85C00-27S	99 - 2
				43215-85C00	96 - 4
38700-77E10	84 - 25 85 - 24	39312-82012	83 - 93	43231-85C00	99 - 5
38811-61A00	89 - 1	39321-60G00	90 - 3	43232-85C00	99 - 5
38813-61A00	89 - 3	39321-60G10	90 - 4	43233-85C00	99 - 5
38814-61A00	89 - 4	39400-85C00	84 - 34 85 - 33	43234-85C00	99 - 5
				43235-85C00	99 - 5
				43236-85C00	99 - 5

PART NO.	FIG. NO. - REF. NO.	PART NO.	FIG. NO. - REF. NO.	PART NO.	FIG. NO. - REF. NO.
43239-85C00	99 - 5	44134-60A10	93 - 10	48220-77E10	102 - 5
43241-80001	94 - 3	44135-60A20	93 - 8	48228-60A00	102 - 7
43241-85C00	99 - 5	44136-60A10	93 - 9	48229-60A00	102 - 8
43252-60A10	99 - 7	44141-85C00	94 - 18	48400-77E00-5ES	102 - 11
43252-85C00	99 - 6	44182-60A01	94 - 19	48400-77E50-5ES	102 - 11
	99 - 6	44210-56B00	97 - 3	48491-77E00	102 - 2
43421-60A00	94 - 1	44211-60A10	98 - 3	48600-56B70	103 - 1
43421-77E10	94 - 1	44220-56B00	97 - 4	48600-60A22	104 - 1
43440-77E00	94 - 28	44221-60A10	98 - 4	48671-60A20	104 - 2
43440-85C00	94 - 28	44231-85C00	97 - 2	48671-60A70	103 - 2
43445-60A11	94 - 29		97 - 5	48674-63240	103 - 4
43445-85C00	94 - 29	45111-60A00	91 - 1		104 - 4
43461-60A01	94 - 22	45151-60A00	91 - 2	48691-56B70	103 - 5
43465-60A00	94 - 23	45201-85C00	91 - 18	48691-60A21	104 - 5
43466-60A00	94 - 20	45202-85C00	91 - 19	48721-60A00	103 - 10
43471-60A00	94 - 4	45253-85C00	91 - 21	48721-60A00	104 - 10
43485-73000	97 - 10	45254-85C00	91 - 25	48750-60A00	103 - 12
	98 - 7	45700-85C00	91 - 28		104 - 12
43486-85C00	94 - 25	45714-85C00	91 - 29	48760-60A01	103 - 16
43511-60A00	97 - 1	45715-85C00	91 - 30		104 - 16
43511-60A10	98 - 1	46200-56B00	96 - 1	48771-60A00	103 - 11
43511-77E00	98 - 1	46206-60A00	96 - 2		104 - 11
43588-73000	97 - 12	46310-85C00	96 - 11	48775-60A00	103 - 8
	98 - 9	46314-85C00	96 - 14		104 - 8
43800-60811	94 - 7	46320-85C00	96 - 12	48810-85C00	103 - 21
43810-60A10	94 - 13	46411-60A00	96 - 7		104 - 21
43811-85C00	94 - 17	46500-85C10	95 - 1	48814-85C00	103 - 22
43813-60A00	94 - 8	46517-85C00	95 - 2		103 - 28
43814-60A01	94 - 10	46520-60A00	95 - 5		104 - 22
43814-60A10	94 - 14	46528-85C00	95 - 6		104 - 28
43815-83000	94 - 15	46543-60A00	66 - 32	48815-85C00	103 - 23
43838-60A00	94 - 9	46543-85C00	43 - 21		103 - 29
43838-83000	94 - 16		62 - 5		104 - 23
43841-80001	94 - 6		95 - 13		104 - 29
	94 - 12	46581-85C00	95 - 8	48820-85C00	103 - 27
44101-60A20	93 - 1	46583-85C00	95 - 9		104 - 27
44102-60A10	93 - 2	48110-50G00-5ES	101 - 1	48836-85C00	103 - 25
44111-60A10	93 - 11	48110-62G00-5ES	100 - 1		104 - 25
44121-60A10	93 - 6	48118-50G00-5ES	101 - 2	48850-85C00	103 - 18
	93 - 13	48119-50G00-5ES	101 - 3		104 - 18
44124-60A10	93 - 7	48120-62G50-5ES	100 - 2	49100-56B20	105 - 1
	93 - 12	48150-77E70-5ES	101 - 4		106 - 1
44131-60A10	93 - 3	48200-77E00	102 - 1	49111-56B20	105 - 2
44132-60A10	93 - 4	48200-77E10	102 - 1		106 - 2
44133-60A10	93 - 5	48220-62A11	102 - 6	49112-56B20	105 - 3

PART NO.	FIG. NO. - REF. NO.	PART NO.	FIG. NO. - REF. NO.	PART NO.	FIG. NO. - REF. NO.
49113-56B20	106 - 3 105 - 4 106 - 4	49451-60B00	109 - 9 110 - 9 107 - 3 108 - 3 109 - 3	<b>50000</b>	
49114-56B20	105 - 5 106 - 5				
49115-56B20	105 - 6 106 - 6	49511-60A00	110 - 3 107 - 7 108 - 7 109 - 7 110 - 7	51000A56B00	111
49120-56B00	105 - 7 106 - 7			51010-58B00	114 - 12
49120-56B11	105 - 7			51020-56B20	113 - 12
				51020A56B00	111 - 7
				51020-58B00	112 - 12
49140-56B00	106 - 7 105 - 12 106 - 12	49610-62A00	108 - 13 110 - 13	51100-56B20	113 - 1
49141-60A00	105 - 13 106 - 13	49610-62A51	107 - 13	51100-57B00	112 - 1
		49610-62A62	109 - 13	51100-57B10	114 - 1
		49691-62A00	107 - 18	51100-57B50	112 - 1
				51100-57B60	114 - 1
49180-60B10	203 - 8		108 - 18	51100-70841	113 - 2
49200-56B10	106 - 16		109 - 18	51132-82003	112 - 14
49200-60A21	106 - 16		110 - 18		113 - 13
49210-60A21	106 - 23	49710-62A01	108 - 33		114 - 13
49211-60A70	105 - 16	49710-62A11	110 - 20	51182-60A60	112 - 8
49214-56B00	105 - 18 106 - 24	49710-62A53	107 - 33		113 - 8
49222-60A00	106 - 17	49710-62A63	109 - 20		114 - 8
49223-60A00	106 - 20	49751-79001	107 - 14	51197-85520	113 - 5
49224-60A00	106 - 19		107 - 21	51200-56B00	113 - 3
			108 - 14	51200-77E00	112 - 3
49225-56B00	106 - 21 106 - 26	49751-86300	108 - 21 109 - 14		114 - 3
49225-60A00	106 - 25		110 - 14	51220-60A20	113 - 7
49226-56B00	106 - 18	49810-62A01	108 - 20	51234-60A20	113 - 6
49227-56B00	106 - 19	49810-62A51	107 - 20	51300-56B00	113 - 9
				51300-77E00	112 - 9
49230-79E00	105 - 17	49818-77500	107 - 23	51300-77E10	114 - 9
49251-85C00	105 - 21 106 - 29		108 - 23	51340-56B20	115 - 17
49252-85C00	105 - 22 106 - 30	49821-62A51	107 - 26		117 - 18
		49821-77500	107 - 25 108 - 25	51340-60A00	115 - 17
					117 - 18
49253-85C00	105 - 24 106 - 32 112 - 17 112 - 18	49831-62A00	108 - 24	51340-60A60	116 - 23
49410-62A01	108 - 1	49831-62A50	107 - 24		118 - 24
				51350-56B20	115 - 25
					117 - 26
				51350A60A00	115 - 25
49410-62A51	110 - 1 107 - 1				115 - 25
	109 - 1				117 - 26
49416-60A00	107 - 9 108 - 9				117 - 26
				51380-60A11	112 - 19
				51410A56B0	117 - 1

PART NO.	FIG. NO. - REF. NO.	PART NO.	FIG. NO. - REF. NO.	PART NO.	FIG. NO. - REF. NO.
51410-57B00	115 - 1	51480-56B01	115 - 28		117 - 17
51410-57B10	117 - 1		116 - 27		118 - 23
51410-57B50	116 - 1		117 - 29	51593-85C00	115 - 14
51410-57B60	118 - 1		118 - 28		116 - 20
51410-85C00	115 - 11	51480A60A00	115 - 28		117 - 15
51420-77E10	115 - 7		117 - 29		118 - 21
	116 - 13	51480-60A11	115 - 28	51620-60B00	116 - 5
	117 - 7		116 - 27		118 - 5
	118 - 13		117 - 29	51640-60A30	115 - 4
51430-60A00	115 - 11		118 - 28		117 - 4
51430A60A00	117 - 12	51490-57B50	116 - 7	51640-60A60	116 - 9
51430-57B50	116 - 18	51490-57B60	118 - 7		118 - 9
51430-57B60	118 - 19	51510-57B50	116 - 8	51751-60B00	115 - 3
51430-60A60	115 - 11	51510-57B60	118 - 8		116 - 11
51430-79E00	117 - 12	51520A56B00	117 - 2	51752-70B00	117 - 3
51435-60A00	115 - 12	51520-57B00	115 - 2		118 - 11
	116 - 14	51520-57B10	117 - 2	51753-60G00	118 - 32
	117 - 13	51520-57B50	116 - 2	51781-85C00	115 - 8
	118 - 14	51520-57B60	118 - 2		116 - 15
51440-57B50	116 - 3	51520-85C00	115 - 2		117 - 8
51440-57B60	118 - 3	51540-85C00	115 - 10		118 - 15
51450-57B50	116 - 4		116 - 17	51781-85C10	115 - 30
51450-57B60	118 - 4		117 - 11		116 - 29
51460-56B20	115 - 18		118 - 18		117 - 31
	117 - 19	51550-85C00	115 - 13		118 - 30
51460-56B60	116 - 23		116 - 19	51791-50G50	116 - 31
	118 - 24		117 - 14	51791-85C00	115 - 31
51460A60A00	115 - 18		118 - 20		116 - 30
	117 - 19	51560B83031	115 - 26		117 - 32
51460-60A00	115 - 18		117 - 27		118 - 31
	117 - 19	51560-83031	115 - 26	51810-57B00	112 - 2
51465-60A00	115 - 19		116 - 25		114 - 2
	116 - 24		117 - 27	51811-85C00	111 - 16
	117 - 20		118 - 26		112 - 16
	118 - 25	51570-77E00	117 - 6		113 - 15
51470-56B01	115 - 27		118 - 12	51831-57B10	112 - 13
	116 - 26	51570-85C00	115 - 6	51911-85C00	111 - 17
	117 - 28		116 - 12		111 - 18
	118 - 27		117 - 6		113 - 16
51470A60A00	115 - 27	51591-85C00	115 - 15		114 - 16
	117 - 28		116 - 21	51930-56B20	115 - 20
51470-60A10	115 - 27		117 - 16		117 - 21
	116 - 26		118 - 22	51930-60A20	115 - 20
	117 - 28	51592-85C00	115 - 16		117 - 21
	118 - 27		116 - 22	51955-60A20	115 - 22

PART NO.	FIG. NO. - REF. NO.	PART NO.	FIG. NO. - REF. NO.	PART NO.	FIG. NO. - REF. NO.
53110-60A40	117 - 23 123 - 1	53720-77E00	124 - 22	55200-56870	124 - 15 121 - 10
53110-60A70	122 - 1	53730-60A40	123 - 23	55200-63810	120 - 10
53110-77E50	124 - 1	53730-60A71	122 - 25	55206-60A00	120 - 7 121 - 7
53120-60A40	123 - 2	53730-77E00	124 - 23		
		53753-82030	122 - 26		
53120-60A70	122 - 2		123 - 24	55211-56B00	121 - 12
53120-77E50	124 - 2		124 - 24	55211-60A00	120 - 12
53141-84010	122 - 4 123 - 4 124 - 4	53781-77E01	123 - 17 124 - 17	55221-56B10	120 - 13 121 - 13
		53782-77E01	123 - 18	55222-56B10	120 - 14
53200-60861	122 - 5		124 - 18		121 - 14
53200-60880	123 - 5	53791-77E01	123 - 21	55234-56B00	121 - 11
53200-77811	124 - 5		124 - 21	55234-60A00	120 - 11
53231-56B00	124 - 6	53810-60A70	122 - 20	55391-85C00	120 - 15 121 - 15
53232-85120	122 - 6	53810-77E00	123 - 19		
	123 - 6		124 - 19	55473-82030	120 - 3 121 - 3
53241-82030	122 - 7 123 - 7 24 - 7	53820-60A00	122 - 29 123 - 27 124 - 27		122 - 16 123 - 14 124 - 14
53243-85010	122 - 8	53820-60A70	122 - 21		
	123 - 8	53820-77E00	123 - 20	56100-61A00	119 - 1
	124 - 8		124 - 20	56110-61A00	119 - 2
53244-82031	122 - 9	54100-86C00	125 - 1	56120-50G50	119 - 3
53245-82031	122 - 10	54410-56B60	125 - 11	56130-50G50	119 - 4
53331-60A70	122 - 11	54410-60A60	125 - 11	56140-60A00	119 - 8
	123 - 9	54420-56B60	125 - 12	56150-61A00	119 - 5
	124 - 9	54420-60A60	125 - 12	56160-61A00	119 - 6
53400-60820	122 - 14	54431-56B00	125 - 15	56210-61A00	119 - 9
53400-60830	123 - 12 124 - 12	54510-60A00-5ES	125 - 5	56220-61A00	119 - 10
		54524-19B00	122 - 22	56300-60A00	119 - 13
53401-56B00	122 - 12	54611-60A00	125 - 6	56320-60A00	119 - 17
53401-56B60	123 - 10 124 - 10	54711-60A00	125 - 8	56360-50G50	119 - 12
		54824-19B00	122 - 23	56411-61A00	119 - 19
53402-56B00	122 - 13	55100-56810	121 - 5	57000-57B40	127 - 1
53402-56B60	123 - 11	55100-60810	120 - 5	57000-57B50	127 - 1
	124 - 11	55101-56B30	121 - 1	57000-85C21	126 - 1
53417-82030	122 - 18 123 - 16 124 - 16	55101B60A00	120 - 1	57000-85C30	126 - 1
		55101-60A30	120 - 1	57110-56B21	127 - 2
53441-56B00	122 - 15	55102-56B30	121 - 2	57110-56B31	127 - 2
		55102B60A00	120 - 2	57110-60A21	126 - 2
	123 - 13	55102-60A30	120 - 2	57110-60A31	126 - 2
	124 - 13	55156-66310	120 - 4	57160-56B20	127 - 3
53714-85010	122 - 19		121 - 4	57160-56B30	127 - 3
53720-60A40	123 - 22		122 - 17	57160-60A20	126 - 4
53720-60A71	122 - 24		123 - 15	57160-60A30	126 - 4

PART NO.	FIG. NO. - REF. NO.	PART NO.	FIG. NO. - REF. NO.	PART NO.	FIG. NO. - REF. NO.
57210-56B20	127 - 4	57820-77E00	126 - 25	58970-56B01	132 - 19
57210-56B30	127 - 4		127 - 24		133 - 17
57211-60A20	126 - 5	57831-56B00	126 - 26	59110-56B00	132 - 20
57213-56B00	127 - 5		127 - 25	59110-56B10	133 - 18
57220-56B00	126 - 10	57841-56B00	126 - 27	59119-85C00	128 - 18
	127 - 8		127 - 26		129 - 17
57260-56B01	127 - 9	57941-60A00	126 - 28	59211-60A01	132 - 21
57260-60A00	126 - 11	57942-60A00	126 - 3	59211-60A11	133 - 19
57264-56B00	127 - 10	58110-85C00	132 - 1	59310-56B21	132 - 22
57310-56B00	127 - 11		133 - 1	59310-56B31	133 - 20
57310-60A01	126 - 12	58190-56B00	132 - 2	59411-60A01	132 - 23
57320-56B00	127 - 12		133 - 2		133 - 21
57320-60A01	126 - 13	58300-63A20	130 - 1	59412-60A00	132 - 24
57370-60A00	126 - 14	58410-60A30	130 - 2		133 - 22
57371-56B00	127 - 13	58600-60A21	131 - 1	59421-60A01	132 - 25
57380-60A00	126 - 15	58700-63A00	133 - 6		133 - 23
57381-56B01	127 - 14	58700-63A30	133 - 6	59422-60A00	132 - 26
57411-56B00	127 - 15	58700-63A40	132 - 6		133 - 24
57412-56B00	127 - 16	58700-63A90	132 - 6	59811-85C00-5EH	160 - 35
57481-60A00	126 - 16	58712-60A10	132 - 8		161 - 47
57482-60A00	126 - 17		133 - 8		161 - 47
57511-60A00	126 - 18	58717-60A00	132 - 10		161 - 47
	127 - 17	58730-56B00	133 - 10	59911-85C00	131 - 5
57521-60A00	126 - 19	58730-85C00	132 - 11	59915-85C00	142 - 12
	127 - 18	58740-60A00	132 - 13		143 - 12
57551-60A00	126 - 6		133 - 12	59918-85C00	166 - 16
57561-60A00	126 - 7	58755-60A00	132 - 15		167 - 23
57620-60A00	126 - 20		133 - 14	59931-85C00	128 - 20
	127 - 19	58760-60A01	132 - 17		129 - 19
57630-60A00	126 - 21	58771-56B00	132 - 18	59932-85C00	131 - 10
	127 - 20		133 - 16	59933-85C00	157 - 9
57710-56B20	127 - 6	58800-60A21	131 - 2		158 - 7
57710-56B30	127 - 6	58900-63A00	132 - 7	59934-85C00-5ES	159 - 14
57710-60A00	126 - 8	58900-63A10	133 - 7		159 - 35
57720-56B20	127 - 7	58900-63A20	132 - 7		160 - 14
57720-56B30	127 - 7	58900-63A30	132 - 7		160 - 28
57720-60A00	126 - 9		133 - 7		161 - 40
57720-60A10	126 - 9	58912-60A10	132 - 9	59941-85C00	142 - 11
	126 - 9		133 - 9		143 - 11
57730-56B10	126 - 22	58930-56B01	132 - 12		195 - 30
	127 - 21		133 - 11		196 - 30
57740-56B00	126 - 23	58941-60A00	132 - 14		196 - 39
	127 - 22		133 - 13	59951-85C00	169 - 3
57810-77E00	126 - 24	58955-60A00	132 - 16	59961-85C00	162 - 8
	127 - 23		133 - 15		163 - 7

PART NO.	FIG. NO. - REF. NO.	PART NO.	FIG. NO. - REF. NO.	PART NO.	FIG. NO. - REF. NO.
59972-85C00	142 - 4	61700-56B10	135 - 6	63511-60A30	136 - 7
	143 - 4	61760-56B00	135 - 7	63511-61A20	137 - 7
59981-85C00	131 - 9	62111-56B10	135 - 8	63511-61A30	137 - 7
	145 - 12	62111-60A20	134 - 8	63521-56B00	138 - 8
59991-85C00	157 - 2	62120-56B00	135 - 9	63610-56B40	138 - 10
	158 - 2	62120-60A10	134 - 9	63610-62A20	136 - 9
		62131-56B00	135 - 10	63610-63A60	137 - 10
		62131-60A00	134 - 11	63610-63A70	137 - 10
		62132-60A00	134 - 12	63610-63A80	137 - 10
			134 - 15	63621-56B10	138 - 12
		62141-56B00	135 - 11	63621-60A10	136 - 12
		62210-56B10	135 - 12	63710-60A10	136 - 14
		62210-60A20	134 - 10	63711-56B01	138 - 14
		62210-60A30	134 - 10	63711-56B11	138 - 14
		62310-56B00	135 - 13	63712-56B00	137 - 11
<b>60000</b>					
61100-57B00	132 - 27	62310-85C20	134 - 13		138 - 16
61100-57B20	133 - 25	62310-85C30	134 - 13	63810-56B00	138 - 18
61400-57B70	135 - 1	62331-85C00	134 - 14	63811-60A00	136 - 16
61400-57B80	135 - 1	62510-57B20	135 - 14		137 - 13
61400-62850	134 - 1	62510-62A40	134 - 16	64110-61A10	137 - 14
61400-62860	134 - 1	63111-56B20	138 - 5	64111-57B10	138 - 19
61440-60A00	134 - 2	63111-56B30	138 - 5	64111-57B20	138 - 19
	135 - 2	63111-60A10	136 - 6	64111-60A30	136 - 17
61450-56B00	135 - 3	63111-60A20	136 - 6	64111-60A50	136 - 17
61450-60A10	134 - 3	63111-61A20	137 - 6	64111-61A30	137 - 14
61461-60A00	134 - 5	63111-61A30	137 - 6	64112-56B00	138 - 21
61480-57B10	136 - 1	63121-56B00	138 - 7	64120-57B00	138 - 23
	137 - 1	63210-56B40	138 - 9	64120-60A10	136 - 27
	138 - 1	63210-62A20	136 - 8		137 - 19
61490-60A00	136 - 3	63210-63A60	137 - 8	64130-61A00	137 - 21
	137 - 3	63210-63A70	137 - 8		138 - 25
61491-56B00	138 - 3	63210-63A80	137 - 8	64141-61A00	137 - 23
61492-80000	136 - 5	63221-56B10	138 - 11	64151-60A00	136 - 19
	137 - 5	63221-60A10	136 - 11		137 - 16
61550-56B00	135 - 4	63310-60A10	136 - 13		138 - 27
61550-60A10	134 - 4	63311-56B01	138 - 13	64211-56B00	138 - 28
61561-60A00	134 - 6	63311-56B11	138 - 13	64214-60A00	136 - 20
61580-57B10	136 - 2	63312-56B00	137 - 9		137 - 17
	137 - 2		138 - 15		138 - 30
	138 - 2	63410-56B00	138 - 17	64215-60A02	136 - 21
61590-60A00	136 - 4	63410-60A00	136 - 15	64216-60A00	136 - 23
	137 - 4		137 - 12	64216-61A00	137 - 18
61591-56B00	138 - 4	63511-56B20	138 - 6	64217-60A00	136 - 25
61641-60A10	134 - 7	63511-56B30	138 - 6	64218-60A00	136 - 26
	135 - 5	63511-60A00	136 - 7	64221-56B00	138 - 31

PART NO.	FIG. NO. - REF. NO.	PART NO.	FIG. NO. - REF. NO.	PART NO.	FIG. NO. - REF. NO.
64230-60A00	136 - 33	65111-61A10	139 - 1	69410-56B10	181 - 3
	137 - 31	65115-60A00	136 - 35	69430-56B10	181 - 4
64231-56B10	138 - 33	65115-60A10	136 - 35	69440-56B10	181 - 5
64231-60A10	137 - 31	65120-56B00	140 - 2	69460-56B10	181 - 6
64241-56B10	138 - 35	65120-60A10	13 - 36	69510-85C00	185 - 2
64241-61A00	137 - 25	65120-61A00	139 - 2	69520-85C00	184 - 3
64250-56B00	138 - 37	65130-56B20	141 - 2		185 - 3
64250-61A00	137 - 29	65130-61A20	139 - 3		
64250-62A20	136 - 31		140 - 3		
64310-56B01	138 - 39	65141-56B00	140 - 4		
64310-60A00	136 - 29		141 - 3		
64310-61A01	137 - 27	65141-61A00	139 - 4		
64360-56B00	138 - 41	65950-56B00	138 - 44		
64370-56B00	138 - 43	65950-56B10	138 - 44		
64370-56B10	138 - 43	65950-60A00	136 - 38		
64510-62A40	137 - 15		137 - 32		
64511-57B10	138 - 20	65950-60A20	137 - 32	71410-56B00	129 - 1
64511-57B20	138 - 20	65965-60A00	136 - 39	71410-60A01	128 - 1
64511-60A10	136 - 18	65965-61A00	137 - 33	71410-60A21	128 - 1
64511-60A50	136 - 18		138 - 45	71420-56B21	129 - 2
64511-61A10	137 - 15	65966-60A00	136 - 40	71420-60A11	128 - 2
64512-56B00	138 - 22	65966-61A00	137 - 34		
64515-60A02	136 - 22		138 - 46	71451-60A00	128 - 3
64516-60A00	136 - 24	65971-77E00	134 - 20	71461-56B00	129 - 3
64520-57B00	138 - 24		135 - 15	71461-60A00	128 - 4
64520-60A10	136 - 28	65981-56B00	140 - 5	71471-56B00	129 - 4
	137 - 20	65981-61A00	139 - 5	71471-60A00	128 - 5
64530-61 A00	137 - 22	65981-61A10	139 - 5		
	138 - 26	65982-56B00	141 - 4	71481-56B00	129 - 5
64541-61 A00	137 - 24	65995-60A01	134 - 17	71481-60A00	128 - 6
64550-62A20	136 - 32			71491-56B00	129 - 6
6461 1-56B00	138 - 29	65996-60A01	134 - 18	71511-56B00	129 - 7
64621-56B00	138 - 32	67700-63A20	184 - 1	71511-60A00	128 - 7
64631 -56B10	138 - 34	67730-85C00	184 - 2		
64641-56B10	138 - 36	68001-57B10	178 - 1	71512-60A10	128 - 8
		68001-66A10	175 - 1		129 - 8
64641-61A00	137 - 26			71513-60A00	128 - 9
64650-56B00	138 - 38	68002-57B10	178 - 2		129 - 9
64650-61A00	137 - 30	68002-66A10	175 - 2	71514-56B00	129 - 10
64710-56B11	138 - 40	68003-57B11	181 - 1		
64710-60A10	136 - 30	68004-57B11	181 - 2	71514-60A00	128 - 10
		69100-61A50	185 - 1	71515-60A00	128 - 11
64710-61A21	137 - 28				129 - 11
64760-56B00	138 - 42	69275-78200	171 - 13	71516-85C00	128 - 12
65110-56B20	141 - 1	69310-85C00	175 - 3		129 - 12
65110-60A00	136 - 34		178 - 3	71517-56B01	128 - 13
65111-56B00	140 - 1	69340-85C00	175 - 4		129 - 13
			178 - 4	71521-56B00	128 - 14
					129 - 14
				71632-83010	128 - 15

**70000**



PART NO.	FIG. NO. - REF. NO.	PART NO.	FIG. NO. - REF. NO.	PART NO.	FIG. NO. - REF. NO.
71700-63A00	129 - 15 142 - 1	72372-85C00	130 - 4 184 - 5	73250-77E01	148 - 14 149 - 13
71711-56B00-5PK	143 - 1	72411-60A01	132 - 4	73250-77E11	146 - 14
71711-56B20-799	143 - 1		133 - 4		147 - 13
71711-63A90-799	142 - 2	72421-60A00	132 - 28	73261-50G00	146 - 2
71720-56B10	143 - 2		133 - 26		147 - 2
71751-63A00	144 - 3	72422-60A10	133 - 27		148 - 2
71752-63A00	144 - 4	72431-60A02	130 - 5		149 - 2
71752-86000	144 - 2	72450-60A11	133 - 29	73271-77E00	147 - 14
71771-56B00	143 - 3	72471-60A00	132 - 29		149 - 14
71771-60A00	142 - 3		133 - 28	73311-77E00-5PK	146 - 3
71811-56B10-5PK	145 - 1	72481-85C00	131 - 7		147 - 3
71811-56B30-799	145 - 1	72482-85C00	131 - 8		148 - 3
71811-63A30-799	144 - 1	72485-60A00	132 - 30		149 - 3
71815-60A01	144 - 7		133 - 30	73410-77E00-5ES	146 - 8
71816-60A01	145 - 2 144 - 8 145 - 3	72491-60A00	132 - 34 133 - 38		147 - 8 148 - 8
71817-56B00-5PK	145 - 4	72511-85C00	132 - 35		149 - 8
71817-60A20	144 - 5	72511-86000	133 - 39	73423-50G00	146 - 9
		72512-82011	133 - 40	73423-50G00	147 - 9
71820-56B20	145 - 5		133 - 41		148 - 9
71820-63A11	144 - 9	72512-85C00	132 - 36		149 - 9
71827-56B10	145 - 6		133 - 40	73429-50G00	81 - 19
71828-56B10	145 - 7		133 - 41		161 - 13
71830-56B00	145 - 9	72512-85C10	132 - 37		161 - 16
71840-56B00	145 - 10	72810-85C00	169 - 1	73430-77810-5ES	86 - 4
71854-60A00	144 - 10	72820-85C00-2UN	169 - 9		146 - 10
71869-60A00	144 - 11	72850-60A11	184 - 6		147 - 10
72111-56B10	142 - 7 143 - 7	72893-60A10	184 - 10		148 - 10
		73111-77E00-5ES	148 - 1		149 - 10
72115-56B01	142 - 8 143 - 8		149 - 1	73461-77E00	146 - 15 147 - 15
72115-60A00	142 - 9 143 - 9	73111-77E10-5ES	146 - 1		148 - 15
72115-85C00	159 - 3	73170-50A00	156 - 15		149 - 15
		73210-77E00	149 - 12	73610-77E00-5PK	151 - 1
	160 - 3	73210-77E10	147 - 12		
	162 - 1	73225-77E00	147 - 43	73620-77E00-5PK	151 - 2
	162 - 2		149 - 43	73671-83000-5PK	151 - 3
	163 - 1	73231-77E00	146 - 12	73681-77E00	151 - 6
72121-56B00	142 - 10		148 - 12	73691-77E00	151 - 7
				73811-77E00-5ES	146 - 16
	143 - 10	73235-77E00	147 - 44		
72211-56B00	128 - 16 129 - 16		149 - 44		147 - 16 148 - 16
		73242-77E00	146 - 13		149 - 16
72281-56B00	145 - 16			73813-77E00-5ES	146 - 17
72311-60A00	133 - 36		148 - 13		147 - 17

PART NO.	FIG. NO. - REF. NO.	PART NO.	FIG. NO. - REF. NO.	PART NO.	FIG. NO. - REF. NO.	
73821-77E00-5ES	148 - 17	73937-77E00	147 - 45	74436-77E00	153 - 27	
	149 - 17		149 - 45		152 - 29	
	146 - 18	74100-64A20	153 - 1		153 - 28	
	147 - 18	74100-85C10	152 - 1		74441-70B00	152 - 30
	148 - 18	74111-85C10	152 - 2		152 - 30	
73822-77E00-5ES	149 - 18	74112-85C10	152 - 3	74450-64A00-5PK	153 - 29	
	146 - 19	74115-64A00	153 - 5		152 - 31	
	147 - 19	74115-85C00	152 - 5		153 - 30	
	148 - 19	74116-60A00	153 - 6		74456-64A00	152 - 33
	149 - 19	74116-85C00	152 - 6		153 - 32	
73856-82000	152 - 32	74120-64A00	153 - 11	74461-77E00-5ES	146 - 22	
	153 - 31	74120-85C10	152 - 12		147 - 22	
73861-77E00	146 - 20	74131-82000	154 - 10		148 - 22	
	147 - 20		155 - 5		149 - 22	
	148 - 20	74133-82000	202 - 7		74470-77E00	152 - 34
73871-77E00-5ES	149 - 20	74133-85C00	152 - 7	74511-77E00	153 - 33	
	146 - 21		154 - 4		74511-77E00	152 - 35
	147 - 21	74135-82000	155 - 7		74511-77E00	153 - 34
	148 - 21	74151-85C00	152 - 8		74512-77E00	153 - 35
	149 - 21		154 - 5		74512-77E10	152 - 36
73880-77E00	146 - 34	74152-85C00	152 - 9	74513 77E20	153 - 36	
	147 - 38	74161-85C00	152 - 10		74513-77010	152 - 37
	148 - 34	74172-80000	206 - 13		74514-77E00	152 - 38
	149 - 38	74190-85C10	152 - 23			153 - 37
	73892-77E00	146 - 35	74199-60A00		153 - 12	74541-60E00
73910-77E00-5ES	147 - 39	74200-60A01	155 - 1	74615-60A00	153 - 38	
	148 - 35	74200-85C31	154 - 1		74620-60A00	151 - 8
	149 - 39	74211-85C00	154 - 2		74620-60A00	153 - 41
	73911-62A20-5ES	74212-85C00	154 - 3		74620-60A10	152 - 41
		74231-60A10	155 - 13		74621-77E00	151 - 9
73911-62A30-5ES	156 - 2	74231-85C00	154 - 9	74621-77E10	151 - 9	
73915-60A00	156 - 18	74250-60A00	155 - 14	74631-60A10	151 - 10	
73921-56B00-5ES	156 - 6	74250-85C00	154 - 10	74632-60A00	151 - 11	
73921-60A10-5ES	156 - 6	74261-60A10	155 - 15	74633-60A00	151 - 12	
73921-77E00	150 - 1	74261-85C00	154 - 11	74812-82030	152 - 24	
73922-56B00-5ES	156 - 12	74268-85C00	154 - 13	74813-82000	153 - 23	
73922-60A10-5ES	156 - 12	74269-85C00	154 - 14		199 - 46	
73922-77E00-5ES	150 - 2	74271-85C00	154 - 15		203 - 43	
73 923-56B00	156 - 16	74290-60A01	155 - 20		74814-82000	199 - 47
73931-60A00	156 - 3	74290-85C00	154 - 18		203 - 44	
73931-60A10	156 - 4	74299-85C00	154 - 19	74911-64A00	151 - 15	
73932-60A10	156 - 5	74316-85500	206 - 9	75140-56B00-5FE	161 - 1	
73933-56B00	156 - 7	74400-85C10	152 - 27	75140-60A00-5FE	160 - 4	
73933-60A00	156 - 7		153 - 26	75140-60A10-5FE	159 - 4	
73934-60A00	156 - 8	74431-64A00-5PK	152 - 28	75150-56B00-5FE	161 - 2	

PART NO.	FIG. NO. - REF. NO.	PART NO.	FIG. NO. - REF. NO.	PART NO.	FIG. NO. - REF. NO.
75150-60A00-5FE	160 - 5		149 - 49	76221-61A30-5ES	160 - 23
75150-60A10-5FE	159 - 5	75970-77E10	147 - 50	76231-56B00-5ES	161 - 25
75160-57B30-5EK	158 - 1		149 - 50	76231-60A40-5ES	159 - 24
75160-63A30-5EZ	157 - 1	75980-77E00	149 - 51	76231-61A30-5ES	160 - 24
75160-64A10-5EZ	157 - 1	75980-77E10	147 - 51	76240-60A10-5ES	161 - 28
75160-64A30-5EZ	157 - 1	76110-56B10-5FE	161 - 3		161 - 29
75170-60A00	157 - 5	76110-66A00-5FE	159 - 6	76240-85C10-5ES	159 - 26
75170-61A00-5FB	157 - 4	76110-67A10-5FE	160 - 6		160 - 29
75180-56B00-P47	158 - 3	76110-67A50-5FE	159 - 6	76251-56B00-5ES	161 - 30
75180-60A21-6MA	157 - 3	76110-85C30-5ES	159 - 6	76251-85C80-5ES	160 - 30
75180-85C20-6MA	157 - 3		160 - 6	76261-56B00-5ES	161 - 31
75191-56B00	157 - 6	76111-56B00-5ES	161 - 5	76261-85C80-5ES	160 - 31
	158 - 4	76120-56B10-5FE	161 - 4	76271-60A10-5ES	159 - 32
75210-56B11	157 - 8	76120-66A00-5FE	159 - 7	76281-60A30	159 - 18
	158 - 6	76120-67A10-5FE	160 - 7		159 - 20
75210-56B21	157 - 8	76120-67A50-5FE	159 - 7		160 - 18
	158 - 6	76120-85C30-5ES	159 - 7		160 - 20
75221-77E00	157 - 10		160 - 7		160 - 26
	158 - 8	76121-56B00-5ES	161 - 6		161 - 19
75270-56B01	130 - 14	76131-56B00-5ES	161 - 11		161 - 21
75511-61A00	162 - 3	76131-60A30-5ES	159 - 10		161 - 23
	163 - 2		160 - 10		161 - 26
75512-56B00	163 - 3	76141-56B00-5ES	161 - 12	76282-60A30	159 - 25
75512-60A10	162 - 4	76141-60A30-5ES	159 - 11		160 - 27
75611-60A01	162 - 6		160 - 11	76283-60A30-5ES	159 - 22
	163 - 5	76151-60A30-5ES	159 - 12		159 - 34
75711-60A01	162 - 7		160 - 12		159 - 34
	163 - 6	76152-56B00-5ES	161 - 14	76283-61A30	160 - 25
75930-77E20	148 - 39	76153-56B00-5ES	161 - 15	76292-56B00-5ES	161 - 9
75930-77E30	146 - 39	76161-60A30-5ES	159 - 13	76293-56B00-5ES	161 - 10
75930-77E40	149 - 46		160 - 13	76311-56B00-5ES	161 - 33
75930-77E50	147 - 46	76171-56B01-5ES	161 - 17	76311-62A20-5ES	159 - 27
75957-77E00	82 - 25	76171-60A31-5ES	159 - 16	76321-56B00-5ES	161 - 34
	83 - 24	76171-61A31-5ES	160 - 16	76321-62A20-5ES	159 - 28
75958-77E00	146 - 40	76181-56B01-5ES	161 - 18	76331-56B10-5ES	161 - 35
	147 - 23	76181-60A32-5ES	159 - 17	76331-60A00	159 - 30
	147 - 24	76181-61A31-5ES	160 - 17	76341-56B10-5ES	161 - 36
	147 - 47	76191-56B00-5ES	161 - 20	76341-60A00	159 - 31
	147 - 48	76191-85C30-5ES	159 - 19	76351-56B00-5ES	161 - 38
	147 - 49	76191-85C80-5ES	160 - 19	76361-56B00-5ES	161 - 39
	148 - 40	76211-56B00-5ES	161 - 22	76371-56B00-5ES	161 - 42
	149 - 23	76211-85C30-5ES	159 - 21	76381-56B00-5ES	161 - 43
	149 - 24	76211-85C80-5ES	160 - 21	76400-61831-5ES	160 - 40
	149 - 47	76221-56B00-5ES	161 - 24		161 - 53
	149 - 48	76221-60A40-5ES	159 - 23	76411-60A00	162 - 12

PART NO.	FIG. NO. - REF. NO.	PART NO.	FIG. NO. - REF. NO.	PART NO.	FIG. NO. - REF. NO.
76431-77E01	148 - 41	77512-56B01-5PK	168 - 6		180 - 19
76431-77E10	146 - 41	77512-61A01-5PK	167 - 7		183 - 19
76431-77E21	149 - 52	77513-56B00	168 - 8	77712-60A00-31R	165 - 4
76431-77E30	147 - 52	77515-61A10-5PK	167 - 6	77713-85C00-31R	165 - 5
76451-56B01	146 - 42	77517-61A00	167 - 9	77811-60A00-OPG	165 - 1
	147 - 53		168 - 9	77823-60A00-G78	165 - 2
	148 - 42	77522-56B01-5PK	168 - 7	77831-85C00-31R	165 - 3
	149 - 53	77522-61A01-5PK	167 - 8	77861-60A00-G79	165 - 6
76481-61A00	162 - 13	77531-56B00-5PK	168 - 11	78110-56B00-6NG	161 - 46
76510-60A00	164 - 1	77531-60A10-5PK	166 - 4	78110-56B10-6NG	161 - 46
76520-60A00	164 - 3		167 - 11	78110-56B30-6NG	161 - 46
76531-60A20	164 - 7	77532-56B01-5PK	168 - 15	78110-61A00-5EF	160 - 33
76550-56B00	164 - 9	77532-60A10-5PK	166 - 7	78110-85C30-5EG	160 - 34
76550-60A00	164 - 9		167 - 14	78121-61A00	160 - 36
76550-85C60	164 - 9	77534-60A10	166 - 11		161 - 49
76561-60A00	82 - 41		167 - 18	78199-78000	177 - 12
	83 - 41	77535-60A10	166 - 13		180 - 9
	164 - 10		167 - 20		183 - 10
	164 - 10	77536-56B00-5PK	168 - 13		184 - 19
	164 - 10	77536-60A10-5PK	166 - 6		186 - 18
	164 - 10		167 - 13	78310-60A52-PRB	173 - 1
77110-61A10	162 - 16	77537-60A10-5PK	166 - 9	78310-60A52-PRW	173 - 1
77111-56B00-OCE	163 - 11		167 - 16	78320-60A52-PRB	173 - 5
77118-60B02	164 - 8	77541-56B00-5PK	168 - 12	78320-60A52-PRW	173 - 5
77120-61A10	162 - 17	77541-60A10-5PK	166 - 5	78381-60A00	173 - 2
77121-56B00-OCE	163 - 12		167 - 12	78382-60A00	173 - 3
77131-60A10	162 - 14	77542-56B01-5PK	168 - 16	78389-60A00	173 - 4
	163 - 14	77542-60A10-5PK	166 - 8	78399-60A00	173 - 6
77132-60A00	162 - 15		167 - 15	78410-60A11	173 - 7
	163 - 15	77544-60A10	166 - 12	78421-60A02	173 - 8
77151-64A00	170 - 1		167 - 19	78422-60A02	173 - 9
77161-60A00	170 - 2	77545-60A10	166 - 14	78432-60A00	173 - 53
			167 - 21	78441-60A00	173 - 10
77162-60A00	170 - 3	77546-56B00-5PK	168 - 14	78442-60A02	173 - 12
77165-60A11	170 - 4	77551-56B11-5PK	168 - 20	78443-60A01	173 - 14
77166-60A01	170 - 5	77552-56B11-5PK	168 - 22	78444-60A01	173 - 16
77167-60A01	170 - 6	77553-56B11-5PK	168 - 24	78446-60A00	173 - 17
77170-60A00	170 - 7	77561-56B11-5PK	168 - 21	78447-60A00	173 - 19
77173-56B00-OCE	168 - 26	77562-56B11-5PK	168 - 23	78451-60A00	173 - 11
77311-60A00-5PK	166 - 1	77563-56B11-5PK	168 - 25	78452-60A02	173 - 13
	167 - 1	77571-56B00-5PK	167 - 4	78453-60A01	173 - 15
	168 - 1		168 - 4	78456-60A00	173 - 18
77312-60A00-5PK	166 - 2	77575-56B00-5PK	167 - 5	78457-60A00	173 - 20
	167 - 2		168 - 5	78461-60A00	173 - 25
	168 - 2	77591-75000	177 - 18	78462-60A00	173 - 26

PART NO.	FIG. NO. - REF. NO.	PART NO.	FIG. NO. - REF. NO.	PART NO.	FIG. NO. - REF. NO.
78463-78000	176 - 19 179 - 16 182 - 15	78743-56B00	174 - 45	82200-60841	177 - 7
78471-60A00	173 - 27	78762-56B00	174 - 3		180 - 4
78472-60A00	173 - 28	78764-56B00	174 - 9		86 - 6
		78765-56B00	174 - 15		177 - 8
		78766-56B00	174 - 18		180 - 5
78510-60A02	173 - 29	78767-56B00	174 - 21	82201-56B00	180 - 1
78518-60A01	173 - 30	78773-56B00	174 - 28	82201-58B00	180 - 1
78520-60A00	173 - 31	78791-56B00	174 - 46	82201-65A00	177 - 1
78530-60A00	173 - 32	78792-56B00	174 - 47	82201-66A00	177 - 3
78532-60A00	173 - 33	78811-56B00	174 - 49	82202-56B00	180 - 2
78533-60A00	173 - 34	78820-56B00-6NG	174 - 53	82202-58B00	180 - 2
78534-60A00	173 - 35	78832-56B00	174 - 54	82202-65A00	177 - 2
	173 - 39		174 - 55	82202-66A00	177 - 4
78540-60A00	173 - 36	78861-56B00	174 - 50	82277-60A00	177 - 9
78542-60A00	173 - 37	79161-85C10	99 - 10		180 - 6
78543-60A00	173 - 38	79171-50G70	101 - 6	82287-60A00	177 - 10
78553A60A00	173 - 41				180 - 7
78554-60A00	173 - 40				186 - 4
78555-60A00	173 - 52			82301-56B00	183 - 1
78711-56B00	174 - 1			82301-58B00	183 - 3
78712-56B00	174 - 2			82302-56B00	183 - 2
78713-56B00	174 - 6			82302-58B00	183 - 4
78714-56B00	174 - 8			82370-58B00	183 - 5
78715-56B00	174 - 14			82380-58B00	183 - 6
78716-56B00	174 - 17			82491-56B00	183 - 29
		<b>80000</b>			
78717-56B00	174 - 20	81411-62A00	171 - 8	82500-60821	86 - 7
78718-56B00	174 - 11	81416-62A00	171 - 9		184 - 13
78719-56B00-6NG	174 - 23	81430-61A00	171 - 11	82500-60831	86 - 7
78721-56B00	174 - 24	81451-80102	171 - 12		186 - 3
78722-56B00	174 - 26	81770-56B01-OCE	182 - 17	82530-60A10	184 - 11
78723-56B00	174 - 27	81780-56B01-OCE	182 - 18	82530-61A00	186 - 1
78725-56B00	174 - 29	81810-56B00	175 - 7	82550-57B00	186 - 8
78726-56B00	174 - 30		178 - 7	82577-61A00	184 - 14
78727-56B00	174 - 33	81830-56B00	181 - 9		186 - 5
78728-56B00	174 - 34	81831-70B00	175 - 8	82610-60A01	177 - 11
78729-56B00	174 - 35		178 - 8		180 - 8
78731-56B00	174 - 36		181 - 10		183 - 9
78732-56B00	174 - 37		184 - 7	82660-61A01	184 - 18
78733-56B00	174 - 38	81851-85C00	185 - 6		186 - 17
78734-56B00	174 - 39	81852-61A00	185 - 7	82711-56B00	178 - 10
78736-56B00	174 - 40	82110-77E00	130 - 9		181 - 12
	174 - 41	82110-77E10	130 - 9	82761-85C00	184 - 21
78738-56B00	174 - 42	82160-85C00	130 - 11		186 - 20
78740-56B00	174 - 43	82192-85C00	130 - 13	82810-56B00-Y27	180 - 11
78742-56B00	174 - 44	82200-60831	86 - 5	82810-56B00-Y33	180 - 11

PART NO.	FIG. NO. - REF. NO.	PART NO.	FIG. NO. - REF. NO.	PART NO.	FIG. NO. - REF. NO.
82810-56B00-OFT	180 - 11	83170-58B00	186 - 7	83719-57B00	178 - 19
82810-56B00-26U	180 - 11	83170-62A00	186 - 6	83721-61A00	175 - 18
82810-56B00-5PK	180 - 11	83175-85C00	186 - 11	83722-61A00-5ES	175 - 15
82810-85C00-799	177 - 14	83190-60A10	184 - 15		178 - 13
82816-60A00	180 - 13	83190-62A00-5ES	186 - 12	83723-61A00-5ES	175 - 17
	183 - 14	83195-85C00	184 - 17		178 - 18
82817-60A00	180 - 14	83240-56B01	183 - 25		181 - 18
82820-56B00-Y27	180 - 12	83250-56B01	183 - 26	83729-50E00	181 - 22
82820-56B00-Y33	180 - 12	83261-56B00	183 - 27	83730-60A10-5FE	175 - 11
82820-56B00-OFT	180 - 12	83271-50E00	183 - 28	83739-57B00	178 - 20
82820-56B00-26U	180 - 12	83271-63D10	180 - 25	83740-56B10-5FE	181 - 13
82820-56B00-5PK	180 - 12	83401-57B00	179 - 11	83741-61A00	175 - 19
82820-85C00-799	177 - 15	83401-62A00	176 - 15	83749-57B00	181 - 19
82828-56B00	180 - 1	83402-57B00	179 - 12	83760-56B10-5FE	181 - 14
	183 - 1	83402-62A00	176 - 16	83769-57B00	181 - 20
82830-56B00-Y27	183 - 12	83410-56B00	179 - 9	83770-62A00-5FE	185 - 10
82830-56B00-Y33	183 - 12	83410-60A00	176 - 13	83795-60A00-5ES	175 - 12
82830-56B00-OFT	183 - 12	83440-56B00	179 - 10		178 - 15
82830-56B00-26U	183 - 12	83440-60A00	176 - 14		181 - 15
82830-56B00-5PK	183 - 12	83501-57B00	182 - 12	83810-56B00	179 - 6
82840-56B00-Y27	183 - 12	83502-57B00	182 - 13	83810-65A00	176 - 21
82840-56B00-Y33	183 - 13	83510-56B00	182 - 10	83812-60A00	176 - 23
82840-56B00-OFT	183 - 13	83540-56B00	182 - 11		179 - 8
82840-56B00-26U	183 - 13	83610-85C00	176 - 3		179 - 20
82840-56B00-5PK	183 - 13	83620-85C00	176 - 4		182 - 9
82850-85C00-799	184 - 23	83660-56B00	179 - 3		182 - 27
	186 - 22	83660-60A00	176 - 7	83820-56B00	179 - 7
82960-82001-5ES	176 - 18	83662-60A00	176 - 9	83820-65A00	176 - 22
	179 - 15		179 - 5	83830-56B02	182 - 7
82960-82001-5RT	182 - 14	83671-56B00	182 - 4	83840-56B02	182 - 8
82972-82101-5ES	176 - 20	83672-56B00	182 - 5	83850-56B00	179 - 18
	179 - 17	83680-56B00	179 - 4	83850-60A0Q	176 - 10
	182 - 16	83680-60A00	176 - 8	83852-60A00	176 - 12
82973-60A01-5PK	177 - 17	83691-60A00	176 - 6	83860-56B00	179 - 19
	180 - 18	83701-56B10-5FE	178 - 11	83860-60A00	176 - 11
	183 - 18	83701-68A10-5FE	175 - 13	83870-56B00	182 - 25
82981-82000-5PK	186 - 15	83701-77E10-5FE	178 - 16	83880-56B00	182 - 26
83110-56B01-5ES	180 - 20	83701-85C20	175 - 13	83900-60820	169 - 8
83110-85C00-5ES	177 - 19	83702-56B10-5FE	178 - 12	83911-60X50	175 - 21
83119-60F00	180 - 22	83702-68A10-5FE	175 - 14		178 - 22
	183 - 22	83702-77E10-5FE	178 - 17		181 - 23
83130-56B01-5ES	180 - 21	83702-85C20	175 - 14		184 - 9
83130-85C00-5ES	177 - 20	83703-77E10-5FE	181 - 16		185 - 12
83140-56B01-5ES	183 - 20	83704-77E10-5FE 1	81 - 17	83914-85C00	185 - 13
83160-56B01-5ES	183 - 21	83710-60A10-5FE	175 - 10	83940-61A00-5PK	185 - 15

PART NO.	FIG. NO. - REF. NO.	PART NO.	FIG. NO. - REF. NO.	PART NO.	FIG. NO. - REF. NO.
83942-85C00	185 - 16	84641-56B00	178 - 31	84702-57B30-Y27	188 - 4
83960-85C00	169 - 5	84641-65A01	175 - 30	84702-57B30-Y29	188 - 4
84450-82000-5ES	175 - 22	84651-56B00	178 - 32	84702-57B30-Y33	188 - 4
	178 - 23	84651-65A01	175 - 31	84702-57B30-Z01	188 - 4
	181 - 25	84661-56B01	181 - 33	84702-57B30-OFT	188 - 4
84481-68A00-5ES	175 - 25	84665-56B00	182 - 23	84702-57B30-26U	188 - 4
	178 - 26	84671-56B01	181 - 34	84702-61A20-5PK	187 - 4
	181 - 28	84671-61A00-5PK	171 - 16	84702-61A30-Y27	187 - 4
84482-68A00	175 - 27	84671-62A00-5PK	171 - 16	84702-61A30-Y28	187 - 4
84482-77E00	178 - 28	84675-56B00	182 - 24	84702-61A30-Y29	187 - 4
	181 - 30	84681-61A01-5PK	185 - 21	84702-61A30-Z01	187 - 4
84491-61A10-5ES	160 - 38	84691-56B00-5PK	172 - 8	84702-61A30-ODG	187 - 4
	161 - 51	84692-56B00-5PK	172 - 9	84702-61A30-OFT	187 - 4
84515-85C00	170 - 8	84695-56B00-5PK	172 - 10	84702-61A30-26U	187 - 4
	171 - 1	84701-56B20-5PK	188 - 1	84702-61A20-5PK	187 - 4
	172 - 1	84701-56B30-Y27	188 - 1	84702-62A20-5PK	187 - 4
84531-61A30	176 - 1	84701-56B30-Y29	188 - 1	84703-62A01-5PK	188 - 10
84531-86C00	179 - 1	84701-56B30-Y33	188 - 1	84703-85C10-5PK	187 - 10
84536-85C00	176 - 2	84701-56B30-Z01	188 - 1		188 - 10
84536-86C00	179 - 2	84701-56B30-OFT	188 - 1	84720-61A00	187 - 2
84541-86C00	182 - 1	84701-56B30-26U	188 - 1		188 - 2
84546-86C00	182 - 2	84701-57B20-5PK	188 - 1	84720-61A10	187 - 2
84551-86C00	182 - 21	84701-57B30-Y27	188 - 1		187 - 2
84556-86C00	182 - 22	84701-57B30-Y29	188 - 1		188 - 2
84561-85C10	171 - 6	84701-57B30-Y33	188 - 1	84750-57BOO-5PK	188 - 8
84561-86C10	172 - 6	84701-57B30-Z01	188 - 1	84750-85COO-5PK	187 - 8
84566-85C10	171 - 7	84701-57B30-OFT	188 - 1	84760-61A00	187 - 5
84566-86C00	172 - 7	84701-57B30-26U	188 - 1		188 - 5
84575-85C00	185 - 14	84701-61A20-5PK	187 - 1	84760-61A10	187 - 5
84611-56B00-5PK	170 - 11	84701-61A30-Y27	187 - 1		188 - 5
	171 - 4	84701-61A30-Y28	187 - 1	84761-50X50	173 - 54
	172 - 4	84701-61A30-Y29	187 - 1	84781-60A00-5PK	188 - 12
84616-61A00-5PK	170 - 12	84701-61A30-Z01	187 - 1	84781-85C00	187 - 12
	171 - 5	84701-61A30-ODG	187 - 1	84782-60A00	188 - 11
	172 - 5	84701-61A30-OFT	187 - 1	84782-85C00	187 - 11
84617-61A10	170 - 9	84701-61A30-26U	187 - 1		188 - 11
84617-61A10	171 - 2	84701-62A20-5Pk	187 - 1	84790-57BOO-5PK	188 - 9
	172 - 2	84702-56B20-5PK	188 - 4	84790-85COO-5PK	187 - 9
84618-85C00	170 - 10	84702-56B30-Y27	188 - 4	84800-60811-2WE	187 - 14
	171 - 3	84702-56B30-Y29	188 - 4		188 - 14
	172 - 3	84702-56B30-Y33	188 - 4	84800-60811-5UN	187 - 14
84621-61A00-5PK	185 - 17	84702-56B30-Z01	188 - 4		188 - 14
84622-56B00-5PK	185 - 18	84702-56B30-OFT	188 - 4	84800-60821-2WE	187 - 15
84626-61A00-5PK	185 - 19	84702-56B30-26U	188 - 4		188 - 15
84627-61A00-5PK	185 - 20	84702-57B20-5PK	188 - 4	84800-60821-5UN	187 - 15

PART NO.	FIG. NO. - REF. NO.	PART NO.	FIG. NO. - REF. NO.	PART NO.	FIG. NO. - REF. NO.
84800-60841-5UN	188 - 15 187 - 15	85180-86C00-TX4	193 - 2	86370-78000-281	159 - 36
84800-60851-5UN	188 - 15 187 - 14 188 - 14	85198-70E00	192 - 36	86401-60A10-5GF	160 - 42
		85210-60A50	192 - 5	86401-86C00-T95	192 - 18
		85210-61A10	193 - 5 192 - 5	86401-86C20-T95	193 - 18 196 - 24
84800-69810-5UN	187 - 14 188 - 14	85211-60A10-5ES	192 - 6	86610-56B50	193 - 27
84800-69820-5UN	187 - 15 188 - 15	85221-60A10-5ES	193 - 6 192 - 10	86610-70E00	192 - 28 193 - 28
84851-60BOO-5ES	187 - 16	85222-56B10-5ES	193 - 10 193 - 12	86610-70E10	192 - 28
				86615-85C00	192 - 37
84901-57B70-5FJ	188 - 16 198 - 1	85222-60A10-5ES	192 - 12		193 - 33
84901-85C20	197 - 1	85291-80290	192 - 14	86630-56B10	192 - 33
84901-85C30	197 - 1		193 - 14	86724-60A00	192 - 29
84902-57B70-5FJ	198 - 2	85305-85C00	192 - 3		193 - 29
		85305-86C00	193 - 3	86726-85C00	192 - 32
84902-85C20	197 - 2	85306-85C00	192 - 21		193 - 32
84902-85C30	197 - 2	85306-86C00	193 - 21	86731-56B00	193 - 30
84904-57B60-5FJ	198 - 6	85341-72C10-5PK	193 - 16	86731-60A00	192 - 30
84904-57B70-5FJ	198 - 6		196 - 25	86735-70E00	192 - 38
84904-85C00	197 - 4	85380-85C00-TX2	192 - 4		193 - 38
84904-85C10	197 - 5		192 - 22	86736-70E00	192 - 39
84904-85C30	197 - 5	85380-85C00-TX1	192 - 4		193 - 39
84905-57B60-5FJ	198 - 7		192 - 22	86810-56B50	193 - 34
84905-57B70-5FJ	198 - 7	85380-86C00-TX4	193 - 4	86810-70E00	192 - 34
84905-85C10	197 - 6		193 - 22		193 - 35
84905-85C30	197 - 6	85391-60A10-5PK	192 - 16	86810-70E10	192 - 34
84906-56B41-5FJ	198 - 8	85451-75100	190 - 19	86830-56B10	192 - 27
84924-56B10	198 - 4		191 - 19	87105-56BA1	195 - 1
84924-63A10	197 - 3	85680-85C00-TX2	192 - 20	87105-56BB1	196 - 1
84925-56B10	198 - 5	85680-85C00-TX1	192 - 20	87105-85C00	194 - 1
84925-61A10	197 - 15	85680-86C00-TX4	193 - 20	87106-85C00	194 - 17
84926-61A10	197 - 16	85710-60A50	192 - 23	87144-60A10	194 - 24
84955-85C10-5ES	197 - 11		193 - 23	87180-85C00-TX3	194 - 2
84956-85C10-5ES	197 - 12	85710-61A10	192 - 23	87180-85C00-TX1	194 - 2
84958-60A10	197 - 9	85711-60A10-5ES	192 - 24	87180-86C00-TX5	195 - 2
84966-85C10-5ES	197 - 13		193 - 24	87180-86C00-TX4	196 - 2
84990-60B00-5ES	198 - 3	85721-60A10-5ES	192 - 25	87191-56B11-5PK	195 - 3
84991-70E00-5ES	197 - 17		193 - 25		196 - 3
84992-50E00-5ES	197 - 18	85722-56B10-5ES	193 - 26	87191-60A51-5PK	194 - 6
85105-85C00	192 - 1	85722-60A10-5ES	192 - 26	87196-83000	195 - 6
85105-86C00	193 - 1				196 - 6
85106-85C00	193 - 19	85840-72C10-5PK	193 - 1	87198-56B10	195 - 4
85106-86C00	192 - 19		196 - 26		196 - 4
85180-85C00-TX2	192 - 2	85890-60A10-5PK	192 - 1	87199-56B10	195 - 12
85180-85C00-TX1	192 - 2	86124A63010	187 - 19		196 - 12
		86311-58300-5ES	175 - 22		196 - 12



PART NO.	FIG. NO. - REF. NO.	PART NO.	FIG. NO. - REF. NO.	PART NO.	FIG. NO. - REF. NO.
87210-56B10	196 - 17	87399-60A10	194 - 55	89260-65AB0	190 - 4
87210-56B50	195 - 17	87495-56B10-5PK	195 - 29		191 - 4
87210-60A12-5PK	194 - 11		196 - 38	89280-60A00	190 - 12
87211-60A10-5PK	194 - 14	87580-85C00-TX3	194 - 18		191 - 12
	195 - 24	87580-85C00-TX1	194 - 18	89285-82000	190 - 6
	196 - 27	87591-60A51-5PK	194 - 19		191 - 6
87221-56B10-5PK	195 - 20	87610-56B10	196 - 18	89285-85C00	190 - 13
	196 - 20	87610-56B50	195 - 18		191 - 13
87221-60A10-5PK	194 - 15	87610-60A12-5PK	194 - 22	89291-56B00	191 - 10
87230-56B50	195 - 38	87621-56B10-5PK	195 - 21	89300-60802	86 - 8
	195 - 39		196 - 21		86 - 8
87233-85720	195 - 41	87621-60A10-5PK	194 - 23		190 - 31
87236-85720	195 - 8	87780-85C00-TX3	194 - 21		191 - 31
87250-56B10	196 - 8	87780-85C00-TX1	194 - 21	89310-56B10	191 - 29
	195 - 9	87780-86C00-TX4	196 - 33	89311-66A10	190 - 29
	196 - 9	87789-56B11	196 - 34		190 - 30
87264-56B10-5PK	195 - 33	87799-56B10	196 - 36	89316-85C00	191 - 2
	196 - 42	87799-60A10	194 - 56	89320-56B00	190 - 2
87270-56B10	195 - 25	87810-60A52	194 - 34	89320-85C00	190 - 11
	196 - 28	87820-60A53	194 - 35	89371-85C00	191 - 11
	194 - 28	87831-56B10	195 - 36		190 - 9
87270-60A52	194 - 25		196 - 45	89372-85C00	191 - 9
87277-60A10	194 - 29	87831-60A10-5PK	194 - 41	89411-60A01	190 - 15
87278-60A11	194 - 31	87834-60A10-5PK	194 - 43		191 - 15
87279-60A11	195 - 11	87835-60A10-5PK	194 - 45	89430-56B00	191 - 25
	196 - 11		194 - 36		190 - 25
87291-60A10	194 - 3	87836-60A00-5PK	194 - 49	89430-61A10	190 - 20
87292-60A30	195 - 15	87840-60A10	197 - 7	89485-60A00	191 - 20
	196 - 15	87850-60A50	197 - 8	89485-60A00	190 - 18
87292-65C10	195 - 14	87860-60A50	195 - 34	89495-85C00	191 - 18
	196 - 14	87890-56B10	196 - 43		190 - 24
87299-56B10-5PK	196 - 37	87890-60A11	194 - 50	89496-85C00	191 - 24
87299-60A10	194 - 57	87910-60A52	194 - 37	89810-50G00-5PK	146 - 50
87305-56B11	196 - 22	87920-60A53	194 - 38		147 - 70
87305-56B51	195 - 22	87931-60A10-5PK	194 - 46		148 - 50
	194 - 9	87934-60A10-5PK	194 - 47		149 - 70
87305-85C00	196 - 32	87935-60A10-5PK	194 - 48	89813-60E00	146 - 51
87306-56B10	194 - 20	87936-60A00-5PK	194 - 39		147 - 71
87306-85C00	195 - 26	87940-85C00	194 - 52		148 - 51
87327-83000	196 - 29	89101-57B11	191 - 1		149 - 71
	194 - 10	89101-85C00	190 - 1		146 - 52
87380-85C00-TX3	194 - 10	89201-85C00	190 - 5	89819-60E01	147 - 72
87380-85C00-TX1	195 - 23		191 - 5		148 - 52
87380-86C00-TX5	196 - 23	89241-56B00	191 - 8		149 - 72
87380-86C00-TX4	196 - 35	89241-85C00	190 - 8	89820-56B00-5ES	156 - 19

PART NO.	FIG. NO. - REF. NO.	PART NO.	FIG. NO. - REF. NO.	PART NO.	FIG. NO. - REF. NO.
89820-60A00-5ES	159 - 38 160 - 44	95212-64A51	201 - 12	95481-60A50	202 - 10
89931-85C00	189 - 2	95213-60A51	201 - 11	95482-60A00	206 - 10
89960-85C10	189 - 4	95215-82000	201 - 18	95491-60A50	199 - 43
89968-85C00	189 - 1	95216-82000	201 - 15	95526-50G10	199 - 37
		95230-82117	201 - 1		203 - 28
		95251-82116	201 - 2	95527-70CA0	205 - 3
		95254-82000	201 - 3	95531-59B00	204 - 1
		95258-82010	201 - 4	95531-59B51	200 - 1
		95259-82001	201 - 5	95533-59B00	204 - 2
		95260-82002	201 - 7	95533-68A00	204 - 2
		95261-70B00	205 - 1	95534-77E00	200 - 5
		95262-70B00	205 - 4	95571-60A50	200 - 10
		95271-82000	201 - 9	95571-86400	204 - 10
		95291-70B00	205 - 5	95573-60A50	200 - 4
		95299-82006	201 - 20	95575-60A11	204 - 11
<b>90000</b>		95310-58B00	203 - 12	95575-60A50	200 - 11
95000-58BC0	203	95310-58B50	199 - 23	95576-73A00	200 - 6
95000-59BB0	199	95310-67A01	203 - 12		204 - 3
95000-66A01	203	95310-67A50	199 - 23	95581-60A12	204 - 9
95000-67A21	199	95320-55X51	203 - 13	95581-60A51	200 - 9
95000-67A31	199				
95000-68AD0	203	95320-57B51	199 - 24	95583-67A50	200 - 3
95000-68AM0	199		203 - 13	95584-67A00	204 - 1
95110-56B00	203 - 2	95320-67A41	199 - 24	95584-67A50	200 - 1
95110-56B51	199 - 2	95330-71B20	199 - 32	95585-60A00	204 - 7
95112-60A00	203 - 4	95330-72B00	203 - 25	95585-60A50	200 - 2
95120-56B50	199 - 4	95400-67A00	203 - 37	95710-67A00	203 - 45
95120-57B00	203 - 4		206	95710-67A50	199 - 55
95120-57B50	199 - 4	95400-67A50	199 - 41	95720-67A00	203 - 9
95130-57B10	203 - 3		202	95720-67A50	199 - 15
95130-57B50	199 - 3	95410-67A00	206 - 3	95720-68A00	203 - 9
95141-57B50	199 - 14	95410-67A50	202 - 3	95720-68A50	199 - 15
95141-57B60	199 - 14	95421-60A01	206 - 1	95731-67A50	199 - 48
95141-60G50	203 - 8	95421-60A51	202 - 1	95732-67A01	203 - 35
95141-85C60	199 - 14	95422-60A01	206 - 2	95732-67A50	199 - 36
95200-67A50	199 - 1	95422-60A50	202 - 2	95733-67A00	203 - 22
	201	95431-67A50	202 - 4	95733-67A50	199 - 28
95200-67A60	199 - 1	95431-70C50	206 - 4	95734-67A00	203 - 27
	201	95451-78041	206 - 5	95739-67A50	202 - 11
95200-70CB0	203 - 1	95452-50F01	202 - 6	95765-83000	199 - 54
	205		206 - 6	95771-60A00	206 - 11
95210-60A51	201 - 10	95461-63B70	202 - 5	95772-57B01	203 - 18
95210-64A02	205 - 2	95463-60B50	206 - 7	95772-57B50	199 - 19
95210-64A51	201 - 10	95471-60A50	202 - 8	95772-60A00	203 - 18
95211-82000	201 - 13	95480-67A00	203 - 40	95772-60A50	199 - 19
95212-60A51	201 - 12	95481-60A00	206 - 8	95772-70C51	203 - 19

PART NO.	FIG. NO. - REF. NO.	PART NO.	FIG. NO. - REF. NO.	PART NO.	FIG. NO. - REF. NO.
95772-82010	199 - 20		120 - 5	01500-08203	38 - 25
95773-57B50	199 - 52		120 - 7	01500-10163	7 - 14
95777-60A50	199 - 51	00000A00720	111 - 6		7 - 22
95779-60A00	203 - 41	00000A00721	111 - 1		8 - 14
95779-60A50	199 - 42	00000A00722	111 - 2		8 - 28
95781-60A00	203 - 31	00000A00723	111 - 3		9 - 14
95782-60A00	203 - 32	00000A00906	120 - 10	01500-10203	9 - 28
95891-50G00	199 - 30	00000A00922	115 - 20		7 - 13
	199 - 38		117 - 21		7 - 21
	203 - 23	00000A00931	154 - 9		8 - 13
	203 - 29	00000A00983	111 - 5		9 - 13
95895-50G00	203 - 36	00000A01069	189 - 5	01500-10303	7 - 5
	199 - 16	00000A01069-IN	189 - 5		7 - 7
	199 - 29	00000A01069-IT	189 - 5		7 - 16
	203 - 10	00000A01069-F	189 - 5		8 - 21
95896-50G00	199 - 49	00000A01069-D	189 - 5		9 - 21
	199 - 56	00000A01069-G	189 - 5		60 - 11
	203 - 46	00000A01204	71 - 3	01500-10403	8 - 16
95911-82000	199 - 9	00000A01205	71 - 6		9 - 16
95920-86400	199 - 26	00000A01215	173	01500-10803	7 - 24
	203 - 15	00000A01216	173		8 - 23
95930-60A50	199 - 34	01107-06206	14 - 18		9 - 23
95930-67A00	203 - 26	01107-10403	7 - 8	01514-06123	27 - 5
95955-72B00	199 - 57	01411-06123	6 - 3	01517-06102	27 - 24
	203 - 47		22 - 11	01550-06103	5 - 16
95981-60A50	200 - 7		23 - 12		6 - 13
95981-73A00	204 - 5	01411-06203	32 - 9		7 - 2
99611-60A00	157 - 11	01411-08203	31 - 6		33 - 17
	158 - 9	01411-10163	22 - 15		35 - 6
			23 - 16		36 - 6
		01421-06203	32 - 4		40 - 23
		01421-06303	20 - 21		47 - 15
		01421-06653	20 - 22		47 - 17
		01421-08163	68 - 16		48 - 12
			69 - 16		75 - 24
		01421-08203	17 - 12		82 - 11
		01421-08253	16 - 5		82 - 55
			17 - 5		83 - 10
			22 - 3		83 - 54
			23 - 3		83 - 112
<b>00000</b>					
00000A00085	75 - 13	01421-08353	17 - 6		84 - 3
00000A00236	120 - 3		23 - 6		84 - 54
00000A00283	111 - 4	01421-08553	17 - 17		84 - 66
00000A00715	33 - 3	01500-06253	5 - 11		85 - 3
00000A00718	120 - 4	01500-08163	206 - 14		85 - 51

PART NO.	FIG. NO. - REF. NO.	PART NO.	FIG. NO. - REF. NO.	PART NO.	FIG. NO. - REF. NO.
	90 - 12 105 - 14 106 - 14 122 - 3 123 - 3		199 - 44 199 - 53 203 - 14 203 - 17 203 - 21	01550-06453	118 - 10 199 - 18 199 - 31 4 - 21 37 - 3
01550-06123	124 - 3 134 - 19 191 - 30 203 - 14 7 - 29	01550-06163	203 - 39 14 - 21 15 - 17 21 - 7 40 - 15	01550-06503 01550-06803 01550-08123	38 - 7 38 - 39 3 - 18 3 - 12 20 - 27
	21 - 22 28 - 5 28 - 28 29 - 5 29 - 30		65 - 41 75 - 22 146 - 48 147 - 68 148 - 48		35 - 8 36 - 8 58 - 19 61 - 26 63 - 28
	30 - 12 33 - 8 34 - 8 37 - 19 38 - 15	01550-06203	149 - 58 199 - 22 203 - 20 10 - 24 11 - 24		64 - 26 82 - 105 83 - 102 119 - 15 125 - 14
	40 - 25 44 - 9 82 - 57 82 - 102 83 - 56		14 - 22 15 - 18 33 - 5 34 - 5 199 - 33	01550-08163	125 - 14 142 - 5 143 - 5 20 - 17 20 - 25
	83 - 100 95 - 15 119 - 7 119 - 11 119 - 14	01550-06253	203 - 24 3 - 17 10 - 25 11 - 25 20 - 5		20 - 28 21 - 23 40 - 2 68 - 15 69 - 15
	132 - 5 132 - 33 133 - 5 133 - 33 133 - 34		21 - 8 21 - 10 31 - 9 116 - 6 118 - 6		115 - 23 117 - 24 147 - 28 147 - 67 149 - 28
	136 - 10 145 - 13 152 - 25 153 - 24 154 - 20	01550-06303	199 - 17 203 - 11 4 - 20 199 - 27 203 - 17		149 - 67 150 - 7 194 - 53 195 - 32 196 - 41
	155 - 24 174 - 4 199 - 21 199 - 27 199 - 35	01550-06353 01550-06403	31 - 10 203 - 30 115 - 5 116 - 10 117 - 5	01550-08203	197 - 10 37 - 33 43 - 16 47 - 11 58 - 4

PART NO.	FIG. NO. - REF. NO.	PART NO.	FIG. NO. - REF. NO.	PART NO.	FIG. NO. - REF. NO.
	66 - 28 68 - 13 69 - 13 105 - 10 105 - 11	01550-08403 01550-08453 01550-08503	69 - 7 40 - 11 30 - 2 67 - 7 68 - 3	01570-08123	118 - 17 199 - 25 84 - 28 84 - 28 85 - 27
	106 - 10 106 - 11 107 - 34 108 - 34 109 - 21	01550-08553 01550-08803 01550-10163 01550-10203	69 - 3 17 - 16 67 - 6 48 - 14 16 - 24	01570-08163	85 - 27 65 - 15 192 - 7 193 - 7 194 - 12
	110 - 21 199 - 6 199 - 7 203 - 6 203 - 6		17 - 22 22 - 17 23 - 18 37 - 15 40 - 21	01570-08203	194 - 13 195 - 19 196 - 19 92 - 8 102 - 4
01550-08253	203 - 6 16 - 3 16 - 4 17 - 3 17 - 11		42 - 26 44 - 17 105 - 9 106 - 9 194 - 51		125 - 4 128 - 22 129 - 21 144 - 13 144 - 14
	21 - 18 36 - 19 68 - 9 69 - 9 106 - 22	01550-10353 01550-10403	195 - 35 196 - 44 42 - 28 44 - 19 42 - 10	01570-08253	145 - 14 175 - 6 178 - 6 181 - 8 94 - 5
01550-08303	199 - 8 199 - 11 199 - 13 42 - 3 42 - 7	01550-10503 01550-10553 01550-10603 01550-10653	42 - 11 62 - 17 16 - 25 17 - 34 62 - 21	01570-08403 01570-10163	94 - 11 194 - 40 115 - 21 117 - 22 192 - 8
	61 - 11 67 - 5 68 - 6 69 - 6 199 - 7	01550-12253 01550-12653 01550-12753	14 - 2 15 - 2 42 - 20 44 - 11 42 - 21	01570-10203 01570-10303	193 - 8 62 - 16 103 - 17 104 - 17 8 - 5
01550-08353	14 - 8 15 - 9 17 - 4 22 - 6 24 - 9	01570-06103 01570-06123	44 - 12 87 - 3 88 - 3 107 - 8 108 - 8		8 - 7 9 - 5 9 - 7 62 - 11 96 - 10
	25 - 9 26 - 9 68 - 2 68 - 7 69 - 2		109 - 8 110 - 8 115 - 9 116 - 16 117 - 10	01570-10403 01570-10453	8 - 8 9 - 8 192 - 9 193 - 9 46 - 9

PART NO.	FIG. NO. - REF. NO.	PART NO.	FIG. NO. - REF. NO.	PART NO.	FIG. NO. - REF. NO.
01570-10853	128 - 23 129 - 22	02112-35123	18 - 6 18 - 10 18 - 19 146 - 28 146 - 29		83 - 8 130 - 12 136 - 41 137 - 35 138 - 47
01570-12353	103 - 6 103 - 7 104 - 6				
01580-06123	104 - 7 130 - 10		147 - 29 147 - 30		146 - 30 147 - 31
01580-06163	130 - 3 175 - 9 178 - 9		148 - 28 148 - 29 149 - 29		147 - 32 148 - 30 149 - 31
01580-06203	181 - 11 182 - 19 184 - 8	02112-35253	149 - 30 18 - 15		149 - 32 187 - 13
01580-06253	199 - 39	02112-35303	203 - 42	02142-05163	188 - 13
01580-08203	169 - 2	02112-36123	171 - 10		194 - 7
		02112-75163	100 - 3	02142-06103	82 - 21
01580-10253	8 - 18 8 - 19 8 - 27 9 - 18 9 - 19	02112-76123	176 - 5 176 - 17 179 - 13 179 - 14 182 - 3		82 - 115 83 - 20 83 - 112 139 - 6 140 - 6
01707-10253	9 - 27 169 - 6 7 - 18 7 - 19	02112-76123	182 - 6 184 - 16 186 - 9 186 - 10	02142-06123	141 - 5 20 - 14 85 - 46 143 - 6 142 - 6
02019-00000	7 - 5	02122-04083	94 - 21		
02112-04083	7 - 7 7 - 8 84 - 61 85 - 58	02122-04103	182 - 20		187 - 7 188 - 7
02112-05083	190 - 21	02122-06103	5 - 10	02142-06163	37 - 8 38 - 12 85 - 44
02112-05123	84 - 61 85 - 58 174 - 19	02122-06123	12 - 5 64 - 18		
02112-05203	174 - 13	02122-06163	43 - 18		
02112-05453	174 - 12	02122-06203	195 - 37 196 - 46		173 - 47 195 - 5 196 - 5
02112-06123	66 - 20 173 - 44	02122-56163	177 - 5 180 - 3 183 - 7	02162-06123	8 - 30
02112-06163	169 - 4 173 - 45	02142-04103	125 - 3		9 - 30 17 - 39 28 - 5 57 - 7 111 - 20
02112-06203	173 - 46	02142-04123	146 - 11 147 - 11 148 - 11 149 - 11		
02112-16163	87 - 16 88 - 16	02142-05083	190 - 16 191 - 16	02162-06163	112 - 20 145 - 18 149 - 68
02112-16203	20 - 3 21 - 4	02142-05103	59 - 8 171 - 14	03111-04123	155 - 22
		02142-05123	82 - 9	03111-05123	152 - 14

PART NO.	FIG. NO. - REF. NO.	PART NO.	FIG. NO. - REF. NO.	PART NO.	FIG. NO. - REF. NO.
03111-06253	153 - 13 160 - 39		166 - 15 167 - 22		156 - 9 164 - 2
03112-04083	161 - 52 174 - 7 174 - 16	03141-05163 03141-05203	168 - 18 79 - 10 80 - 10	03241-06163	186 - 13 175 - 28 178 - 29
03112-04163	76 - 12 77 - 12		173 - 50		181 - 31
03121-05163	202 - 9 177 - 21 180 - 23	03141-05303 03141-06123	161 - 45 146 - 49 147 - 69 148 - 49	03241-06253	175 - 23 178 - 24 181 - 26
03122-04163	183 - 23 162 - 18		149 - 69		197 - 14
03141-04083	174 - 31	03141-06163	162 - 5	03242-04083	174 - 25
03141-04123	186 - 16 81 - 18	03141-06203 03142-04253	163 - 4 66 - 26 81 - 6	03242-06163 03511-04103	131 - 11 80 - 9 187 - 3
03141-04123	175 - 16 175 - 26 178 - 14 178 - 27 181 - 29	03211-04083 03211-04163 03211-05103 03211-05163	174 - 32 79 - 4 194 - 42 80 - 4 102 - 12	03511-04163 03511-05123	187 - 6 188 - 3 188 - 6 81 - 10 144 - 15
03141-05083	201 - 19		187 - 18		173 - 23
03141-05123	90 - 6 146 - 5 146 - 31 146 - 36	03212-04123 03212-04169 03212-05253	188 - 17 174 - 5 81 - 14 142 - 14	03511-05163	152 - 40 53 - 40
	146 - 54 147 - 5 147 - 33 147 - 34 147 - 40	03222-04083 03241-04123	143 - 14 174 - 10 144 - 6 194 - 44 195 - 7	03541-04103 03541-04163	79 - 11 146 - 55
	147 - 74 148 - 5 148 - 31 148 - 36 148 - 54	03241-05103	196 - 7 90 - 14 156 - 11 156 - 11 160 - 37	03541-05103 03541-05123	147 - 75 148 - 55 149 - 75 206 - 12 82 - 39
	149 - 5 149 - 33 149 - 34 149 - 40 149 - 74	03241-05123			83 - 38 84 - 47 173 - 51 82 - 39 83 - 38
	150 - 3 151 - 13 161 - 27 161 - 32 161 - 37	03241-05125 03241-05163	161 - 50 125 - 9 192 - 11 192 - 13 193 - 11		84 - 31 85 - 30 146 - 6 146 - 7 146 - 32
		03241-06103 03241-06123	193 - 13 194 - 4 195 - 27 131 - 6 125 - 7		146 - 33 146 - 37 146 - 38 147 - 6 147 - 7

PART NO.	FIG. NO. - REF. NO.	PART NO.	FIG. NO. - REF. NO.	PART NO.	FIG. NO. - REF. NO.
	147 - 35 147 - 36 147 - 37 147 - 41 147 - 42		65 - 12 65 - 17 65 - 34 06111-10003 66 - 15 06111-12004 43 - 8		97 - 7 103 - 15 104 - 15 08310-00143 91 - 8 91 - 27
	148 - 6 148 - 7 148 - 3 148 - 3 148 - 3		66 - 11 07120-06123 6 - 9 07130-06163 13 - 5 07130-08253 201 - 6 08133-62067 61 - 29		08310-10083 153 - 25 154 - 11 155 - 25 08310-11066 32 - 10 08310-12083 112 - 10
03541-05163	148 - 3 149 - 6 149 - 7 149 - 35 149 - 36		08173-62100 65 - 18 08211-14221 66 - 8 08310-00063 58 - 8 107 - 12 107 - 32		08313-20083 87 - 8 88 - 8 08314-40123 103 - 19 103 - 30 104 - 19
	149 - 37 149 - 41 149 - 42 150 - 4 151 - 4		108 - 12 108 - 32 109 - 12 110 - 12 173 - 24		104 - 30 08314-40143 91 - 31 96 - 8 08316-10053 84 - 62 85 - 59
	151 - 5 151 - 14 156 - 13 156 - 17 03541-05203 75 - 15		08310-00083 22 - 4 23 - 4 23 - 7 58 - 11 122 - 27		155 - 23 08316-10063 6 - 4 15 - 19 20 - 23 20 - 31
03541-06253 04111-30208	48 - 17 96 - 9 103 - 20 103 - 31 104 - 20		123 - 25 124 - 25 201 - 17 08310-00103 7 - 3 8 - 3		21 - 26 22 - 12 23 - 13 32 - 5 38 - 36
04111-30308 04211-09109	104 - 31 91 - 32 10 - 26 11 - 26 31 - 11		9 - 3 61 - 34 62 - 19 96 - 21 96 - 24		68 - 18 69 - 18 76 - 8 77 - 8 84 - 4
04211-09149 04211-13149	43 - 15 42 - 2 42 - 9 67 - 4		103 - 9 104 - 9 107 - 27 164 - 6 08310-00123 91 - 7		84 - 55 85 - 52 87 - 6 88 - 6 89 - 10
04211-13189	3 - 8				
04221-05109	4 - 11 14 - 3 15 - 3		91 - 23 91 - 35 96 - 6		133 - 35 133 - 37 166 - 10
04221-06129 06111-06003	31 - 7 41 - 13		96 - 16 96 - 27		167 - 17 174 - 22



PART NO.	FIG. NO. - REF. NO.	PART NO.	FIG. NO. - REF. NO.	PART NO.	FIG. NO. - REF. NO.
08316-10083	16 - 6 17 - 7 17 - 13 17 - 18 40 - 13	08321-01123	61 - 33 62 - 18 107 - 29 63 - 11 64 - 11	08361-15063	11 - 15 132 - 38 133 - 42
	68 - 4 68 - 10 68 - 17 69 - 4 69 - 10		91 - 6 91 - 22 91 - 34 <del>96</del> - 5 96 - 15	08361-15083	70 - 7
	69 - 17 115 - 24 117 - 25 145 - 8 152 - 26		96 - 26 97 - 6 103 - 14 104 - 14 120 - 16	08361-35063	32 - 12
08316-10083				09100-06088	107 - 31 108 - 31
	154 - 21 199 - 10 199 - 45 203 - 38 22 - 16	08321-01143	121 - 16 91 - 9 91 - 26	09100-06150	107 - 11 108 - 11 109 - 11
08316-10103		08321-21208	103 - 3 104 - 3	09100-08294	110 - 11 146 - 43 146 - 44 146 - 45 147 - 54
	23 - 17 42 - 24 44 - 15 14 - 11 177 - 16	08321A31063	27 - 22		147 - 55 147 - 56 147 - 57 147 - 58 147 - 59
08316-10123		08321A31066	32 - 10		148 - 60 148 - 43 148 - 44 148 - 45 149 - 54
08316A1663		08322-01053	194 - 5		
08316-20063		08322-01063	40 - 19 194 - 32		
	180 - 17 183 - 17 184 - 24 186 - 23 91 - 12	08322-01083	22 - 5 23 - 5 40 - 12 58 - 14 185 - 8		149 - 55 149 - 56 149 - 57 149 - 59 149 - 60
08316-20083					
08316-20103	107 - 19 108 - 19 108 - 29 109 - 19 110 - 19	08322-01103	194 - 26 107 - 28 108 - 28 164 - 5 7 - 18	09100-10226	107 - 15 108 - 15 109 - 15 110 - 15
		08322-21103		09100-12055	91 - 33
08319-31063	195 - 40		7 - 19	09100-12067	91 - 5 96 - 25
08321-01083	122 - 28 123 - 26 124 - 26 201 - 16	08331-31356	65 - 5	09100A12111	120 - 16 121 - 16
		08331-31383	201 - 14	09100-14002	91 - 24
		08331-41256	60 - 5		
		08331-41303	201 - 8		
08321-01103	7 - 2 7 - 18 7 - 19 8 - 2 9 - 2	08331-41626	61 - 30	09103-06066	32 - 3
		08332-11063	58 - 15	09103-06083	15 - 16 41 - 34 67 - 9 67 - 11
		08332-11086	194 - 16		
		08332-11126	66 - 9		
		08341-31059	10 - 13		

PART NO.	FIG. NO. - REF. NO.	PART NO.	FIG. NO. - REF. NO.	PART NO.	FIG. NO. - REF. NO.
09103-06132	4 - 6		132 - 31	09128-10002	66 - 17
09103-06168	17 - 43		133 - 31	09129-06002	82 - 45
	22 - 10		174 - 48		83 - 45
	22 - 13	09116-05014	190 - 7	09129-06006	84 - 51
	23 - 11		191 - 7		85 - 49
	23 - 14	09116-06005	147 - 61		147 - 62
09103-06185	10 - 15		149 - 61		149 - 62
	11 - 14	09116-06115	14 - 18	09132-05041	157 - 7
09103-08013	42 - 4	09116-06155	20 - 38		157 - 7
09103-08131	42 - 6		21 - 33		158 - 5
09103-08132	105 - 8	09117-06002	47 - 3	09132-06006	82 - 107
	106 - 8	09117A06033	6 - 2		83 - 104
09103-08134	42 - 5	09117-08068	102 - 9		145 - 17
09103-08153	42 - 13	09118-08084	192 - 31	09132-06008	190 - 32
09103-08230	16 - 10		193 - 31		191 - 32
09103-08247	199 - 11	09118-08107	68 - 12	09135-08006	66 - 29
09103-08275	119 - 18		69 - 12	09136-05030	102 - 13
09103-08341	35 - 3	09118-08118	58 - 1	09136-06004	192 - 15
	36 - 3	09118-08128	184 - 22		193 - 15
09103-10122	108 - 27		186 - 21	09136-06078	131 - 3
09103-10184	64 - 22	09118-08156	175 - 5		131 - 4
09103-10200	10 - 19		178 - 5		132 - 3
	11 - 19		181 - 7		133 - 3
	44 - 7		184 - 4		136 - 37
09103-10209	199 - 5		185 - 4	09136-06109	147 - 63
	203 - 5		185 - 5		149 - 63
09103-10280	192 - 41	09118-10052	7 - 11	09136-06133	37 - 11
	193 - 37		8 - 11		37 - 46
09103-10286	44 - 6		9 - 11		38 - 2
09103-12033	62 - 13	09118-10068	190 - 3	09136-06134	125 - 13
09103-12043	128 - 17		191 - 3	09137-06020	82 - 111
09103-12048	91 - 20	09119-08084	101 - 5		83 - 108
	96 - 3	09119-10041	24 - 4	09137-06022	184 - 12
	96 - 13		25 - 4		186 - 2
09108-06056	14 - 9		26 - 4	09137-08006	177 - 13
09108-12006	42 - 22	09119-12012	94 - 2	09137-08011	180 - 10
	44 - 13		98 - 2		183 - 11
09108-12007	42 - 23	09125-05117	59 - 10		184 - 20
	44 - 14	09125-06041	160 - 41		186 - 19
09111-12009	64 - 10		161 - 54	09138-06026	177 - 6
09115-06001	74 - 4	09125-06060	89 - 2		183 - 8
	82 - 33	09125-06084	160 - 41	09138-06040	82 - 19
	83 - 32	09126-06007	31 - 3		83 - 18
	87 - 4	09127-05016	187 - 17	09138-08003	68 - 20
	88 - 4		188 - 18		69 - 20

PART NO.	FIG. NO. - REF. NO.	PART NO.	FIG. NO. - REF. NO.	PART NO.	FIG. NO. - REF. NO.
09139-05028	82 - 68 83 - 68 89 - 26	09148-05018	160 - 43 168 - 19		113 - 14 114 - 14
09139-05037	173 - 21	09148-05020	75 - 16	09159-08075	111 - 10 112 - 10 113 - 10
09139-06081	144 - 12	09148-05038	90 - 7 146 - 4		
09139-06094	145 - 11 146 - 23 146 - 24 146 - 46 146 - 47		146 - 25 146 - 53 147 - 4 147 - 26 147 - 73	09159-10091	114 - 10 60 - 12
	147 - 25 147 - 64 147 - 65 147 - 66 148 - 23		148 - 4 148 - 25 148 - 53 149 - 4 149 - 26	09159-12024	99 - 4 169 - 7
	148 - 24 148 - 46 148 - 47 149 - 25 149 - 64	09148-06005	149 - 73 194 - 33 195 - 10 195 - 13 196 - 10	09159-12025	102 - 10
09139-06094	149 - 65 149 - 66 150 - 6 171 - 15 173 - 48		196 - 13 33 - 19 175 - 24 175 - 29 177 - 22	09160-06057	14 - 10 15 - 10
09139-08015	173 - 49 102 - 3	09148-06006	196 - 13 33 - 19	09160T08075	37 - 34
09140-10019	112 - 11 113 - 11	09148-06007	175 - 24 175 - 29 177 - 22	09160-08075	38 - 26
09140-10040	114 - 11 7 - 26 8 - 25 9 - 25		178 - 25 178 - 30 180 - 24 181 - 27 181 - 32	09160-08093	199 - 12
09140-10043	84 - 14		183 - 24 186 - 14 146 - 26 148 - 26 194 - 27	09160-08094	203 - 7 203 - 7
09140-16022	85 - 13 103 - 24 104 - 24	09148-06014	183 - 24 186 - 14 146 - 26 148 - 26 194 - 27	09160-09007	58 - 6 107 - 6 108 - 6
09140-16023	103 - 26 104 - 26	09148-08002	183 - 24 186 - 14 146 - 26 148 - 26 194 - 27	09160-10001	109 - 6 110 - 6 7 - 14 7 - 22 8 - 14
09148-03004	194 - 30	09148-09001	107 - 2 108 - 2 109 - 2 110 - 2 40 - 18	09160-10104	8 - 28 9 - 14 9 - 28 62 - 22 7 - 13
09148-04021	81 - 7 162 - 19	09150-06014	107 - 2 108 - 2 109 - 2 110 - 2 40 - 18	09160-10119	7 - 16 7 - 21 7 - 24 7 - 25 8 - 13
09148-05004	156 - 14		174 - 51 185 - 9 10 - 6 11 - 6		8 - 16 8 - 21 8 - 23 8 - 24 9 - 13
09148-05006	159 - 37	09159-06076	174 - 51 185 - 9 10 - 6 11 - 6		9 - 16 9 - 21 9 - 23 9 - 24
		09159-08033	111 - 15	09160-12079	103 - 13

PART NO.	FIG. NO. - REF. NO.	PART NO.	FIG. NO. - REF. NO.	PART NO.	FIG. NO. - REF. NO.
	104 - 13		38 - 27	09206-08001	4 - 7
09160-13011	164 - 4	09180-10117	62 - 23	09206-15001	42 - 19
09160-18018	66 - 13	09180-10118	107 - 17		44 - 10
09160-35002	61 - 22		108 - 17	09209-05017	180 - 15
09160-35003	61 - 22	09180-10121	109 - 17		183 - 15
09160-35004	61 - 22		110 - 17	09209-13018	40 - 17
09160-35006	61 - 22	09180-10135	108 - 26	09209-14001	130 - 6
09160-35013	63 - 23	09180-26004	65 - 9	09241-12002	3 - 4
09160-35014	63 - 23	09181-35012	64 - 4	09241-20006	3 - 5
09160-35015	63 - 23	09181-35014	64 - 4		4 - 5
09162-08008	58 - 10	09181-35016	61 - 4	09241-30009	4 - 4
	66 - 30		63 - 4		5 - 2
09162-10008	61 - 13		64 - 4	09246-05006	5 - 3
09164-15006	61 - 16	09181-35018	61 - 4	09246-06002	5 - 4
	63 - 15		63 - 4		5 - 5
09165-10002	92 - 4		64 - 4	09246-08002	5 - 6
09165-10003	96 - 22	09181-35020	61 - 4		31 - 5
09166-16020	41 - 53		63 - 4	09246-16012	4 - 8
09166-25012	65 - 13		64 - 4	09247-14013	67 - 17
09168-06023	27 - 16	09181-35022	61 - 4	09247-14027	6 - 5
	28 - 16		63 - 4	09247-14029	30 - 3
	29 - 1		64 - 4	09248-12005	43 - 12
09168-12016	16 - 1	09181-35023	61 - 4	09250-05011	162 - 21
	16 - 1		63 - 4		163 - 17
	17 - 2		64 - 4	09250-08005	162 - 22
09168-14009	105 - 1	09181-62003	65 - 21		162 - 23
	106 - 2	09181-62004	65 - 21		163 - 18
09168-14012	6 - 6	09181-62005	65 - 21		163 - 19
	30 - 1	09181-62008	65 - 21	09250-10006	43 - 13
09168-16002	105 - 2	09181-62009	65 - 21	09250-14008	84 - 67
	106 - 2	09200-10021	112 - 15		85 - 63
09168-20003	62 - 3		114 - 15	09250-16013	162 - 20
09169-06034	194 - 8	09205-03019	40 - 6		163 - 16
09169-06065	21 - 13	09205-03022	65 - 38	09250-20002	162 - 9
09169-08043	59 - 3	09205-03037	43 - 35		163 - 8
09180-06106	14 - 19	09205-05007	61 - 18	09250-20014	82 - 91
	37 - 12		63 - 18		83 - 82
	37 - 47	09205-05012	43 - 6	09250-20015	181 - 24
	38 - 3		43 - 33	09250-20017	82 - 94
09180-08057	24 - 8		66 - 6		83 - 91
	25 - 8	09205-05015	43 - 34	09250-25007	82 - 69
	26 - 8	09205-05016	43 - 7		83 - 69
09180A08129	20 - 37		111 - 4		162 - 10
09180-08129	21 - 34		113 - 4		163 - 9
09180-08171	37 - 35	09205-06016	43 - 36	09250-25008	82 - 90

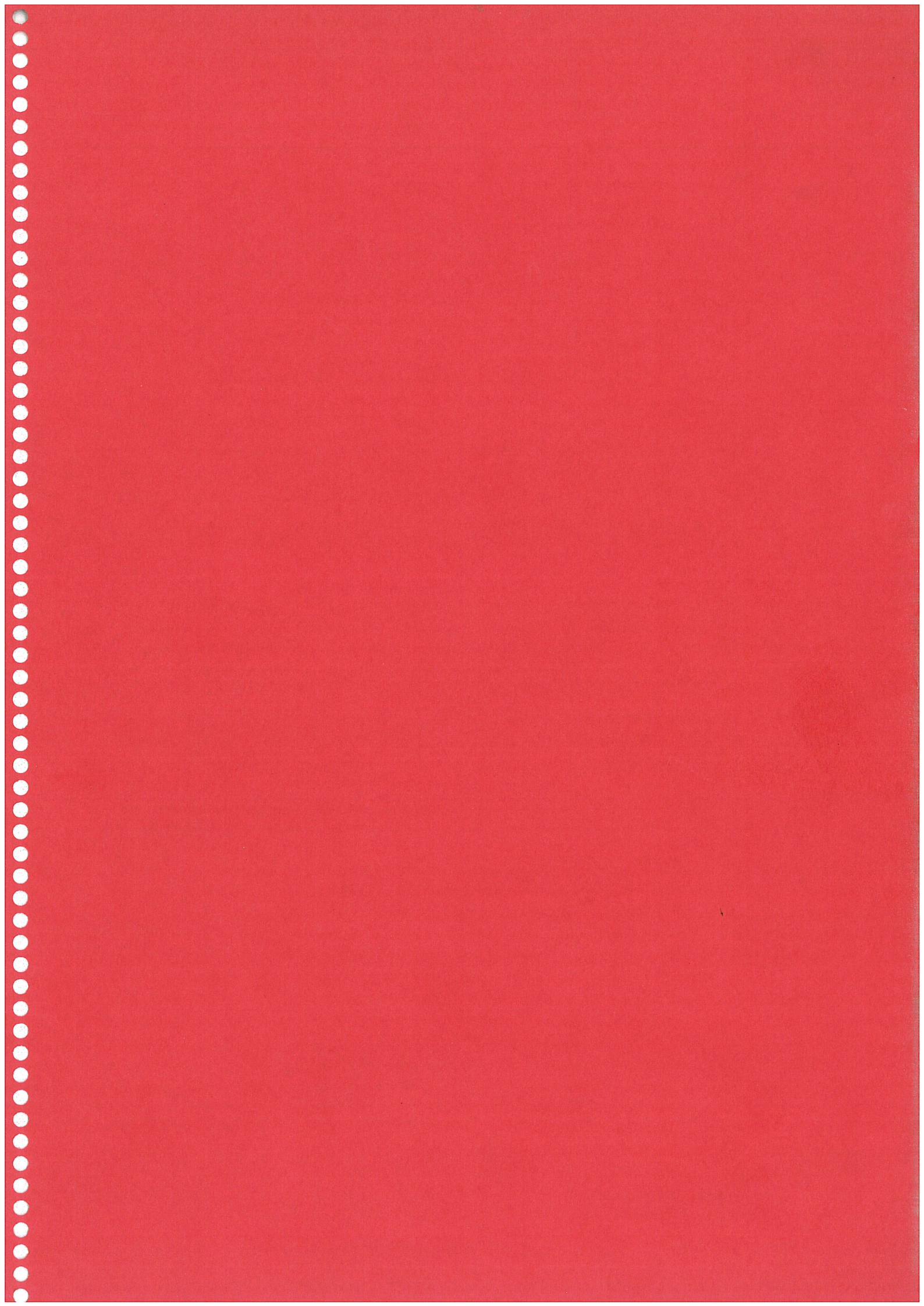
PART NO.	FIG. NO. - REF. NO.	PART NO.	FIG. NO. - REF. NO.	PART NO.	FIG. NO. - REF. NO.
09250-30010	83 - 90 82 - 48 83 - 49 162 - 11 163 - 10	09283-25088 09283-32038	98 - 8 41 - 6 10 - 11 11 - 11 12 - 2	09308-28001 09308-40001	83 - 23 82 - 67 83 - 67 82 - 85 83 - 85
09250-35005 09251-09002	82 - 113 83 - 110 107 - 10 108 - 10 109 - 10	09283-35008 09283-40021 09283-40022	13 - 2 61 - 31 65 - 43 61 - 7 63 - 7	09308-42001 09320-08021	82 - 43 82 - 43 83 - 43 83 - 43 21 - 12
09261-02010 09261-03017 09262-20073 09262-25073	110 - 10 41 - 59 43 - 9 41 - 31 41 - 11	09283-54001 09283-68002 09284-45001	64 - 7 94 - 26 10 - 21 11 - 21 97 - 8	09320-08062 09320-10024 09320-10040 09320-12011	30 - 11 92 - 3 96 - 23 37 - 36 38 - 28
09262-30077 09263-26027 09263-40006 09265-30012	65 - 20 65 - 32 41 - 51 65 - 42 64 - 6	09286-64001 09286-75001 09289-05012 09289-07005	98 - 5 94 - 31 94 - 27 13 - 20 12 - 16	09321-06026 09321-10023 09352-50111-600 09352-70111-600	107 - 30 108 - 30 130 - 7 37 - 16 33 - 12
09265-35002 09265-45002 09269-35010 09269-41001	64 - 5 64 - 25 97 - 9 98 - 6 94 - 24	09289-48004 09300-25028 09300-30003 09305-08012	94 - 30 41 - 30 41 - 18 41 - 48 58 - 13	09352-70113-00B 09352-70121-600 09352-70131-600	34 - 12 66 - 31 95 - 8 33 - 13 17 - 30
09280-10014 09280-10015 09280-11002	47 - 8 6 - 12 42 - 17 67 - 16 67 - 18	09306-13004	107 - 16 107 - 22 108 - 16 108 - 22 109 - 16	09354-13203-600 09354-54115-600	16 - 20 16 - 29 190 - 10 37 - 37 38 - 29
09280-12009 09280-17005 09280-21008 09280-24009	67 - 21 13 - 4 6 - 8 65 - 11 65 - 39	09307-09001	110 - 16 107 - 4 108 - 4 109 - 4 110 - 4		190 - 14 190 - 17 190 - 22 190 - 23 191 - 14
09280-28008 09280-56004	1 - 12 2 - 12 35 - 5 36 - 5 1 - 7	09308-03005 09308-10004	82 - 77 83 - 74 14 - 20 37 - 13 37 - 48	09354-70153-600 09354-80153-600	191 - 17 191 - 22 191 - 23 16 - 19 17 - 25
09282-07001 09282-25006 09282-35002 09282-48003	3 - 16 65 - 40 41 - 15 65 - 6 97 - 11	09308-11009 09308-13001 09308-15006 09308-25002	38 - 4 95 - 12 174 - 56 20 - 6 82 - 24	09354-90143-600 09356-55117-600 09356-58127-600	20 - 18 28 - 24 29 - 26 28 - 25 29 - 27

PART NO.	FIG. NO. - REF. NO.	PART NO.	FIG. NO. - REF. NO.	PART NO.	FIG. NO. - REF. NO.
09358-35754-600	37 - 20 37 - 21 37 - 23 37 - 24 37 - 25		18 - 24 09401-15404 38 - 43 09401-57901 66 - 22 09402-46511 21 - 36 09402-68202 20 - 8	09404-08420	83 - 52 37 - 43 58 - 18 82 - 34 83 - 33
	37 - 26 37 - 27 37 - 41 37 - 42 38 - 16	09402-82511	20 - 11 21 - 16 21 - 20	09404-10416 09404-10418 09407-05403	59 - 12 48 - 13 74 - 5 81 - 22 82 - 27
	38 - 17 38 - 18 38 - 19 38 - 20 38 - 21	09403-06404	115 - 29 116 - 28 117 - 30 118 - 29		82 - 30 82 - 86 82 - 86 83 - 26 83 - 29
	38 - 22 38 - 23	09403-07306	75 - 19		
09360-12008	27 - 18 28 - 18 29 - 20	09403-07307-5PK 09403-07312	130 - 8 117 - 9 118 - 16		83 - 86 83 - 86 87 - 24 88 - 24 09407-05406 34 - 14
09367-08003 09367-08004 09381-24001	95 - 7 43 - 22 61 - 28	09403-08404 09403-08406	27 - 23 199 - 40 203 - 33	09407-11402	82 - 47 82 - 47 83 - 46 83 - 46
09383-19001	93 - 14 58 - 5	09403-09315 09403-11311	37 - 49 43 - 25	09407-12404	74 - 6
09385-08004 09385-10006	58 - 7 112 - 21 113 - 17 114 - 17	09403-12405 09403-14309 09403-14408 09403-14412	38 - 31 48 - 16 95 - 14 82 - 110		74 - 6 82 - 28 82 - 28 82 - 28 82 - 29
09387-19001	192 - 35		83 - 107		
	193 - 36 194 - 54 195 - 31	09403-16407 09403-16410	47 - 16 199 - 50		82 - 60 82 - 87 83 - 27 83 - 27 83 - 27
09387-19001 09388-00017	196 - 40 41 - 42	09404-06206 09404-06427	18 - 9 82 - 38 83 - 37		
09388-00019 09400-15302 09400A19302 09400-24301	41 - 43 48 - 8 11 - 8 105 - 23 106 - 31	09404-06429 09404-06431	33 - 15 82 - 38 82 - 52 83 - 37 83 - 51		83 - 28 83 - 59 83 - 87 83 - 109 85 - 42
09400-36312	35 - 12 36 - 12		83 - 51 203 - 16		87 - 25 88 - 25
09401-11411	28 - 26 29 - 28		203 - 16	09407-12405	82 - 61 83 - 60
09401-12404	17 - 32	09404-06433	82 - 53 83 - 33	09407-14403	48 - 9

PART NO.	FIG. NO. - REF. NO.	PART NO.	FIG. NO. - REF. NO.	PART NO.	FIG. NO. - REF. NO.
	82 - 112 200 - 13 200 - 13 203 - 34 204 - 12	09409-06313 09409-06314-5PK  09409-06318	161 - 48 125 - 10 156 - 10 156 - 10 128 - 19	09409-10302-5PK 09409-10303-5ES 09409-10304-5ES	128 - 21 129 - 20 159 - 29 132 - 32 133 - 32
09407-14406 09407-14408	74 - 7 82 - 106 83 - 103 95 - 11 95 - 11	09409-06319 09409-07308-5PK	129 - 18 168 - 17 166 - 3 167 - 3 168 - 3	09409-11304	160 - 22 161 - 44 167 - 10 168 - 10 163 - 13
09407-18403  09407-25401	82 - 31 82 - 108 83 - 30 83 - 105 82 - 32	09409-07313 09409-07318-5ES	142 - 13 143 - 13 159 - 2 159 - 15 160 - 2	09410-00073 09410-00074 09410-00075	195 - 28 196 - 31 173 - 22 173 - 42 173 - 43
	82 - 50 83 - 31 83 - 47 84 - 10 85 - 9	09409-07320	160 - 15 161 - 41 82 - 23 82 - 59 83 - 22	09440-05037 09440-08026 09440-08029 09440-10033 09440-19020	43 - 38 40 - 16 43 - 39 66 - 12 66 - 7
09408-00024 09408-00035	82 - 58 83 - 57 37 - 30 68 - 26 69 - 27	09409-08308-5PK 09409-08310	83 - 58 83 - 58 159 - 33 160 - 32 159 - 8	09443-14015 09448-21003	195 - 16 196 - 16 107 - 5 108 - 5 109 - 5
09408-00055 09408-00056 09408-00067	82 - 96 83 - 94 37 - 31 38 - 45	09409-08320	160 - 8 161 - 7 159 - 8 160 - 8 161 - 7	09471-12045 09471-12055	110 - 5 76 - 5 77 - 5 81 - 4 75 - 13
09408-00100 09408-00111 09408-00117 09408-00117	33 - 18 37 - 28 38 - 34 35 - 18 36 - 16		175 - 20 175 - 20 178 - 21 178 - 21 181 - 21	09471-12060 09471-12064 09471-12073	76 - 3 77 - 3 81 - 16 79 - 3 79 - 9
09408-00121 09408-00126 09408-00137	28 - 27 29 - 29 105 - 25 37 - 44 38 - 33	09409-08322	181 - 21 185 - 11 159 - 9 160 - 9 161 - 8	09471-12077 09471-12079 09471-12081	59 - 7 76 - 13 77 - 13 76 - 6 77 - 6
09408-00151 09408-00157 09408-00161 09408-00176 09409-06309-5ES	47 - 22 20 - 39 62 - 8 105 - 26 130 - 15	09409-08325  09409-10301-5ES	146 - 27 147 - 27 148 - 27 149 - 27 21 - 28	09471-12083 09471-12131 09471-12135	80 - 6 81 - 9 81 - 3 75 - 11 84 - 7

PART NO.	FIG. NO. - REF. NO.	PART NO.	FIG. NO. - REF. NO.	PART NO.	FIG. NO. - REF. NO.
	84 - 18 85 - 6 85 - 17				
09471-12181 09471-85C00	80 - 3 84 - 35				
	85 - 34				
09481-10101 09481-15101	82 - 2 82 - 3 82 - 13 83 - 2				
	83 - 12				
09481-20101 09481-25101	204 - 8 82 - 4 83 - 3 82 - 5				
	83 - 4				
09481-25103 09481-30201	200 - 8 204 - 8 82 - 14 83 - 13				
	82 - 15				
09481-40201 09481-50201 09481-60201	83 - 14 82 - 16 83 - 15 82 - 17				
	83 - 16				
09481-60301 09481-80301	82 - 17 83 - 16 82 - 18 83 - 17				
	3 - 13				
09482-00155 09482-00167 09482-00427 09482-00429 09482-00505	3 - 13 3 - 13 4 - 16 4 - 16 4 - 16				
09482-00506	3 - 13				





## CATALOGO DE PIEZAS VEHICULO VITARA DIESEL-00000A01207S

Este Catálogo es suplemento al Catálogo de Piezas de Recambio 00000A01207 correspondiente al VITARA gasolina.

Para una mayor eficacia en el manejo de esta publicación, es aconsejable archivar estas hojas en el Catálogo 00000A01207 según se indica a continuación:

A) Las hojas relativas al motor completo Diesel se archivarán con su separador rojo, al final del mencionado Catálogo, detrás del índice de piezas.

B) Las hojas restantes, se archivarán en el mismo Catálogo anulando y sustituyendo a sus respectivas.

SANTANA MOTOR S.A.



## FIG. 006 (1-B-07) OIL PAN

REF. N.º	PART N.º	DESCRIPTION	Q, TY		REMARKS
			C	V	
1	11510-60A01	PAN, OIL	1	1	
2	09117A06033	BOLT	16	16	
3	01411-06123	STUD BOLT	2	2	
4	08316-10063	NUT	2	2	
5	09247-14027	PLUG, OIL DRAIN	1	1	
6	09168-14012	GASKET, OIL DRAIN PLUG	1	1	
7	16520-60A00	STRAINER, OIL PUMP	1	1	
8	09280-17005	O RING	1	1	
9	07120-06123	BOLT	2	2	
10	16910-85C00	GAUGE, OIL LEVEL	1	1	
11	16930-82001	GUIDE, OIL LEVEL GAUGE	1	1	
12	09280-10015	O RING	1	1	
13	01550-06103	BOLT	1	1	



FIG. 007 (1-B-08) ENGINE MOUNTING (MT)

REF. N.º	PART N.º	DESCRIPTION	Q, TY		REMARKS
			C	V	
1-1	11610-58B01	MOUNTING, ENGINE FRONT	2	2	
1-2	11610-86CA0	MOUNTING, ENGINE FRONT	1	1	1.9 DIESEL
	00046-86CA0	BOLT BRACKET FRONT RH	1	1	1.9 DIESEL
2	08321-01103	LOCK WASHER	4	4	
3	08310-00103	NUT	4	4	
4-1	11641-56B02	BRACKET, FRONT MOUNTING RH	1	1	
4-2	11641-86CA0	BRACKET, FRONT MOUNTING RH	1	1	1.9 DIESEL
5-1	01500-10303	BOLT	3	3	
	02019-00000	SPRING WASHER	3	3	
5-2	00056-86CA0	BOLT	4	4	1.9 DIESEL
	02040-86CA0	PLANE WASHER	4	4	1.9 DIESEL
	08321A31103	SPRING WASHER	4	4	1.9 DIESEL
6-1	11651-57B00	BRACKET, FRONT MOUNTING LH	1	1	
6-2	11651-86CA0	BRACKET, FRONT MOUNTING LH	1	1	1.9 DIESEL
7-1	01500-10303	BOLT	3	3	
	02019-00000	SPRING WASHER	3	3	
7-2	01570-08203	BOLT	4	4	1.9 DIESEL
	02042-86CA0	PLANE WASHER	4	4	1.9 DIESEL
8	01107-10403	BOLT	1	1	
	02019-00000	SPRING WASHER	1	1	
9	11661-56B00	BRACKET, FRONT MOUNTING RH	1	1	
10	11661-57B00	BRACKET, FRONT MOUNTING LH	1	1	
11	09118-10052	BOLT (10X30)	6	6	
12	11710-85C00	MOUNTING, ENGINE REAR	1	1	
13	01500-10203	BOLT	1	1	
	09160-10119	WASHER	1	1	
14	01500-10163	BOLT	2	2	
	09160-10001	WASHER	2	2	
15	11741-60A01	BRACKET, REAR MOUNTING	1	1	
16	01500-10303	BOLT	2	2	
	09160-10119	WASHER	2	2	
17-1	11730-58B21	MEMBER, REAR MOUNTING	1	1	
17-2	11730-86CA0	MEMBER, REAR MOUNTING	1	1	1.9 DIESEL
18	01707-10253	BOLT	2	2	
	08321-01103	SPRING WASHER	2	2	
	08322-21103	WASHER	2	2	
19	01707-10253	BOLT	2	2	
	08321-01103	SPRING WASHER	2	2	
	08322-21103	WASHER	2	2	
20	11755-60A01	BRACKET, TORQUE STOPPER	1	1	



## FIG. 007 (1-B-08) ENGINE MOUNTING (MT)

REF. N.º	PART N.º	DESCRIPTION	Q, TY		REMARKS
			C	V	
21	01500-10203	BOLT	2	2	
	09160-10119	WASHER	2	2	
22	01500-10163	BOLT	3	3	
	09160-10001	WASHER	3	3	
23	11910-85C00	BUSH, TORQUE STOPPER	1	1	
24	01500-10803	BOLT	1	1	
	09160-10119	WASHER	1	1	
25	09160-10119	WASHER	1	1	
26	09140-10040	NUT	1	1	
27	18568-56B01	BRACKET, CANISTER HOSE CLAMP	1	1	
28	18119-85C30	CLAMP	1	1	
29	01550-06123	BOLT	1	1	
30	18569-86CA0	CLIP	5	5	1.9 DIESEL





FIG. 016 (1-C-05) INTAKE MANIFOLD AND THROTTLE BODY (2 VALVE)

REF. N.º	PART N.º	DESCRIPTION	Q, TY		REMARKS
			C	V	
1	13110-58B01	MANIFOLD, INTAKE	1	1	
2	13119-85C00	GASKET, INTAKE MANIFOLD	1	1	
3	01550-08253	BOLT	5	5	
4	01550-08253	BOLT	1	1	
5	01421-08253	BOLT	3	3	
6	08316-10083	NUT	3	3	
7	11851-73000	HOOK, ENGINE	1	1	
8	13400-56B30	BODY ASSY, THROTTLE	1	1	
9	13421-85C00	GASKET, THROTTLE BODY	1	1	
10	09103-08230	BOLT (8X100)	4	4	
11	13492-56B01	HOSE	1	1	
12	17879-85C00	CLIP	2	2	
13	13650-56B00	SENSOR, INLET AIR TEMP	1	1	
14	09168-12016	GASKET, INLET AIR TEMP SENSOR	1	1	
15	13650-61B00	SENSOR, WATER TEMP	1	1	
16	09168-12016	GASKET, WATER TEMP SENSOR	1	1	
17	34850-82012	GAUGE ASSY, WATER TEMP	1	1	
18	18118-80010	VALVE, PCV	1	1	
19	09354-70153-600	HOSE, PCV (L:600>120)	1	1	
20	09354-13203-600	HOSE, BREATHER (L:600>120)	1	1	
21	11195-85C00	CLAMP, PCV HOSE	2	2	
22	11196-85C00	CLAMP, BREATHER HOSE	1	1	
23	13620-56B01	STIFFENER, INTAKE MANIFOLD	1	1	
24	01550-10203	BOLT	2	2	
25	01550-10603	BOLT	1	1	
26-1	15910-85C20	CABLE ASSY, ACCEL	1	1	LHD
26-2	15910A61A02	CABLE ASSY, ACCEL	1	1	RHD
27	15991-61A02	CLAMP	1	1	LHD
28	15991-83000	CLAMP	1	1	LHD
29	09354-13203-600	PROTECTOR (L:600>330)	1	1	
30	11194-80C00	PROTECTOR (L:120>60)	1	1	

FIG. 17

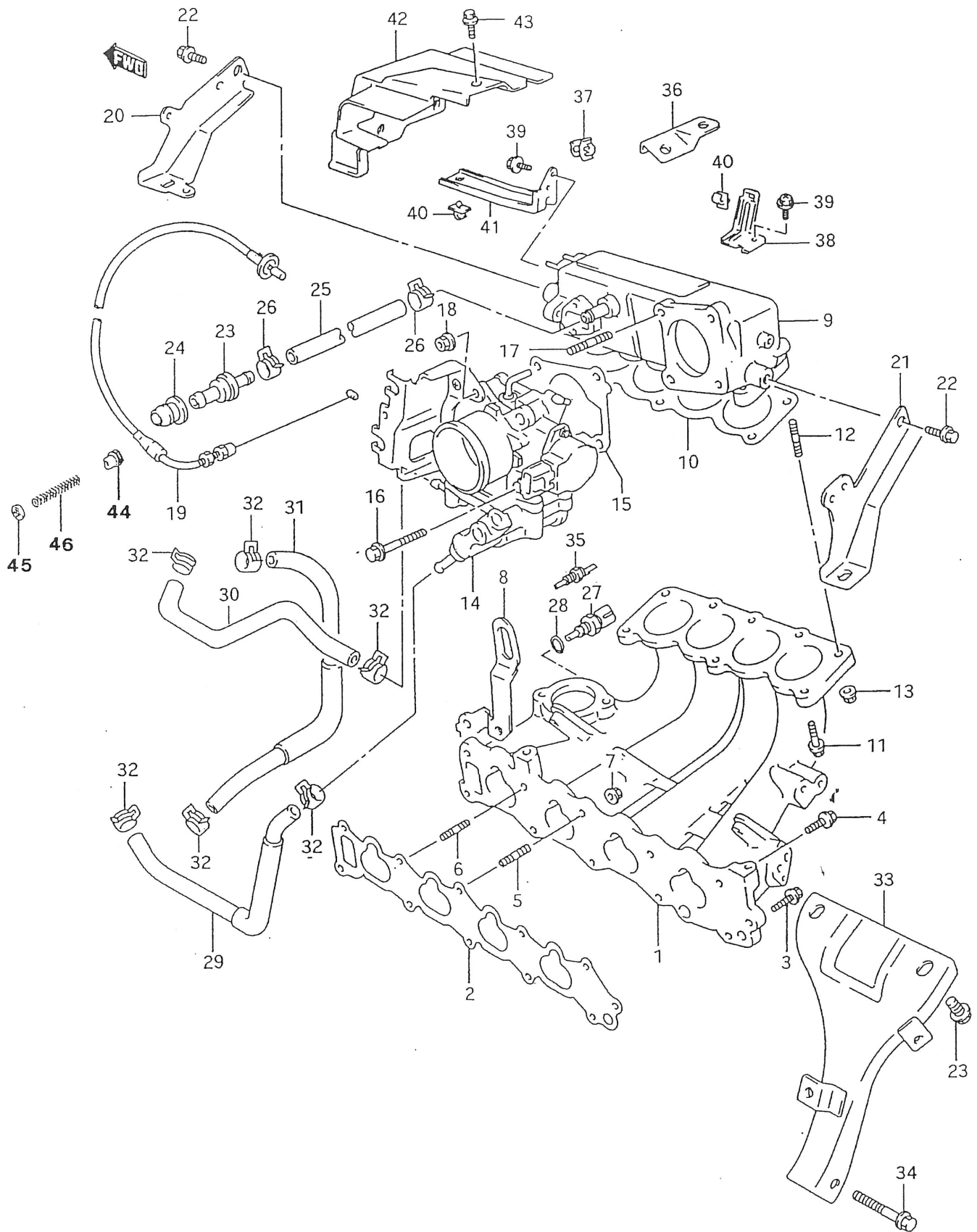


FIG. 017 (1-C-06) INTAKE MANIFOLD AND THROTTLE BODY (4 VALVE)

REF. N.º	PART N.º	DESCRIPTION	Q, TY		REMARKS
			C	V	
1	13110-58B01	MANIFOLD, INTAKE	1	1	
2	13119-57B00	GASKET, INTAKE MANIFOLD	1	1	
3	01550-08253	BOLT	1	1	
4	01550-08353	BOLT	2	2	
5	01421-08253	STUD BOLT	7	7	
6	01421-08353	STUD BOLT	1	1	
7	08316-10083	NUT	8	8	
8	11852-57B01	HOOK, ENGINE	1	1	
9	13140-58B00	TANK, SURGE INTAKE	1	1	
10	13122-58B00	GASKET, SURGE TANK	1	1	
11	01550-08253	BOLT	5	5	
12	01421-08203	STUD BOLT	3	3	
13	08316-10083	NUT	3	3	
14-1	13400-58B00	BODY ASSY, THROTTLE	1	1	MT
14-2	13400-58B10	BODY ASSY, THROTTLE	1	1	AT
15	13421-58B00	GASKET, THROTTLE BODY	1	1	
16	01550-08553	BOLT	2	2	
17	01421-08553	STUD BOLT	2	2	
18	08316-10083	NUT	2	2	
19-1	15910-57B11	CABLE ASSY, ACCEL	1	1	LHD
19-2	15910-57B02	CABLE ASSY, ACCEL	1	1	RHD
19-3	15910-86CA0	CABLE ASSY, ACCEL	1	1	1.9 DIESEL
20	13626-58B00	STIFFENER, MANIFOLD NO.1	1	1	
21	13627-58B00	STIFFENER, MANIFOLD NO.2	1	1	
22	01550-10203	BOLT	6	6	
23	18118-58B00	VALVE, PCV	1	1	
24	11198-58B00	SEAL, PCV VALVE	1	1	
25	09354-80153-600	HOSE, PCV	1	1	L:600>150
26	11195-85C00	CLIP	2	2	
27	13650-57F00	SENSOR, WATER TEMP	1	1	
28	09168-12016	GASKET (12.2X21X0.8)	1	1	
29	13491-58B00	HOSE, WATER THROTTLE INLET	1	1	
30	09352-70131-600	HOSE, WATER THROTTLE OUTLET	1	1	L:600>190
31	13494-58B00	HOSE, ISC OUTLET	1	1	
32	09401-12404	CLIP	6	6	

FIG. 17

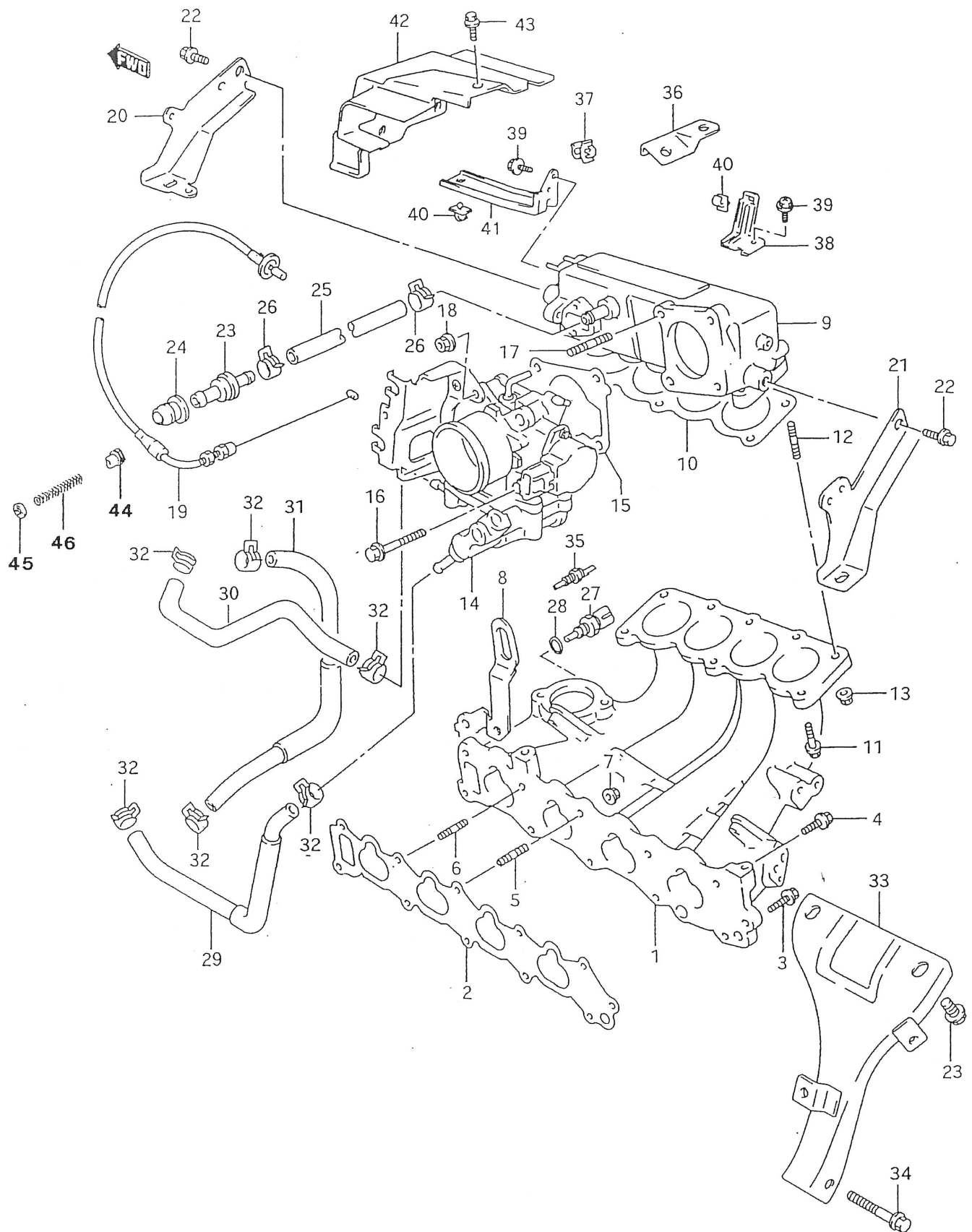


FIG. 017 (1-C-07) INTAKE MANIFOLD AND THROTTLE BODY (4 VALVE)

REF. N.º	PART N.º	DESCRIPTION	Q, TY		REMARKS
			C	V	
33	13620-57B01	STIFFENER	1	1	
34	01550-10603	BOLT	1	1	
35	34850-82012	GAUGE ASSY, WATER TEMPERATURE	1	1	
36	15919-57B11	BRACKET, ACCEL CABLE CLAMP	1	1	LHD
37	09403-06318	CLAMP	1	1	LHD
38	15918-58B00	BRACKET, ACCEL CABLE	1	1	RHD
39	02162-06123	BOLT	3	3	RHD
40	09403-05313	CLAMP	2	2	RHD
41	15919-58B10	BRACKET	1	1	RHD
42	13471-58B00	COVER, THROTTLE	1	1	
43	09103-06168	BOLT (6X10)	3	3	
44	30026-86CA0	GROMMET	1	1	1.9 DIESEL
45	02036-86CA0	PLANE WASHER, STOPPER	1	1	1.9 DIESEL
46	30027-86CA0	SPRING, SITUATION BUSH	1	1	1.9 DIESEL

FIG. 18

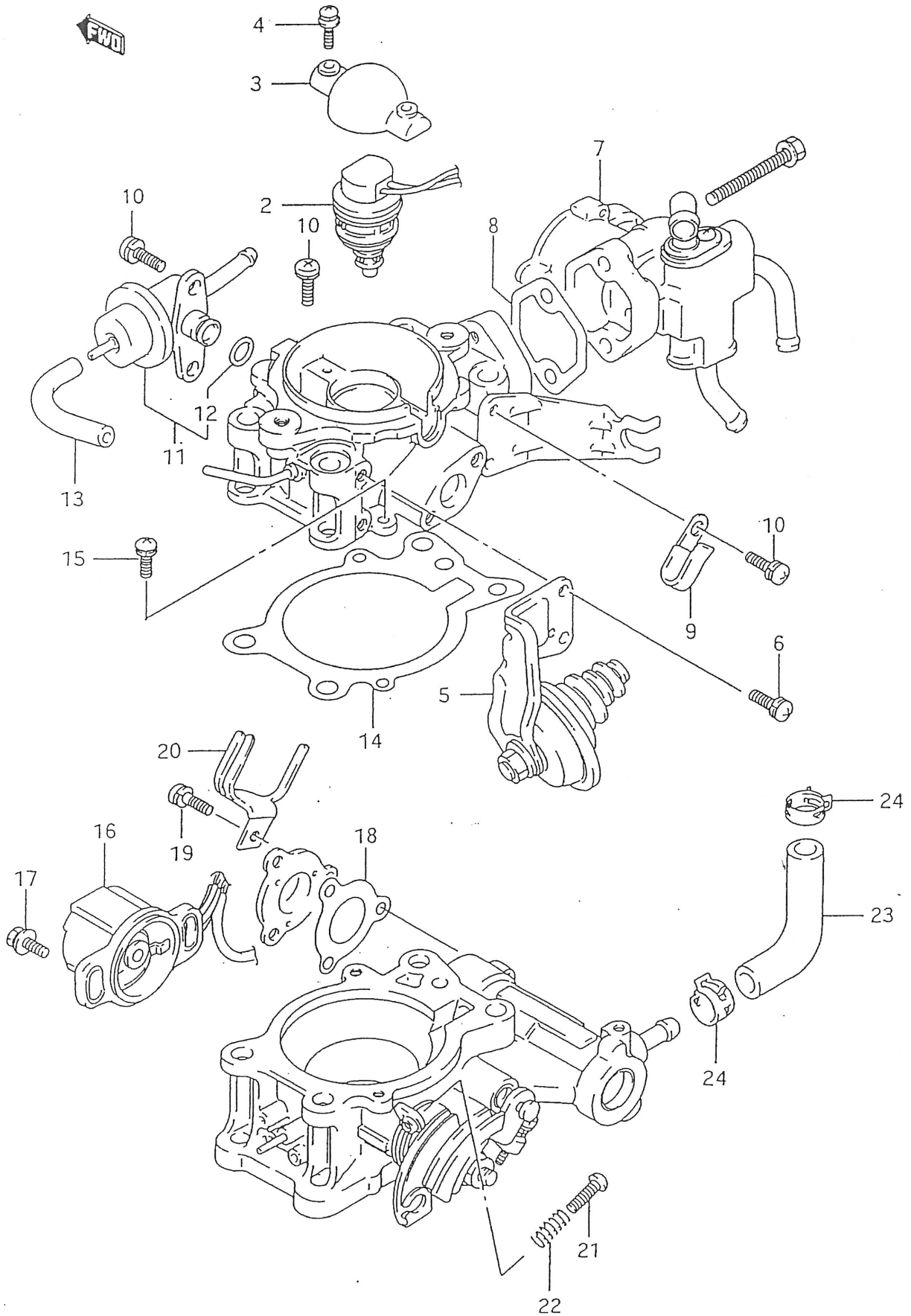


FIG. 020 (1-C-10) AIR CLEANER (2 VALVE)

REF. N.º	PART N.º	DESCRIPTION	Q, TY		REMARKS
			C	V	
1	13700-61A01	CLEANER ASSY, AIR	1	1	
2	13780-61A00	.FILTER, AIR CLEANER	1	1	
3	02112-16203	.SCREW	6	6	
4	13813-61A00	.GROMMET SET	2	2	
5	01550-06253	BOLT	2	2	
6	09308-15006	GROMMET	1	1	
7	13871-56B00	HOSE, AIR CLEANER INLET	1	1	
8	09402-68202	CLAMP	1	1	
9-1	13880-61A00	HOSE ASSY, OUTLET	1	1	
9-2	13880-86CA0	HOSE ASSY, OUTLET	1	1	1.9 DIESEL
10	13891-61A00	CLAMP	1	1	
11	09402-82511	CLAMP	1	1	
12	13830-56B00	CASE, AIR INTAKE	1	1	
13	13840-56B00	COVER, INTAKE AIR CASE	1	1	
14	02142-06123	SCREW	4	4	
15	13845-56B00	INSULATOR, AIR INTAKE CASE	1	1	
16	13850-56B00	STIFFENER, CASE	1	1	
17	01550-08163	BOLT	2	2	
18	09354-90143-600	HOSE, ISC (L:600>340)	1	1	
19	18119-85C50	CLIP, ISC HOSE	2	2	
20	13879-81050	SEAL, AIR INTAKE CASE	1	1	
21	01421-06303	BOLT	1	1	
22	01421-06653	BOLT	1	1	
23	08316-10063	NUT	2	2	
24	13861-61A01	PLATE, AIR INTAKE CASE	1	1	
25	01550-08163	BOLT	2	2	
26	13850-61A02	BRACKET, AIR INTAKE CASE	1	1	
27	01550-08123	BOLT	2	2	
28	01550-08163	BOLT	2	2	
29	13820-56B00	CASE, AIR CLEANER SUCTION	1	1	
30	13829-56B01	CLAMP, SUCTION CASE	2	2	
31	08316-10063	NUT	4	4	
32	13814-61A00	CUSHION, AIR CLEANER	1	1	



FIG. 20

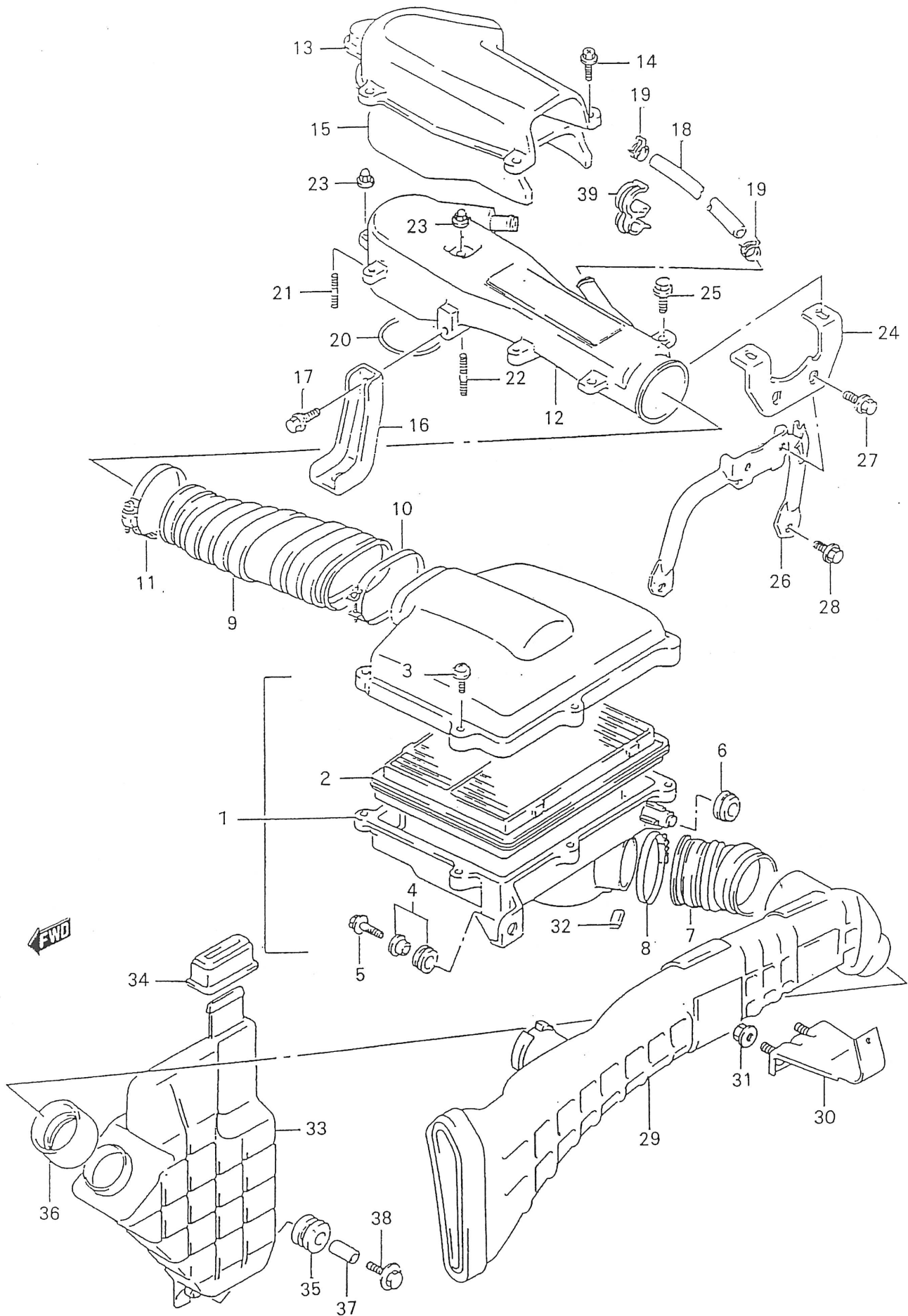


FIG. 024 (1-C-15) MUFFLER (2 VALVE)

REF. N.º	PART N.º	DESCRIPTION	Q, TY		REMARKS
			C	V	
1	14190-58B01	PIPE, EXHAUST NO.1	1	1	
2	14183-58B02	RING, SEAL	2	2	
3	14492-85C00	SPRING	4	4	
4	09119-10041	BOLT	2	2	
5	14493-85C00	BOLT	2	2	
6	14250-58B20	PIPE, EXHAUST NO.2	1	1	
7	14281-71C00	MOUNTING, MUFFLER	2	2	
8	09180-08057	SPACER (8.2X12.5X23.5)	6	6	
9	01550-08353	BOLT	6	6	
10	14300-58B10	MUFFLER	1	1	
11	14182-58B10	GASKET, MUFFLER	1	1	
12	14494-85C00	NUT	2	2	
13	14281-78010	MOUNTING, MUFFLER	1	1	
14	14281-58B00	MOUNTING, MUFFLER	2	2	

FIG. 25

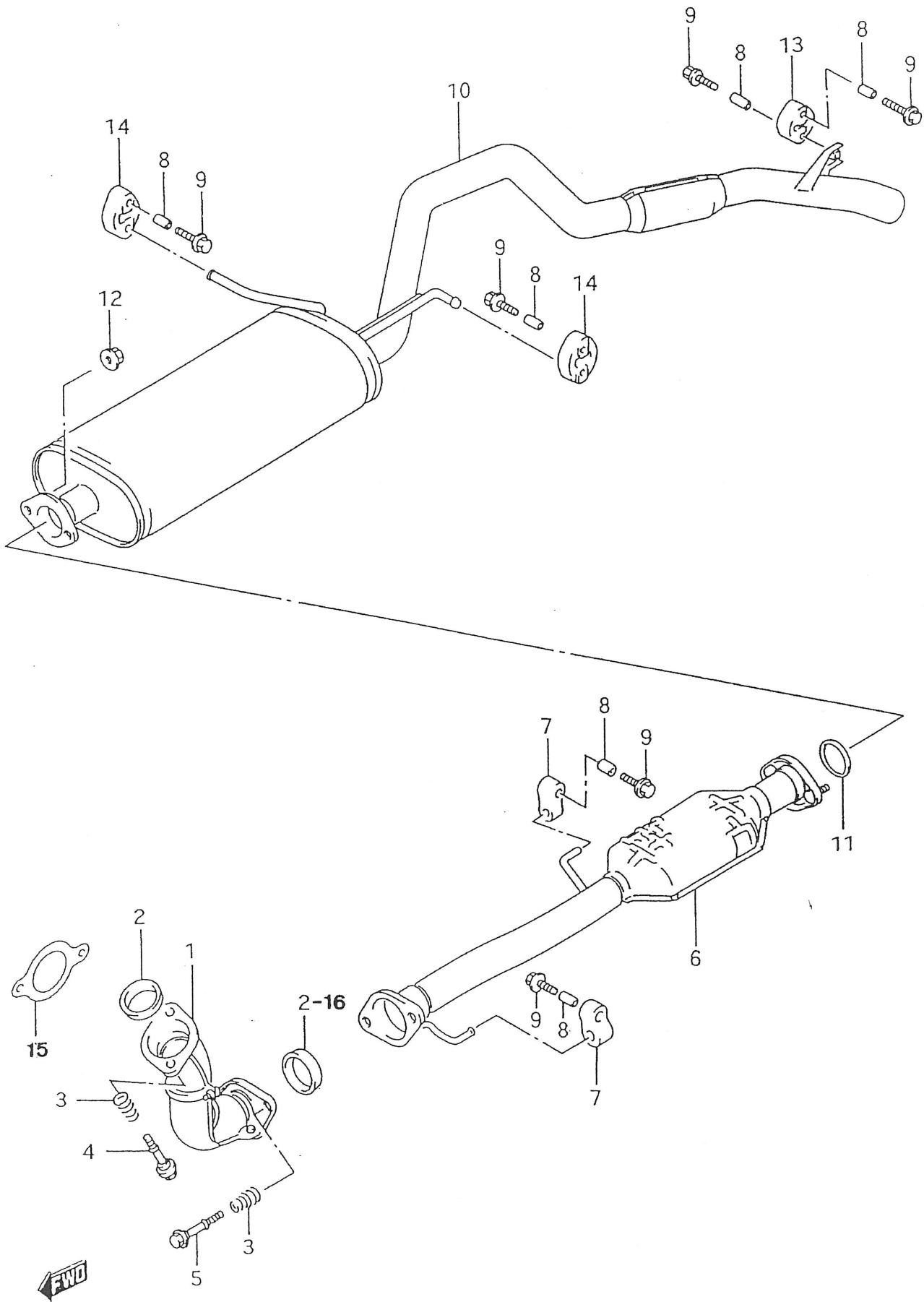


FIG. 025 (1-D-02) MUFFLER (4 VALVE: 3DR)

REF. N.º	PART N.º	DESCRIPTION	Q, TY		REMARKS
			C	V	
1-1	14190-58B01	PIPE, EXHAUST NO.1	1	1	
1-2	14190-86CA0	PIPE, EXHAUST NO.1	1	1	1.9 DIESEL
2	14183-58B02	RING, SEAL	2	2	
3-1	14492-85C00	SPRING	4	4	
3-2	14492-82600	SPRING, EXH. PIPE	2	2	1.9 DIESEL
4-1	09119-10041	BOLT (10X65)	2	2	
4-2	09119-10042	BOLT, EXH. PIPE	2	2	1.9 DIESEL
5	14493-85C00	BOLT	2	2	
6-1	14250-58B20	PIPE, EXHAUST NO.2	1	1	
6-2	14250-86CA0	PIPE, EXHAUST NO.2	1	1	1.9 DIESEL
7	14281-71C00	MOUNTING, MUFFLER	2	2	
8-1	09180-08057	SPACER (8.2X12.5X23.5)	6	6	
8-2	09180-08095	SPACER MUFF. MOUNTING	2	2	1.9 DIESEL
9	01550-08353	BOLT	6	6	
10	14300-58B10	MUFFLER	1	1	
11	14182-58B10	GASKET, MUFFLER	1	1	
12	14494-85C00	NUT	2	2	
13	14281-78010	MOUNTING, MUFFLER	1	1	
14	14281-58B00	MOUNTING, MUFFLER	2	2	
15	14183-86CA0	RING, SEAL	1	1	1.9 DIESEL
16	14183-58B02	RING, SEAL	1	1	1.9 DIESEL

FIG. 26

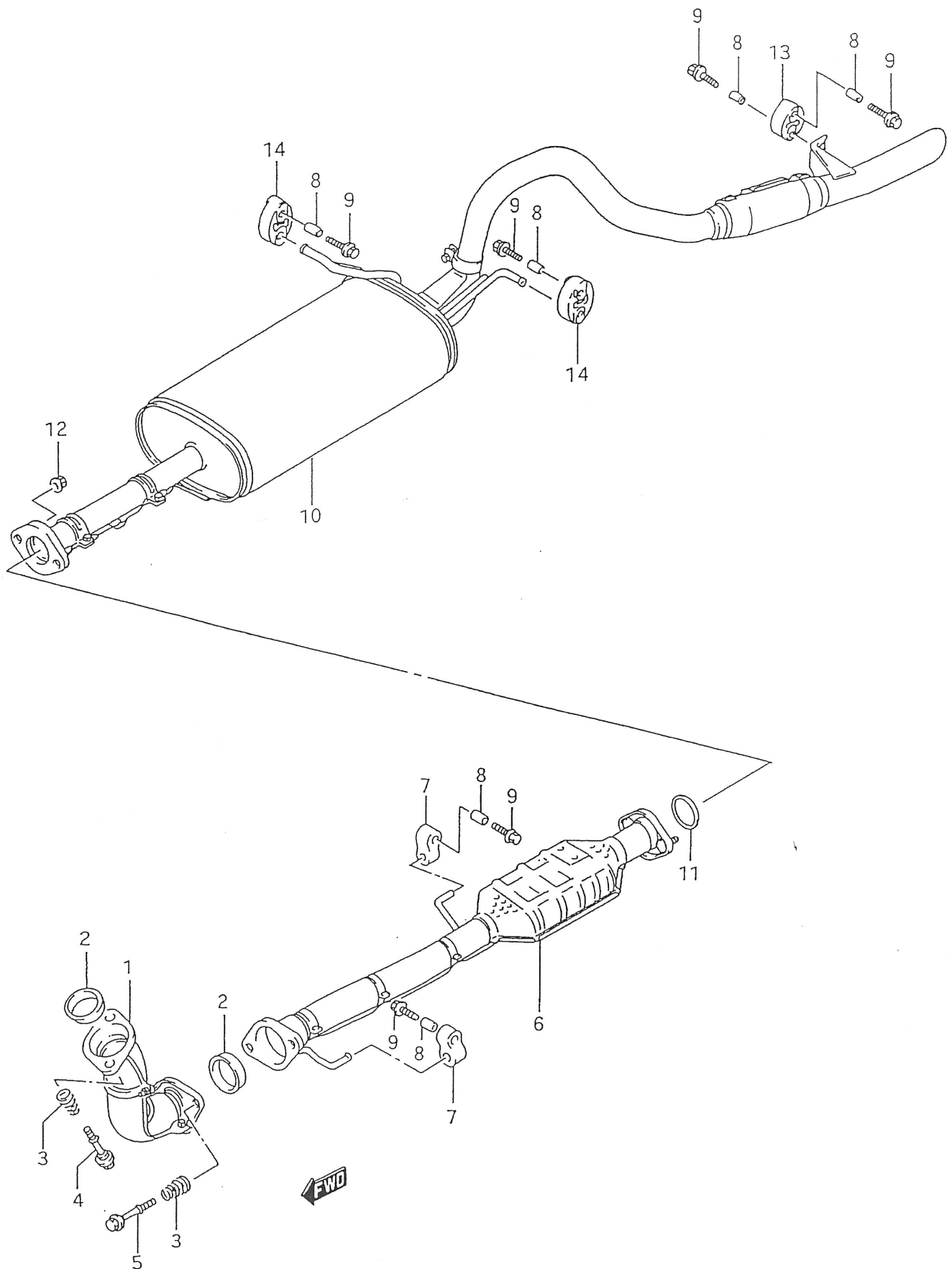


FIG. 026 (1-D-03) MUFFLER (4 VALVE: 5DR)

REF. N.º	PART N.º	DESCRIPTION	Q, TY		REMARKS
			C	V	
1	14190-58B01	PIPE, EXHAUST NO.1		1	
2	14183-58B02	RING, SEAL		2	
3	14492-85C00	SPRING		4	
4	09119-10041	BOLT (10X65)		2	
5	14493-85C00	BOLT		2	
6	14250-58B20	PIPE, EXHAUST NO.2		1	
7	14281-71C00	MOUNTING, MUFFLER		2	
8	09180-08057	SPACER (8.2X12.5X23.5)		6	
9	01550-08353	BOLT		6	
10	14300-58B51	MUFFLER		1	
11	14182-58B10	GASKET, MUFFLER		1	
12	14494-85C00	NUT		2	
13	14281-78010	MOUNTING, MUFFLER		1	
14	14281-58B00	MOUNTING, MUFFLER		2	

FIG. 27

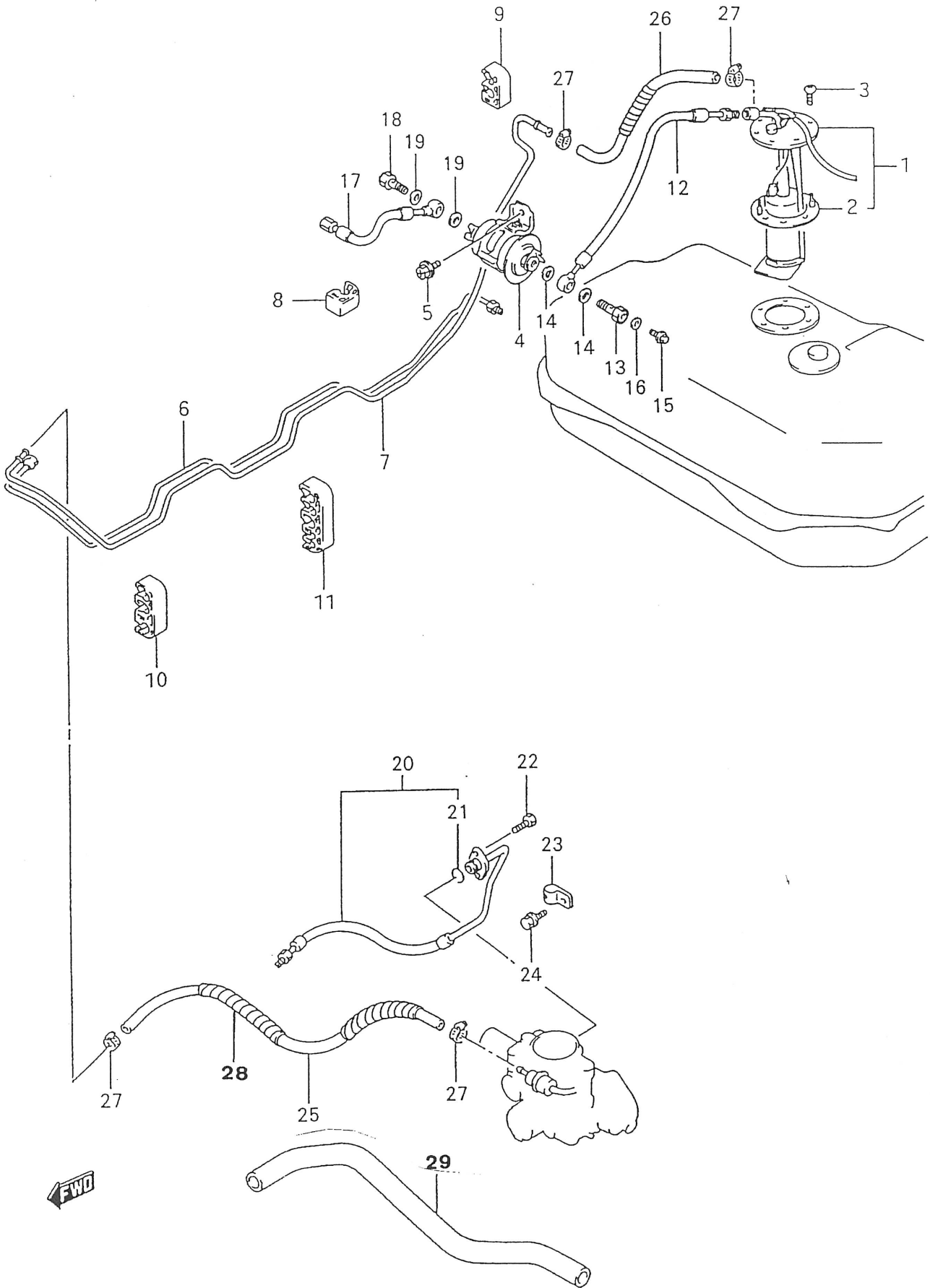
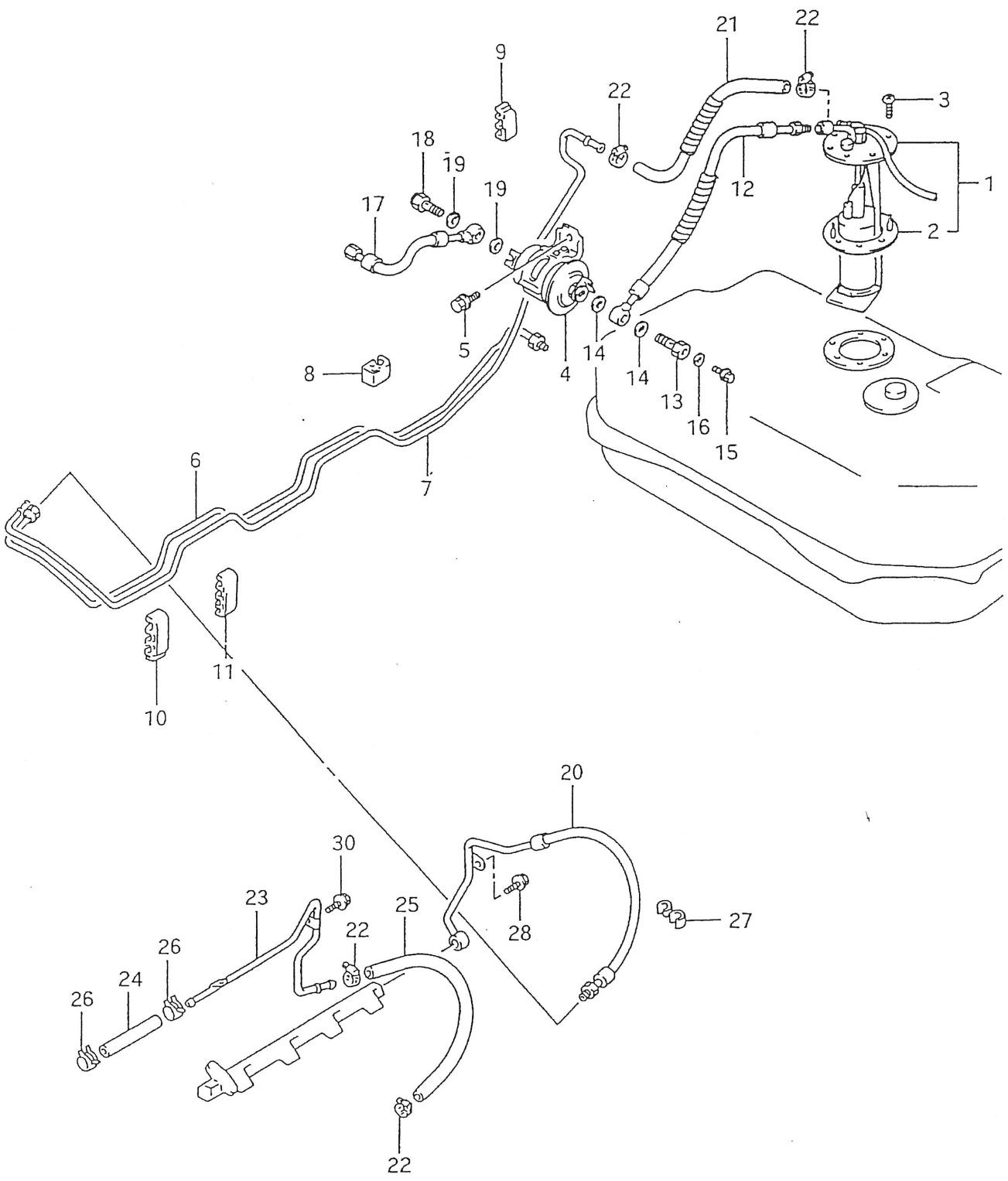


FIG. 027 (1-D-04) FUEL PUMP (2 VALVE)

REF. N.º	PART N.º	DESCRIPTION	Q, TY		REMARKS
			C	V	
1	15100-61A02	PUMP ASSY, FUEL	1	1	
2	15111-61A00	.GASKET, FUEL PUMP	1	1	
3	15329-85C00	SCREW	6	6	
4	15410-61A00	FILTER, FUEL	1	1	
5	01514-06123	BOLT	2	2	
6-1	15820-61A22	PIPE, FUEL	1	1	
6-2	15820-86CA0	PIPE, FUEL	1	1	1.9 DIESEL
7-1	15861-60A20	PIPE, FUEL RETURN	1	1	
7-2	15861-86CA0	PIPE, FUEL RETURN	1	1	1.9 DIESEL
8	15893-67B00	CLAMP, FUEL PIPE	1	1	
9	15892-60A00	CLAMP, FUEL PIPE	3	3	
10-1	15893-60A00	CLAMP, FUEL PIPE	3	3	
10-2	15893-86CA0	CLAMP, FUEL PIPE	5	5	1.9 DIESEL
11-1	15895-60A00	CLAMP, FUEL PIPE	4	4	
11-2	15895-86CA0	CLAMP, FUEL PIPE	4	4	1.9 DIESEL
12-1	15810-61A01	HOSE, FUEL TANK TO FILTER	1	1	
12-2	15810-86CA0	HOSE, FUEL	1	1	1.9 DIESEL
13	13923-85551	BOLT, FUEL UNION	1	1	
14	13925-85553	GASKET, UNION BOLT	2	2	
15	17568-50F00	PLUG, UNION	1	1	
16	09168-06023	GASKET	1	1	
17-1	15840-61A01	HOSE, FULTER TO PIPE	1	1	
17-2	15840-86CA0	HOSE, PIPE TANK TO PIPE COMP.	1	1	1.9 DIESEL
18	09360-12008	BOLT, FUEL UNION	1	1	
19	13925-85553	GASKET, UNION BOLT	2	2	
20-1	15830-61A00	HOSE, PIPE TO THROTTLE BODY	1	1	
20-2	15870-86CA0	HOSE, PIPE FUEL RET. TO PIPE COMP.	1	1	1.9 DIESEL
21	15710-09300	.O RING	1	1	
22	01570-06163	BOLT	2	2	
	08321A31063	SPRING WASHER	2	2	
23	09403-08404	CLAMP, HOSE	1	1	
24	01517-06102	BOLT	1	1	
25-1	15870-61A00	HOSE, BODY TO RETURN PIPE	1	1	
25-2	15870-86CB0	HOSE, FUEL RETURN	1	1	1.9 DIESEL
26-1	15850-77X50	HOSE, RETURN PIPE TO TANK	1	1	L:440>360
26-2	15864-86CA0	HOSE, RETURN PIPE TO TANK	1	1	1.9 DIESEL
27	15899-85C00	CLAMP, HOSE	4	4	
28	15870-86CC0	PROTECTOR, FUEL RETURN HOSE	1	1	1.9 DIESEL
29	15840-86CB0	HOSE, PIPE INLET FILTER	1	1	1.9 DIESEL
30	08011-86CA0	CLAMP, PIPE RETURN HOSE/AIR DIVIDER DRAIN HOSE	1	1	1.9 DIESEL



FIG. 28



← FWD

## FIG. 034 (1-D-11) RADIATOR (4 VALVE)

REF. N.º	PART N.º	DESCRIPTION	Q, TY		REMARKS
			C	V	
1-1	17700-85C01	RADIATOR ASSY	1	1	3DR:MT
1-2	17700-60A12	RADIATOR ASSY	1	1	3DR:AT
1-3	17700-85C10	RADIATOR ASSY	-	1	5DR:MT
1-4	17700-56B11	RADIATOR ASSY	-	1	5DR:AT
1-5	17700-86CA0	RADIATOR ASSY	-	1	1.9 DIESEL
2-1	17920-85C00	.CAP	1	1	3DR:MT
2-2	17920-66F00	.CAP	1	1	3DR:AT
2-3	17920-66F00	.CAP	-	1	5DR
3-1	17751-85C00	.PLUG, DRAIN	1	1	3DR:MT
3-2	17751-61A00	.PLUG, DRAIN	1	1	3DR:AT
3-3	17751-61A00	.PLUG, DRAIN	-	1	5DR
4-1	17759-85C00	.O RING	1	1	3DR:MT
4-2	17759-72010	.O RING	1	1	3DR:AT
4-3	17759-72010	.O RING	-	1	5DR
5	01550-06203	BOLT	2	2	
6	17812-82000	BUSH, RADIATOR SUPPORT	2	2	
7-1	17761-60A01	SHROUD, FAN	1	1	3DR
7-2	17761-56B00	SHROUD, FAN	-	1	5DR
8	01550-06123	BOLT	4	4	
9	17931-58B00	TANK, WATER RESERVE	1	1	
10	17932-60A10	CAP, WATER RESERVE TANK	1	1	
11	17933-60B00	RUBBER, TANK CAP	1	1	
12	09352-70111-600	HOSE, WATER RESERVE TANK CAP	1	1	L:600>150
13	17938-58B00	HOSE, RESERVE TANK VENT PIPE	1	1	
14	09407-05406	CLAMP	1	1	
15	17939-58B00	HOSE, RADIATOR TO TANK	1	1	

FIG. 35

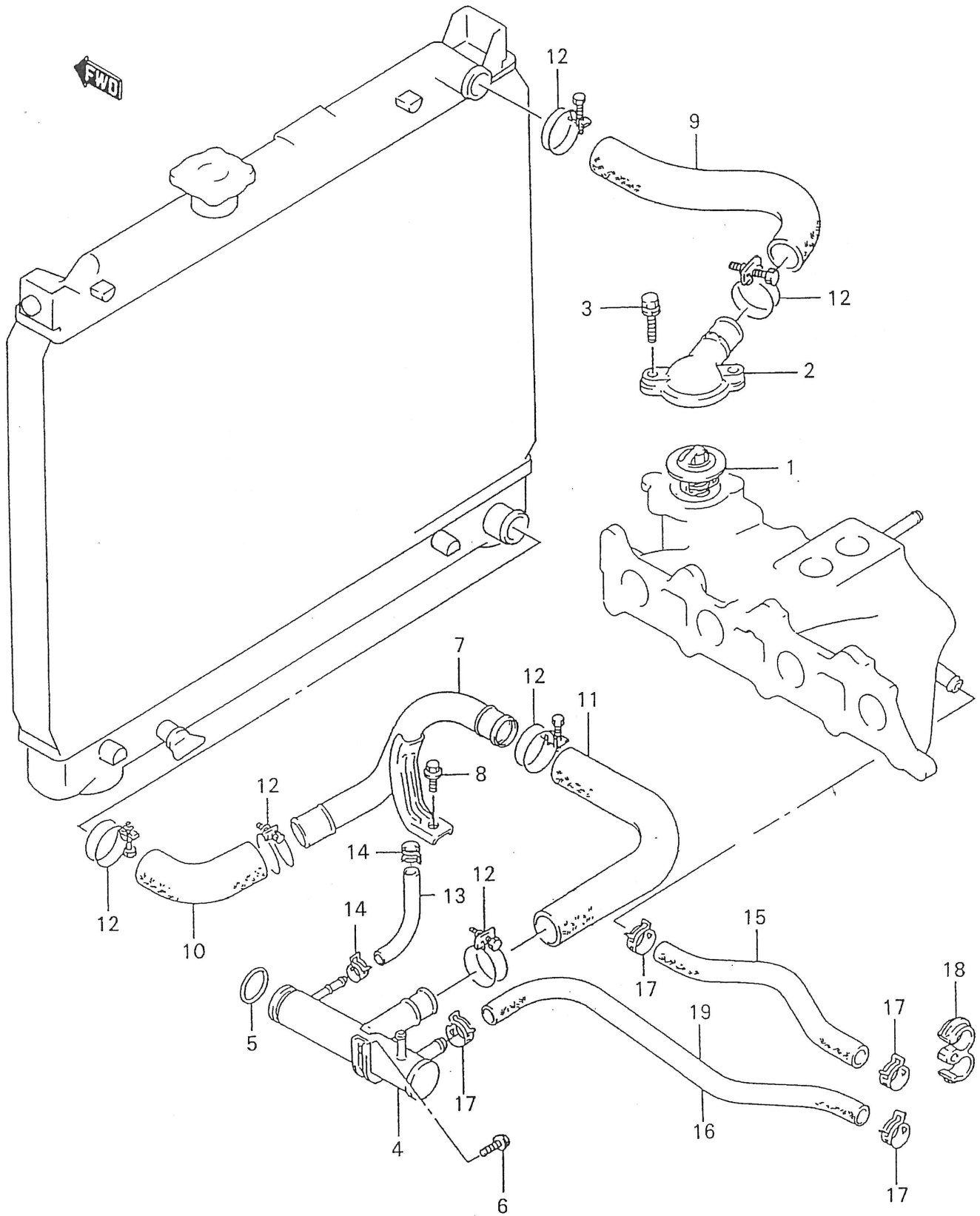


FIG. 035 (1-D-12) WATER HOSE (2 VALVE)

REF. N.º	PART N.º	DESCRIPTION	Q, TY		REMARKS
			C	V	
1	17670-85C00	THERMOSTAT ASSY, WATER (82 C)	1	1	
2	17561-73000	CAP, THERMOSTAT	1	1	
3	09103-08341	BOLT	2	2	
4	17550-60A20	PIPE, WATER INLET	1	1	
5	09280-28008	O RING	1	1	
6	01550-06103	BOLT	1	1	
7	17860-60A10	PIPE, RADIATOR OUTLET	1	1	
8	01550-08123	BOLT	1	1	
9	17841-85C00	HOSE, RADIATOR INLET	1	1	
10	17851-85C00	HOSE, RADIATOR OUTLET NO.1	1	1	
11	17852-85C00	HOSE, RADIATOR OUTLET NO.2	1	1	
12	09400-36312	CLAMP, RADIATOR HOSE	6	6	
13	17859-85C00	HOSE, WATER BYPASS	1	1	
14	17879-85C00	CLIP, BYPASS HOSE	2	2	
15	17871-85C00	HOSE, HEATER INLET	1	1	
16	17872-85C00	HOSE, HEATER OUTLET	1	1	
17	11196-85C00	CLIP, HEATER HOSE	4	4	
18	09408-00117	CLIP, HEATER HOSE	1	1	

FIG. 36

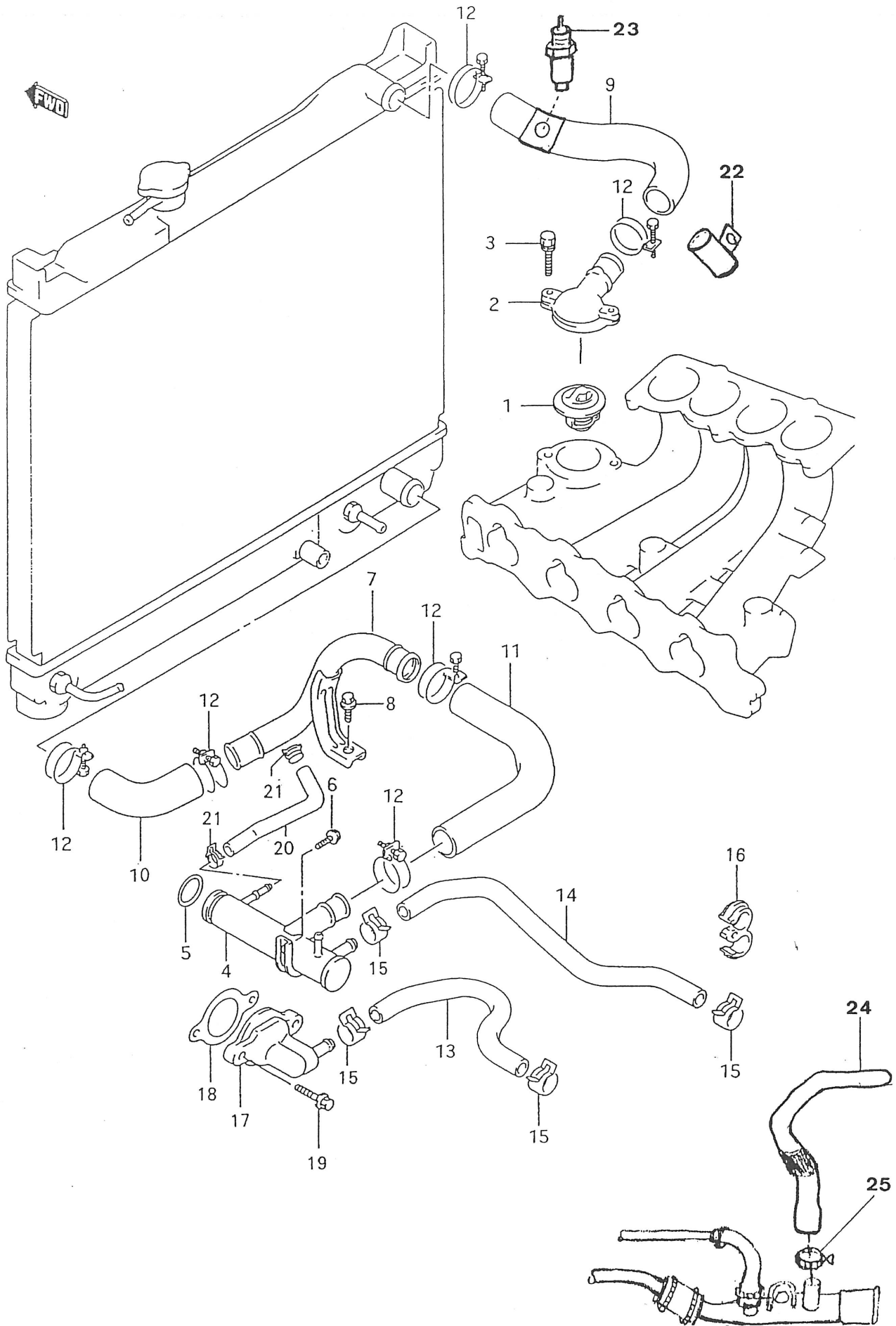


FIG. 036 (1-D-13) WATER HOSE (4 VALVE)

REF. N.º	PART N.º	DESCRIPTION	Q, TY		REMARKS
			C	V	
1-1	17670-85C00	THERMOSTAT ASSY, WATER (82 C)	1	1	E2
1-2	17600-60823	THERMOSTAT ASSY, WATER (88 C)	1	1	E22
2	17561-58B00	CAP, WATER THERMOSTAT	1	1	
3	09103-08341	BOLT	2	2	
4	17550-58B00	PIPE, WATER INLET	1	1	
5	09280-28008	O RING	1	1	
6	01550-06103	BOLT	1	1	
7	17860-60A10	PIPE, RADIATOR OUTLET	1	1	
8	01550-08123	BOLT	1	1	
9-1	17841-58B10	HOSE, RADIATOR INLET	1	1	
9-2	17841-86CA0	HOSE, RADIATOR INLET	1	1	1.9 DIESEL
10-1	17851-85C00	HOSE, RADIATOR OUTLET NO.1	1	1	3DR
10-2	17851-56B01	HOSE, RADIATOR OUTLET NO.1	-	1	5DR
10-3	17851-86CA0	HOSE, RADIATOR OUTLET NO.1	1	1	1.9 DIESEL
11	17852-85C00	HOSE, RADIATOR OUTLET NO.2	1	1	
12-1	09400-36312	CLAMP	6	6	
12-2	09402-46511	CLAMP	6	6	1.9 DIESEL
13	17871-57B02	HOSE, HEATER INLET	1	1	
14	17872-85C00	HOSE, HEATER OUTLET	1	1	
15-1	11196-85C00	CLIP	4	4	
15-2	09401-18403	CLAMP	2	2	1.9 DIESEL
16	09408-00117	CLIP	1	1	
17	17570-57B00	CAP, WATER OUTLET	1	1	
18	17699-60B02	GASKET, THERMOSTAT CASE	1	1	
19	01550-08253	BOLT	2	2	
20	17859-58B00	HOSE, WATER BYPASS	1	1	
21	17879-85C00	CLIP	2	2	
22	17841-86CD0	HOSE, RADIATOR	1	1	1.9 DIESEL
23	25331-86CA0	TERMOCONTACTO	1	1	1.9 DIESEL
24	17841-86CB0	INLET HOSE, TANK RESERVOIR	1	1	1.9 DIESEL
25	08313-86CA0	CLAMP	1	1	1.9 DIESEL

FIG. 37

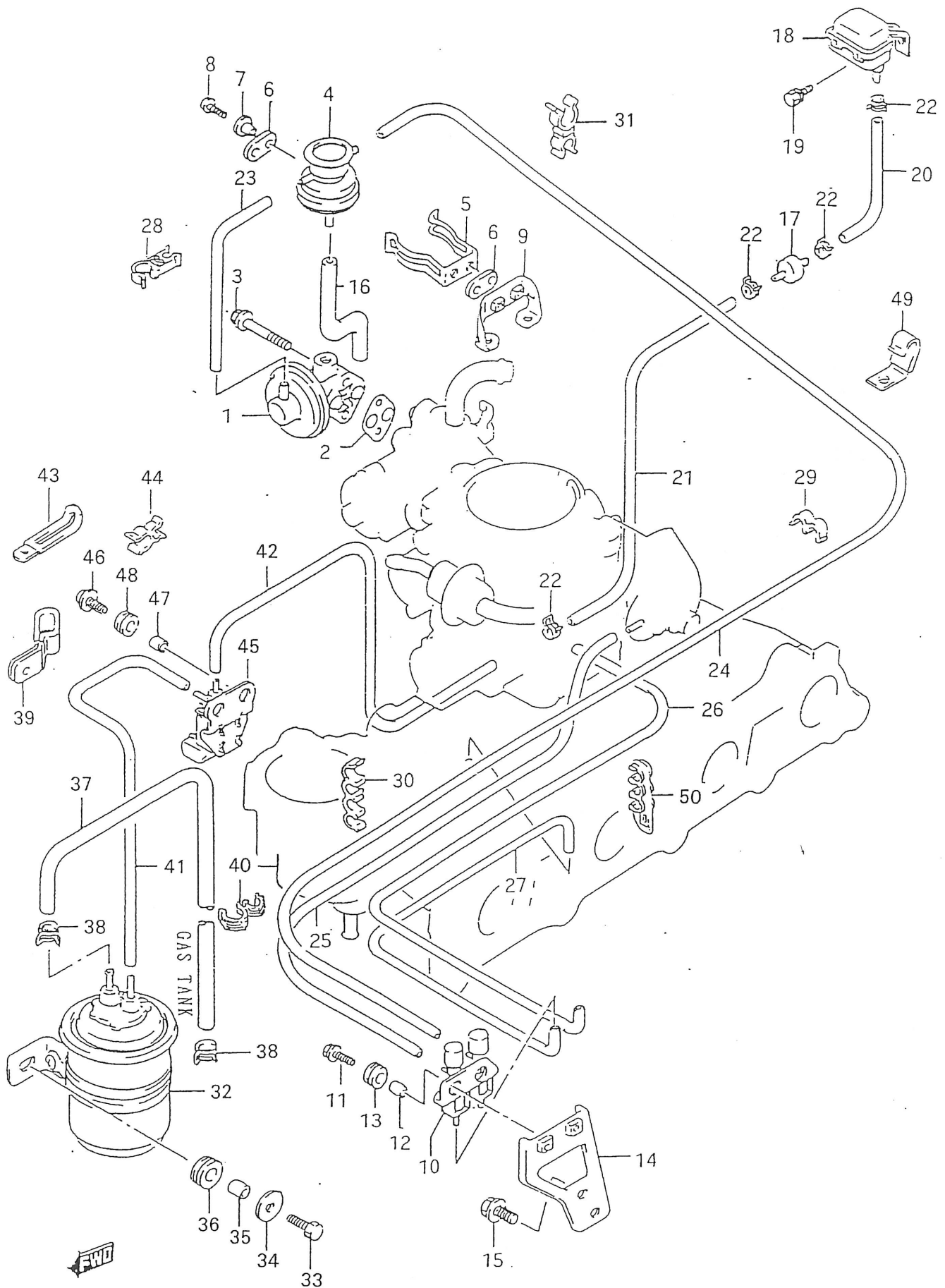


FIG. 038 (1-E-03) EMISSION CONTROL SYSTEM (4 VALVE)

REF. N.º	PART N.º	DESCRIPTION	Q, TY		REMARKS
			C	V	
32	18119-85C30	CLAMP	1	1	
33	09408-00137	CLAMP	1	1	
34	09408-00111	CLAMP	1	1	
35	18117-58B10	SOLENOID, DUTY	1	1	
36	08316-10063	NUT	1	1	
37	18117-58B00	VALVE, ISC	1	1	
38	18139-58B00	GASKET, ISC VALVE	1	1	
39	01550-06453	BOLT	2	2	
40	18141-58B00	HOSE, ISC NO.1	1	1	
41	18142-58B00	HOSE, ISC NO.2	1	1	
42	18145-58B00	CHAMBER, ISC	1	1	
43	09401-15404	CLIP	3	3	
44	11196-85C00	CLIP, ISC HOSE	1	1	
45	09408-00067	CLAMP	1	1	



FIG. 39

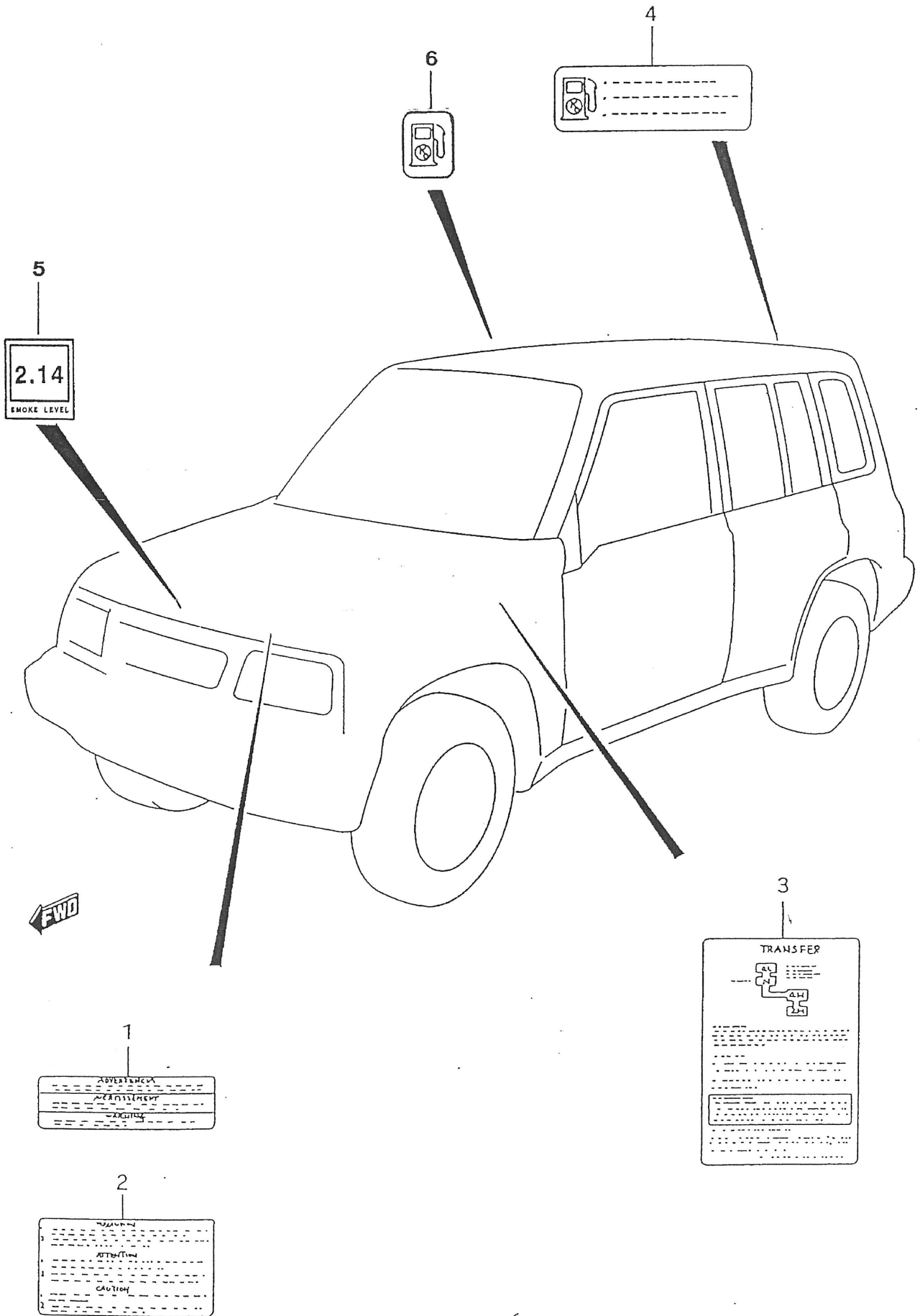
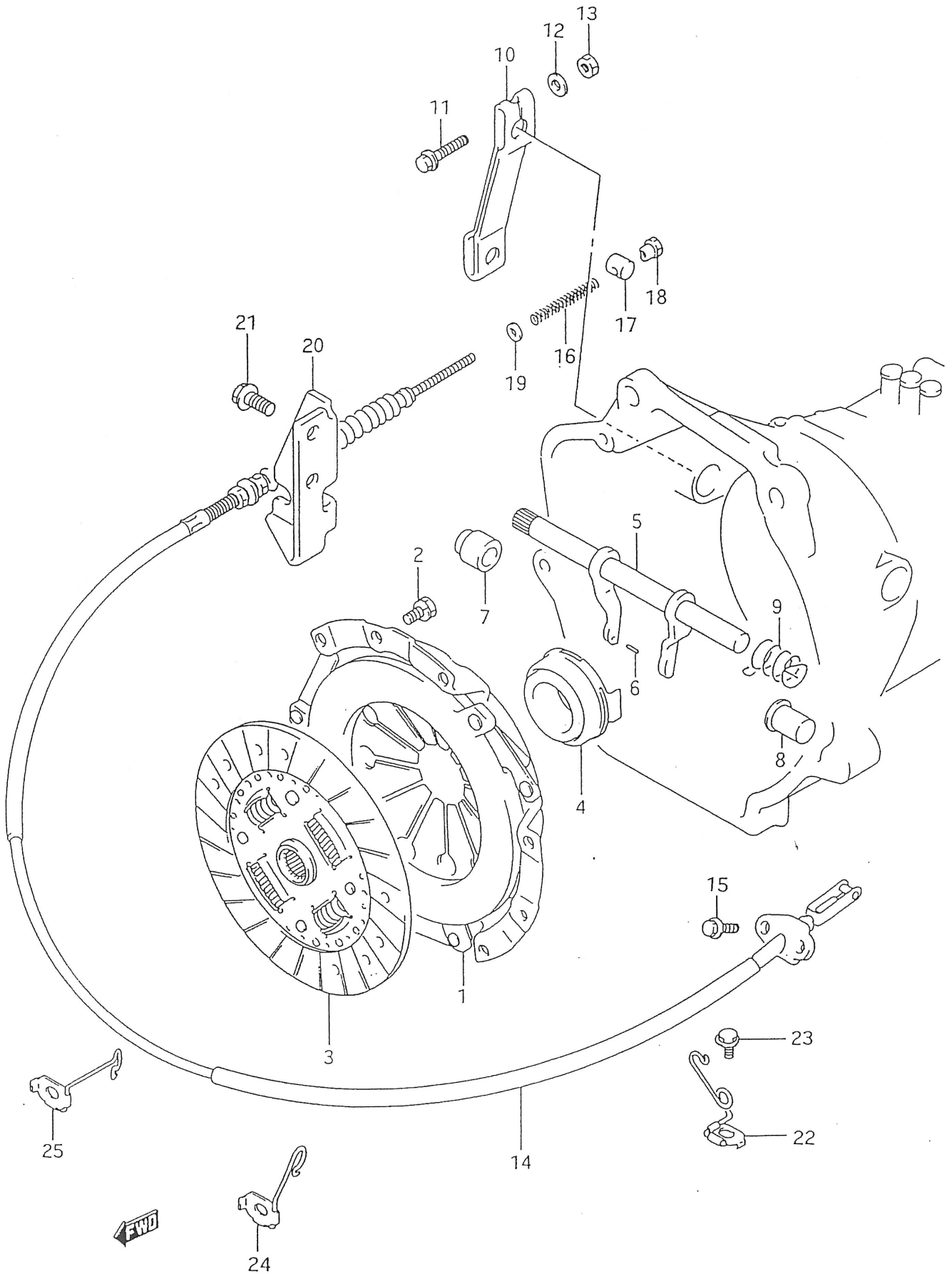


FIG. 039 (1-E-04) LABEL

REF. N.º	PART N.º	DESCRIPTION	Q, TY		REMARKS
			C	V	
1	11958-85C00	LABEL, COOLING FAN CAUTION	1	1	
2	17998-82012	LABEL, COOLING WATER CAUTION	1	1	
3-1	28381-60A01	EMBLEM, TRANSFER GEAR SHIFT	1	1	
3-2	28381-60A60	EMBLEM, TRANSFER GEAR SHIFT	1	1	E22
4	11959-60E00	LABEL, FUEL LIMITATION	1	1	
5	11032-86CA0	LABEL, SMOKE LEVEL	1	1	1.9 DIESEL
6	11959-86CA0	LABEL, DIESEL	1	1	1.9 DIESEL

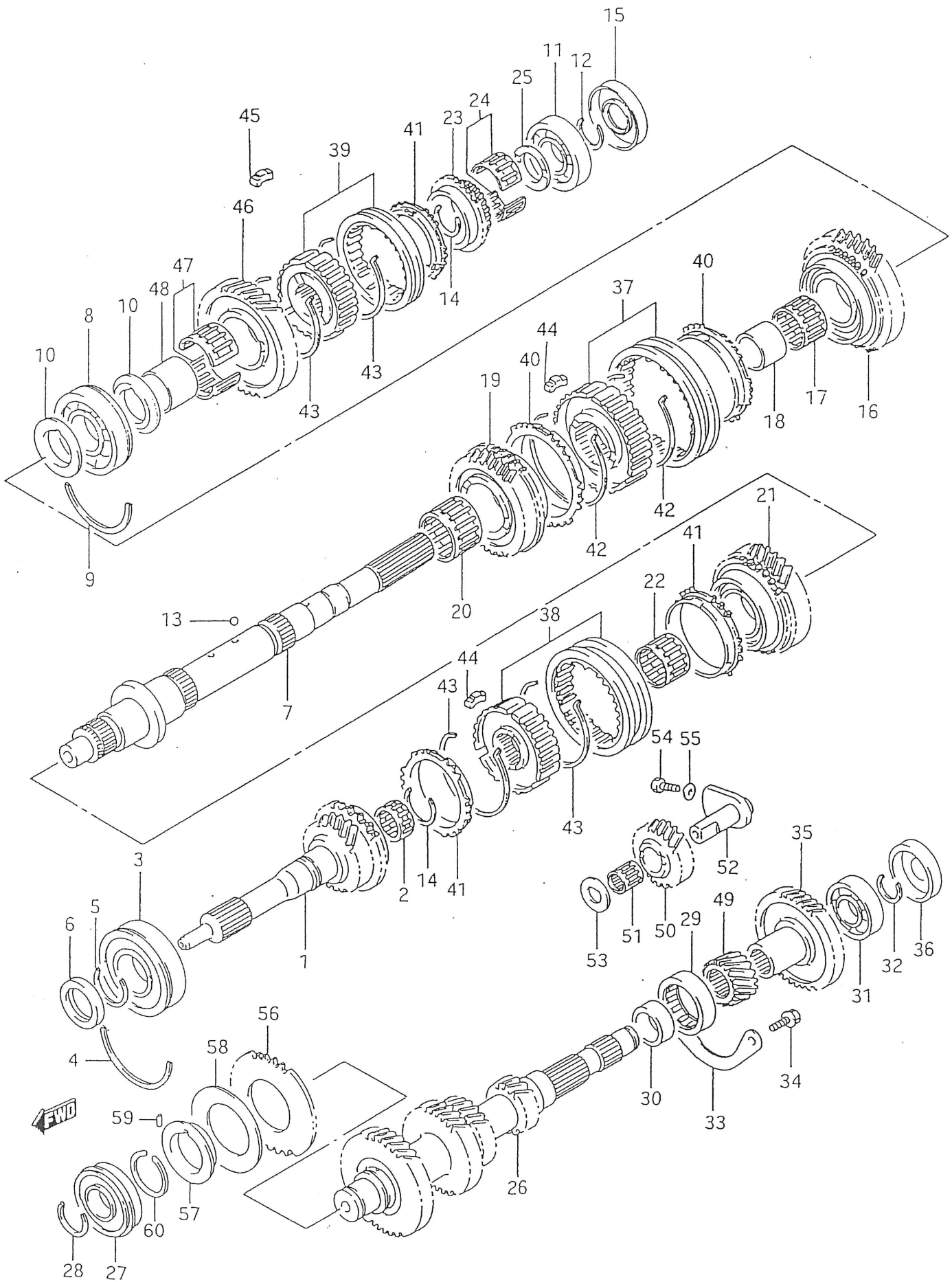
FIG. 40



## FIG. 040 (1-F-02) CLUTCH AND CLUTCH CONTROL

REF. N.º	PART N.º	DESCRIPTION	Q, TY		REMARKS
			C	V	
1-1	22100-57B10-R	COVER ASSY, CLUTCH	1	1	
1-2	22100-86CA0	COVER ASSY, CLUTCH	1	1	1.9 DIESEL
2	01570-08163	BOLT	6	6	
3-1	22400-57B10-R	DISC, CLUTCH	1	1	
3-2	22400-86CA0	DISC, CLUTCH	1	1	1.9 DIESEL
4	23265-70C00	BEARING, CLUTCH RELEASE	1	1	
5-1	23260-60A00	SHAFT, CLUTCH RELEASE	1	1	
5-2	23260-86CA0	SHAFT, CLUTCH RELEASE	1	1	1.9 DIESEL
6	09205-03019	PIN	1	1	
7	23264-60A00	BUSH	1	1	
8	23264-60A20	BUSH	1	1	
9	23269-60A00	SPRING	1	1	
10	23266-60A00	ARM, CLUTCH RELEASE	1	1	
11	01550-08403	BOLT	1	1	
12	08322-01083	WASHER	1	1	
13	08316-10083	NUT	1	1	
14-1	23710A60A11	CABLE ASSY, CLUTCH	1	1	2 VALVE:LHD
14-2	23710-60A01	CABLE ASSY, CLUTCH	1	1	2 VALVE:RHD
14-3	23710-57B11	CABLE ASSY, CLUTCH	1	1	4 VALVE:LHD
14-4	23710-57B01	CABLE ASSY, CLUTCH	1	1	4 VALVE:RHD
14-5	23710-57B01	CABLE ASSY, CLUTCH	1	1	1.9 DIESEL
15	01550-06163	BOLT	2	2	
16	09440-08026	SPRING	1	1	
17	09209-13018	PIN	1	1	
18-1	09150-06014	NUT	1	1	
18-2	09150-86CA1	NUT	1	1	1.9 DIESEL
19	08322-01063	WASHER	1	1	
20-1	23910-56B10	BRACKET, CLUTCH CABLE	1	1	
20-2	23911-56B00	BRACKET, CLUTCH CABLE	1	1	3DR:E2,E53
20-3	23910-56B10	BRACKET, CLUTCH CABLE	1	1	1.9 DIESEL
21-1	01550-10203	BOLT	2	2	
21-2	01550-10163	BOLT	2	2	1.9 DIESEL
22-1	23915-60A20	CLAMP, CLUTCH CABLE NO.1	1	1	LHD
22-2	23915-57B01	CLAMP, CLUTCH CABLE NO.1	1	1	RHD
23	01550-06103	BOLT	1	1	
24	23916-60A00	CLAMP, CLUTCH CABLE NO.2	1	1	
25	01550-06123	BOLT	1	1	

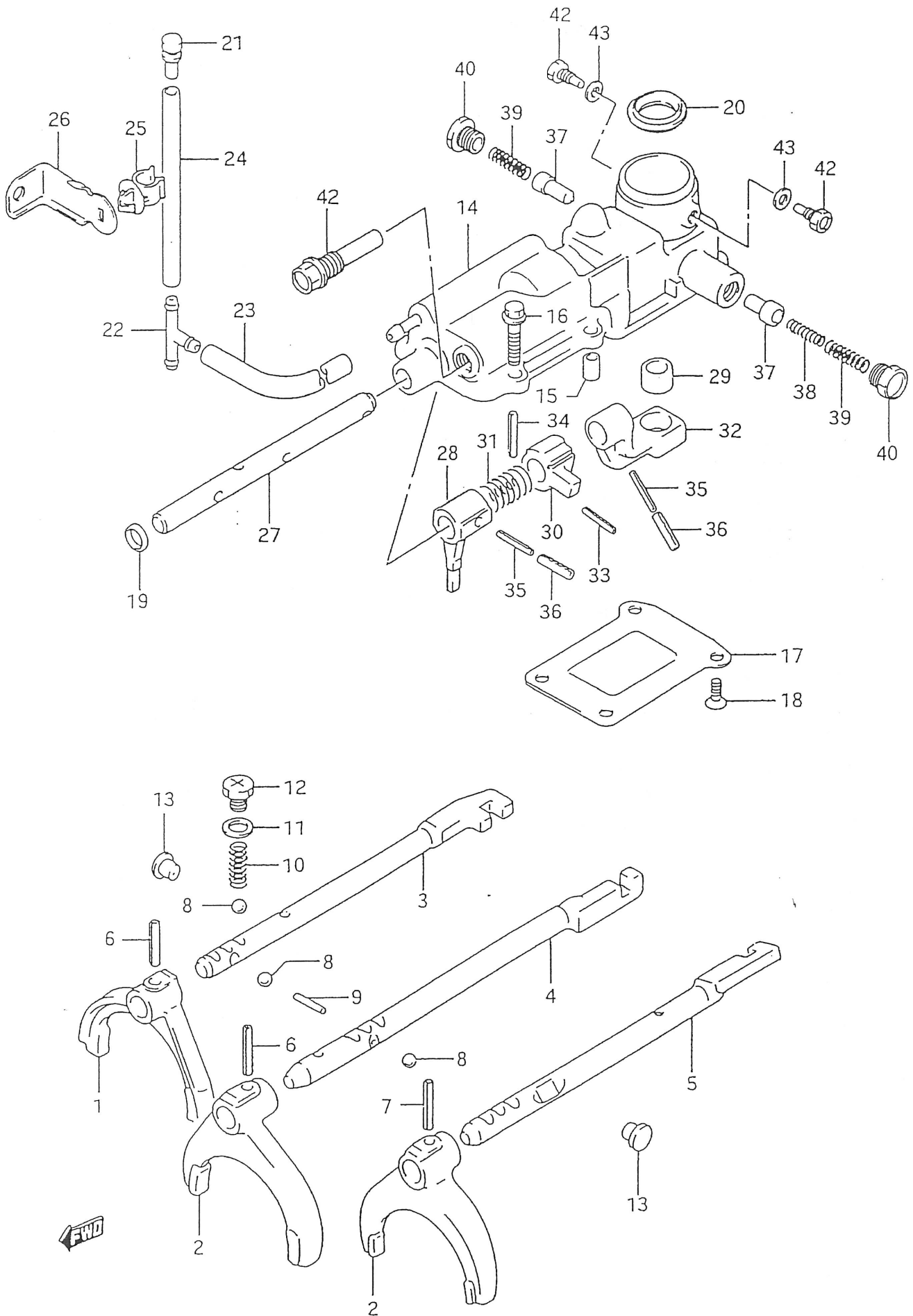
FIG. 41



## FIG. 042 (1-F-05) TRANSMISSION CASE

REF. N.º	PART N.º	DESCRIPTION	Q, TY		REMARKS
			C	V	
1	24700-60A01	CASE ASSY, TRANSMISSION	1	1	
2	04211-13149	.PIN	4	4	
3	01550-08303	.BOLT	6	6	
4	09103-08013	.BOLT	1	1	
5	09103-08134	.BOLT (8X110)	1	1	
6	09103-08131	.BOLT (8X120)	2	2	
7	01550-08303	.BOLT	12	12	
8-1	21341-77E00	HOUSING, CLUTCH	1	1	
8-2	21341-86CA0	HOUSING, CLUTCH	1	1	1.9 DIESEL
9	04211-13149	PIN	2	2	
10	01550-10403	BOLT	6	6	
11	01550-10503	BOLT	2	2	
12	24741-60A01	RETAINER, INPUT SHAFT BEARING	1	1	
13	09103-08153	BOLT (8X30)	8	8	
14	21947-85C40	PLUG, OIL FILLER & LEVEL	1	1	
15	21947-85C50	PLUG, OIL DRAIN	1	1	
16	37610-83001	SWITCH ASSY, BACK UP LAMP	1	1	
17	09280-11002	.O RING	1	1	
18	11851-62B00	HOOK, ENGINE	1	1	
19	09206-15001	PIN	2	2	
20-1	01550-12653	BOLT	1	1	
20-2	00057-86CA0	BOLT	1	1	1.9 DIESEL
21-1	01550-12753	BOLT	1	1	
21-2	00048-86CA0	BOLT	1	1	1.9 DIESEL
22	09108-12006	STUD BOLT	1	1	
23	09108-12007	STUD BOLT	1	1	
24-1	08316-10123	NUT	2	2	
24-2	04018-86CA0	NUT	2	2	1.9 DIESEL
25	24790-56B10	STIFFNER, RH	1	1	
26	01550-10203	BOLT	4	4	
27	24791-56B00	STIFFNER, LH	1	1	
28	01550-10353	BOLT	4	4	

FIG. 43

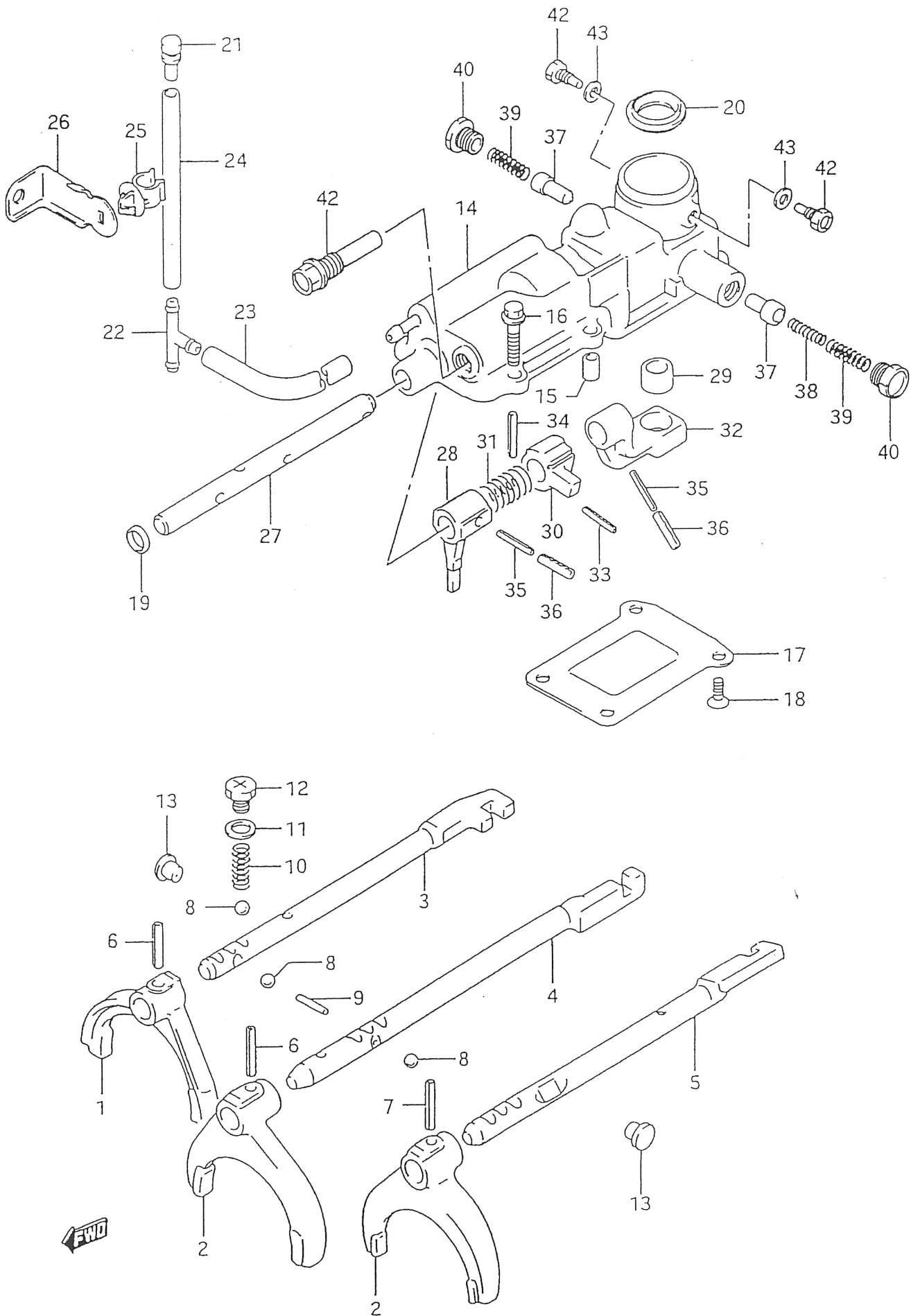


## FIG. 043 (1-F-06) GEAR SHIFT FORK

REF. N.º	PART N.º	DESCRIPTION	Q, TY		REMARKS
			C	V	
1	25211-60A02	FORK, LOW SPEED GEAR SHIFT	1	1	
2	25221-60A11	FORK, HIGH & REV GEAR SHIFT	2	2	
3	25410-60A00	SHAFT, LOW SPEED GEAR SHIFT	1	1	
4	25420-60A10	SHAFT, HIGH SPEED GEAR SHIFT	1	1	
5	25450-60A00	SHAFT, REV GEAR SHIFT	1	1	
6	09205-05012	SPRING PIN	2	2	
7	09205-05016	SPRING PIN	1	1	
8	06111-12004	BALL	5	5	
9	09261-03017	ROLLER	1	1	
10	25415-85C00	SPRING	3	3	
11	21945-85C30	WASHER	3	3	
12	09248-12005	SCREW	3	3	
13	09250-10006	PLUG	2	2	
14-1	25120-60A01	CASE, GEAR SHIFT LEVER	1	1	
14-2	25120-60A00	CASE, GEAR SHIFT LEVER	1	1	1.9 DIESEL
15	04211-09149	PIN	2	2	
16	01550-08203	BOLT	5	5	
17	25129-60A00	PLATE, GEAR SHIFT CASE	1	1	
18	02122-06163	SCREW	4	4	
19	21947-85C10	PLUG	1	1	
20	28117-60A00	SEAT, CASE	1	1	
21	46543-85C00	BREATHING, MISSION	1	1	
22	09367-08004	UNION, 3WAY HOSE	1	1	
23	21931-85C10	HOSE, BREATHING	1	1	
24	21931-85C00	HOSE, BREATHING	1	1	
25	09403-11311	CLAMP, BREATHING HOSE	1	1	
26	24831-57B00	BRACKET, HOSE CLAMP	1	1	
27-1	25521-60A11	SHAFT, GEAR SHIFT	1	1	
27-2	25521-60A01	SHAFT, GEAR SHIFT	1	1	1.9 DIESEL
28	25541-60A03	LEVER, GEAR SHIFT	1	1	
29	25551-85C00	BUSH, LEVER	1	1	
29-2	25521-60A02	BUSH, LEVER	1	1	1.9 DIESEL



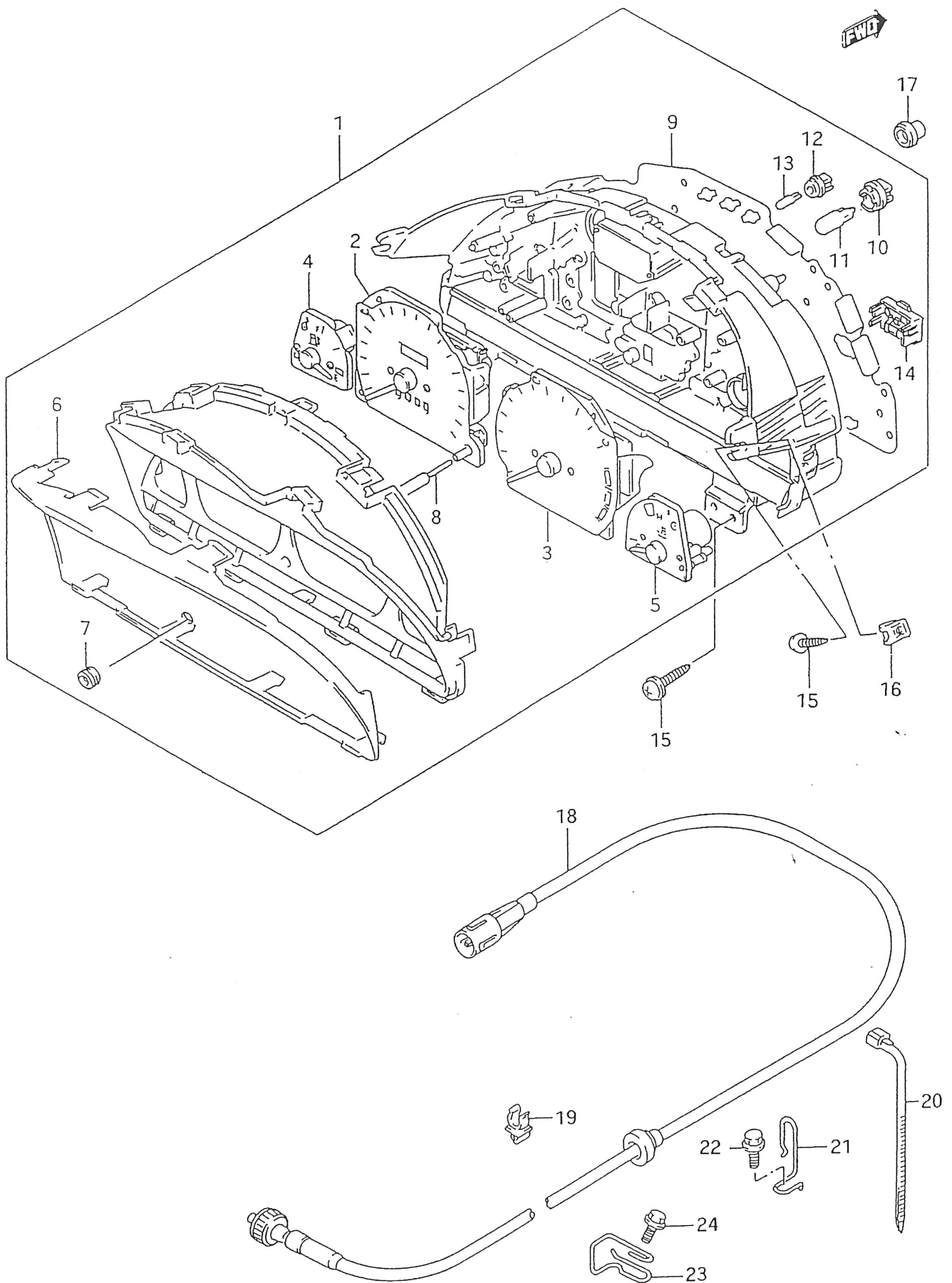
FIG. 43



## FIG. 074 (1-1-08) BATTERY

REF. N.º	PART N.º	DESCRIPTION	Q, TY		REMARKS
			C	V	
1-1	33610-85C90-R	BATTERY ASSY 45A	1	1	TUDOR
1-2	36610-86CA0-R	BATTERY ASSY 60A	1	1	VB
	36610-86CB0-R	BATTERY ASSY 70A	1	1	TUDOR
2	33660-85C00	TRAY, BATTERY	1	1	
3-1	33800-70E30	CABLE, STARTER MOTOR	1	1	2 VALVE
3-2	33800-79E20	CABLE, STARTER MOTOR	1	1	E22
4	09115-06001	BOLT, EARTH	1	1	
5	09407-05403	CLAMP, ACG WIRE (L:88)	1	1	
6-1	09407-12404	CLAMP, CABLE (L:140)	1	1	E2
6-2	09407-12404	CLAMP, CABLE (L:140)	2	2	E22,E53
7	09407-14406	CLAMP, CABLE (L:130)	1	1	2 VALVE
8	36990-85C10	CLAMP, CABLE	1	1	EXC/E2:4 VALVE

FIG. 75



## FIG. 075 (1-1-09) SPEEDOMETER

REF. N.º	PART N.º	DESCRIPTION	Q, TY		REMARKS
			C	V	
1-1	34101-79E80	SPEEDOMETER ASSY (MILE/KILO)	1	1	E2
1-2	34101-78EF0	SPEEDOMETER ASSY (MILE/KILO)	1	1	E2: W/AIR BAG,ABS
1-3	34101-79E90	SPEEDOMETER ASSY (KILO)	1	1	E22, E53
1-4	34101-78EH0	SPEEDOMETER ASSY (KILO)	1	1	E22: W/AIR BAG,ABS
1-5	34101-86CA0	SPEEDOMETER ASSY (KILO)	1	1	1.9 DIESEL
2-1	34120-79E10	.BODY ASSY, SPEEDOMETER (MILE/KILO)	1	1	E2
2-2	34120-79E20	.BODY ASSY, SPEEDOMETER (KILO)	1	1	E22,E53
3	34220-79E00	.BODY ASSY, TACHOMETER	1	1	
4	34320-67E20	.BODY ASSY, FUEL METER	1	1	
5	34420-67E20	.BODY ASSY, TEMP METER	1	1	
6	34112-67E20	.GLASS, METER WINDOW	1	1	
7	34145-60B00	.GROMMET	1	1	
8	34141-60E10	.KNOB, TRIP METER	1	1	
9	34152-77E10	.PLATE, PRINTED	1	1	
10	34172-50E10	.SOCKET, BULB	3	3	
11	09471-12131	.BULB (12V,3.4W)	3	3	
12-1	34175-78900	.SOCKET, BULB	12	12	
12-2	34175-78900	.SOCKET, BULB	15	15	W/AIR BAG,ABS
13-1	00000A00085	.BULB (1.4W)	12	12	
13-2	09471-12055	.BULB (1.4W)	15	15	W/AIR BAG,ABS
14	34155-50E10	.CIRCUIT, HEAT WARNING	1	1	
15	03541-05203	SCREW, METER	4	4	
16	09148-05020	NUT, SPEEDOMETER	2	2	
17	34955-60E00	BUSH, SPEEDOMETER	2	2	

FIG. 75

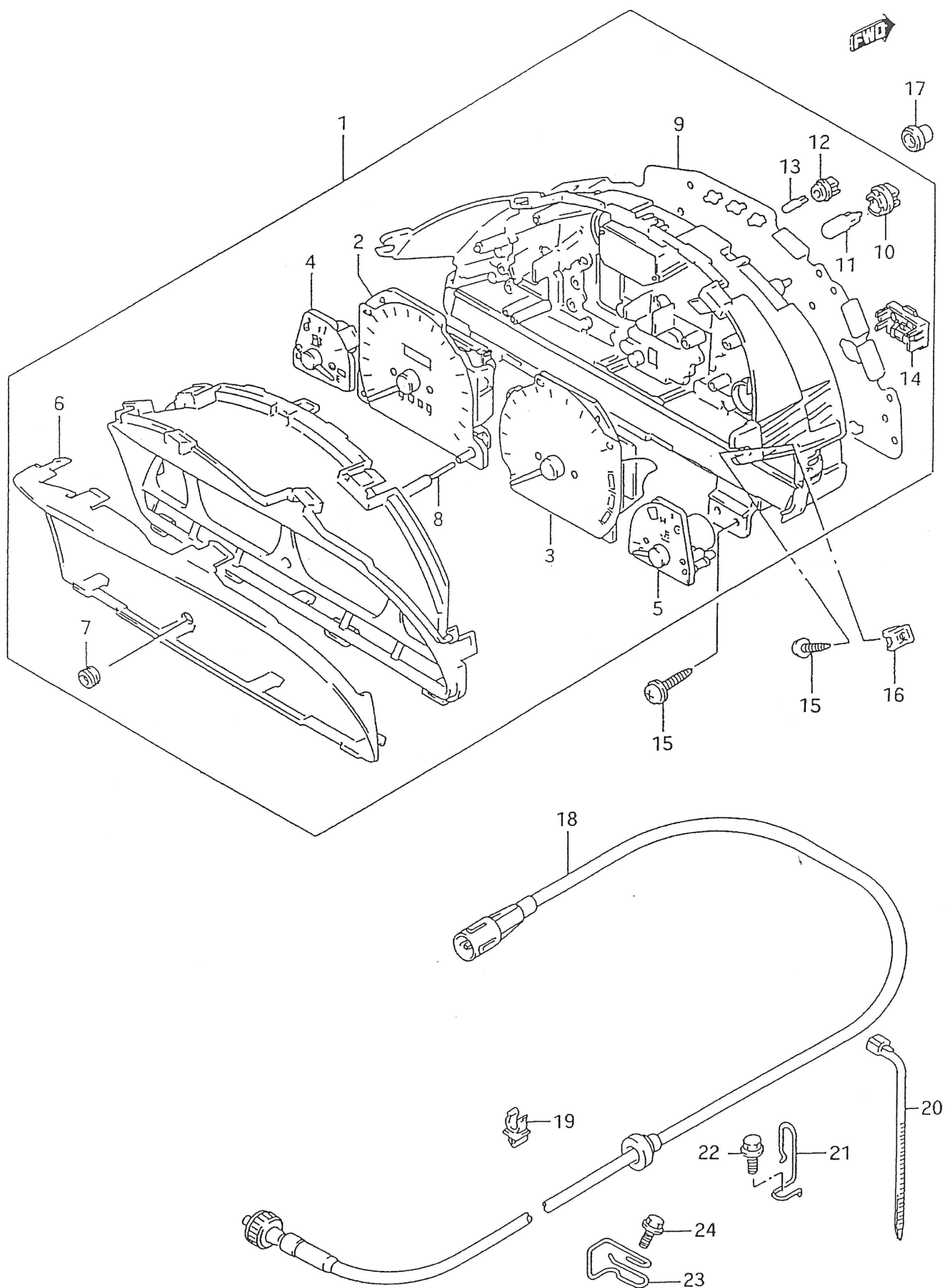


FIG. 081 (1-I-16) REAR LAMP

REF. N.º	PART N.º	DESCRIPTION	Q, TY		REMARKS
			C	V	
1	35650-85C00	LAMP UNIT, REAR COMBINATION RH	1	1	
2	35670-85C00	LAMP UNIT, REAR COMBINATION LH	1	1	
3	09471-12083	BULB (12V,21/5W)	2	2	
4	09471-12045	BULB (12V,21W)	4	4	
5	35655-85C00	SOCKET	2	2	
6	03142-04253	SCREW	4	4	
7	09148-04021	NUT	4	4	
8	35910-85C00	LAMP ASSY,LICENSE	2	2	
9	09471-12081	.BULB (12V,5W)	2	2	
10	03511-04163	SCREW	4	4	
11	36570-85C10	LAMP ASSY, REAR FOG RH	1	1	
12	36590-85C10	LAMP ASSY, REAR FOG LH	1	1	
13	36572-85C10	.LENS	2	2	
14	03212-04169	.SCREW	4	4	
15	35129-85C10	.WASHER	4	4	
16	09471-12064	.BULB (12V,21W)	2	2	
17	36578-85C00	NUT	2	2	
18	03141-04123	SCREW	2	2	
19	73429-50G00	SCREW	12	12	
20	36571-85C10	BEZEL, REAR FOG LAMP RH	1	1	
21	36591-85C10	BEZEL, REAR FOG LAMP LH	1	1	
22	09407-05403	CLAMP	2	2	3DR
23	36578-56B00	PROTECTOR, LEAD WIRE	-	2	5DR

FIG. 82

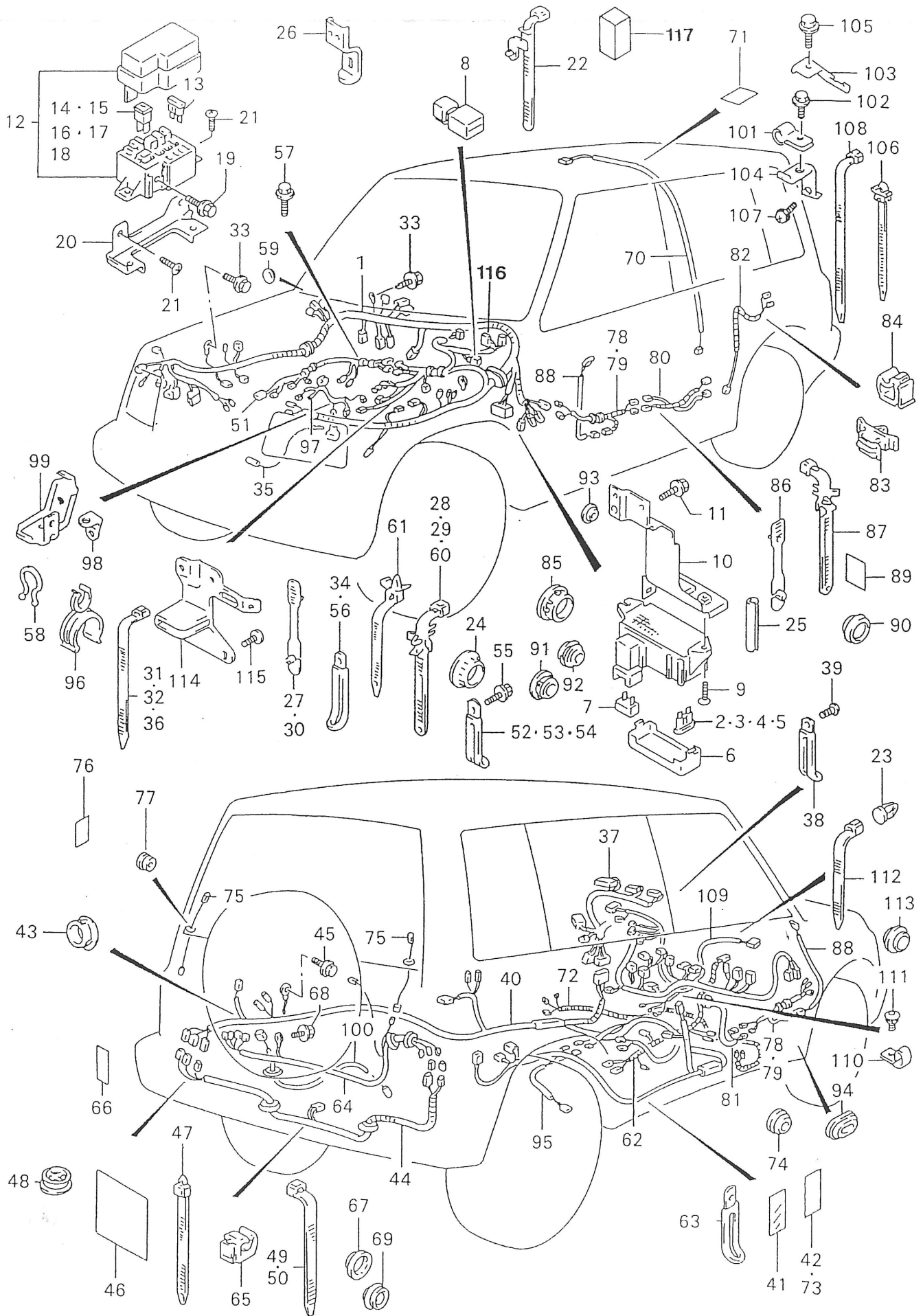


FIG. 082 (1-J-02) WIRING HARNESS (LHD)

REF. N.º	PART N.º	DESCRIPTION	Q, TY		REMARKS
			C	V	
1-1	36601-71E11	HARNESS, WIRING MAIN	1	1	MT: 4 VALVE
1-2	36601-71E01	HARNESS, WIRING MAIN	1	1	MT: W/ABS, OTHER COUNRIES MARKETS
1-3	36601-60A50	HARNESS, WIRING MAIN	1	1	MT:E22, W/IMMOBILIZER
1-4	36601-60A40	HARNESS, WIRING MAIN	1	1	MT:E22,W/ABS, IMMOBILIZER
1-5	36601-72E00	HARNESS, WIRING MAIN	1	1	MT:E53 2 VALVE
1-6	36601-71E31	HARNESS, WIRING MAIN	1	1	AT
1-7	36601-71E21	HARNESS, WIRING MAIN	1	1	AT,W/ABS
1-8	36601-60A70	HARNESS, WIRING MAIN	1	1	AT, W/IMMOBILIZER
1-9	36601-60A60	HARNESS, WIRING MAIN	1	1	AT,W/ABS, IMMOBILIZER
1-10	36601-86CA0	HARNESS, WIRING MAIN	1	1	1.9 DIESEL
2	09481-10101	.FUSE (10A)	7	7	E22
3	09481-15101	.FUSE (15A)	AR	AR	
4	09481-20101	.FUSE (20A)	AR	AR	
5	09481-25101	.FUSE (25A)	1	1	E53
6-1	36717-60A30	.COVER, FUSE BOX	1	1	2 VALVE
6-2	36717-60A40	.COVER, FUSE BOX	1	1	4 VALVE
7	36795-82000	.BRAKER, POWER WINDOW	1	1	
8	33553-52E00	.FILTER, NOISE SUPPRESSOR	1	1	
9	02142-05123	SCREW, FUSE BOX	2	2	
10	36735-60A00	BRACKET, FUSE BOX	1	1	
11	01550-06103	BOLT, BRACKET	2	2	
12-1	36730-60A20	BOX ASSY, MAIN FUSE			
12-2	36730-60A20	BOX ASSY, MAIN FUSE	1	1	4 VALVE
13	09481-15101	FUSE (15A)	1	1	4 VALVE
14	09481-30201	FUSE (30A)	1	1	4 VALVE
15	09481-40201	FUSE (40A)	1	1	2 VALVE
16	09481-50201	FUSE (50A)	1	1	



FIG. 82

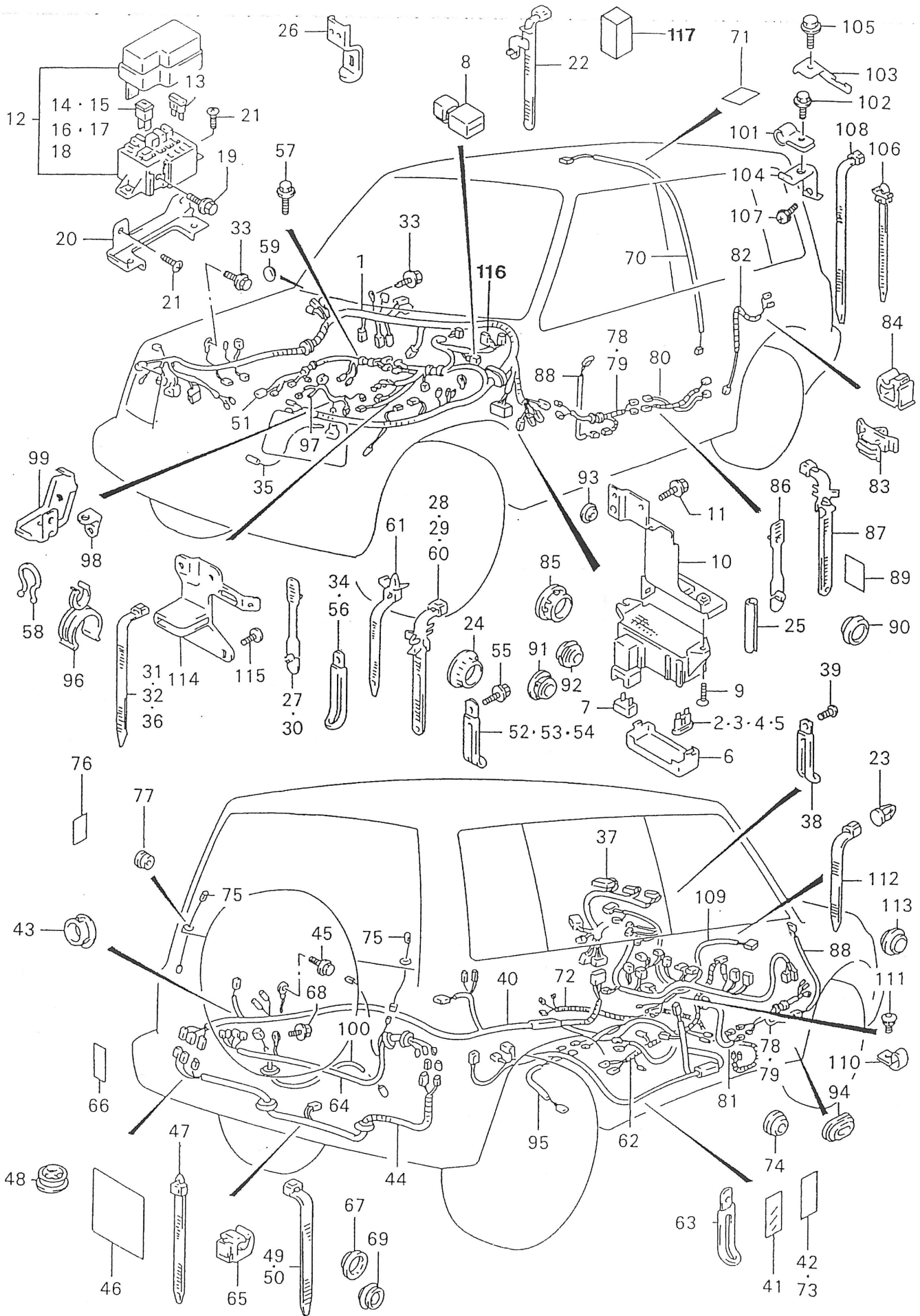


FIG. 082 (1-J-03) WIRING HARNESS (LHD)

REF. N.º	PART N.º	DESCRIPTION	Q, TY		REMARKS
			C	V	
17-1	09481-60301	FUSE (60A)	1	1	2 VALVE
17-2	09481-60201	FUSE (60A)	1	1	4 VALVE
18	09481-80301	FUSE (80A)	1	1	4 VALVE
19	09138-06040	BOLT, SLOW BLOW FUSE	2	2	
20-1	36737-60A00	BRACKET, MAIN FUSE	1	1	2 VALVE
20-2	36737-70E00	BRACKET, MAIN FUSE	1	1	4 VALVE
20-3	36737-86CA0	BRACKET, MAIN FUSE	1	1	1.9 DIESEL
21	02142-06103	SCREW	4	4	
22	36990-56B00	CAMP, HARNESS DASH PANEL	5	5	
23	09409-07320	CAP, DASH PANEL HOLE	1	1	
24	09308-25002	PROTECTOR, SIDE LAMP WIRE	2	2	
25	75957-77E00	PROTECTOR, FUSE BOX BRACKET	1	1	
26	36996-85C00	PROTECTOR, MAIN HARNESS	1	1	
27	09407-05403	CLAMP, WASHER HOSE	1	1	
28-1	09407-12404	CLAMP, HARNESS SIDE (L:140)	12	12	
28-2	09407-12404	CLAMP, HARNESS COWL TOP (L:140)	8	8	
28-3	09407-12404	CLAMP, DOOR CONTROLLER WIRE (L:140)	1	1	
29	09407-12404	CLAMP, FAN SWITCH WIRE	1	1	
30	09407-05403	CLAMP, HORN WIRE	1	1	
31	09407-18403	CLAMP, HARNESS & CABLE	1	1	
32	09407-25401	CLAMP, IGNITIO SWITCH WIRE	1	1	
33	09115-06001	BOLT, HARNESS GROUND	4	4	
34	09404-08420	CLAMP, HARNESS	1	1	
35	36955-60A00	WIRE, POWER STEERING	1	1	W/POWER STEERING
36	36990-85C10	CLAMP, POWER STEERING WIRE	2	2	W/POWER STEERING

FIG. 82

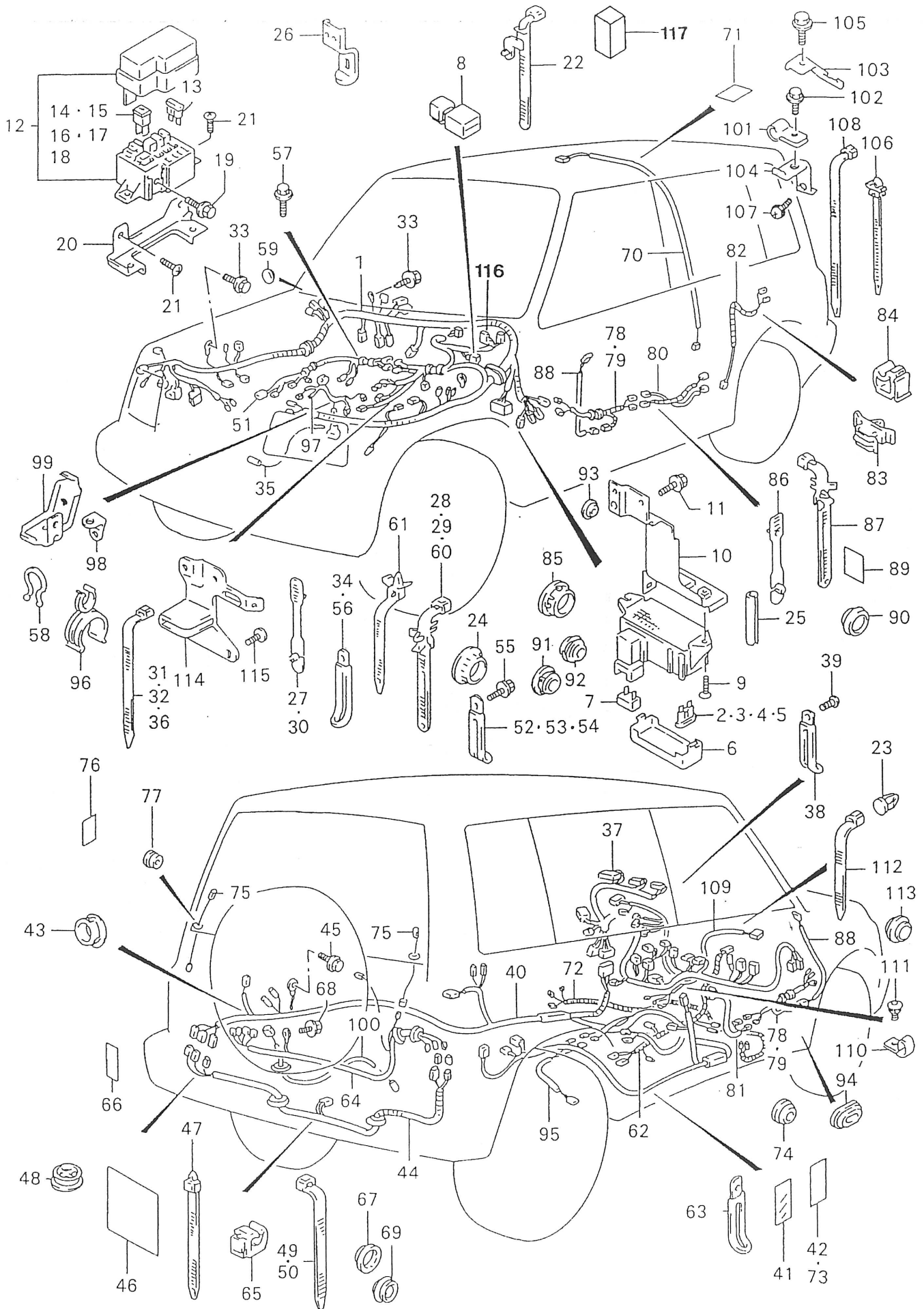


FIG. 082 (1-J-04) WIRING HARNESS (LHD)

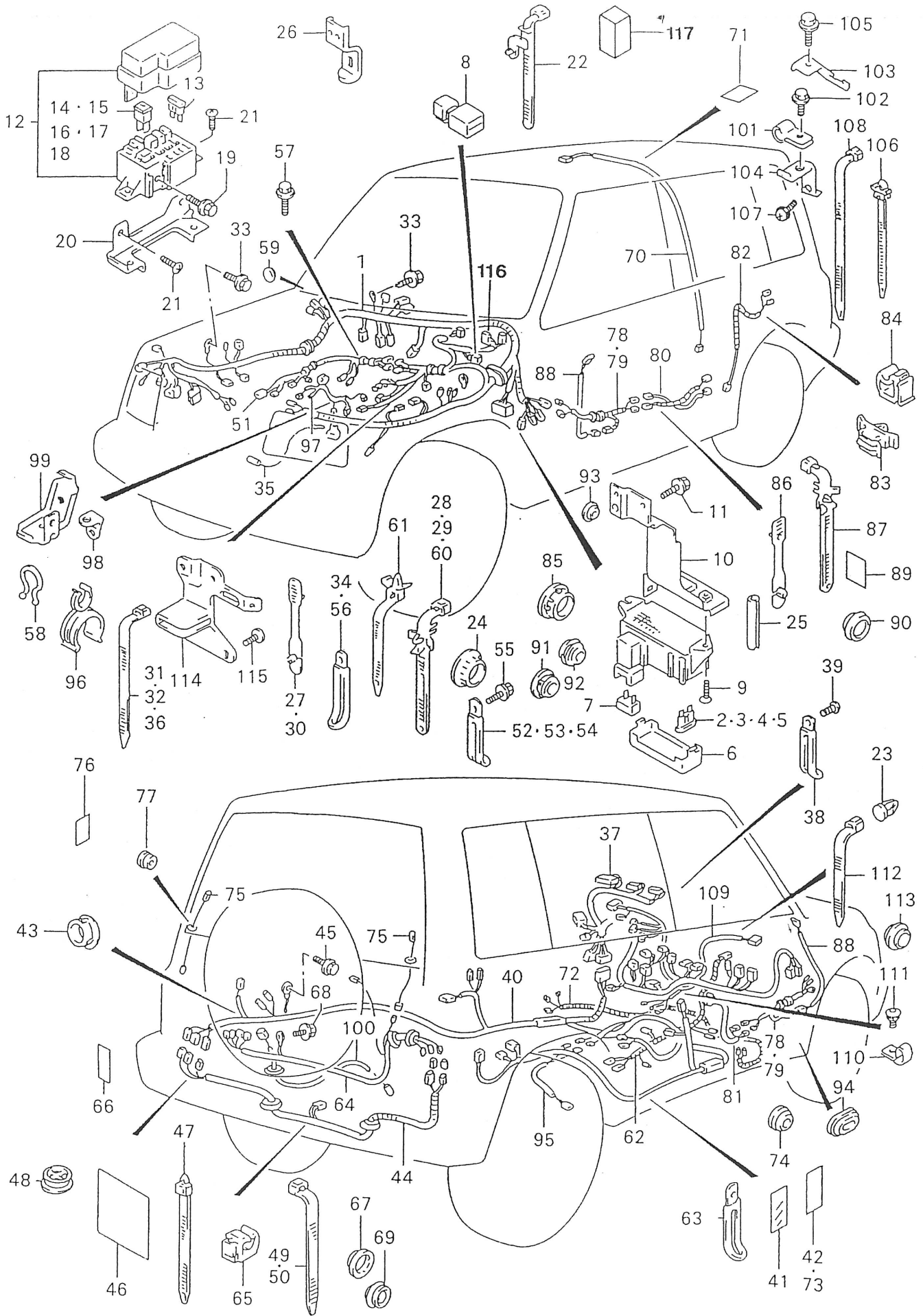
REF. N.º	PART N.º	DESCRIPTION	Q, TY <sup>1</sup>		REMARKS
			C	V	
37-1	36620-77E81	HARNESS, INSTRUMENT PANEL	1	1	OTHER COUNTRIES MARKETS
37-2	36620-77EJ0	HARNESS, INSTRUMENT PANEL	1	1	E22:W/AIR BAG
37-3	36620-77EQ0	HARNESS, INSTRUMENT PANEL	1	1	E22, W/IMMOBILIZER
37-4	36620-77ES0	HARNESS, INSTRUMENT PANEL	1	1	E22,W/AIR BAG, +
37-5	36620-86CA0	HARNESS, INSTRUMENT PANEL	1	1	1.9 DIESEL
38-1	09404-06427	CLAMP, HARNESS (L:95)	9	9	
38-2	09404-06431	CLAMP, HARNESS (L:80)	4	4	
39-1	03541-05123	SCREW, CLAMP (L:12)	15	15	
39-2	03541-05163	SCREW, CLAMP (L:16)	15	15	W/AIR BAG, IMMOBILIZER
40-1	36630-71E10	HARNESS, WIRING FLOOR	1	1	3DR
40-2	36630-71E00	HARNESS, WIRING FLOOR	1	1	3DR:W/ABS
40-3	36630-72E00	HARNESS, WIRING FLOOR	-	1	5DR:JX
40-4	36630-77E50	HARNESS, WIRING FLOOR	-	1	5DR:JLX
40-5	36630-71E20	HARNESS, WIRING FLOOR	-	1	5DR:JLX,W/ABS
41	76561-60A00	COVER, FLOOR HARNESS	-	4	5DR
42-1	36930-85C00	COVER, FLOOR HARNESS	3	3	3DR
42-2	36930-85C00	COVER, FLOOR HARNESS	-	6	5DR
43-1	09308-42001	PROTECTOR, FLOOR HARNESS	1	1	3DR
43-2	09308-42001	PROTECTOR, FLOOR HARNESS	-	2	5DR
44-1	36640-57B31	HARNESS, WIRING REAR LAMP	1	1	3DR
44-2	36640-77E20	HARNESS, WIRING REAR LAMP	-	1	5DR
45	09129-06002	SCREW, HARNESS GROUND	1	1	
46	36930-70E00	COVER, HARNESS	1	1	



FIG. 082 (1-J-05) WIRING HARNESS (LHD)

REF. N.º	PART N.º	DESCRIPTION	Q, TY		REMARKS
			C	V	
47-1	09407-11402	CLAMP, HARNESS (L:90)	3	3	3DR
47-2	09407-11402	CLAMP, HARNESS (L:90)	-	2	5DR,N/ABS
48	09250-30010	CAP, ABS WIRE HOLE	1	1	N/ABS
49	36990-85C00	CLAMP, REAR LAMP HARNESS	2	2	3DR,N/ABS
50	09407-25401	CLAMP, HARNESS	1	1	
51-1	36650-71E70	HARNESS, WIRING ENGINE	1	1	2 VALVE
51-2	36650-71E40	HARNESS, WIRING ENGINE	1	1	4 VALVE:MT
51-3	36650-71E50	HARNESS, WIRING ENGINE	1	1	4 VALVE:AT
51-4	36650-86CA0	HARNESS, WIRING ENGINE	1	1	1.9 DIESEL
52	09404-06431	CLAMP, OIL PUMP WIRE (L:80)	3	3	4 VALVE
53	09404-06433	CLAMP, HARNESS (L:95)	1	1	4 VALVE
54	36990-85C20	CLAMP, HARNESS	2	2	
55	01550-06103	BOLT, CLAMP	1	1	
56	36990-85C30	CLAMP, HARNESS	3	3	
57	01550-06123	BOLT, HARNESS GROUND	2	2	
58	09408-00024	CLAMP, STARTER WIRE	1	1	
59	09409-07320	CAP, DASH PANEL HOLE	2	2	2 VALVE
60	09407-12404	CLAMP, ENGINE HARNESS	1	1	
61	09407-12405	CLAMP, MISSION HARNESS	1	1	4 VALVE
62-1	36660-61A00	HARNESS, WIRING MISSION	1	1	MT
62-2	36660-70E40	HARNESS, WIRING MISSION	1	1	AT
63-1	36990-85C20	CLAMP, HARNESS	4	4	MT
63-2	36990-85C20	CLAMP, HARNESS	2	2	AT
64	36845-62A11	WIRE, BACK DOOR	-	1	
65	36667-60A00	CLAMP, BACK DOOR WIRE	-	5	
66	36930-85C00	COVER, BACK DOOR WIRE	-	1	
67	09308-28001	PROTECTOR, BACK DOOR WIRE	-	2	

FIG. 82

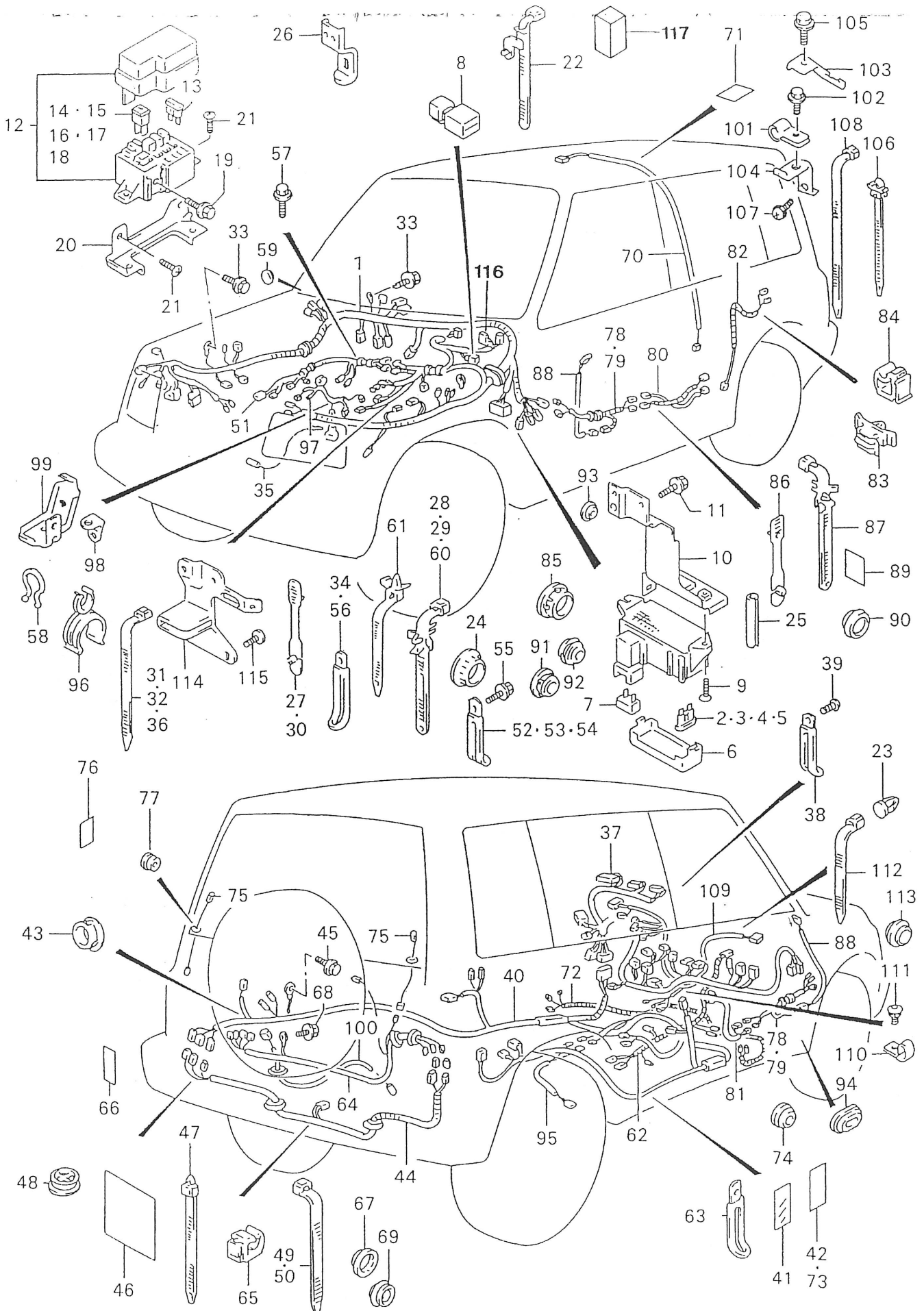


## FIG. 082 (1-J-06) WIRING HARNESS (LHD)

REF. N.º	PART N.º	DESCRIPTION	Q, TY		REMARKS
			C	V	
68	09139-05028	SCREW, WIRE GROUND	1	1	
69	09250-25007	CAP, WIRE HOLE	2	-	
70-1	36820-60A30	WIRE, ROOM LAMP	1	1	3DR
70-2	36820-56B00	WIRE, ROOM LAMP	-	1	5DR,N/SUN ROOF
71	36930-85C00	COVER, ROOM LAMP WIRE	-	3	
72-1	36823-70E80	WIRE, BELT/PARKING SWITCH	1	1	3DR
72-2	36823-70E70	WIRE, BELT/PARKING SWITCH	1	1	3DR:W/ABS
73	36930-85C00	COVER, SWITCH WIRE	5	5	3DR
74	36995-60A10	GROMMET, SIDE SILL	2	2	3DR
75	36890-70C00	WIRE, REAR DEFOGGER	-	2	
76	36930-85C00	COVER, DEFOGGER WIRE	-	1	
77	09308-03005	GROMMET, DEFOGGER WIRE	-	2	
78	36756-70E00	WIRE, POWER WINDOW/MIRROR	2	2	W/POWER WINDOW:3DR
79	36756-62A00	WIRE, POWER WINDOW/MIRROR	-	2	W/POWER WINDOW:5DR
80-1	36757-70E00	WIRE, SOLENOID & SWITCH	1	1	W/POWER WINDOW:3DR
80-2	36757-62A00	WIRE, SOLENOID & SWITCH	-	1	W/POWER WINDOW:5DR
81-1	36757-70E20	WIRE, SOLENOID	1	1	W/POWER WINDOW:3DR
81-2	36757-62A10	WIRE, SOLENOID	-	1	W/POWER WINDOW:5DR
82	36756-62A20	WIRE, REAR DOOR	-	2	W/POWER WINDOW:5DR
83	34935-56B00	CLAMP, REAR DOOR WIRE	-	2	W/POWER WINDOW:5DR
84	36667-60A00	CLAMP, REAR DOOR WIRE	-	2	W/POWER WINDOW:5DR
85	09308-40001	PROTECTOR, WIRE	2	2	W/POWER WINDOW
86-1	09407-05403	CLAMP, POWER WINDOW WIRE	10	10	W/POWER WINDOW:3DR
86-2	09407-05403	CLAMP, POWER WINDOW WIRE	-	18	W/POWER WINDOW:5DR



FIG. 82



## FIG. 082 (1-J-07) WIRING HARNESS (LHD)

REF. N.º	PART N.º	DESCRIPTION	Q, TY		REMARKS
			C	V	
87	09407-12404	CLAMP, CONTROLLER WIRE	1	1	W/POWER WINDOW
88	36753-60A00	WIRE, MIRROR MOTOR	2	2	W/REMO-CON MIRROR
89	36757-82100	FILM, WIRE HOLE DOOR	2	2	N/REMO-CON MIRROR
90	09250-25008	CAP, WIRE HOLE BODY	2	2	3DR:N/REMOCON MIRROR
91	09250-20014	CAP, WIRE HOLE	-	4	5DR:N/POWER WINDOW
92	36757-56B00	CAP, WIRE HOLE FRONT	-	2	5DR:N/REMOCON MIRROR
93	36757-56B10	CAP, WIRE CLAMP HOLE	-	2	5DR:N/POWER WINDOW
94	09250-20017	CAP, REAR WASHER HOSE	1	-	
95	36880-60A20	WIRE, SHIFT ILLUM	1	1	AT
96	09408-00055	CLAMP, MAIN HARNESS	1	1	
97	36670-70E10	HARNESS, WIRING INJECTOR	1	1	4 VLAVE
98	36995-57B30	BRACKET, INJECTOR HARNESS	1	1	4 VALVE
99	36995-57B20	BRACKET, ENGINE HARNESS	1	1	4 VALVE
100-1	36875-70E10	WIRE, ABS SENSOR	1	1	W/ABS:3DR
100-2	36875-70E00	WIRE, ABS SENSOR	-	1	W/ABS:5DR
101	36997-60A00	CLAMP, ABS WIRE	3	3	W/ABS
102	01550-06123	BOLT	3	3	W/ABS
103	36996-56B00	BRACKET, ABS WIRE CLAMP	1	1	W/ABS
104	36997-60A10	CLAMP, ABS WIRE	1	1	W/ABS
105	01550-08123	BOLT	1	1	W/ABS
106	09407-14408	CLAMP, ABS WIRE	1	1	W/ABS

FIG. 82

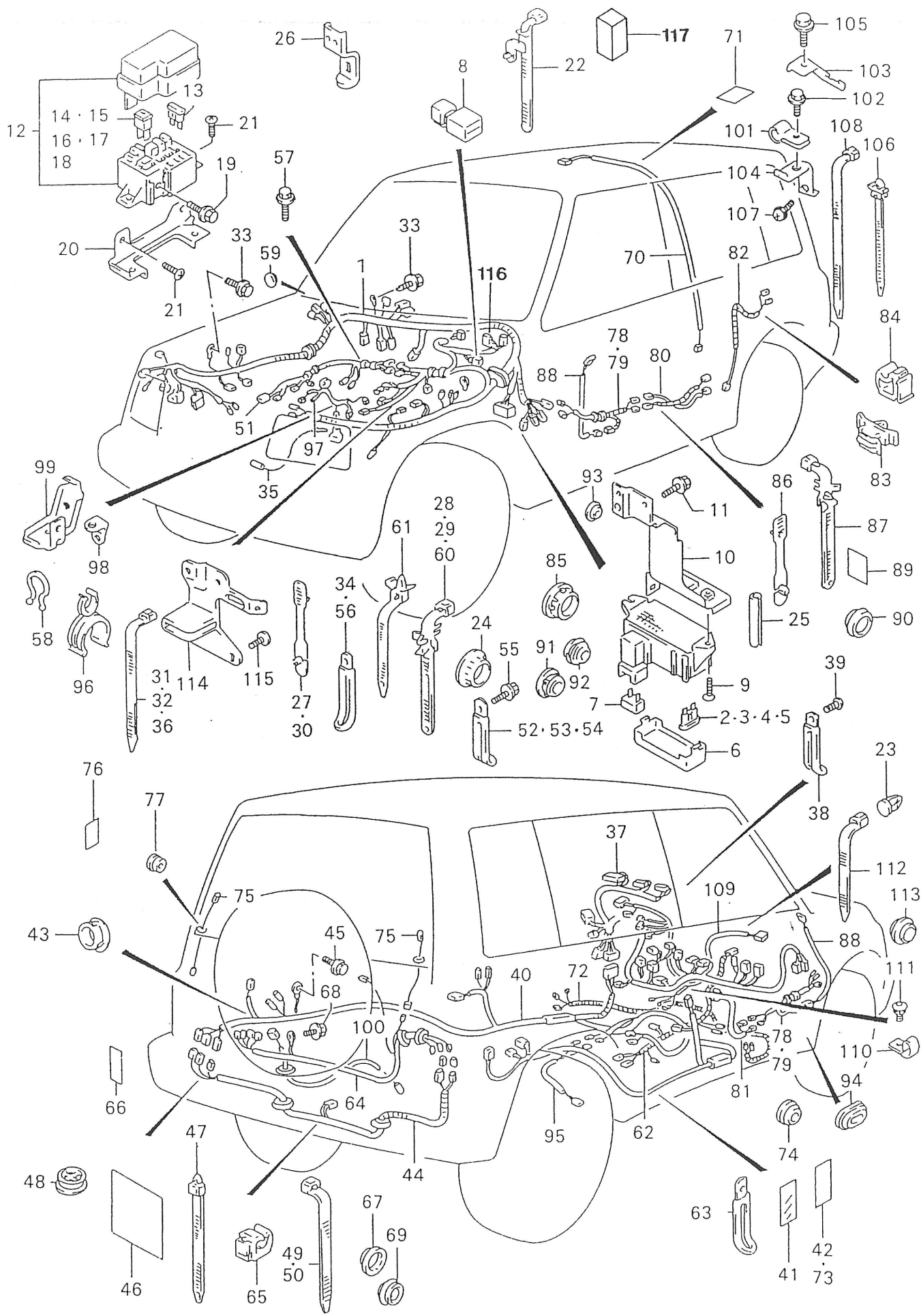


FIG. 082 (1-J-08) WIRING HARNESS (LHD)

REF. N.º	PART N.º	DESCRIPTION	Q, TY		REMARKS
			C	V	
107	09132-06006	SCREW, WIRE CLAMP	1	1	W/A BS
108	09407-18403	CLAMP, ABS WIRE	1	1	W/ABS
109	36690-77E20	HARNESS ASSY, AIR BAG	1	1	W/AIR BAG
110	09403-14412	CLAMP, HARNESS	2	2	W/AIR BAG
111	09137-06020	SCREW (6X20)	2	2	W/AIR BAG
112	09407-14403	CLAMP, HARNESS	1	1	W/AIR BAG
113	09250-35005	CAP, DASH PANEL HOLE	1	1	W/AIR BAG
114	36614-70E00	BRACKET, MAIN HARNESS	1	1	
115	02142-06103	SCREW	2	2	
116	31850-86CB0	RELAY CLOSE	2	2	1.9 DIESEL
117	35334-86CA0	PROTECTOR RELAY ELECTRO	2	2	1.9 DIESEL

FIG. 83

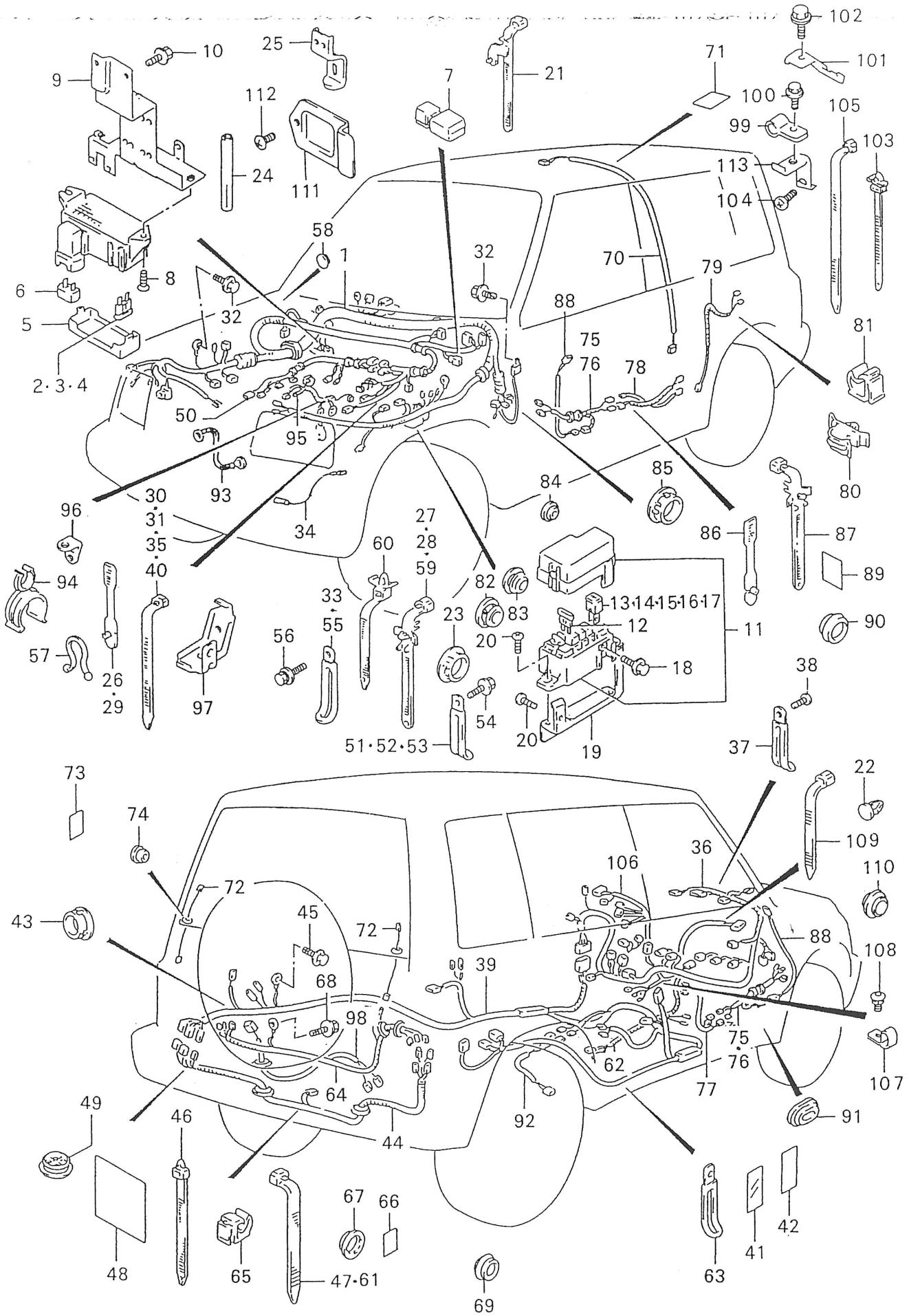


FIG. 083 (1-J-15) WIRING HARNESS (RHD)

REF. N.º	PART N.º	DESCRIPTION	Q, TY		REMARKS
			C	V	
101	36996-56B00	BRACKET, ABS WIRE CLAMP	1	1	W/ABS
102	01550-08123	BOLT	1	1	W/ABS
103	09407-14408	CLAMP, ABS WIRE	1	1	W/ABS
104	09132-06006	SCREW, WIRE CLAMP	1	1	W/ABS
105	09407-18403	CLAMP, ABS WIRE	1	1	W/ABS
106	36690-77E10	HARNESS ASSY, AIR BAG	1	1	W/AIR BAG
107	09403-14412	CLAMP, HARNESS	2	2	W/AIR BAG
108	09137-06020	SCREW (6X20)	2	2	W/AIR BAG
109	09407-12404	CLAMP, HARNESS	1	1	W/AIR BAG
110	09250-35005	CAP, DASH PANEL HOLE	1	1	W/AIR BAG
111	36614-70E10	BRACKET, MAIN HARNESS	1	1	
112-1	01550-06103	BOLT	2	2	2 VALVE
112-2	02142-06103	SCREW	2	2	4 VALVE
113	36997-60A10	CLAMP, ABS WIRE	1	1	W/ABS

FIG. 84

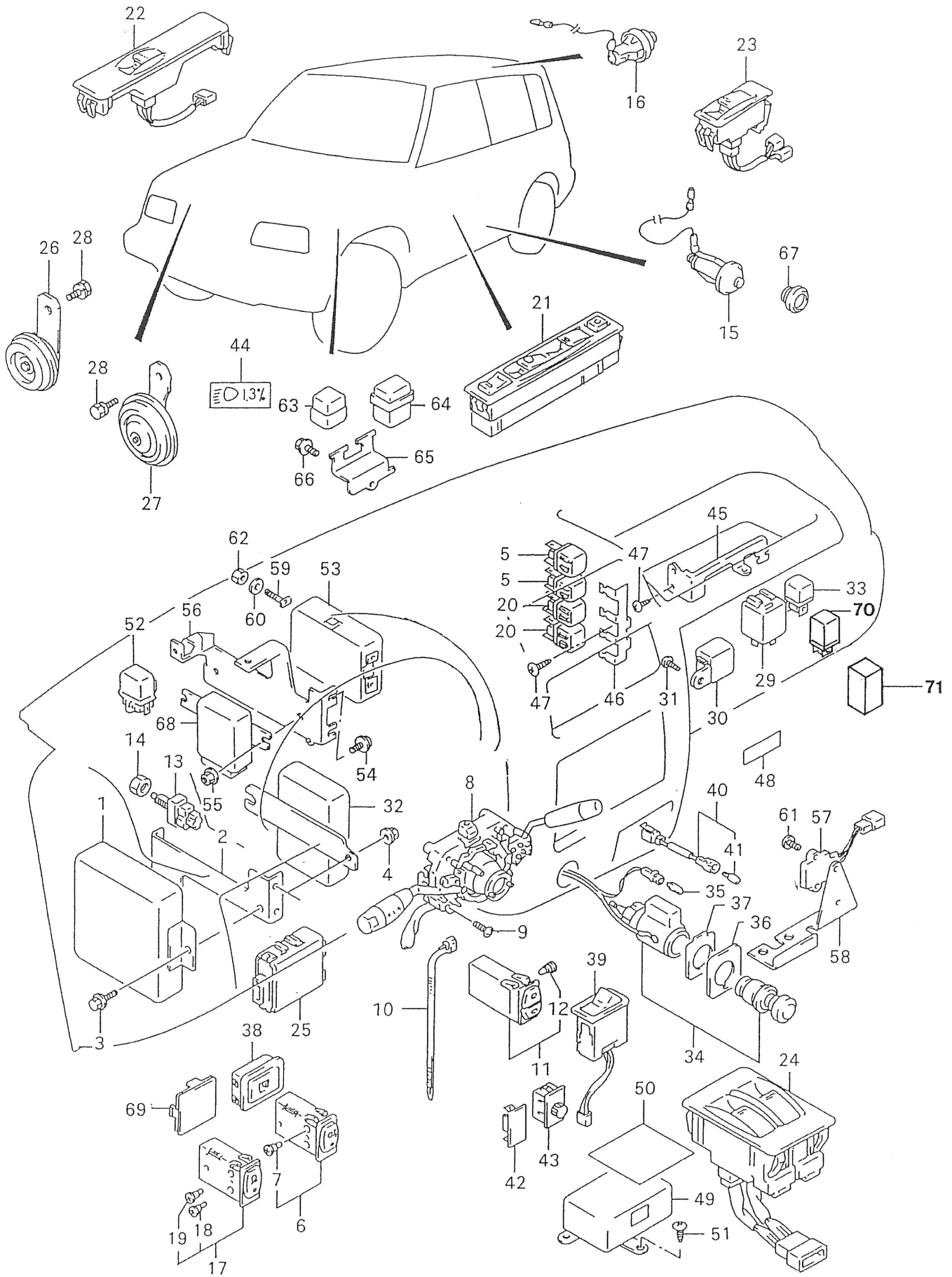


FIG. 084 (1-K-02) ELECTRICAL CONTROL (LHD)

REF. N.º	PART N.º	DESCRIPTION	Q, TY		REMARKS
			C	V	
1-1	33920-70E30	CONTROLLER, FUEL INJECTION	1	1	2 VALVE
1-2	33920-71E50	CONTROLLER, FUEL INJECTION	1	1	4 VALVE, OTHER MARKETS
1-3	33920-71ED0	CONTROLLER, FUEL INJECTION	1	1	4 VALVE, E 22 W/IMMOBILIZER
1-4	33920-71E60	CONTROLLER, FUEL INJECTION	1	1	4 VALVE, E 18
2	33924-77E10	BRACKET, EPI CONTROLLER	1	1	
3	01550-06103	BOLT	5	5	
4	08316-10063	NUT	2	2	
5-1	38850-50F50	RELAY, FUEL	2	2	
5-2	31850-86CA0	RELAY, ASSY INVER	2	2	1.9 DIESEL
6	37280-70F00	SWITCH ASSY, RR FOG LAMP	1	1	
7	09471-12135	.BULB	1	1	
8-1	37400-77E40	SWITCH ASSY, COMBINATION	1	1	N/AIR BAG
8-2	37400-77E50	SWITCH ASSY, COMBINATION	1	1	W/AIR BAG
9	02112-05123	SCREW	3	3	
10	09407-25401	CLAMP (L:235)	1	1	
11	37370-50G00	SWITCH, RR WIPER & WASHER	-	1	
12	37399-60E10	.BULB	-	2	
13	37740-60D01	SWITCH, STOP LAMP	1	1	
14	09140-10043	NUT	1	1	
15-1	37670-61A00	SWITCH ASSY, DOOR	2	2	3DR
15-2	37670-61A00	SWITCH ASSY, DOOR	-	4	5DR
16	37670-61A00	SWITCH ASSY, BACK DOOR	-	1	5DR
17	37860-60A01	SWITCH ASSY, REAR DEFOGGER	-	1	
18	09471-12135	.BULB (CLEAR)	-	1	
19	37399-60E10	.BULB (GREEN)	-	1	
20	38850-50F50	RELAY, HEADLAMP	2	2	
21	37990-56B60	SWITCH, POWER WINDOW MASTER	1	1	W/POWER WINDOW
22	37995-56B60	SWITCH, POWER WINDOW SUB	1	1	W/POWER WINDOW
23	37995-56B50	SWITCH, POWER WINDOW REAR	-	2	5DR:W/POWER WINDOW
24	37993-56B50	SWITCH, POWER WINDOW CENTER	-	1	5DR:W/POWER WINDOW



FIG. 84

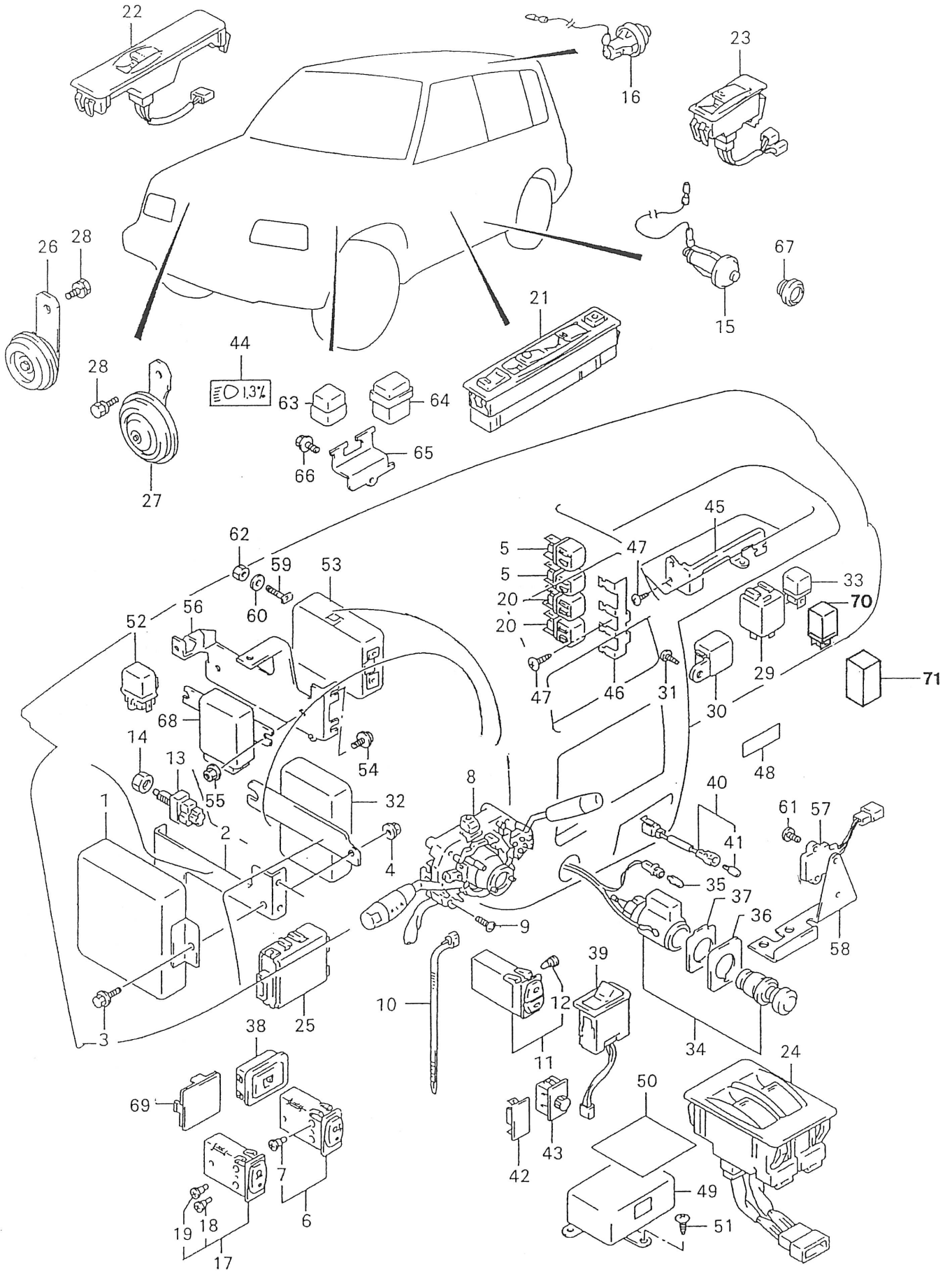


FIG. 084 (1-K-03) ELECTRICAL CONTROL (LHD)

REF. N.º	PART N.º	DESCRIPTION	Q, TY		REMARKS
			C	V	
25-1	38700-77E10	CONTROLLER, POWER DOOR LOCK	1	1	3DR:W/POWER DOOR LOCK
25-2	38700-77E00	CONTROLLER, POWER DOOR LOCK	-	1	5DR:W/POWER DOOR LOCK
26	38500-85C00	HORN ASSY, HIGH PITCHED	1	1	JLX
27	38500-85C10	HORN ASSY, LOW PITCHED	1	1	
28-1	01570-08123	BOLT	1	1	
28-2	01570-08123	BOLT	2	2	JLX
29	38610-85C00	RELAY ASSY, TURN & 4 WAY	1	1	
30	38590-77E10	CONTROLLER, WARNING BUZZER	1	1	
31	03541-05163	SCREW	1	1	
32	38880-70E20	CONTROLLER ASSY, AT	1	1	AT
33	38850-50F50	RELAY ASSY, HORN	1	1	JX,JLX
34	39400-85C00	LIGHTER ASSY, CIGARETTE	1	1	
35	09471-85C00	.BULB	1	1	
36	39471-60A00	RIM, LIGHTER	1	1	
37	39472-82000	WASHER, LIGHTER	1	1	
38	37950-60E01	SWITCH ASSY, MIRROR	1	1	W/REMOCON MIRROR
39	37865-56B00	SWITCH ASSY, P/N CHANGE	1	1	AT
40	36550-85C00	LAMP ASSY, ASHTRAY ILLUMINATION	1	1	EXC/JA
41	36551-85C00	.BULB	1	1	
42	37285-60E00	CAP, OPTION SWITCH HOLE	AR	AR	
43	35180-60E00	SWITCH, HEADLAMP LEVELING	1	1	E22
44	35186-70A01	LABEL, HEADLAMP AIMING	1	1	E22
45	38851-77E00	BRACKET, RELAY	1	1	
46-1	38851-77E10	BRACKET, RELAY	1	1	
46-2	38851-86CA0	BRACKET, RELAY	1	1	1.9 DIESEL
47-1	03541-05123	SCREW	4	4	
47-2	02142-05123	SCREW, RELAY	1	1	1.9 DIESEL
48	36930-85C00	COVER	1	1	
49	38910-77E00	RESERVOIR ASSY, SDM	1	1	W/AIR BAG
50	38912-77E00	COVER, SDM	1	1	W/AIR BAG
51	09129-06006	SCREW	3	3	W/AIR BAG
52-1	38860-72G00	RELAY, PTC	1	1	2 VALVE
52-2	38860-86CA0	RELAY, PTC	1	1	1.9 DIESEL

FIG. 84

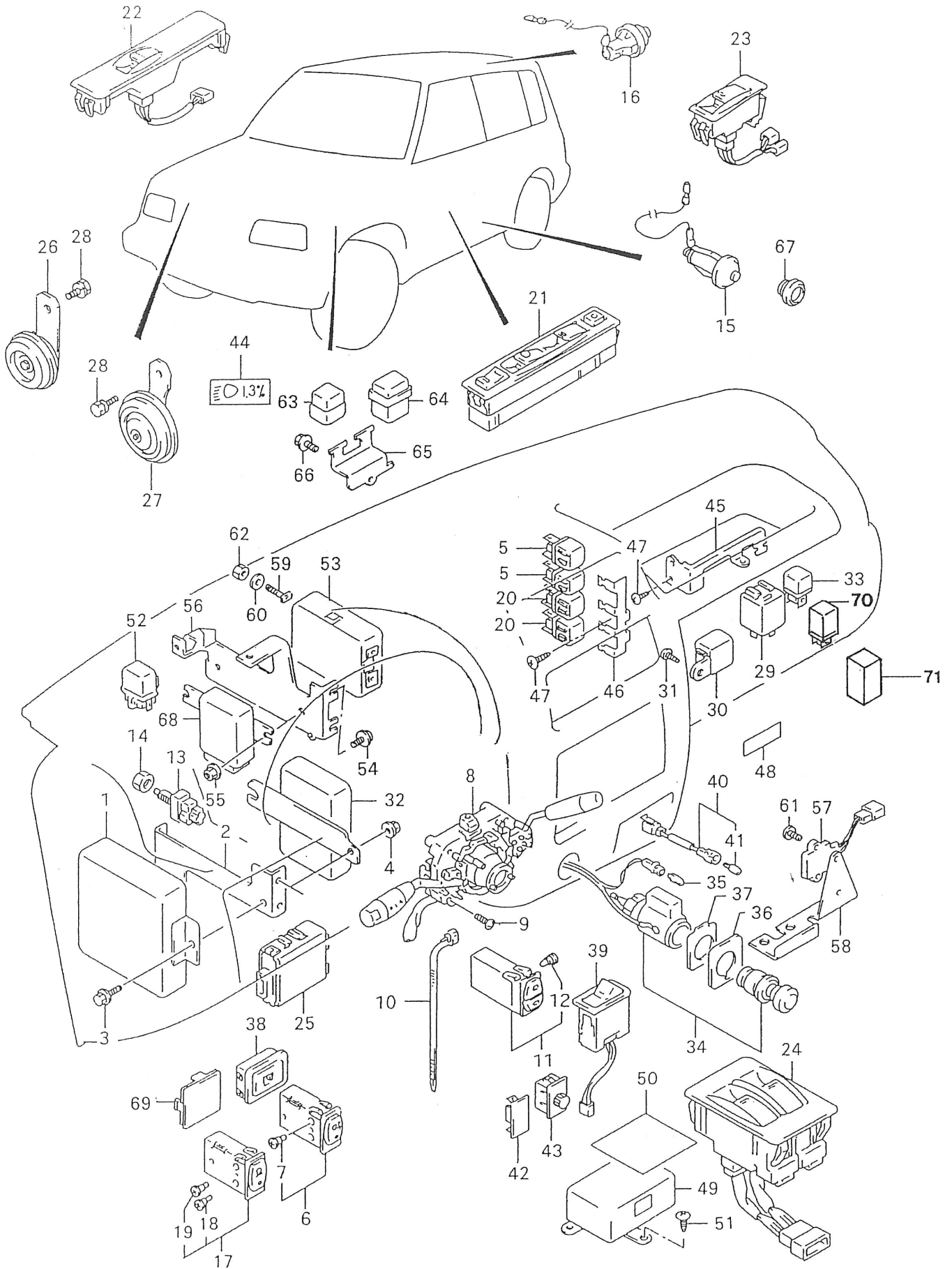


FIG. 084 (1-K-04) ELECTRICAL CONTROL (LHD)

REF. N.º	PART N.º	DESCRIPTION	Q, TY		REMARKS
			C	V	
53	33940-70E10	CONTROLLER ASSY, ABS	1	1	W/ABS
54	01550-06103	BOLT	4	4	W/IMMOBILIZER
55	08316-10063	NUT	2	2	W/ABS
56-1	33946-70E11	BRACKET, CONTROLLER	1	1	W/IMMOBILIZER
56-2	33946-70E30	BRACKET, ABS RELAY	1	1	W/ABS
57	33945-70E00	SENIOR ASSY, G	1	1	W/ABS
58	33946-70E00	BRACKET, G SENSOR	1	1	W/ABS
59	36886-50D00	BOLT, ABS CONTROLLER	3	3	W/ABS
60	38913-50D00	INSURATOR, ABS CONTROLLER	3	3	W/ABS
61	02112-04083	SCREW, G SENSOR	2	2	W/ABS
62	08316-10053	NUT	3	3	W/ABS
63	38860-50G20	RELAY ASSY, ABS	2	2	W/ABS
64	38863-70G00	COVER, ABS RELAY	2	2	W/ABS
65	33946-70E30	BRACKET, ABS RELAY	1	1	W/ABS
66	01550-06103	BOLT	1	1	W/ABS
67	09250-14008	CAP, DOOR SWITCH HOLE	-	1	3DR
68	33970-70E00	CONTROLLER, IMMOBILIZER	1	1	E22, WIMMOBILIZER
69	37955-60E00	CAP, MIRROR SWITCH HOLE	1	1	N/REMOCON MIRROR
70	35224-86CA0	REALY ELECTRO	2	2	1.9 DIESEL
71	35334-86CA0	PROTECTOR REALY ELECTRO	2	2	1.9 DIESEL

FIG. 85

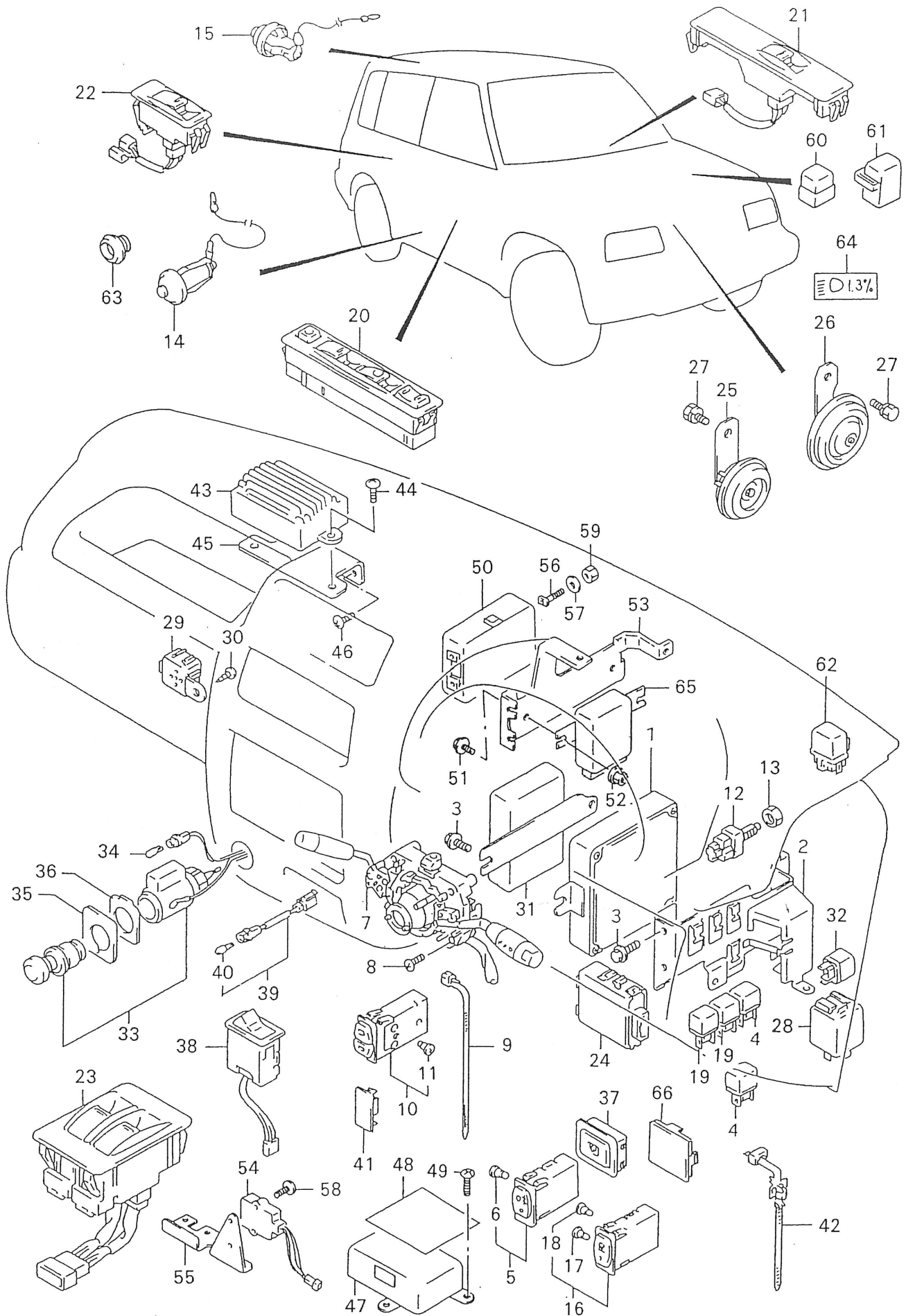


FIG. 105 (1-M-04) POWER STEERING OIL PUMP (LHD)

REF. N.º	PART N.º	DESCRIPTION	Q, TY		REMARKS
			C	V	
1	49100-56B20	PUMP ASSY, POWER STEERING	1	1	
2	49111-56B20	.PULLEY SET	1	1	
3	49112-56B20	.CONNECTOR SET	1	1	
4	49113-56B20	.TERMINAL SET	1	1	
5	49114-56B20	.SEAL SET	1	1	
6	49115-56B20	.BOLT SET	1	1	
7-1	49120-56B11	BRACKET, PUMP	1	1	2 VALVE
7-2	49120-56B00	BRACKET, PUMP	1	1	4 VALVE
8	09103-08132	BOLT, PUMP	1	1	
9	01550-10203	BOLT, BRACKET NO.1	2	2	
10	01550-08203	BOLT, PUMP HOLDER	1	1	
11	01550-08203	BOLT, BRACKET NO.2	1	1	
12-1	49140-56B00	TANK ASSY, POWER STEERING OIL	1	1	
12-2	49140-60A01	TANK ASSY, POWER STEERING OIL	1	1	1.9 DIESEL
13	49141-60A00	.CAP, TANK	1	1	
14	01550-06103	BOLT, TANK	2	2	
15	17521-85C00	BELT, POWER STEERING	1	1	N/AIR CON
16	49211-60A70	HOSE, RETURN	1	1	
17	49230-79E00	HOSE, PRESSURE	1	1	
18-1	49214-56B00	HOSE, SUCTION	1	1	
18-2	49214-86CA0	HOSE, SUCTION	1	1	1.9 DIESEL
19	09168-14009	GASKET, GEAR BOX (14X18X1.5)	2	2	
20	09168-16002	GASKET, POWER STRG PUMP	2	2	
21-1	49251-85C00	BOLT, UNION GEAR BOX (14X27)	1	1	
21-2	09360-14011	BOLT, UNION GEAR BOX	1	1	1.9 DIESEL
22-1	49252-85C00	BOLT, UNION PUMP	1	1	
22-2	49252-86CA0	BOLT, UNION PUMP	1	1	1.9 DIESEL
23	09400-24301	CLAMP, SUCTION	2	2	
24	49253-85C00	CLAMP, RETURN	2	2	
25	09408-00126	CLAMP	1	1	
26	09408-00176	CLAMP	1	1	

FIG. 106

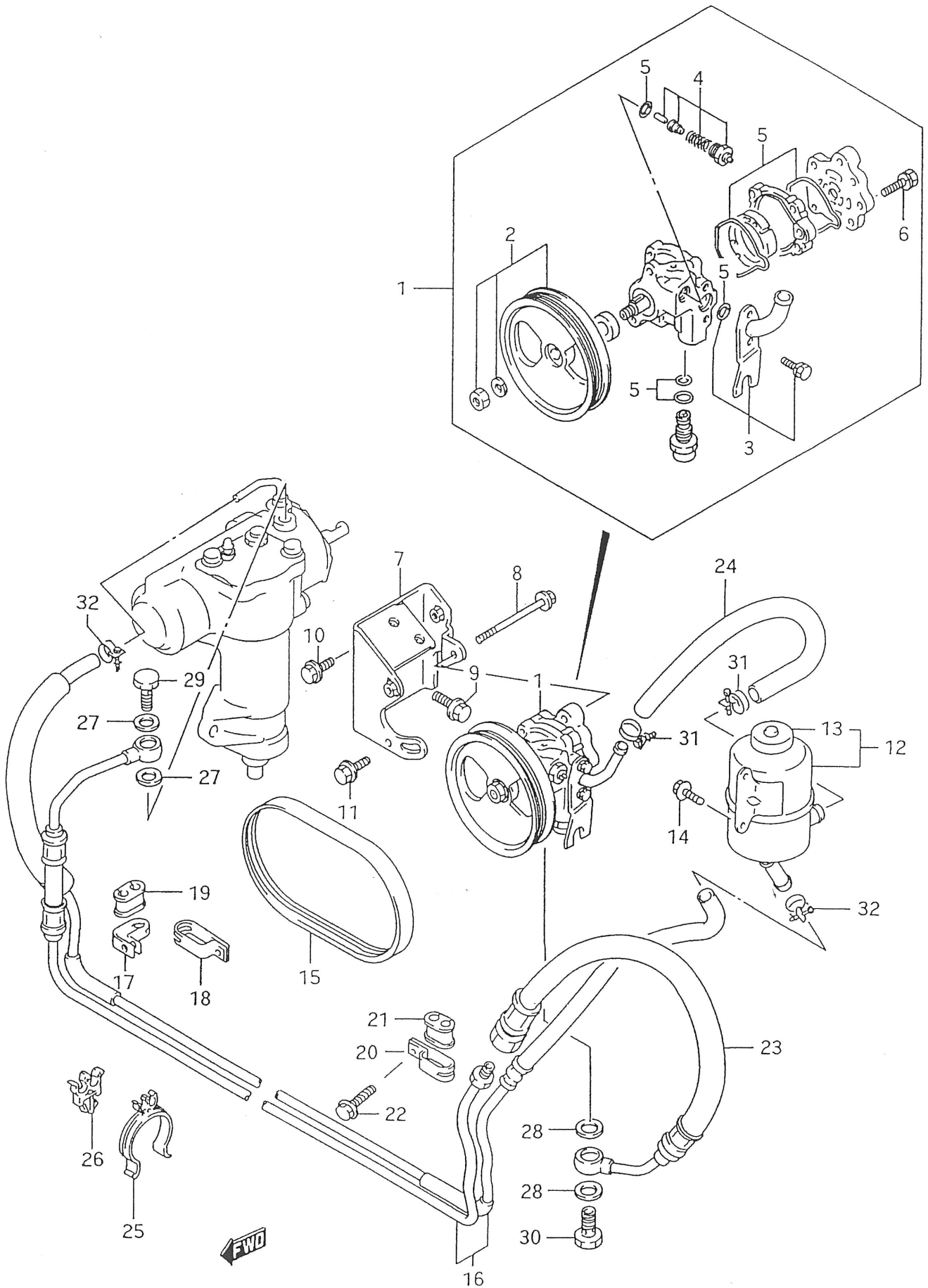


FIG. 115 (2-A-06) BRAKE PIPING (LHD:N/ABS)

REF. N.º	PART N.º	DESCRIPTION	Q, TY		REMARKS
			C	V	
1-1	51410-85C00	PIPE, MA PRIMARY TO JOINT	1	1	2 VALVE
1-2	51410-57B00	PIPE, MA PRIMARY TO JOINT	1	1	4 VALVE
2-1	51520-85C00	PIPE, MA SECONDARY TO JOINT	1	1	2 VALVE
2-2	51520-57B00	PIPE, MA SECONDARY TO JOINT	1	1	4 VALVE
3	51751-60B00	CLAMP	3	3	
4-1	51640-60A30	JOINT, BRAKE 5 WAY	1	1	
4-2	51640-85C00	JOINT, BRAKE 5 WAY	1	1	1.9 DIESEL
5	01550-06403	BOLT	2	2	
6	51570-85C00	HOSE, MASTER CYLINDER FLEXIBLE	2	2	
7-1	51420-77E10	PIPE, JOINT TO BRAKE HOSE	1	1	
7-2	51420A60A00	PIPE, JOINT TO BRAKE HOSE	1	1	1.9 DIESEL
8	51781-85C00	CLAMP	1	1	
9	01570-06123	BOLT	1	1	
10	51540-85C00	HOSE, FRONT FLEXIBLE RH	1	1	
11-1	51430A60A60	PIPE, CYLINDER TO FR HOSE	1	1	2 VALVE
11-2	51430-57B00	PIPE, CYLINDER TO FR HOSE	1	1	4 VALVE
12	51435-60A00	CLAMP	1	1	
13	51550-85C00	HOSE, FRONT FLEXIBLE LH	1	1	
14	51593-85C00	E RING	9	9	
15	51591-85C00	GASKET, FLEXIBLE HOSE	8	8	
16	51592-85C00	BOLT	4	4	
17-1	51340-60A00	PIPE, JOINT VALVE FRONT	1	1	3DR, 4 VALVE
17-2	51340-56B20	PIPE, JOINT VALVE FRONT	-	1	5DR
18-1	51460-60A00	PIPE, JOINT TO VALVE REAR	1	1	3DR, 4 VALVE
18-2	51460-56B20	PIPE, JOINT TO VALVE REAR	-	1	5DR
18-3	51460A60A00	PIPE, JOINT VALVE FRONT	1	1	3DR, 2 VALVE
19	51465-60A00	CLAMP	1	1	



FIG. 115

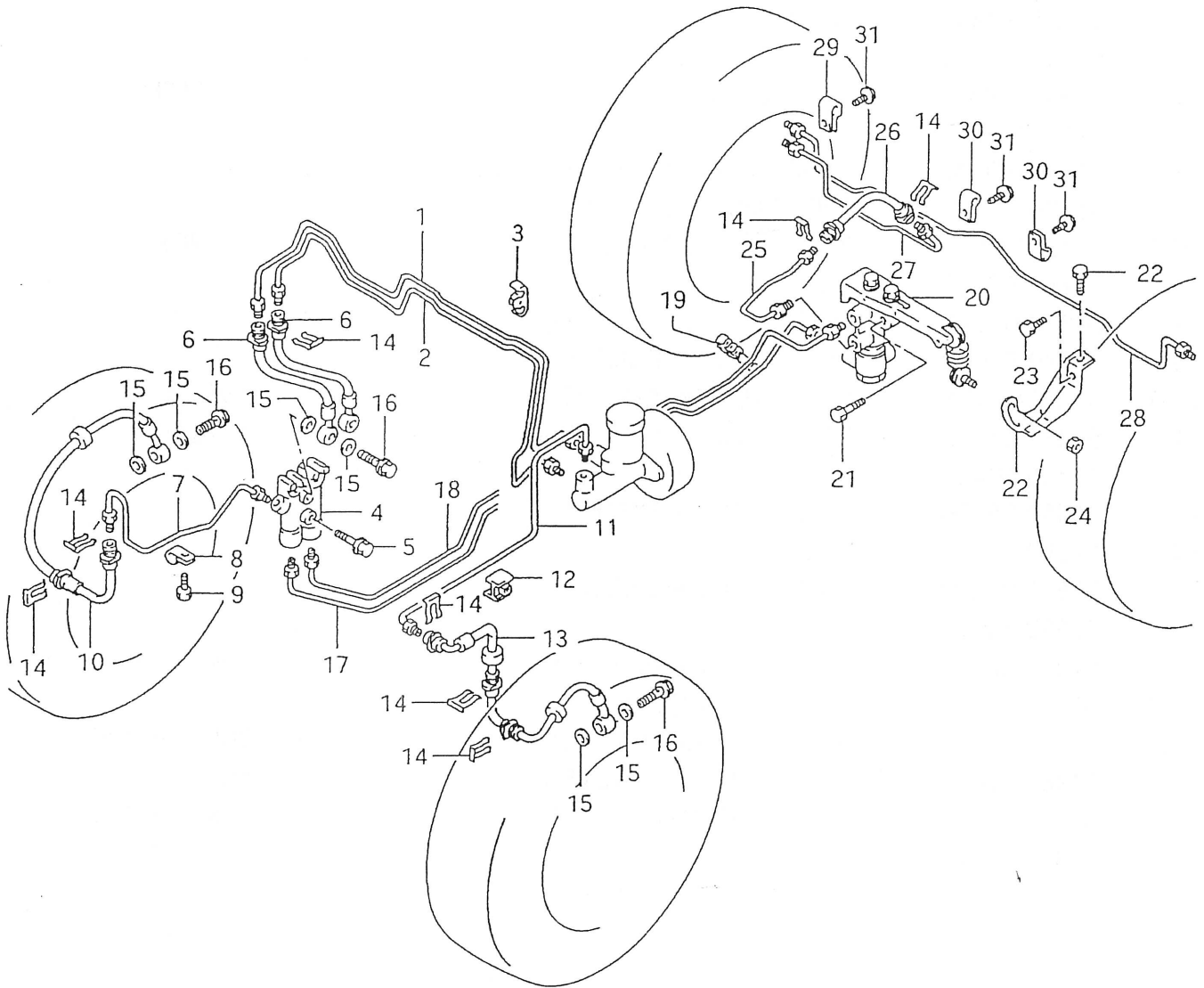


FIG. 115 (2-A-07) BRAKE PIPING (LHD:N/ABS)

REF. N.º	PART N.º	DESCRIPTION	Q, TY		REMARKS
			C	V	
20-1	51930-60A20	VALVE ASSY, LOAD SENSING PROP	1	1	3DR, 4 VALVE
20-2	51930-56B20	VALVE ASSY, LOAD SENSING PROP	-	1	5DR
20-3	00000A00922	VALVE ASSY, LOAD SENSING	1	1	3DR, 2 VALVE, NOT ILLUSTRATED
21	01570-08403	BOLT	2	2	4 VALVE
22	51955-60A20	STAY, PROPORTIONING VALVE	1	1	4 VALVE
23	01550-08163	BOLT, STAY	2	2	4 VALVE
24	08316-10083	NUT	1	1	4 VALVE
25-1	51350-60A00	PIPE, VALVE TO REAR BRAKE HOSE	1	1	3DR, 4 VALVE
25-2	51350-56B20	PIPE, VALVE TO REAR BRAKE HOSE	-	1	5DR
25-3	51350A60A00	PIPE, VALVE TO REAR BRAKE	1	1	3DR, 2 VALVE
26-1	51560-83031	HOSE, REAR BRAKE FLEXIBLE	1	1	4 VALVE
26-2	51560B83031	HOSE, REAR BRAKE FLEXIBLE	1	1	2 VALVE
26-3	51560-86CA0	HOSE, REAR BRAKE FLEXIBLE	1	1	1.9 DIESEL
27-1	51470-60A10	PIPE, HOSE TO REAR RH BRAKE	1	1	3DR, 4 VALVE
27-2	51470-56B01	PIPE, HOSE TO REAR RH BRAKE	-	1	5DR
27-3	51470A60A00	PIPE, HOSE TO REAR RH BRAKE	1	1	3DR, 2 VALVE
28-1	51480-60A11	PIPE, RH BRAKE TO LH BRAKE	1	1	3DR, 4 VALVE
28-2	51480-56B01	PIPE, RH BRAKE TO LH BRAKE	-	1	5DR
28-3	51480A60A00	PIPE, RH BRAKE TO LH BRAKE	1	1	3DR, 2 VALVE
29	09403-06404	CLAMP	1	1	
30	51781-85C10	CLAMP	4	4	
31	51791-85C00	SCREW	5	5	
32	51755-67000	PROTECTOR BRAKE PIPE	5	5	1.9 DIESEL NOT ILLUSTRATED



FIG. 128 (2-C-06) BODY MOUNTING (3DR)

REF. N.º	PART N.º	DESCRIPTION	Q, TY		REMARKS
			C	V	
1-1	71410-60A21	STAY, RADIATOR RH	1	1	LHD
1-2	71410-60A01	STAY, RADIATOR RH	1	1	RHD
2-1	71420-60A11	STAY, RADIATOR LH	1	1	
2-2	71420-86CA0	STAY, RADIATOR LH	1	1	1.9 DIESEL
3	71451-60A00	HOOK, SHIPPING REAR	1	1	
4	71461-60A00	COVER, FRONT SUSPENSION ARM HANGER RH	1	1	
5	71471-60A00	COVER, FRONT SUSPENSION ARM HANGER LH	1	1	
6	71481-60A00	PROTECTOR, 1ST MOUNTING BRACKET	2	2	
7	71511-60A00	CUSHION, BODY MOUNTING NO.1	6	6	
8	71512-60A10	CUSHION, BODY MOUNTING NO.2	6	6	
9	71513-60A00	COLLOR, BODY MOUNTING	6	6	
10	71514-60A00	CUSHION, BODY FR MOUNTING NO.1	2	2	
11	71515-60A00	CUSHION, BODY FR MOUNTING NO.2	2	2	
12	71516-85C00	COLLOR, BODY FRONT MOUNTING	2	2	
13	71517-56B01	SPACER, BODY FRONT MOUNTING	2	2	
14	71521-56B00	PAD, BODY MOUNTING	4	4	
15	71632-83010	BOTTOM, BODY MOUNTING	8	8	
16	72211-56B00	FLAP, FRONT FRAME SIDE RH	1	1	
17	09103-12043	BOLT, SHIPPING HOOK (12X20)	2	2	
18	59119-85C00	NUT, BODY MOUNTING	6	6	
19	09409-06318	CLIP, FR FRAME FLAP	2	2	
20	59931-85C00	CLIP, HANGER COVER	2	2	
21	09409-10302-5PK	CLIP, BODY MOUNTING (BLACK)	4	4	
22	01570-08203	BOLT, RADIATOR STAY	4	4	
23	01570-10853	BOLT, BODY MOUNTING	2	2	

FIG. 129

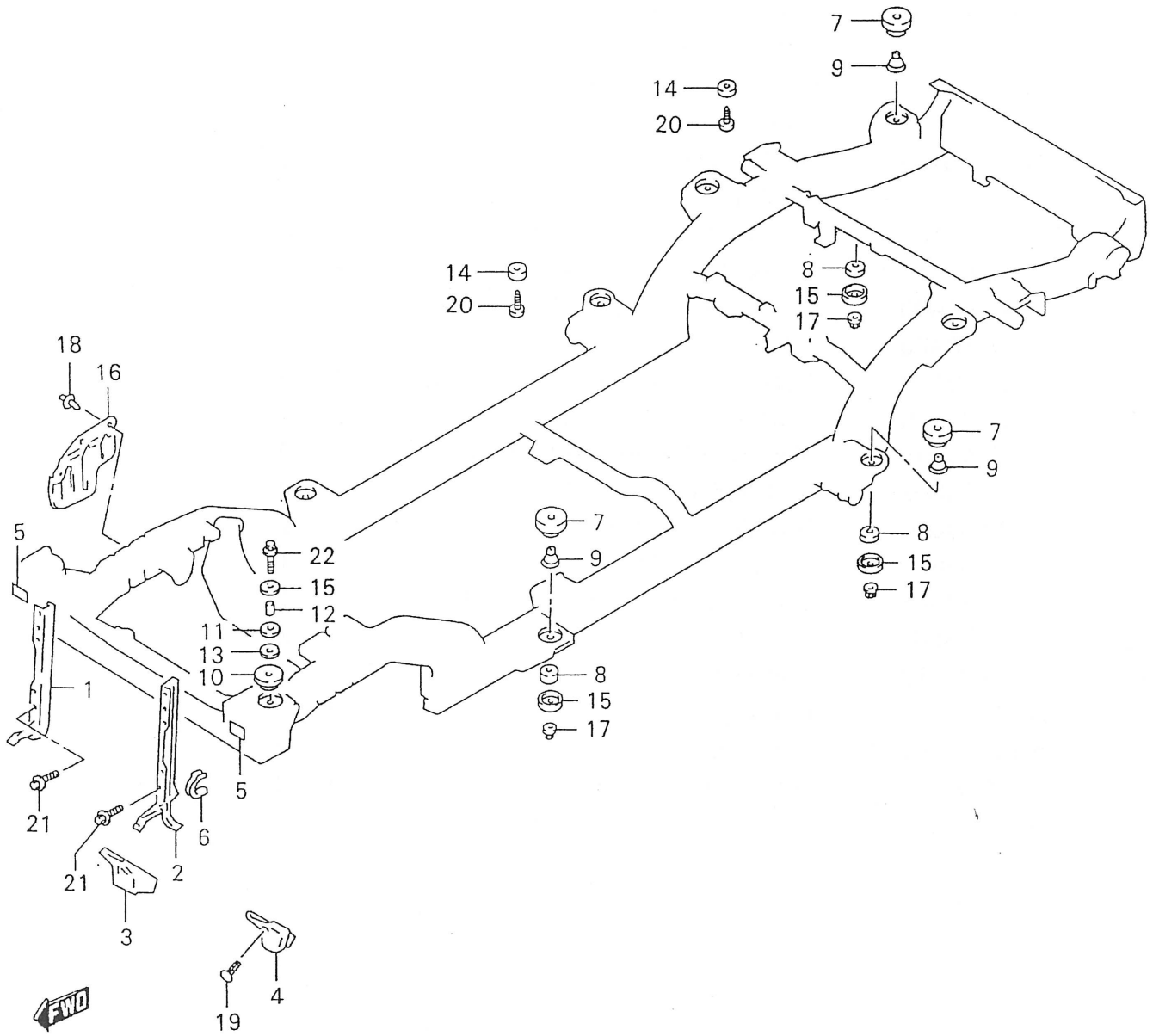


FIG. 129 (2-C-07) BODY MOUNTING (5DR)

REF. N.º	PART N.º	DESCRIPTION	Q, TY		REMARKS
			C	V	
1	71410-56B00	STAY, RADIATOR RH		1	
2	71420-56B21	STAY, RADIATOR LH		1	
3	71461-56B00	COVER, FRONT SUSPENSION ARM HANGER RH		1	
4	71471-56B00	COVER, FRONT SUSPENSION ARM HANGER LH		1	
5	71481-56B00	PROTECTOR, FRONT BUMPER MOUNTING		2	
6	71491-56B00	PROTECTOR, FRONT TOWING BUMPER		1	
7	71511-56B00	CUSHION, BODY MOUNTING NO.1		6	
8	71512-60A10	CUSHION, BODY MOUNTING NO.2		6	
9	71513-60A00	COLLOR, BODY MOUNTING		6	
10	71514-56B00	CUSHION, BODY FR MOUNTING NO.1		2	
11	71515-60A00	CUSHION, BODY FR MOUNTING NO.2		2	
12	71516-85C00	COLLOR, BODY FRONT MOUNTING		2	
13	71517-56B01	SPACER, BODY FRONT MOUNTING		2	
14	71521-56B00	PAD, BODY MOUNTING		4	
15	71632-83010	BOTTOM, BODY MOUNTING		8	
16	72211-56B00	FLAP, FRONT FRAME SIDE RH		1	
17	59119-85C00	NUT, BODY MOUNTING		6	
18	09409-06318	CLIP, FR FRAME FLAP		3	
19	59931-85C00	CLIP, HANGER COVER		2	
20	09409-10302-5PK	CLIP, BODY MOUNTING (BLACK)		4	
21	01570-08203	BOLT, RADIATOR STAY		4	
22	01570-10853	BOLT, BODY MOUNTING		2	

FIG. 130

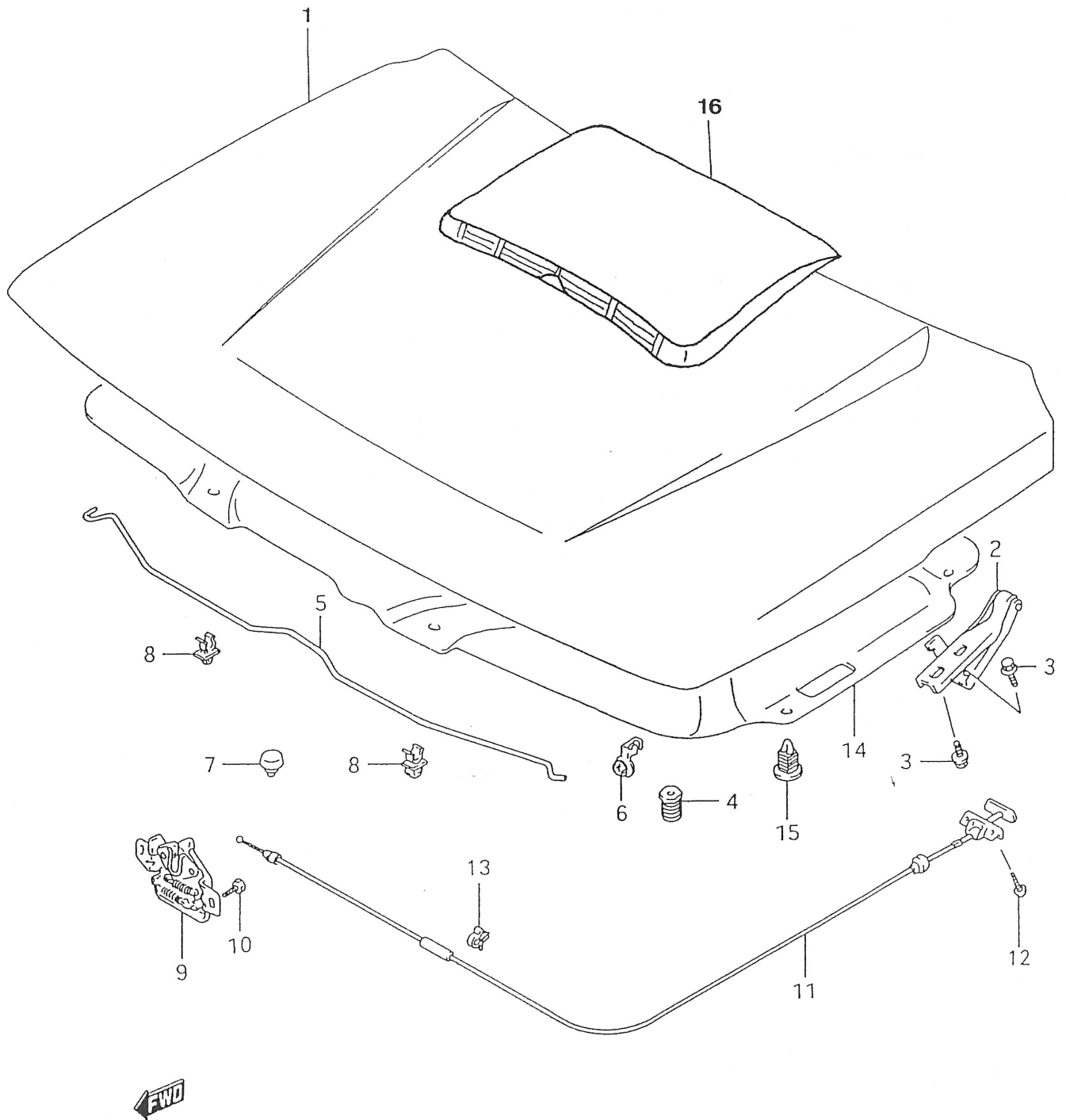


FIG. 130 (2-C-08) ENGINE FRONT HOOD

REF. N.º	PART N.º	DESCRIPTION	Q, TY		REMARKS
			C	V	
1-1	58300-63A20	PANEL ASSY, FRONT HOOD	1	1	
1-2	58300-86CA0	PANEL ASSY, FRONT HOOD	1	1	1.9 DIESEL
2	58410-60A30	HINGE, FRONT HOOD	2	2	
3	01580-06163	BOLT, HINGE	8	8	
4	72372-85C00	CUSHION, FRONT HOOD	2	2	
5	72431-60A02	STAY, FRONT HOOD	1	1	
6	09209-14001	LINKAGE, FRONT HOOD STAY	1	1	
7	09321-10023	CUSHION, FRONT HOOD	1	1	
8	09403-07307-5PK	CLAMP, HOOD STAY (BLACK)	2	2	
9-1	82110-77E10	LATCH, HOOD	1	1	LHD
9-2	82110-77E00	LATCH, HOOD	1	1	RHD
10	01580-06123	BOLT, LATCH	2	2	
11	82160-85C00	CABLE, LATCH RELEASE	1	1	
12	02142-05123	SCREW	2	2	
13	82192-85C00	CLAMP, CABLE	2	2	
14-1	75270-56B01	SILENCER, FR HOOD	1	1	
14-2	75270-86CA0	SILENCER, FRONT HOOD	1	1	1.9 DIESEL
15	09409-06309-5ES	CLIP, SILENCER (BLACK)	8	8	
16	77300-86CA0	AIR SCOOP	1	1	1.9 DIESEL



FIG. 131

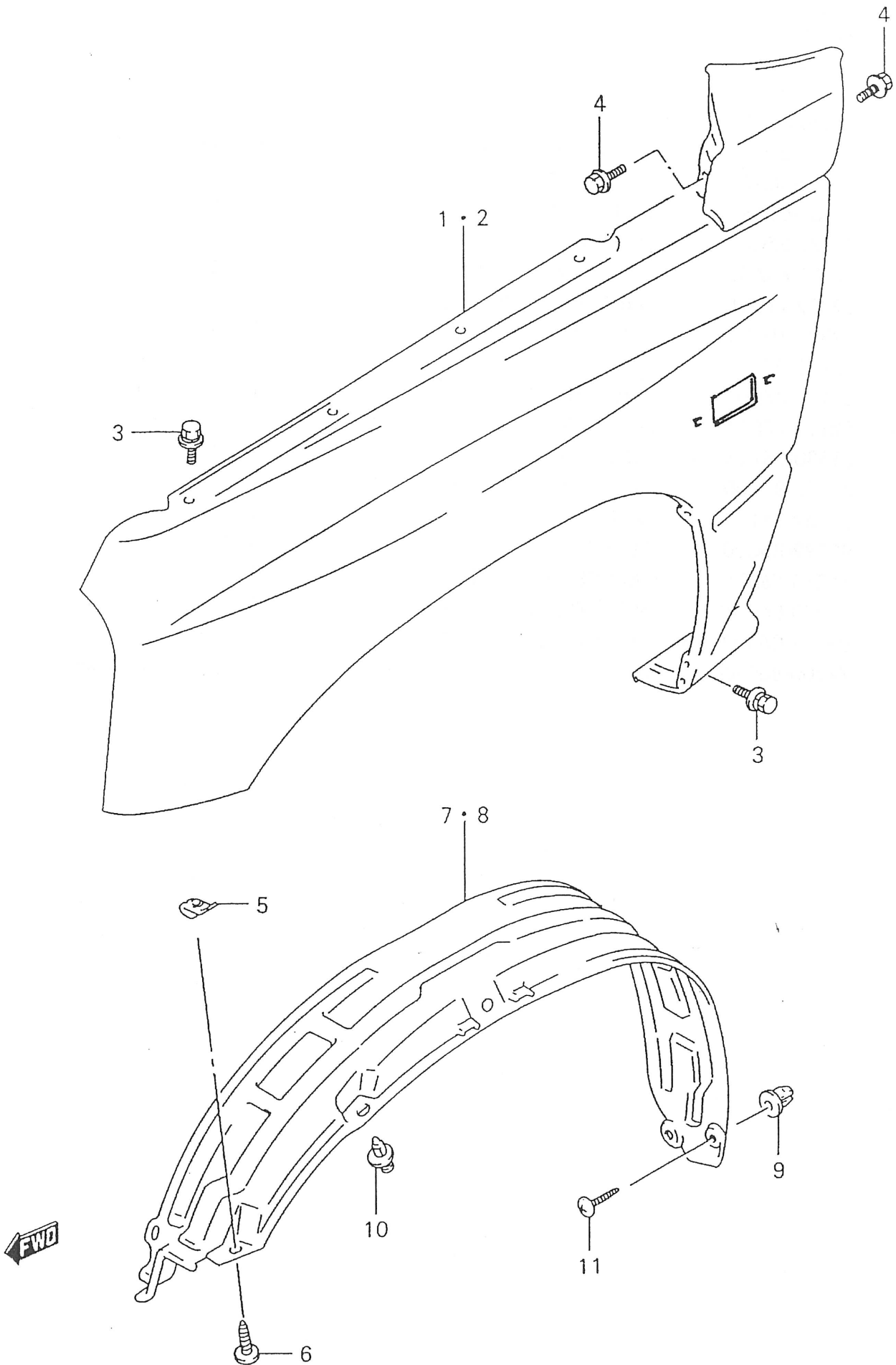


FIG. 132 (2-C-10) FRONT SHEET METAL (LHD)

REF. N.º	PART N.º	DESCRIPTION	Q, TY		REMARKS
			C	V	
1	58110-85C00	PANEL, FRONT	1	1	
2	58190-56B00	MEMBER, FRONT PANEL LOWER	1	1	
3	09136-06078	SCREW, FRONT PANEL (6X10)	10	10	
4	72411-60A01	MEMBER, FRONT PANEL CENTER	1	1	
5	01550-06123	SCREW, FRONT PANEL CTR MEMBER	4	4	
6-1	58700-63A90	PANEL, FRONT WHEEL HOUSING RH	1	1	E22
6-2	58700-63A40	PANEL, FRONT WHEEL HOUSING RH	1	1	E53
6-3	58700-86CA0	PANEL, FRONT WHEEL HOUSING RH	1	1	1.9 DIESEL
7-1	58900-63A20	PANEL, FRONT WHEEL HOUSING LH	1	1	N/ABS
7-2	58900-63A00	PANEL, FRONT WHEEL HOUSING LH	1	1	W/ABS
7-3	58900-86CA0	PANEL, FRONT WHEEL HOUSING LH	1	1	1.9 DIESEL
8	58712-60A10	.EXTENSION, WHEEL HOUSING RH	1	1	
9	58912-60A10	.EXTENSION, WHEEL HOUSING LH	1	1	
10	58717-60A00	.BRACKET, BRAKE PIPE	1	1	
11	58730-85C00	.PANEL, LAMP SUPPORT RH	1	1	
12	58930-56B01	.PANEL, LAMP SUPPORT LH	1	1	
13	58740-60A00	.GUSSET, FRONT CORNER RH	1	1	
14	58941-60A00	.GUSSET, FRONT CORNER LH	1	1	
15	58755-60A00	.GUSSET, FRONT LOWER MEMBER RH	1	1	
16	58955-60A00	.GUSSET, FRONT LOWER MEMBER LH	1	1	
17	58760-60A01	.BRACKET, BATTERY	1	1	
18	58771-56B00	MEMBER, FRONT BODY SIDE RH	1	1	
19	58970-56B01	MEMBER, FRONT BODY SIDE LH	1	1	
20	59110-56B00	PANEL, COWL TOP	1	1	
21-1	59211-60A01	PANEL, FRONT	1	1	
21-2	59211-86CA0	PANEL, FRONT	1	1	1.9 DIESEL
22	59310-56B21	PANEL, COWL UPPER	1	1	
23	59411-60A01	PANEL, SIDE RH	1	1	
24	59412-60A00	BRACKET, SIDE FRONT RH	1	1	
25	59421-60A01	PANEL, SIDE LH	1	1	
26	59422-60A00	BRACKET, SIDE FRONT LH	1	1	

FIG. 132

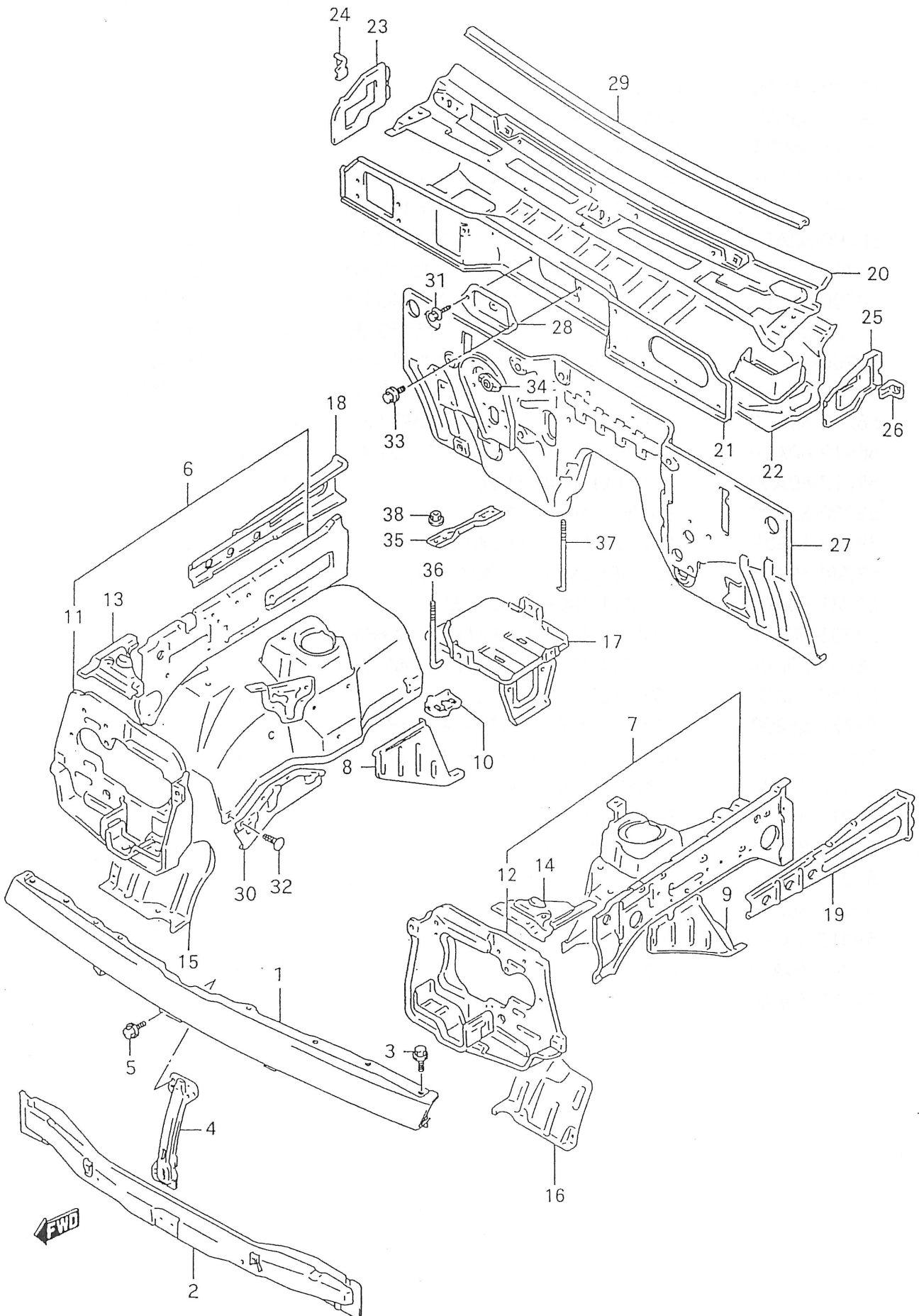


FIG. 132 (2-C-11) FRONT SHEET METAL (LHD)

REF. N.º	PART N.º	DESCRIPTION	Q, TY		REMARKS
			C	V	
27	61100-57B00	PANEL, DASH	1	1	
28	72421-60A00	LID, WIPER LINK SERVICE HOLE	1	1	
29	72471-60A00	WEATHERSTRIP, COWL TOP FRONT	1	1	
30	72485-60A00	FLAP, FRONT WHEEL HOUSING RH	1	1	
31	09115-06001	BOLT, WIPER SERVICE HOLE RH (6X16)	1	1	
32	09409-10304-5ES	CLIP, FR HOUSING FLAP (BLACK)	2	2	
33	01550-06123	BOLT, WIPER SERVICE HOLE	1	1	
34	72491-60A00	CAP, CLUTCH CABLE HOSE	1	1	AT
35	72511-85C00	BAND, BATTERY	1	1	
36	72512-85C00	BOLT, BATTERY	1	1	
37-1	72512-85C10	BOLT, BATTERY	1	1	
37-2	72512-86CA0	BOLT, BATTERY	1	1	1.9 DIESEL
38	08361-15063	NUT, BATTERY	2	2	

FIG. 133

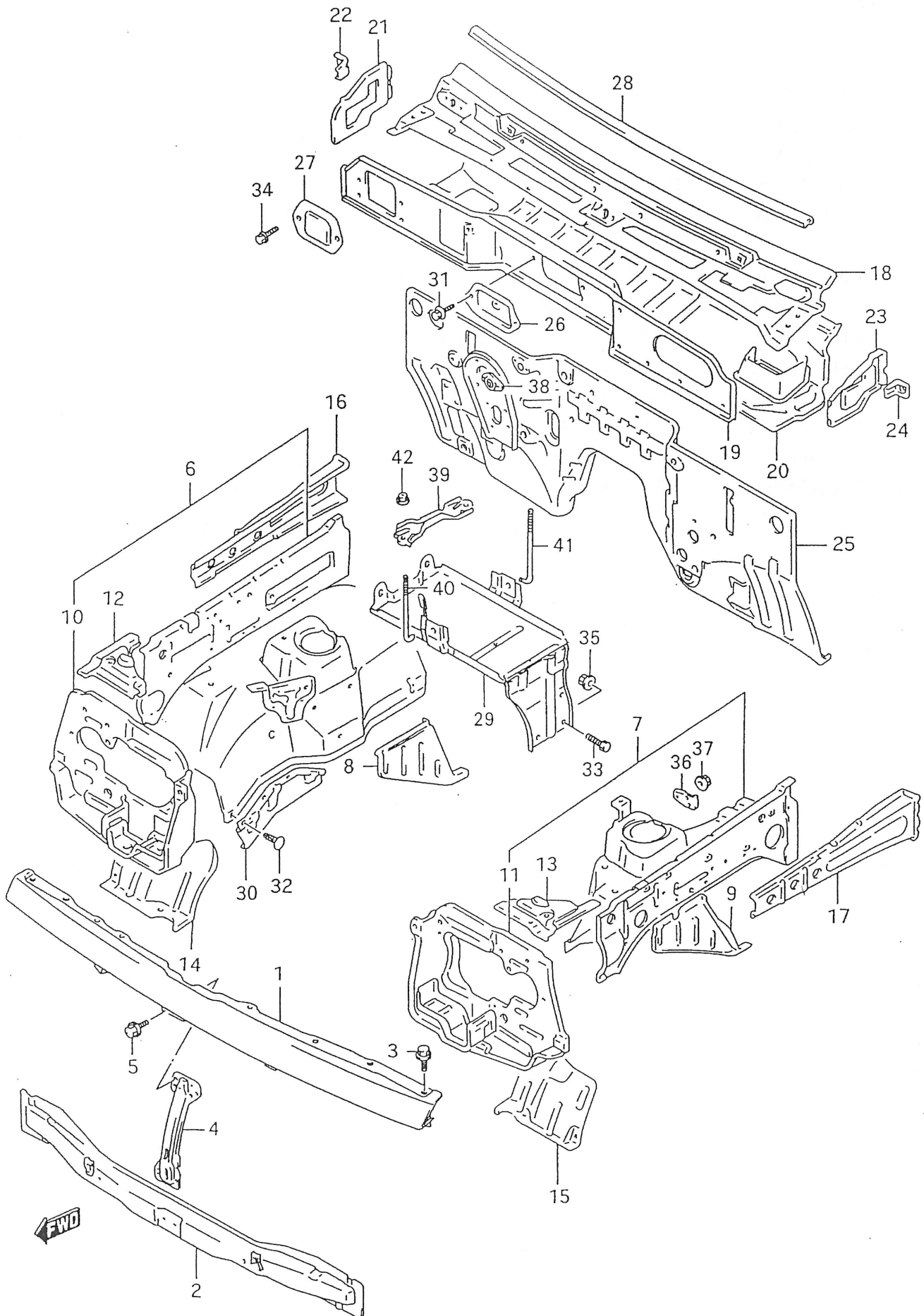


FIG. 157 (2-F-08) FLOOR CARPET (3DR)

REF. N.º	PART N.º	DESCRIPTION	Q, TY		REMARKS
			C	V	
1-1	75160-64A30-5EZ	CARPET, FR FLOOR (GRAY)	1	-	JA
1-2	75160-64A10-5EZ	CARPET, FR FLOOR (GRAY)	1	1	JX
1-3	75160-63A30-5EZ	CARPET, FR FLOOR (GRAY)	1	1	JLX
2	59991-85C00	MALE, CARPET HOOK	11	11	
3-1	75180-60A21-6MA	CARPET, RR FLOOR (GRAY)	1	1	JX
3-2	75180-85C20-6MA	CARPET, RR FLOOR (GRAY)	1	1	JLX
4	75170-61A00-5FB	FEMALE, CARPET HOOK (GRAY)	3	-	JA
5	75170-60A00	POCKET, TRANSFER EMBLEM	1	-	JA
6	75191-56B00	GARNISH, LUGGAGE MAT END	1	1	JX,JLX
7-1	09132-05041	SCREW, GARNISH (L:16)	5	-	JA
7-2	09132-05041	SCREW, GARNISH (L:16)	4	4	JX,JLX
8-1	75210-56B11	SILENCER, DASH PANEL	1	1	LHD
8-2	75210-56B21	SILENCER, DASH PANEL	1	1	RHD
8-3	75210-86CA0	SILENCER, DASH PANEL	1	1	1.9 DIESEL
9	59933-85C00	CLIP, DASH SILENCER	11	11	
10	75221-77E00	SILENCER, FRAME UPPER	2	2	
11	99611-60A00	SHEET, SILENCER (800X1000X3)	AR	AR	CUT AS REQUIRED

FIG. 158

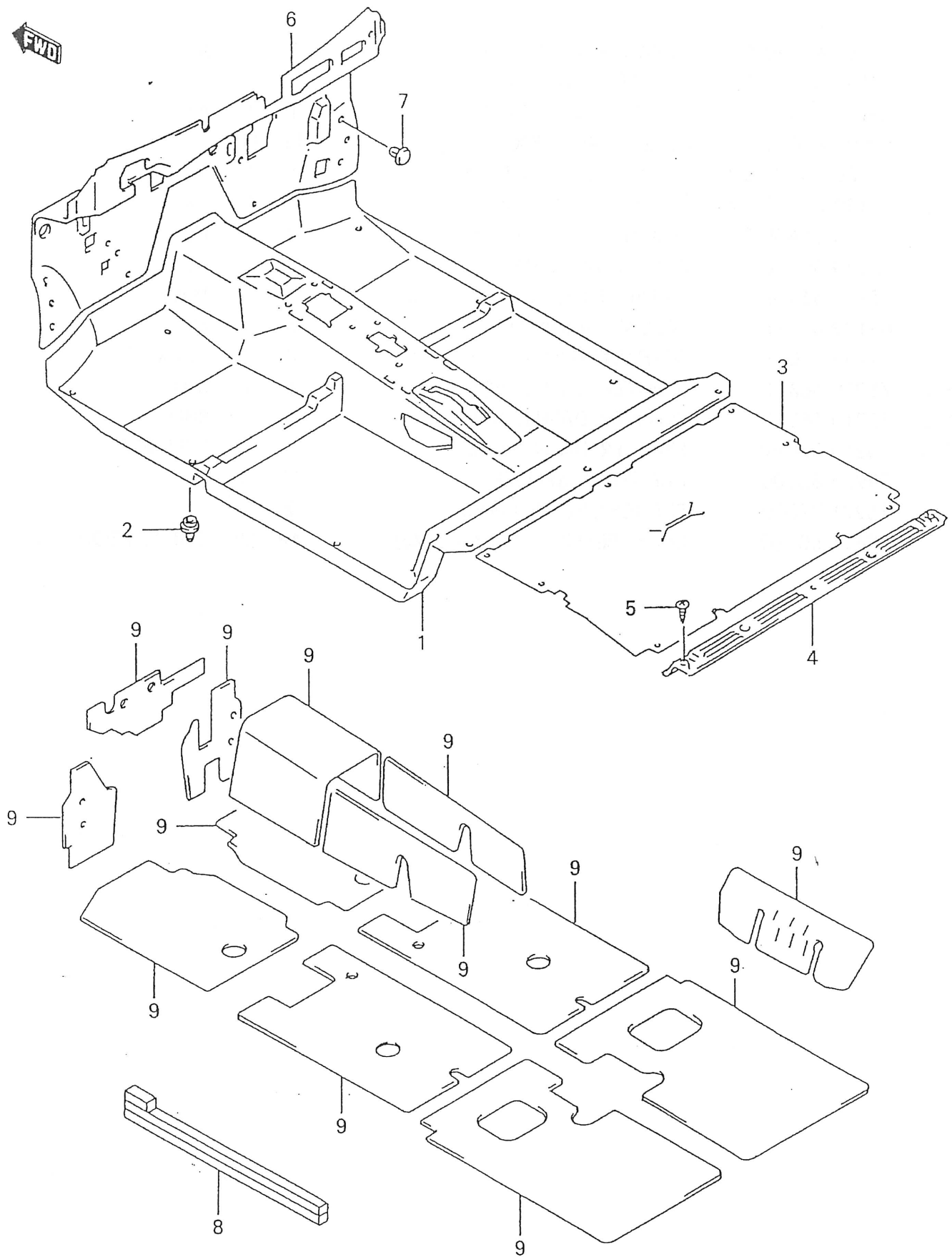
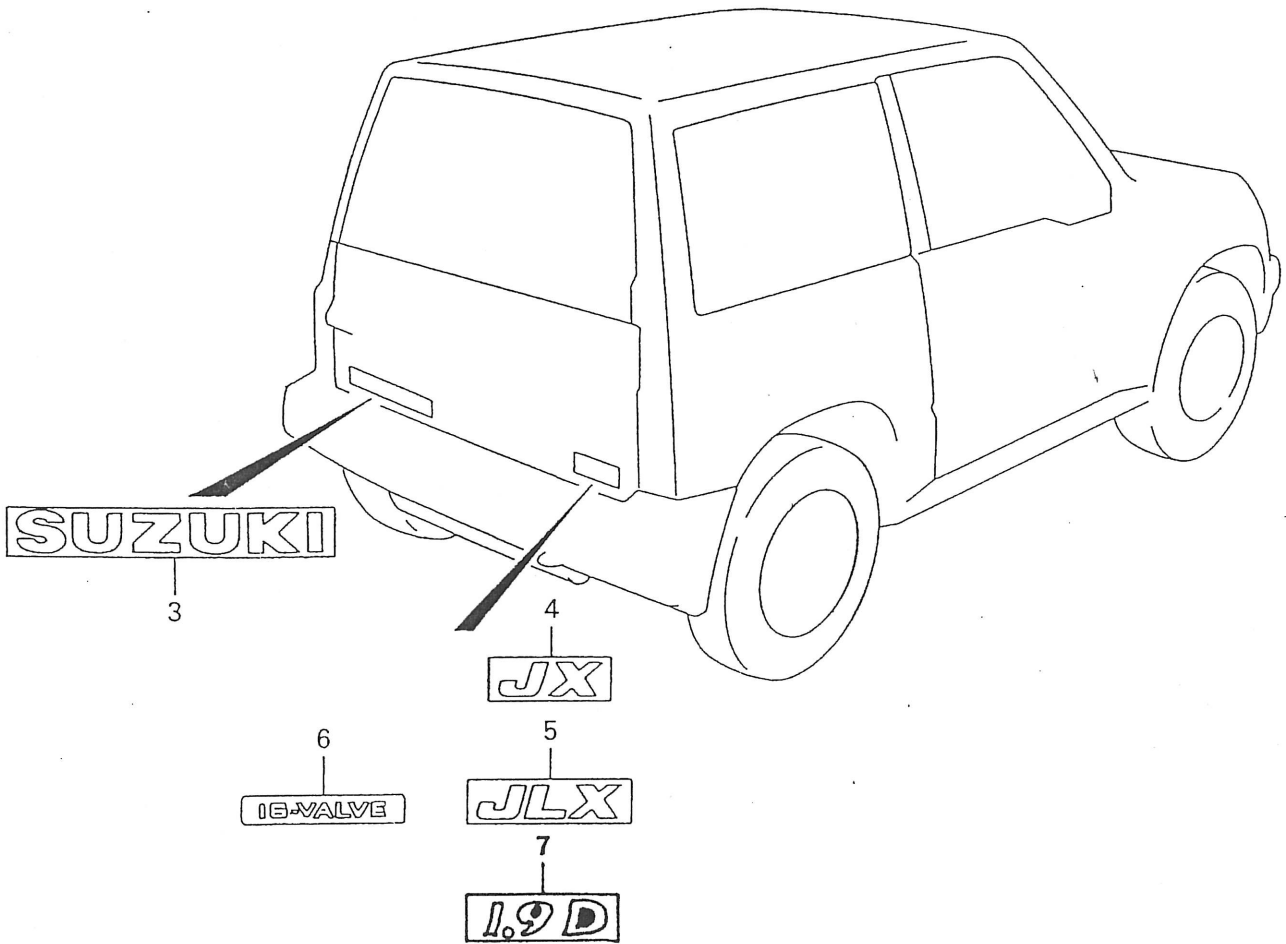
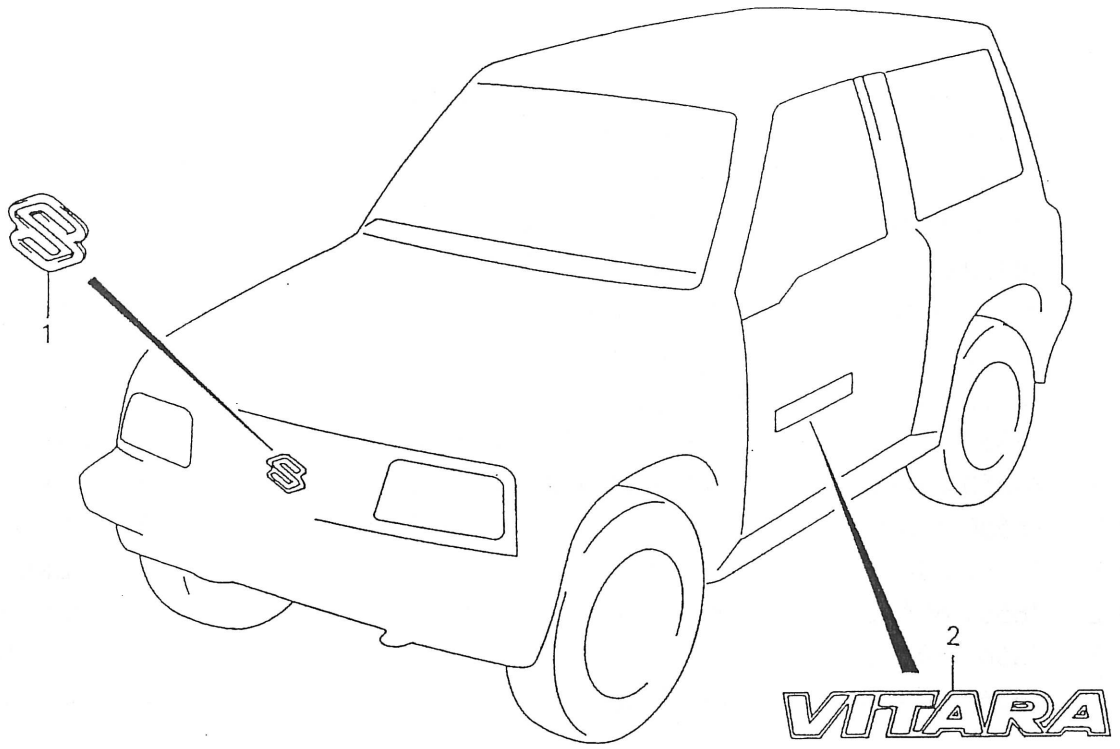


FIG. 164 (2-G-04) FUEL LID OPENER (V:JLX)

REF. N.º	PART N.º	DESCRIPTION	Q, TY		REMARKS
			C	V	
1	76510-60A00	HANDLE ASSY, FUEL OPENER		1	
2	03241-06123	SCREW, HANDLE		2	
3	76520-60A00	OPENER ASSY, FUEL LID		1	
4	09160-13011	WASHER, OPENER		1	
5	08322-01103	WASHER, OPENER		1	
6	08310-00103	NUT, OPENER		1	
7	76531-60A20	SPRING, FUEL LID		1	3DR
8	77118-60B02	SPRING, FUEL LID		1	5DR
9-1	76550-85C60	CABLE ASSY, FUEL OPENER		1	LHD
9-2	76550-60A00	CABLE ASSY, FUEL OPENER		1	3DR:RHD
9-3	76550-56B00	CABLE ASSY, FUEL OPENER		1	5DR:RHD
10-1	76561-60A00	TAPE, CABLE		6	3DR:LHD
10-2	76561-60A00	TAPE, CABLE		1	3DR:RHD
10-3	76561-60A00	TAPE, CABLE		7	5DR:LHD
10-4	76561-60A00	TAPE, CABLE		2	5DR:RHD

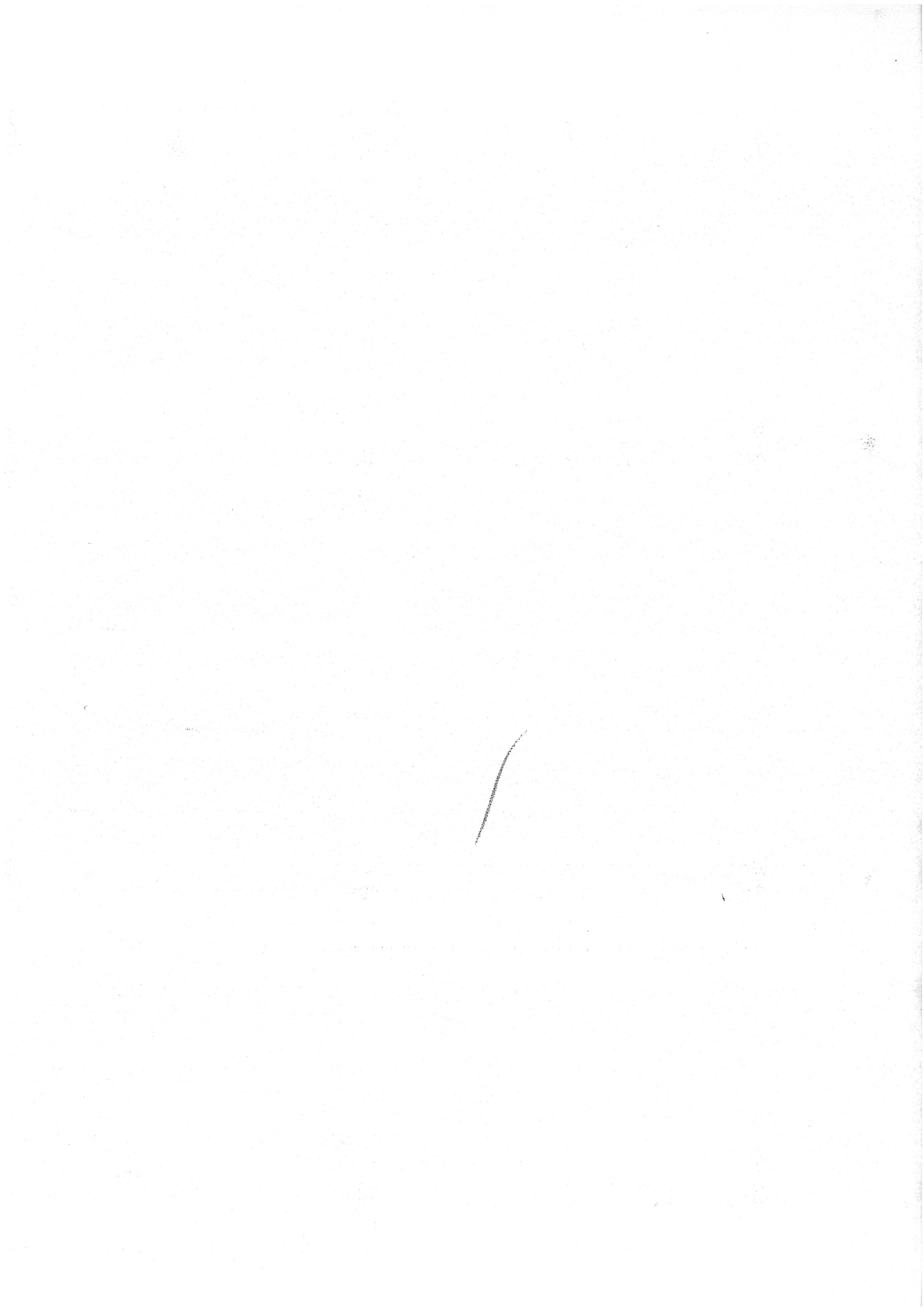


FIG. 165



## FIG. 165 (2-G-05) EMBLEM

REF. N.º	PART N.º	DESCRIPTION	Q, TY		REMARKS
			C	V	
1	77811-60A00-0PG	EMBLEM, S MARK (CHROME)	1	1	
2	77823-60A00-G78	EMBLEM, FR DOOR VITARA (SILVER)	2	2	
3	77831-85C00-31R	EMBLEM, RR GATE LOWER (SILVER)	1	-	
4	77712-60A00-31R	EMBLEM, JX (SILVER)	1	1	JX
5	77713-85C00-31R	EMBLEM, JLX (SILVER)	1	1	JLX
6	77861-60A00-G9	EMBLEM, 16-VALVE (SILVER)	1	1	4 VALVE
7	77831-86CA1	EMBLEM, 1.9D	1	1	1.9 DIESEL



## FIG. 165 (2-G-05) EMBLEM

REF N.º	PART N.º	DESCRIPTION	Q, TY		REMARKS
			C	V	
1	77811-60A00-0PG	EMBLEM, S MARK (CHROME)	1	1	
2	77823-60A00-G78	EMBLEM, FR DOOR VITARA (SILVER)	2	2	
3	77831-85C00-31R	EMBLEM, RR GATE LOWER (SILVER)	1	-	
4	77712-60A00-31R	EMBLEM, JX (SILVER)	1	1	JX
5	77713-85C00-31R	EMBLEM, JLX (SILVER)	1	1	JLX
6	77861-60A00-G9	EMBLEM, 16-VALVE (SILVER)	1	1	4 VALVE
7	77831-86CA1	EMBLEM, 1.9D	1	1	1.9 DIESEL

FIG. 166

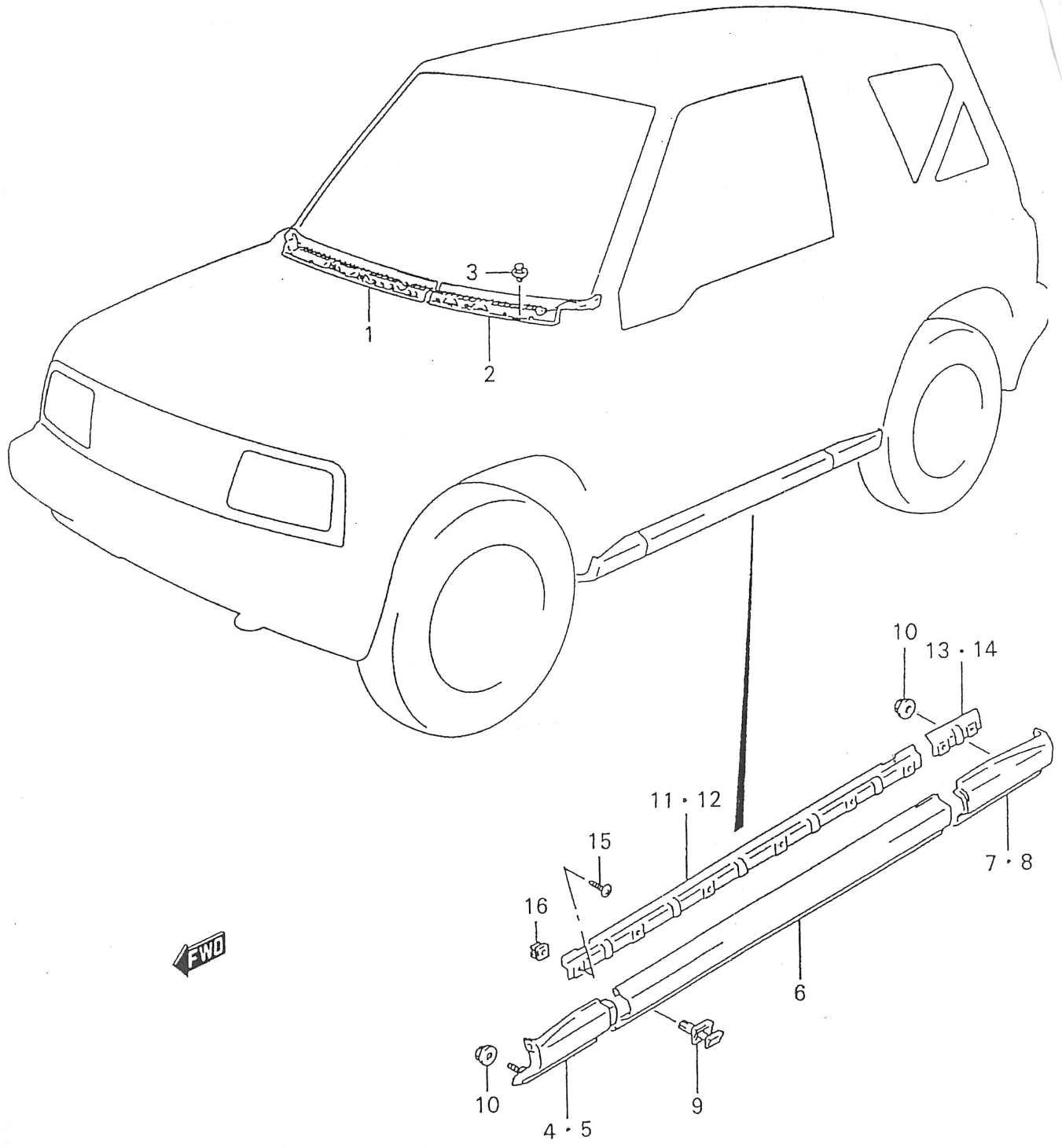


FIG. 190 (2-1-13) FUEL TANK (3DR)

REF. N.º	PART N.º	DESCRIPTION	Q, TY		REMARKS
			C	V	
1-1	89101-85C00	TANK ASSY, FUEL	1	1	
1-2	89101-86CA2	TANK ASSY, FUEL	1	1	1.9 DIESEL
2	89320-85C00	PROTECTOR, FUEL TANK	1	1	
3	09118-10068	BOLT (10X30)	4	4	
4	89260-65AB0	CAP ASSY, FUEL FILLER	1	1	
5	89201-85C00	NECK, FUEL FILLER	1	1	
6	89285-82000	PACKING, FUEL FILLER NECK	1	1	
7	09116-05014	BOLT	4	4	
8	89241-85C00	HOSE, FUEL TANK FILLER	1	1	
9	89372-85C00	CLAMP	2	2	
10	09354-13203-600	HOSE, TANK BREATHER	1	1	L:600>520
11	89371-85C00	CLAMP	2	2	
12	89280-60A00	VLAVE, FUEL TANK INLET	1	1	
13	89285-85C00	CLAMP	1	1	
14	09354-54115-600	HOSE	2	2	L:600>140
15	89411-60A01	SEPARATOR, FUEL AND VAPOR	1	1	
16	02142-05083	SCREW	2	2	
17	09354-54115-600	HOSE	1	1	L:600>125
18	89495-85C00	CLIP	2	2	
19	85451-75100	VLAVE, 2 WAY CHECK	1	1	
20	89485-60A00	CLAMP, CHECK VALVE	1	1	
21	02112-05083	SCREW	2	2	
22	09354-54115-600	HOSE	1	1	L:600>100
23	09354-54115-600	HOSE	1	1	L:600>140
24	89496-85C00	CLIP	8	8	
25	89430-61A10	PIPE, EVAPORATION MAIN	1	1	
26	34810-85C00	GAUGE ASSY, FUEL LEVEL	1	1	
27	34815-85C00	.GASKET	1	1	
28	15329-85C00	SCREW	5	5	
29	89311-66A10	PROTECTOR, FUEL FILLER HOSE	1	1	
30	89316-85C00	SCREW	3	3	
31	89300-60802	CYLINDER SET, FUEL LID LOCK	1	1	
32	09132-06008	SCREW	1	1	

FIG. 191

