

VITARA

PARTS CATALOGUE

USE05J16C ...

USE05J06C ...

SUZUKI
Caring for Customers
Pub-00000A01153

2. Information in the Identification Plate.

There are two types of identification plate.

SANTANA - MOTOR, S. A.		
ABE G463		1
VSEOSJJ6C 00		2
1 450	Kg	3
2900	Kg	4
660	Kg	5
900	Kg	6

For canvas top model

SANTANA - MOTOR, S. A.		
ABE G463		1
VSEOSJV6C 00		2
1 450	Kg	3
2900	Kg	4
660	Kg	5
900	Kg	6

For metal top model

(1) Homologation countersign

(2) V.I.N. : VSEOSJJ6C00-----1

VSEOSJV6C00-----1

- VSEOS : Manufacturer mark
- JJ : Canvas top model
- JV : Metal top model
- 6 : Engine 1600 C.C.
- C : Five speeds, left hand drive steering
- 00 : Invariable
- Six digits rest : Assembly serie number

(3) Maximum weight

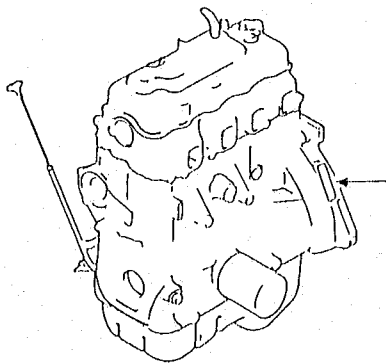
(4) Maximum weight with tow

(5) Maximum weight front axle

(6) Maximum weight rear axle

3. Engine Serial Number

Engine Serial Number for SE416 model is provided in the location illustrated below,
G16A M3J00001



Location of punched engine
serial number

4. Dimensions

Dimensions of the parts in this catalogue are indicated in unit millimeters.

5. Abbreviations

Abbreviations used in this catalogue are as follow:

A	: Ampere	MT	: Manual Transmission
AH	: Ampere Hour	N/	: Non
AM	: Amplitude Modulation	ND	: NIPPONDENSO
AR	: As Required	NGK	: NGK SPARK PLUG
ASSY	: Assembly	No.	: Number
AT	: Automatic Transmission	NT	: Number of teeth
BRKT	: Bracket	OD	: Outside Diameter
BS	: BRIDGESTONE TIRE	OHTSU	: OHTSU TIRE & RUBBER
COLPS	: Collapsible	OPNG	: Opening
COMB	: Combination	OPT	: Optional
CTR	: Center	OS	: Over Size
d	: Diameter of Material	PCV	: Positive Crankcase ventilation
DF	: Defogger	QTR	: Quarter
DIFF	: Differential	R	: Right hand side
DMR	: Dimmer	REV	: Reverse
DR	: Door	RH	: Right hand side
E.L.R	: Emergency Lock Retractor	RHD	: Right Hand Drive
E.No.	: Engine Number	RR	: Rear
EXC	: Except	RSV	: Reserve
FL	: Floor	SPNSN	: Suspension
FLEX	: Flexible	STD ROOF	: Standard Roof
FLTR	: Filter	STD	: Standard
FM	: Frequency Modulation	SYNC	: Synchronizer
F.No.	: Frame Number	T	: Thickness/
FR	: Front	TACH	: Tachometer
F5	: Floor shift transmission, 5 speeds.	TEMP	: Temperature
GAS	: Gasoline	US	: Under Size
H/BK	: Hatch Back	VIN	: Vehicle Identification Number
HR	: Hour	W	: Wide
HSG	: Housing	W/	: With
ID	: Inside Diameter or Identification	&	: and
INR	: Inner	1ST	: First
JX	: JX grade	2ND	: Second
JLX	: JLX grade	3DR	: 3 door
L	: Length or Left hand side	3RD	: Third
LCD	: Liquid Crystal Display	4TH	: Fourth
LH	: Left hand side	5DR	: 5 door
LHD	: Left hand drive	5TH	: Fifth

~ VSEOSJJ6C00000001 : Up to V.I.N. N° VSEOSJJ6C00000001
 ~ G16A M3J00001 : Up to Engine N° G16A M3J00001
 VSEOSJJ6C00000001 ~ : From V.I.N. N° VSEOSJJ6C00000001
 G16A M3J00001 ~ : From Engine N° G16A M3J00001

12 X 34 X 10
 | | |
 ID OD T(or W,L)

Figures in the description column show the dimensions of parts.

→12345-82001 (Parts N°) : Indicates that the part N° was changed to 12345-82001 and the new parts are interchangeable with former ones, but the former ones are not interchangeable with new ones.

←12345-82001 (Parts N°) : Indicates that the former and new parts are interchangeable with each other and are usable.

6. Inner parts of assembly

Parts number that have a period (.) mark in front of the description on a text page are separately serviced parts of the assembly.

7. Modification notice

A part bulletin will be sent to you on all occasions when changes in parts occur, including interchangeable modifications between new parts and old ones.

8. Note

8-1. There are some different parts from those of production models due to administrative reasons and common use with other models.

8-2. Rubber hoses and vinyl tubes should be cut to size in accordance with information detailed in the parts catalogue.

8-3. Note that the drawing on the illustration page are for ready reference of spare parts number and not to be used as an assembly manual.
When assembling, please refer to "SUZUKI SERVICE MANUAL".

9. Specification code

This catalogue contains the parts for the model designed for the following spec. E22

COLOR CHART

COLOR NO.	COLOR DESCRIPTION	COLOR NO.	COLOR DESCRIPTION
D51	0CB,0PG	5ES	OFF BLACK
G76	6KK,6JZ,5FE	5EZ	LIGHT GRAY (CARPET)
G78	0CA,31R	5FE	OFF BLACK (LEATHER)
G95	6KH,6AR,5FE	5FJ	OFF BLACK (BELT)
0CA	BLACK	5GF	DARK GRAY
0CB	BLACK(30% GROSS)	5PK	BLACK
0FC	RED (PRINT)	5TP	BLACK
0FT	RED PEARL	5UN	LIGHT GRAY (FLOCKY)
0PG	CHROME	55M	EXCELLENT BLACK
0VP	DARK CLASSIC JADE PEARL(GREEN)	6AR	DARK GRAY
064	PURE WHITE	6ER	SUPER WHITE CANVAS
1FG	DEEP BLUE PEARL	6JZ	DARK GRAY
1PU	PURPLE RED M/T	6KH	ROCK(GRAY/BLACK/PINK)
1PV	LIGHT GREEN M/T	6KK	ROCK(GRAY/BLACK/PINK)
15P	ST GERMAIN RED	6MA	LIGHT GRAY
2UN	5TP,064,0FC	799	PRIMARY
26U	SUPERIOR WHITE		
31R	SILVER		
38B	GRAY METALLIC		
39M	STARDUST SILVER METALLIC		
5EG	LIGHT GRAY		
5EH	LIGHT GRAY (CLIP)		

FIG. 1

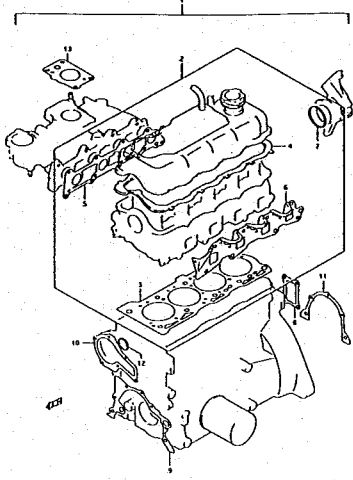


FIG. 2

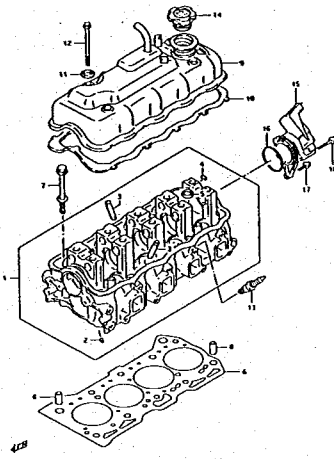


FIG. 3

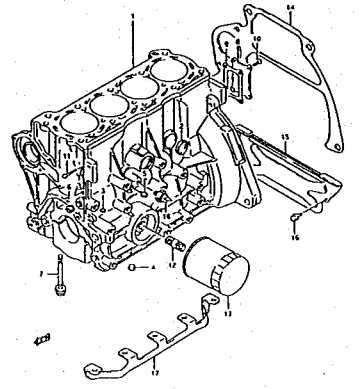


FIG. 4

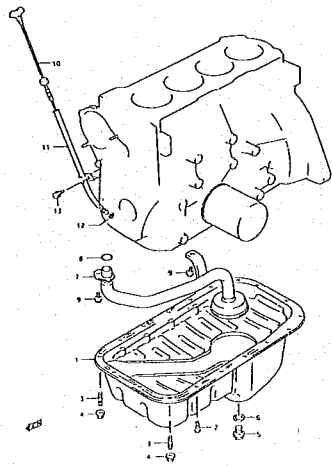


FIG. 5

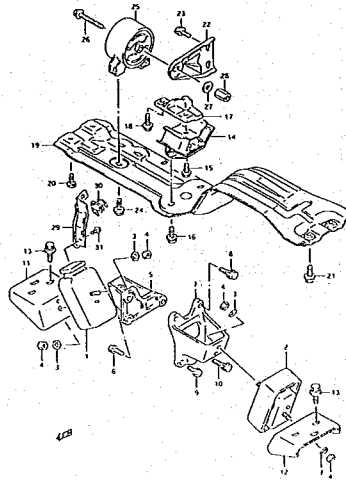


FIG. 6

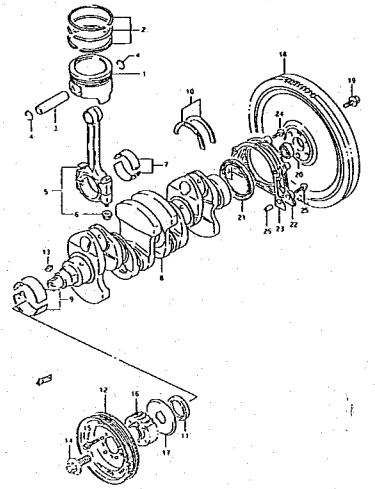


FIG. 7

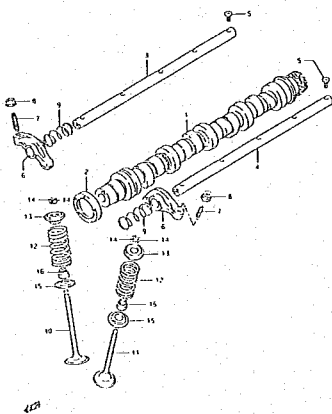


FIG. 8

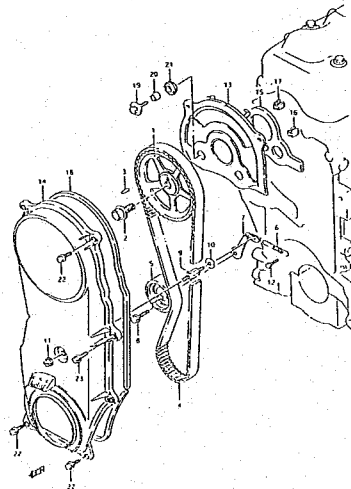


FIG. 9

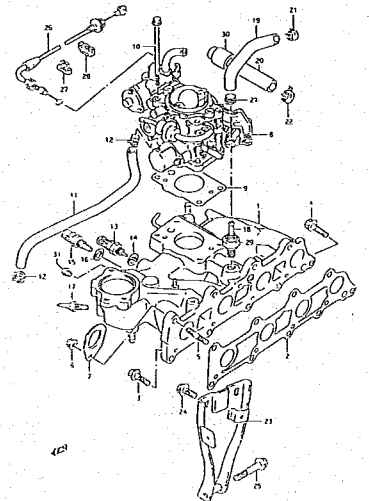


FIG. 10

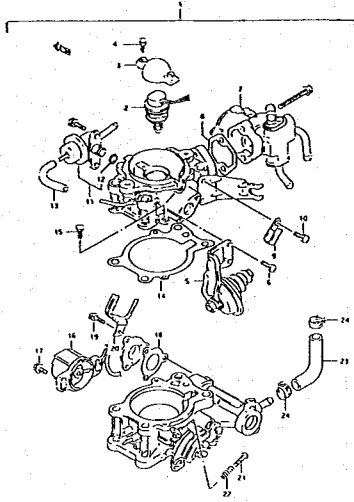


FIG. 11

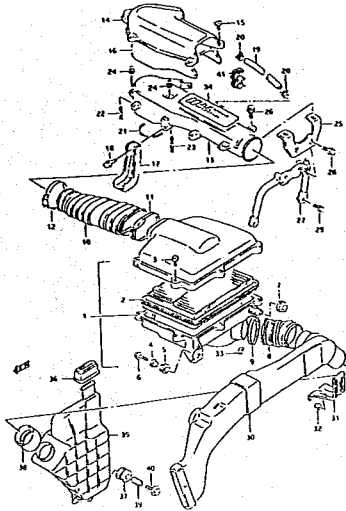


FIG. 12

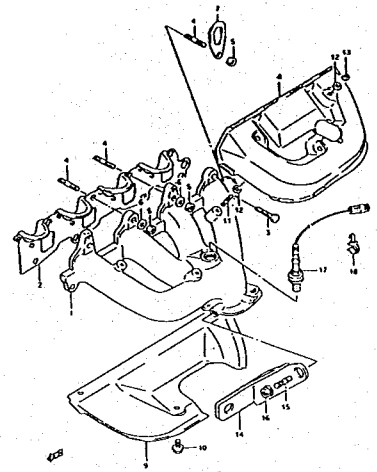


FIG. 13

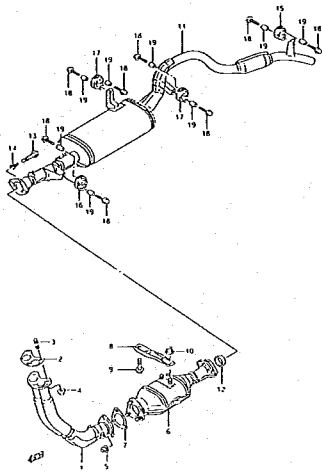


FIG. 14

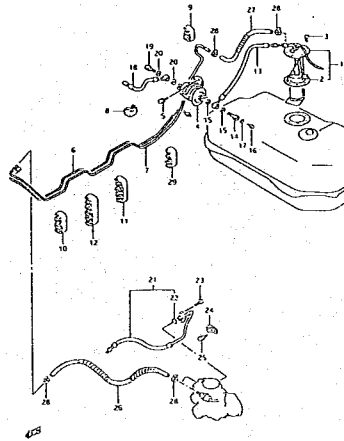


FIG. 15

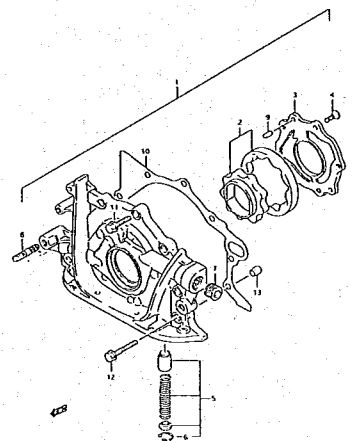


FIG. 16

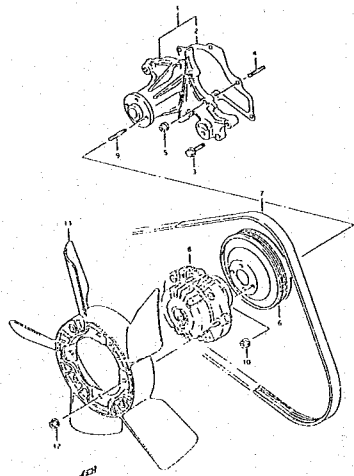


FIG. 17

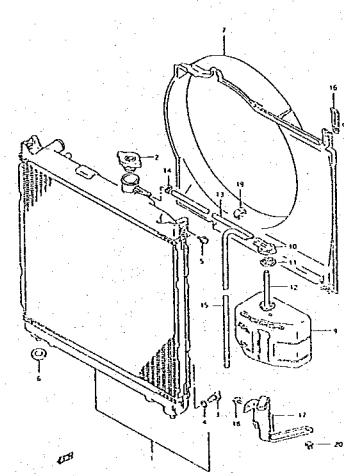


FIG. 18

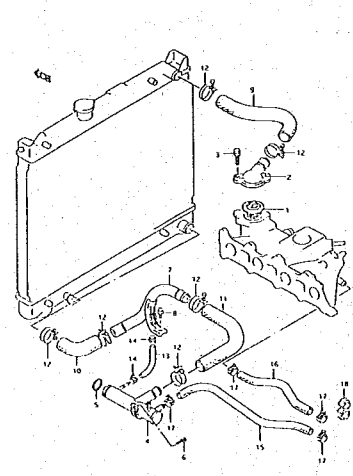


FIG. 19

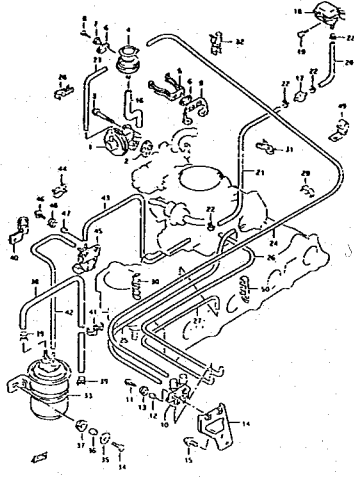


FIG. 20

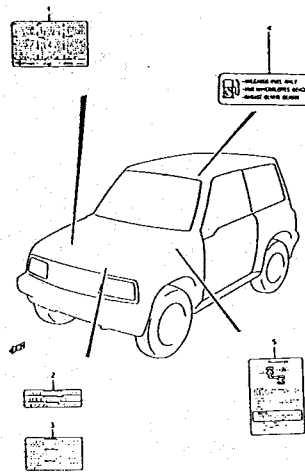


FIG. 21

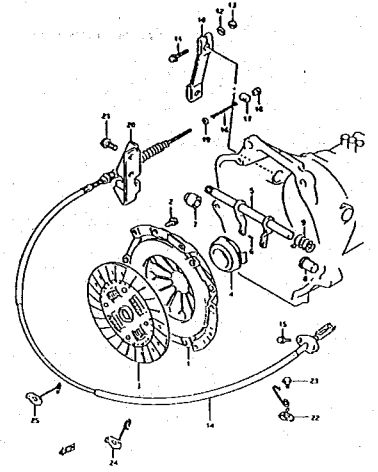


FIG. 22

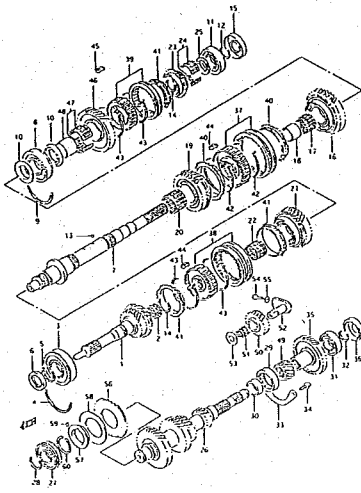


FIG. 23

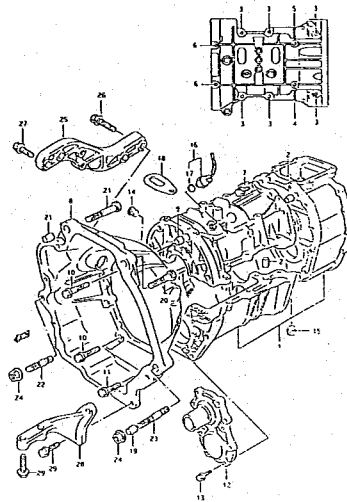


FIG. 24

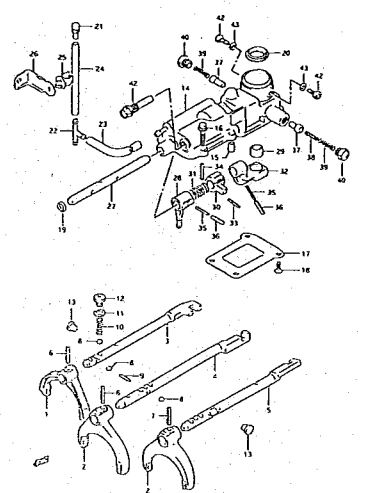


FIG. 25

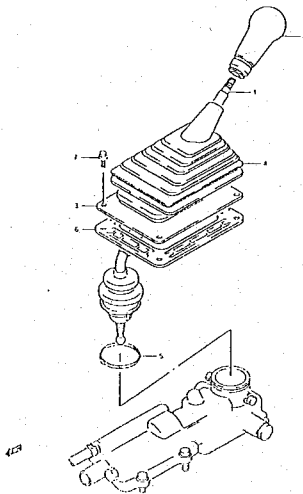


FIG. 26

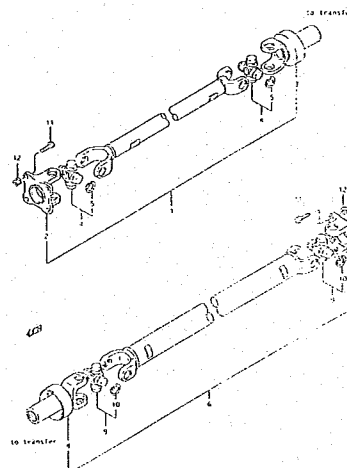


FIG. 27

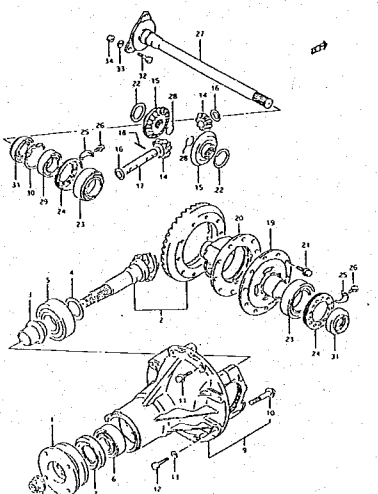


FIG. 28

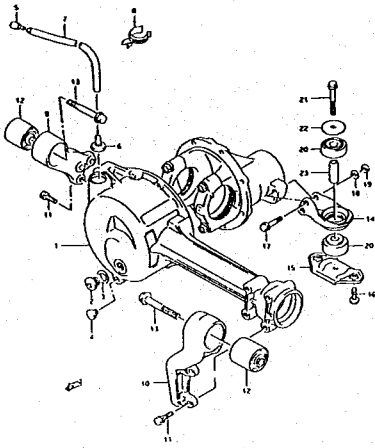


FIG. 29

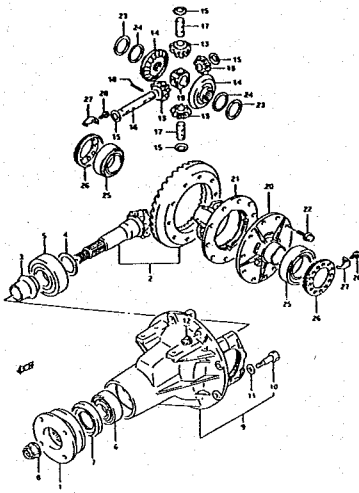


FIG. 30

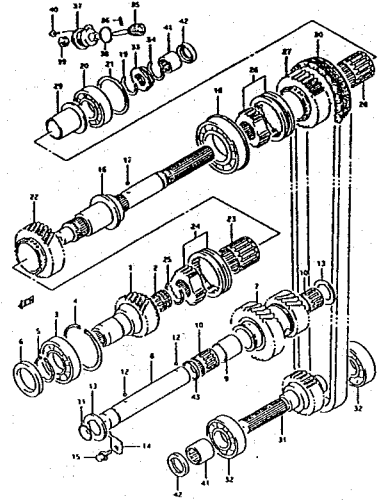


FIG. 31

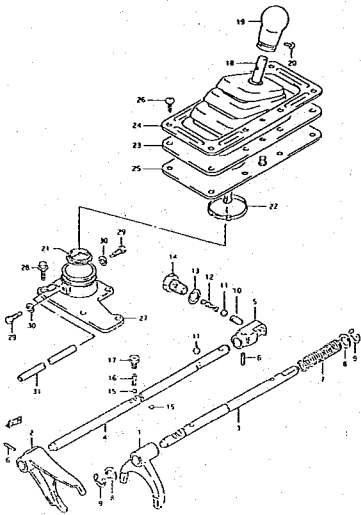


FIG. 32

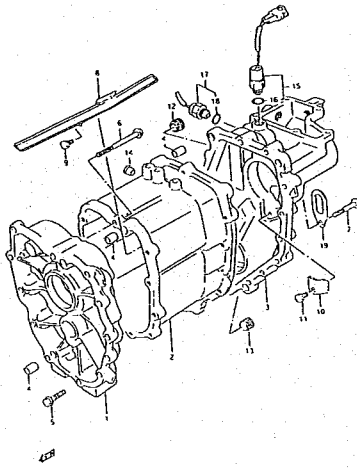


FIG. 33

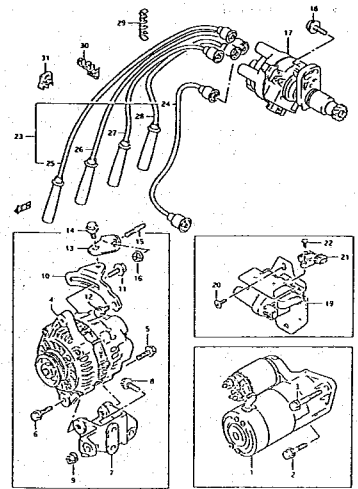


FIG. 34

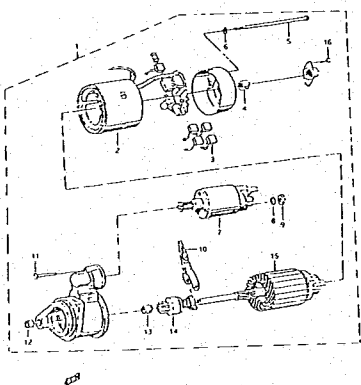


FIG. 35

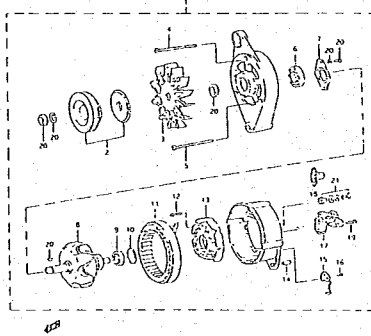


FIG. 36

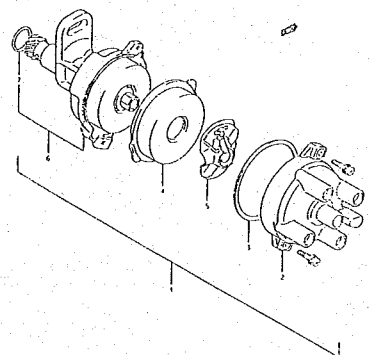


FIG. 37

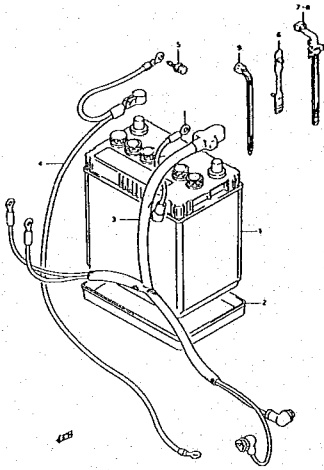


FIG. 38

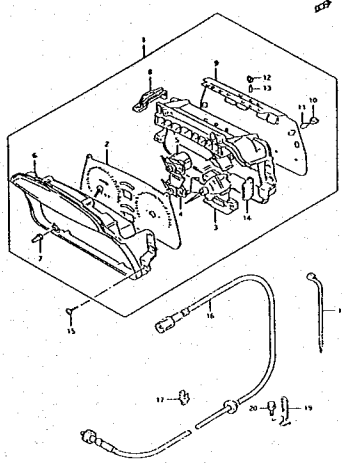


FIG. 39

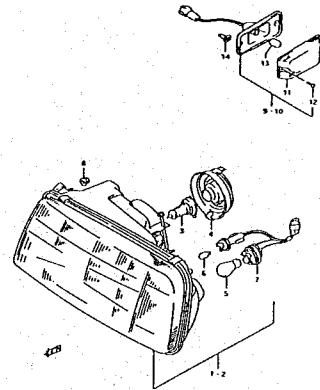


FIG. 40

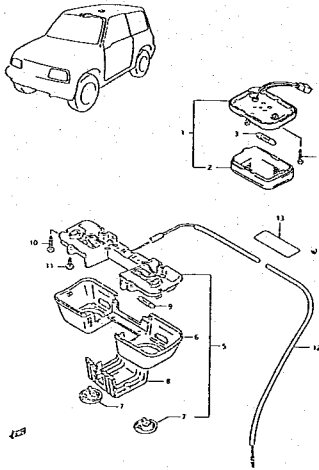


FIG. 41

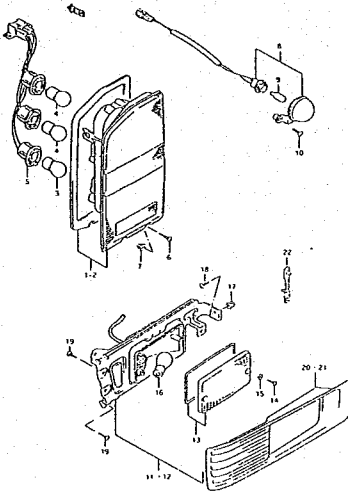


FIG. 42

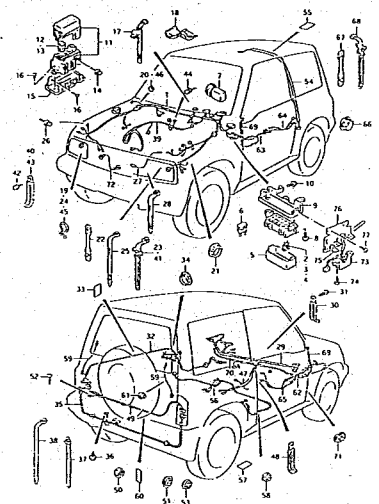


FIG. 43

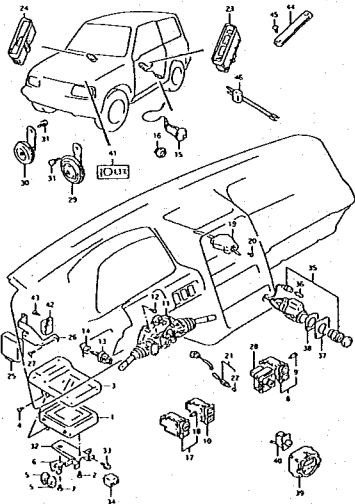


FIG. 44

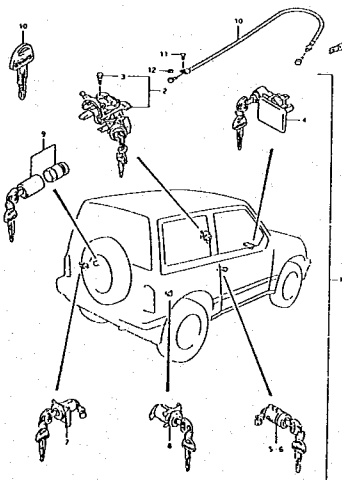


FIG. 45

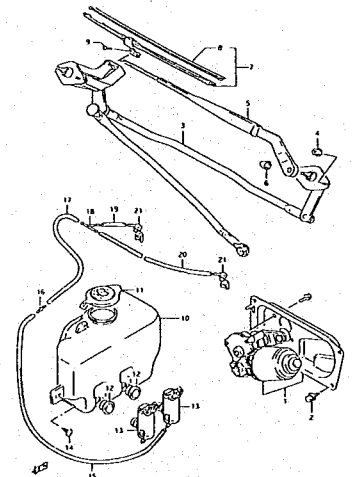


FIG. 46

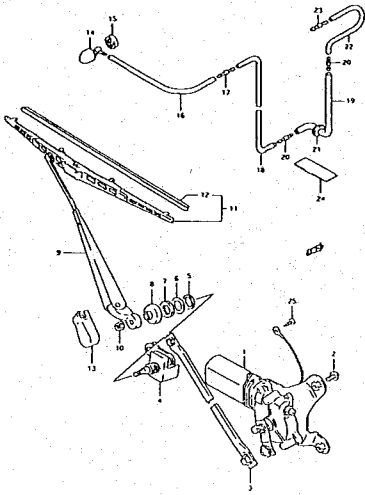


FIG. 47

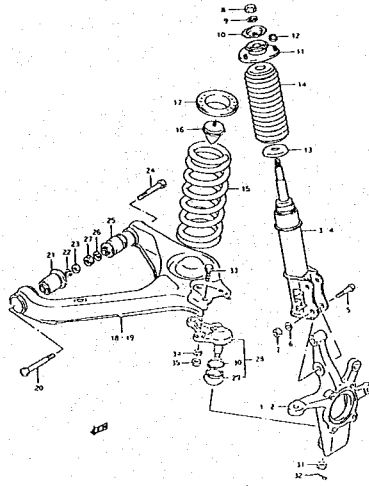


FIG. 48

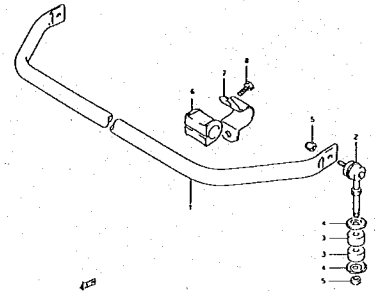


FIG. 49

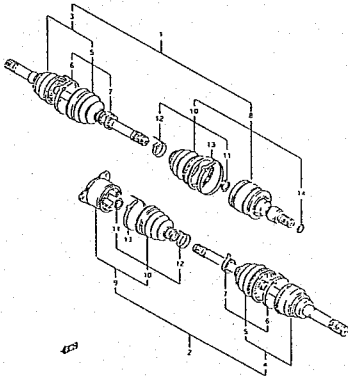


FIG. 50

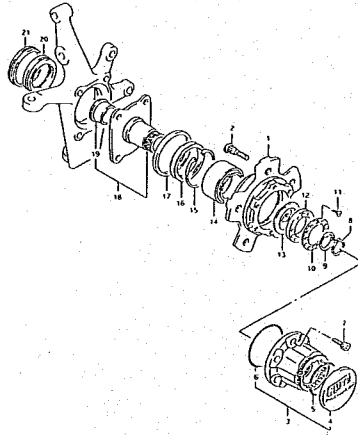


FIG. 51

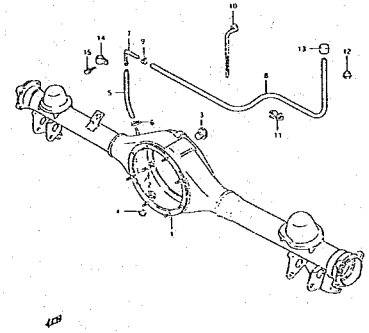


FIG. 52

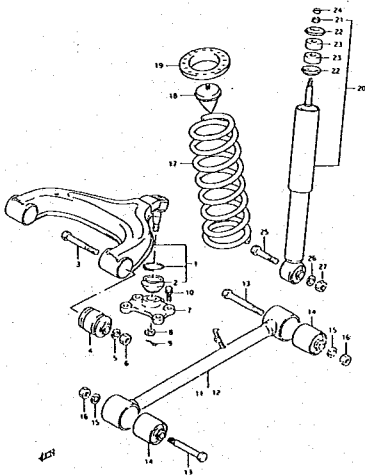


FIG. 53

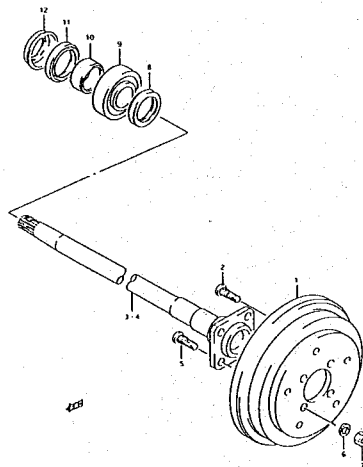


FIG. 54

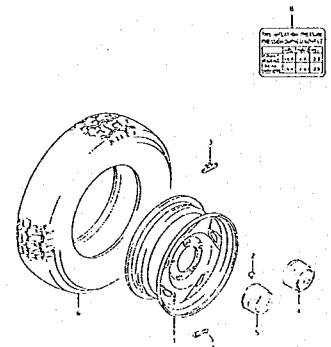


FIG. 55

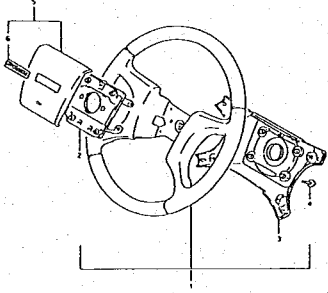


FIG. 56

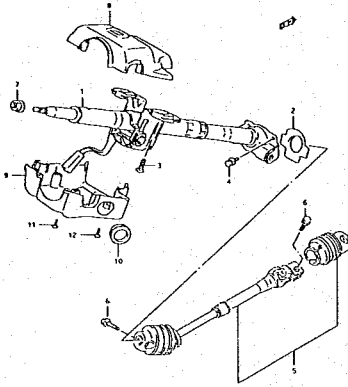


FIG. 57

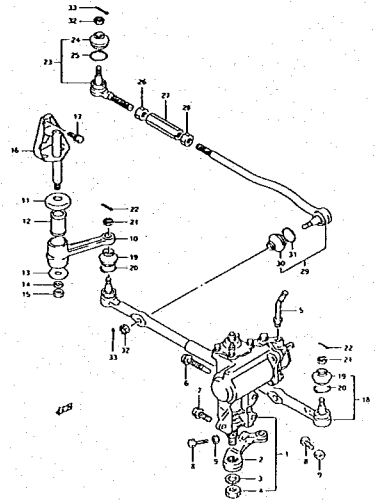


FIG. 58

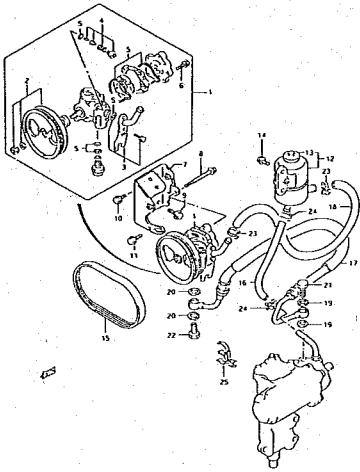


FIG. 59

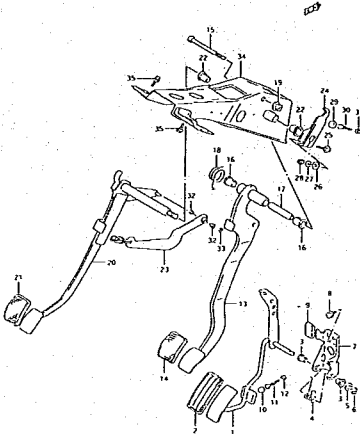


FIG. 60

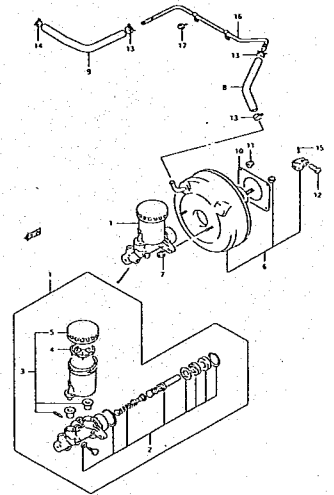


FIG. 61

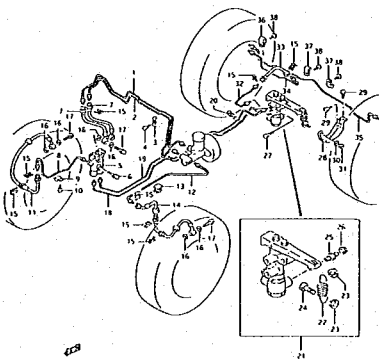


FIG. 62

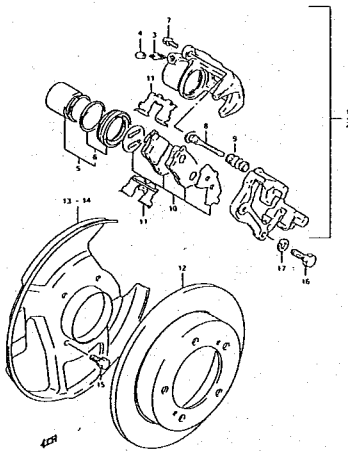


FIG. 63

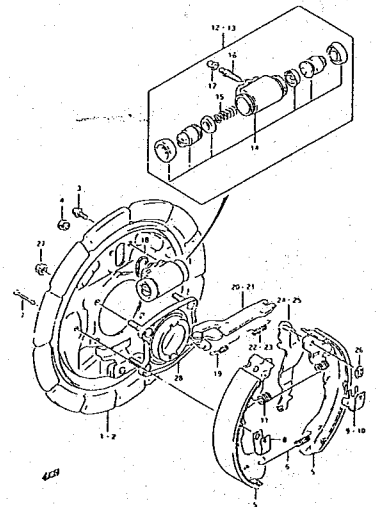


FIG. 64

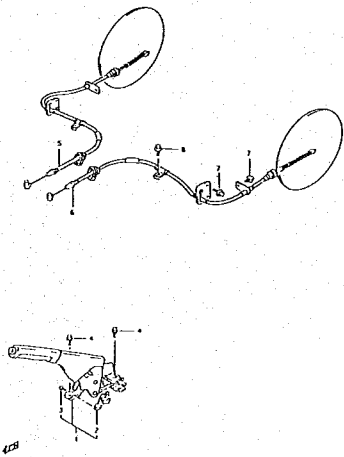


FIG. 65

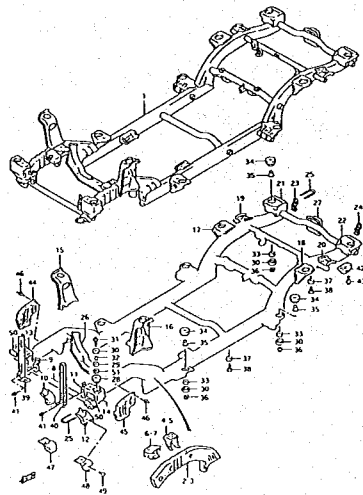


FIG. 66

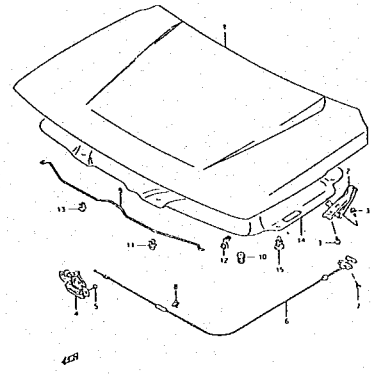


FIG. 67

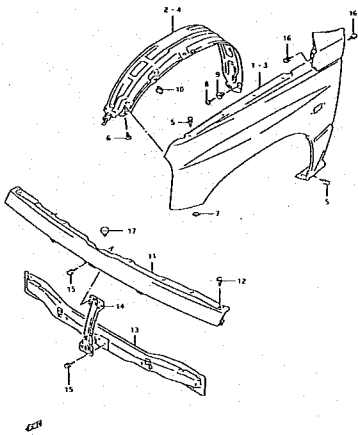


FIG. 68

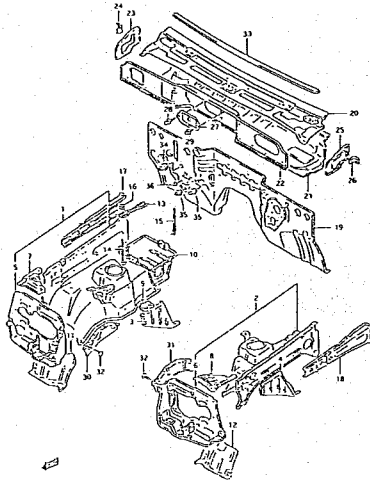


FIG. 69

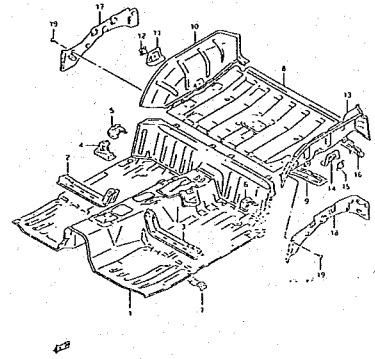


FIG. 70

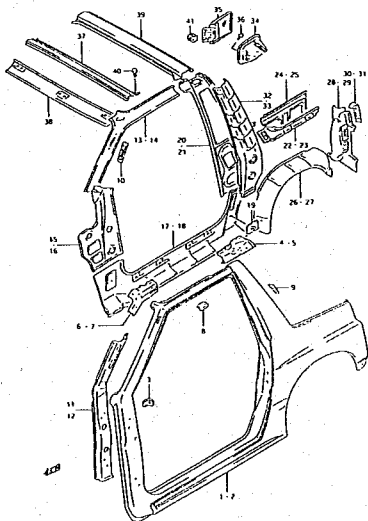


FIG. 71

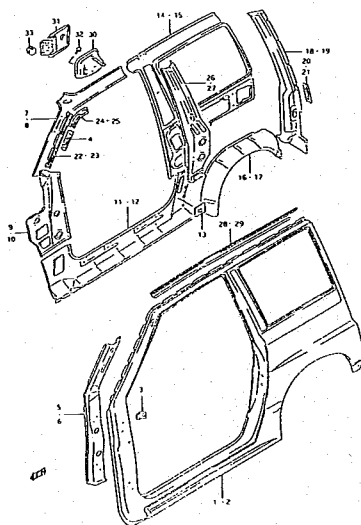


FIG. 72

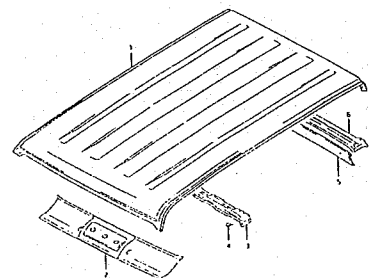


FIG. 73

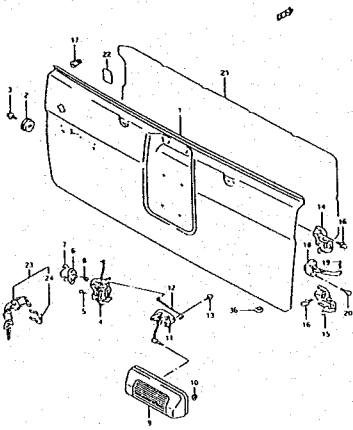


FIG. 74

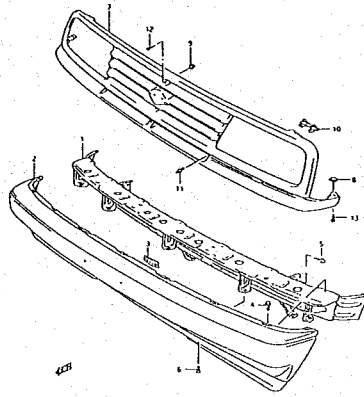


FIG. 75

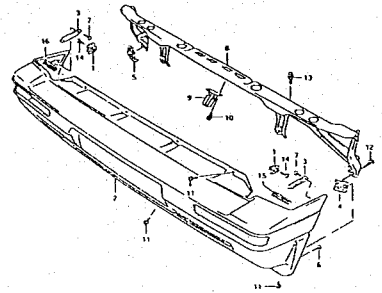


FIG. 76

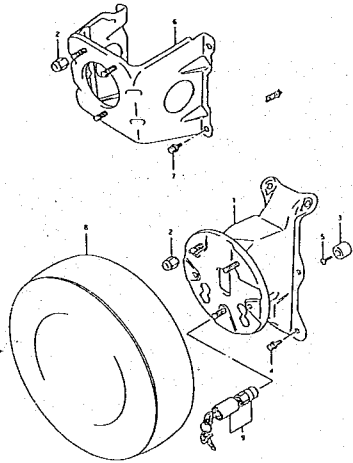


FIG. 77

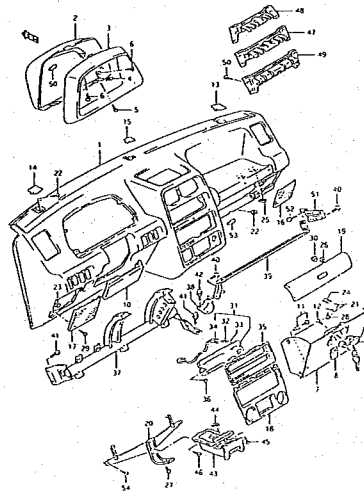


FIG. 78

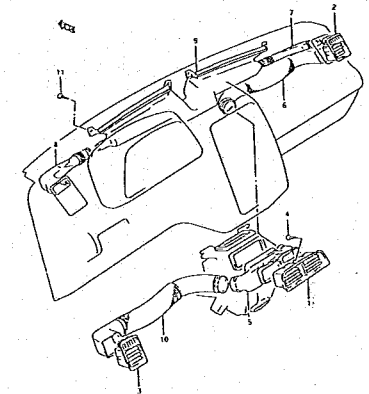


FIG. 79

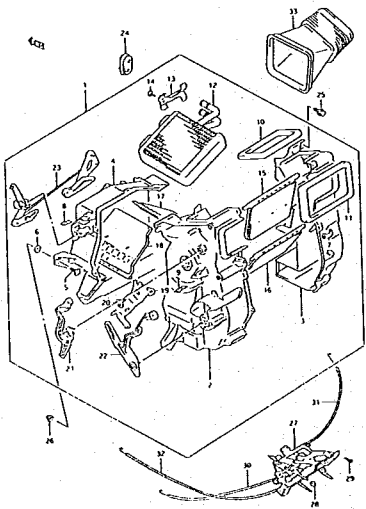


FIG. 80

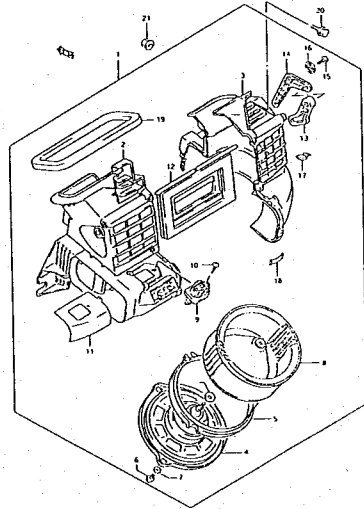


FIG. 81

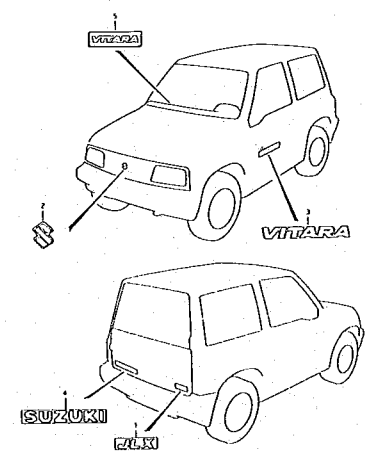


FIG. 82

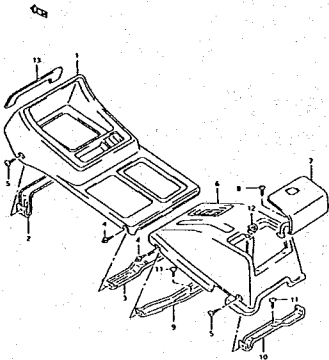


FIG. 83

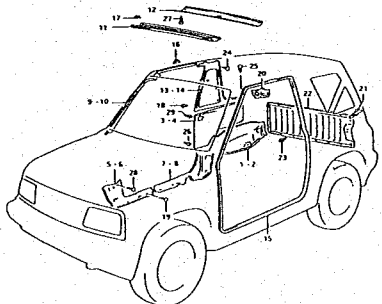


FIG. 84

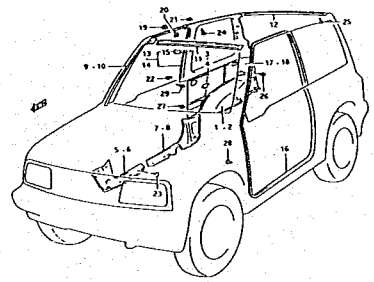


FIG. 85

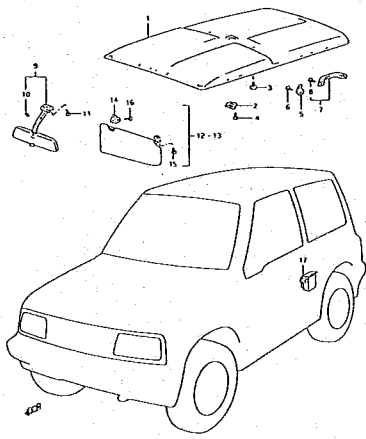


FIG. 86

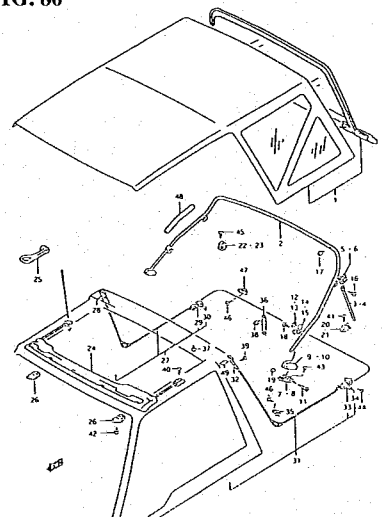


FIG. 87

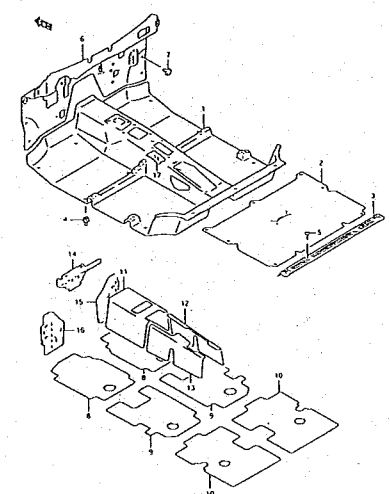


FIG. 88

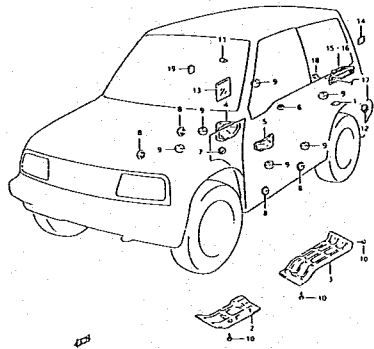


FIG. 89

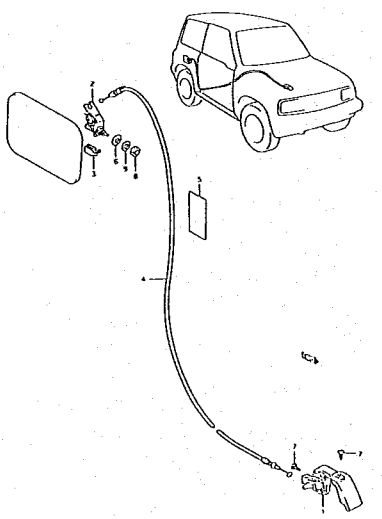


FIG. 90

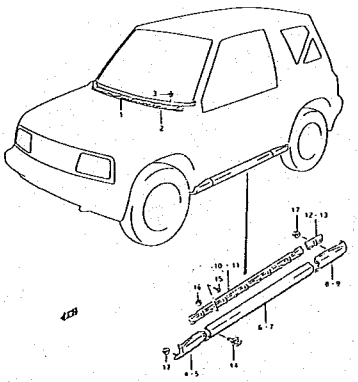


FIG. 91

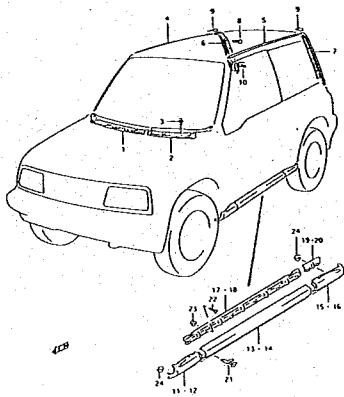


FIG. 92

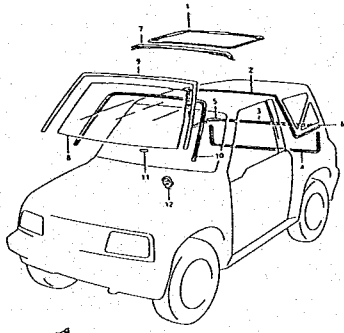


FIG. 93

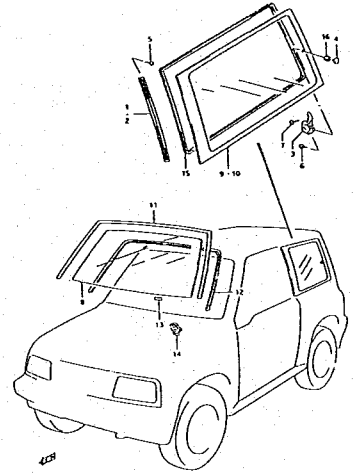


FIG. 94

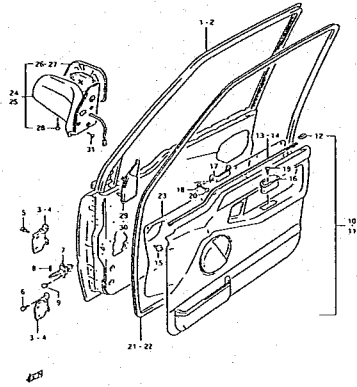


FIG. 95

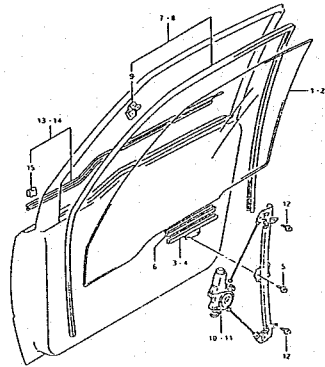


FIG. 96

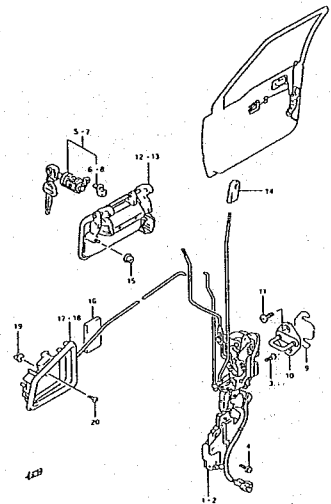


FIG. 97

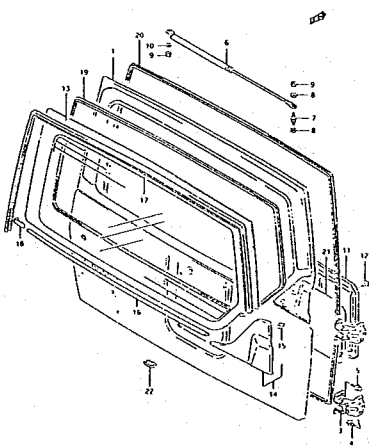


FIG. 98

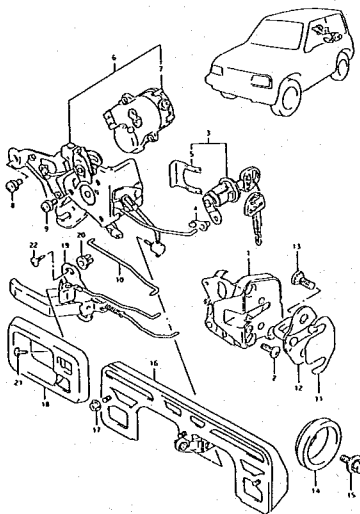


FIG. 99

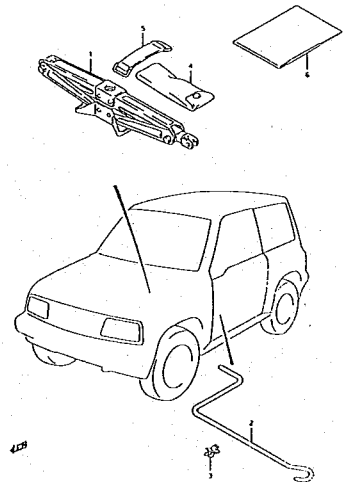


FIG. 100

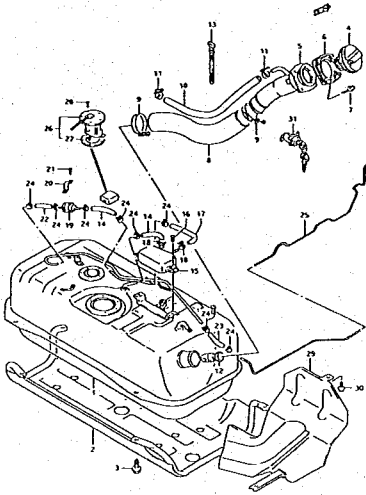


FIG. 101

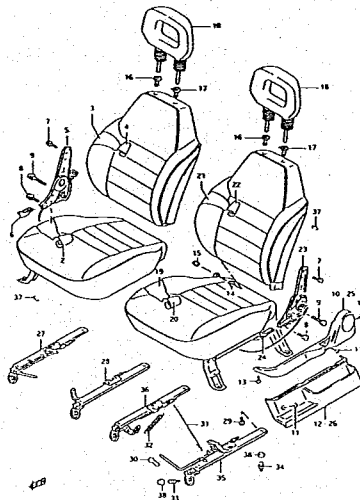


FIG. 102

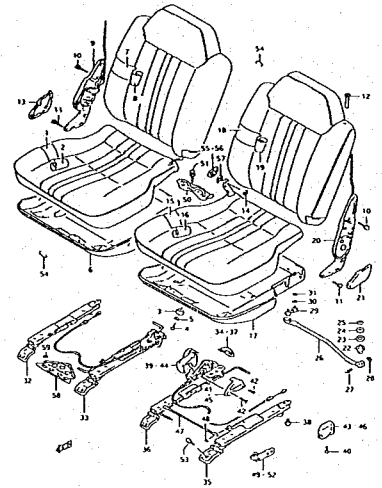


FIG. 103

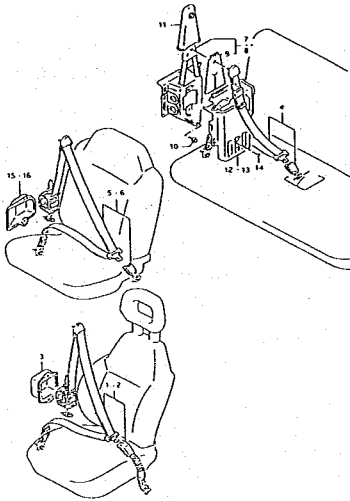


FIG. 104

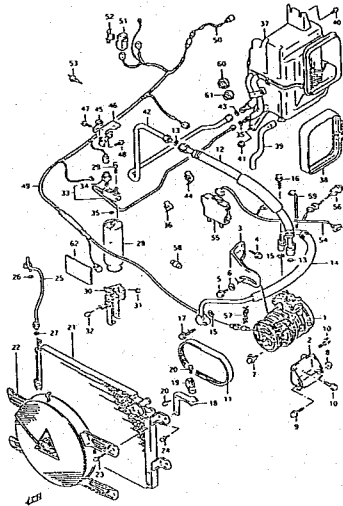


FIG. 105

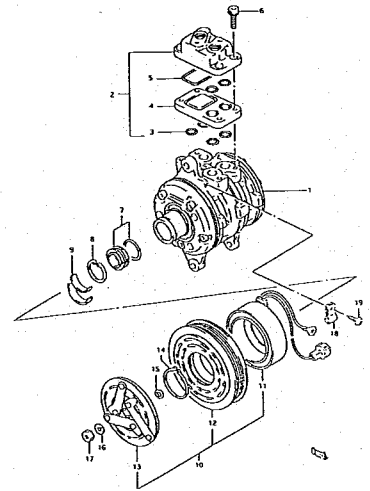


FIG. 106

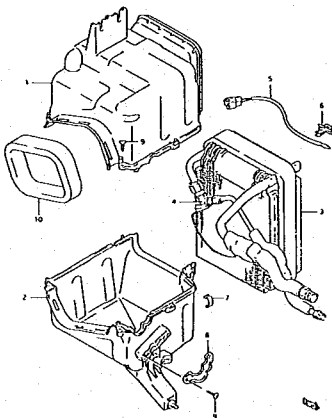


FIG. 1

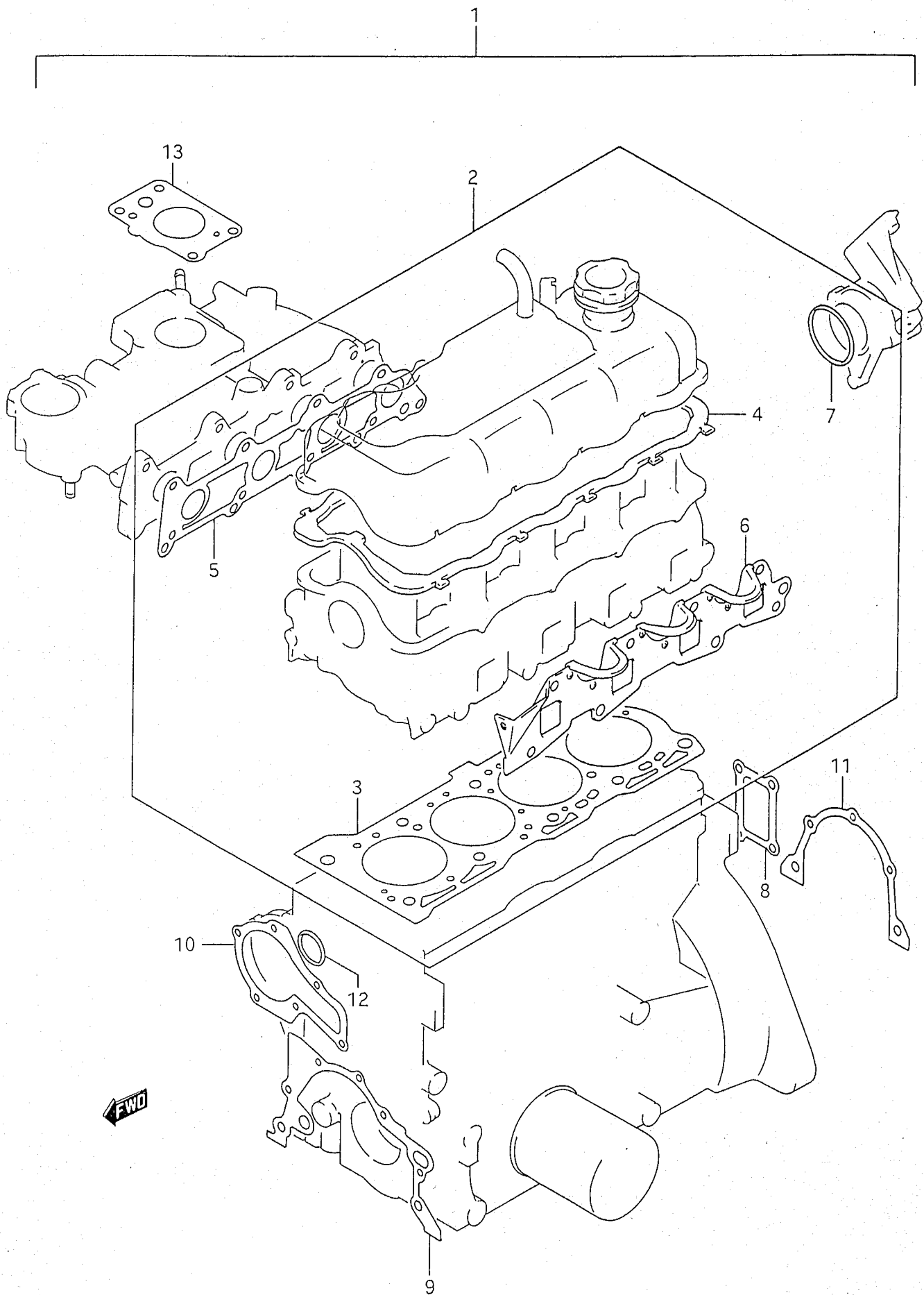
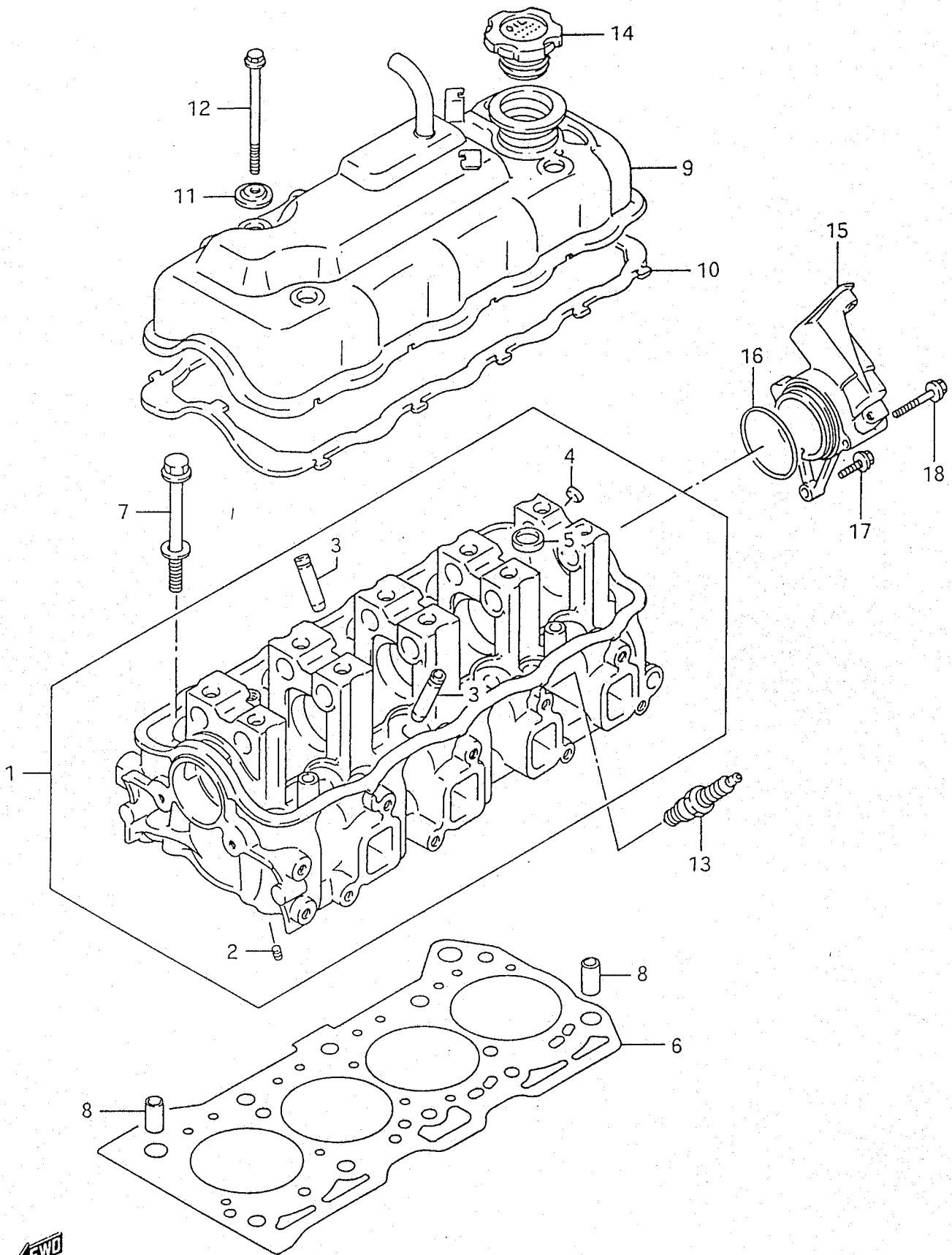


FIG.1 (B- 2) ENGINE GASKET SET

REF.NO.	PART NO.	DESCRIPTION	Q'TY		REMARKS
			C	V	
1	11402-85860	GASKET SET, engine	1	1	
2	11101-85810	.GASKET SET, cylinder head	1	1	
3	11141-71C00	..GASKET, cylinder head	1	1	
4	11189-85C00	..GASKET, cylinder head cover	1	1	
5	13119-85C00	..GASKET, intake manifold	1	1	
6	14140-85C00	..GASKET, exhaust manifold	1	1	
7	09280-56004	..O RING, distributor case	1	1	
8	11229-60A00	.GASKET, cylinder block plate	1	1	
9	16119-85C00	.GASKET, oil pump	1	1	
10	17431-85C00	.GASKET, water pump	1	1	
11	11349-85C00	.GASKET, oil seal housing	1	1	
12	09280-28008	.O RING, water inlet pipe	1	1	
13	13421-85C00	.GASKET, throttle body	1	1	

FIG. 2



FWO

FIG.2 (B- 3) CYLINDER HEAD

REF.NO.	PART NO.	DESCRIPTION	Q'TY		REMARKS
			C	V	
1	11110-61A00	HEAD, cylinder	1	1	
2	11112-73001	.PLUG, oil venture	1	1	
3	11115-82000-001	.GUIDE, valve	8	8	
4	09241-12002	.PLUG (OD:12,H:4)	1	1	
5	09241-20006	.PLUG (OD:20,H:6)	4	4	
6	11141-71C00	GASKET, cylinder head	1	1	
7	11119-85C00	BOLT, cylinder head	10	10	
8	09206-13001	PIN	2	2	
9	11170-61X50	COVER, cylinder head	1	1	
10	11189-85C00	GASKET, cylinder head cover	1	1	
11	11180-82010	WASHER, head cover seal	4	4	
12	01550-06803	BOLT	4	4	
13-1	09482-00155	PLUG, spark (NGK,BPR5ES)	4	4	
13-2	09482-00167	PLUG, spark (ND,W16EXR-U)	4	4	
14	16920-85C00	CAP, oil filler	1	1	
15	11161-60A00	CASE, distributor	1	1	
16	09280-56004	O RING, distributor case	1	1	
17	01550-06253	BOLT	2	2	
18	01550-06503	BOLT	1	1	

FIG. 3

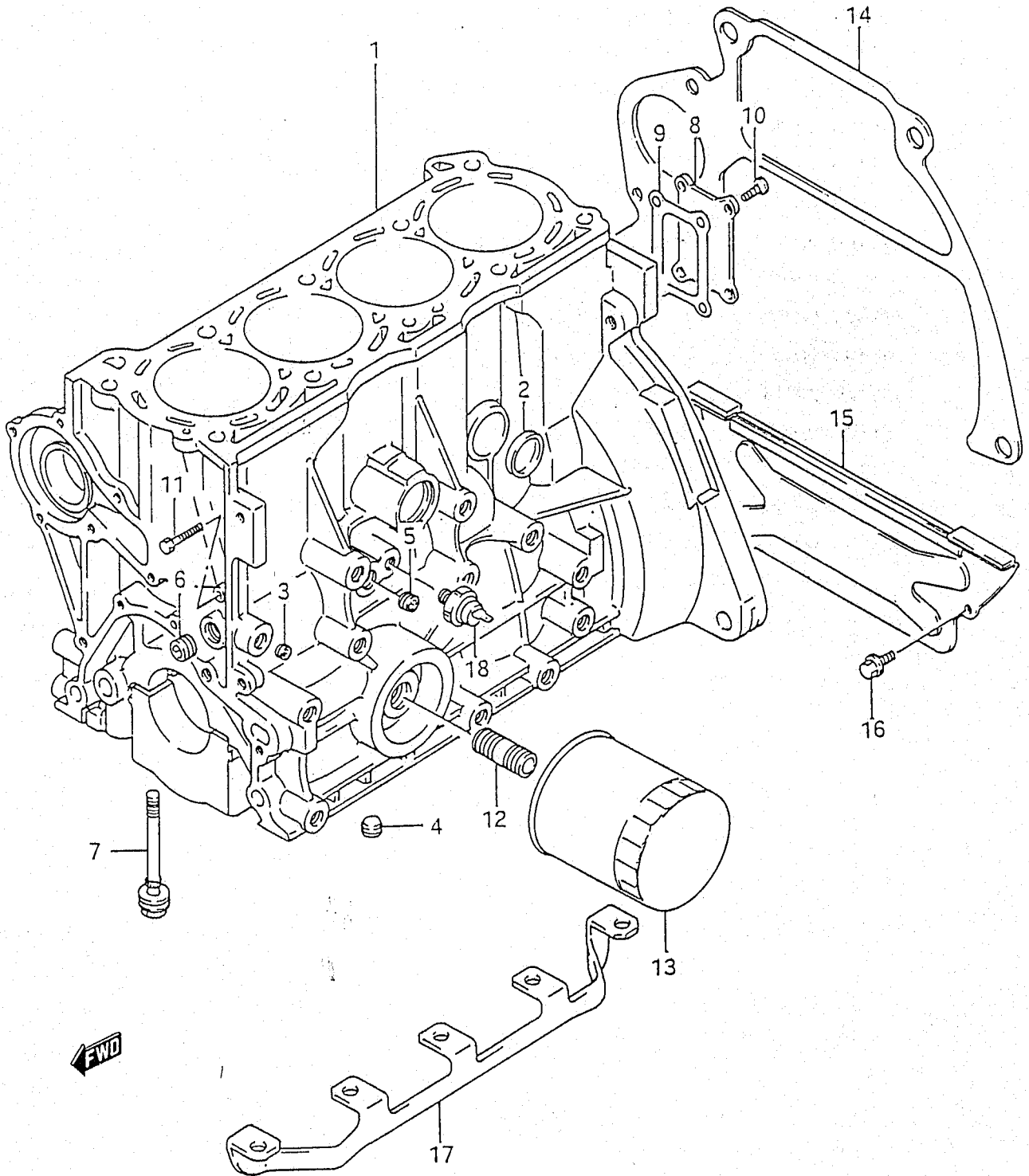


FIG.3 (B- 4) CYLINDER BLOCK

REF.NO.	PART NO.	DESCRIPTION	Q'TY		REMARKS
			C	V	
1	11200-60A01	BLOCK ASSY, cylinder	1	1	
2	09241-30009	.PLUG	4	4	
3	09246-05006	.PLUG, oil gallery	1	1	
4	09246-06001	.PLUG, oil gallery inner	1	1	
5	09246-06002	.PLUG, oil gallery outer	1	1	
6	09246-08002	.PLUG, oil gallery	2	2	
7	11260-60A00	.BOLT, crank bearing cap	10	10	
8	11221-60A00	.PLATE, cylinder block	1	1	
9	11229-60A00	.GASKET, cylinder block plate	1	1	
10	02122-06103	.SCREW	4	4	
11	01500-06253	.BOLT, tensioner spring	1	1	
12	11241-82010	STAND, oil filter	1	1	
13	16510-85C00	FILTER ASSY, oil	1	1	
14	11311-60A00	PLATE, clutch housing upper	1	1	
15	11320-57B00	PLATE, clutch housing lower	1	1	
16	01550-06103	BOLT	2	2	
17	11236-86503	STIFFENER, crank bearing cap	2	2	
18	37820-85C00	SWITCH ASSY, oil pressure	1	1	

FIG. 4

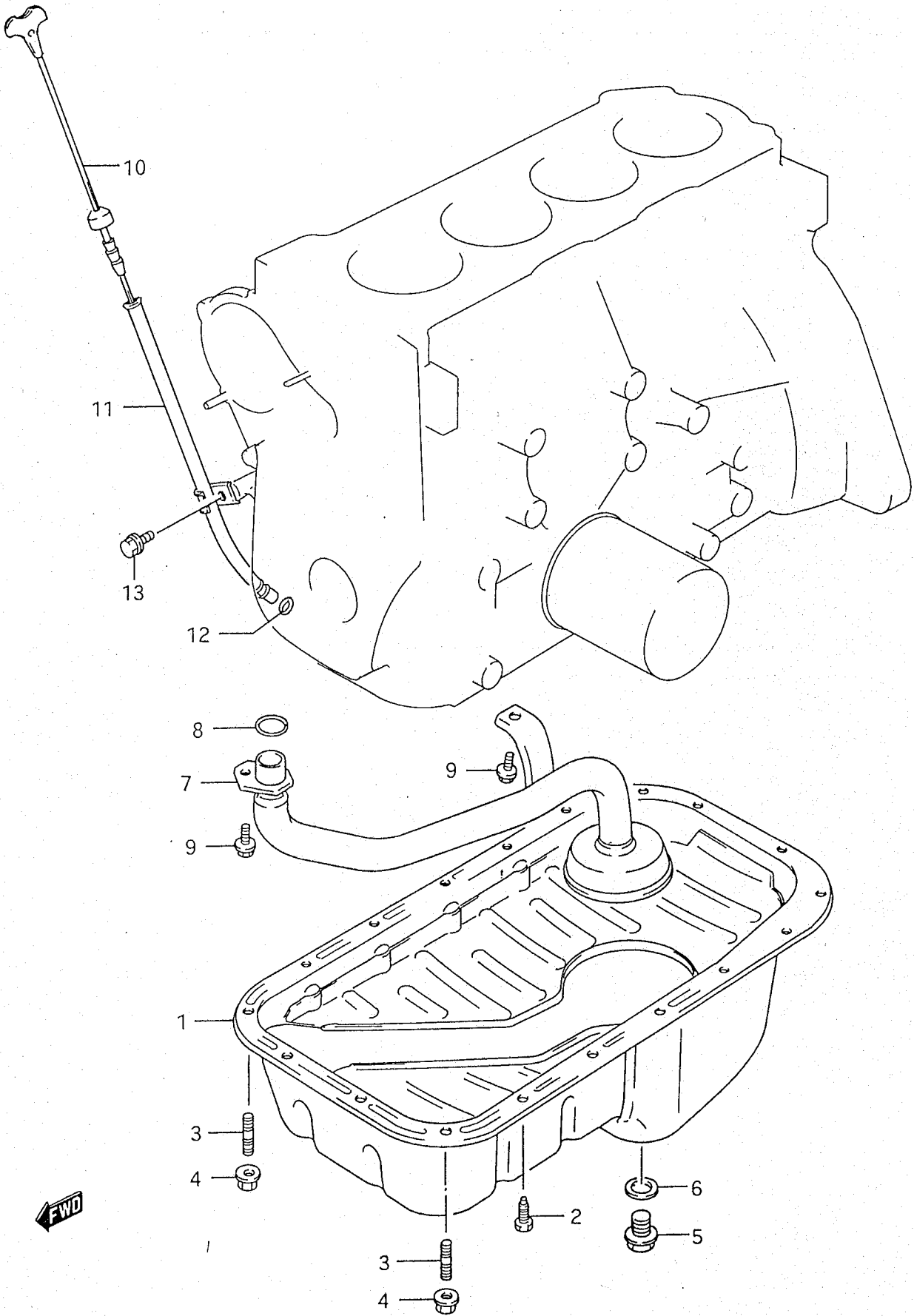


FIG.4 (B- 5) OIL PAN

REF.NO.	PART NO.	DESCRIPTION	Q'TY		REMARKS
			C	V	
1	11510-60A01	PAN, oil	1	1	
2	09117-06033	BOLT	16	16	
3	01411-06123	STUD BOLT	2	2	
4	08316-10063	NUT	2	2	
5	09247-14027	PLUG, oil drain	1	1	
6	09168-14012	GASKET, oil drain plug	1	1	
7	16520-60A00	STRAINER, oil pump	1	1	
8	09280-17005	O RING	1	1	
9	07120-06123	BOLT	2	2	
10	16910-85C00	GAUGE, oil level	1	1	
11	16930-82001	GUIDE, oil level gauge	1	1	
12	09280-10015	O RING	1	1	
13	01550-06103	BOLT	1	1	

FIG. 5

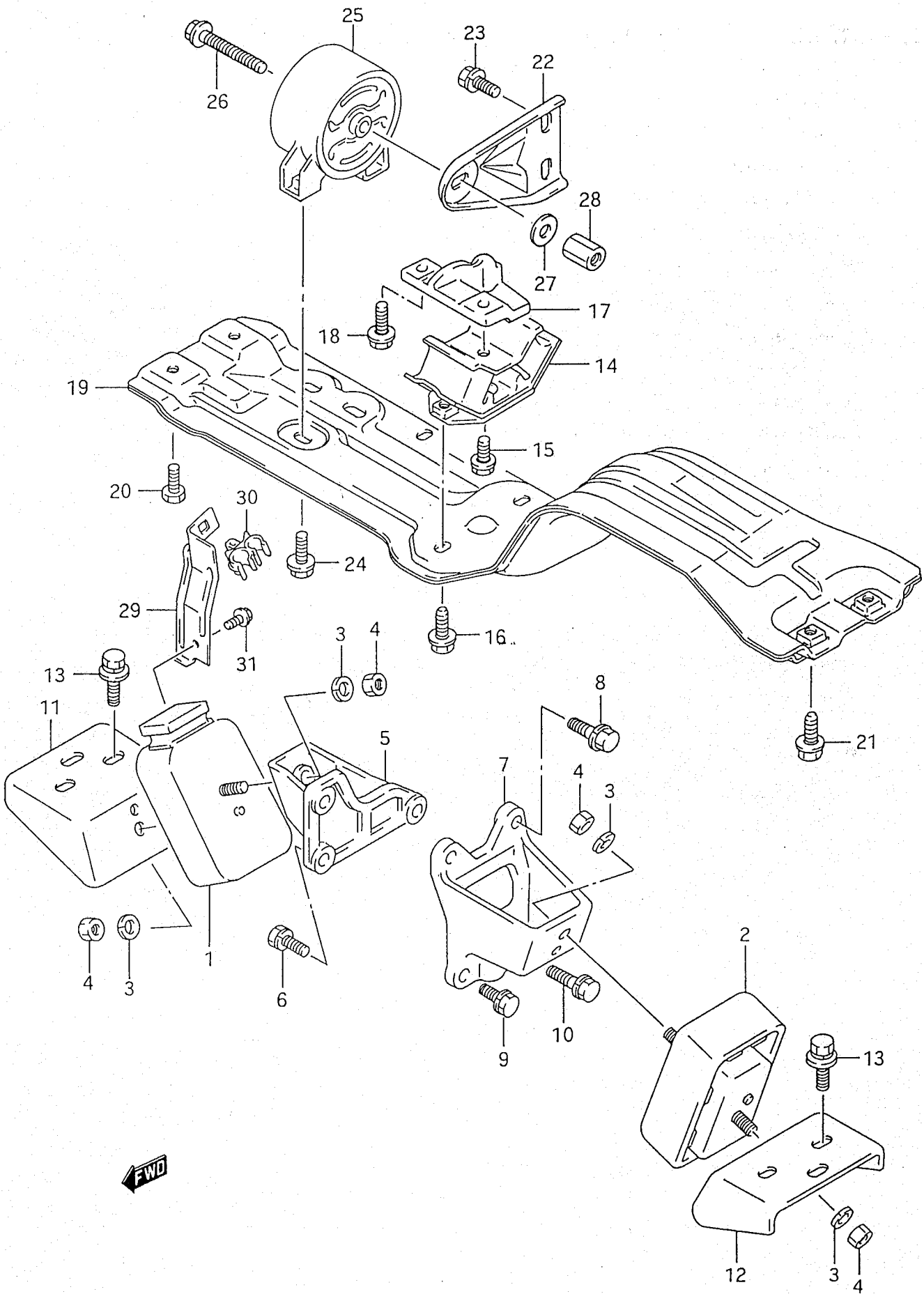


FIG.5 (B- 6) ENGINE MOUNTING

REF.NO.	PART NO.	DESCRIPTION	Q'TY		REMARKS
			C	V	
1	11610-56B01	MOUNTING, engine front RH	1	1	
2	11620-56B01	MOUNTING, engine front LH	1	1	
3	08321-01103	WASHER	4	4	
4	08310-00103	NUT	4	4	
5	11641-56B02	BRACKET, front mounting RH	1	1	
6	01570-10303	BOLT	3	3	
7	11651-57B00	BRACKET, front mounting LH	1	1	
8	01580-10353	BOLT	2	2	
9	01570-10303	BOLT	1	1	
10	01570-10403	BOLT	1	1	
11	11661-56B00	BRACKET, front mounting RH	1	1	
12	11661-57B00	BRACKET, front mounting LH	1	1	
13	09118-10052	BOLT (10x30)	6	6	
14	11710-85C00	MOUNTING, engine rear	1	1	
15	01580-10253	BOLT	1	1	
16	01580-10203	BOLT	2	2	
17	11741-60A01	BRACKET, rear mounting	1	1	
18	01580-10303	BOLT	2	2	
19	11730-60A10	MEMBER, rear mounting	1	1	
20	01500-10203	BOLT	2	2	
21	01580-10253	BOLT	2	2	
22	11755-60A01	BRACKET, torque stopper	1	1	
23	01580-10253	BOLT	2	2	
24	01580-10203	BOLT	3	3	
25	11910-85C00	BUSH, torque stopper (ASSY)	1	1	→ 11709-60A01
26	01580-10803	BOLT	1	1	
27	09160-10119	WASHER	1	1	
28	09140-10040	NUT, bush	1	1	
29	18568-56B00	BRACKET, canister hose clamp	1	1	
30	18119-85C30	CLAMP	1	1	
31	01550-06103	BOLT	1	1	

FIG. 6

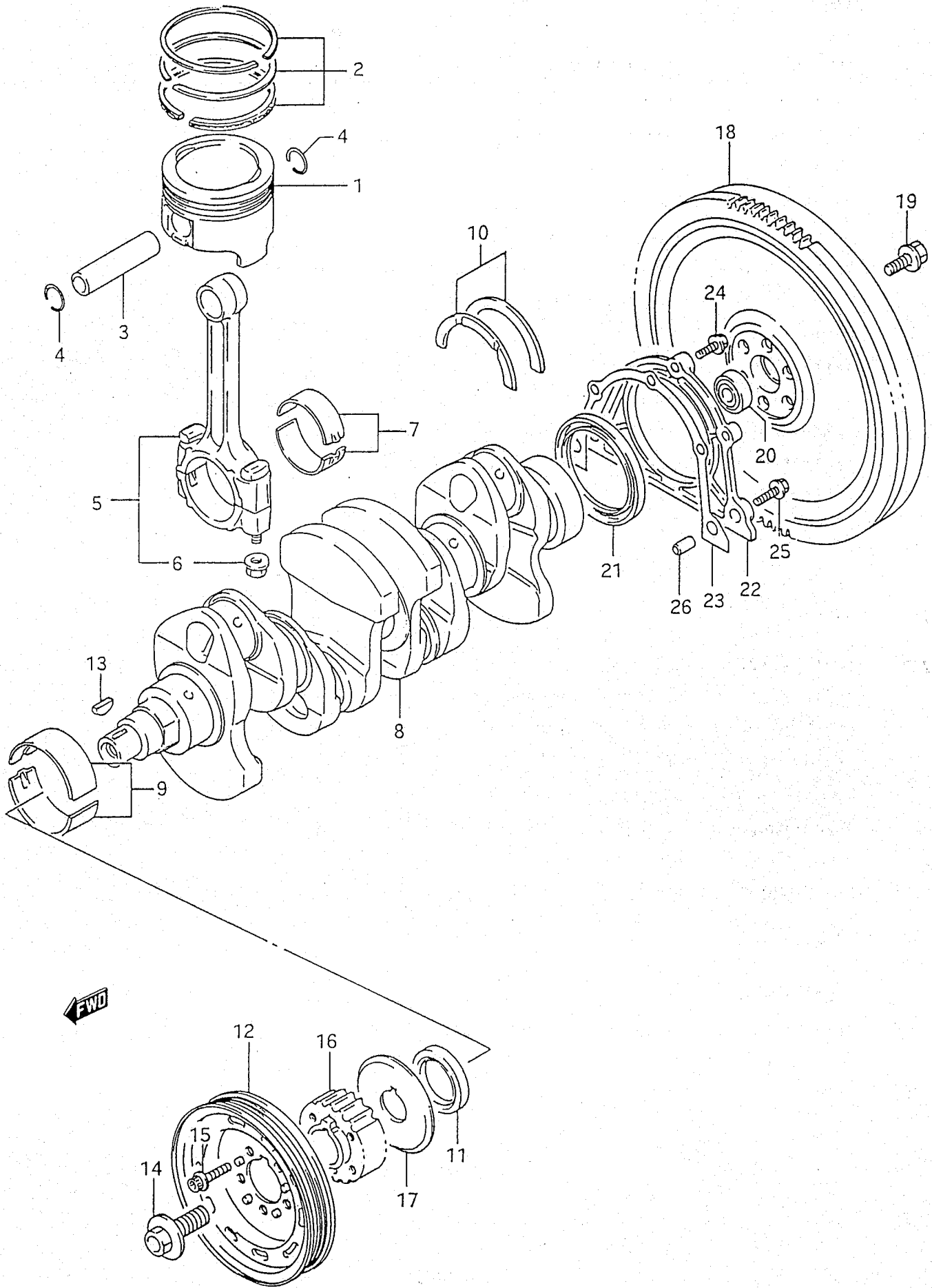


FIG. 6 (B- 7) CRANKSHAFT

REF.NO.	PART NO.	DESCRIPTION	Q'TY		REMARKS
			C	V	
1-1	12111-85C00-OAO	PISTON (STD, MARK 1)	4	4	
1-2	12111-85C00-OBO	PISTON (STD, MARK 2)	4	4	
1-3	12111-85C00-O25	PISTON (OS:0.25)	4	4	
1-4	12111-85C00-O50	PISTON (OS:0.5)	4	4	
2-1	12140-60A50	RING SET, piston (STD)	4	4	
2-2	12140-60A50-O25	RING SET, piston (OS:0.25)	4	4	
2-3	12140-60A50-O50	RING SET, piston (OS:0.5)	4	4	
3	12151-85C00	PIN, piston	4	4	
4	12153-85C00	CIRCLIP	8	8	
5	12160-71C00	CONNROD ASSY	4	4	
6	09159-08033	.NUT	8	8	
7-1	12100-85810-OAO	BEARING SET, connrod (STD, T:1.5)	4	4	
7-2	12100-85810-O25	BEARING SET, connrod (US:0.25, T:1.625)	4	4	
8	12221-71C00	CRANKSHAFT	1	1	
9-1	12340-85C00-OAO	BEARING SET, crankshaft (STD, T:2, green)	5	5	
9-2	12340-85C00-OBO	BEARING SET, crankshaft (STD, T:2, black)	5	5	
9-3	12340-85C00-OCO	BEARING SET, crankshaft (STD, T:2, non)	5	5	
9-4	12340-85C00-ODO	BEARING SET, crankshaft (STD, T:2, yellow)	5	5	
9-5	12340-85C00-OEO	BEARING SET, crankshaft (STD, T:2, blue)	5	5	
9-6	12300-85820-OAA	BEARING SET, crankshaft (US:0.25, T:2.125, red/green)	5	5	
9-7	12300-85820-OBA	BEARING SET, crankshaft (US:0.25, T:2.125, red/black)	5	5	
9-8	12300-85820-OCA	BEARING SET, crankshaft (US:0.25, T:2.125, red/non)	5	5	
9-9	12300-85820-ODA	BEARING SET, crankshaft (US:0.25, T:2.125, red/yellow)	5	5	
9-10	12300-85820-OEA	BEARING SET, crankshaft (US:0.25, T:2.125, red/blue)	5	5	
10-1	12300-85810	BEARING SET, crank thrust (STD, T:2.5)	1	1	
10-2	12300-85810-O12	BEARING SET, crank thrust (OS:0.125, T:2.563)	1	1	
11	09283-32038	SEAL, front oil (32x47x6)	1	1	

FIG. 6

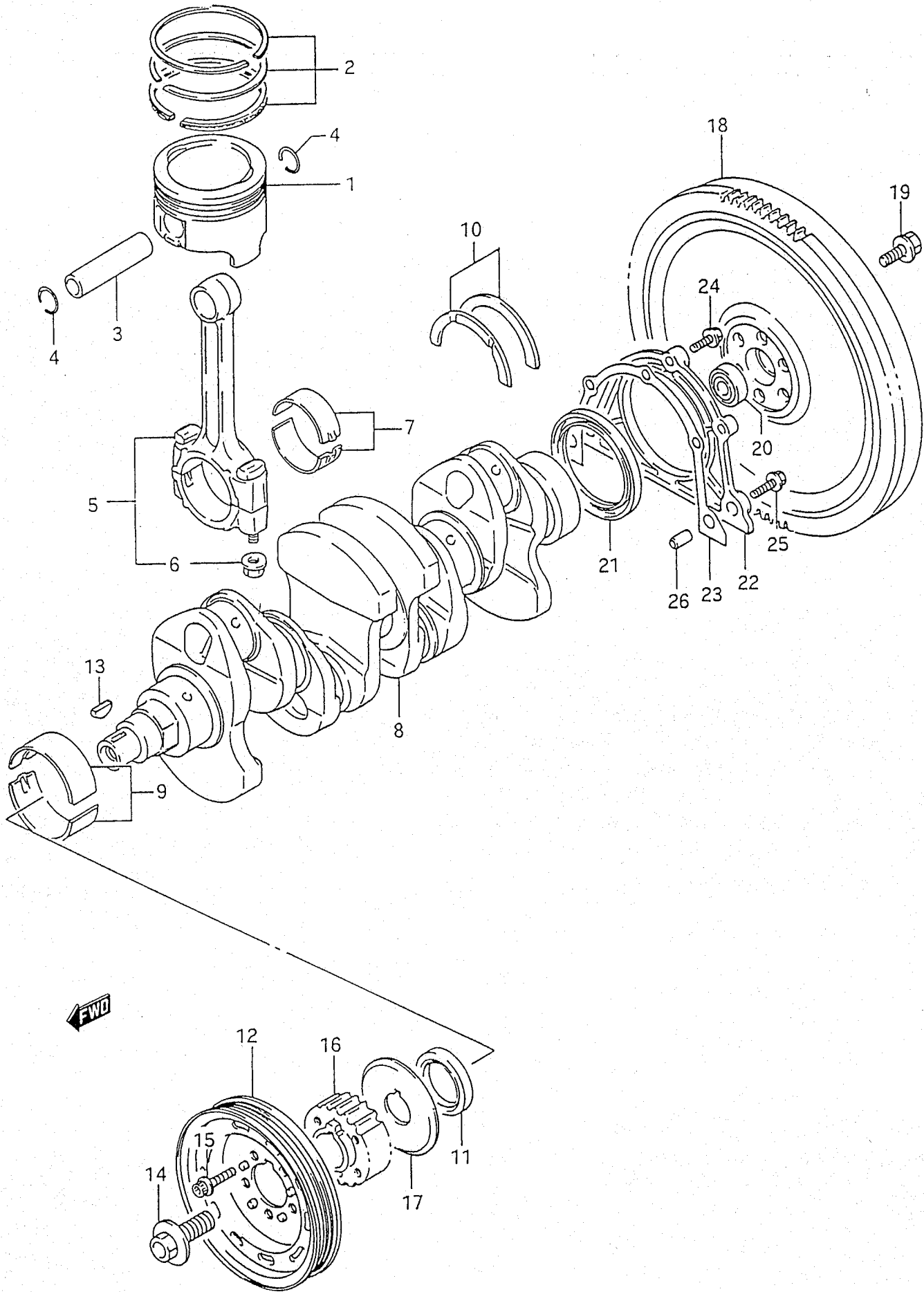
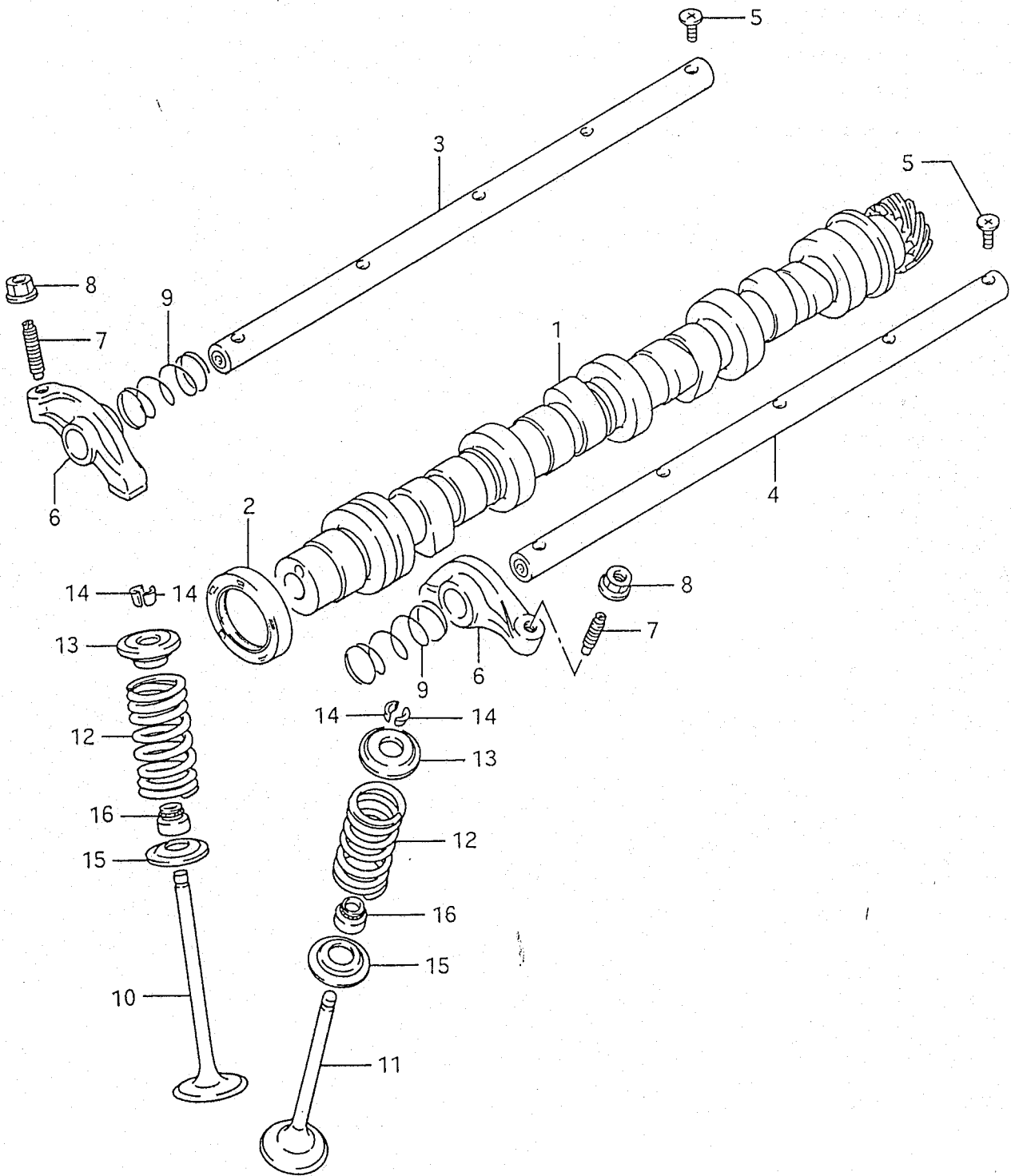


FIG.6 (B- 8) CRANKSHAFT

REF.NO.	PART NO.	DESCRIPTION	Q'TY		REMARKS
			C	V	
12	12610-71C10	PULLEY, crankshaft	1	1	
13	08341-31059	KEY	1	1	
14	12619-85C00	BOLT	1	1	
15	12618-71C00	BOLT	5	5	
16	12631-86500	PULLEY, crank timing belt	1	1	
17	12635-78401	GUIDE, timing belt	1	1	
18	12620-85C00	FLYWHEEL	1	1	
19	09103-10200	BOLT	6	6	
20	12623-85C00	BEARING, input shaft	1	1	
21	09283-68002	SEAL, rear oil (68x86x8)	1	1	
22	11341-82000	HOUSING, oil seal	1	1	
23	11349-85C00	GASKET, oil seal housing	1	1	
24	01550-06203	BOLT	3	3	
25	01550-06253	BOLT	2	2	
26	04211-09109	PIN	2	2	

FIG. 7



← FWD

FIG.7 (B- 9) CAM SHAFT

REF.NO.	PART NO.	DESCRIPTION	Q'TY		REMARKS
			C	V	
1	12710-56B00	CAMSHAFT	1	1	
2	09283-32038	SEAL, camshaft oil (32x47x6)	1	1	
3	12860-85C00	SHAFT, intake rocker arm	1	1	
4	12870-85C00	SHAFT, exhaust rocker arm	1	1	
5	02122-06123	SCREW	10	10	
6	12841-60A01	ARM, valve rocker	8	8	
7	12848-85C00	SCREW, valve adjusting	8	8	
8	12849-85C00	NUT	8	8	
9	12891-82001	SPRING, rocker arm	8	8	
10	12911-85C00	VALVE, intake	4	4	
11	12915-85C00	VALVE, exhaust	4	4	
12	12921-85C00	SPRING, valve	8	8	
13	12931-85C00	RETAINER, valve spring	8	8	
14	12932-82000	COTTER, valve	16	16	
15	12933-73000	SEAT, valve spring	8	8	
16	12934-85C00	SEAL, valve stem	8	8	

FIG. 8

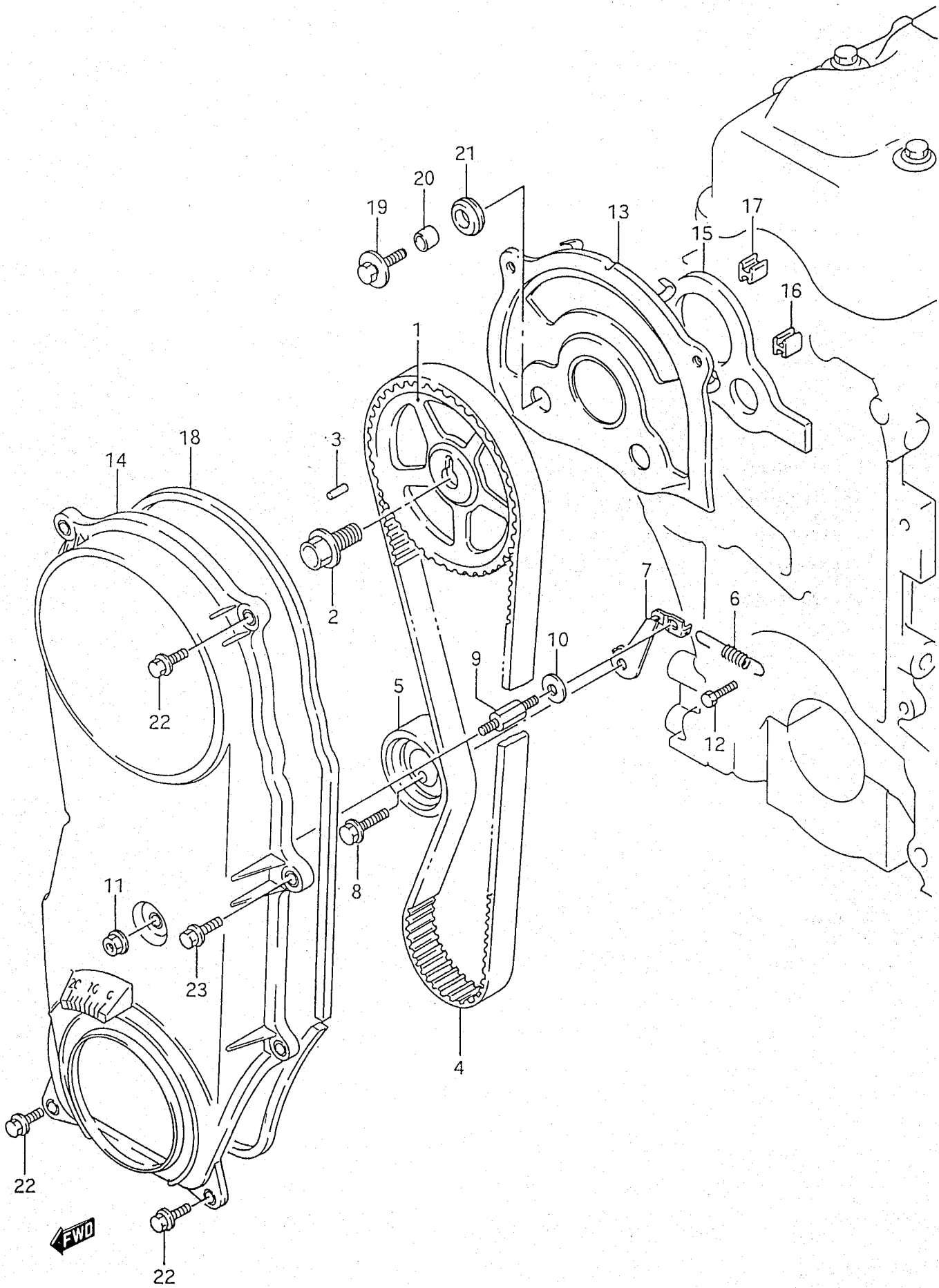


FIG.8 (B-10) TIMING BELT

REF.NO.	PART NO.	DESCRIPTION	Q'TY		REMARKS
			C	V	
1	12741-60A01	GEAR, camshaft timing	1	1	
2	01550-12253	BOLT	1	1	
3	04221-05109	PIN	1	1	
4	12761-85C00	BELT, timing	1	1	
5	12810-82003	TENSIONER ASSY, timing belt	1	1	
6	12821-60A01	SPRING, tensioner	1	1	
7	12830-60A00	PLATE, tensioner	1	1	
8	01550-08353	BOLT	1	1	
9	09108-06056	STUD BOLT	1	1	
10	09160-06057	WASHER (6.5x18x1.6)	1	1	
11	08316-10063	NUT	1	1	
12	01500-06253	BOLT, tensioner spring	1	1	
13	11360-82001	COVER, timing belt inside	1	1	
14	11390-60A11	COVER, timing belt outside	1	1	
15	11383-82000	SEAL, inside cover	1	1	
16	11394-70B00	SEAL, water pump & oil pump	1	1	L:28→18.5
17	11394-70B00	SEAL, water pump & head	1	1	L:28→12.5
18	11396-60B00	SEAL, outside cover	1	1	
19	09116-06056	BOLT (6x20)	2	2	
20	09180-06106	SPACER (6.8x10x7)	2	2	
21	09308-10004	GROMMET	2	2	
22	01550-06163	BOLT	4	4	
23	01550-06203	BOLT	4	4	

FIG. 9

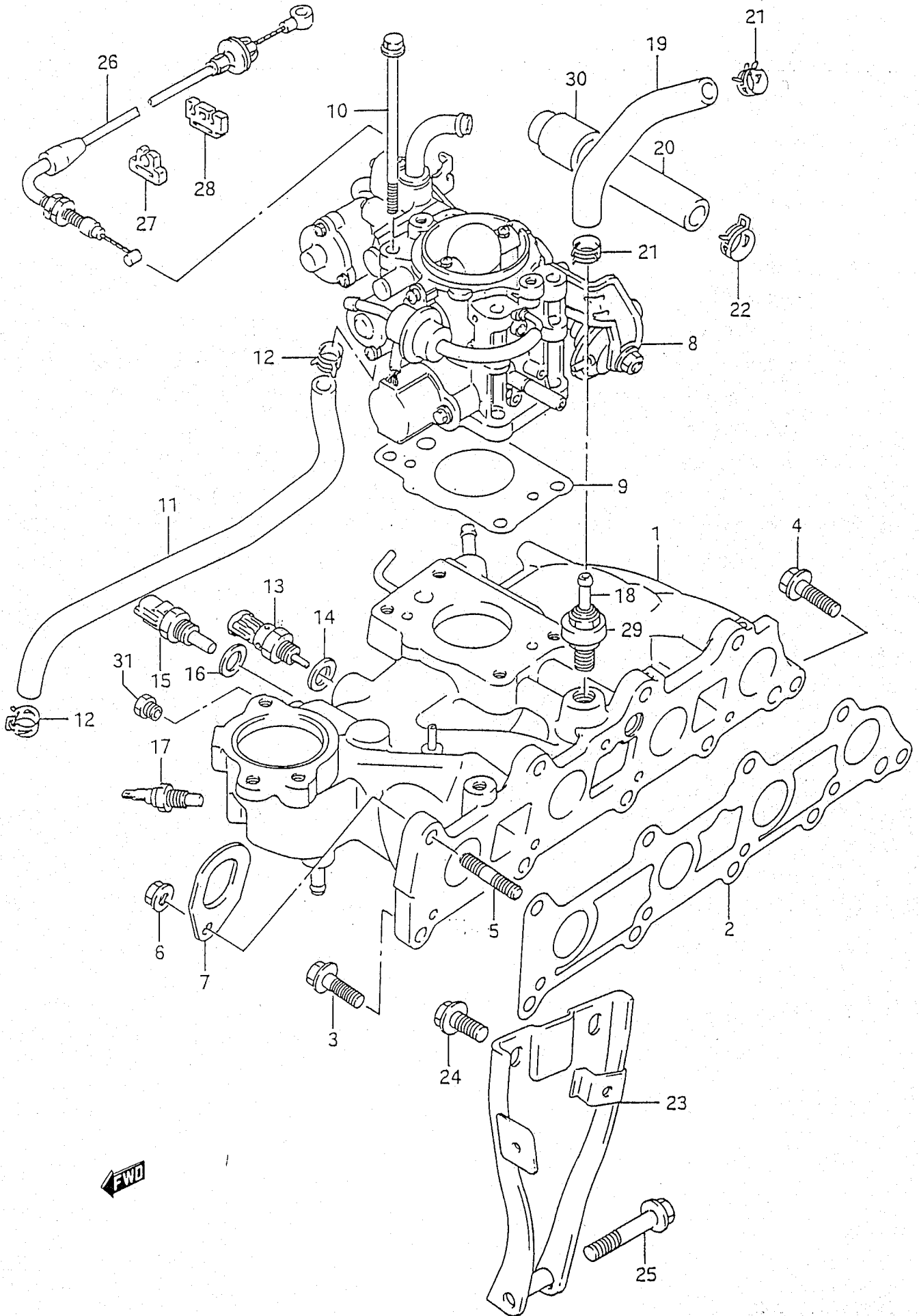


FIG.9 (B-11) INTAKE MANIFOLD AND THROTTLE BODY

REF.NO.	PART NO.	DESCRIPTION	Q'TY		REMARKS
			C	V	
1	13110-56B01	MANIFOLD, intake	1	1	
2	13119-85C00	GASKET, intake manifold	1	1	
3	01550-08253	BOLT	4	4	
4	01550-08253	BOLT	1	1	
5	13117-60B00	STUD BOLT	4	4	
6	08316-10083	NUT	4	4	
7	11851-73001	HOOK, engine	1	1	
8	13400-56B30	BODY ASSY, throttle	1	1	
9	13421-85C00	GASKET, throttle body	1	1	
10	09103-08230	BOLT (8x100)	4	4	
11	13492-56B01	HOSE	1	1	
12	17879-85C00	CLIP	2	2	
13	13650-56B00	SENSOR, inlet air temp	1	1	
14	09168-12016	GASKET, inlet air temp sensor	1	1	
15	13650-61B00	SENSOR, water temp	1	1	
16	09168-12016	GASKET, water temp sensor	1	1	
17	34850-50A00	GAUGE ASSY, water temp	1	1	
18	18118-80010	VALVE, PCV	1	1	
19	11192-56B00	HOSE, PCV	1	1	
20	09354-13203-600	HOSE, breather (L:600→120)	1	1	
21	11195-85C00	CLAMP, PCV hose	2	2	
22	11196-85C00	CLAMP, breather hose	1	1	
23	13620-56B01	STIFFENER, intake manifold	1	1	
24	01550-10203	BOLT	2	2	
25	01550-10553	BOLT	1	1	
26	15910-85C00	CABLE ASSY, accel	1	1	
27	15991-61A02	CLAMP	1	1	
28	15991-83000	CLAMP	1	1	
29	09354-13203-600	PROTECTOR (L:600→28)	1	1	
30	11194-80C00	PROTECTOR (L:120→60)	1	1	
31	09246-04002	PLUG	1	1	N/air con

FIG. 10

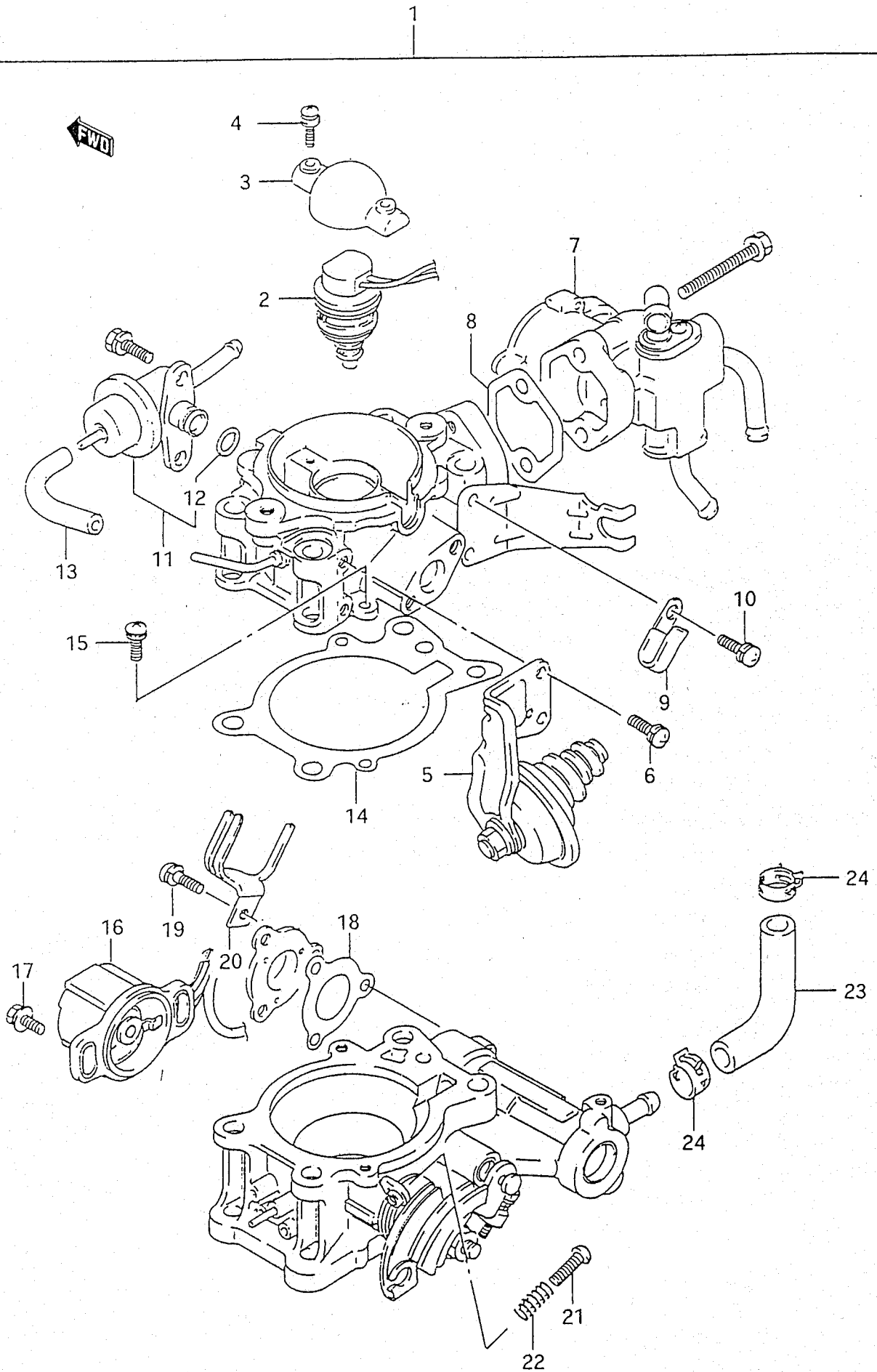


FIG. 10 (B-12) THROTTLE BODY

REF.NO.	PART NO.	DESCRIPTION	Q'TY		REMARKS
			C	V	
1	13400-56B30	BODY ASSY, throttle	1	1	
2	15710-56B00	.INJECTOR ASSY	1	1	
3	13431-61A00	.COVER	1	1	
4	13439-61A00	.SCREW, cover	2	2	
5	13432-61A00	.BRACKET ASSY, depression	1	1	
6	13374-60B00	.SCREW, depression bracket	2	2	
7	18117-56B00	.SOLENOID ASSY	1	1	
8	13441-56B00	.GASKET, solenoid	1	1	
9	09404-06402	.CLIP, solenoid	1	1	
10	02112-35123	.SCREW	4	4	
11	15160-56B00	.REGULATOR ASSY	1	1	
12	15167-61A00	.SEAL, regulator	1	1	
13	13687-72B00	.HOSE (L:275→70)	1	1	
14	13441-61A00	.GASKET	1	1	
15	02112-35123	.SCREW	2	2	
16	13420-56B00	.SENSOR, throttle	1	1	
17	13428-58B00	.BOLT	2	2	
18	13442-61A00	.GASKET	1	1	
19	02112-35123	.SCREW	3	3	
20	13445-61A00	.CLIP	1	1	
21	13443-61A00	.SCREW, adjust	1	1	
22	13444-61A00	.SPRING, adjust screw	1	1	
23	13491-56B00	.HOSE	1	1	
24	09401-12404	.CLIP	2	2	
25	13403-56B00	.GASKET SET, throttle body (Inc.Ref.No.8,12,14 and 18.)	1	1	not shown

FIG. 11

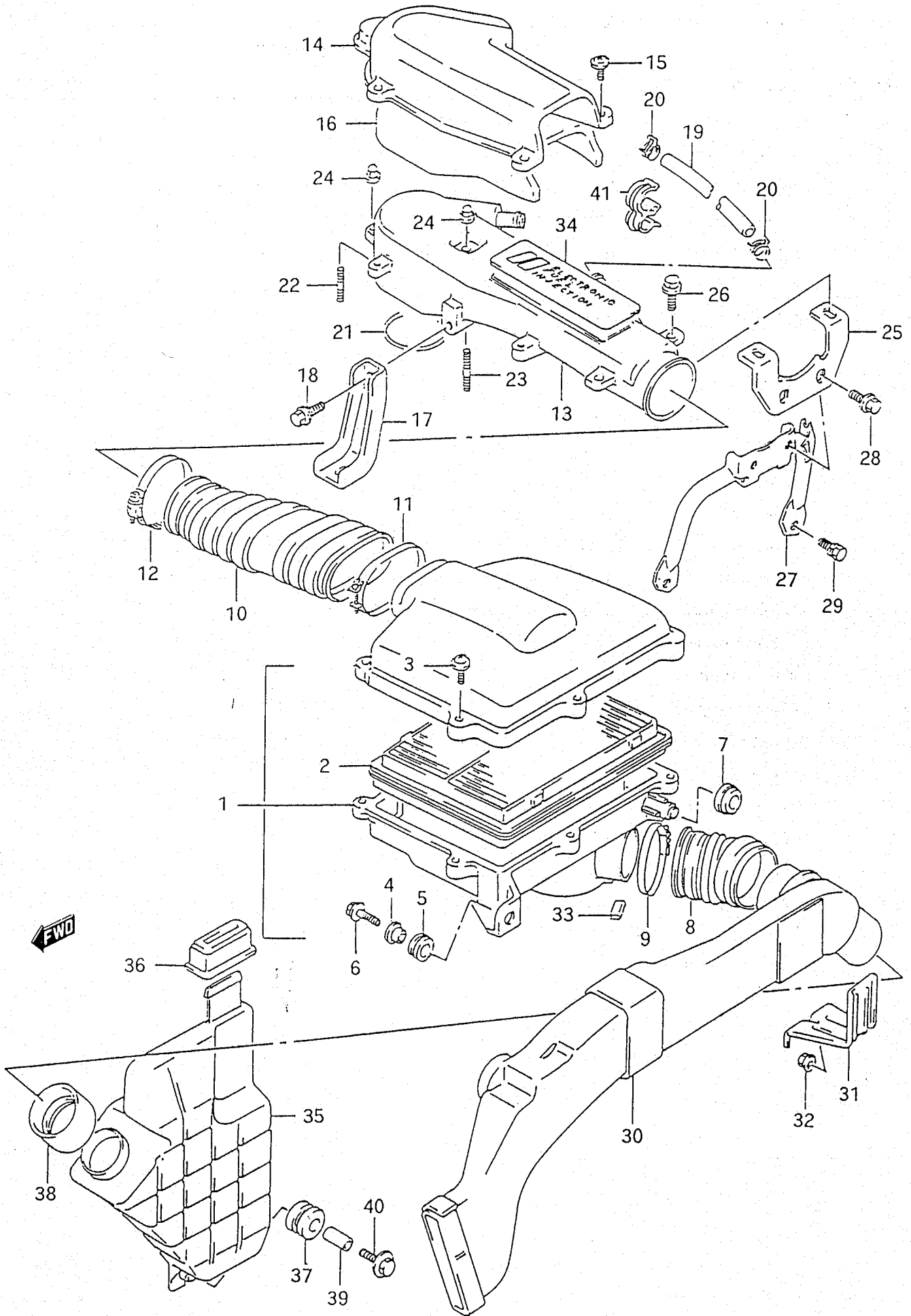


FIG.11 (B-13) AIR CLEANER

REF.NO.	PART NO.	DESCRIPTION	Q'TY		REMARKS
			C	V	
1	13700-61A01	CLEANER ASSY, air	1	1	
2	13780-61A00	.FILTER, air cleaner	1	1	
3	02112-16203	.SCREW	6	6	
4	13812-61A00	.SPACER	2	2	
5	13813-61A00	.GROMMET	2	2	
6	01550-06253	BOLT	2	2	
7	09308-15006	GROMMET	1	1	
8	13871-56B00	HOSE, air cleaner inlet	1	1	
9	09402-68202	CLAMP	1	1	
10	13880-61A00	HOSE ASSY, outlet	1	1	
11	13891-61A00	CLAMP	1	1	
12	09402-76502	CLAMP	1	1	
13	13830-56B00	CASE, air intake	1	1	
14	13840-56B00	COVER, intake air case	1	1	
15	02142-06123	SCREW	4	4	
16	13845-56B00	INSULATOR, air intake case	1	1	
17	13850-56B00	STIFFENER, case	1	1	
18	01550-08163	BOLT	2	2	
19	09354-90143-600	HOSE, ISC (L:600→340)	1	1	
20	18119-85C50	CLIP, ISC hose	2	2	
21	13879-81050	SEAL, air intake case	1	1	
22	01421-06303	BOLT	1	1	
23	01421-06653	BOLT	1	1	
24	08316-10063	NUT	2	2	
25	13861-61A01	PLATE, air intake case	1	1	
26	01550-08163	BOLT	2	2	
27	13850-61A02	BRACKET, air intake case	1	1	
28	01550-08123	BOLT	2	2	
29	01570-08163	BOLT	2	2	
30	13820-56B00	CASE, air cleaner suction	1	1	
31	13829-56B01	CLAMP, suction case	2	2	
32	08316-10063	NUT	4	4	
33	13814-61A00	CUSHION, air cleaner	1	1	
34	11965-56B00	PLATE, EFI	1	1	

FIG.11 (B-14) AIR CLEANER

REF.NO.	PART NO.	DESCRIPTION	Q'TY		REMARKS
			C	V	
35	13760-56B01	RESONATOR	1	1	
36	13765-56B01	CUSHION, upper	1	1	
37	13766-56B00	CUSHION, lower	1	1	
38	13767-56B00	JOINT, resonator	1	1	
39	09180-08129	COLLAR, resonator	1	1	
40	09116-06155	BOLT	1	1	
41	09408-00157	CLIP, breather hose	1	1	

FIG. 12

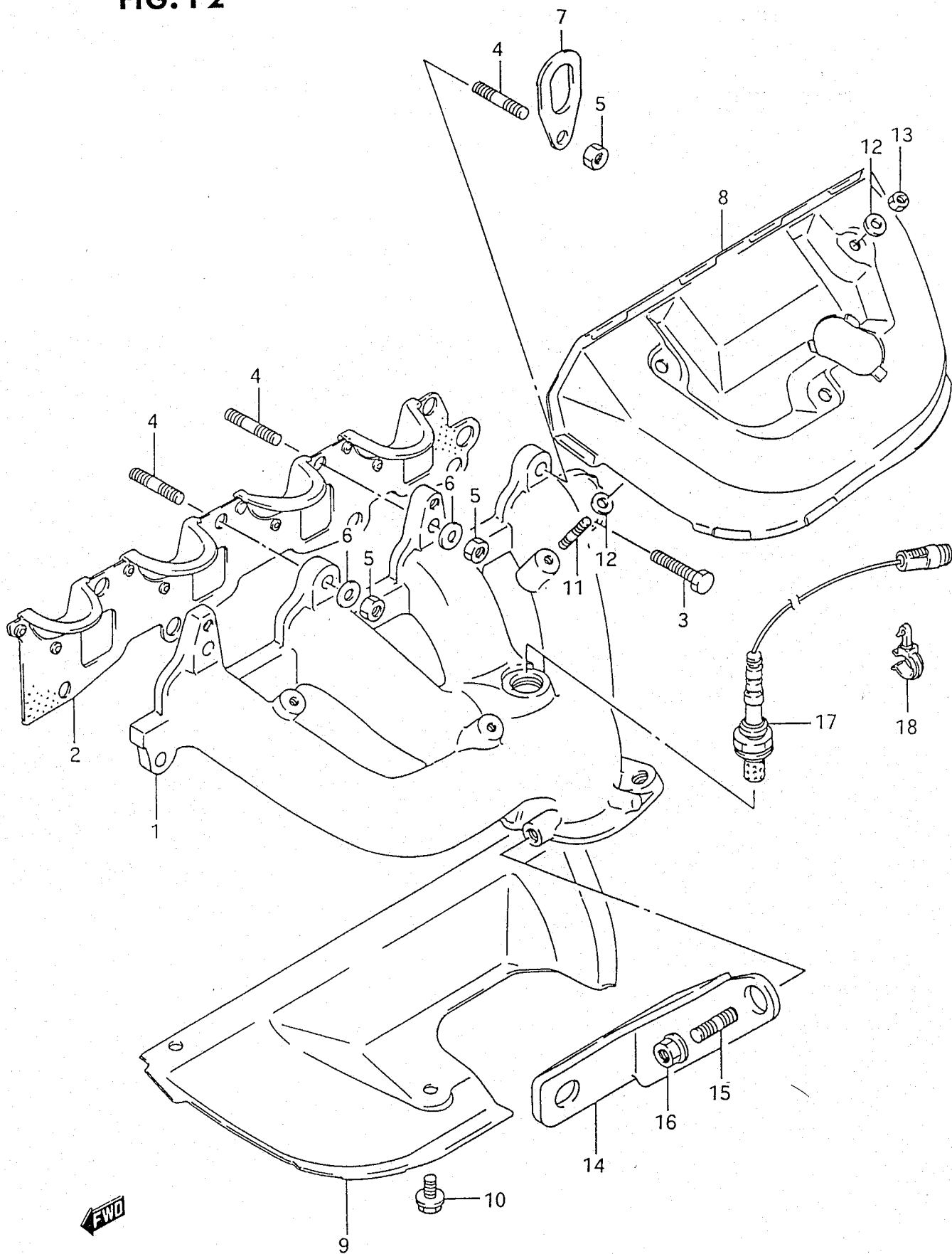


FIG.12 (B-15) EXHAUST MANIFOLD

REF.NO.	PART NO.	DESCRIPTION	Q'TY		REMARKS
			C	V	
1	14111-61A01	MANIFOLD, exhaust	1	1	
2	14140-85C00	GASKET, exhaust manifold	1	1	
3	01550-08353	BOLT	1	1	
4	13117-60B00	STUD BOLT	7	7	
5	08310-00083	NUT	7	7	
6	09160-08097	WASHER	6	6	
7	11851-73001	HOOK, engine	1	1	
8	14120-85C00	COVER, manifold upper	1	1	
9	14130-85C00	COVER, manifold lower	1	1	
10	09103-06168	BOLT (6x10)	3	3	
11	01411-06123	STUD BOLT	3	3	
12	08322-01063	WASHER	6	6	
13	08310-00063	NUT	3	3	
14	14270-85C00	STIFFNER, manifold	1	1	
15	01411-10163	STUD BOLT	1	1	
16	08316-10103	NUT	1	1	
17	18213-57B20	SENSOR, oxygen	1	1	
18	18214-56B00	CLAMP, oxygen sensor	1	1	

FIG. 13

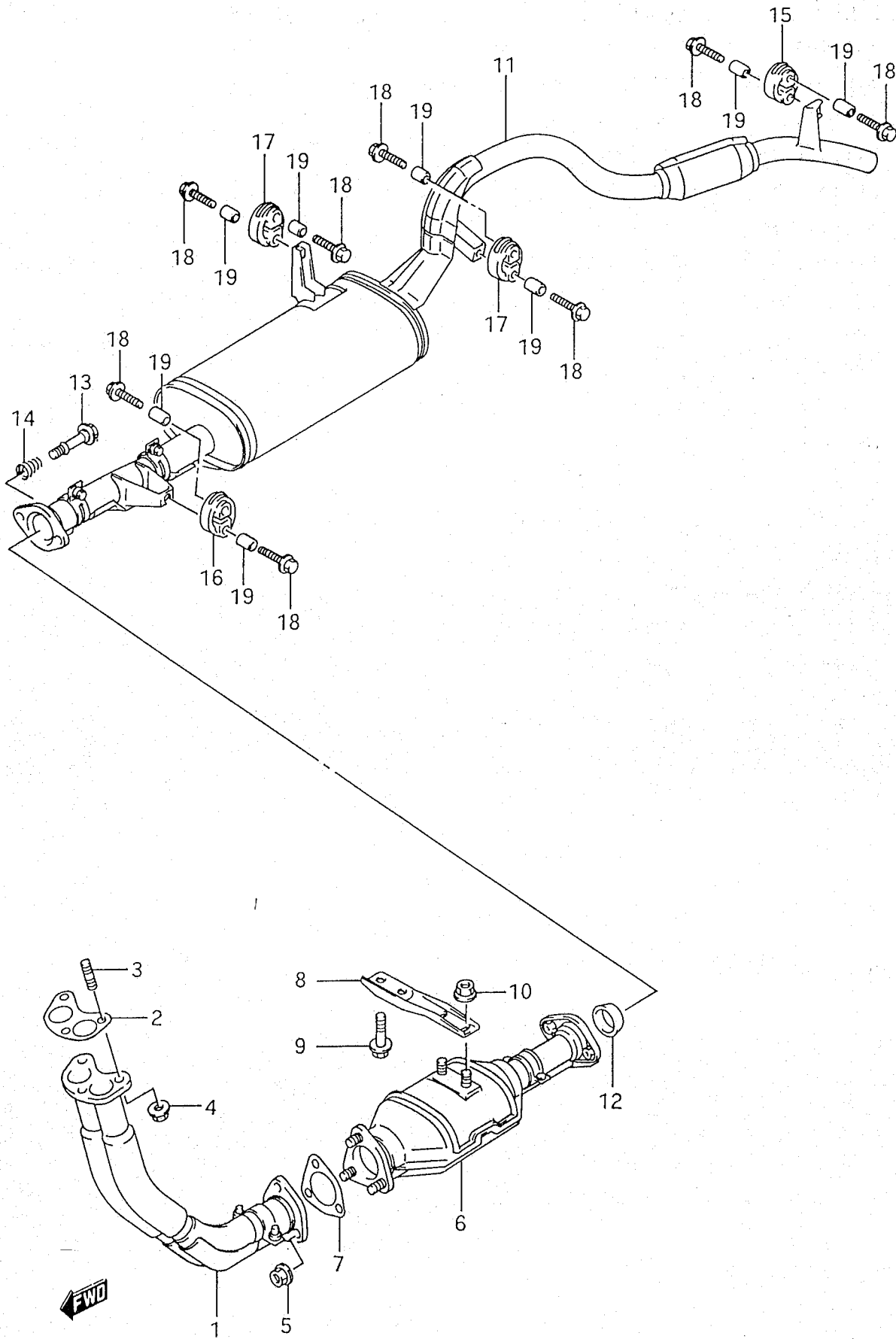


FIG.13 (B-16) MUFFLER

REF.NO.	PART NO.	DESCRIPTION	Q'TY		REMARKS
			C	V	
1	14190-85C00	PIPE, exhaust No.1	1	1	
2	14181-85C00	GASKET, exhaust manifold	1	1	
3	14221-85C00	STUD BOLT	3	3	
4	14222-85C10	NUT	3	3	
5	14222-85C00	NUT	3	3	
6	14250-57B00	PIPE, exhaust No.2	1	1	
7	14182-57B00	GASKET, exhaust pipe	1	1	
8	14284-57B00	BRACKET, exhaust pipe	1	1	
9	01580-10253	BOLT	2	2	
10	08316-10103	NUT	2	2	
11	14300-85C00	MUFFLER	1	1	
12	14183-60A10	SEALING, center pipe/muffler	1	1	
13	14221-85C10	BOLT	2	2	
14	14492-85C00	SPRING	2	2	
15	14281-78010	MOUNTING, muffler	1	1	
16	14281-60B00	MOUNTING, muffler	1	1	
17	14281-85C00	MOUNTING, muffler	2	2	
18	01550-08353	BOLT	8	8	
19	09180-08095	SPACER (8.2x12.5x23.5)	8	8	

FIG. 14

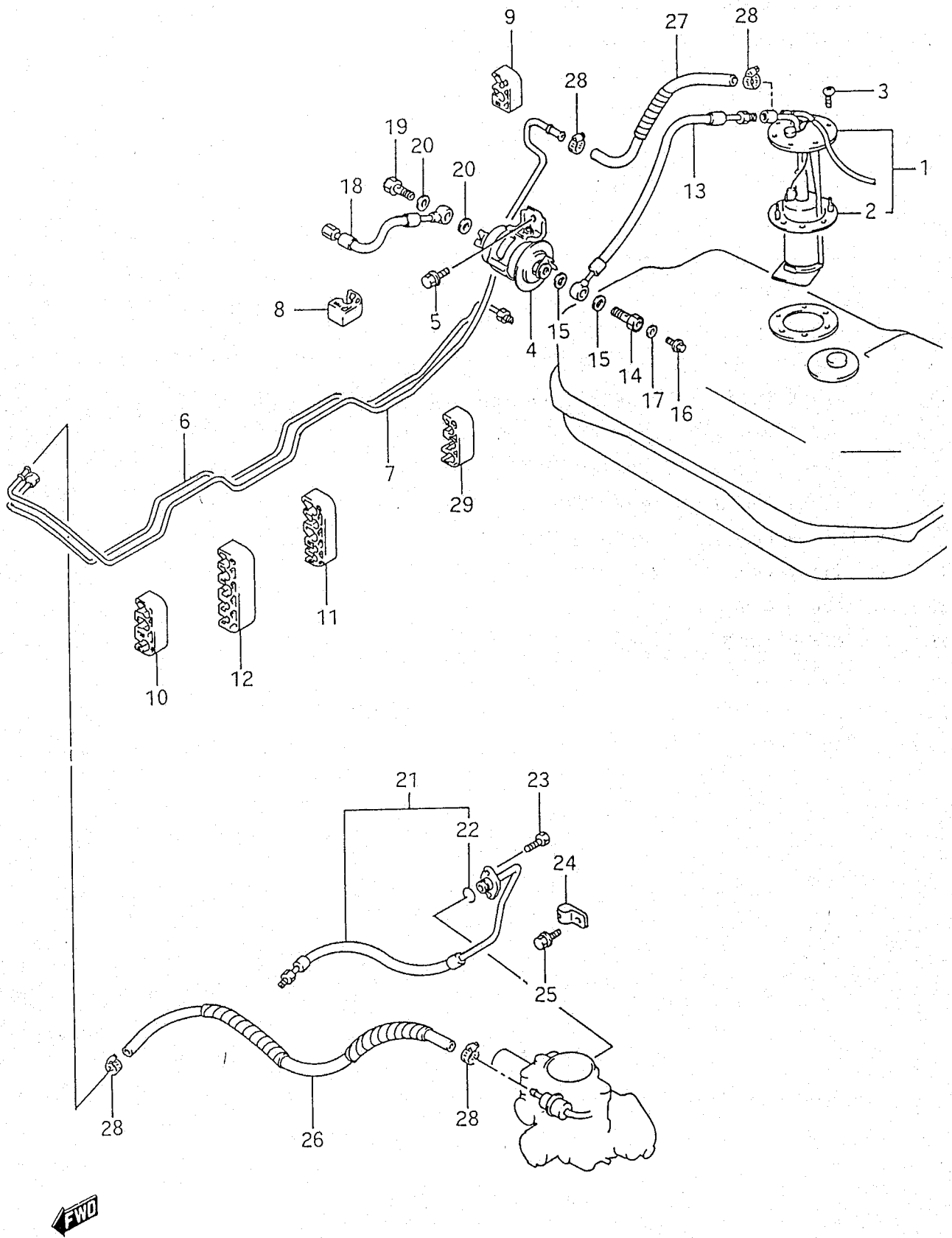


FIG.14 (C- 2) FUEL PUMP

REF.NO.	PART NO.	DESCRIPTION	Q'TY		REMARKS
			C	V	
1	15100-61A02	PUMP ASSY, fuel	1	1	
2	15111-61A00	.GASKET, fuel pump	1	1	
3	09136-05045	SCREW	6	6	
4	15410-61A00	FILTER, fuel	1	1	
5	01550-06123	BOLT	2	2	
6	15820-61A21	PIPE, fuel	1	1	
7	15861-60A20	PIPE, fuel return	1	1	
8	15893-67B00	CLAMP, fuel pipe	1	1	
9	15892-60A00	CLAMP, fuel pipe	3	3	
10	15893-60A00	CLAMP, fuel pipe	2	2	
11	15895-60A00	CLAMP, fuel pipe	3	3	
12	15896-60A00	CLAMP, fuel pipe	1	1	
13	15810-61A01	HOSE, fuel tank to filter	1	1	
14	13923-85551	BOLT, fuel union	1	1	
15	13925-85553	GASKET, union bolt	2	2	
16	17568-50F00	PLUG, union	1	1	
17	09168-06023	GASKET	1	1	
18	15840-61A01	HOSE, fulter to pipe	1	1	
19	09360-12008	BOLT, fuel union	1	1	
20	13925-85553	GASKET, union bolt	2	2	
21	15830-61A00	HOSE, pipe to throttle body	1	1	
22	15710-09300	.O RING	1	1	
23	01570-06163	BOLT	2	2	
24	09403-08404	CLAMP, hose	1	1	
25	01550-06123	BOLT	1	1	
26	15870-61A00	HOSE, body to return pipe	1	1	
27	15880-56B00	HOSE, return pipe to tank	1	1	L:410-360
28	15899-85C00	CLAMP, hose	4	4	
29	15897-85C00	CLAMP	1	1	

FIG.15 (C- 3) OIL PUMP

REF.NO.	PART NO.	DESCRIPTION	Q'TY		REMARKS
			C	V	
1	16100-85810	PUMP ASSY, oil	1	1	
2	16130-60A00	.ROTOR SET, oil pump	1	1	
3	16161-60A00	.PLATE, gear	1	1	
4	09126-06007	.SCREW	5	5	
5	16150-60A00	.VALVE SET, oil pump relief	1	1	
6	08331-41156	.CIRCLIP	1	1	
7	09246-08002	.PLUG	2	2	
8	01411-08203	.STUD BOLT	1	1	
9	04221-06129	.PIN	2	2	
10	16119-85C00	.GASKET, oil pump	1	1	
11	01550-06253	BOLT	4	4	
12	01550-06353	BOLT	3	3	
13	04211-09109	PIN	2	2	

FIG. 16

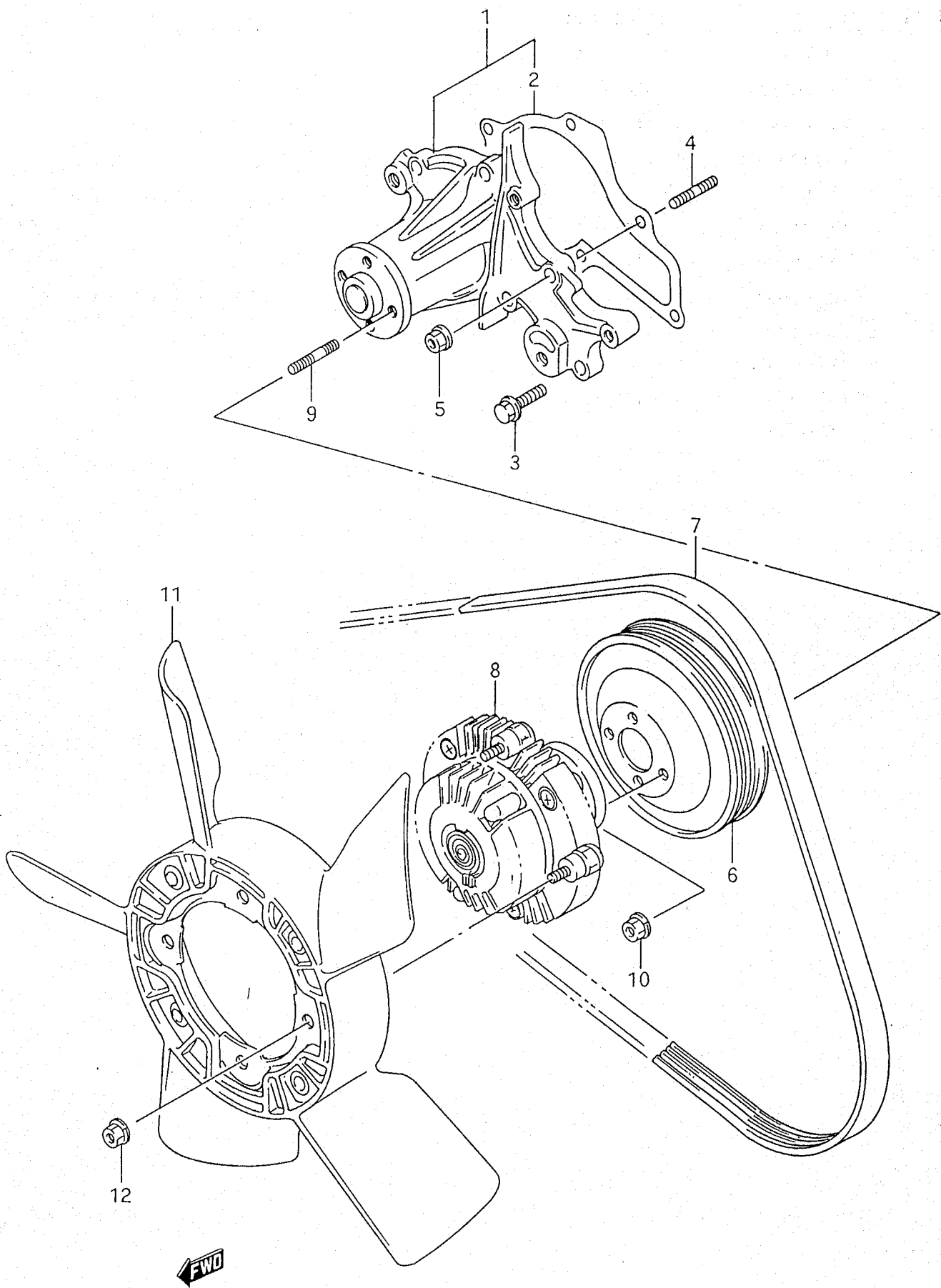


FIG.16 (C- 4) WATER PUMP AND COOLING FAN

REF.NO.	PART NO.	DESCRIPTION	Q'TY		REMARKS
			C	V	
1	17400-60812	PUMP ASSY, water	1	1	
2	17431-85C00	.GASKET, water pump	1	1	
3	09103-06066	BOLT (6x23)	4	4	
4	01421-06203	STUD BOLT	2	2	
5	08316-10063	NUT	2	2	
6	17511-61A00	PULLEY, water pump	1	1	
7	17521-61A00	BELT, water pump	1	1	
8	17120-57B00	CLUTCH ASSY, fan	1	1	
9	01411-06203	STUD BOLT	4	4	
10	08361-35063	NUT	4	4	
11	17110-60A00	FAN, engine cooling	1	1	
12	08361-35063	NUT	4	4	

FIG. 17

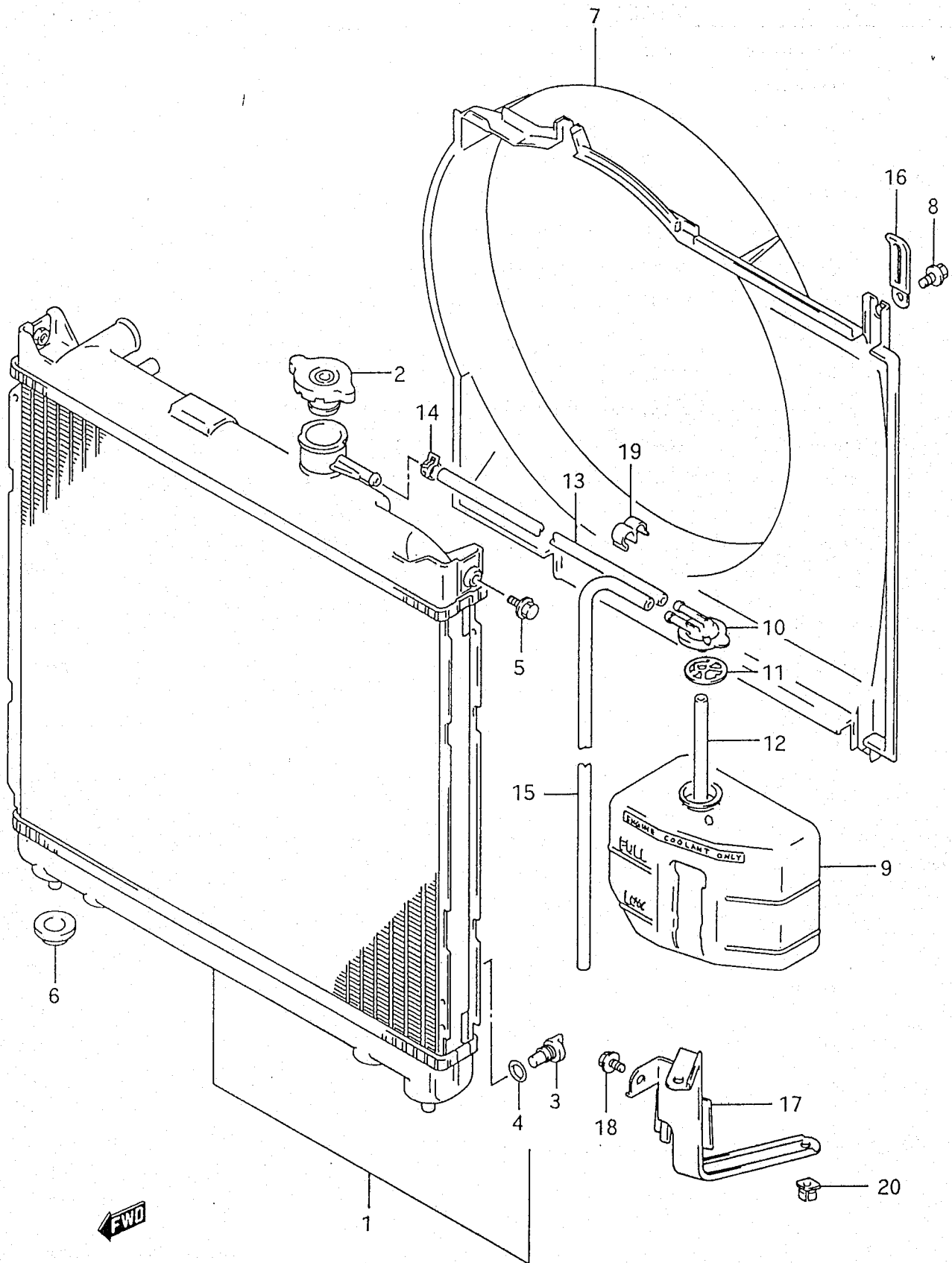


FIG.17 (C- 5) RADIATOR

REF.NO.	PART NO.	DESCRIPTION	Q'TY		REMARKS
			C	V	
1	17700-85C00	RADIATOR ASSY	1	1	
2	17920-85C00	.CAP, radiator	1	1	
3	17751-85C00	.PLUG, drain	1	1	
4	17759-85C00	.GASKET, drain plug	1	1	
5	01550-06203	BOLT	2	2	
6	17812-82000	BUSH, radiator support	2	2	
7	17761-60A01	SHROUD, fan	1	1	
8	01550-06103	BOLT	4	4	
9	17931-60A10	TANK, water reservoir	1	1	
10	17932-60A10	CAP, water reservoir tank	1	1	
11	17933-60B00	RUBBER, water RSVR tank cap	1	1	
12	09352-70111-300	HOSE, water reservoir tank	1	1	L:300→115
13	09352-70121-600	HOSE, water reservoir tank	1	1	L:600→400
14	09401-11407	CLIP	1	1	
15	09352-70111-00A	HOSE, reservoir tank drain	1	1	L:1000→700
16	09404-06402	CLAMP	1	1	
17	17937-60A11	BRACKET, reservoir tank	1	1	
18	01550-06103	BOLT	3	3	
19	09408-00100	CLIP	1	1	
20	09148-06006	NUT	1	1	

FIG. 18

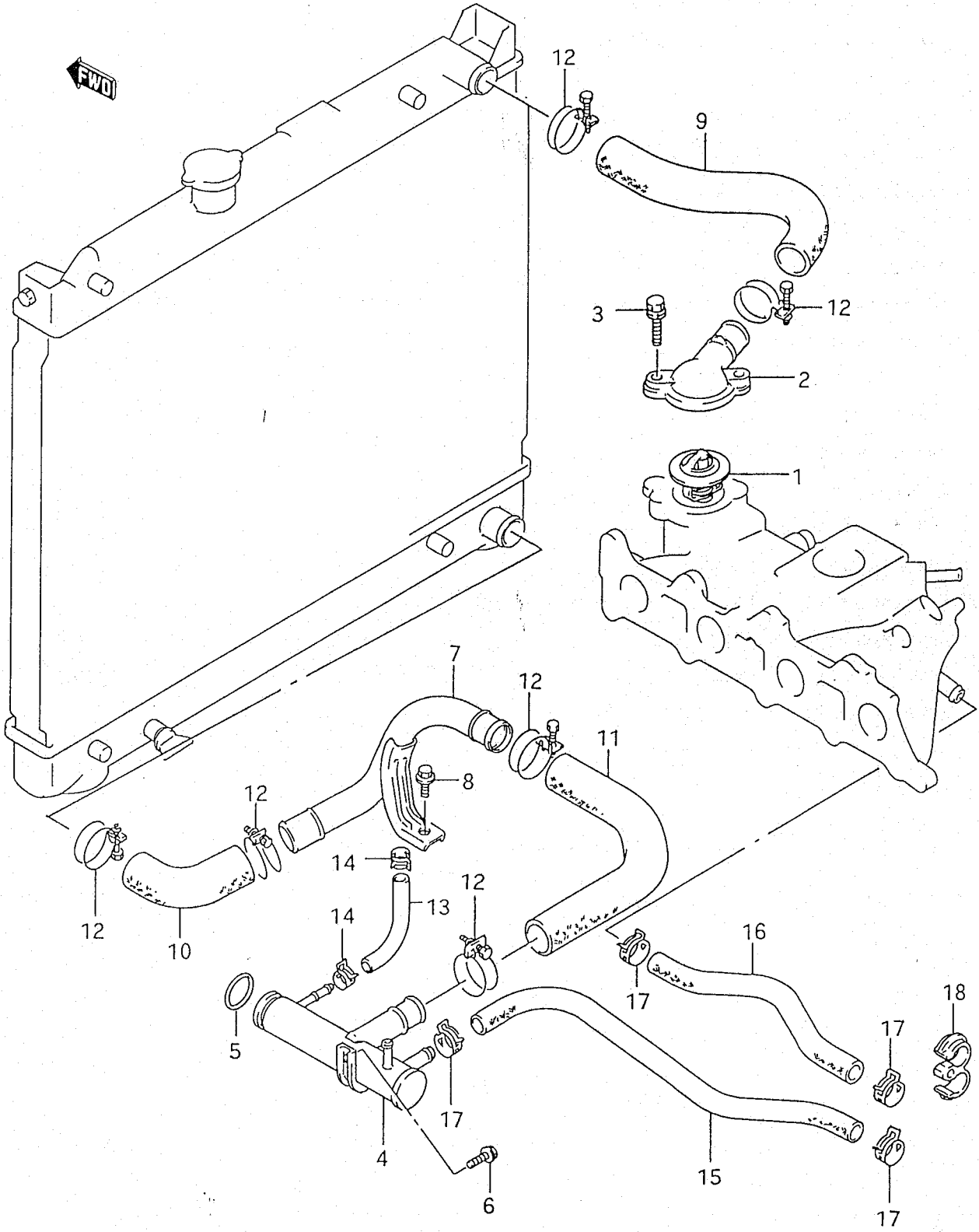


FIG.18 (C- 6) WATER HOSE

REF.NO.	PART NO.	DESCRIPTION	Q'TY		REMARKS
			C	V	
1	17670-85C00	THERMOSTAT, water	1	1	
2	17561-73000	CAP, thermostat	1	1	
3	01550-08303	BOLT	2	2	
4	17550-60A00	PIPE, water inlet	1	1	
5	09280-28008	O RING	1	1	
6	01550-06103	BOLT	1	1	
7	17860-60A00	PIPE, radiator outlet	1	1	
8	01550-08123	BOLT	1	1	
9	17841-85C00	HOSE, radiator inlet	1	1	
10	17851-85C00	HOSE, radiator outlet No.1	1	1	
11	17852-85C00	HOSE, radiator outlet No.2	1	1	
12	09400-36312	CLAMP, radiator hose	6	6	
13	17859-85C00	HOSE, water bypass	1	1	
14	17879-85C00	CLIP, bypass hose	2	2	
15	17871-85C00	HOSE, heater inlet	1	1	
16	17872-85C00	HOSE, heater outlet	1	1	
17	11196-85C00	CLIP, heater hose	4	4	
18	09408-00117	CLIP, heater hose	1	1	

FIG. 19

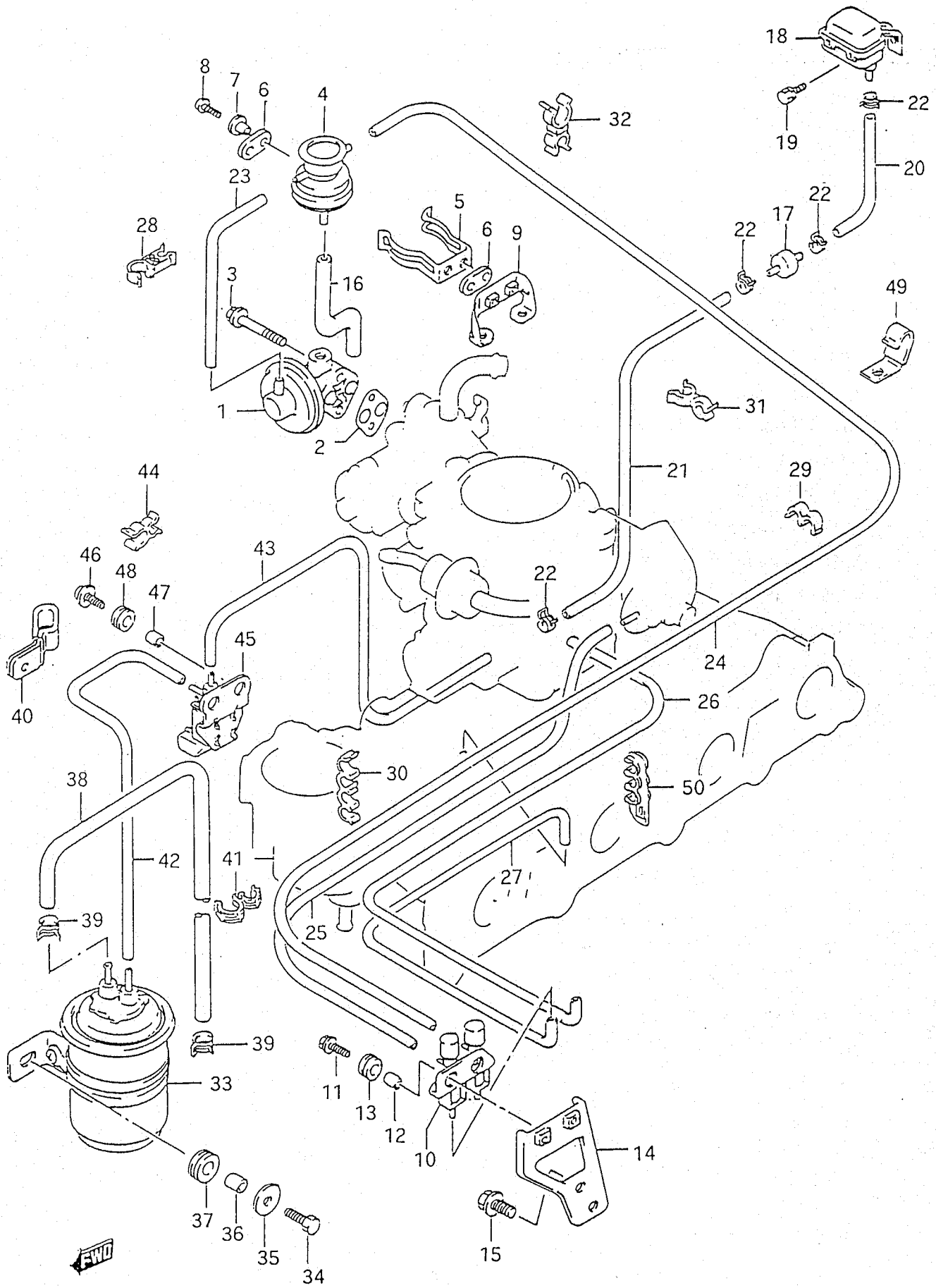


FIG.19 (C- 7) EMISSION CONTROL SYSTEM

REF.NO.	PART NO.	DESCRIPTION	Q'TY		REMARKS
			C	V	
1	18111-56B00	VALVE, EGR	1	1	
2	18529-85C00	GASKET, EGR valve	1	1	
3	01550-06453	BOLT	2	2	
4	18112-60B00	MODULATOR ASSY, EGR	1	1	
5	13814-85C00	CLAMP, modulator	1	1	
6	13817-82000	CUSHION, modulator clamp	2	2	
7	13815-85C00	SPACER, modulator clamp	2	2	
8	02142-06163	SCREW	2	2	
9	18412-56B00	BRACKET, modulator	1	1	
10	18117-61A00	VALVE, vacuum switching	1	1	
11	09136-06086	SCREW, VSV (6x14)	2	2	
12	09180-06106	SPACER (6.8x10x7)	2	2	
13	09308-10004	GROMMET	2	2	
14	18417-61A00	BRACKET	1	1	
15	01550-10163	BOLT	2	2	
16	18471-56B00	HOSE, EGR to modulator	1	1	
17	27965-85400	FILTER, GAS	1	1	
18	18590-80C20	SENSOR, pressure	1	1	
19	01570-06123	BOLT	1	1	
20	09358-35754-300	HOSE, VAC (L:300→50)	1	1	
21	09358-35754-300	HOSE, VAC (L:300→230)	1	1	
22	18119-85C40	CLIP, hose	4	4	
23	09358-35754-300	HOSE, VAC (L:300→180)	1	1	
24	09358-35754-600	HOSE, VAC (L:600→510)	1	1	
25	09358-35754-300	HOSE, VAC (L:300→280)	1	1	
26	09358-35754-300	HOSE, VAC (L:300→270)	1	1	
27	09358-35754-300	HOSE, VAC (L:300→200)	1	1	
28	09408-00111	CLAMP, hose	1	1	
29	18119-85C00	CLIP, hose	1	1	
30	09408-00035	CLIP, hose	1	1	
31	09408-00124	CLAMP, hose	1	1	
32	09408-00056	CLAMP, hose	1	1	

FIG. 19

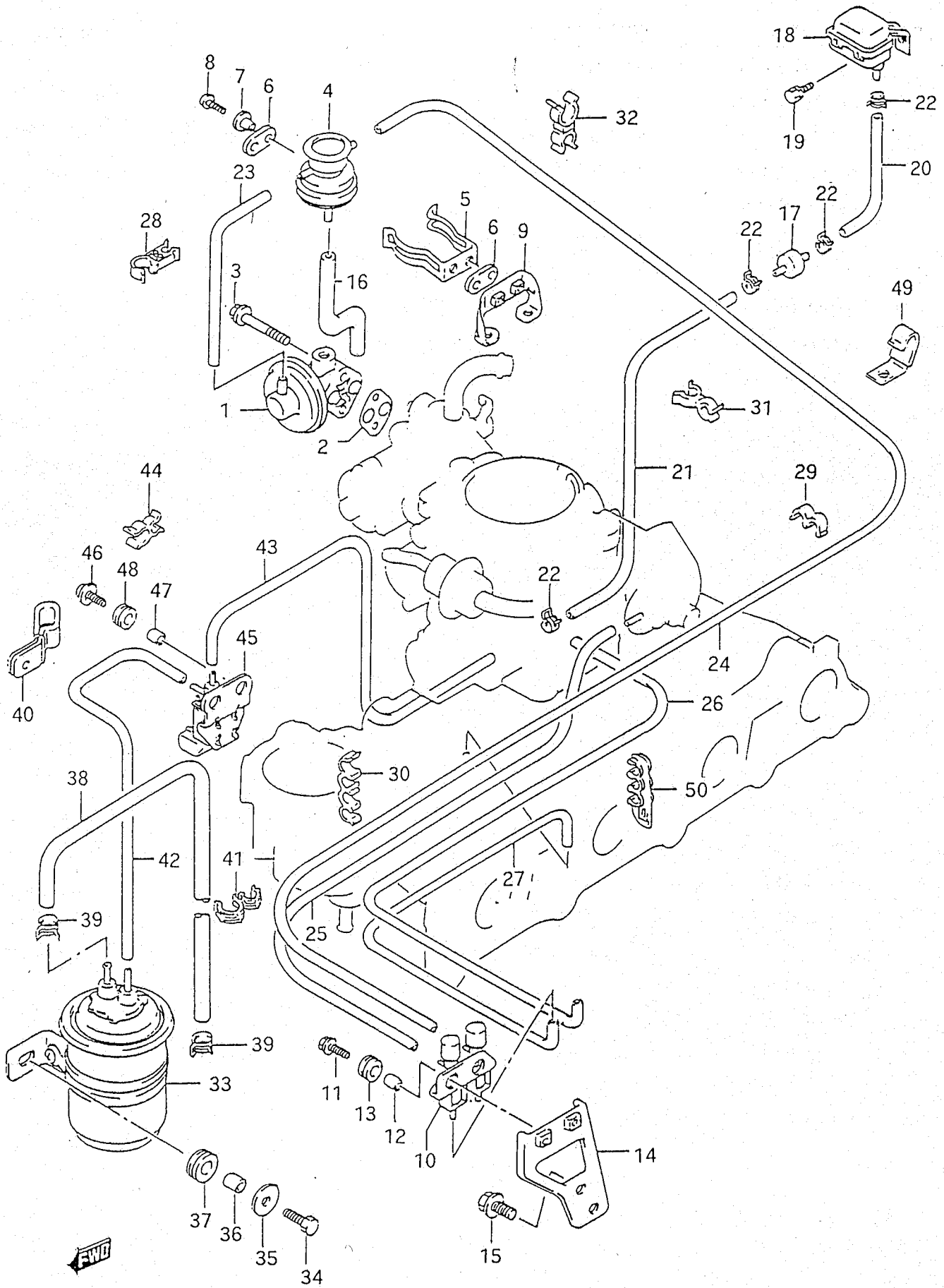
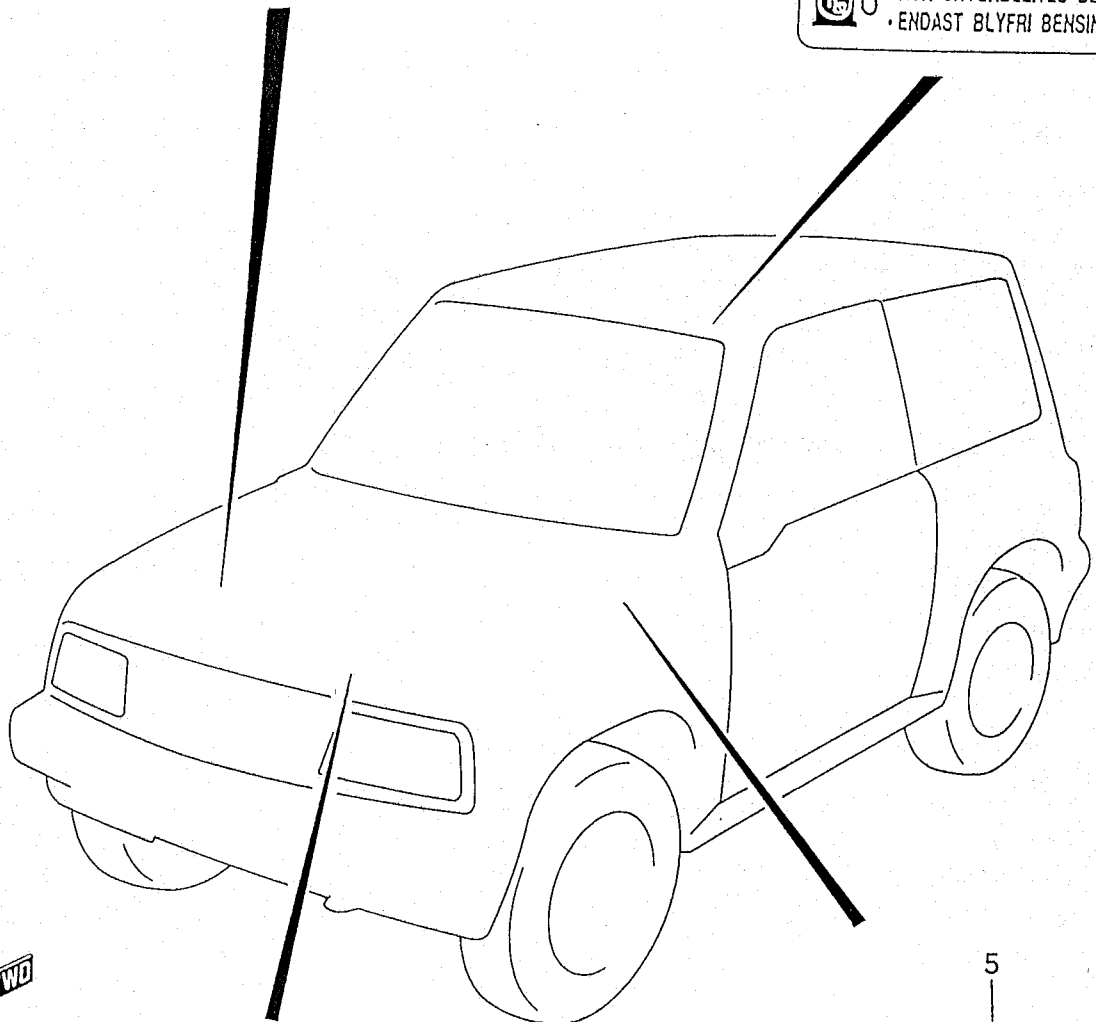
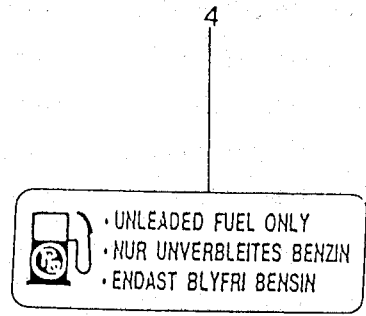
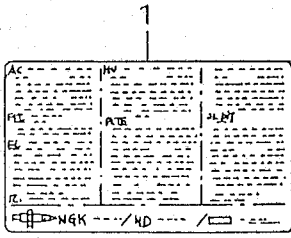


FIG.19 (C- 8) EMISSION CONTROL SYSTEM

REF.NO.	PART NO.	DESCRIPTION	Q'TY		REMARKS
			C	V	
33	18560-61A00	CANISTER	1	1	
34	01500-08203	BOLT	2	2	
35	09160-08075	WASHER (8.2x26x1.6)	2	2	
36	09180-08171	SPACER (8.2x12.5x6)	2	2	
37	09320-12011	GROMMET, canister	2	2	
38	18567-56B00	HOSE, canister inlet	1	1	
39	18119-85C10	CLIP, hose	2	2	
40	18569-61A10	CLAMP, inlet hose	1	1	
41	18119-85C20	CLAMP, inlet hose	1	1	
42	09358-35754-300	HOSE, canister purge (L:300→150)	1	1	
43	09358-35754-300	HOSE, canister purge hose (L:300→280)	1	1	
44	09408-00137	CLAMP, hose	1	1	
45	18117-56B10	VALVE ASSY, solenoid	1	1	
46	09136-06086	SCREW, solenoid valve (6x14)	2	2	
47	09180-06106	SPACER (6.8x10x7)	2	2	
48	09308-10004	GROMMET, solenoid valve	2	2	
49	09403-09314	CLAMP, hose	1	1	
50	33881-82011	CLAMP, hose	1	1	

FIG. 20



FWD

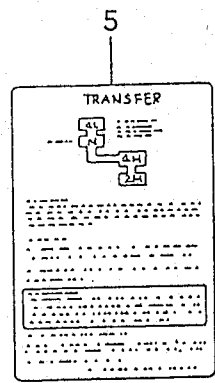
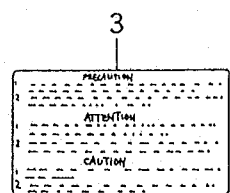
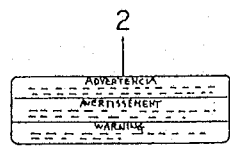


FIG.20 (C- 9) LABEL

REF.NO.	PART NO.	DESCRIPTION	Q'TY		REMARKS
			C	V	
1	11962-85C00	LABEL, information	1	1	
2	11958-85C00	LABEL, cooling fan caution	1	1	
3	17998-82012	LABEL, cooling water caution	1	1	
4	11959-60E00	LABEL, fuel limitation	1	1	
5	28381-60A60	EMBLEM	1	1	

FIG. 21

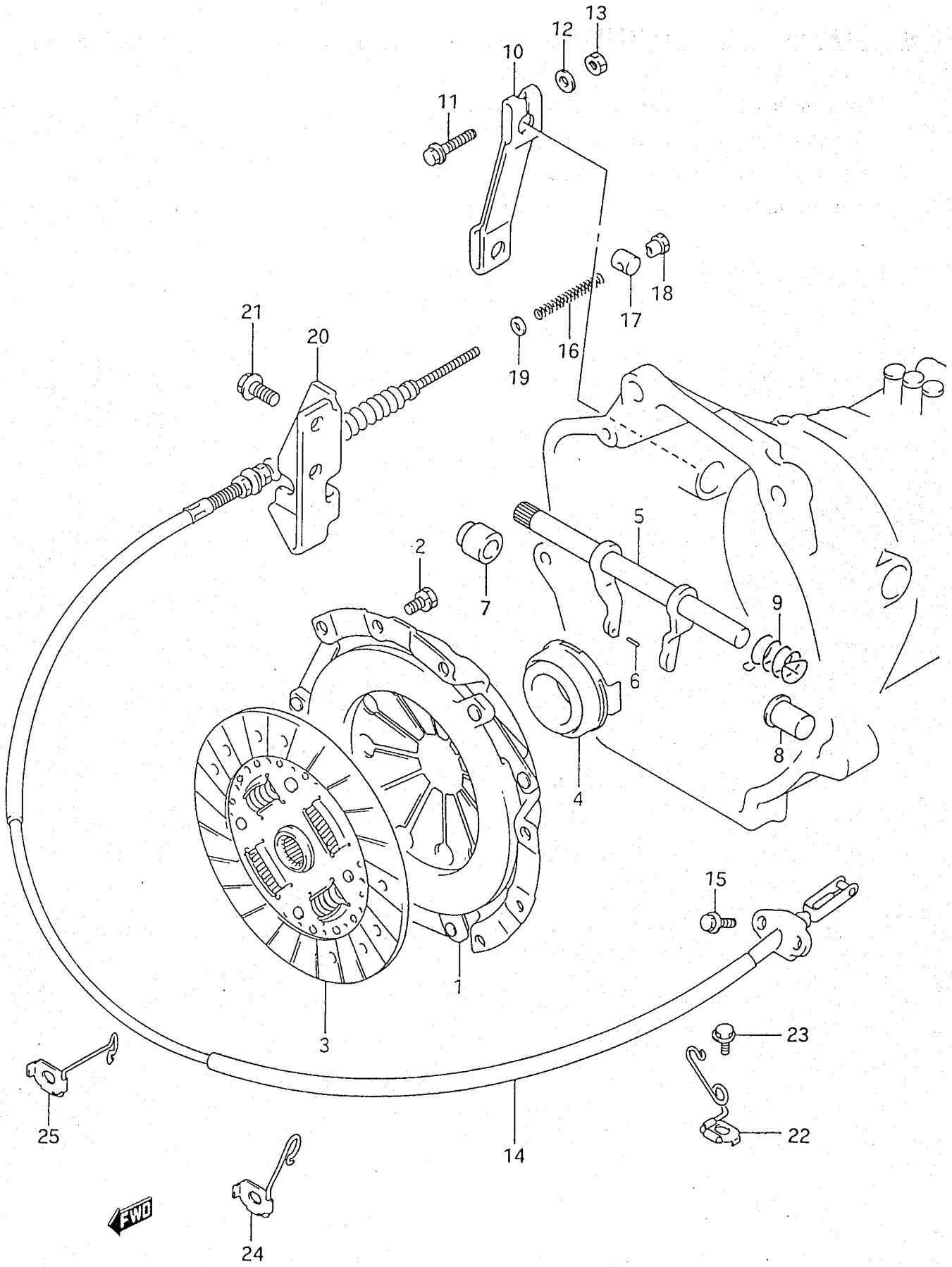


FIG.21 (D- 2) CLUTCH AND CLUTCH CONTROL

REF.NO.	PART NO.	DESCRIPTION	Q'TY		REMARKS
			C	V	
1	22100-57B02	COVER ASSY, clutch	1	1	
2	01570-08163	BOLT	6	6	
3	22400-57B01	DISC, clutch	1	1	
4	23265-70C00	BEARING, clutch release	1	1	
5	23260-60A00	SHAFT, clutch release	1	1	
6	09205-03019	PIN	1	1	
7	23264-60A00	BUSH	1	1	
8	23264-60A10	BUSH	1	1	
9	23269-60A00	SPRING	1	1	
10	23266-60A00	ARM, clutch release	1	1	
11	01550-08403	BOLT	1	1	
12	08322-01083	WASHER	1	1	
13	08310-00083	NUT	1	1	
14	23710-60A11	CABLE ASSY, clutch	1	1	
15	01550-06163	BOLT	2	2	
16	09440-08026	SPRING	1	1	
17	09209-13018	PIN	1	1	
18	09150-06014	NUT	1	1	
19	08322-01063	WASHER	1	1	
20	23911-56B00	BRACKET, clutch cable	1	1	
21	01550-10203	BOLT	2	2	
22	23915-60A20	CLAMP, clutch cable No.1	1	1	
23	01550-06103	BOLT	1	1	
24	23916-60A00	CLAMP, clutch cable No.2	1	1	
25	23917-60A00	CLAMP, clutch cable No.3	1	1	

FIG. 22

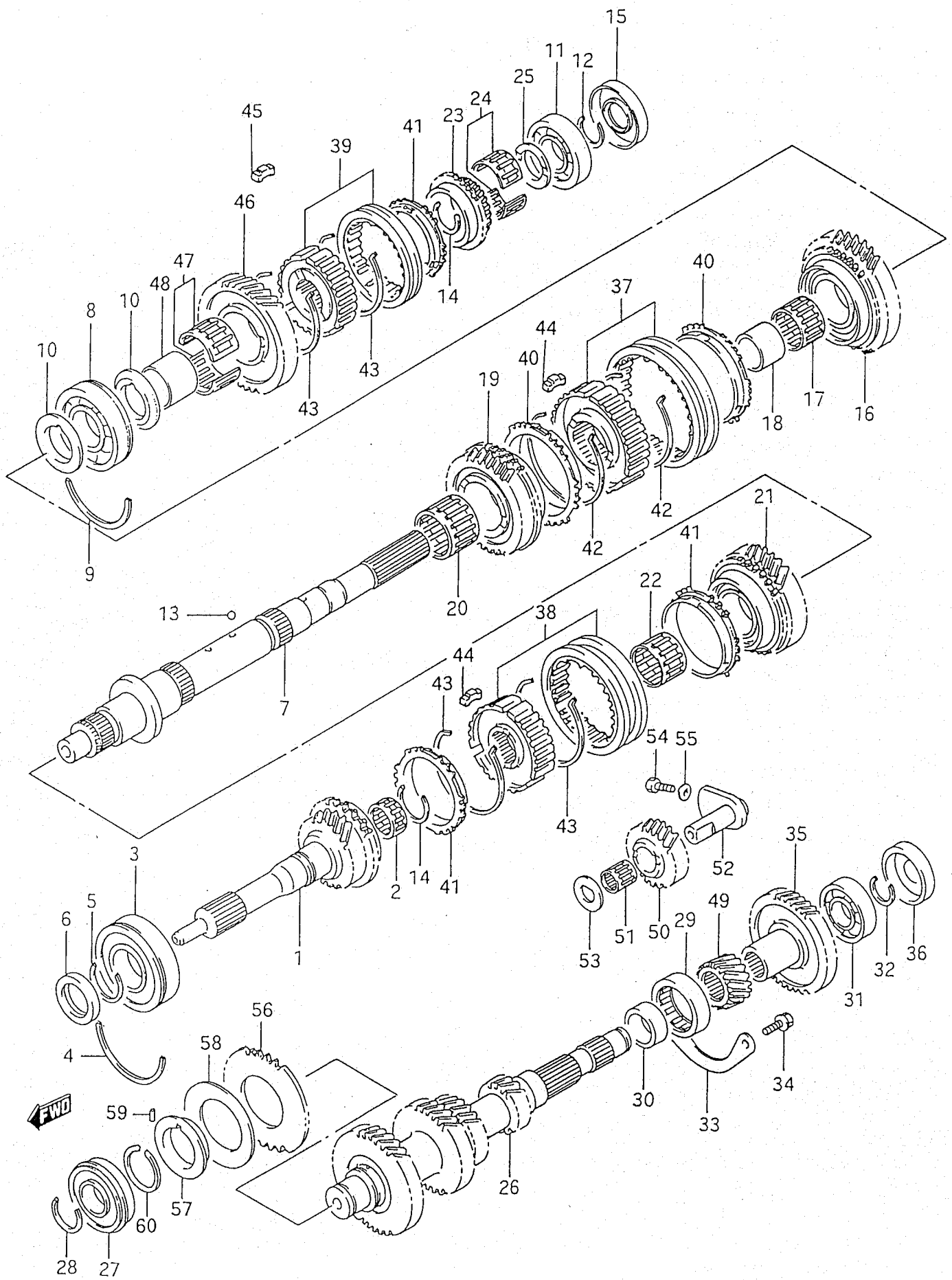


FIG.22 (D- 3) TRANSMISSION

REF.NO.	PART NO.	DESCRIPTION	Q'TY		REMARKS
			C	V	
1	24110-85C00	SHAFT, input (NT:23)	1	1	
2	21915-85C00	BEARING	1	1	
3	21911-85C00	BEARING	1	1	
4	21933-85C80	C RING	1	1	
5	21933-85C30	CIRCLIP	1	1	
6	09283-25088	SEAL, oil	1	1	
7	24121-60A00	SHAFT, transmission main	1	1	
8	21911-85C20	BEARING	1	1	
9	21933-85C90	C RING	1	1	
10	24271-85C00	WASHER	2	2	
11	09262-25073	BEARING, rear	1	1	
12	21933-85C10	CIRCLIP	1	1	
13	06111-06003	BALL	3	3	
14	21933-85C30	CIRCLIP	2	2	
15	09282-25006	SEAL, oil	1	1	
16	24211-60A01	GEAR, main shaft low (NT:36)	1	1	
17	21915-85C40	BEARING	1	1	
18	09300-30003	BUSH	1	1	
19	24220-85C00	GEAR, main shaft 2nd (NT:32)	1	1	
20	21915-85C40	BEARING	1	1	
21	24230-85C00	GEAR, main shaft 3rd (NT:29)	1	1	
22	21915-85C30	BEARING	1	1	
23	24250-85C00	GEAR, main shaft 5th (NT:25)	1	1	
24	24801-85810	BEARING 24 801-60810	1	1	SE-014/04
25	24255-60A00	WASHER	1	1	
26	24131-60A02	SHAFT, transmission counter (NT:15,25,32,35)	1	1	
27	21911-85C10	BEARING, front	1	1	
28	21933-85C30	CIRCLIP	1	1	
29	21921-85C00	BEARING, center	1	1	
30	09300-25028	BUSH	1	1	
31	09262-20073	BEARING, rear	1	1	
32	21933-85C00	CIRCLIP	1	1	

FIG. 22

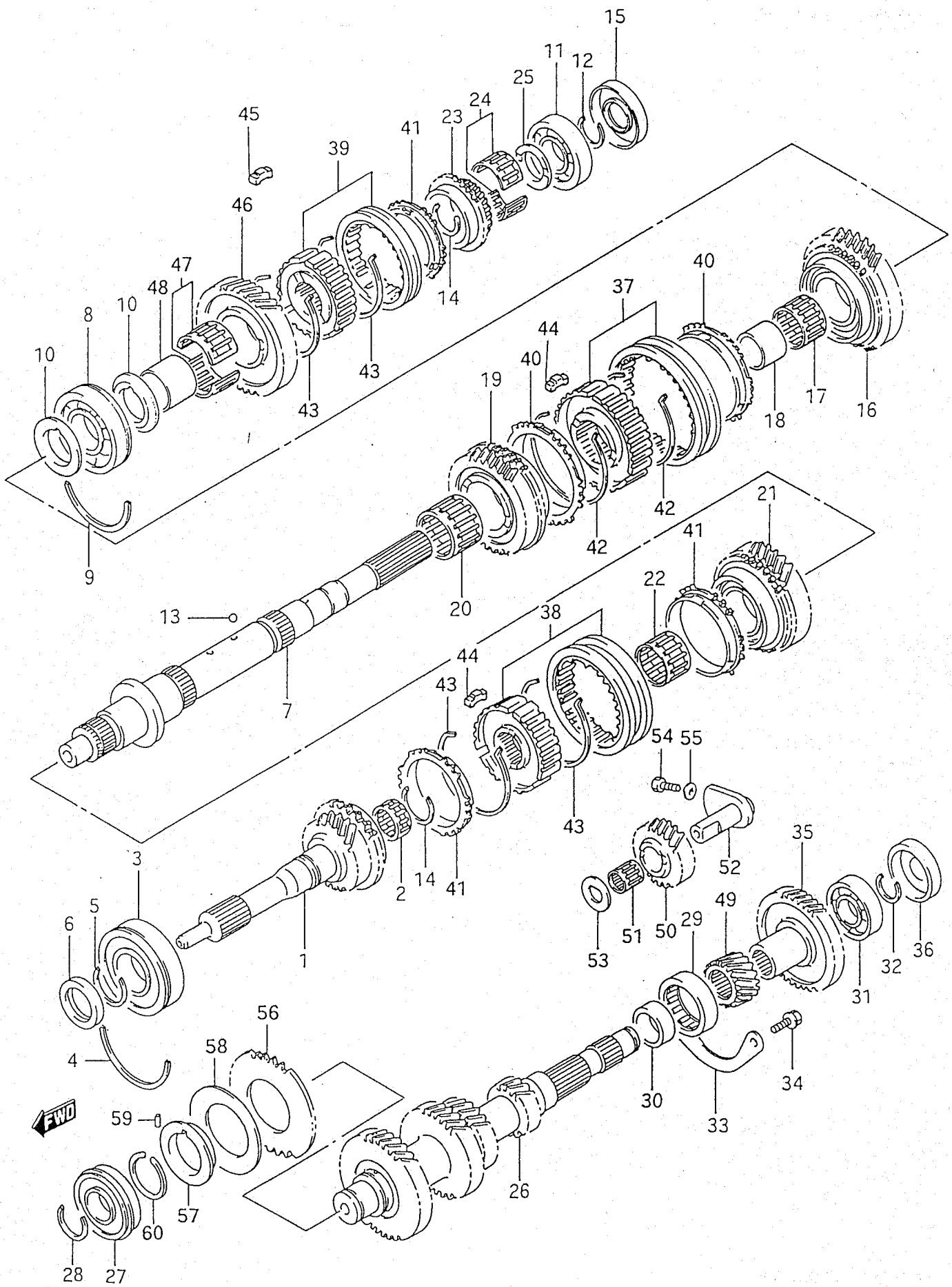


FIG.22 (D- 4) TRANSMISSION



REF.NO.	PART NO.	DESCRIPTION	Q'TY		REMARKS
			C	V	
33	24135-60A01	PLATE, bearing	1	1	
34	09117-06055	BOLT (6x16)	2	2	
35	24351-60A00	GEAR, counter shaft 5th (NT:44)	1	1	
36	21947-85C30	PLUG	1	1	
37	24400-60A00	HUB, SYNC low speed	1	1	
38	24410-60A00	HUB, SYNC high speed	1	1	
39	24420-60A00	HUB, SYNC REV	1	1	
40	24431-83001	RING, SYNC low speed	2	2	
41	24432-60A00	RING, SYNC high speed	3	3	
42	09388-00017	SPRING, low speed	2	2	
43	09388-00019	SPRING, high speed	4	4	
44	24471-60A00	KEY	6	6	
45	24473-70D10	KEY	3	3	
46	24681-60A00	GEAR, main shaft REV (NT:41)	1	1	
47	24801-60820	BEARING	1	1	
48	09300-30003	BUSH	1	1	
40	24671-60A00	GEAR, counter shaft REV (NT:17)	1	1	
50	24561-60A00	GEAR, REV idle (NT:23)	1	1	
51	09263-16025	BEARING	1	1	
52	24551-60A00	SHAFT, REV gear	1	1	
53	09166-16015	WASHER	1	1	
54	24565-60B00	BOLT	1	1	
55	21945-85C20	WASHER	1	1	
56	24137-60A10	GEAR, friction	1	1	
57	24138-85C00	RETAINER, friction gear	1	1	
58	24139-85C00	SPRING, friction gear	1	1	
59	09261-02010	PIN	1	1	
60	21933-85C60	SNAPRING	1	1	

FIG. 23

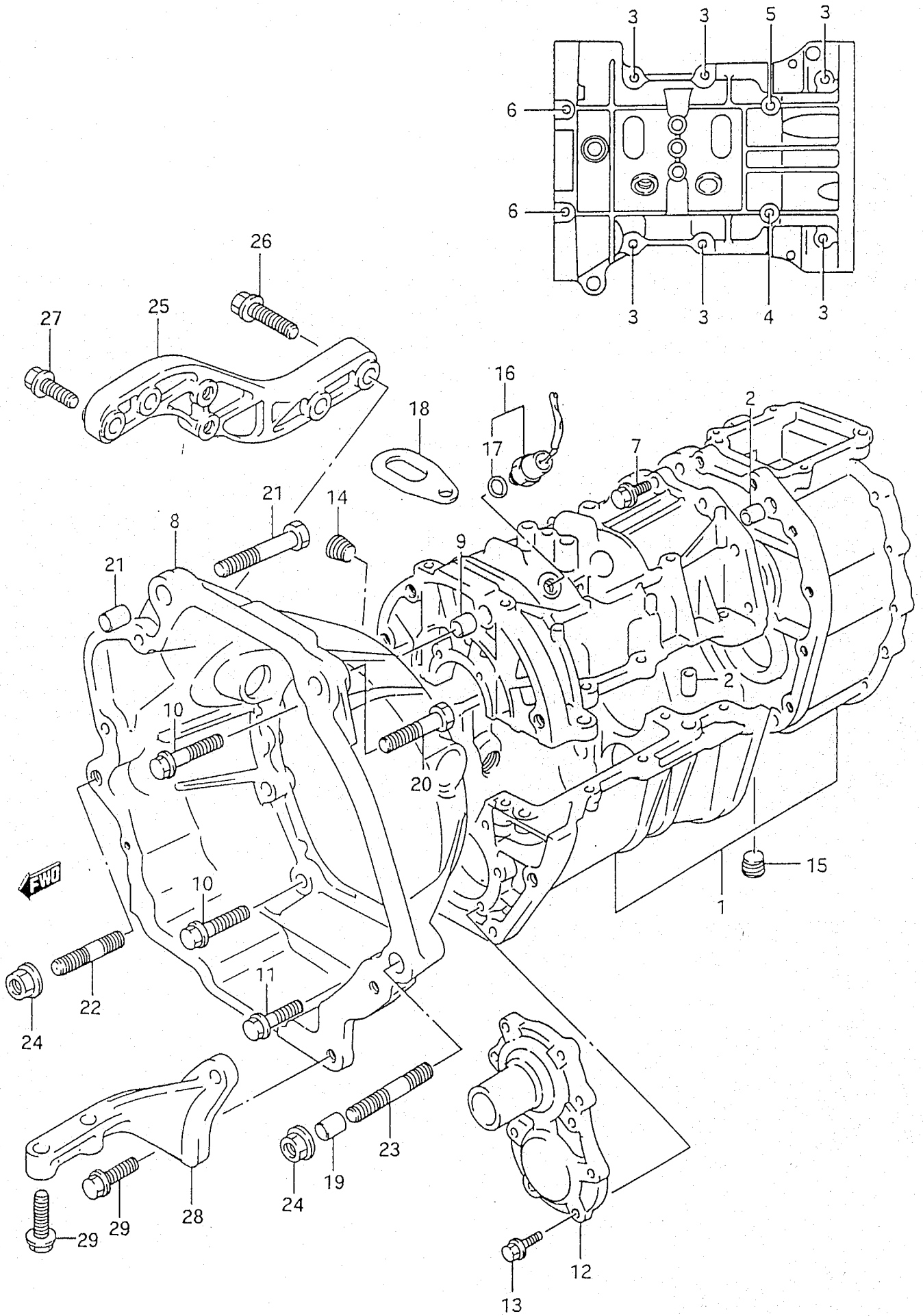


FIG.23 (D- 5) TRANSMISSION CASE

REF.NO.	PART NO.	DESCRIPTION	Q'TY		REMARKS
			C	V	
1	24700-60A01	CASE ASSY, transmission	1	1	
2	04211-13149	.PIN	4	4	
3	01550-08303	.BOLT	6	6	
4	01550-08953	.BOLT	1	1	
5	09103-08134	.BOLT (8x110)	1	1	
6	09103-08131	.BOLT (8x120)	2	2	
7	01550-08303	.BOLT	12	12	
8	21341-56B01	HOUSING, clutch	1	1	
9	04211-13149	PIN	2	2	
10	01550-10403	BOLT	6	6	
11	01550-10503	BOLT	2	2	
12	24741-60A01	RETAINER, input shaft bearing	1	1	
13	09103-08153	BOLT (8x30)	8	8	
14	21947-85C40	PLUG, oil filler & level	1	1	
15	21947-85C50	PLUG, oil drain	1	1	
16	37610-83001	SWITCH ASSY, back up lamp	1	1	
17	09280-11002	.O RING	1	1	
18	11851-73001	HOOK, engine	1	1	
19	09206-15001	PIN	2	2	
20	01550-12653	BOLT	1	1	
21	01550-12753	BOLT	1	1	
22	09108-12006	STUD BOLT	1	1	
23	09108-12007	STUD BOLT	1	1	
24	08316-10123	NUT	2	2	
25	24792-56B00	STIFFNER, RH	1	1	
26	01550-10403	BOLT	3	3	
27	01550-10353	BOLT	1	1	
28	24791-56B00	STIFFNER, LH	1	1	
29	01550-10353	BOLT	4	4	

FIG. 24

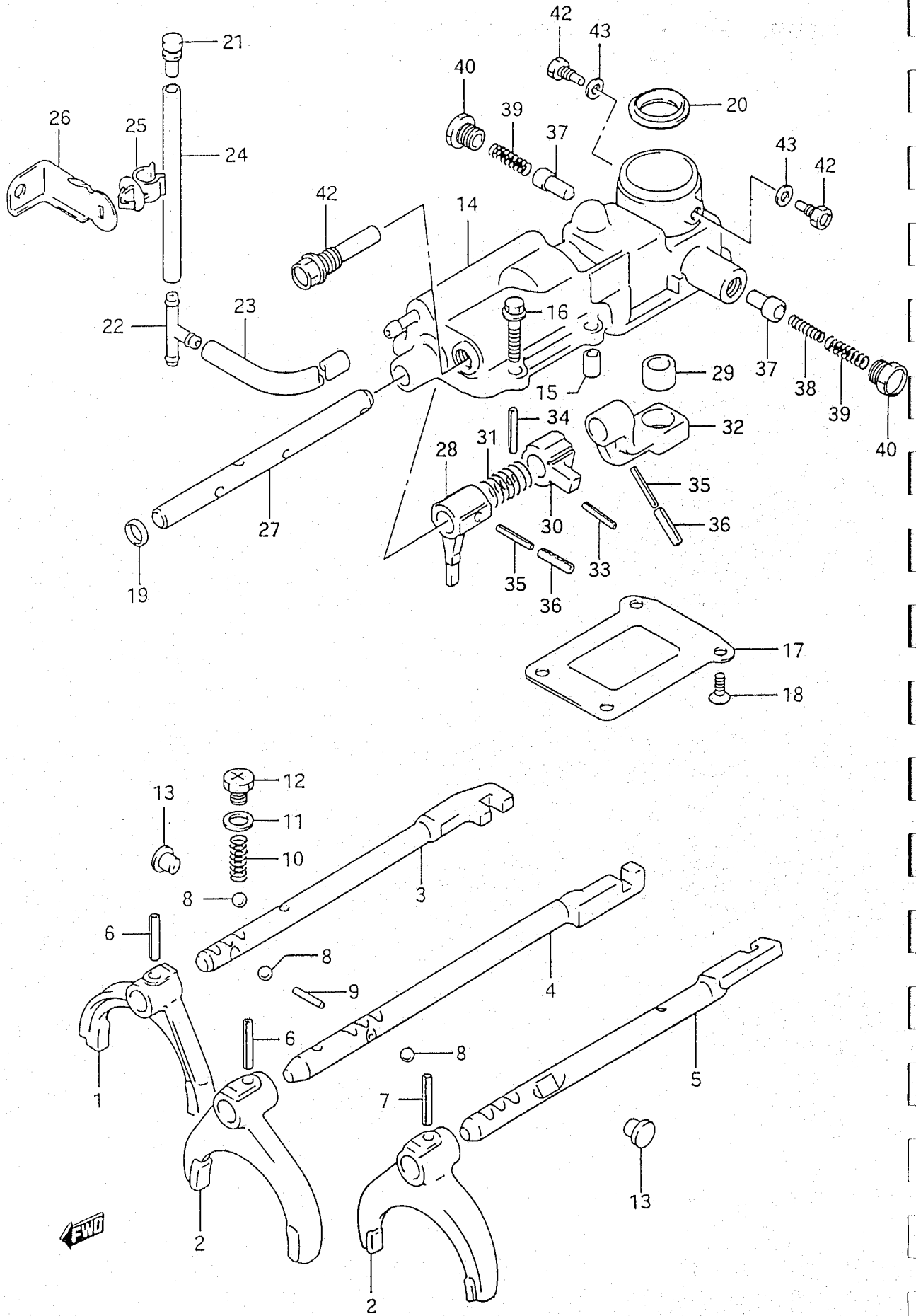


FIG.24 (D- 6) GEAR SHIFT FORK

REF.NO.	PART NO.	DESCRIPTION	Q'TY		REMARKS
			C	V	
1	25211-60A01	FORK, low speed gear shift	1	1	
2	25221-60A10	FORK, high & REV gear shift	2	2	
3	25410-60A00	SHAFT, low speed gear shift	1	1	
4	25420-60A10	SHAFT, high speed gear shift	1	1	
5	25450-60A00	SHAFT, REV gear shift	1	1	
6	09205-05012	SPRING PIN	2	2	
7	09205-05016	SPRING PIN	1	1	
8	06111-12004	BALL	5	5	
9	09261-03017	ROLLER	1	1	
10	25415-85C00	SPRING	3	3	
11	21945-85C30	WASHER	3	3	
12	09248-12005	SCREW	3	3	
13	09250-10006	PLUG	2	2	
14	25120-60A00	CASE, gear shift lever	1	1	
15	04211-09149	PIN	2	2	
16	01550-08253	BOLT	5	5	
17	25129-60A00	PLATE, gear shift case	1	1	
18	02122-06163	SCREW	4	4	
19	21947-85C10	PLUG	1	1	
20	28117-60A00	SEAT, case	1	1	
21	46543-85C00	BREATHER, mission	1	1	
22	09367-08004	UNION, 3way hose	1	1	
23	21931-85C10	HOSE, breather	1	1	
24	21931-85C00	HOSE, breather	1	1	
25	09403-11311	CLAMP, breather hose	1	1	
26	24831-60A00	BRACKET, hose clamp	1	1	
27	25521-60A11	SHAFT, gear shift	1	1	
28	25541-60A03	LEVER, gear shift	1	1	
29	25551-85C00	BUSH, lever	1	1	

FIG. 24

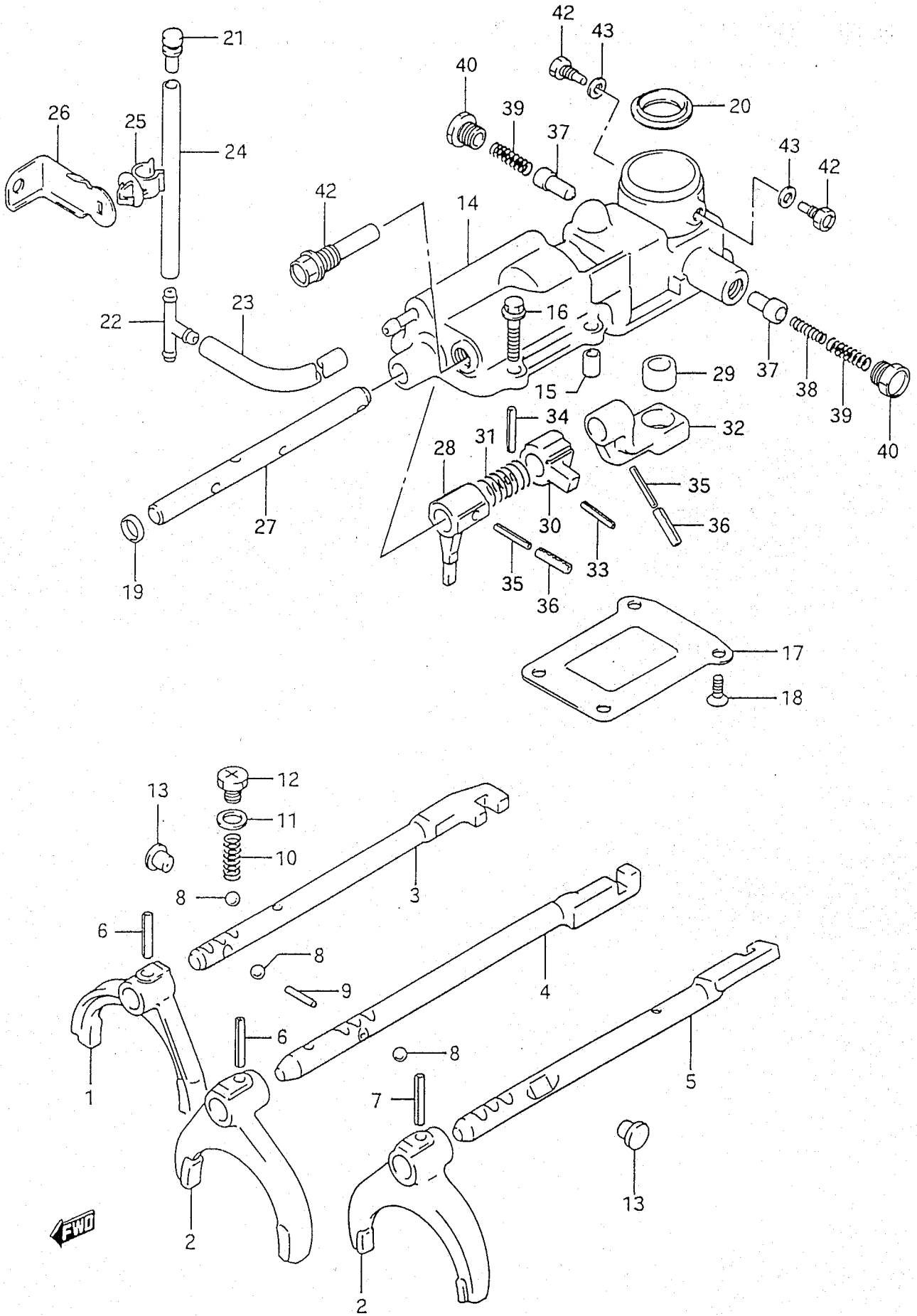
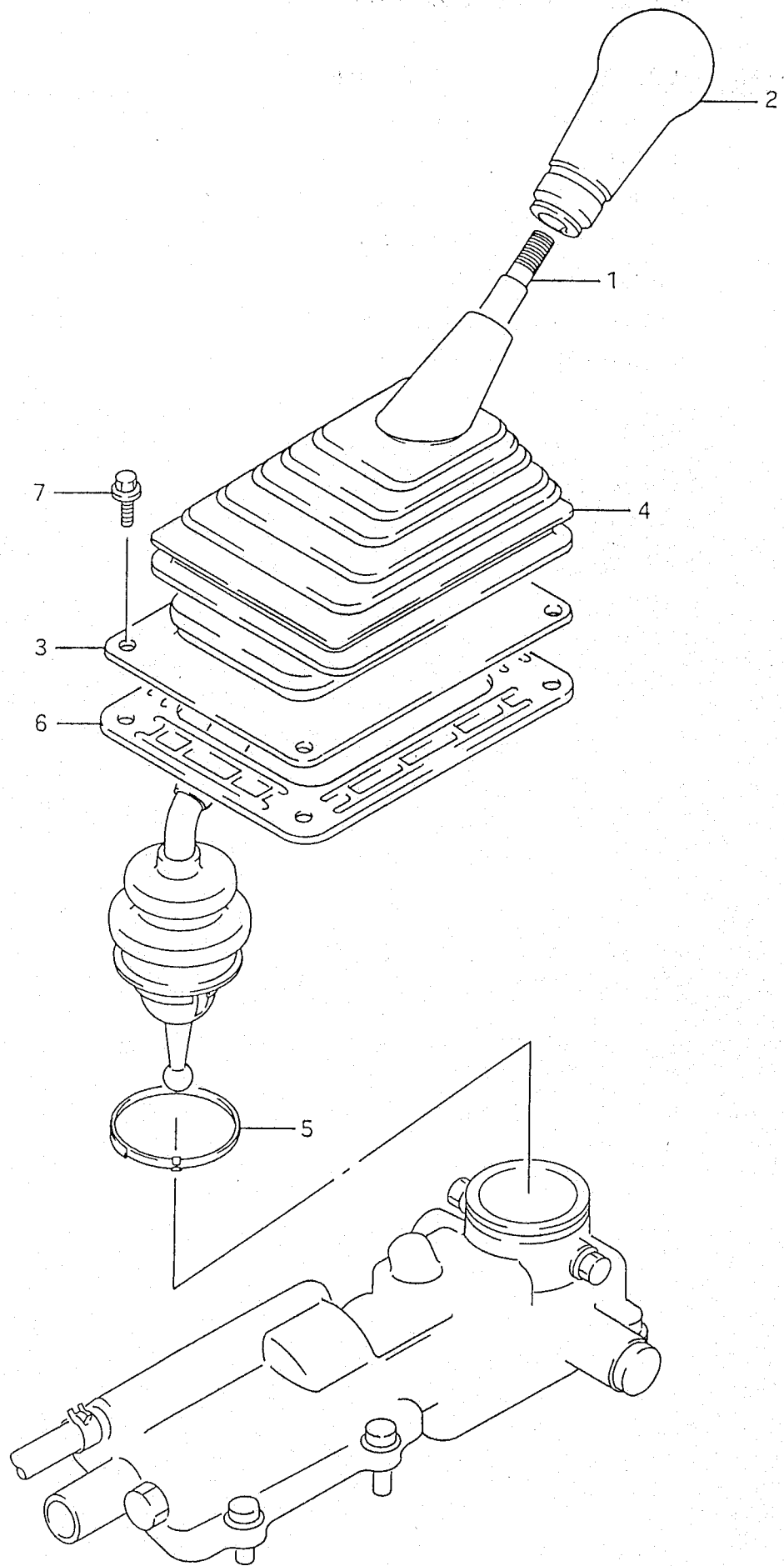


FIG.24 (D- 7) GEAR SHIFT FORK

REF.NO.	PART NO.	DESCRIPTION	Q'TY		REMARKS
			C	V	
30	25271-60A01	YOKE, gear shift LIM	1	1	
31	21935-85C10	SPRING	1	1	
32	25531-60A01	ARM, gear shift	1	1	
33	09205-05012	SPRING PIN	1	1	
34	09205-05015	SPRING PIN	1	1	
35	09205-03037	SPRING PIN, inner	2	2	
36	09205-06016	SPRING PIN, outer	2	2	
37	25341-80701	PIN, select guide	2	2	
38	09440-05037	SPRING, inner	1	1	
39	09440-08029	SPRING, outer	2	2	
40	21947-85C60	BOLT	2	2	
41	25281-60A02	BOLT, REV gear shift LIM	1	1	
42	21941-85C50	BOLT	2	2	
43	21945-85C00	LOCK WASHER	2	2	

FIG. 25



← FWD

FIG.25 (D- 8) GEAR SHIFT CONTROL

REF.NO.	PART NO.	DESCRIPTION	Q'TY		REMARKS
			C	V	
1	28101-60A02	LEVER, gear shift control	1	1	
2	28113-85C00	KNOB, control lever	1	1	
3	28136-60A10	BOOT, lever No.2	1	1	
4	28138-60A01	BOOT, lever No.3	1	1	
5	21935-85C00	CLAMP	1	1	
6	28137-60A01	COVER, boot	1	1	
7	01550-06123	BOLT	4	4	

FIG. 26

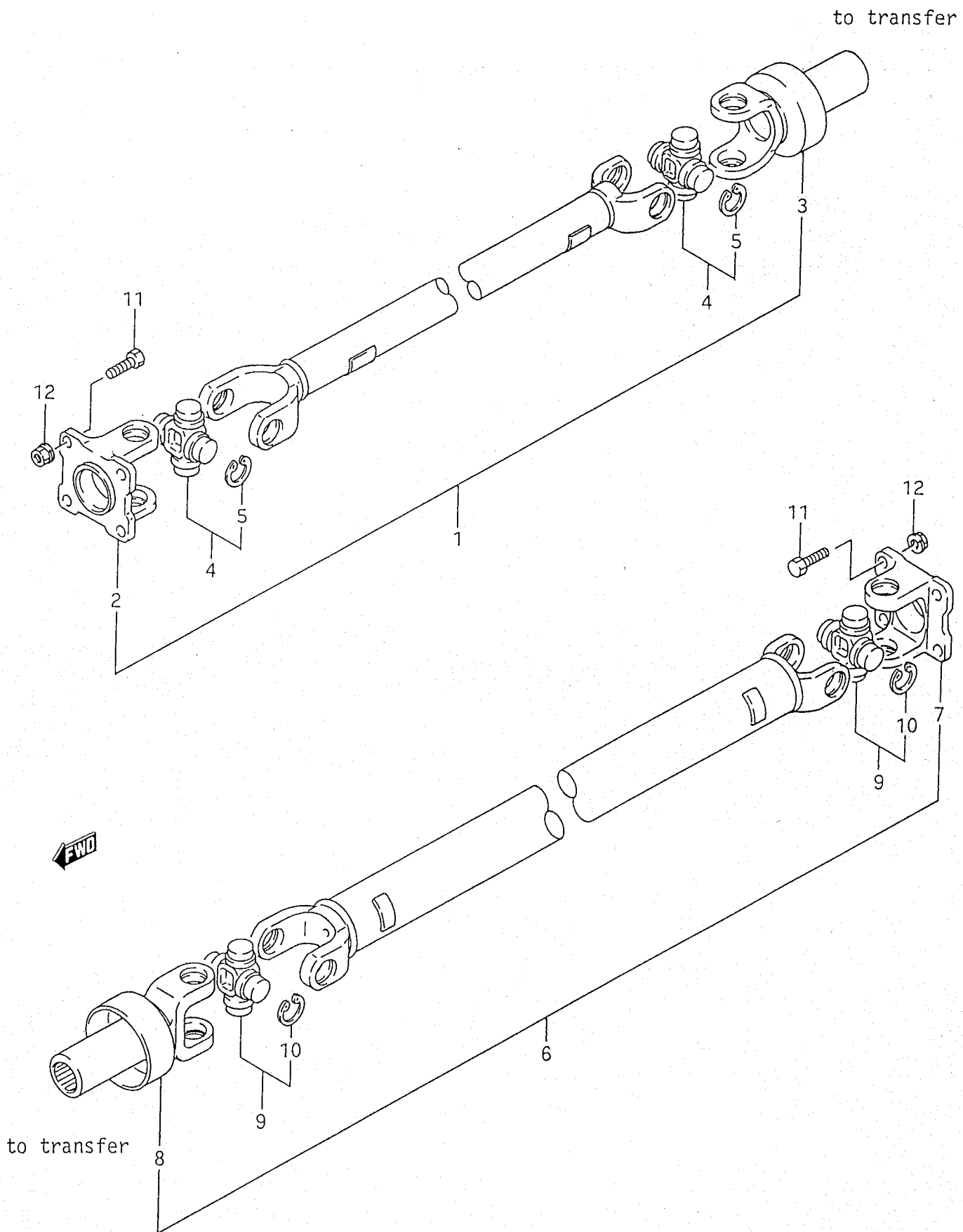


FIG.26 (D- 9) PROPELLER SHAFT

REF.NO.	PART NO.	DESCRIPTION	Q' TY		REMARKS
			C	V	
1	27101-85C00	SHAFT ASSY, propeller front	1	1	
2	27131-85C00	.YOKE, joint flange	1	1	
3	27140-85C00	.YOKE, sliding	1	1	
4	27200-85C00	.JOINT ASSY, universal	2	2	
5	27225-85C00	..CIRCLIP	8	8	
6	27102-85C00	SHAFT ASSY, propeller rear	1	1	
7	27131-85C00	.YOKE, joint flange	1	1	
8	27140-85C00	.YOKE, sliding	1	1	
9	27200-85C00	.JOINT ASSY, universal	2	2	
10	27225-85C00	..CIRCLIP	8	8	
11	01500-10303	BOLT	8	8	
12	09159-10090	NUT	8	8	

FIG. 27

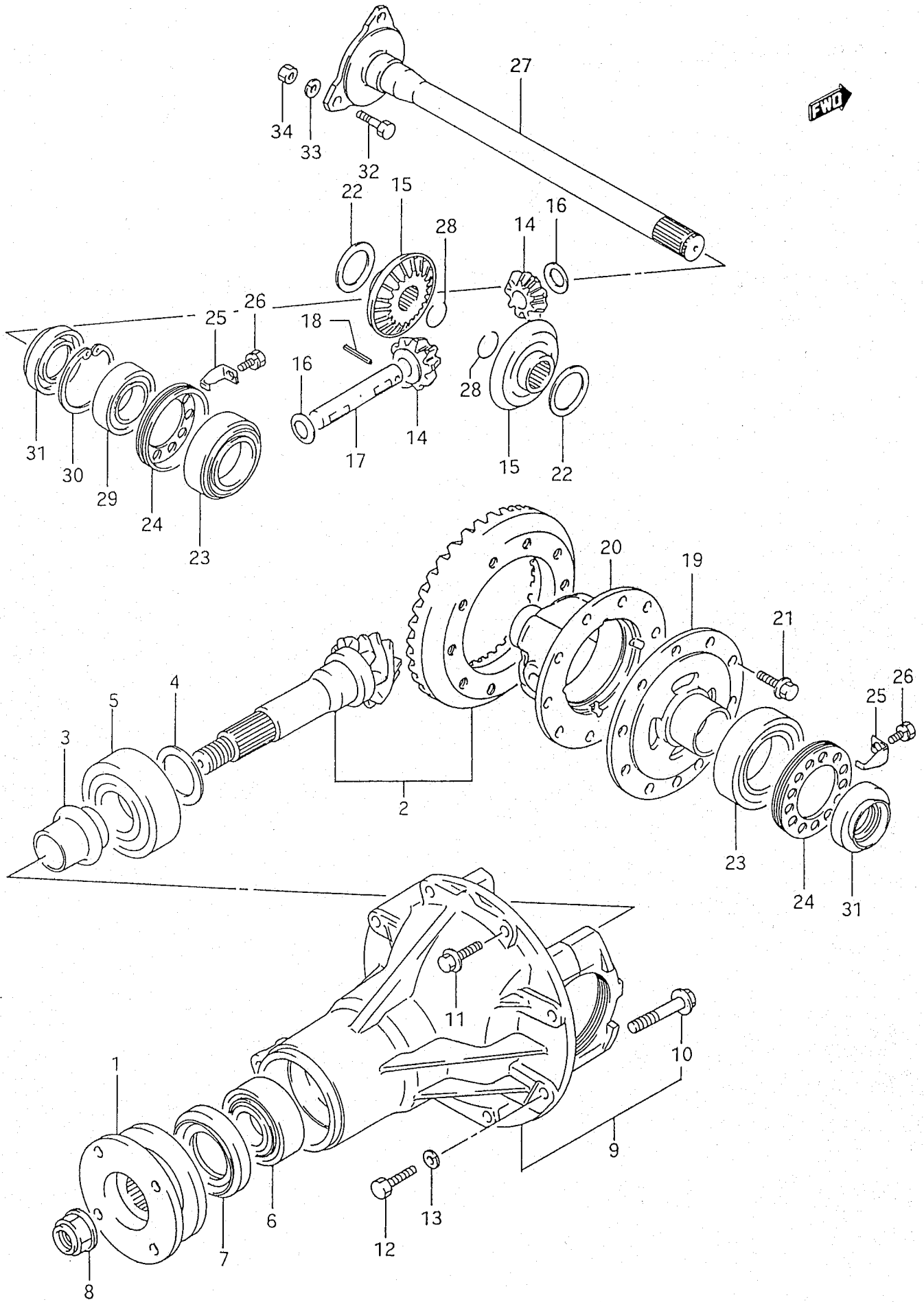


FIG.27 (D-10) FRONT DIFFERENTIAL GEAR

REF.NO.	PART NO.	DESCRIPTION	Q'TY		REMARKS
			C	V	
1	27110-56B01	FLANGE, universal joint	1	1	
2	27300-86810	BEVEL PINION & GEAR SET, front	1	1	
3	27315-60A01	SPACER, pinion	1	1	
4-1	09181-35023	SHIM, pinion (T:0.30)	AR	0~1	
4-2	09181-35016	SHIM, pinion (T:1.12)	AR	0~1	
4-3	09181-35018	SHIM, pinion (T:1.18)	AR	0~1	
4-4	09181-35020	SHIM, pinion (T:1.24)	AR	0~1	
4-5	09181-35022	SHIM, pinion (T:1.30)	AR	0~1	
5	21925-85C00	BEARING, pinion front	1	1	
6	21925-85C30	BEARING, pinion rear	1	1	
7	09283-40022	SEAL, pinion oil	1	1	
8	27375-60A00	NUT	1	1	
9	27450-85C00	CARRIER ASSY, DIFF front	1	1	
10	21941-85C30	.BOLT	4	4	
11	01550-08303	BOLT	6	6	
12	21941-85C60	BOLT	2	2	
13	09162-10008	LOCK WASHER	2	2	
14	27331-60A10	PINION, DIFF	2	2	
15	27341-60A01	GEAR, DIFF	2	2	
16	09164-15006	WASHER	2	2	
17	27351-64B20	SHAFT, DIFF pinion	1	1	
18	09205-05007	SPRING PIN	1	1	
19	27411-60A02	CASE, DIFF RH	1	1	
20	27421-60A02	CASE, DIFF LH	1	1	
21	21941-85C10	BOLT	10	10	
22-1	09160-35006	WASHER (T:0.9)	AR	0~2	
22-2	09160-35002	WASHER (T:1.0)	AR	0~2	
22-3	09160-35003	WASHER (T:1.1)	AR	0~2	
22-4	09160-35004	WASHER (T:1.2)	AR	0~2	
23	21925-85C60	BEARING, DIFF side	2	2	
24	27461-83000	ADJUSTER, bearing	2	2	
25	27462-63202	PLATE, bearing lock	2	2	
26	01550-08123	BOLT	2	2	

FIG. 27

END

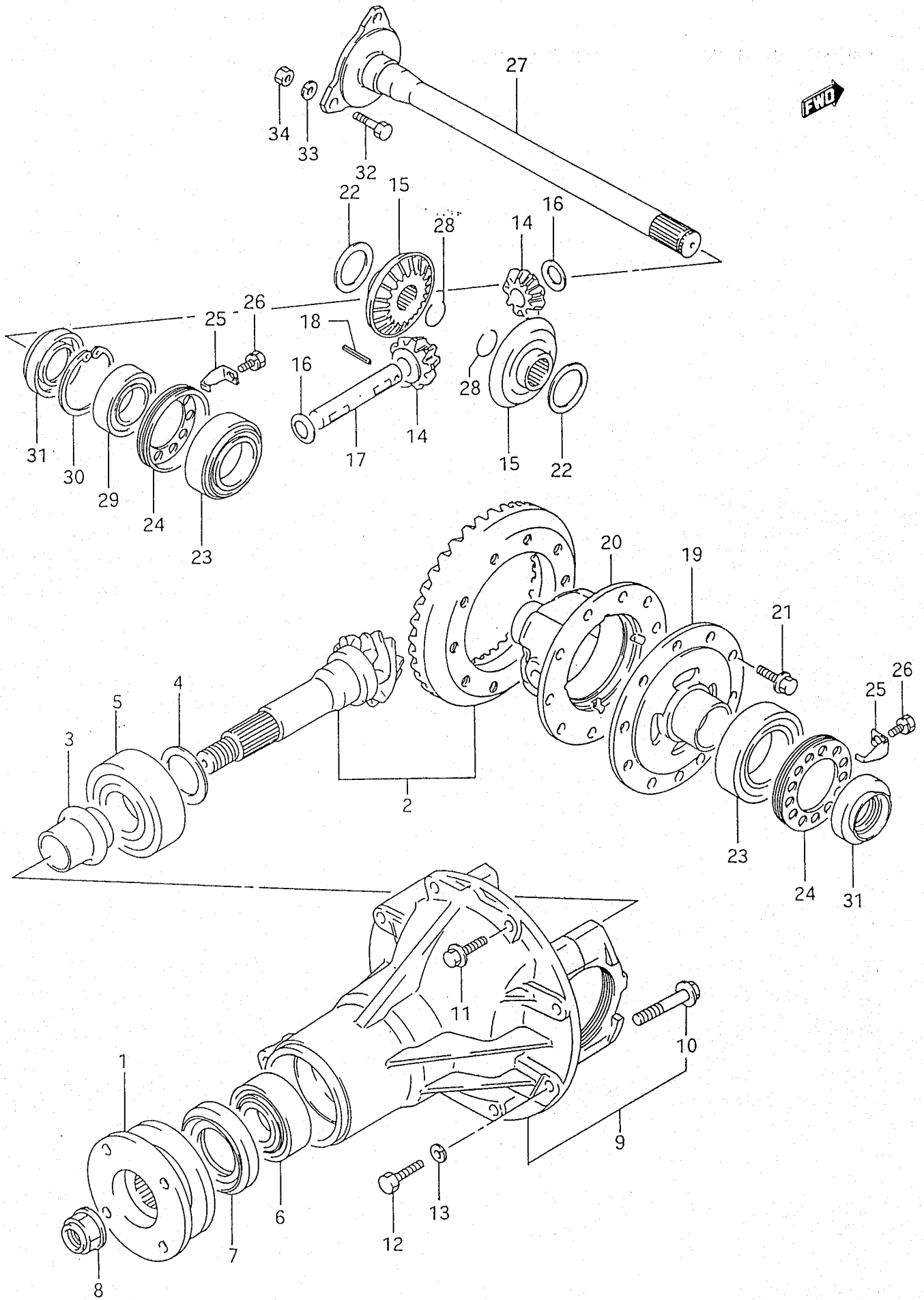


FIG.27 (D-11) FRONT DIFFERENTIAL GEAR

REF.NO.	PART NO.	DESCRIPTION	Q'TY		REMARKS
			C	V	
27	27471-60A02	SHAFT, front drive	1	1	
28	09381-24001	RING, snap	2	2	
29	08133-62067	BEARING	1	1	
30	08331-41626	CIRCLIP	1	1	
31	09283-35008	SEAL, oil	2	2	
32	21941-85C00	BOLT	3	3	
33	08321-01103	LOCK WASHER	3	3	
34	08310-00103	NUT	3	3	

FIG. 28

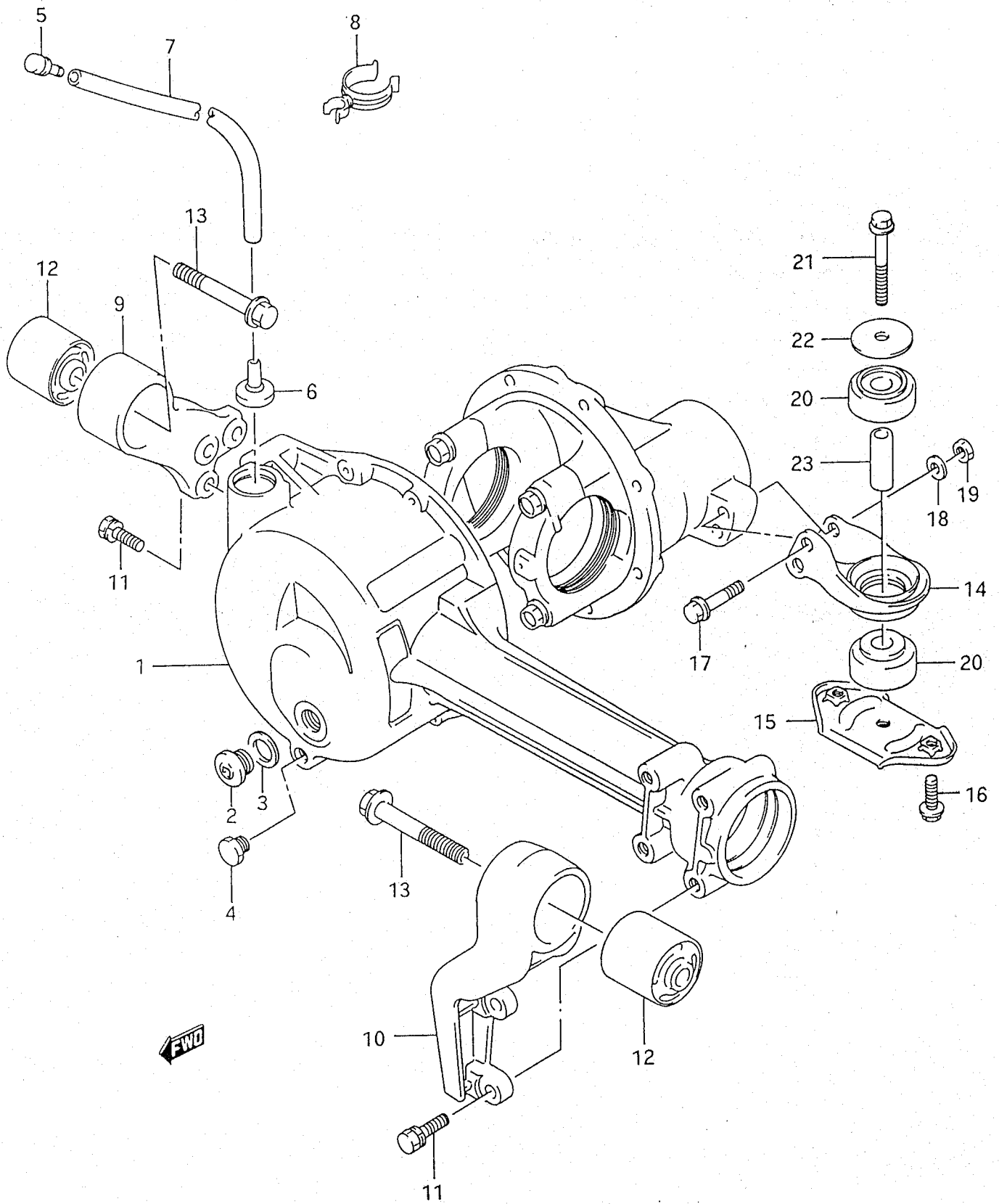


FIG.28 (D-12) FRONT DIFFERENTIAL HOUSING

REF.NO.	PART NO.	DESCRIPTION	Q'TY		REMARKS
			C	V	
1	27611-60A02	HOUSING, differential	1	1	
2	21947-85C70	PLUG, oil level	1	1	
3	09168-20001	GASKET, oil level	1	1	
4	21947-85C50	PLUG, oil drain	1	1	
5	46543-85C00	BREATHER, DIFF	1	1	
6	27620-85400	UNION, breather	1	1	
7	21931-85C20	HOSE, breather	1	1	
8	09408-00161	CLAMP, hose	2	2	
9	27661-60A01	BRACKET, DIFF mount front RH	1	1	
10	27665-60A00	BRACKET, DIFF mount front LH	1	1	
11	01570-10303	BOLT	7	7	
12	27550-60A00	MOUNTING, DIFF front	2	2	
13	09103-12033	BOLT (12x85)	2	2	
14	27670-60A00	BRACKET, DIFF mount rear No.1	1	1	
15	27675-60A01	BRACKET, DIFF mount rear No.2	1	1	
16	01570-10203	BOLT	2	2	
17	01550-10553	BOLT	2	2	
18	08321-01103	LOCK WASHER	2	2	
19	08310-00103	NUT	2	2	
20	27561-85C00	MOUNTING, DIFF rear	2	2	
21	01550-10653	BOLT	1	1	
22	09160-10104	WASHER (10.5x50x3.2)	1	1	
23	09180-10117	SPACER (10.9x17.3x46.8)	1	1	

FIG. 29

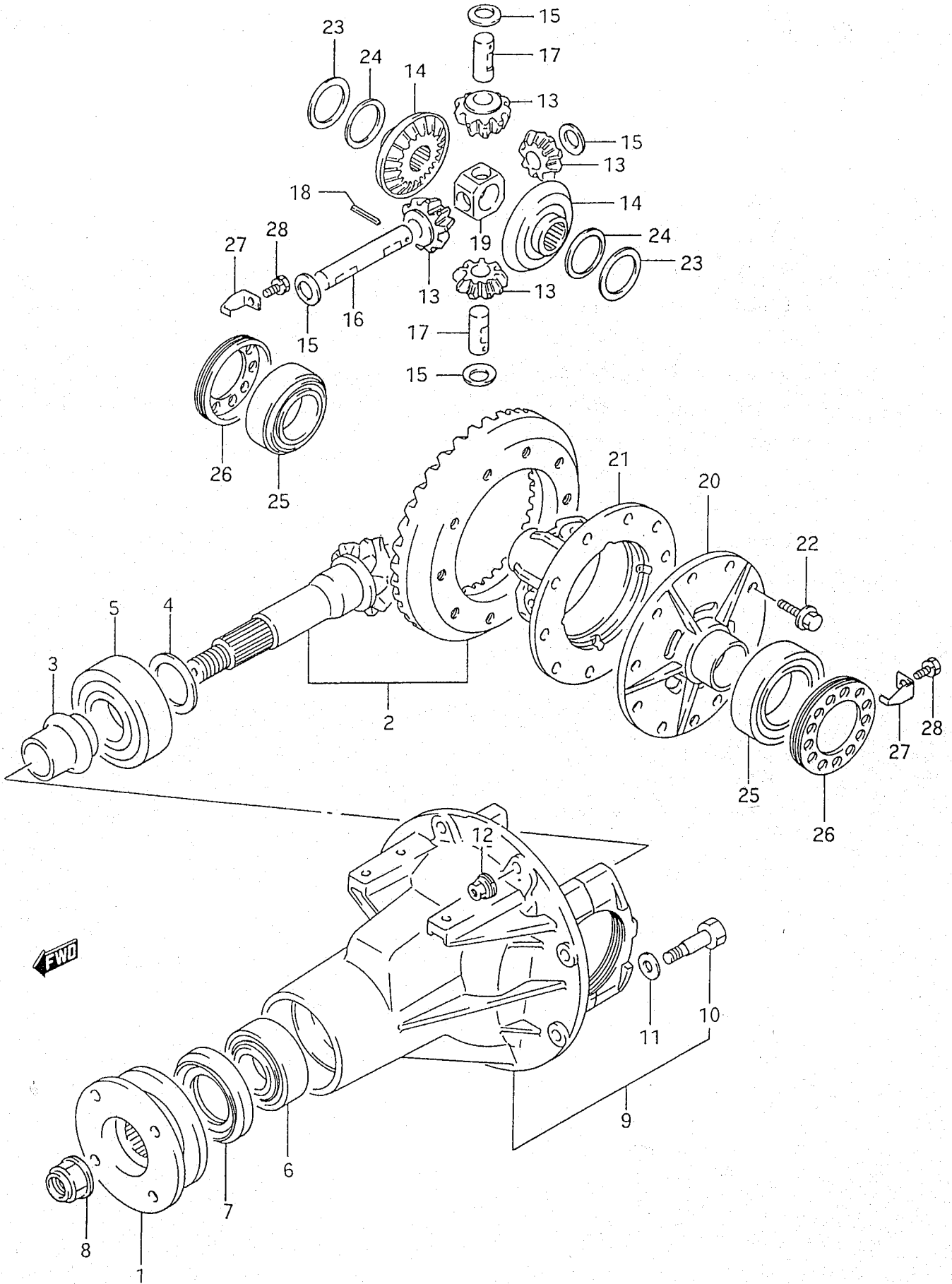


FIG.29 (D-13) REAR DIFFERENTIAL GEAR

REF.NO.	PART NO.	DESCRIPTION	Q'TY		REMARKS
			C	V	
1	27110-56B01	FLANGE, universal joint	1	1	
2	27300-86820	BEVEL PINION & GEAR SET, reart	1	1	
3	27315-60A01	SPACER, pinion	1	1	
4-1	09181-35023	SHIM, pinion (T:0.30)	AR	0~1	
4-2	09181-35016	SHIM, pinion (T:1.12)	AR	0~1	
4-3	09181-35018	SHIM, pinion (T:1.18)	AR	0~1	
4-4	09181-35020	SHIM, pinion (T:1.24)	AR	0~1	
4-5	09181-35022	SHIM, pinion (T:1.30)	AR	0~1	
5	21925-85C30	BEARING, pinion rear	1	1	
6	21925-85C00	BEARING, pinion front	1	1	
7	09283-40022	SEAL, pinion oil	1	1	
8	27375-60A00	NUT	1	1	
9	27450-85C50	CARRIER ASSY, DIFF rear	1	1	
10	21941-85C20	.BOLT	4	4	
11	08321-01123	.LOCK WASHER	4	4	
12	21943-85C00	NUT	8	8	
13	27331-60A10	PINION, DIFF	4	4	
14	27341-60A10	GEAR, DIFF	2	2	
15	09164-15006	WASHER	4	4	
16	27351-64B20	SHAFT, DIFF pinion No.1	1	1	
17	27355-60A01	SHAFT, DIFF pinion No.2	2	2	
18	09205-05007	SPRING PIN	3	3	
19	27356-86081	JOINT, pinion	1	1	
20	27411-60A21	CASE, DIFF LH	1	1	
21	27421-60A12	CASE, DIFF RH	1	1	
22	21941-85C10	BOLT	12	12	
23-1	09160-35015	WASHER, DIFF side (T:0.6)	AR	0~2	
23-2	09160-35014	WASHER, DIFF side (T:0.7)	AR	0~2	
23-3	09160-35013	WASHER, DIFF side (T:0.8)	AR	0~2	
24	21945-85C10	WASHER, DIFF gear spring	2	2	
25	21925-85C60	BEARING, DIFF side	2	2	
26	27461-83000	ADJUSTER, bearing	2	2	
27	27462-63202	PLATE, bearing lock	2	2	
28	01550-08123	BOLT	2	2	

SE416 E22 SANTANA

FIG. 30

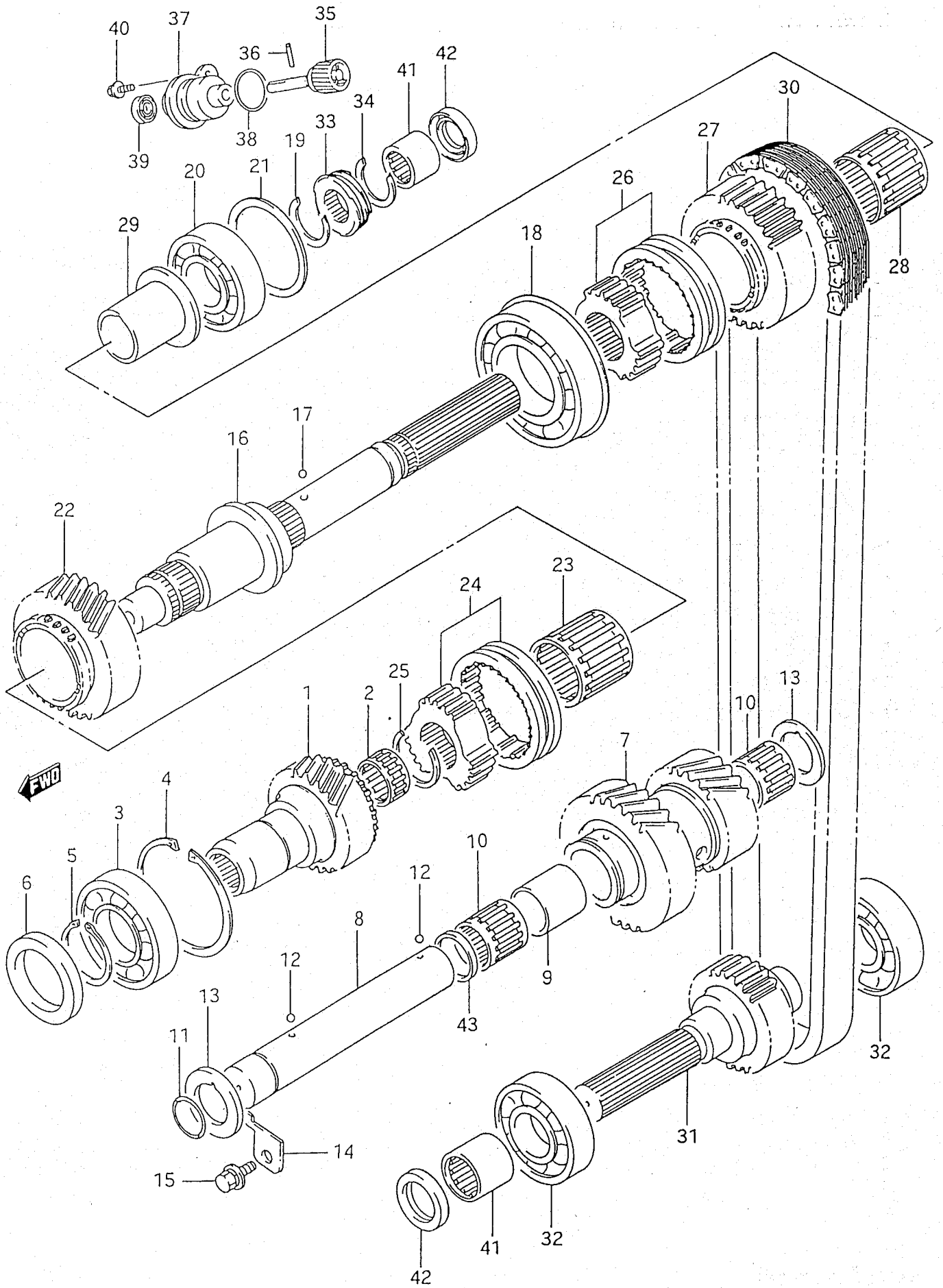


FIG. 30 (D-14) TRANSFER GEAR

REF.NO.	PART NO.	DESCRIPTION	Q'TY		REMARKS
			C	V	
1	29110-85C00	GEAR, input (NT:23)	1	1	
2	21915-85C60	BEARING	1	1	
3	21911-85C30	BEARING	1	1	
4	21933-85C70	CIRCLIP	1	1	
5	08331-31356	CIRCLIP	1	1	
6	09282-35002	SEAL, oil	1	1	
7	29121-85C00	GEAR, counter (NT:31/23)	1	1	
8	29131-60A02	SHAFT, counter	1	1	
9	09180-26004	SPACER (26x31x33.7)	1	1	
10	21915-85C10	BEARING	2	2	
11	09280-21008	O RING	1	1	
12	06111-06003	BALL	2	2	
13	09166-25012	WASHER	2	2	
14	29136-60A01	PLATE, shaft	1	1	
15	01570-08163	BOLT	1	1	
16	29141-60A00	SHAFT, output rear	1	1	
17	06111-06003	BALL	1	1	
18	08173-62100	BEARING	1	1	
19	21933-85C40	CIRCLIP	1	1	
20	09262-30077	BEARING	1	1	
21-1	09181-62003	SHIM, output shaft (T:0.1)	AR	0~1	
21-2	09181-62008	SHIM, output shaft (T:0.2)	AR	0~1	
21-3	09181-62004	SHIM, output shaft (T:0.3)	AR	0~1	
21-4	09181-62009	SHIM, output shaft (T:0.4)	AR	0~1	
21-5	09181-62005	SHIM, output shaft (T:0.5)	AR	0~1	

FIG. 30

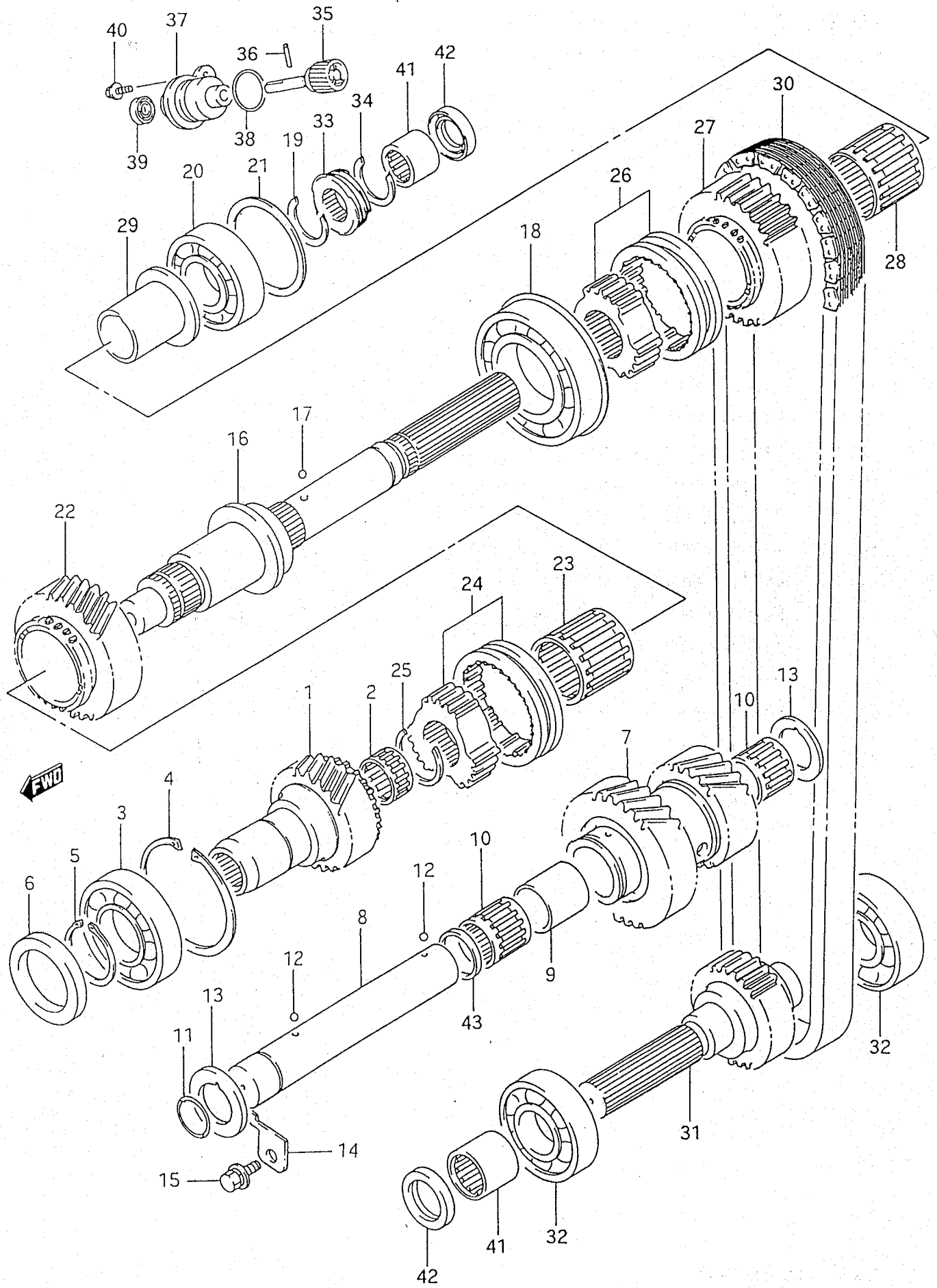


FIG. 30 (D-15) TRANSFER GEAR

REF.NO.	PART NO.	DESCRIPTION	Q'TY		REMARKS
			C	V	
22	29211-85C00	GEAR, output low (NT:31)	1	1	
23	21915-85C50	BEARING	1	1	
24	29230-60A00	HUB, reduction clutch	1	1	
25	21933-85C50	CIRCLIP	1	1	
26	29230-60A10	HUB, front drive clutch	1	1	
27	29221-60A00	SPROCKET, drive (NT:26)	1	1	
28	21915-85C50	BEARING	1	1	
29	29222-60A00	BUSH, sprocket	1	1	
30	29225-60A01	CHAIN, drive	1	1	
31	29151-60A00	SHAFT, output front (NT:26)	1	1	
32	09262-30077	BEARING	2	2	
33	29411-60A01	GEAR, speedometer drive (NT:5)	1	1	
34	21933-85C20	CIRCLIP	1	1	
35	29421-60A01	GEAR, speedometer driven	1	1	NT:19
36	09205-03022	SPRING PIN	1	1	
37	29431-60A00	CASE, speedometer driven gear	1	1	
38	09280-24009	O RING	1	1	
39	09282-07001	SEAL, oil	1	1	
40	01550-06163	BOLT	1	1	
41	09263-40006	BEARING, center & rear case	2	2	
42	09283-40021	SEAL, center & rear case oil	2	2	
43	29133-85C00	RING, friction	1	1	

FIG. 31

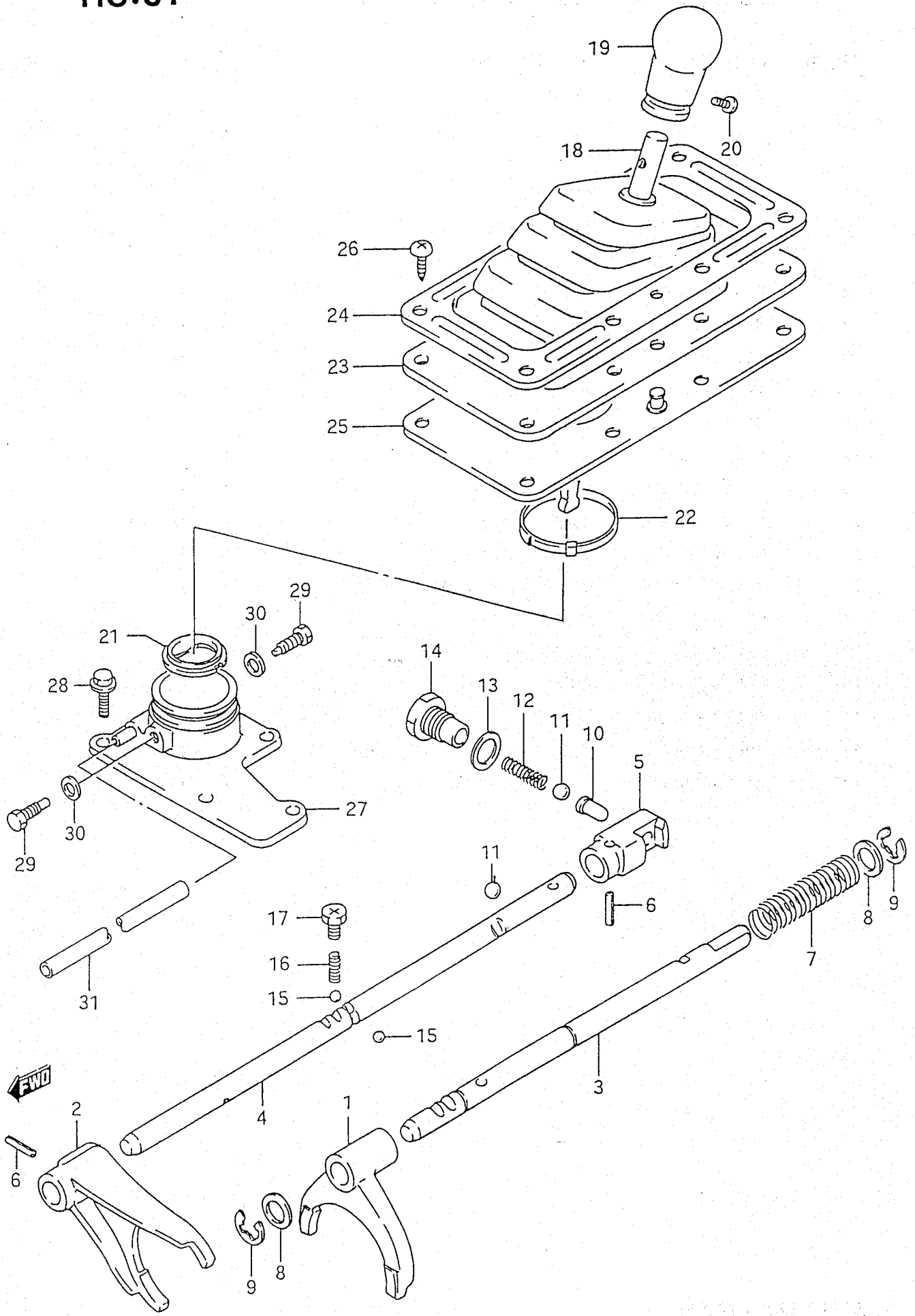


FIG.31 (E- 2) TRANSFER GEAR SHIFTING

REF.NO.	PART NO.	DESCRIPTION	Q'TY		REMARKS
			C	V	
1	29311-60A01	FORK, front drive shift	1	1	
2	29321-60A10	FORK, reduction shift	1	1	
3	29331-60A00	SHAFT, front drive shift	1	1	
4	29332-60A00	SHAFT, reduction shift	1	1	
5	29339-60A00	YOKE, reduction shift	1	1	
6	09205-05012	SPRING PIN	2	2	
7	09440-19020	SPRING	1	1	
8	08211-14221	WASHER	2	2	
9	08332-11126	E RING	2	2	
10	29334-60A10	PIN, select return	1	1	
11	06111-12004	BALL	2	2	
12	09440-10033	SPRING, select return	1	1	
13	09160-18018	WASHER (18x24x2)	1	1	
14	21941-85C40	BOLT	1	1	
15	06111-10003	BALL	3	3	
16	29415-85C00	SPRING, locating	2	2	
17	09128-10002	SCREW	2	2	
18	29300-60A13	LEVER, gear shift control	1	1	
19	29344-85C00	KNOB, lever	1	1	
20	02112-06123	SCREW	1	1	
21	29535-60A00	SEAT, lever	1	1	
22	21935-85C00	CLAMP	1	1	
23	29346-60A20	BOOT, lever	1	1	
24	29347-56B00	COVER, boot	1	1	
25	29349-60A10	SHEET, T/F gear shift lever	1	1	
26	03141-06203	SCREW	6	6	
27	29750-60A00	CASE, lever	1	1	
28	01550-08203	BOLT	5	5	
29	21941-85C50	BOLT, lever locating	2	2	
30	21945-85C00	LOCK WASHER	2	2	
31	21931-85C30	HOSE, breather	1	1	

FIG. 32

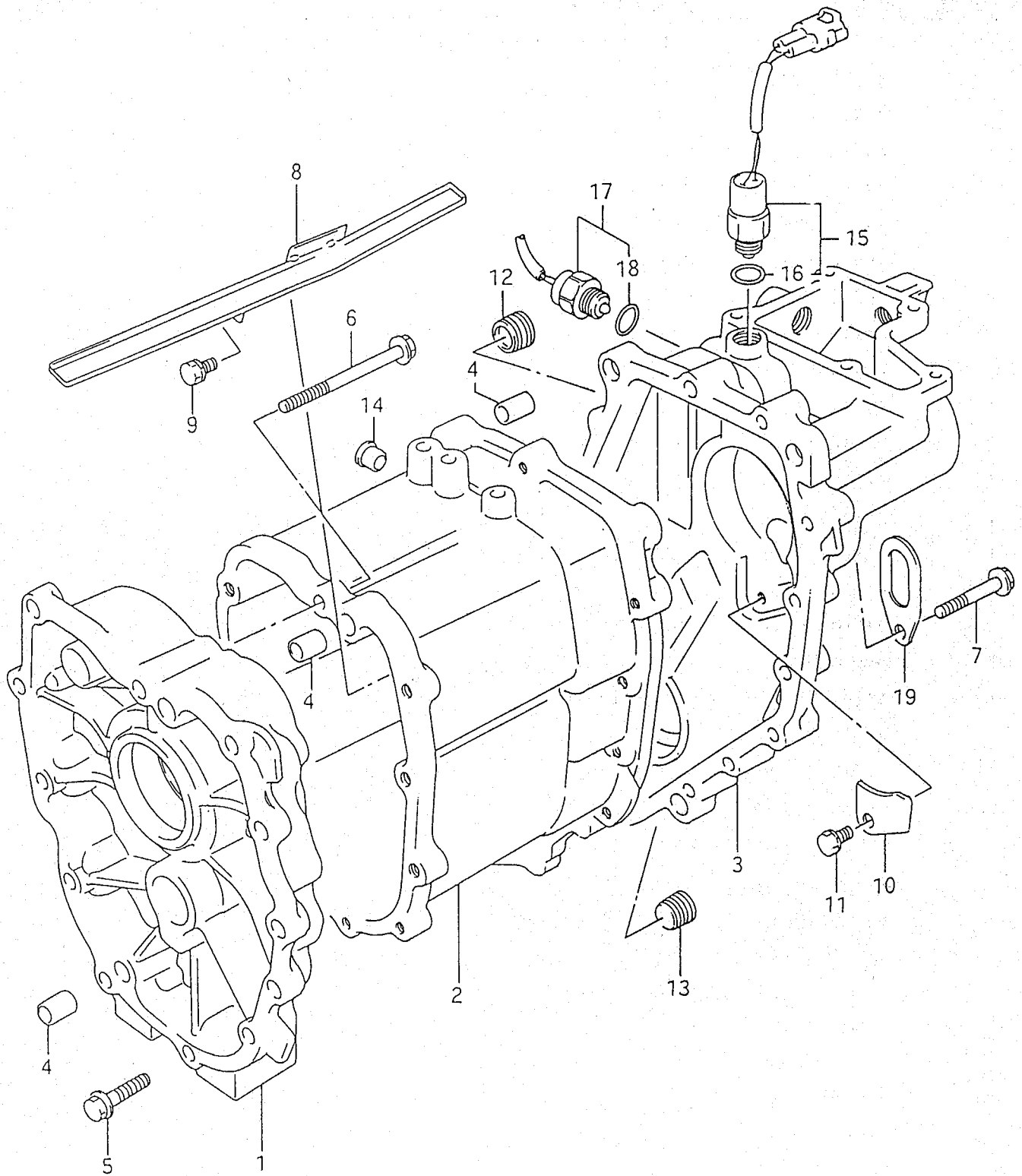


FIG.32 (E- 3) TRANSFER CASE

REF.NO.	PART NO.	DESCRIPTION	Q'TY		REMARKS
			C	V	
1	29511-60A01	CASE, transfer front	1	1	
2	29521-60A01	CASE, transfer center	1	1	
3	29531-60A02	CASE, transfer rear	1	1	
4	09206-13011	PIN, case	6	6	
5	01550-08303	BOLT	20	20	
6	01550-08803	BOLT	1	1	
7	01550-08453	BOLT	15	15	
8	29528-60A00	GUTTER, center case	1	1	
9	09117-06054	BOLT (6x12)	1	1	
10	29536-60A00	PLATE, rear case	1	1	
11	09117-06054	BOLT (6x12)	1	1	
12	21947-85C40	PLUG, oil level & filler	1	1	
13	21947-85C50	PLUG, oil drain	1	1	
14	21947-85C80	PLUG, locating	1	1	
15	37680-60A01	SWITCH ASSY, 4 wheel drive	1	1	
16	09280-11002	.O RING	1	1	
17	37680-60A10	SWITCH ASSY, 4WD low	1	1	
18	09280-11002	.O RING	1	1	
19	11851-73001	HOOK, engine	1	1	

FIG. 33

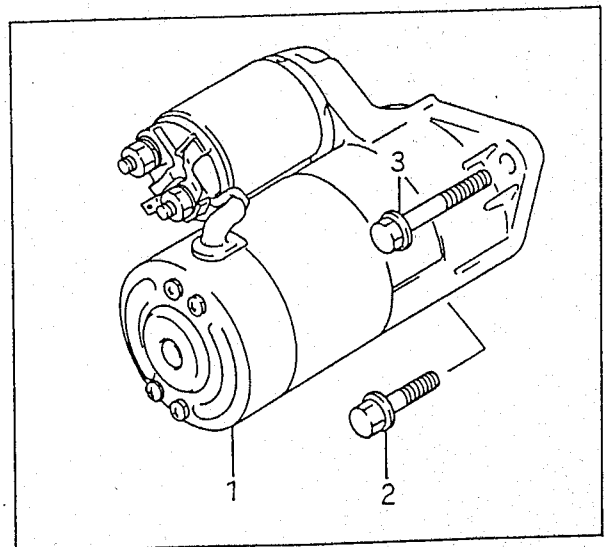
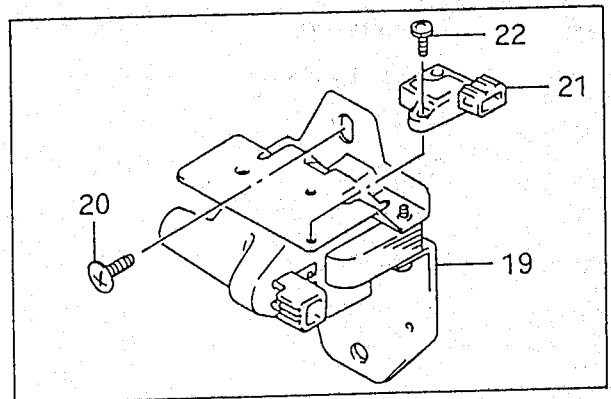
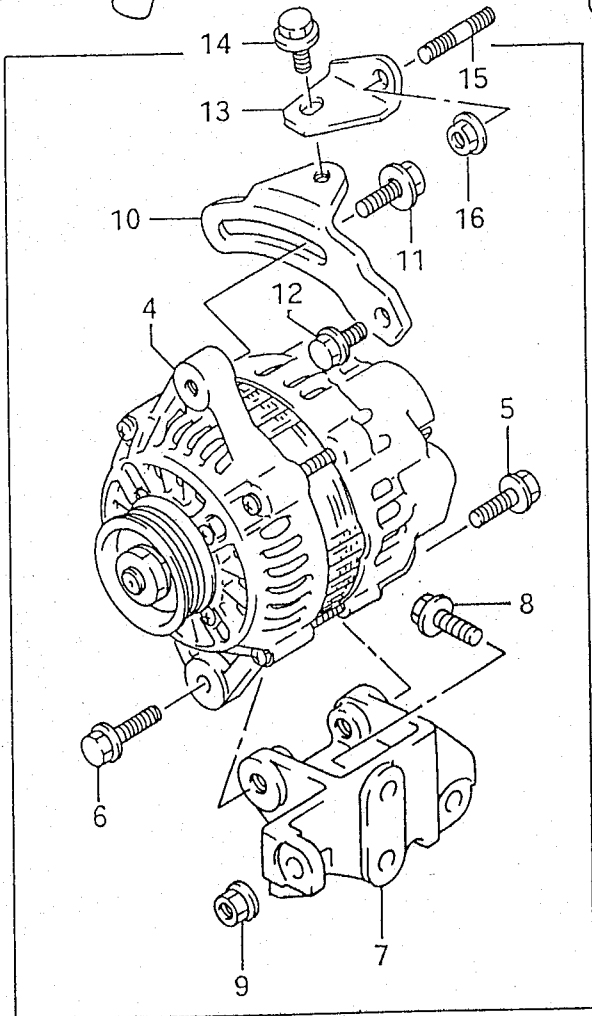
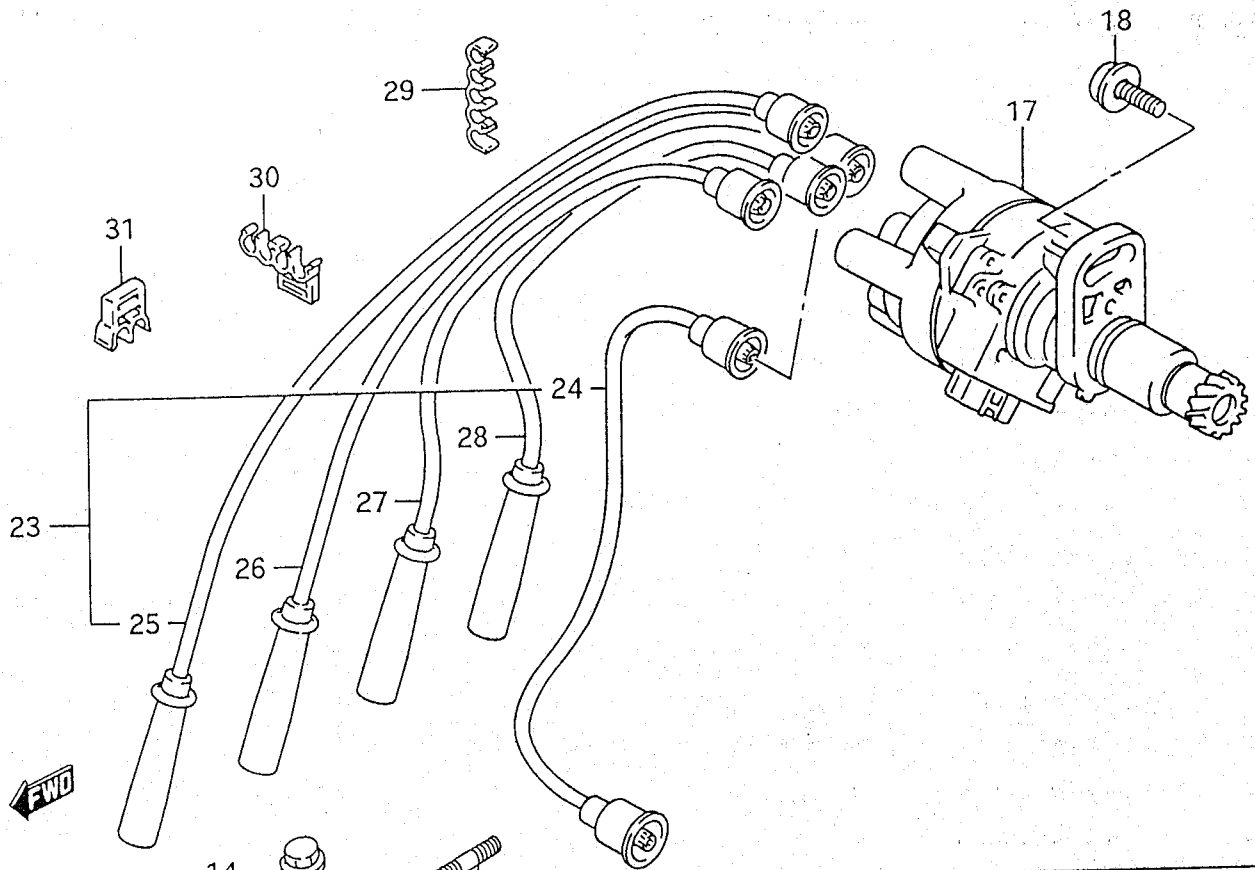
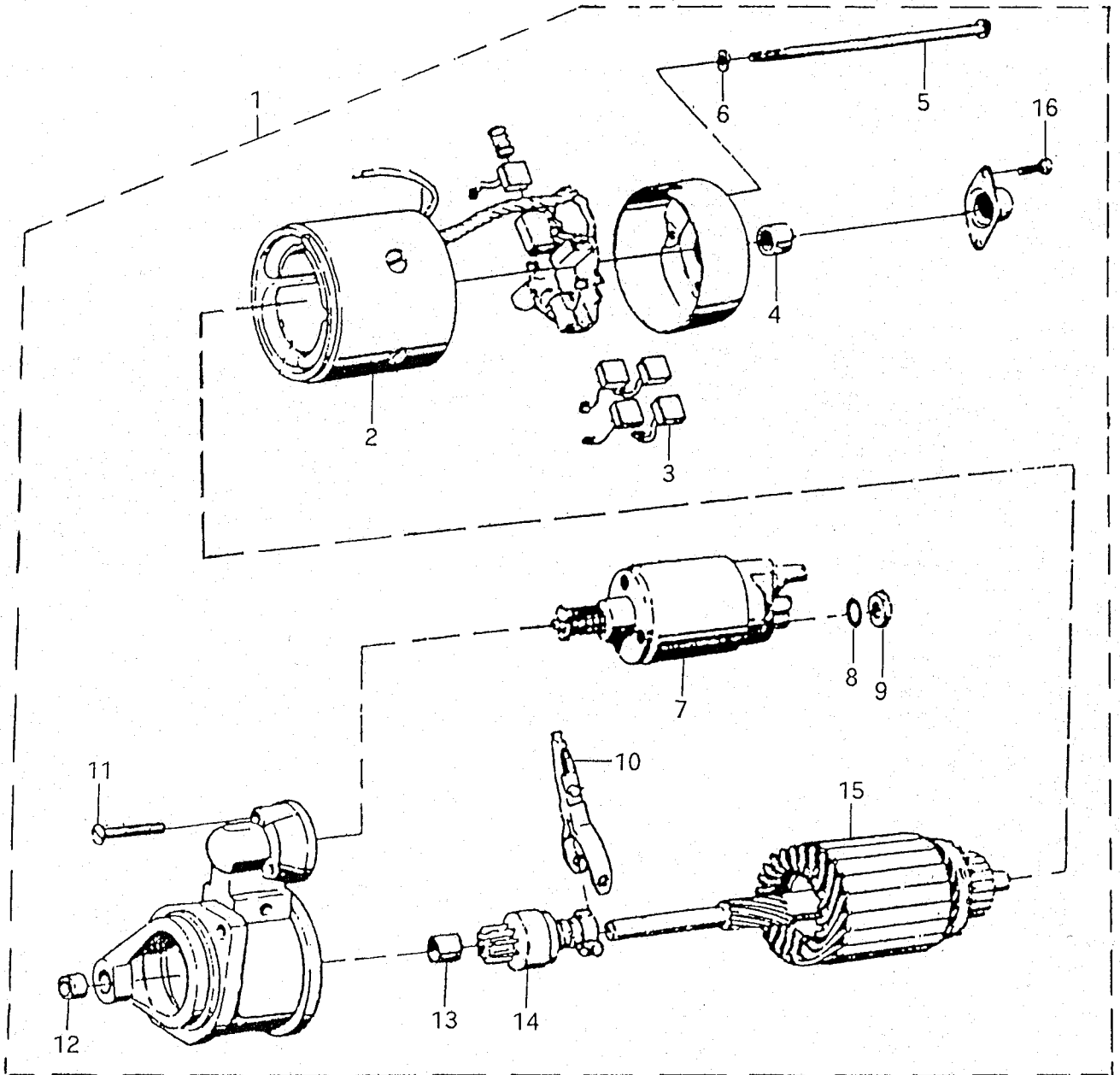


FIG. 33 (E- 4) ENGINE ELECTRICAL

REF.NO.	PART NO.	DESCRIPTION	Q'TY		REMARKS
			C	V	
1	31100-85C00	MOTOR ASSY, starting	1	1	
2	01550-08353	BOLT	1	1	
3	01550-08503	BOLT	1	1	
4	31400-85C00	GENERATOR ASSY	1	1	
5	01550-08303	BOLT	1	1	
6	01550-08353	BOLT	1	1	
7	17911-56B00	BRACKET, generator	1	1	
8	01550-08253	BOLT	3	3	
9	08316-10083	NUT	1	1	
10	17921-56B00	ARM, generator adjusting	1	1	
11	09118-08107	BOLT (8x25)	1	1	
12	01550-08203	BOLT	1	1	
13	17926-56B00	REINFORCEMENT	1	1	
14	01550-08163	BOLT	1	1	
15	01421-08163	STUD BOLT	1	1	
16	08316-10083	NUT	1	1	
17	33100-56B11	DISTRIBUTOR ASSY	1	1	
18	09138-08003	SCREW (8x30)	1	1	
19	33410-56B10	COIL ASSY, ignition	1	1	
20	09129-06002	SCREW	2	2	
21	33370-54A50	IGNITER ASSY	1	1	
22	33435-54A50	SCREW	2	2	
23	33700-85C00	CORD SET, high tension	1	1	
24	33710-85C00	.CORD, high tension No.1	1	1	
25	33730-85C00	.CORD, high tension No.2	1	1	
26	33740-85C00	.CORD, high tension No.3	1	1	
27	33750-85C00	.CORD, high tension No.4	1	1	
28	33760-85C00	.CORD, high tension No.5	1	1	
29	33883-83020	CLAMP, high tension cord	1	1	
30	33884-86510	CLAMP, high tension cord	1	1	
31	33882-60A10	CLAMP, high tension cord	2	2	

FIG. 34

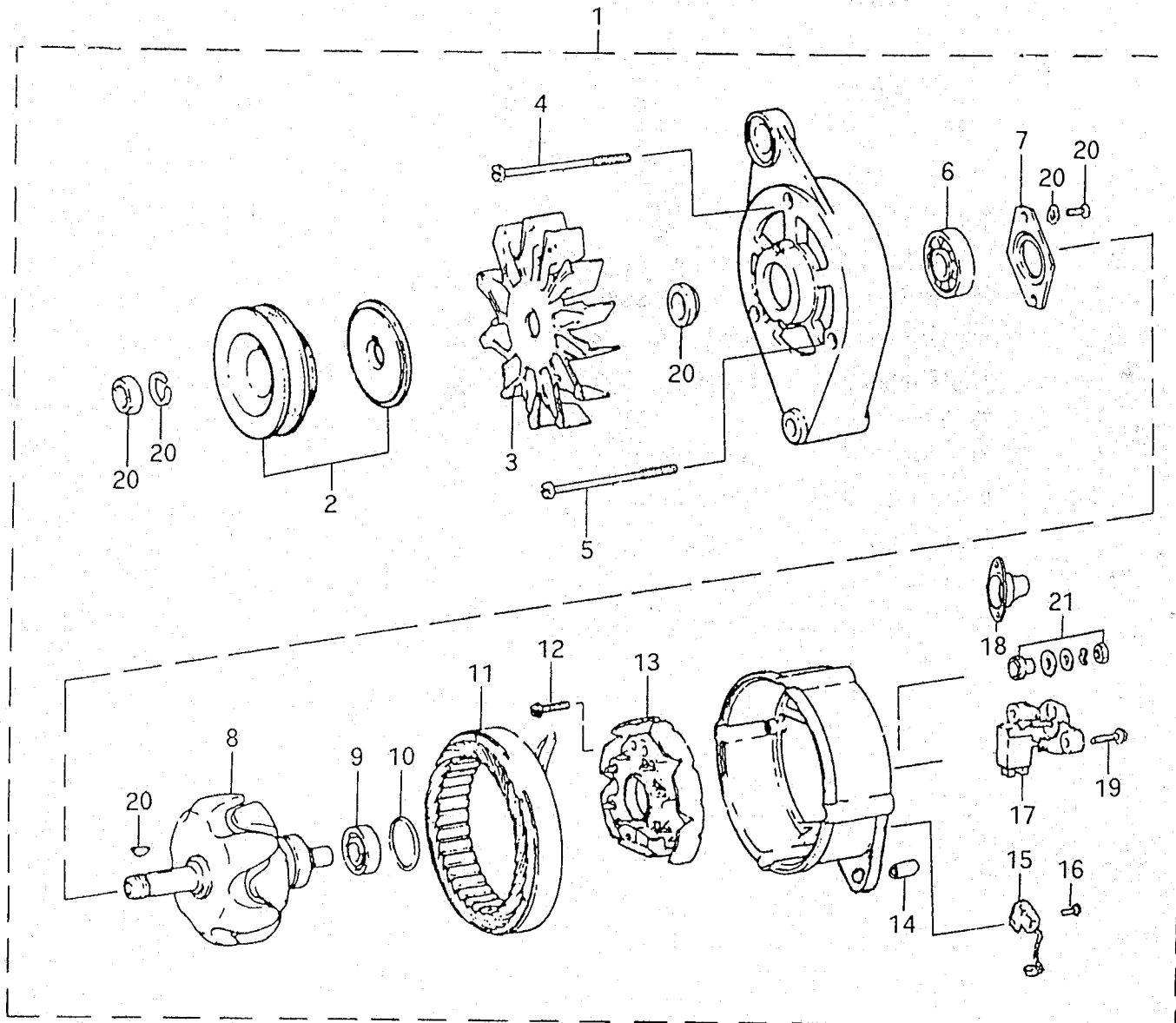


← FWD

FIG. 34 (E- 5) STARTING MOTOR

REF.NO.	PART NO.	DESCRIPTION	Q'TY		REMARKS
			C	V	
1	31100-85C00	MOTOR ASSY, starting	1	1	
2	31110-85C00	.YOKE ASSY	1	1	
3	31131-85C00	.BRUSH ASSY	1	1	
4	31172-85C00	.BUSH	1	1	
5	31261-85C00	.SCREW	2	2	
6	31361-85C00	.WASHER	2	2	
7	31220-85C00	.SWITCH ASSY	1	1	
8	08321-01083	.LOCK WASHER	1	1	
9	08310-00083	.NUT	1	1	
10	31191-85C00	.LEVER	1	1	
11	31136-85C00	.SCREW	3	3	
12	31152-85C00	.CUSH	1	1	
13	31152-85C10	.BUSH	2	2	
14	31320-85C00	.CLUTCH ASSY	1	1	
15	31311-85C00	.ARMATURE	1	1	
16	31136-85C10	.SCREW	2	2	

FIG. 35



← FWD

FIG.35 (E- 6) GENERATOR

REF.NO.	PART NO.	DESCRIPTION	Q'TY		REMARKS
			C	V	
1	31400-85C00	GENERATOR ASSY	1	1	
2	31171-85C00	.PULLEY	1	1	
3	31761-85C00	.FAN	1	1	
4	31651-85C00	.BOLT	1	1	
5	31651-85C10	.BOLT	3	3	
6	31582-85C00	.BEARING	1	1	
7	31585-85C00	.PLATE, bearing	1	1	
8	31710-85C00	.ROTOR ASSY	1	1	
9	31612-85C00	.BEARING	1	1	
10	31583-85C00	.BUSH	1	1	
11	31410-85C00	.STATOR ASSY	1	1	
12	31586-85C00	.SCREW	3	3	
13	31621-85C00	.RECTIFIER ASSY	1	1	
14	31616-85C00	.BUSH	1	1	
15	31641-85C00	.CONDENSOR	1	1	
16	31586-85C10	.SCREW	1	1	
17	32500-85C00	.REGULATOR ASSY	1	1	
18	31791-85C00	.CONNECTOR	1	1	
19	31586-85C20	.SCREW	2	2	
20	31775-85C00	.PARTS SET, rotor	1	1	
21	31514-85C00	.PARTS SET, insulator	1	1	

FIG. 36

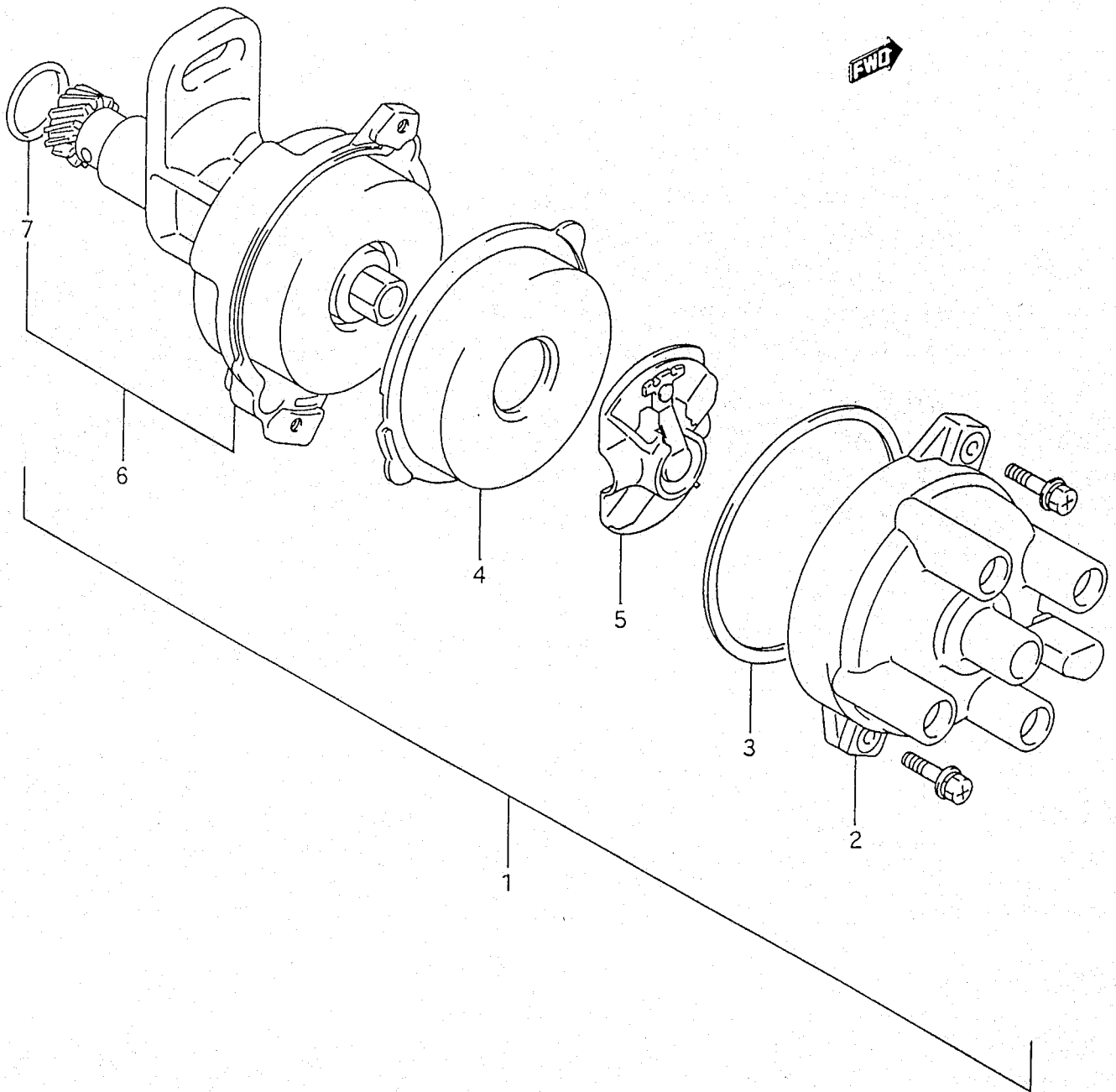


FIG.36 (E- 7) DISTRIBUTOR

REF.NO.	PART NO.	DESCRIPTION	Q'TY		REMARKS
			C	V	
1	33100-56B11	DISTRIBUTOR ASSY	1	1	
2	33321-56B10	.CAP, distributor	1	1	
3	33324-60C30	.GASKET, cap	1	1	
4	33326-50F50	.COVER, distributor	1	1	
5	33310-60C30	.ROTOR, distributor	1	1	
6	33110-56B11	.HOUSING ASSY, distributor	1	1	
7	33278-85060	..O RING	1	1	

FIG. 37

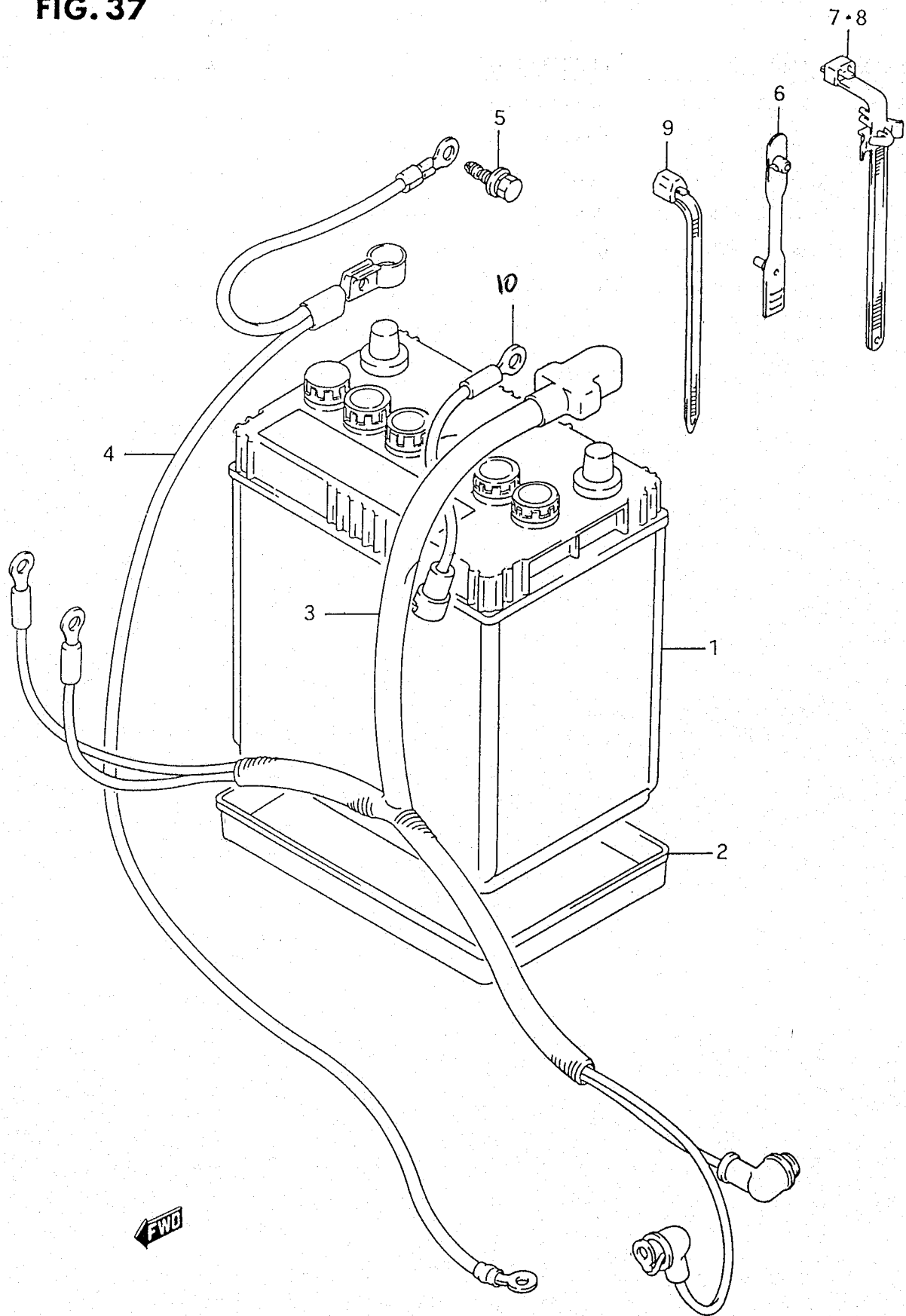


FIG.37 (E- 8) BATTERY

REF.NO.	PART NO.	DESCRIPTION	Q'TY		REMARKS
			C	V	
1-1	33610-85C00	BATTERY ASSY	1	1	
1-2	33610-85C10	BATTERY ASSY	1	1	
2	33660-73010	TRAY, battery	1	1	
3	33800-85C00	CABLE, starter motor	1	1	
4	33850-85C00	CABLE, battery ground	1	1	
5	09115-06001	BOLT, earth	1	1	
6	09407-05403	CLAMP, ACG wire (L:88)	1	1	
7	09407-14406	CLAMP, cable (L:140)	1	1	
8	09407-12404	CLAMP, cable (L:140)	2	2	
9	36990-85C10	CLAMP, cable	2	2	
10	37740-82000	AIR FUSSE	1	1	

FIG.38

FWD

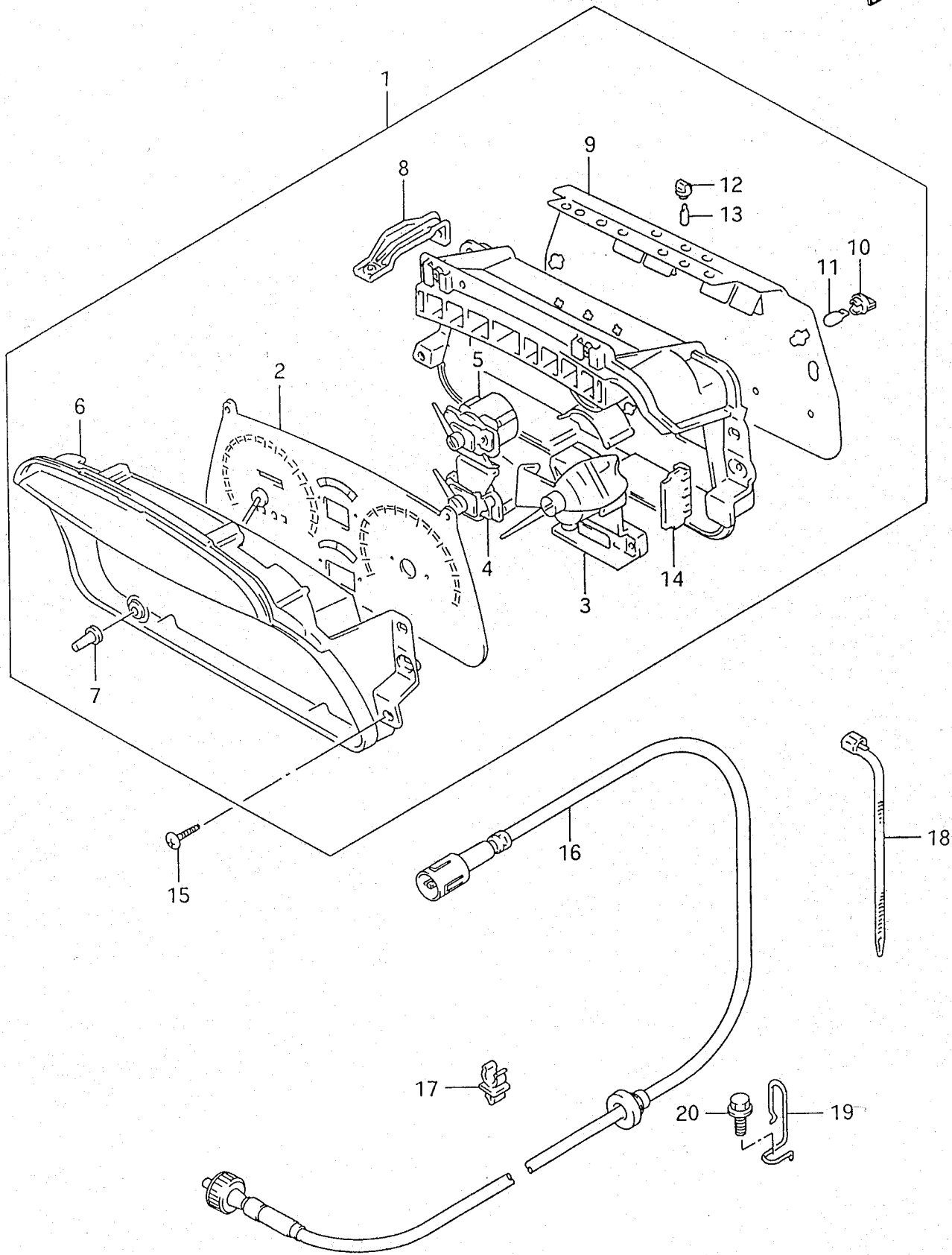


FIG.38 (E- 9) SPEEDOMETER

REF.NO.	PART NO.	DESCRIPTION	Q'TY		REMARKS
			C	V	
1	34100-74E00	SPEEDOMETER ASSY (Kilo)	1	1	
2	34120-76E00	.BODY ASSY, speedometer (Kilo)	1	1	
3	34220-66A00	.BODY ASSY, tachometer	1	1	
4	34320-60A10	.BODY ASSY, fuel meter	1	1	
5	34420-60A10	.BODY ASSY, temp meter	1	1	
6	34113-60A10	.GLASS, front	1	1	
7	34145-80200	.COVER, trip knob	1	1	
8	34950-60A10	.BRACKET, meter	2	2	
9	34152-66A00	.PLATE, printed	1	1	
10	34172-50E10	.SOCKET, bulb	4	4	
11	09471-12092	.BULB (12V,3.4W)	4	4	
12	34175-78900	.SOCKET, bulb	11	11	
13	09471-12055	.BULB (14V,1.4W)	11	11	
14	34154-80360	.PLATE, hazard warning	1	1	
15	03541-05203	SCREW, meter	4	4	
16	34910-60A41	CABLE ASSY, speedometer	1	1	
17	09403-07306	CLAMP, meter cable	1	1	
18	36990-85C00	CLAMP, meter cable	1	1	
19	34926-60A00	CLAMP, meter cable	1	1	
20	01550-06163	BOLT	1	1	

FIG. 39

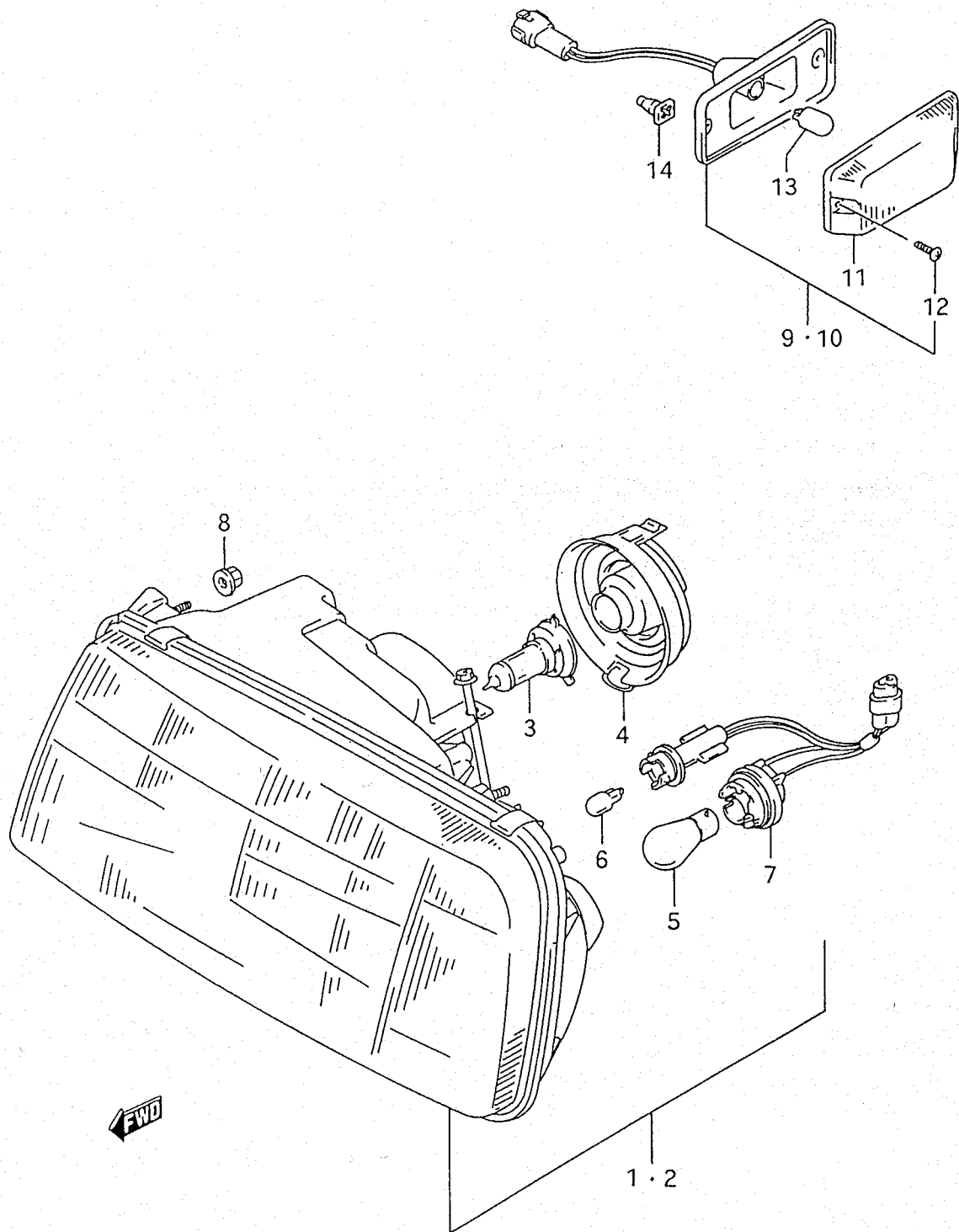


FIG.39 (E-10) FRONT LAMP

REF.NO.	PART NO.	DESCRIPTION	Q'TY		REMARKS
			C	V	
1	35100-60A71	HEADLAMP ASSY, RH	1	1	
2	35300-60A71	HEADLAMP ASSY, LH	1	1	
3	09471-12060	.BULB (12V,60/55W,H4)	2	2	
4	35179-82060	.COVER	2	2	
5	09471-12045	.BULB (12V,21W)	2	2	
6	09471-12081	.BULB (12V,5W)	2	2	
7	36118-60A20	.SOCKET	2	2	
8	08316-10063	NUT	8	8	
9	36410-85C00	LAMP, side turn signal RH	1	1	
10	36430-85C00	LAMP, side turn signal LH	1	1	
11	36412-85C00	.LENS	2	2	
12	03112-04163	.SCREW	4	4	
13	09471-12079	.BULB (12V,4W)	2	2	
14	36578-85C10	NUT	4	4	

FIG. 40

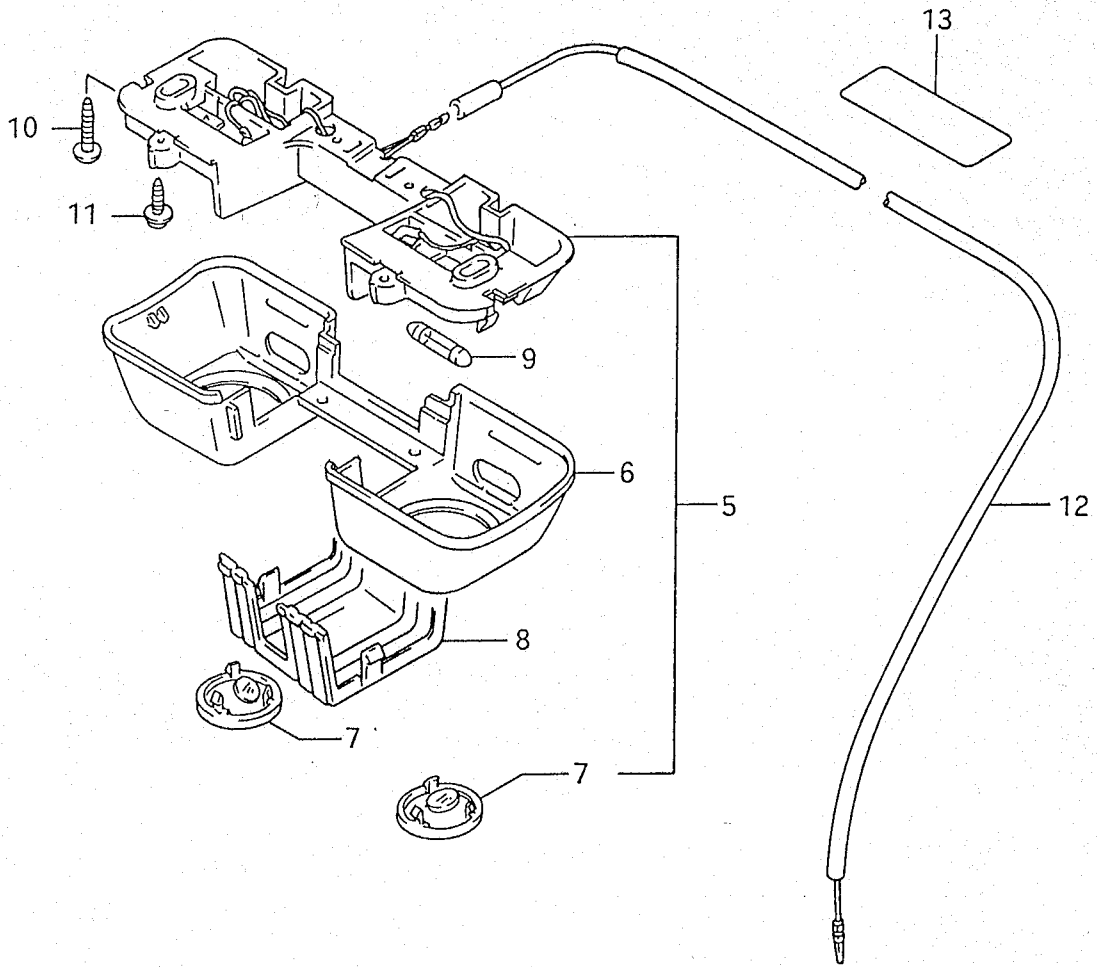
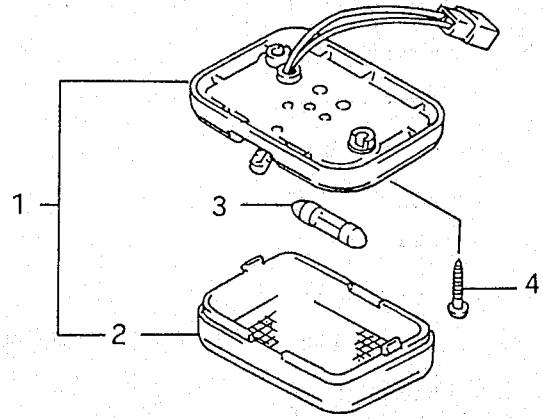
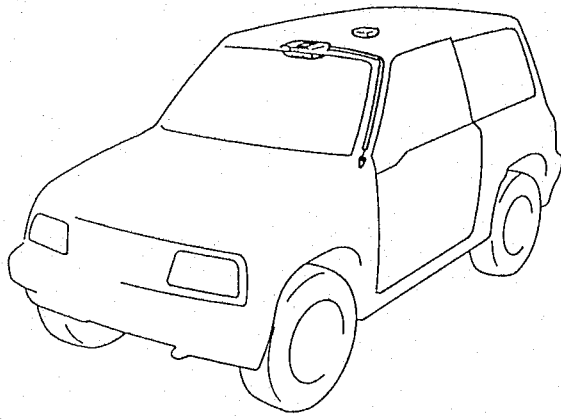


FIG.40 (E-11) ROOM LAMP

REF.NO.	PART NO.	DESCRIPTION	Q'TY		REMARKS
			C	V	
1	36210-85C00-5EH	LAMP ASSY, room (Gray)	1	1	
2	36212-85C00	.LENS	1	1	
3	09471-12073	.BULB (12V,5W)	1	1	
4	03211-04163	SCREW	2	2	
5-1	36230-60A10	LAMP ASSY, spot	1	-	
5-2	36230-60A20	LAMP ASSY, spot	-	1	
6	36235-60A10	.HOUSING	1	1	
7	36232-60A10	.LENS	2	2	
8	36242-60A10	.COVER	1	1	
9	09471-12073	.BULB (12V,5W)	2	2	
10	03141-05203	SCREW	2	2	
11	03541-04103	SCREW	2	2	
12	36820-61A10	WIRE, spot lamp	1	1	
13	36930-86000	COVER, wire	3	-	

SE416 E22 SANTANA

FIG. 41

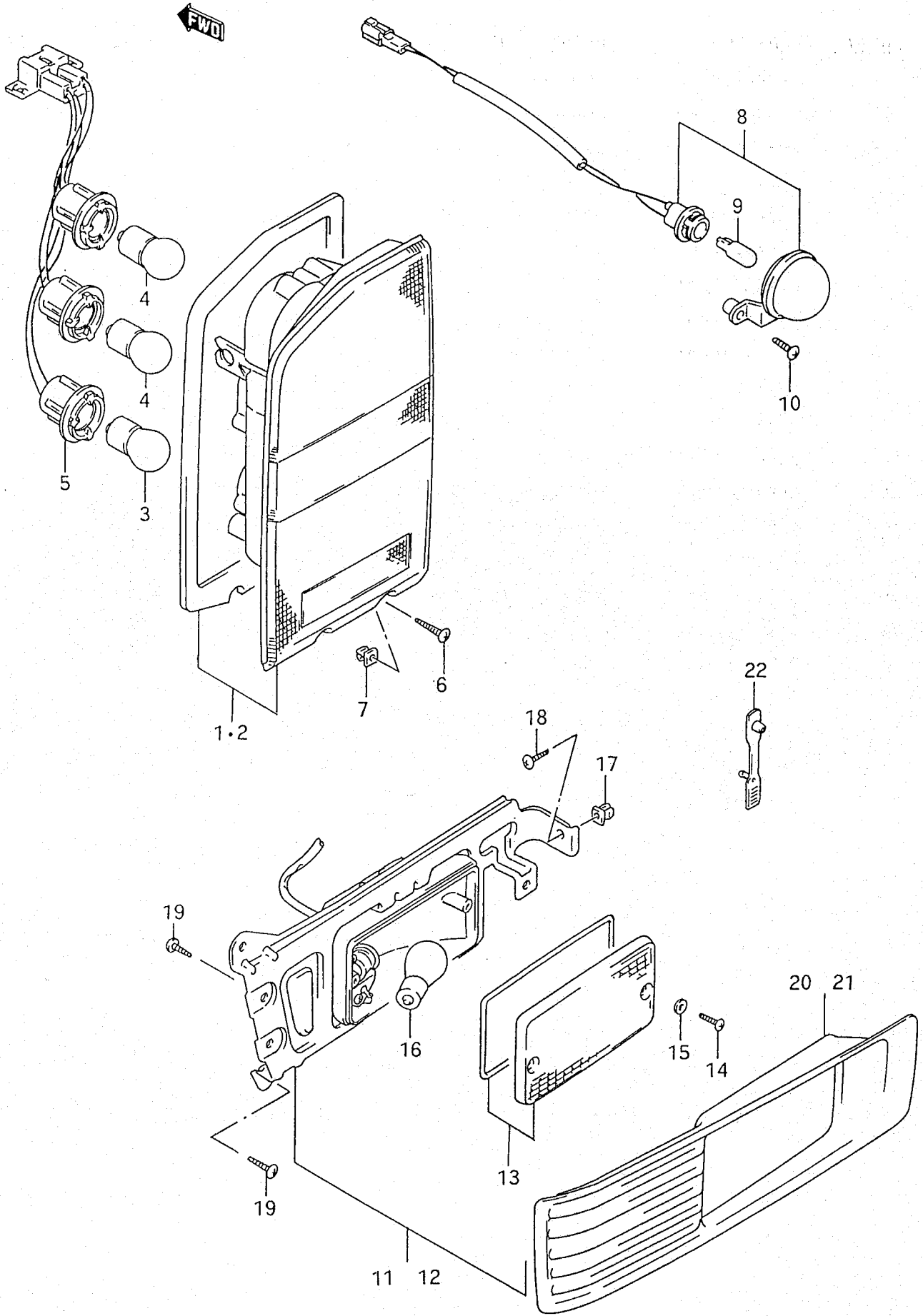


FIG.41 (E-12) REAR LAMP

REF.NO.	PART NO.	DESCRIPTION	Q'TY		REMARKS
			C	V	
1	35650-85C00	LAMP UNIT, rear combination RH	1	1	
2	35670-85C00	LAMP UNIT, rear combination LH	1	1	
3	09471-12057	BULB (12V,21/5W)	2	2	
4	09471-12064	BULB (12V,21W)	4	4	
5	35655-85C00	SOCKET	2	2	
6	03142-04253	SCREW	4	4	
7	09148-04021	NUT	4	4	
8	35910-85C00	LAMP ASSY, license	2	2	
9	09471-12081	.BULB (12V,5W)	2	2	
10	03511-04163	SCREW	4	4	
11	36570-85C10	LAMP ASSY, rear fog RH	1	1	
12	36590-85C10	LAMP ASSY, rear fog LH	1	1	
13	36572-85C10	.LENS	2	2	
14	03212-04169	.SCREW	4	4	
15	35129-85C10	.WASHER	4	4	
16	09471-12064	.BULB (12V,21W)	2	2	
17	36578-85C00	NUT	2	2	
18	03141-04123	SCREW	2	2	
19	03541-04123	SCREW	12	12	
20	36571-85C10	BEZEL, rear fog lamp RH	1	1	
21	36591-85C10	BEZEL, rear fog lamp LH	1	1	
22	09407-05403	CLAMP	2	2	

FIG.42

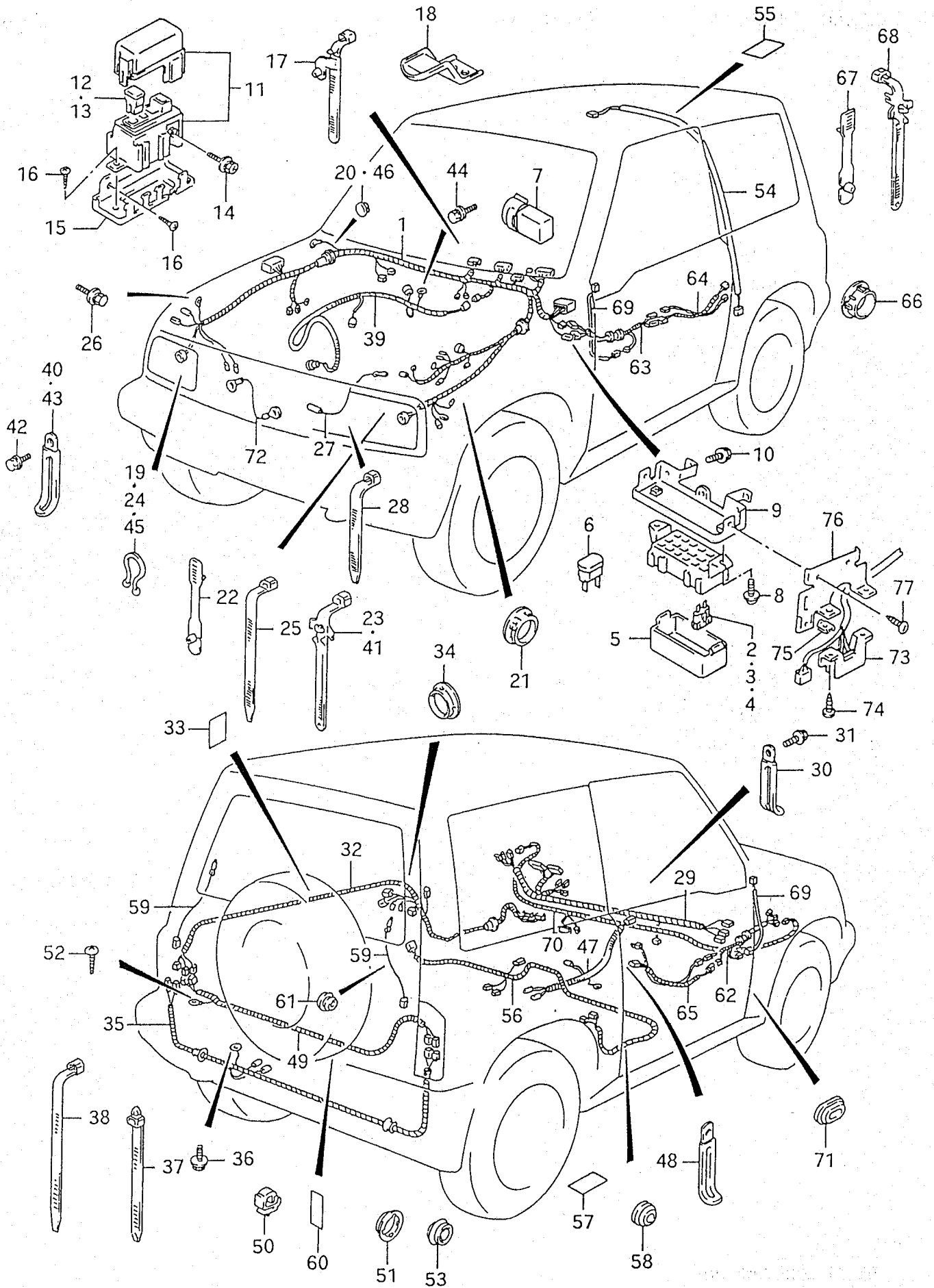


FIG. 42 (E-13) WIRING HARNESS

REF.NO.	PART NO.	DESCRIPTION	Q'TY		REMARKS
			C	V	
1	36610-71E20	HARNESS, wiring main	1	1	
2	09481-10101	.FUSE (10A)	7	7	
3	09481-15101	.FUSE (15A)	5	5	
4	09481-20101	.FUSE (20A)	2	2	
5	36717-60A11	.COVER, fuse box	1	1	
6	36795-82000	.BRAKER ASSY, circuits	1	1	
7	33552-86000	.FILTER, noise suppressor	1	1	
8	02142-05123	SCREW, fuse box	2	2	
9	36735-60A00	BRACKET, fuse box	1	1	
10	09128-06043	BOLT, bracket	2	2	
11	36730-60A20	BOX ASSY, main fuse	1	1	
12	09481-50201	FUSE (50A)	1	1	
13	09481-60301	FUSE (60A)	1	1	
14	09138-06040	BOLT, slow blow fuse	2	2	
15	36737-60A00	BRACKET, main fuse	1	1	
16	02142-06103	SCREW	4	4	
17	36990-56B00	CLAMP, harness dash panel	5	5	
18	36996-70E00	PROTECTOR, main harness	1	1	
19	09408-00055	CLAMP, main harness	1	1	
20	09409-07320	CAP, dash panel hole	2	2	
21	09308-25002	PROTECTOR, side lamp wire	2	2	
22	09407-05403	CLAMP, washer hose	4	4	
23-1	09407-12404	CLAMP, main harness side	11	11	
23-2	09407-12404	CLAMP, harness cowl top	6	6	
23-3	09407-12404	CLAMP, door controller wire	1	1	
24	09408-00021	CLAMP, horn wire	1	1	
25-1	36990-85C00	CLAMP, harness & cable	1	1	
25-2	36990-85C00	CLAMP, ignition switch wire	1	1	
26	09115-06001	BOLT, harness ground	4	4	
27	36955-60A00	WIRE, power steering	1	1	
28	36990-85C10	CLAMP, power steering wire	2	2	
29	36620-64A70	HARNESS, instrument panel	1	1	
30	36990-85C20	CLAMP, harness	14	14	
31	03541-05123	SCREW, clamp	13	13	

FIG.42

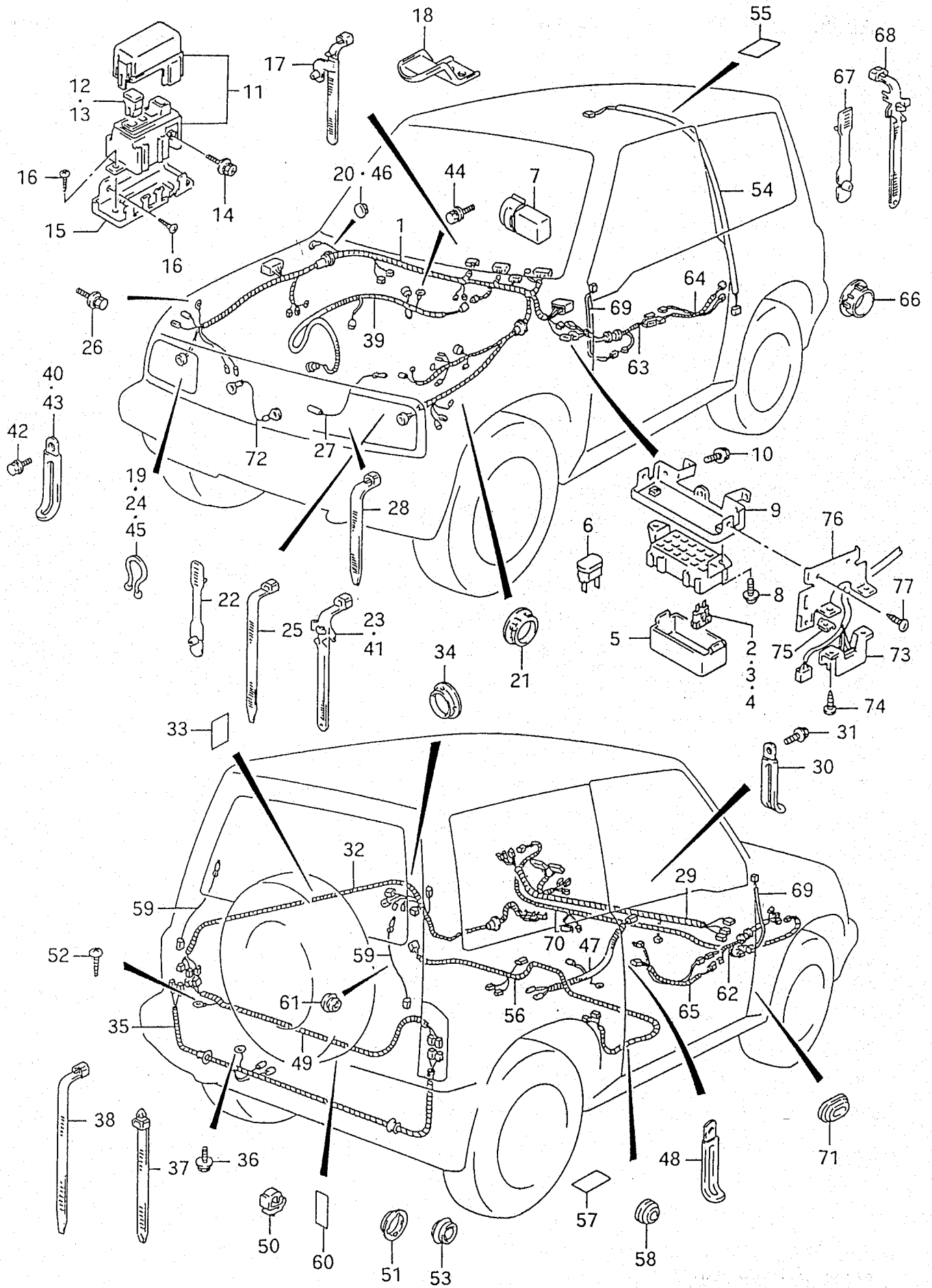


FIG.42 (E-14) WIRING HARNESS

REF.NO.	PART NO.	DESCRIPTION	Q'TY		REMARKS
			C	V	
32	36630-64A40	HARNESS, wiring floor	1	1	
33	36930-85C00	COVER, floor harness	3	3	
34	09308-42001	PROTECTOR, floor harness	1	1	
35	36640-57B30	HARNESS, wiring rear lamp	1	1	
36	09129-06002	SCREW, harness ground	1	1	
37	09407-14408	CLAMP, harness	3	3	
38	36990-85C00	CLAMP, harness	2	2	
39	36650-73E00	HARNESS, wiring engine	1	1	
40-1	36990-85C20	CLAMP, oil pump wire	1	1	
40-2	36990-85C20	CLAMP, harness	1	1	
41	09407-12404	CLAMP, harness	1	1	
42	01550-06103	BOLT, clamp	1	1	
43-1	36990-85C30	CLAMP, harness	3	3	
43-2	36990-85C30	CLAMP, harness	1	1	
44	01550-06123	BOLT, harness ground	2	2	
45	09408-00024	CLAMP, starter wire	1	1	
46	09409-07320	CAP, dash panel hole	2	2	
47	36660-61A00	HARNESS, wiring mission	1	1	
48	36990-85C30	CLAMP, harness	4	4	
49	36845-62A10	WIRE, back door	-	1	
50	36667-60A00	CLAMP, back door wire	-	5	
51	09308-28001	PROTECTOR, back door wire	-	2	
52	09139-05028	SCREW, wire ground	-	1	
53	09250-25007	CAP, wire hole	2	-	
54-1	36820-60A30	WIRE, room lamp	1	-	
54-2	36820-60A00	WIRE, room lamp	-	1	
55	36930-85C00	COVER, room lamp wire	-	3	
56	36823-60A00	WIRE, belt/parking switch	1	1	
57	36930-85C00	COVER, switch wire	5	5	
58	36995-60A10	GROMMET, side sill	2	2	
59	36890-82000	WIRE, rear defogger	-	2	
60	36930-85C00	COVER, defogger wire	-	1	
61	09308-03005	GROMMET, defogger wire	-	2	

FIG. 42

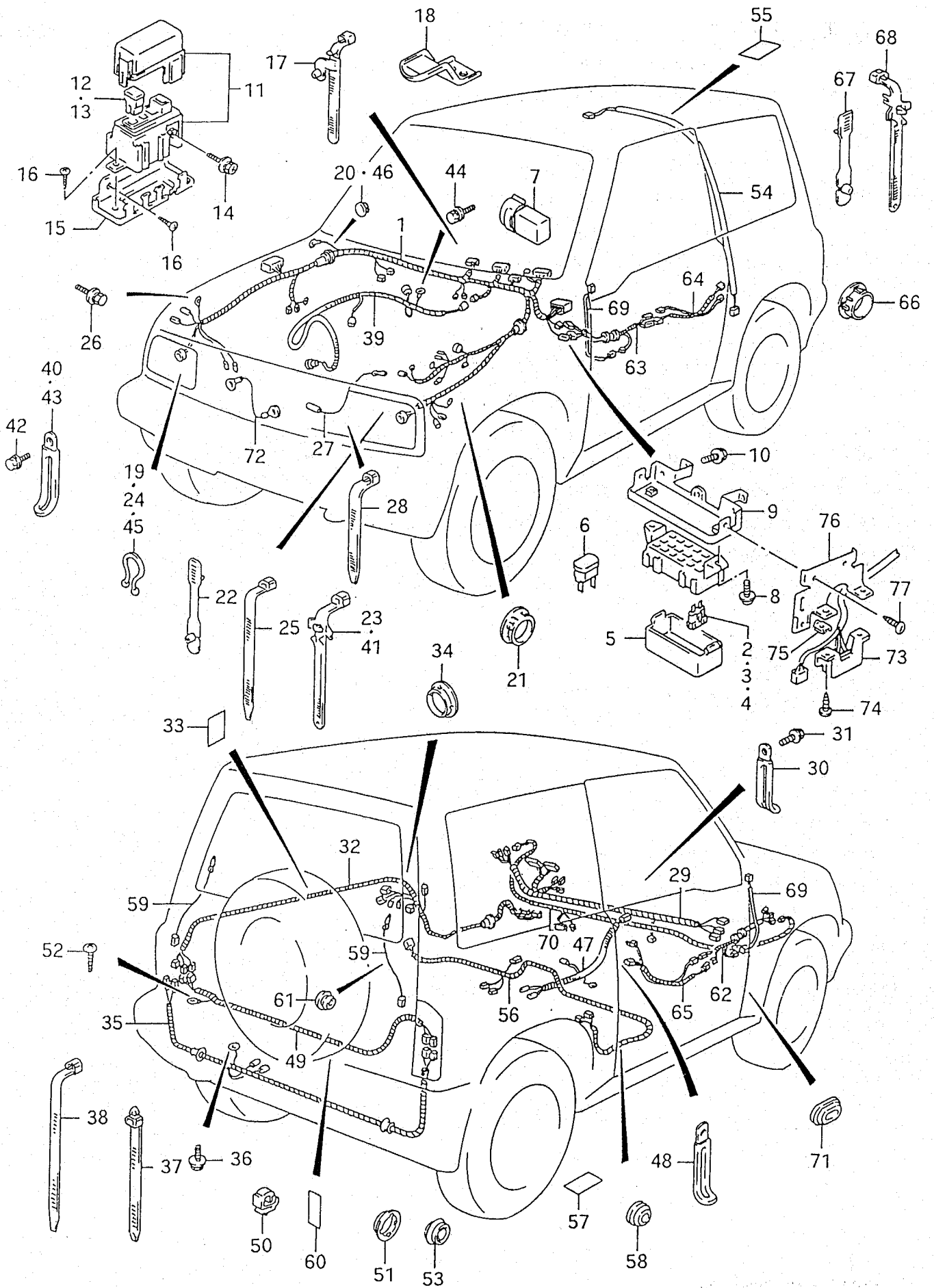


FIG.42 (E-15) WIRING HARNESS

REF.NO.	PART NO.	DESCRIPTION	Q'TY		REMARKS
			C	V	
62	36756-70E00	WIRE, power window/mirror RH	1	1	
63	36756-70E20	WIRE, power window/mirror LH	1	1	
64	36757-60A00	WIRE, solenoid & switch	1	1	
65	36757-60A20	WIRE, solenoid	1	1	
66	09308-40001	PROTECTOR, wire	2	2	
67	09407-05403	CLAMP, power window wire	10	10	
68	09407-12404	CLAMP, controller wire	1	1	
69	36753-60A00	WIRE, mirror motor	2	2	
70	36774-60A00	WIRE, mirror switch	1	1	
71	09250-20017	CAP, rear washer hose	1	-	
72	39312-60A01	WIRE, horn ground	1	1	
73	36733-56B10	WIRE, ALDL connector	1	1	
74	03211-05123	SCREW	2	2	
75	59916-85C00	NUT	1	1	
76	36734-56B00	BRACKET, ALDL connector	1	1	
77	03141-05123	SCREW	1	1	

FIG. 43

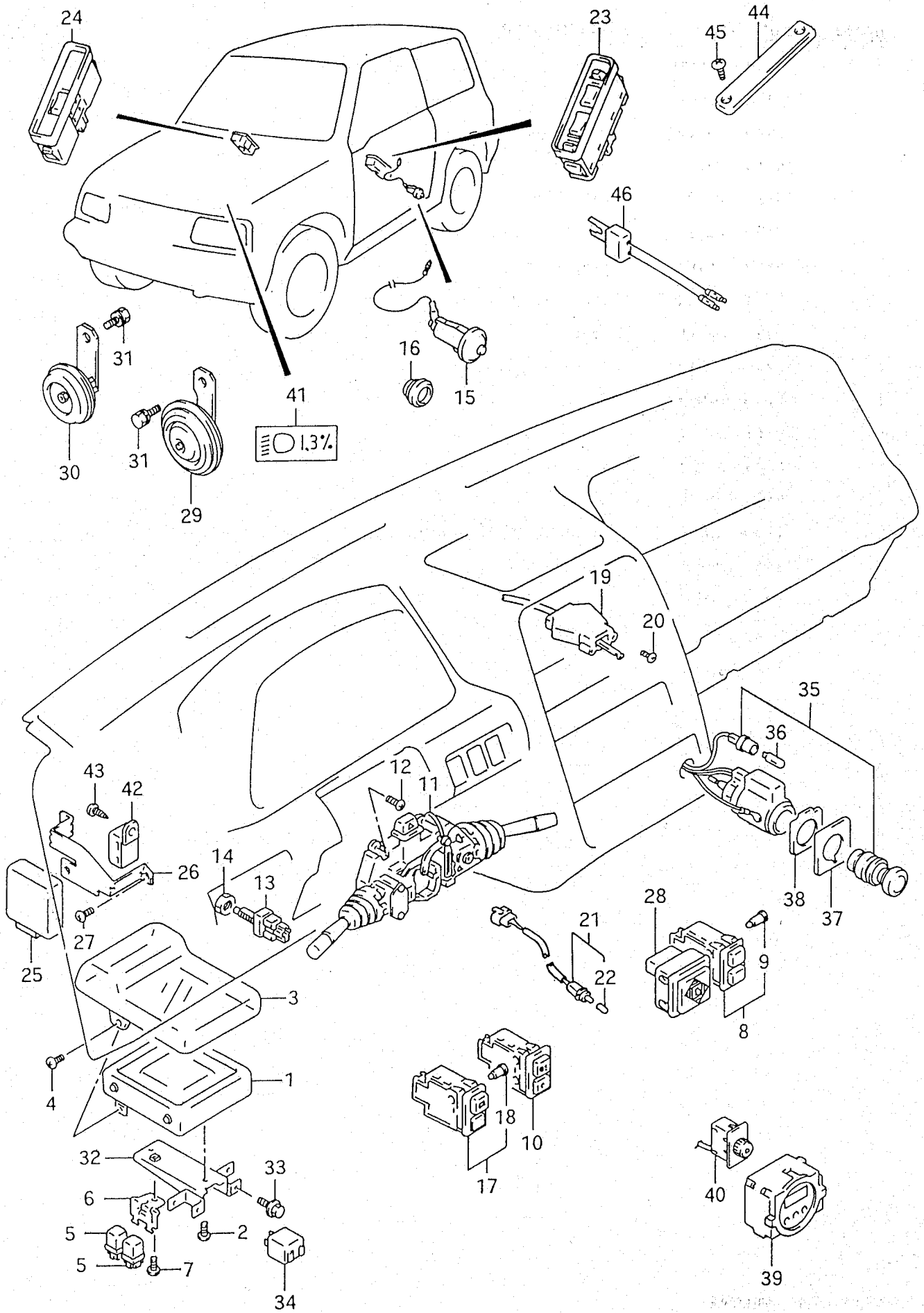


FIG.43 (F- 2) ELECTRICAL CONTROL

REF.NO.	PART NO.	DESCRIPTION	Q'TY		REMARKS
			C	V	
1	33920-56B70	CONTROLLER, fuel injection	1	1	
2	02142-06123	SCREW	2	2	
3	33925-60A21	COVER, controller	1	-	
4	02142-06123	SCREW	2	-	
5	31850-80C10	RELAY ASSY, fuel injection	2	2	
6	33795-56B12	BRACKET, relay	1	1	
7	02142-06123	SCREW	1	1	
8	37370-86000	SWITCH, rear wiper/washer	-	1	
9	09471-12135	.BULB	-	2	
10	37280-86000	SWITCH ASSY, rear fog lamp	1	1	
11	37400-61A21	SWITCH ASSY, combination	1	1	
12	02112-05123	SCREW	4	4	
13	37740-60D01	SWITCH ASSY, stop lamp	1	1	
14	09140-10043	NUT	1	1	
15	37670-60B11	SWITCH ASSY, door	2	2	
16	09250-14008	CAP, door switch hole	-	1	
17	37860-60A00	SWITCH ASSY, rear defogger	-	1	
18	09471-12135	.BULB	-	2	
19	37870-60A01	SWITCH ASSY, heater fan motor	1	1	
20	03111-04083	SCREW	2	2	
21	36550-85C00	LAMP ASSY, ashtry illumination	1	1	
22	36551-85C00	.BULB	1	1	
23	37990-60A00	SWITCH, power window main	1	1	
24	37995-60A00	SWITCH, power window sub	1	1	
25	38700-85C00	CONTROLLOR, power door lock	1	1	
26	38663-56B01	BRACKET, controller	1	1	
27	02142-06123	SCREW	2	2	
28	37950-60A00	SWITCH ASSY, mirror	1	1	
29	38500-85C10	HORN ASSY, low pitched	1	1	
30	38500-85C00	HORN ASSY, high pitched	1	1	
31	01570-08123	BOLT	2	2	
32	38665-60A00	BRACKET, relay	1	1	
33	09128-06043	SCREW	2	2	
34	38610-85C00	RELAY ASSY, turn & 4 way	1	1	

FIG. 43

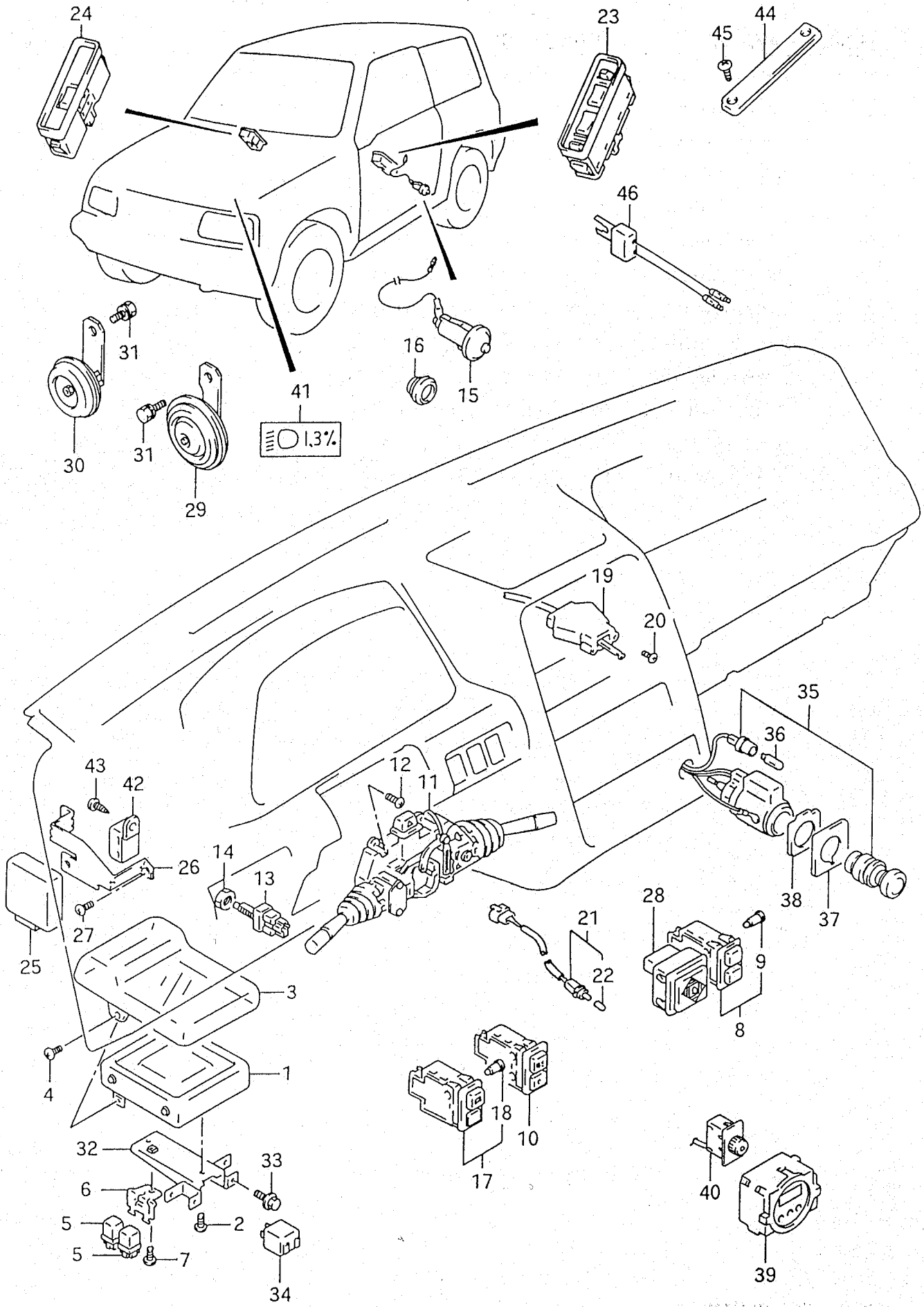
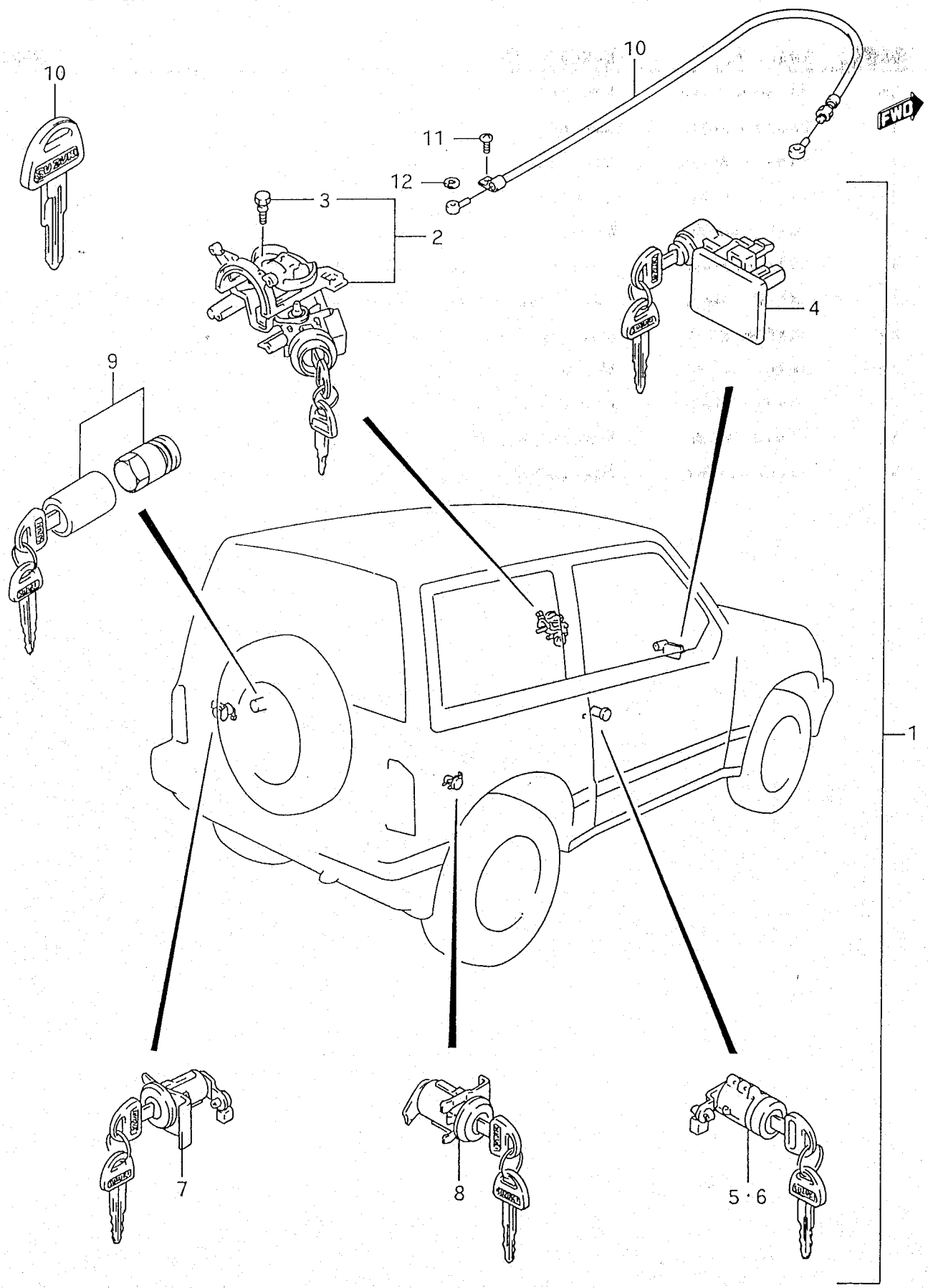


FIG.43 (F- 3) ELECTRICAL CONTROL

REF.NO.	PART NO.	DESCRIPTION	Q'TY		REMARKS
			C	V	
35	39400-85C00	LIGHTER ASSY, cgarette	1	1	
36	09471-85C00	.BULB	1	1	
37	39471-60A00	RIM, lighter	1	1	
38	39472-82000	WASHER, lighter	1	1	
39	34600-60A00	CLOCK ASSY	1	1	
40	35180-70A00	SWITCH, headlamp leveling	1	1	
41	35186-70A01	LABEL, headlamp aiming	1	1	
42	38590-60B20	CONTROLLER, warner buzzer	1	1	
43	03541-05163	SCREW	1	1	
44	39262-60A00	COVER, antenna hole	1	1	
45	39251-60A00	SCREW, cover	2	2	
46	33551-60A10	CONDENSER, noise suppressor	1	1	

FIG. 44



EXPLoded view of the keyless entry system.

FIG.44 (F- 4) LOCK SET

REF.NO.	PART NO.	DESCRIPTION	Q'TY		REMARKS
			C	V	
1-1	37103-60830-5ES	LOCK SET	1	--	
1-2	37100-60822-5ES	LOCK SET	--	1	
2	37100-60880	.LOCK ASSY, steering	1	1	
3	37152-84100	.BOLT	2	2	
4	73420-60820-5ES	.LOCK ASSY, side box (Black)	1	1	
5	82200-60831	.CYLINDER, front door lock RH	1	1	
6	82200-60841	.CYLINDER, front door lock LH	1	1	
7-1	82500-60821	.CYLINDER, rear gate	1	--	
7-2	82500-60831	.CYLINDER, back door	--	1	
8	89300-60802	.CYLINDER, fuel lid	1	--	
9	83900-60820	.KEY, spare tire nut lock	1	1	
10	37145-60A00	KEY, blank	1	1	OPT

FIG.45

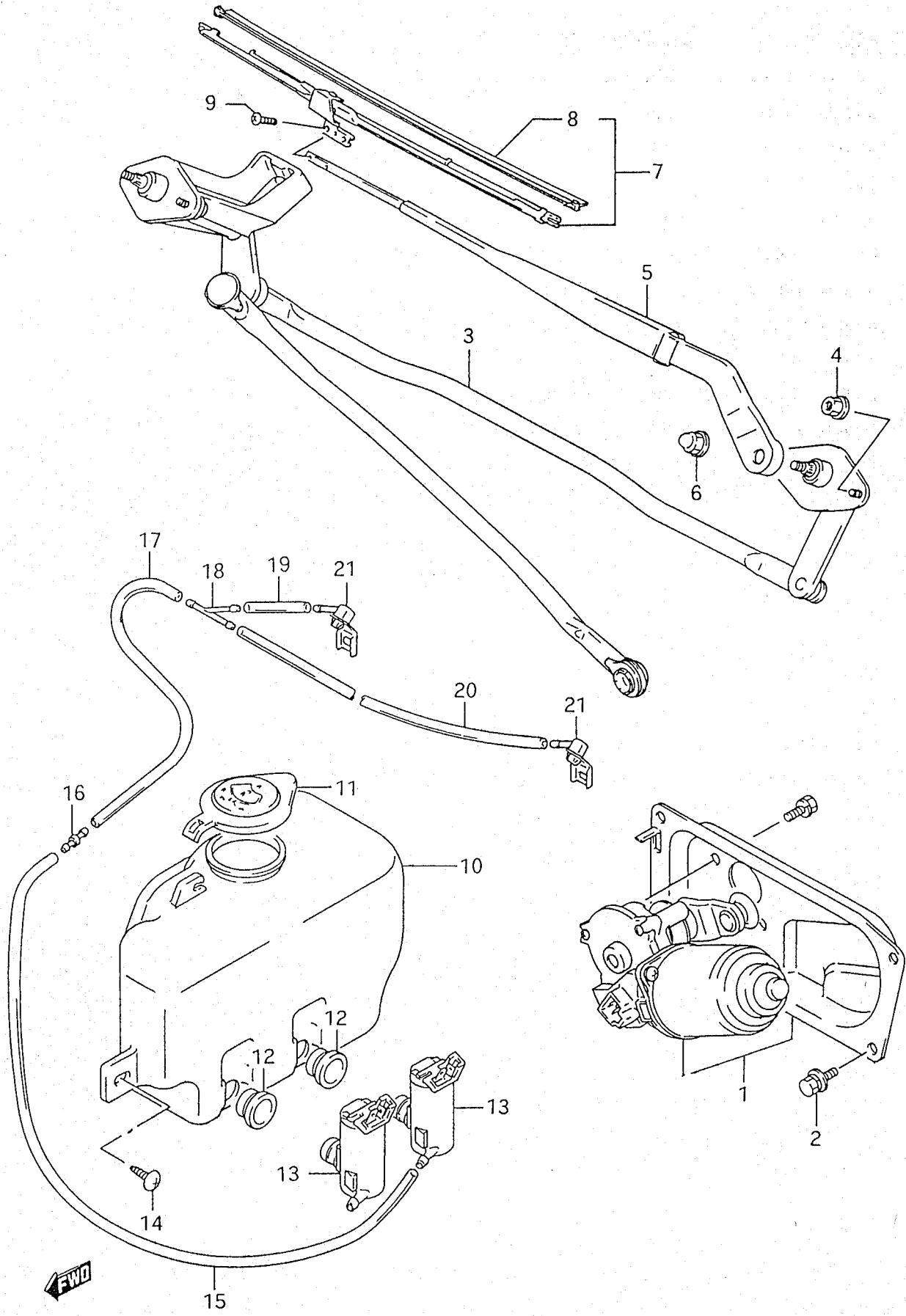


FIG. 45 (F- 5) FRONT WINDSHIELD WIPER

REF.NO.	PART NO.	DESCRIPTION	Q'TY		REMARKS
			C	V	
1	38101-60A40	MOTOR & BRACKET ASSY, wiper	1	1	
2	09115-06001	BOLT, wiper bracket	4	4	
3	38102-60A10	LINK ASSY, wiper	1	1	
4	08316-10063	NUT	4	4	
5	38310-60A00	ARM ASSY, wiper	2	2	
6	08313-20083	NUT	2	2	
7	38340-60A00	BLADE ASSY, wiper	2	2	
8	38346-84040	.BLADE	2	2	
9	38319-75000	SCREW, blade	4	4	
10-1	38450-85C00	TANK ASSY, washer	1	—	
10-2	38450-85C10	TANK ASSY, washer	—	1	
11	38452-85C00	CAP, tank	1	1	
12	38453-85C00	GROMMET, pump	1	2	
13	38410-85C00	PUMP ASSY, washer	1	2	
14	09139-06058	SCREW, tank	2	2	
15	38491-85C00	HOSE, washer (L:2100→340)	1	1	
16	38833-85C00	VALVE, washer hose	1	1	
17	38491-85C00	HOSE, washer (L:2100→800)	1	1	
18	38496-85C00	CONNECTOR, hose 3 way	1	1	
19	38491-85C00	HOSE, washer (L:2100→70)	1	1	
20	38491-85C00	HOSE, washer (L:2100→650)	1	1	
21	38480-60A01	NOZZLE, washer	2	2	

FIG. 46

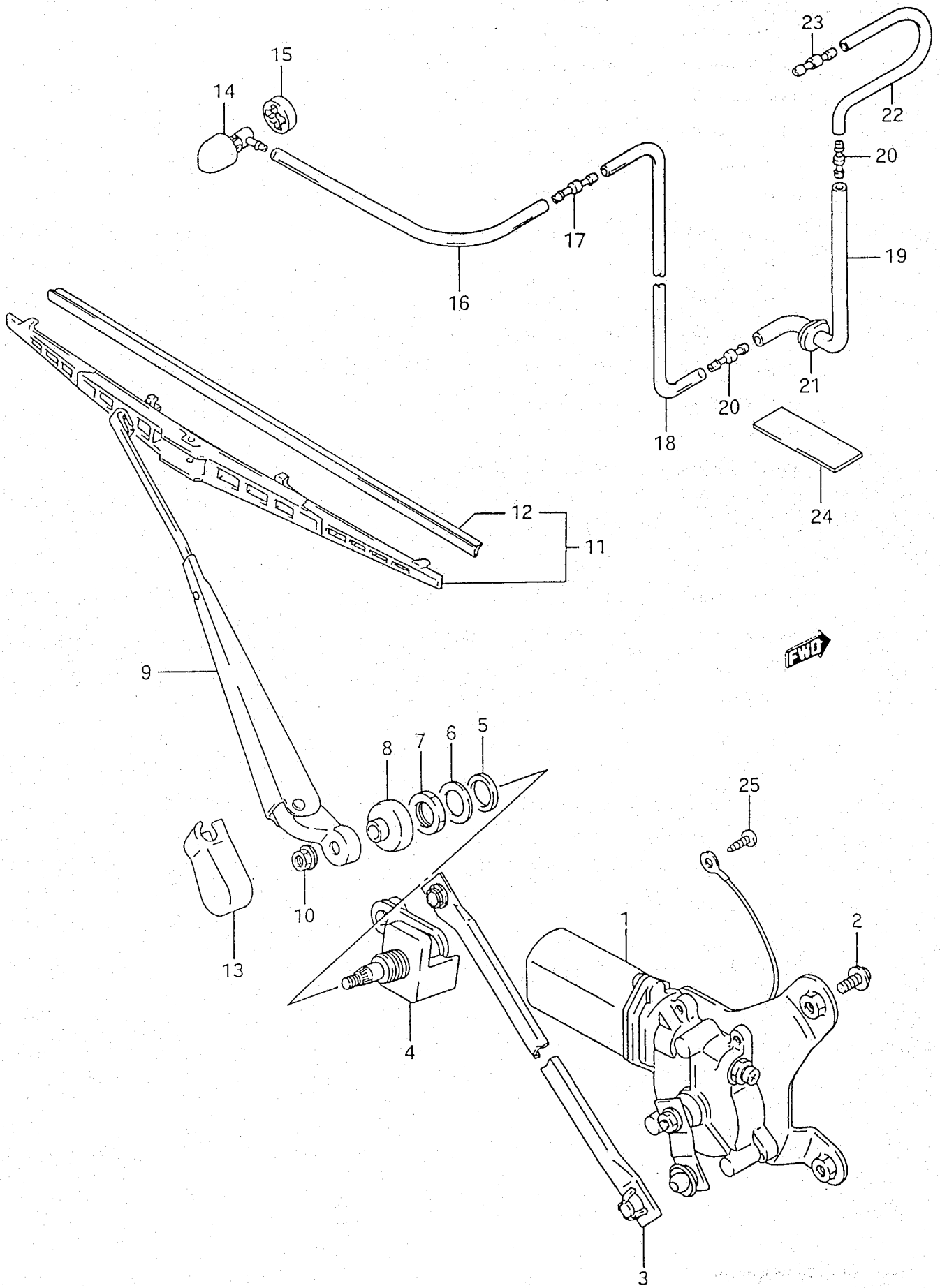


FIG.46 (F- 6) REAR WINDSHIELD WIPER (V)

REF.NO.	PART NO.	DESCRIPTION	Q'TY		REMARKS
			V		
1	38811-61A00	MOTOR ASSY, rear wiper	1		
2	09125-06058	SCREW, wiper bracket	3		
3	38813-61A00	ROD, rear wiper	1		
4	38814-61A00	PIVOT ASSY, rear wiper	1		
5	38272-61A00	GASKET, wiper pivot	1		
6	38271-61A00	WASHER, wiper pivot	1		
7	38278-61A00	NUT, wiper pivot	1		
8	38274-61A00	CAP, wiper pivot	1		
9	38821-61A00	ARM ASSY, rear wiper	1		
10	08316-10063	NUT, wiper arm	1		
11	38822-61A00	BLADE ASSY, rear wiper	1		
12	38346-61A00	.BLADE, rubber	1		
13	38315-61A00	COVER, head	1		
14	38842-61A00	NOZZLE, rear washer	1		
15	38843-61A01	GASKET, rear washer nozzle	1		
16	38491-61A00	HOSE, washer (L:1300)	1		
17	38496-61A00	VALVE, washer hose	1		
18	38491-85C00	HOSE, washer (L:2100)	1		
19	38835-85C00	HOSE, washer	1		
20	38838-85C00	VALVE, washer hose	2		
21	38839-85C00	GROMMET	1		
22	38491-85C00	HOSE, washer (L:2100→650)	1		
23	38496-85C00	CONNECTOR	1		
24	36930-85C00	CLAMP, washer hose	3		
25	09139-05028	SCREW, earth	1		

FIG. 47

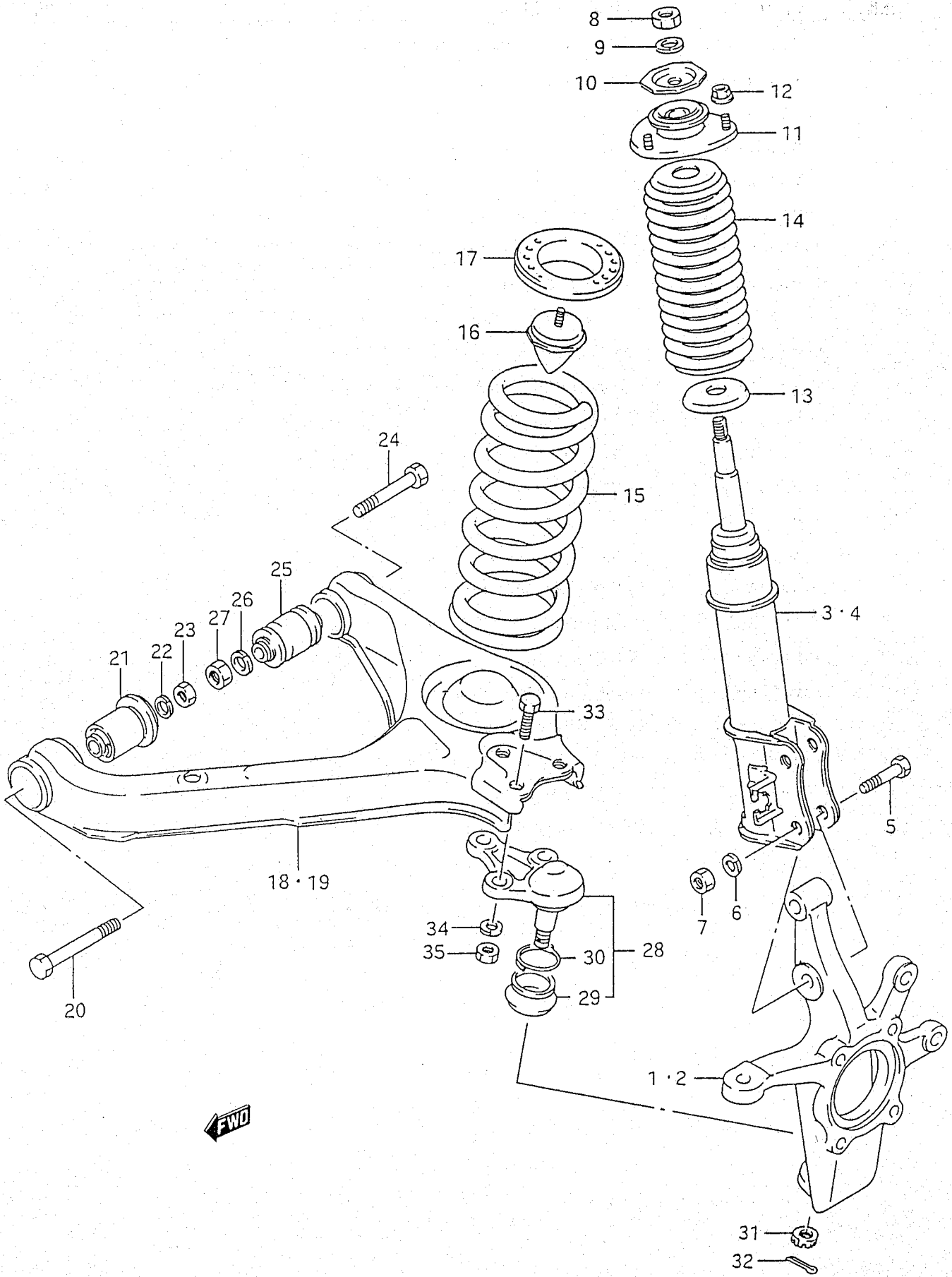


FIG. 47 (G- 2) FRONT SUSPENSION

REF.NO.	PART NO.	DESCRIPTION	Q'TY		REMARKS
			C	V	
1	45111-60A00	KNUCKLE, steering RH	1	1	
2	45151-60A00	KNUCKLE, steering LH	1	1	
3	41601-85C00	STRUT, front suspension RH	1	1	
4	41602-85C00	STRUT, front suspension LH	1	1	
5	09100-12067	BOLT	4	4	
6	08321-01123	LOCK WASHER	4	4	
7	08310-00123	NUT	4	4	
8	08310-00143	NUT	2	2	
9	08321-01143	LOCK WASHER	2	2	
10	41841-85C00	SEAT, strut upper	2	2	
11	41810-60A01	SUPPORT, front strut	2	2	
12	08316-20083	NUT	6	6	
13	41842-85C00	SEAT, strut lower	2	2	
14	41850-85C00	BOOT, strut dust	2	2	
15	41111-85C00	SPRING, front coil	2	2	
16	42110-85C00	STOPPER, bump front	2	2	
17	41211-60A00	SEAT, coil spring rubber	2	2	
18	45201-56B00	ARM, front suspension RH	1	1	
19	45202-56B00	ARM, front suspension LH	1	1	
20	09100-12056	BOLT, arm front	2	2	
21	45253-85C00	BUSHING, arm front	2	2	
22	08321-01123	LOCK WASHER	2	2	
23	08310-00123	NUT	2	2	
24	09100-14002	BOLT, arm rear	2	2	
25	45254-85C00	BUSHING, arm rear	2	2	
26	08321-01143	LOCK WASHER	2	2	
27	08310-00143	NUT	2	2	
28	45700-85C00	JOINT ASSY, lower arm ball	2	2	
29	45714-85C00	.SEAL SET	2	2	
30	45715-85C00	.CLIP	2	2	
31	08314-40143	NUT	2	2	
32	04111-30308	PIN	2	2	
33	09100-12055	BOLT	6	6	
34	08321-01123	LOCK WASHER	6	6	
35	08310-00123	NUT	6	6	

SE416 E22 SANTANA

FIG. 48

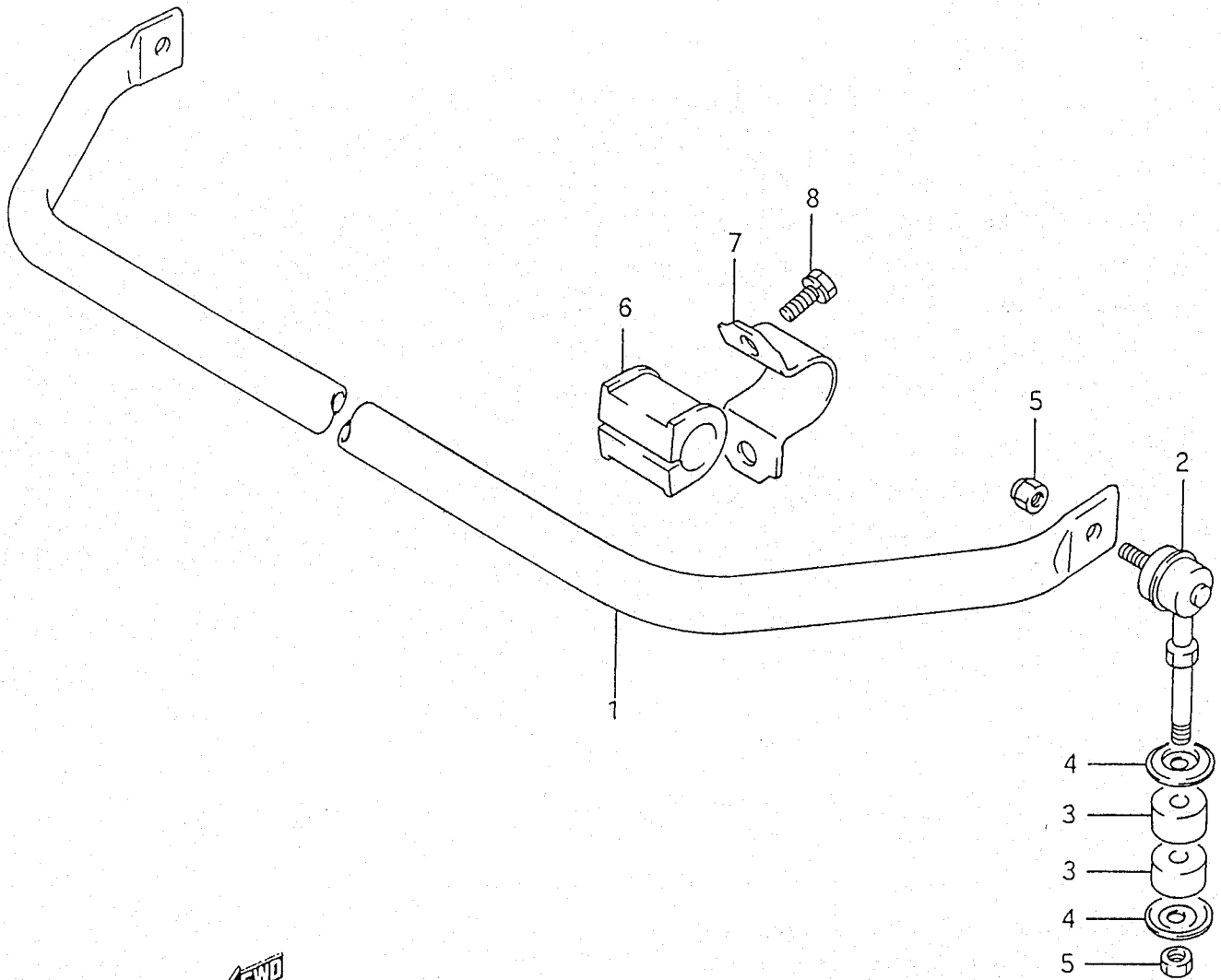


FIG.48 (G- 3) FRONT STABILIZER

REF.NO.	PART NO.	DESCRIPTION	Q'TY		REMARKS
			C	V	
1	42311-85C00	BAR, stabilizer front	1	1	
2	42420-85C00	JOINT	2	2	
3	09320-10024	BUSH	4	4	
4	09165-10002	WASHER	4	4	
5	42421-85C00	NUT	4	4	
6	42412-60A00	BUSHING, bar mount	2	2	
7	42411-85C00	BRACKET, bar mount	2	2	
8	01570-08203	BOLT	2	2	

FIG. 49

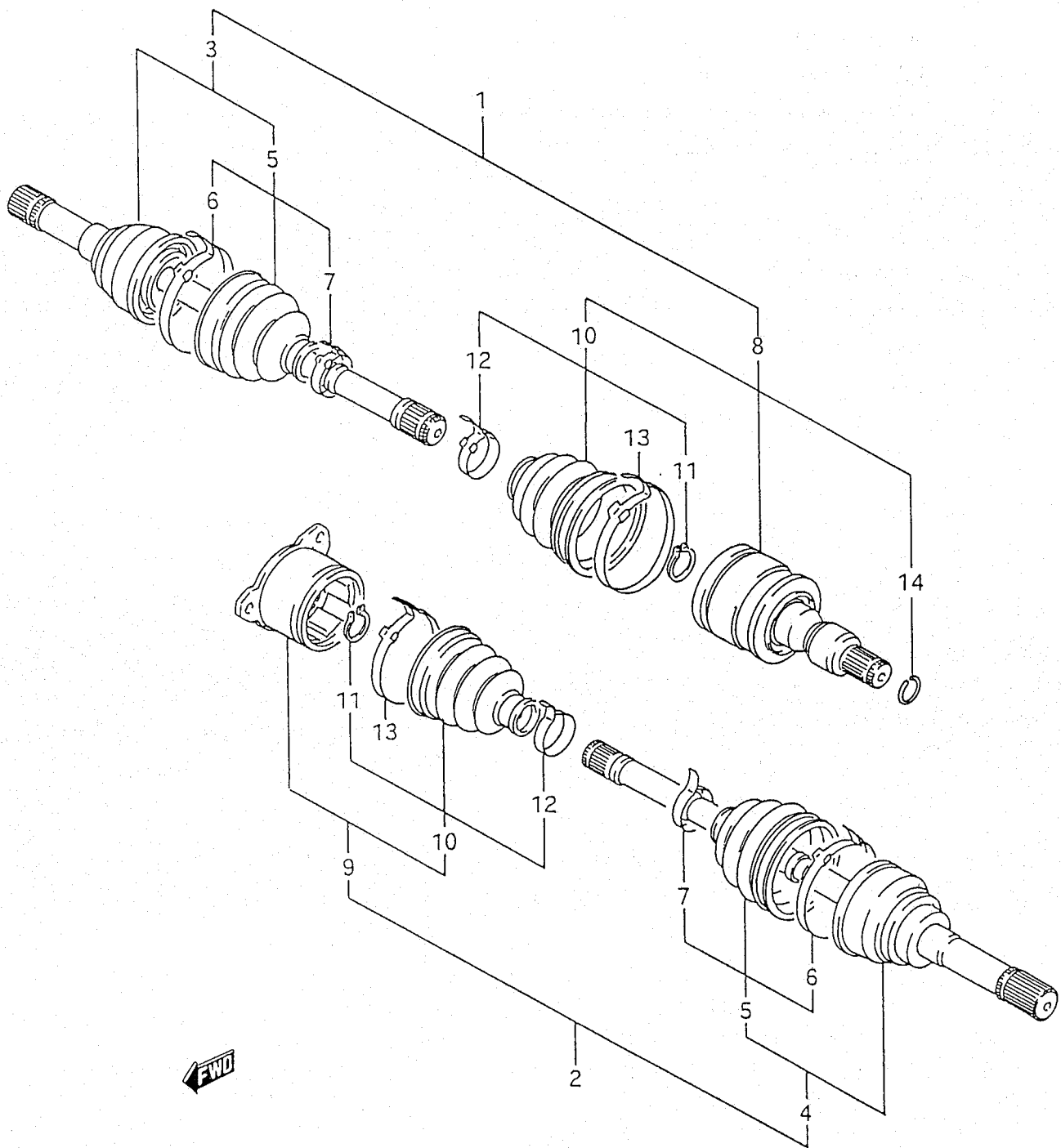
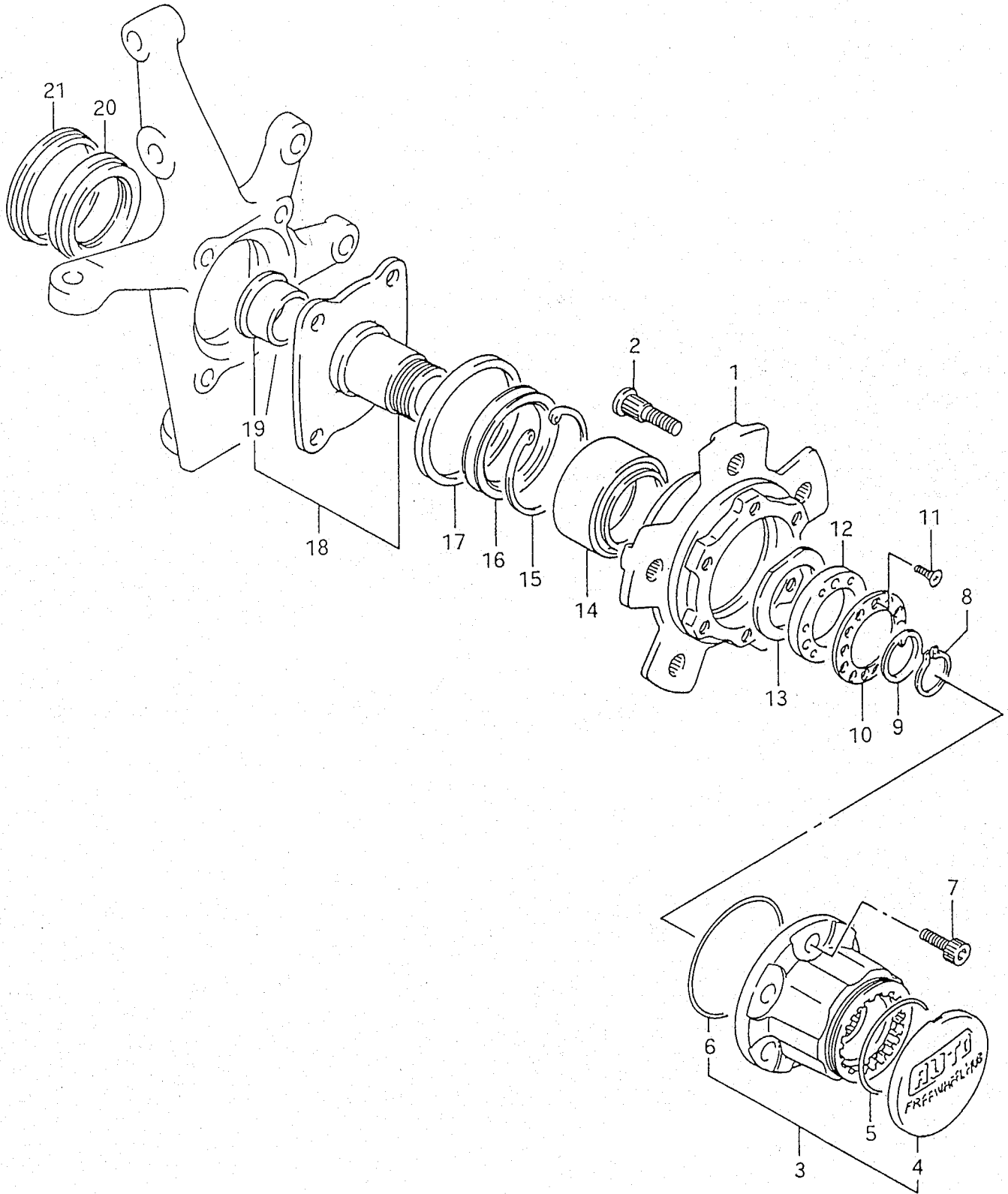


FIG.49 (G- 4) FRONT DRIVE SHAFT

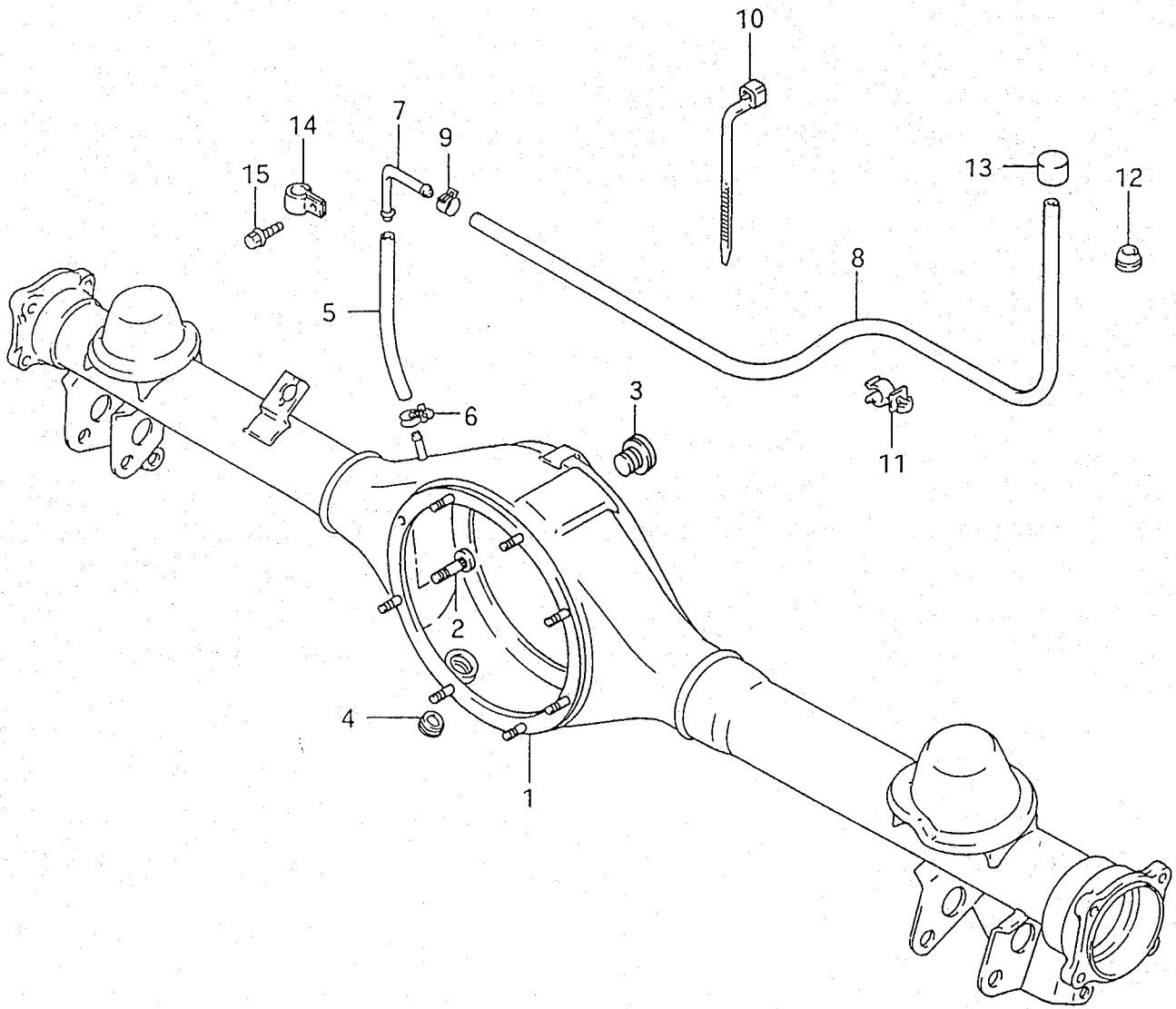
REF.NO.	PART NO.	DESCRIPTION	Q'TY		REMARKS
			C	V	
1	44101-60A10	SHAFT ASSY, front drive RH	1	1	
2	44102-60A10	SHAFT ASSY, front drive LH	1	1	
3	44131-60A01	.JOINT ASSY, wheel side RH	1	1	
4	44132-60A00	.JOINT ASSY, wheel side LH	1	1	
5	44118-71C10	..BOOT SET, wheel side	2	2	
6	44121-60A00	...CLAMP	2	2	
7	44124-60A00	...CLAMP	2	2	
8	44135-60A01	.JOINT ASSY, diff side RH	1	1	
9	44136-60A00	.JOINT ASSY, diff side LH	1	1	
10	44119-71C10	..BOOT SET, diff side	2	2	
11	44111-60A00	...RING, snap	2	2	
12	44124-60A00	...CLAMP	2	2	
13	44123-60A00	...CLAMP	2	2	
14	09381-24001	..RING, snap RH	1	1	

FIG. 50



REF.NO.	PART NO.	DESCRIPTION	Q'TY		REMARKS
			C	V	
1	43421-60A00	HUB, front wheel	2	2	
2	09119-12008	BOLT	10	10	
3	43810-60A10	HUB ASSY, auto free wheel	2	2	
4	43814-60A10	.COVER	2	2	
5	43815-83000	.O RING, cover	2	2	
6	43838-83000	.O RING	2	2	
7	43811-85C00	BOLT	12	12	
8	44141-85C00	CIRCLIP	2	2	
9	44182-60A01	WASHER, spindle thrust	2	2	
10	43466-60A00	WASHER, bearing lock	2	2	
11	02122-04083	SCREW	8	8	
12	43461-60A01	NUT, bearing lock	2	2	
13	43465-60A00	WASHER, wheel bearing	2	2	
14	09269-41001	BEARING, front wheel	2	2	
15	43486-85C00	CIRCLIP	2	2	
16	09283-54001	SEAL, wheel bearing oil	2	2	
17	09286-75001	SEAL, wheel hub	2	2	
18	43440-85C00	SPINDLE, front wheel	2	2	
19	43445-85C00	.BUSHING	2	2	
20	09289-48004	SEAL, oil inner	2	2	
21	09286-64001	SEAL, drive shaft oil	2	2	

FIG. 51



← FWD

FIG.51 (G- 6) REAR AXLE HOUSING

REF.NO.	PART NO.	DESCRIPTION	Q'TY		REMARKS
			C	V	
1	46500-85C10	HOUSING ASSY, rear axle	1	1	
2	46517-85C00	.BOLT	8	8	
3	21947-85C70	PLUG, oil level	1	1	
4	21947-85C50	PLUG, drain	1	1	
5	46520-60A00	HOSE, breather	1	1	
6	46582-85C00	CLAMP	1	1	
7	09367-08003	UNION, breather hose	1	1	
8	46581-85C00	HOSE, breather No.2	1	1	
9	46583-85C00	CLAMP	1	1	
10	36990-85C00	BAND	1	1	
11	09407-14408	CLAMP	1	1	
12	09308-11009	GROMMET (ID:11)	1	1	
13	46543-85C00	PLUG, breather	1	1	
14	09403-14408	CLAMP	1	1	
15	01550-06103	BOLT	1	1	

FIG. 52

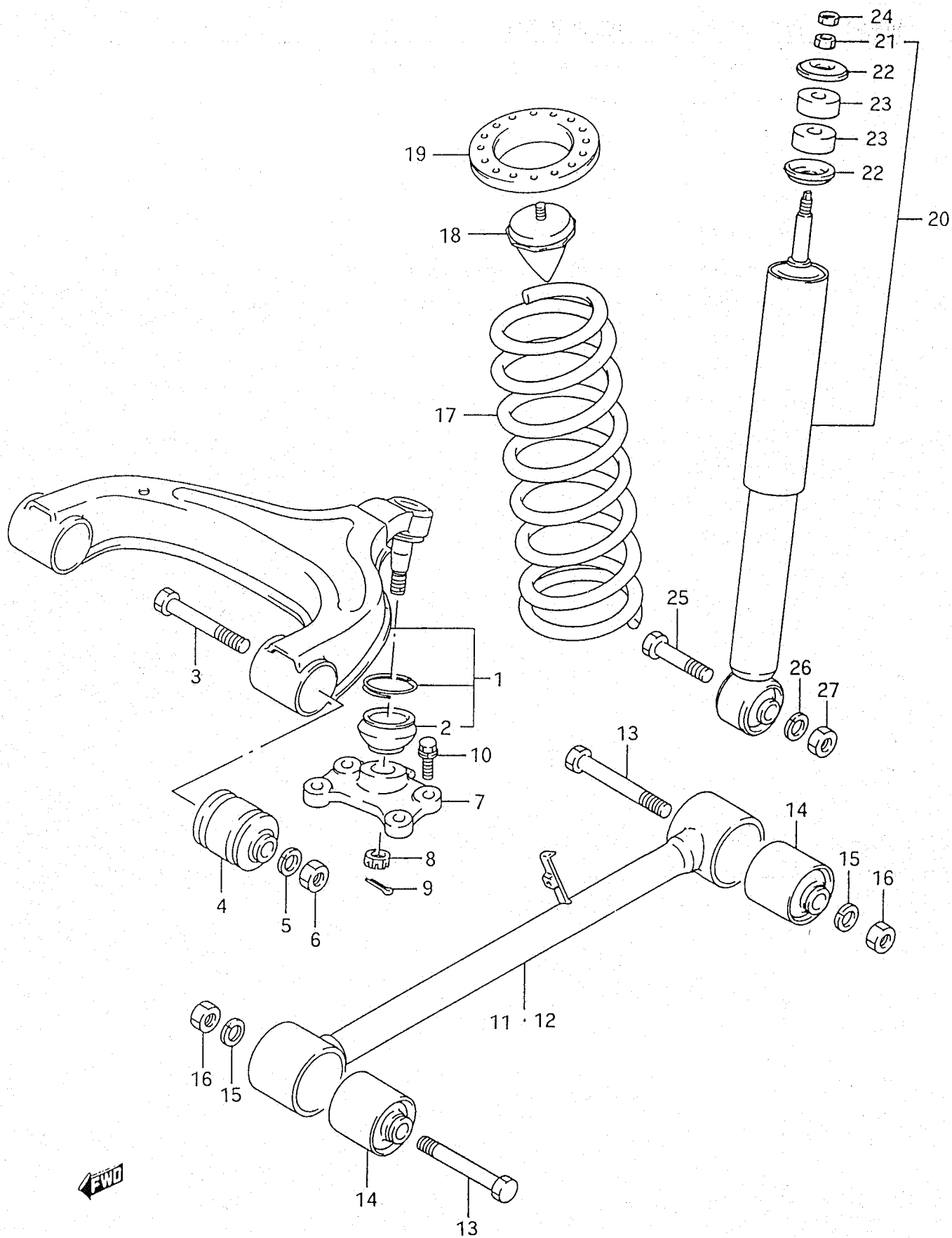


FIG. 52 (G- 7) REAR SUSPENSION



REF.NO.	PART NO.	DESCRIPTION	Q'TY		REMARKS
			C	V	
1	46200-56B00	ARM ASSY, suspension upper	1	1	
2	46206-60A00	.SEAL SET	1	1	
3	09100-12056	BOLT	2	2	
4	43215-85C00	BUSHING	2	2	
5	08321-01123	LOCK WASHER	2	2	
6	08310-00123	NUT	2	2	
7	46411-60A00	BOSS, ball joint	1	1	
8	08314-40143	NUT	1	1	
9	04111-30208	PIN	1	1	
10	01570-10303	BOLT	4	4	
11	46310-85C00	ROD, trailing RH	1	1	
12	46320-85C00	ROD, trailing LH	1	1	
13	09100-12056	BOLT	4	4	
14	46314-85C00	BUSHING	4	4	
15	08321-01123	LOCK WASHER	4	4	
16	08310-00123	NUT	4	4	
17	41311-85C00	SPRING, rear coil	2	2	
18	42110-85C00	STOPPER, bumper rear	2	2	
19	41211-60A00	SEAT, coil spring rubber	2	2	
20	41700-85C00	ABSORBER ASSY, rear shock	2	2	
21	08310-00103	.NUT	2	2	
22	09165-10003	.WASHER	4	4	
23	09320-10040	.BUSHING	4	4	
24	08310-00103	NUT	2	2	
25	09100-12057	BOLT	2	2	
26	08321-01123	LOCK WASHER	2	2	
27	08310-00123	NUT	2	2	

FIG. 53

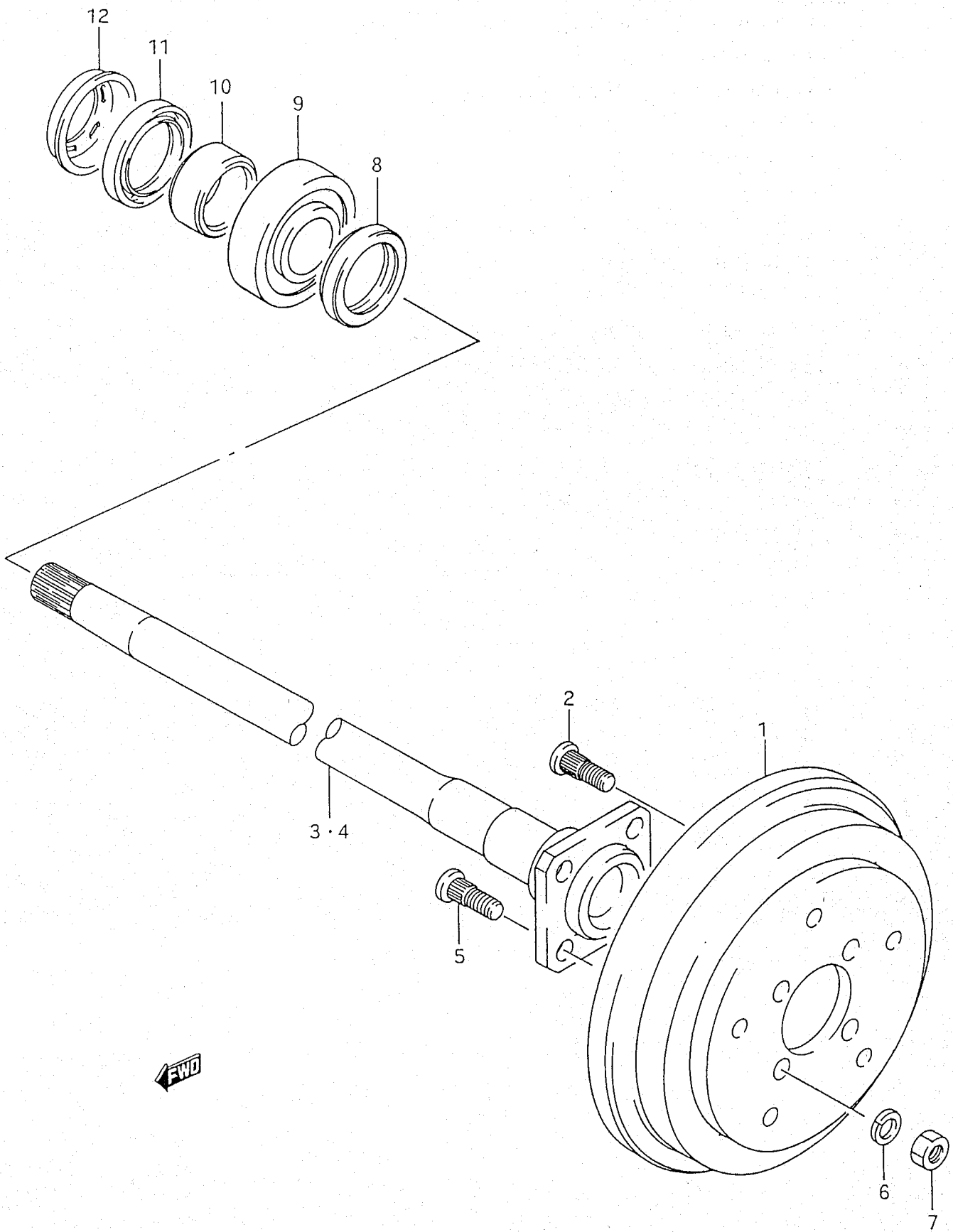


FIG.53 (G- 8) REAR AXLE AND BRAKE DRUM

REF.NO.	PART NO.	DESCRIPTION	Q'TY		REMARKS
			C	V	
1	43511-60A00	DRUM, rear brake	2	2	
2	44231-85C00	BOLT	10	10	
3	44211-85C00	SHAFT, rear axle RH	1	1	
4	44222-85C00	SHAFT, rear axle LH	1	1	
5	44231-85C00	BOLT	8	8	
6	08321-01123	LOCK WASHER	8	8	
7	08310-00123	NUT, rear hub	8	8	
8	09284-45001	SEAL, oil outer	2	2	
9	09269-35010	BEARING, rear wheel	2	2	
10	43485-73000	RING, bearing retainer	2	2	
11	09282-48003	SEAL, oil inner	2	2	
12	43588-73000	PROTECTOR, oil seal	2	2	

FIG. 54

8

TIRE INFLATION PRESSURE PRESSION D'UN PNEU GONFLÉ			
	KPa	kg/cm ²	PSI
FRONT AVANT	160	1.6	23
REAR ARRIÈRE	160	1.6	23

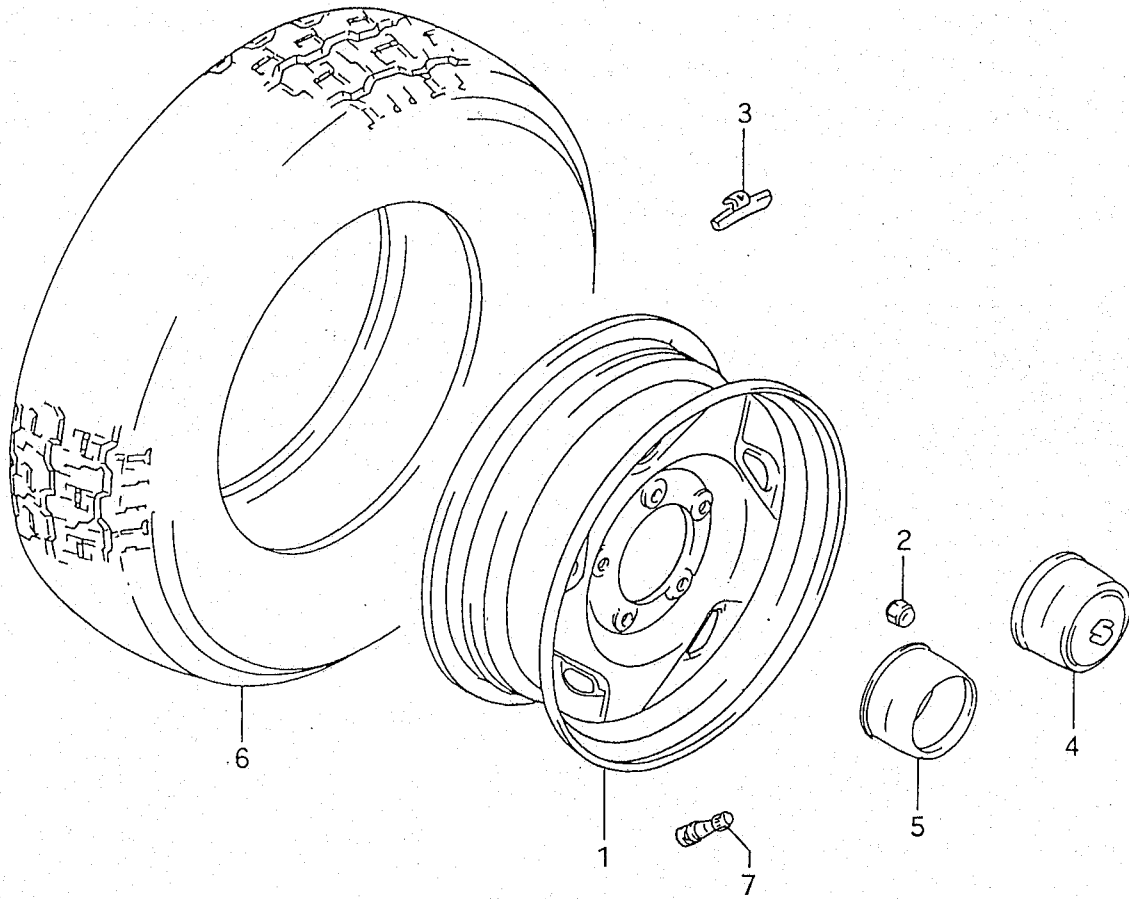


FIG.54 (G- 9) ROAD WHEEL

REF.NO.	PART NO.	DESCRIPTION	Q'TY		REMARKS
			C	V	
1	43210-85C00-39M	WHEEL, 15x51/2JJ (Silver)	5	5	
2	09159-12024	NUT	20	20	
3-1	43239-85C00	WEIGHT, balance (10gram)	AR	AR	
3-2	43241-85C00	WEIGHT, balance (20gram)	AR	AR	
3-3	43231-85C00	WEIGHT, balance (30gram)	AR	AR	
3-4	43232-85C00	WEIGHT, balance (40gram)	AR	AR	
3-5	43233-85C00	WEIGHT, balance (50gram)	AR	AR	
3-6	43234-85C00	WEIGHT, balance (60gram)	AR	AR	
3-7	43235-85C00	WEIGHT, balance (70gram)	AR	AR	
3-8	43236-85C00	WEIGHT, balance (80gram)	AR	AR	
4	43252-85C00	CAP, wheel center	2	2	
5	43252-60A10	CAP, wheel hub	2	2	
6	43110-85C00	TIRE (195R15)	5	5	
7	43130-85C00	VALVE, tire (TR413)	5	5	
8	79161-85C10	PLACARD, tire information	1	1	

FIG. 55

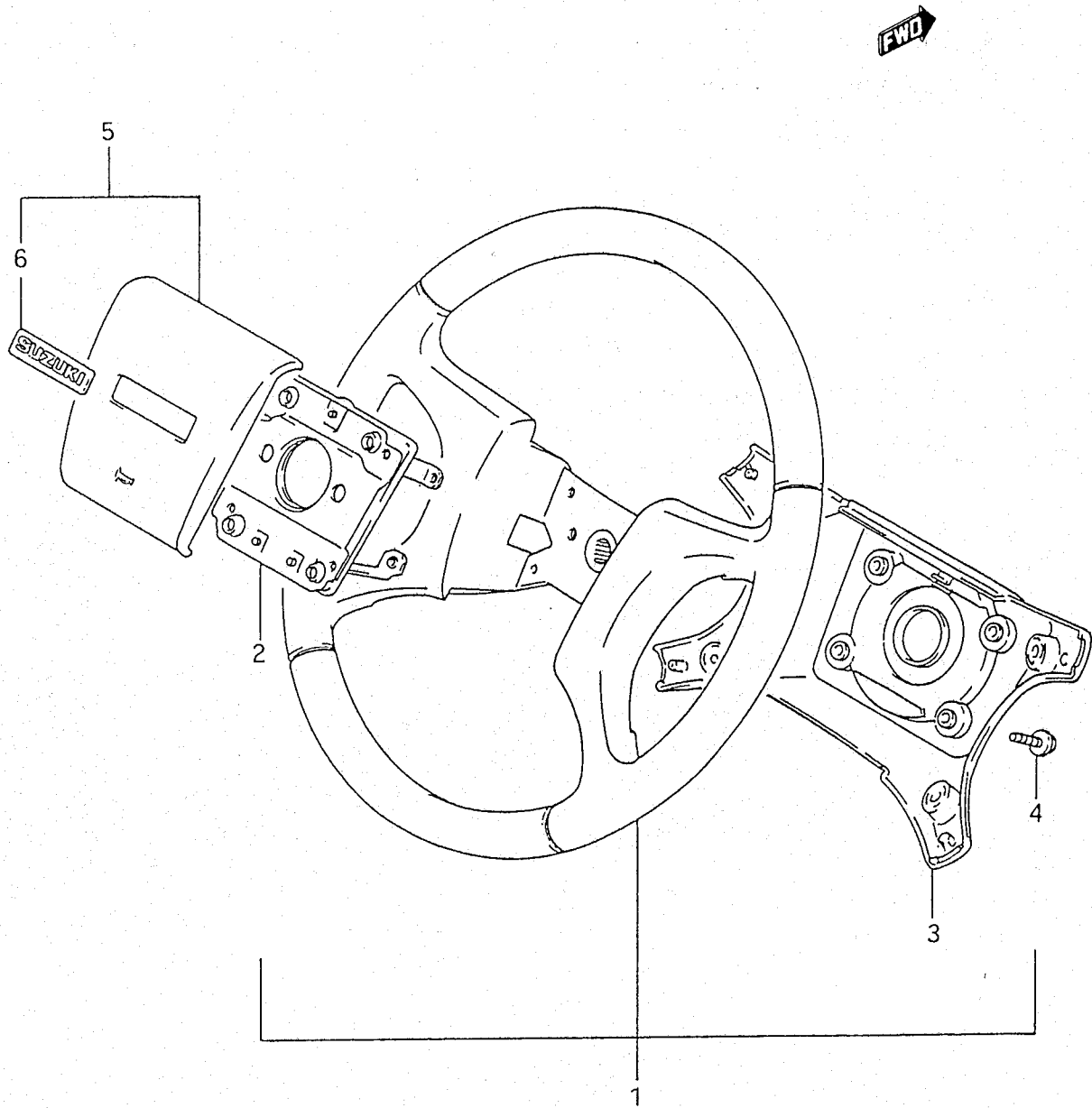


FIG. 55 (G-10) STEERING WHEEL

REF.NO.	PART NO.	DESCRIPTION	Q'TY		REMARKS
			C	V	
1	48110-85C40-5ES	WHEEL, steering (Black)	1	1	USE 48110-60A40-5ES
2	48120-85C40	.PLATE, horn button contact	1	1	→ 48120-60A10
3	48140-85C40-5ES	.COVER, steering wheel (Black)	1	1	USE 48140-60A40-5ES
4	48153-85C40	.SCREW	12	12	USE 48153-60A40
5	48130-85C10-5ES	BUTTON, horn (Black)	1	1	USE 48130-60A10-5ES
6	48131-85C10	.EMBLEM (AL SGOTAR. EXT.)	1	1	USE 48131-60A10

FIG. 56

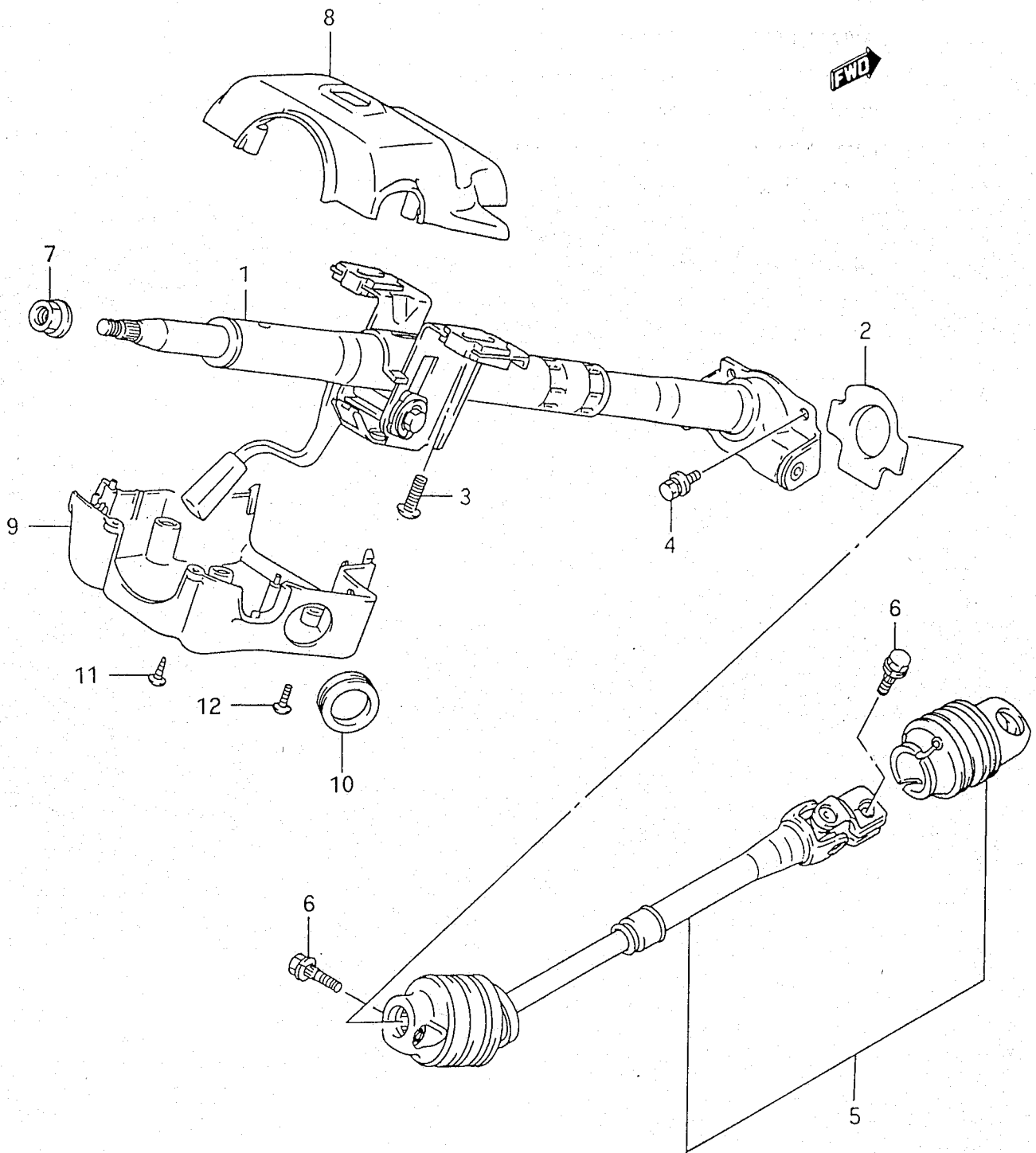


FIG. 56 (G-11) STEERING COLUMN

REF.NO.	PART NO.	DESCRIPTION	Q'TY		REMARKS
			C	V	
1	48200-60A90	COLUMN ASSY, tilt steering	1	1	
2	48491-60A00	SEAL, steering column rubber	1	1	
3	09139-08015	SCREW, steering column	2	2	
4	09118-08135	BOLT, steering column lower	4	4	
5	48220-57B62	SHAFT, steering, lower	1	1	
6	48239-85C00	BOLT, joint	2	2	
7	48219-85C00	NUT, steering shaft	1	1	
8	48411-85C00-5ES	COVER, steering column upper (Black)	1	1	
9	48421-85C00-5ES	COVER, steering column lower (Black)	1	1	
10	48419-60A00	SEAL, steering cover	1	1	
11	03211-05163	SCREW, steering cover	4	4	
12	02112-05126	SCREW, steering cover lower	2	2	

FIG. 57

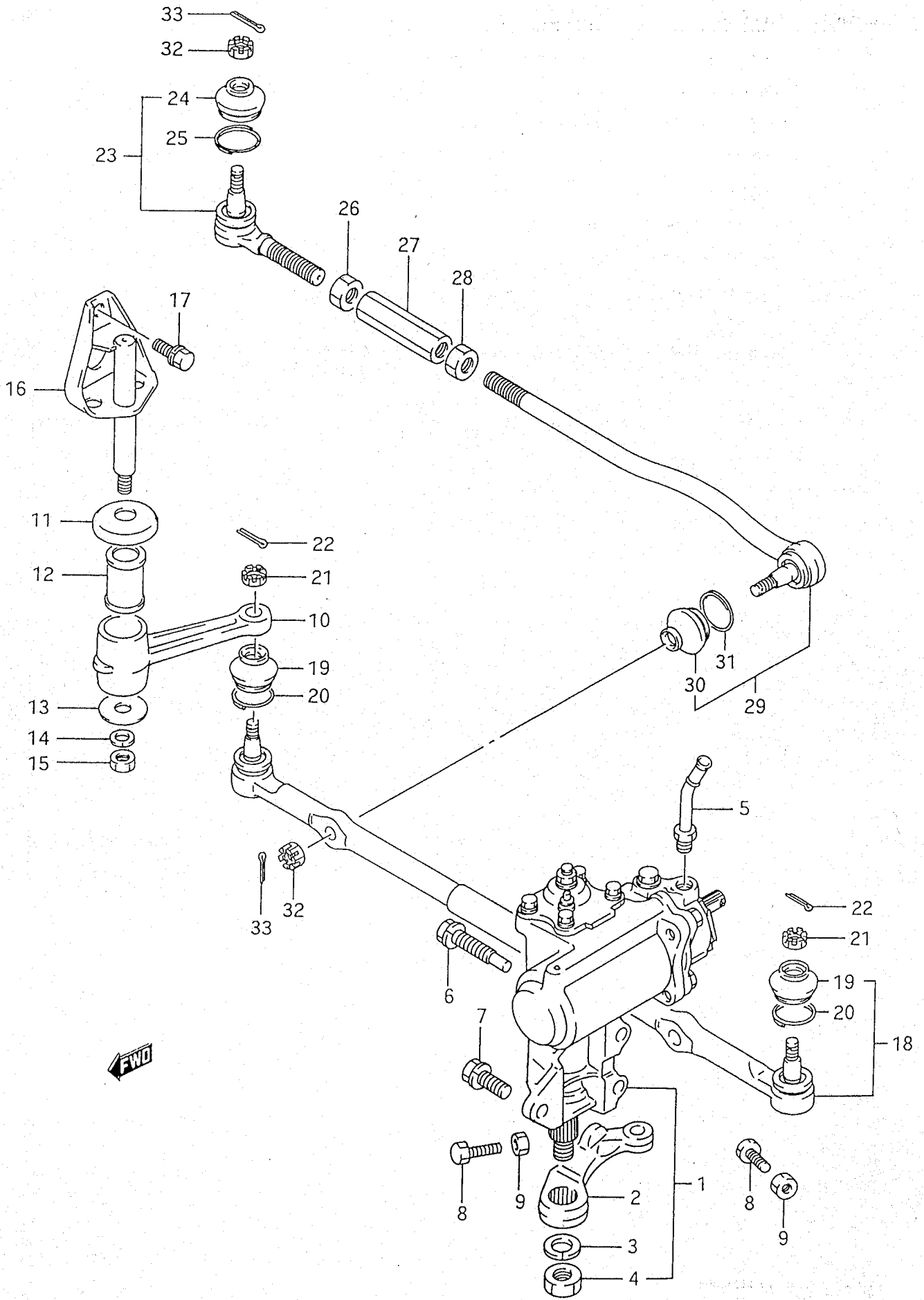


FIG. 57 (G-12) STEERING LINK AND GEAR BOX

REF.NO.	PART NO.	DESCRIPTION	Q'TY		REMARKS
			C	V	
1	48600-56B70	BOX ASSY, steering gear	1	1	
2	48671-60A70	.ARM, pitman	1	1	
3	08321-21208	.LOCK WASHER	1	1	
4	48674-63240	.NUT, pitman arm	1	1	
5	48691-56B70	.TUBE, return	1	1	
6	01570-12353	BOLT, gear box pilot	1	1	
7	01570-12353	BOLT	2	2	
8	48775-60A00	BOLT, stopper	2	2	
9	08310-00103	NUT	2	2	
10	48721-60A00	ARM, idler	1	1	
11	48771-60A00	WASHER, idler arm upper	1	1	
12	48750-60A00	BUSHING, idler arm	1	1	
13	09160-12079	WASHER (12.2x40x2.6)	1	1	
14	08321-01123	LOCK WASHER	1	1	
15	08310-00123	NUT	1	1	
16	48760-60A01	BRACKET, idler arm	1	1	
17	01570-10203	BOLT	3	3	
18	48850-85C00	LINK ASSY, steering center	1	1	
19	48814-80000	.SEAL SET, dust	2	2	
20	09401-27402	..CLIP, dust seal	2	2	
21	08314-40123	NUT	2	2	
22	04111-30208	COTTER PIN	2	2	
23	48810-85C00	END, steering tie rod RH	2	2	
24	48814-85C00	.SEAL SET, dust	2	2	
25	48815-85C00	..CLIP, dust seal	2	2	
26	09140-16022	NUT, tie rod end RH	2	2	
27	48836-85C00	CONNECTOR, tie rod end	2	2	
28	09140-16023	NUT, tie rod end LH	2	2	
29	48820-85C00	END, steering tie rod LH	2	2	
30	48814-85C00	.SEAL SET, dust	2	2	
31	48815-85C00	..CLIP, dust seal	2	2	
32	08314-40123	NUT	4	4	
33	04111-30208	COTTER PIN	4	4	

FIG. 58

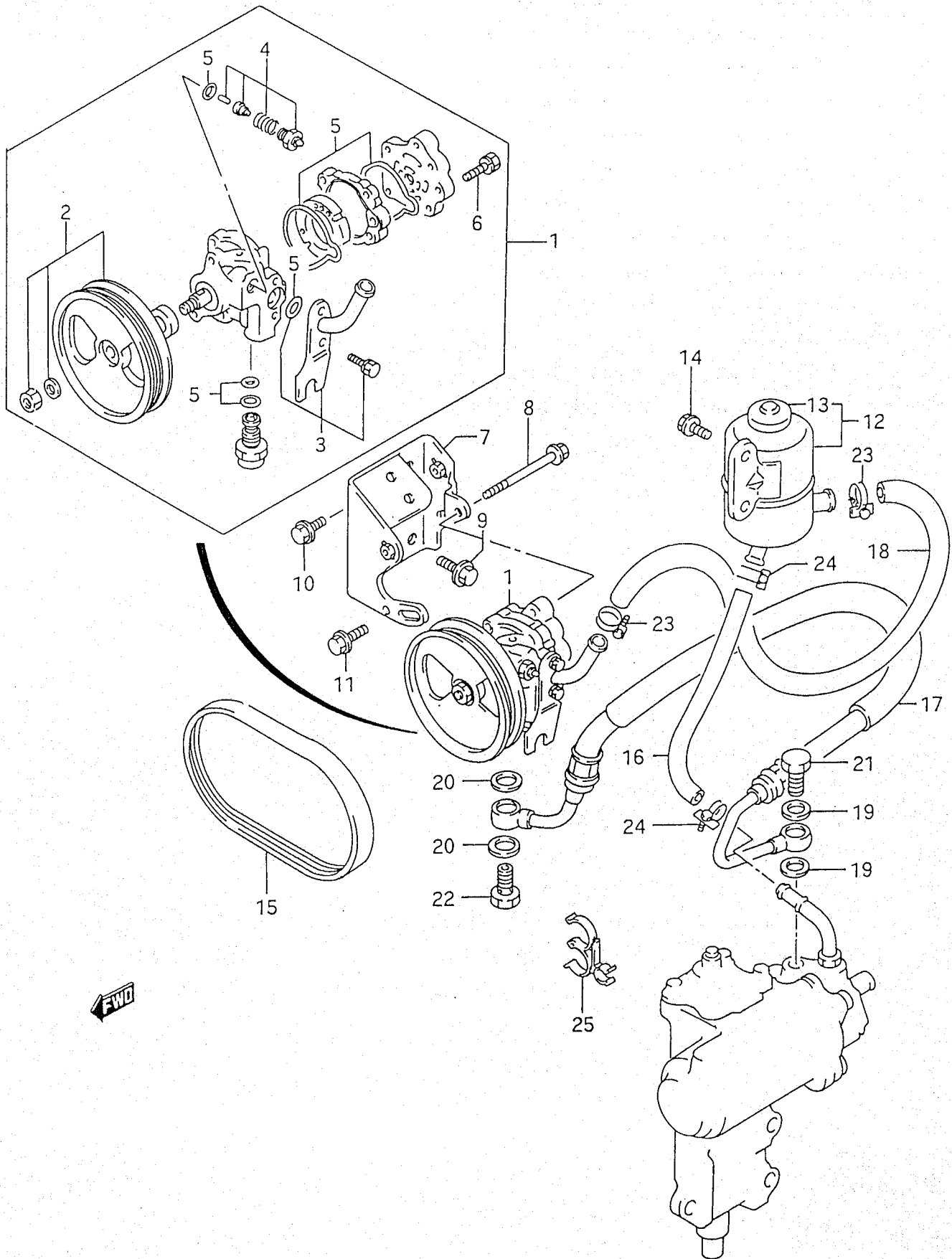


FIG.58 (G-13) POWER STEERING OIL PUMP

REF.NO.	PART NO.	DESCRIPTION	Q'TY		REMARKS
			C	V	
1	49100-56B00	PUMP ASSY, power steering.	1	1	
2	49111-60A00	.PULLEY SET	1	1	
3	49112-56B00	.CONNECTOR SET	1	1	
4	49113-86000	.TERMINAL SET	1	1	
5	49114-56B00	.SEAL SET	1	1	
6	49115-60A00	.BOLT SET	1	1	
7	49120-56B11	BRACKET, pump	1	1	
8	09103-08132	BOLT, pump	1	1	
9	01550-10203	BOLT, bracket No.1	2	2	
10	01550-08163	BOLT, pump holder	1	1	
11	01550-08203	BOLT, bracket No.2	1	1	
12	49140-56B00	TANK ASSY, power steering oil	1	1	
13	49141-60A00	.CAP, tank	1	1	
14	01550-06103	BOLT, tank	2	2	
15	17521-85C00	BELT, power steering	1	1	
16	49211-60A70	HOSE, return	1	1	
17	49210-56B70	HOSE, pressure	1	1	
18	49214-56B00	HOSE, suction	1	1	
19	09168-14009	GASKET, gear box (14x18x1.5)	2	2	
20	09168-16004	GASKET, power strg pump	2	2	
21	49251-85C00	BOLT, union gear box	1	1	
22	49252-85C00	BOLT, union pump	1	1	
23	09400-24301	CLAMP, suction	2	2	
24	49253-85C00	CLAMP, return	2	2	
25	09408-00128	CLAMP	1	1	

FIG. 59

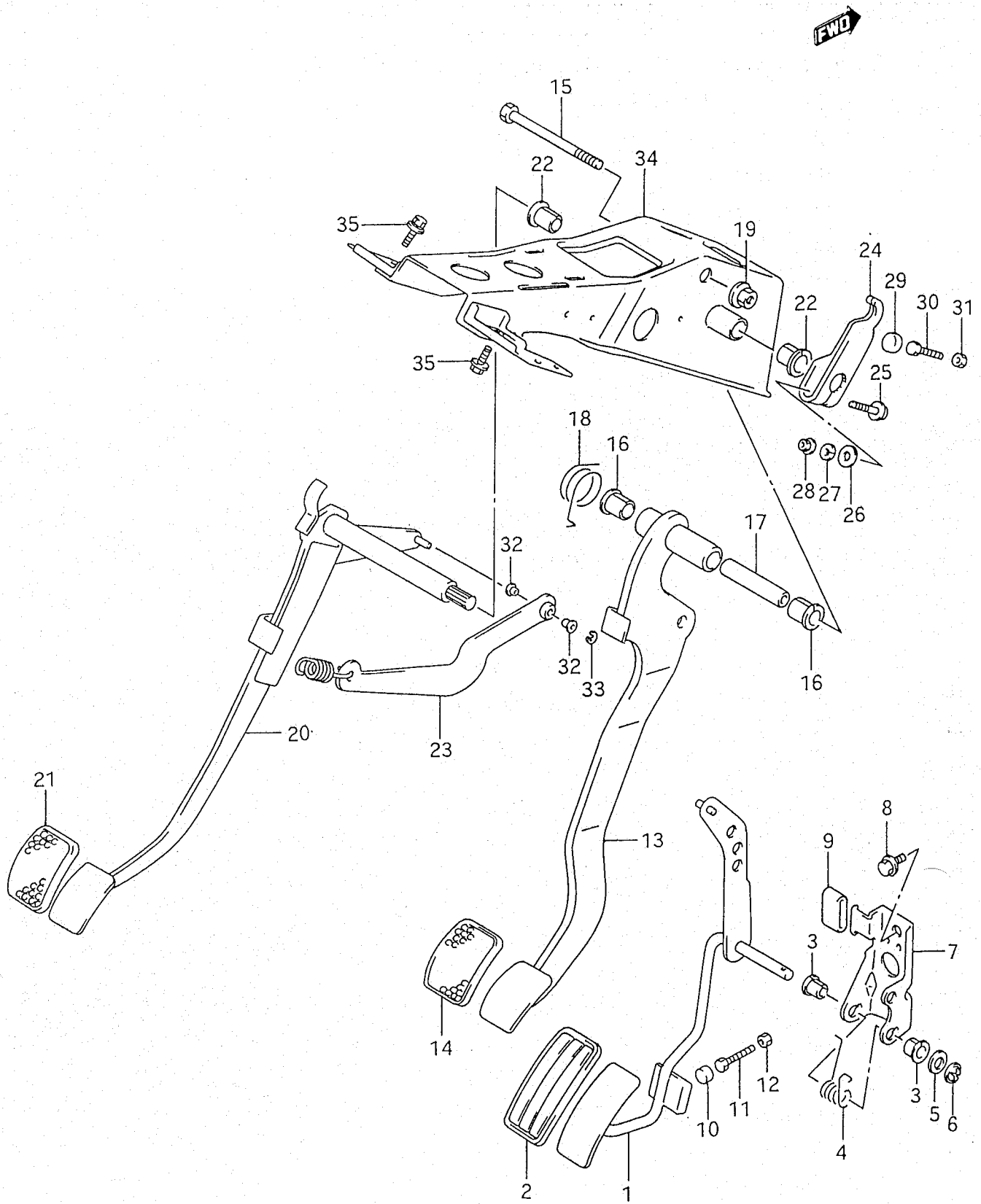


FIG. 59 (G-14) PEDAL AND PEDAL BRACKET

REF.NO.	PART NO.	DESCRIPTION	Q'TY		REMARKS
			C	V	
1	49410-60A01	PEDAL SET, accelerator	1	1	
2	49451-80100	PAD, accelerator pedal	1	1	
3	09307-09001	BUSH, pedal shaft	2	2	
4	09448-21003	SPRING, pedal return	1	1	
5	09160-09007	WASHER, pedal shaft (9.5x20x1)	1	1	
6	49481-85C00	NUT, push	1	1	
7	49511-60A00	BRACKET, accelerator	1	1	
8	01570-06123	BOLT, bracket	2	2	
9	49416-60A00	CUSHION, pedal return	1	1	
10	09251-09002	CUSHION, pedal stopper	1	1	
11	09100-06150	BOLT, pedal stopper	1	1	
12	08310-00063	NUT	1	1	
13	49610-57B00	PEDAL, brake	1	1	
14	49751-79001	PAD, pedal	1	1	
15	09100-10069	BOLT, pedal shaft (10x96)	1	1	
16	09306-13004	BUSH, pedal shaft	2	2	
17	09180-10118	SPACER, pedal (10.1x13x81)	1	1	
18	49617-56B00	SPRING, pedal return	1	1	
19	08316-10103	NUT, pedal	1	1	
20	49810-58B21	PEDAL, clutch	1	1	
21	49751-79001	PAD, pedal	1	1	
22	09307-16001	BUSHING, pedal shaft	2	2	
23	49830-57B00	SPRING ASSY, clutch pedal	1	1	
24	49820-60A00	ARM, clutch pedal shaft	1	1	
25	01550-08353	BOLT, arm	1	1	
26	08322-01083	WASHER, arm	1	1	
27	08321-01083	LOCK WASHER	1	1	
28	08310-00083	NUT, arm	1	1	
29	09251-09002	CUSHION, pedal return	1	1	
30	09100-06055	BOLT, pedal free height	1	1	
31	08310-00063	NUT, pedal free height	1	1	
32	09306-06004	BUSH, spring	2	2	
33	08332-11056	E RING	1	1	
34	49710-59B20	BRACKET, pedal	1	1	
35	01580-08203	BOLT, bracket	4	4	

FIG. 60

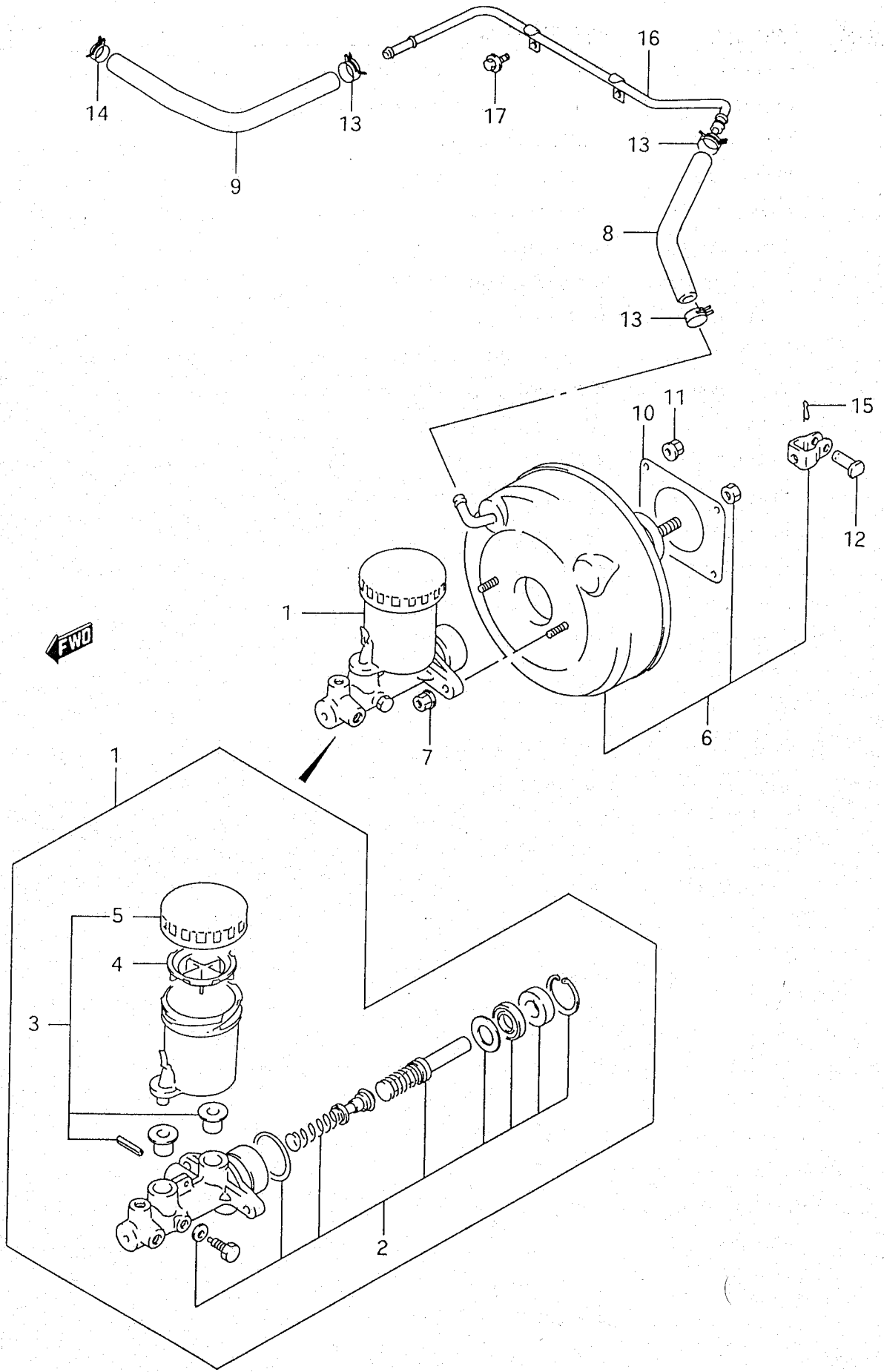


FIG. 60 (H- 2) BRAKE MASTER CYLINDER

REF.NO.	PART NO.	DESCRIPTION	Q'TY		REMARKS
			C	V	
1	51100-56B10	CYL SUB ASSY, brake master	1	1	
2	51100-70841	.PISTON SET, brake master	1	1	
3	51200-60A30	.RESERVOIR, master cylinder	1	1	
4	51234-60A20	.STRAINER, cylinder reservoir	1	1	
5	51220-60A20	.CAP ASSY, cylinder reservoir	1	1	
6	51300-60A60	BOOSTER ASSY, brake master	1	1	
7	51313-60B00	NUT, booster	2	2	
8	51020-56B40	HOSE, brake vacuum	1	1	
9	51831-60A01	HOSE, brake vacuum intake	1	1	
10	51132-82003	GASKET, brake master bracket	1	1	
11	09159-08069	NUT, brake master cylinder	4	4	
12	51811-85C00	PIN, brake master cylinder	1	1	
13	51911-85C00	CLAMP, brake vacuum hose	3	3	
14	51911-85C00	CLAMP, BK vacuum hose intake	1	1	
15	09385-10006	CLIP	1	1	
16	51380-60A11	PIPE, brake vacuum	1	1	
17	01550-06103	BOLT	2	2	

FIG. 61

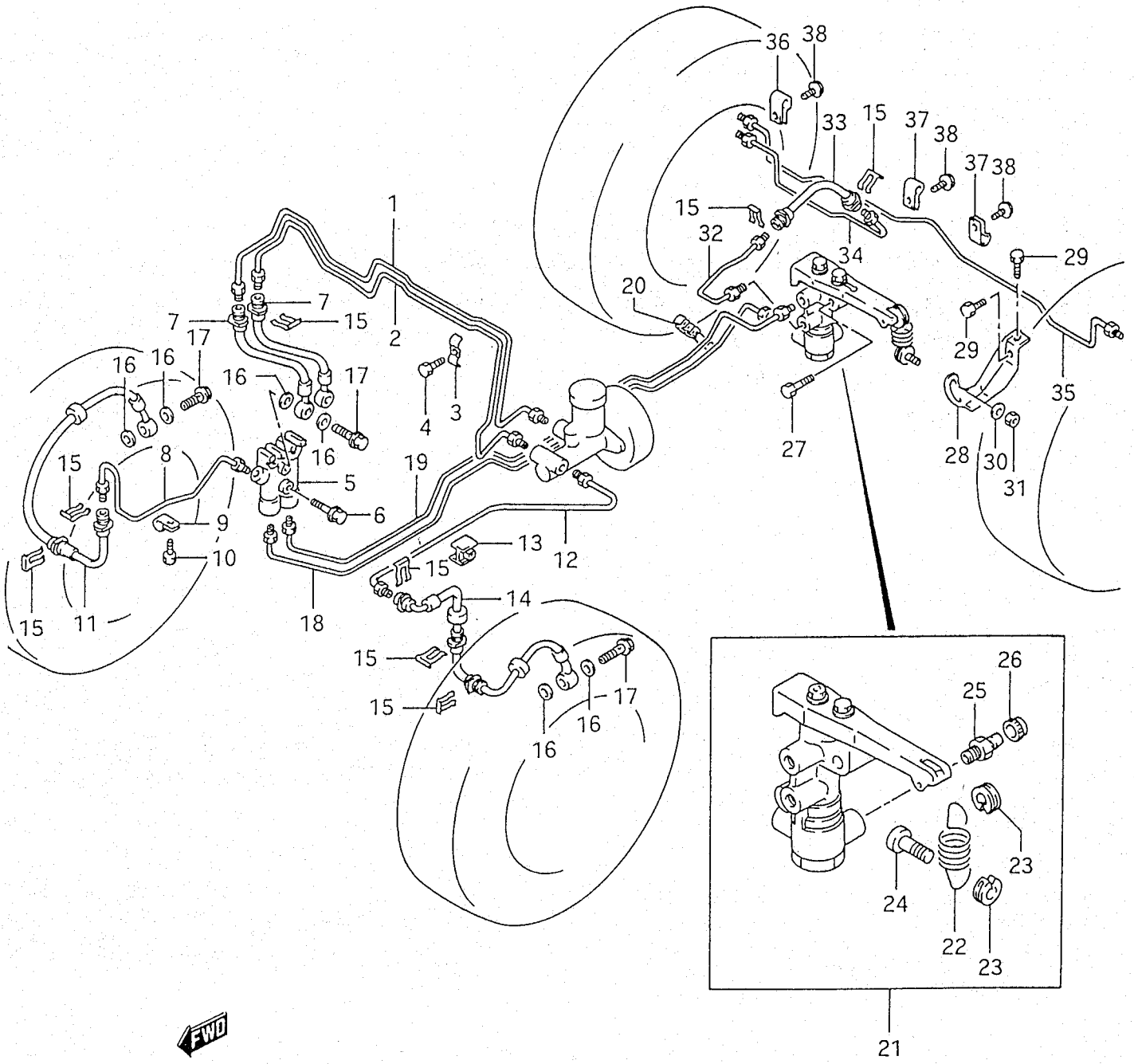


FIG.61 (H- 3) BRAKE PIPING

REF.NO.	PART NO.	DESCRIPTION	Q'TY		REMARKS
			C	V	
1	51410-56B10	PIPE, master primary to joint	1	1	
2	51520-56B10	PIPE, MA secondary to joint	1	1	
3	09403-07312	CLAMP	3	3	
4	01570-06123	BOLT	3	3	
5	51640-60A30	JOINT, brake 5 way	1	1	
6	01550-06403	BOLT	2	2	
7	51570-85C00	HOSE, master cylinder flexible	2	2	
8	51420-60A00	PIPE, joint to brake hose	1	1	
9	51781-85C00	CLAMP	1	1	
10	01570-06123	BOLT	1	1	
11	51540-85C00	HOSE, front flexible RH	1	1	
12	51430-60A60	PIPE, MA cylinder to hose	1	1	
13	51435-60A00	CLAMP	1	1	
14	51550-85C00	HOSE, front flexible LH	1	1	
15	51593-85C00	E RING	9	9	
16	51591-85C00	GASKET, flexible hose	8	8	
17	51592-85C00	BOLT	4	4	
18	51340-60A00	PIPE, joint valve front	1	1	
19	51460-60A00	PIPE, joint to valve rear	1	1	
20	51465-60A00	CLAMP	1	1	

FIG. 61

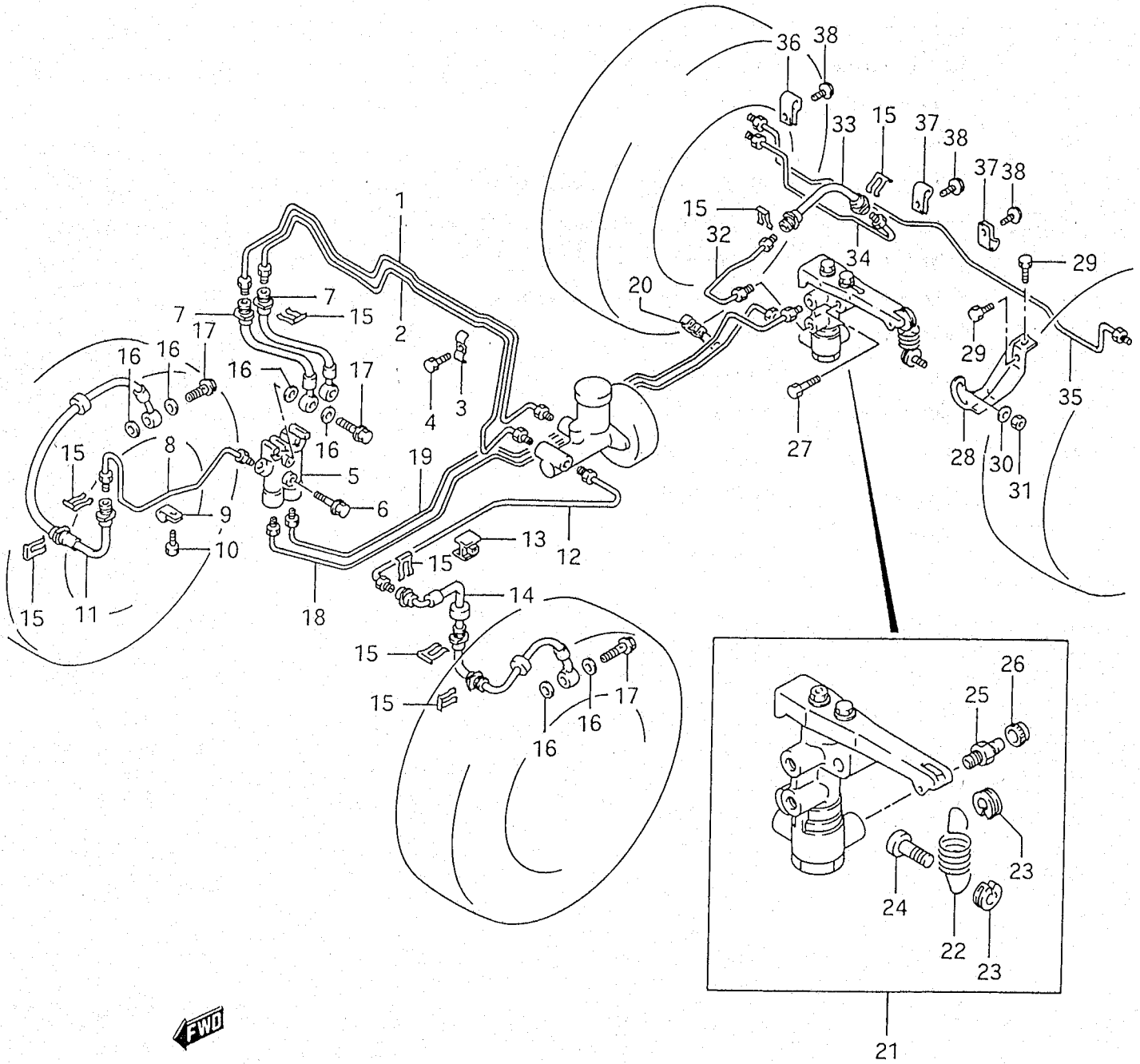


FIG. 61 (H- 4) BRAKE PIPING

REF.NO.	PART NO.	DESCRIPTION	Q'TY		REMARKS
			C	V	
21	51930-60A20	VALVE ASSY, load sensing propn	1	1	
22	51933-60A20	.SPRING, load sensing	1	1	
23	51932-60A20	.COLLAR, spring	2	2	
24	51931-60A20	.BOLT, adjuster	1	1	
25	55473-82030	.PLUG, bleeder	1	1	
26	52474-60010	.CAP, bleeder plug	1	1	
27	01550-08353	BOLT	2	2	
28	51955-60A20	STAY, proportioning valve	1	1	
29	01550-08163	BOLT, stay	2	2	
30	08322-01083	WASHER	1	1	
31	08310-00083	NUT	1	1	
32	51350-60A00	PIPE, valve to rear brake hose	1	1	
33	51560-83031	HOSE, rear brake flexible	1	1	
34	51470-60A10	PIPE, hose to wheel	1	1	
35	51480-60A11	PIPE, rear brake	1	1	
36	09403-06404	CLAMP	1	1	
37	51781-85C10	CLAMP	4	4	
38	51791-85C00	SCREW, tapping	5	5	

FIG. 62

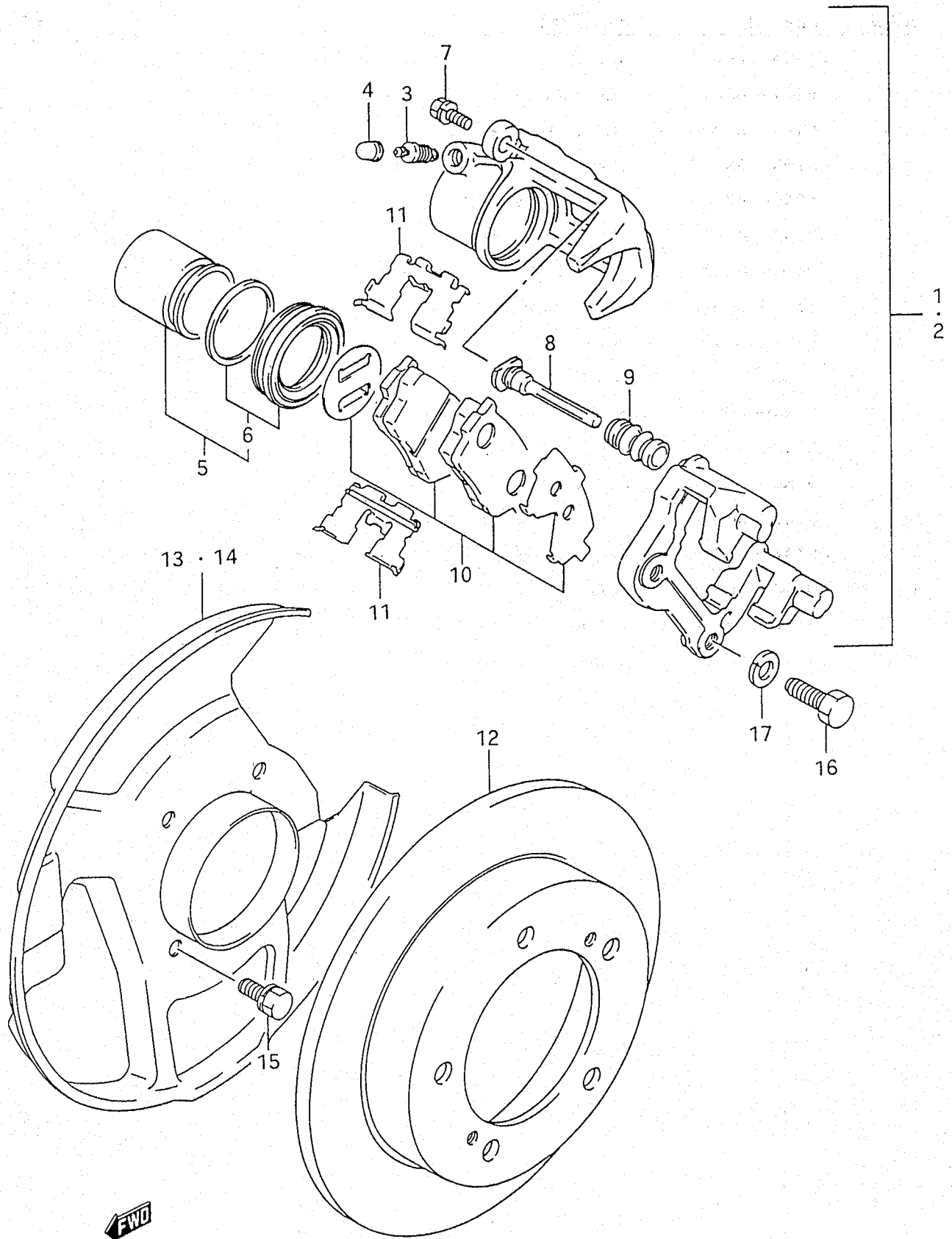


FIG.62 (H- 5) FRONT BRAKE

REF.NO.	PART NO.	DESCRIPTION	Q'TY		REMARKS
			C	V	
1	55101-60A02	CALIPER ASSY, front brake RH	1	1	
2	55102-60A02	CALIPER ASSY, front brake LH	1	1	
3	55473-82030	.PLUG, bleeder	2	2	
4	55156-66310	.CAP, bleeder plug	2	2	
5	55100-60810	.PISTON & SEAL SET	2	2	
6	55100-60820	..SEAL SET, piston	2	2	
7	55206-60A00	.BOLT, brake calipers	4	4	
8	55191-60A00	.PIN, cylinder slide	4	4	
9	55201-60A00	.BOOT, pin dust	4	4	
10	55200-61870	.PAD SET, disc brake	1	1	
11	55234-60A00	.SPRING, anti rattle outer	4	4	
12	55211-60A00	DISC, front brake	2	2	
13	55221-56B10	COVER, brake disc dust RH	1	1	
14	55222-56B10	COVER, brake disc dust LH	1	1	
15	55391-85C00	BOLT, spindle	8	8	
16	09100-12111	BOLT, brake caliper	4	4	
17	08321-01123	LOCK WASHER	4	4	

FIG. 63

53200-60061

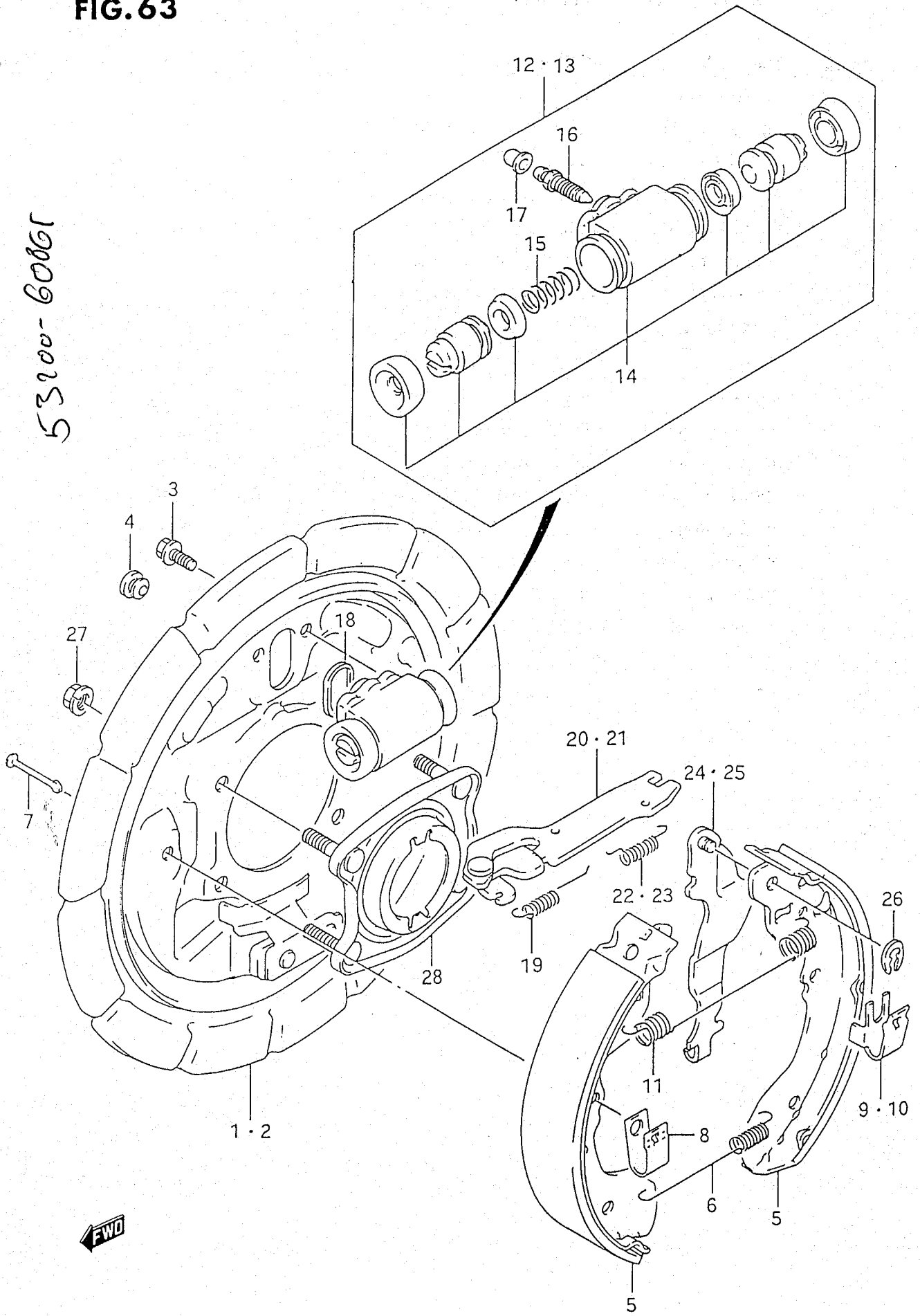


FIG. 63 (H- 6) REAR BRAKE

REF.NO.	PART NO.	DESCRIPTION	Q'TY		REMARKS
			C	V	
1	53110-60A70	PLATE, backing RH	1	1	
2	53120-60A70	PLATE, backing LH	1	1	
3	01550-06103	BOLT, wheel cylinder	4	4	
4	53141-84010	PLUG, backing plate	2	2	
5	53210-60A30	SHOE, brake	4	4	
6	53232-85120	SPRING, shoe return lower	2	2	
7	53241-82030	PIN, shoe hold down	4	4	
8	53243-85010	SPRING, shoe hold down	2	2	
9	53244-82031	SPRING, shoe hold down RH	1	1	
10	53245-82031	SPRING, shoe hold down LH	1	1	
11	53331-60A70	SPRING, shoe return upper A	2	2	
12	53401-56B00	CYLINDER ASSY, rear wheel RH	1	1	
13	53402-56B00	CYLINDER ASSY, rear wheel LH	1	1	
14	53400-60820	.CUP SET, wheel cylinder	2	2	
15	53441-56B00	.SPRING, wheel cylinder	2	2	
16	55473-82030	.PLUG, bleeder	1	1	
17	52474-60010	.CAP, bleeder plug	1	1	
18	53417-82030	GASKET, RR wheel cylinder	2	2	
19	53714-85010	SPRING, quadrant	2	2	
20	53810-60A70	STRUT ASSY, brake RH	1	1	
21	53820-60A70	STRUT ASSY, brake LH	1	1	
22	54524-19B00	SPRING, antirattle RH	1	1	
23	54824-19B00	SPRING, antirattle LH	1	1	
24	53720-60A70	LEVER, parking shoe RH	1	1	
25	53730-60A70	LEVER, parking shoe LH	1	1	
26	53712-83300	RETAINER, parking lever	2	2	
27	09159-08075	NUT, rear brake	8	8	
28	53820-60A00	RETAINER, rear wheel outer	2	2	

FIG. 64

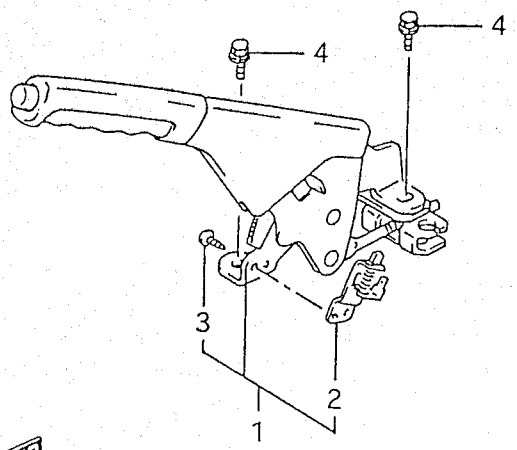
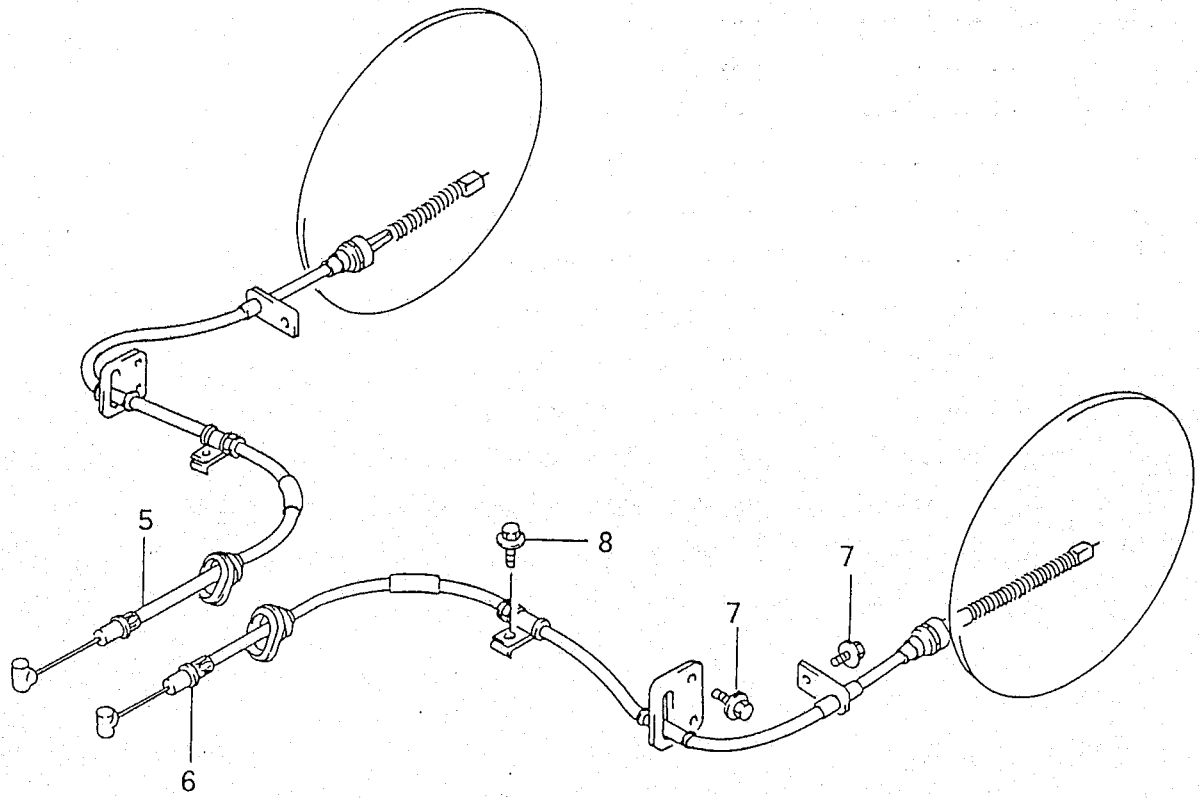


FIG.64 (H- 7) PARKING BRAKE

REF.NO.	PART NO.	DESCRIPTION	Q'TY		REMARKS
			C	V	
1	54100-60A10	LEVER ASSY, parking brake	1	1	
2	37940-60A10	.SWITCH ASSY	1	1	
3	02142-04103	.SCREW	1	1	
4	01570-08203	BOLT, parking brake lever	3	3	
5	54410-60A60	CABLE, parking brake RH	1	1	
6	54420-60A60	CABLE, parking brake LH	1	1	
7	09116-06144	BOLT, parking cable hanger	6	6	
8	01550-08123	BOLT, parking cable clamp	2	2	

FIG. 65

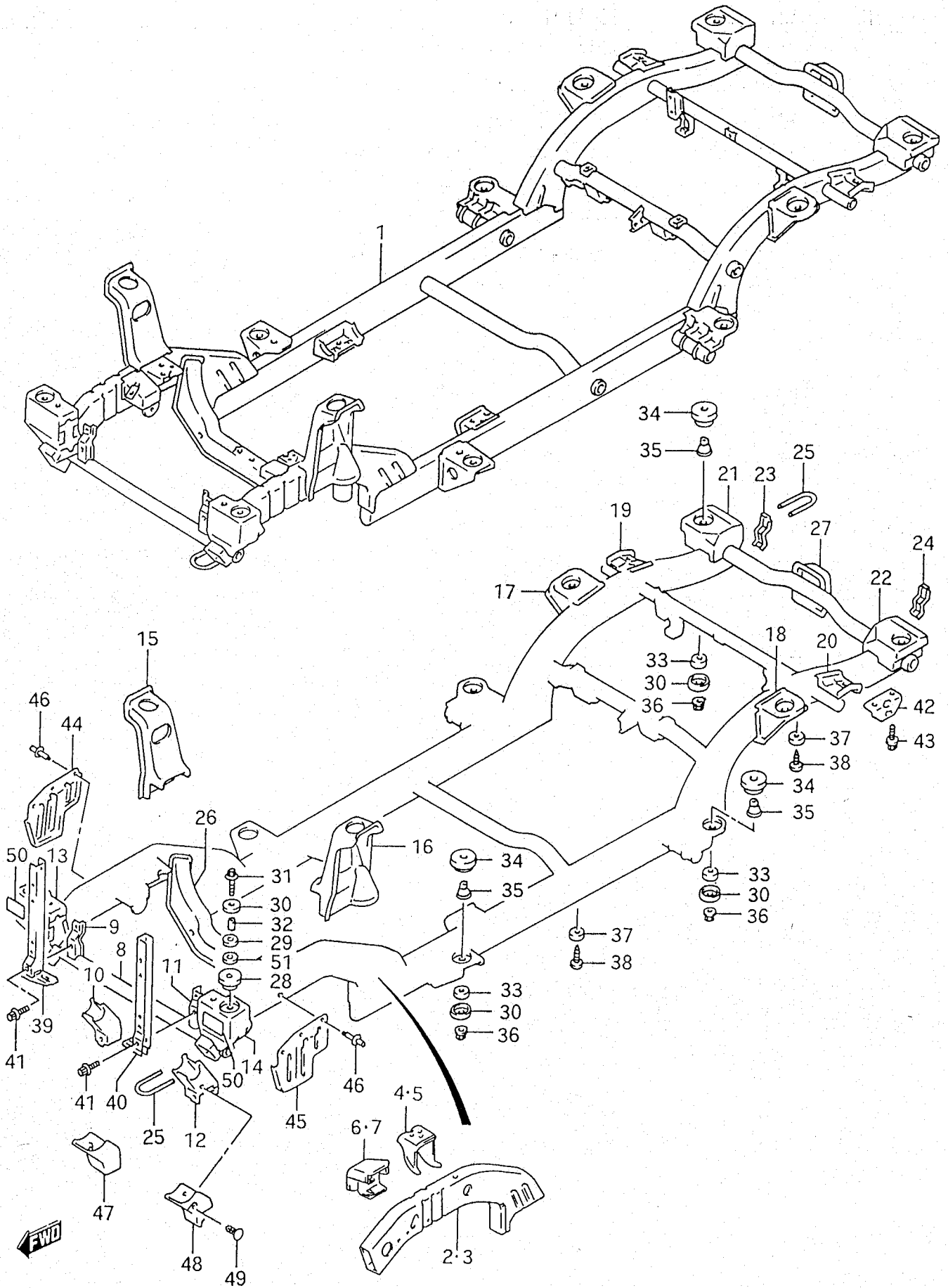


FIG.65 (I- 2) CHASSIS FRAME

REF.NO.	PART NO.	DESCRIPTION	Q'TY		REMARKS
			C	V	
1	57000-85C00	CHASSIS FRAME	1	1	
2	57110-60A01	.MEMBER, side frame front RH	1	1	
3	57160-85C00	.MEMBER, side frame front LH	1	1	
4	57511-60A00	.BRACKET, ENG mounting RH	1	1	
5	57521-60A00	.BRACKET, ENG mounting LH	1	1	
6	57620-60A00	.BRACKET, FR diff MTG RH	1	1	
7	57630-60A00	.BRACKET, FR diff MTG LH	1	1	
8	57211-60A00	.CROSSMEMBER, 1st	1	1	
9	57551-60A10	.BRACKET, radiator stay RH	1	1	
10	57710-60A00	.HANGER, FR suspension arm RH	1	1	
11	57561-60A00	.BRACKET, radiator stay LH	1	1	
12	57720-60A00	.HANGER, FR suspension arm LH	1	1	
13	57310-60A01	.BRACKET, 1st mounting RH	1	1	
14	57320-60A01	.BRACKET, 1st mounting LH	1	1	
15	57730-60A02	.BRACKET, front strut RH	1	1	
16	57740-60A02	.BRACKET, front strut LH	1	1	
17	57810-56B00	.BRACKET, rear coil spring RH	1	1	
18	57820-56B00	.BRACKET, rear coil spring LH	1	1	
19	57831-56B00	.BRACKET, RR shock absorber RH	1	1	
20	57841-56B00	.BRACKET, RR shock absorber LH	1	1	
21	57370-60A00	.BRACKET, 4th mounting RH	1	1	
22	57380-60A00	.BRACKET, 4th mounting LH	1	1	
23	57481-60A00	.BRACKET, rear bumper side RH	1	1	
24	57482-60A00	.BRACKET, rear bumper side LH	1	1	
25	57941-60A00	.HOOK, towing	2	2	
26	57220-60A00	.CROSSMEMBER, 2ND	1	1	
27	57260-60A00	.CROSSMEMBER, tail	1	1	

FIG. 65

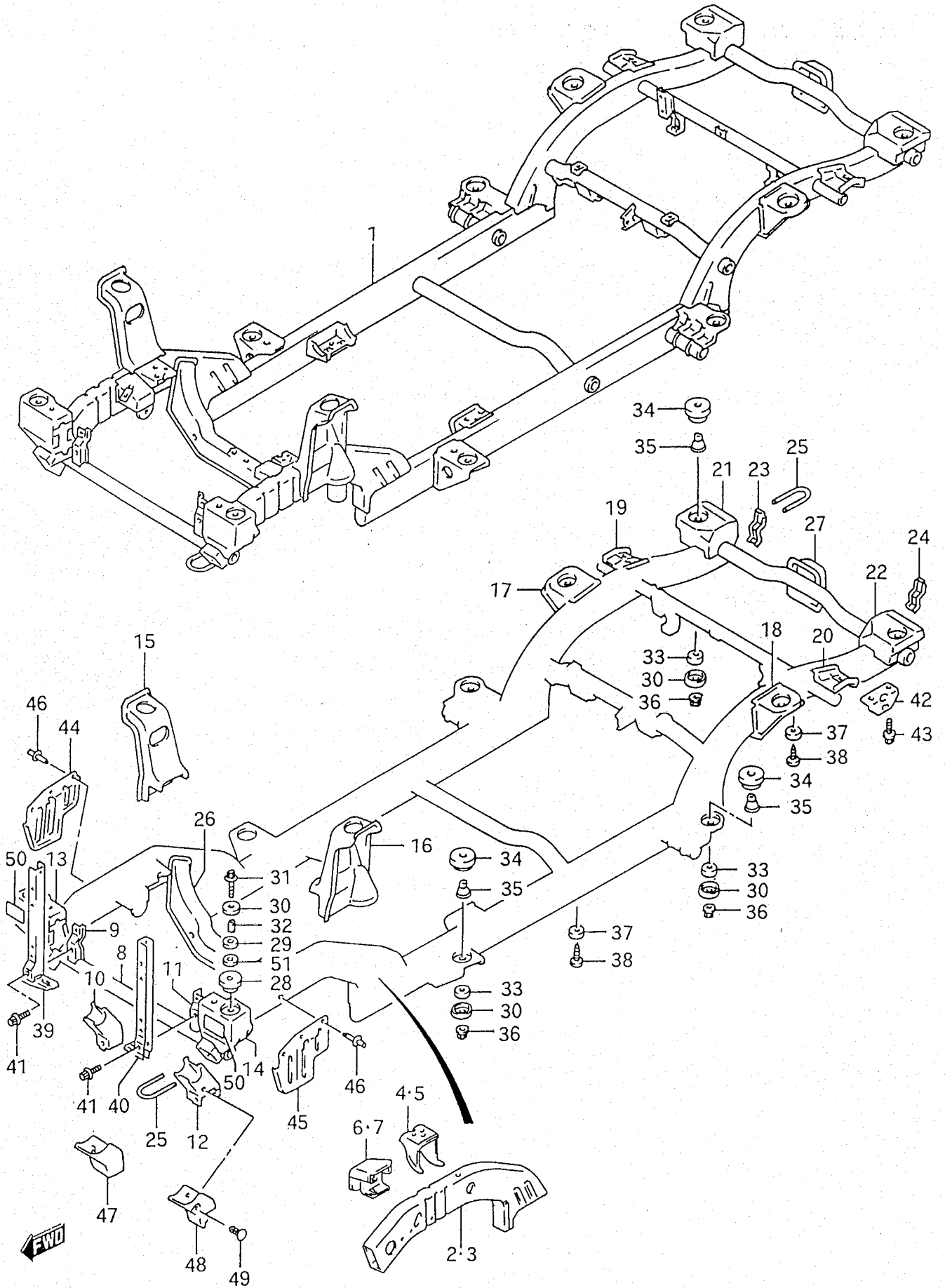


FIG. 65 (I- 3) CHASSIS FRAME

REF.NO.	PART NO.	DESCRIPTION	Q'TY		REMARKS
			C	V	
28	71514-60A00	CUSHION, front mounting lower	2	2	
29	71515-60A00	CUSHION, front mounting upper	2	2	
30	71632-83010	BOTTOM, body mounting	8	8	
31	01570-10853	BOLT	2	2	
32	71516-85C00	COLLAR, body mounting	2	2	
33	71512-60A00	CUSHION, body mounting lower	6	6	
34	71511-60A00	CUSHION, body mounting upper	6	6	
35	71513-60A00	COLLAR, body mounting	6	6	
36	59919-85C00	NUT, body mounting	6	6	
37	71521-60A00	PAD, body mounting	4	4	
38	59936-85C00-5PK	CLIP, body mounting (Black)	4	4	
39	71410-60A21	STAY, radiator RH	1	1	
40	71420-60A11	STAY, radiator LH	1	1	
41	01570-08203	BOLT, radiator stay	4	4	
42	71451-60A00	HOOK, shipping rear	1	1	
43	09103-12043	BOLT, shipping hook	2	2	
44	72211-60A00	FLAP, front frame side RH	1	1	
45	72221-60A00	FLAP, front frame side LH	1	1	
46	09409-06318	CLIP, flap	4	4	
47	71461-60A00	COVER, front arm hanger RH	1	1	
48	71471-60A00	COVER, front arm hanger LH	1	1	
49	59931-85C00	CLIP, hanger cover	2	2	
50	71481-60A00	PROTECTOR, mounting	2	2	
51	71517-56B01	SPACER, body front mounting	2	2	

FIG. 66

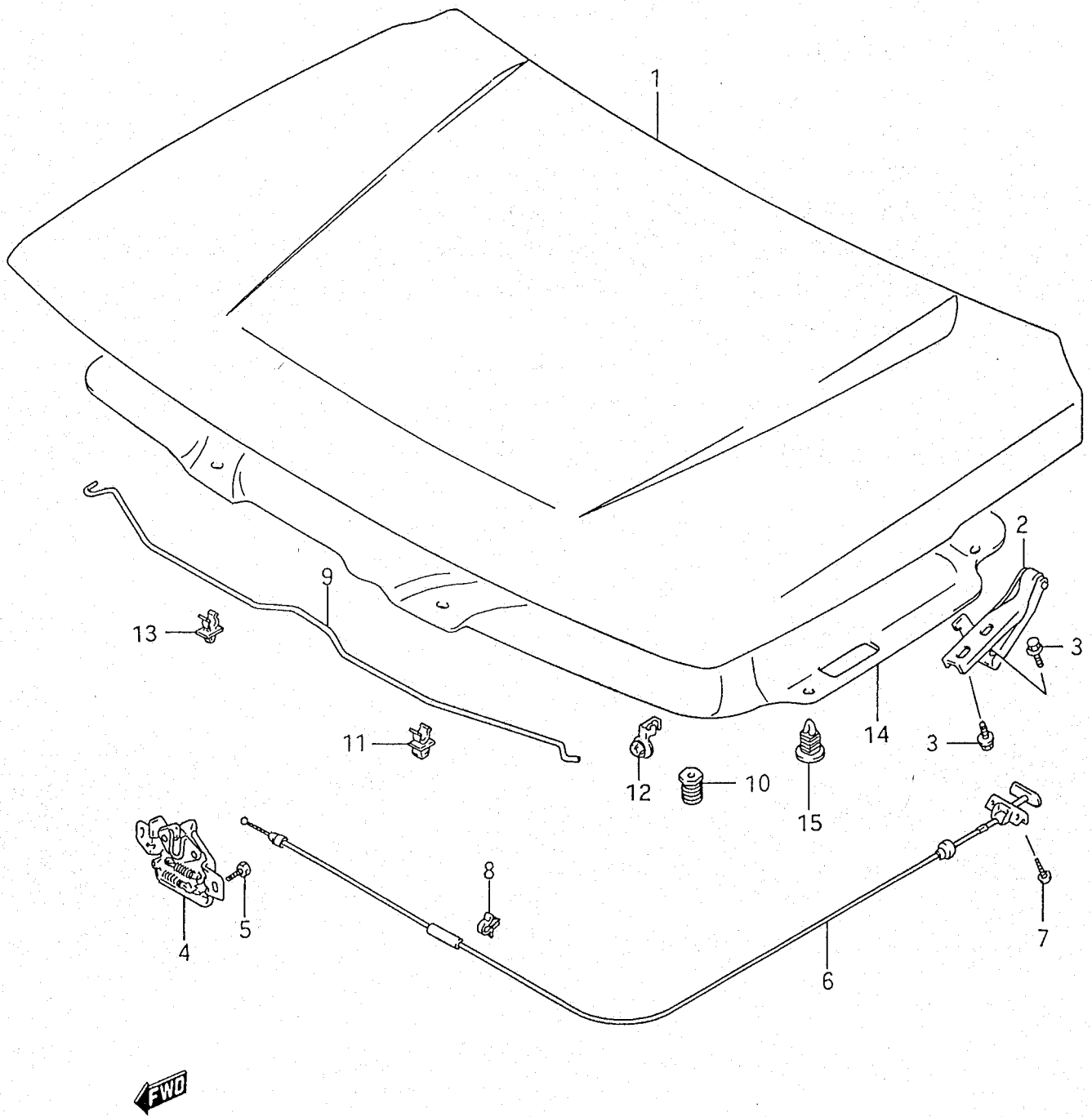


FIG.66 (I- 4) ENGINE FRONT HOOD

REF.NO.	PART NO.	DESCRIPTION	Q'TY		REMARKS
			C	V	
1	58300-60A21	PANEL ASSY, front hood	1	1	
2	58410-60A10	HINGE, front hood	2	2	
3	01580-06163	BOLT, hinge	8	8	
4	82110-85C00	LATCH, hood	1	1	
5	01580-06123	BOLT, hood latch	2	2	
6	82160-85C00	CABLE, hood latch release	1	1	
7	03541-05203	SCREW, release cable holder	2	2	
8	82192-85C00	CLAMP, hood latch cable	2	2	
9	72431-60A02	STAY, front hood	1	1	
10	72372-85C00	CUSHION, front hood	2	2	
11	72432-60A00	GUIDE, hood stay	1	1	
12	09209-14001	LINKAGE, front hood stay	1	1	
13	09403-07307-5PK	CLAMP, hood stay (Black)	1	1	
14	75270-56B00	SILENCER, front hood	1	1	
15	09409-06309-5ES	CLIP, hood silencer (Black)	8	8	

FIG. 67

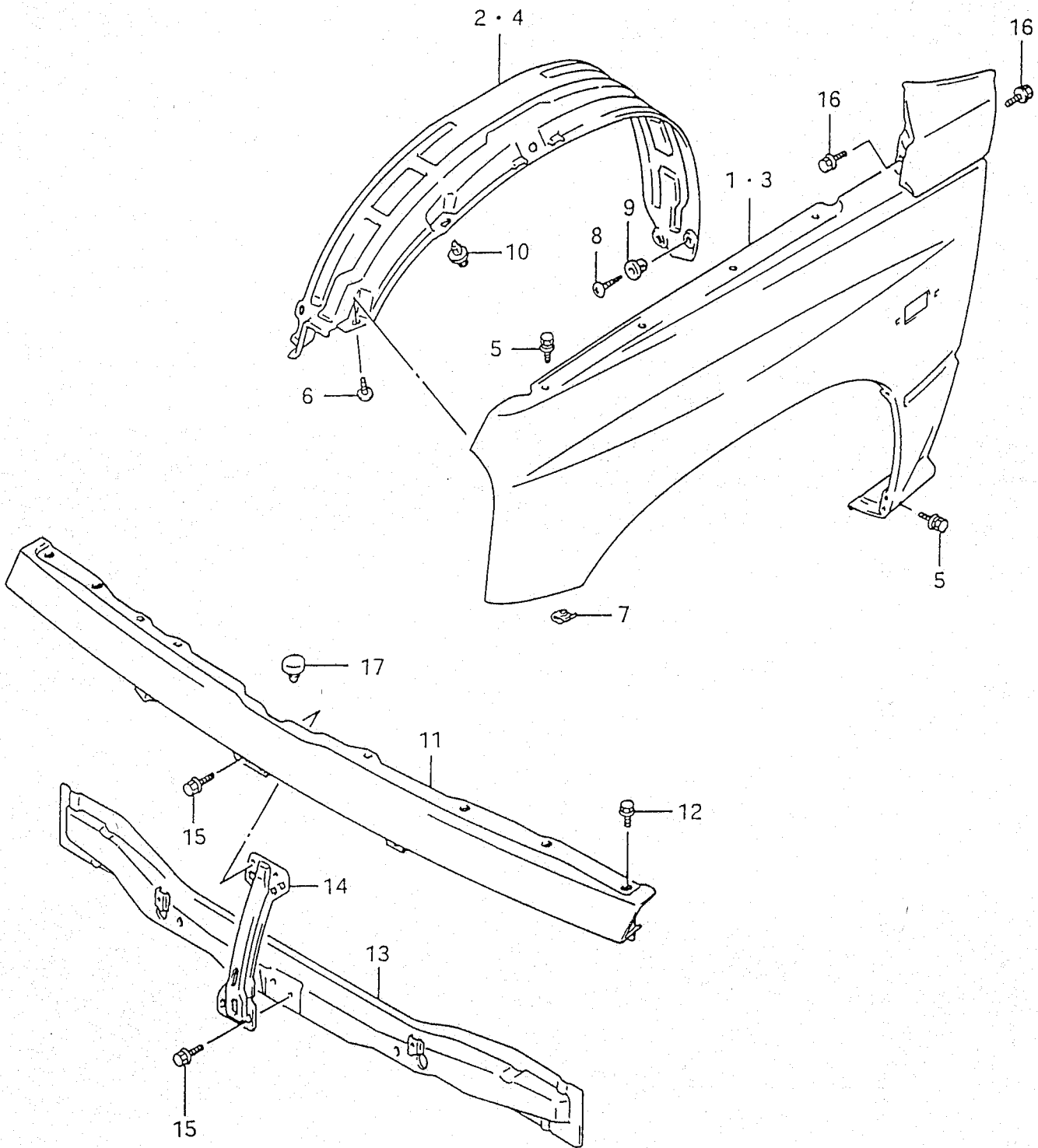


FIG.67 (I- 5) FRONT FENDER AND LINING

REF.NO.	PART NO.	DESCRIPTION	Q'TY		REMARKS
			C	V	
1	58600-60A21	PANEL ASSY, front fender RH	1	1	
2	72481-85C00	LINING, front fender RH	1	1	
3	58800-60A21	PANEL ASSY, front fender LH	1	1	
4	72482-85C00	LINING, front fender LH	1	1	
5	09136-06078	SCREW, front fender	12	12	
6	03241-06103	SCREW, front fender	2	2	
7	59911-85C00	NUT, front fender	2	2	
8	03242-06163	SCREW, fender lining	4	4	
9	59981-85C00	NUT, fender lining	4	4	
10	59932-85C00	CLIP, fender lining	12	12	
11	58110-85C00	PANEL, front panel upper	1	1	
12	09136-06078	SCREW, front panel	10	10	
13	58190-60A01	MEMBER, front panel lower	1	1	
14	72411-60A01	MEMBER, front panel center	1	1	
15	01550-06103	BOLT, panel center	4	4	
16	09136-06078	SCREW, cowl side garnish	4	4	
17	09321-10023	CUSHION, front hood	1	1	

FIG. 68

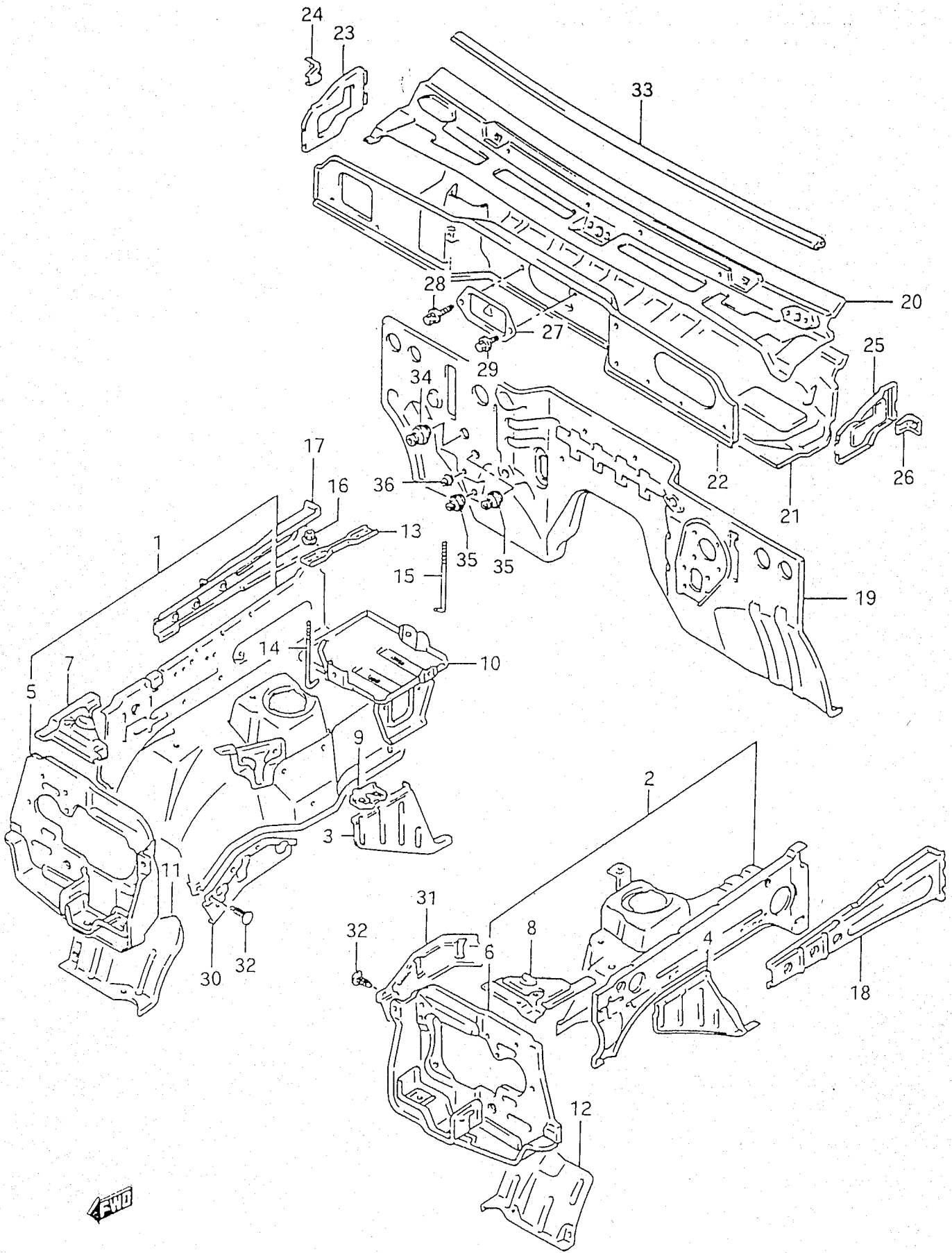


FIG. 68 (I- 6) FRONT SHEET METAL

REF.NO.	PART NO.	DESCRIPTION	Q'TY		REMARKS
			C	V	
1	58700-85C00	PANEL, front wheel housing RH	1	1	
2	58900-57B01	PANEL, front wheel housing LH	1	1	
3	58712-60A10	.EXTENSION, FR wheel housing RH	1	1	
4	58912-60A10	.EXTENSION, FR wheel housing LH	1	1	
5	58730-85C00	.PANEL, lamp support RH	1	1	
6	58930-56B01	.PANEL, lamp support LH	1	1	
7	58740-60A00	.GUSSET, front corner RH	1	1	
8	58941-60A00	.GUSSET, front corner LH	1	1	
9	58717-60A00	.BRACKET, brake pipe	1	1	
10	58760-60A01	.BRACKET, battery	1	1	
11	58755-60A00	.GUSSET, front lower member RH	1	1	
12	58955-60A00	.GUSSET, front lower member LH	1	1	
13	72511-85C00	BAND, battery	1	1	
14	72512-85C00	BOLT, battery	1	1	
15	72512-85C10	BOLT, battery	1	1	
16	08361-15063	NUT, battery	2	2	
17	58771-60A00	MEMBER, front body side RH	1	1	
18	58970-60A11	MEMBER, front body side LH	1	1	

FIG. 68

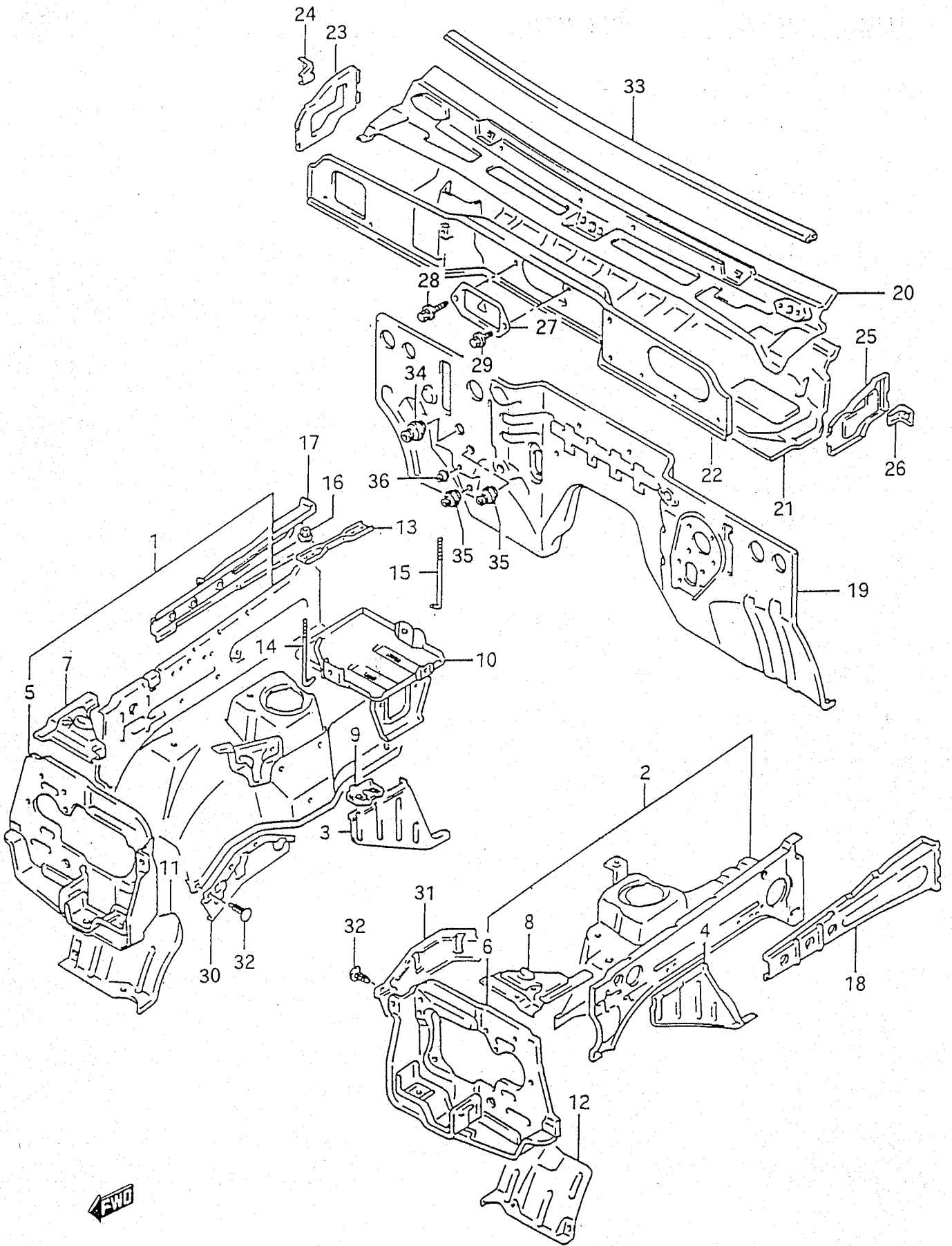


FIG.68 (I- 7) FRONT SHEET METAL

REF.NO.	PART NO.	DESCRIPTION	Q'TY		REMARKS
			C	V	
19	61100-85C00	PANEL, dash	1	1	
20	59110-60A00	PANEL, cowl top	1	1	
21	59310-85C00	PANEL, cowl upper	1	1	
22	59211-60A00	PANEL, front	1	1	
23	59411-60A01	PANEL, side RH	1	1	
24	59412-60A00	BRACKET, side front RH	1	1	
25	59421-60A01	PANEL, side LH	1	1	
26	59422-60A00	BRACKET, side front LH	1	1	
27	72421-60A00	LID, wiper link service hole	1	1	
28	09115-06001	BOLT, wiper service hole RH	1	1	
29	01550-06103	BOLT, wiper service hole	1	1	
30	72485-60A00	FLAP, front wheel housing RH	1	1	
31	72486-60A00	FLAP, front wheel housing LH	1	1	
32	09409-10304-5ES	CLIP, front housing flap	4	4	
33	72471-60A00	WEATHERSTRIP, cowl top front	1	1	
34	09250-35003	GROMMET (OD:35)	1	1	
35	09250-25007	GROMMET (OD:25)	2	2	
36	09250-10016	CAP (ID:10.9)	1	1	

FIG. 69

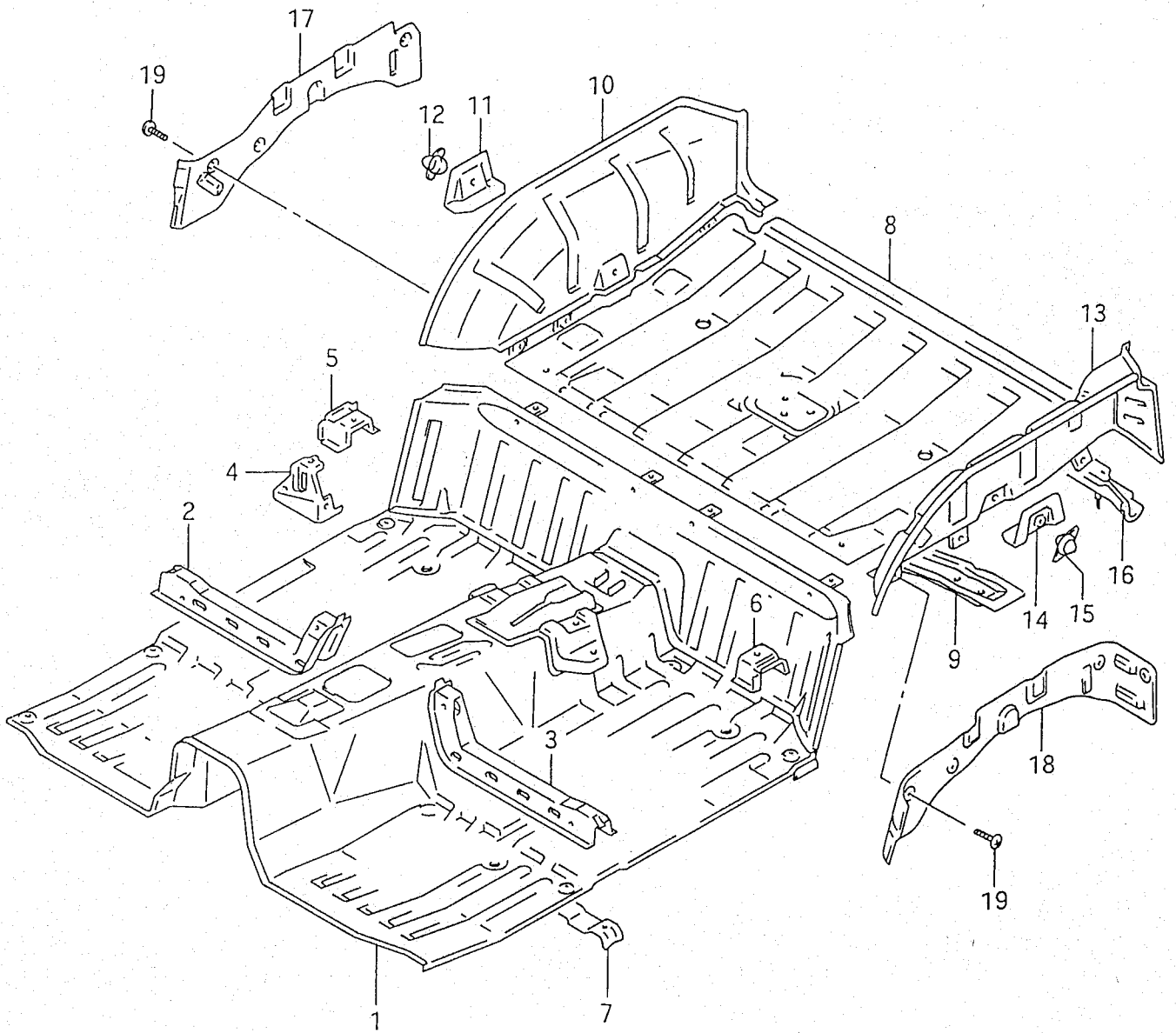


FIG.69 (I- 8) FLOOR PANEL

REF.NO.	PART NO.	DESCRIPTION	Q'TY		REMARKS
			C	V	
1	61400-60841	PANEL SET, front floor	1	1	
2	61450-60A10	.MEMBER, front seat RH	1	1	
3	61550-60A10	.MEMBER, front seat LH	1	1	
4	61440-60A00	.BRACKET, jack	1	1	
5	61461-60A00	.BRACKET, seat rear outer RH	1	1	
6	61561-60A00	.BRACKET, seat rear outer LH	1	1	
7	61641-60A00	.REINF, seat belt center	1	1	
8	62111-60A20	PANEL, rear floor	1	1	
9	62120-60A00	MEMBER, rear floor	1	1	
10-1	62210-60A30	PANEL, wheel house inner RH	1	-	
10-2	62210-60A20	PANEL, wheel house inner RH	-	1	
11	62131-60A00	.REINF, seat belt side RH	1	1	
12	62132-60A00	.COVER, seat belt side	1	1	
13-1	62310-60A30	PANEL, wheel house inner LH	1	-	
13-2	62310-85C20	PANEL, wheel house inner LH	-	1	
14	62331-85C00	.REINF, seat belt side LH	1	1	
15	62132-60A00	.COVER, seat belt side	1	1	
16	62510-60A20	MEMBER, rear floor tail	1	1	
17	65995-60A00	COVER, rear wheel hose RH	1	1	
18	65996-60A00	COVER, rear wheel hose LH	1	1	
19	02142-06103	SCREW	7	7	

FIG. 70

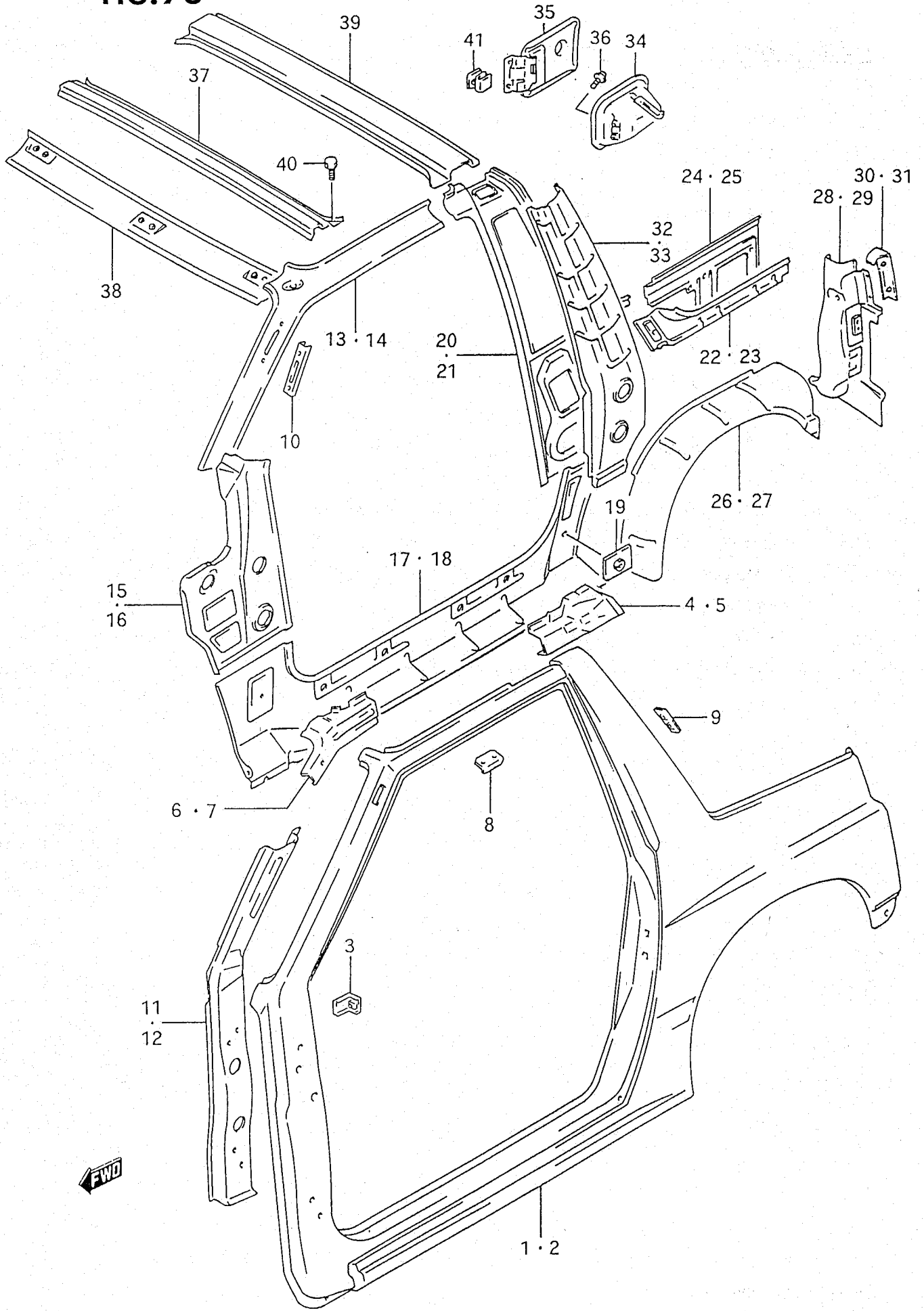


FIG.70 (I- 9) SIDE BODY (C)

REF.NO.	PART NO.	DESCRIPTION	Q'TY		REMARKS
			C		
1	64111-60A50	PANEL, side body outer RH	1		
2	64511-60A50	PANEL, side body outer LH	1		
3	64214-60A00	BRACKET, cowl side gernish	2		
4	64215-60A02	EXT, side body RH	1		
5	64515-60A02	EXT, side body LH	1		
6	64216-60A00	REINF, FR pillar upper RH	1		
7	64516-60A00	REINF, FR pillar upper LH	1		
8	64217-60A00	REINF, soft top hinge	2		
9	64218-60A00	REINF, soft top side	2		
10	64151-60A00	REINF, radio antenna	1		
11	64120-60A10	REINF, front pillar RH	1		
12	64520-60A10	REINF, front pillar LH	1		
13	63111-60A20	PANEL, roof side inner RH	1		
14	63511-60A30	PANEL, roof side inner LH	1		
15	61480-62A10	PANEL, front pillar inner RH	1		
16	61580-62A00	PANEL, front pillar inner LH	1		
17	61490-60A00	PANEL, sill side inner RH	1		
18	61590-60A00	PANEL, sill side inner LH	1		
19	61492-80000	REINF, seat belt lower	2		

FIG. 70

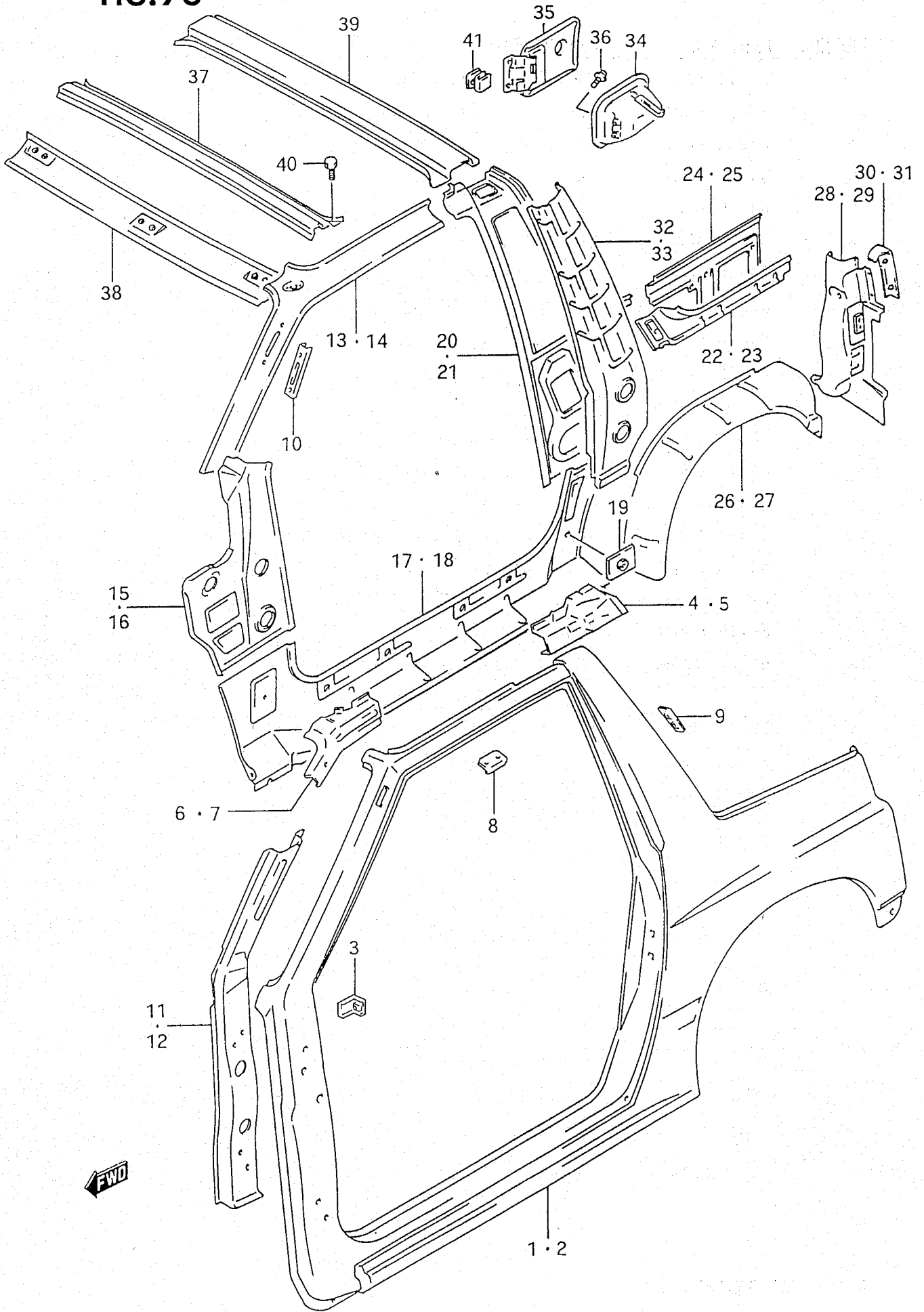


FIG.70 (I-10) SIDE BODY (C)

REF.NO.	PART NO.	DESCRIPTION	Q'TY		REMARKS
			C		
20	63210-62A00	PANEL, center pillar inner RH	1		
21	63610-62A00	PANEL, center pillar inner LH	1		
22	63221-60A10	REINF, rear QTR inner RH	1		
23	63621-60A10	REINF, rear QTR inner LH	1		
24	63310-60A10	PANEL, rear QTR inner RH	1		
25	63710-60A10	PANEL, rear QTR inner LH	1		
26	63410-60A00	PANEL, wheel house outer RH	1		
27	63811-60A00	PANEL, wheel house outer LH	1		
28	64310-60A00	PANEL, rear pillar outer RH	1		
29	64710-60A10	PANEL, rear pillar outer LH	1		
30	65965-60A00	GARNISH, rear pillar RH	1		
31	65966-60A00	GARNISH, rear pillar LH	1		
32	64250-60A00	REINF, center pillar RH	1		
33	64550-60A00	REINF, center pillar LH	1		
34	64230-60A00	BOX, fuel inlet	1		
35	65950-60A40	LID, fuel inlet	1		
36	02142-05123	SCREW	2		
37	65110-60A00	PANEL, front pillar joint	1		
38	65115-60A10	PANEL, FR pillar joint inner	1		
39	65120-60A10	PANEL, center pillar joint	1		
40	09136-06078	BOLT	2		
41	77132-60A00	STOPPER, fuel lid	1		

FIG. 71

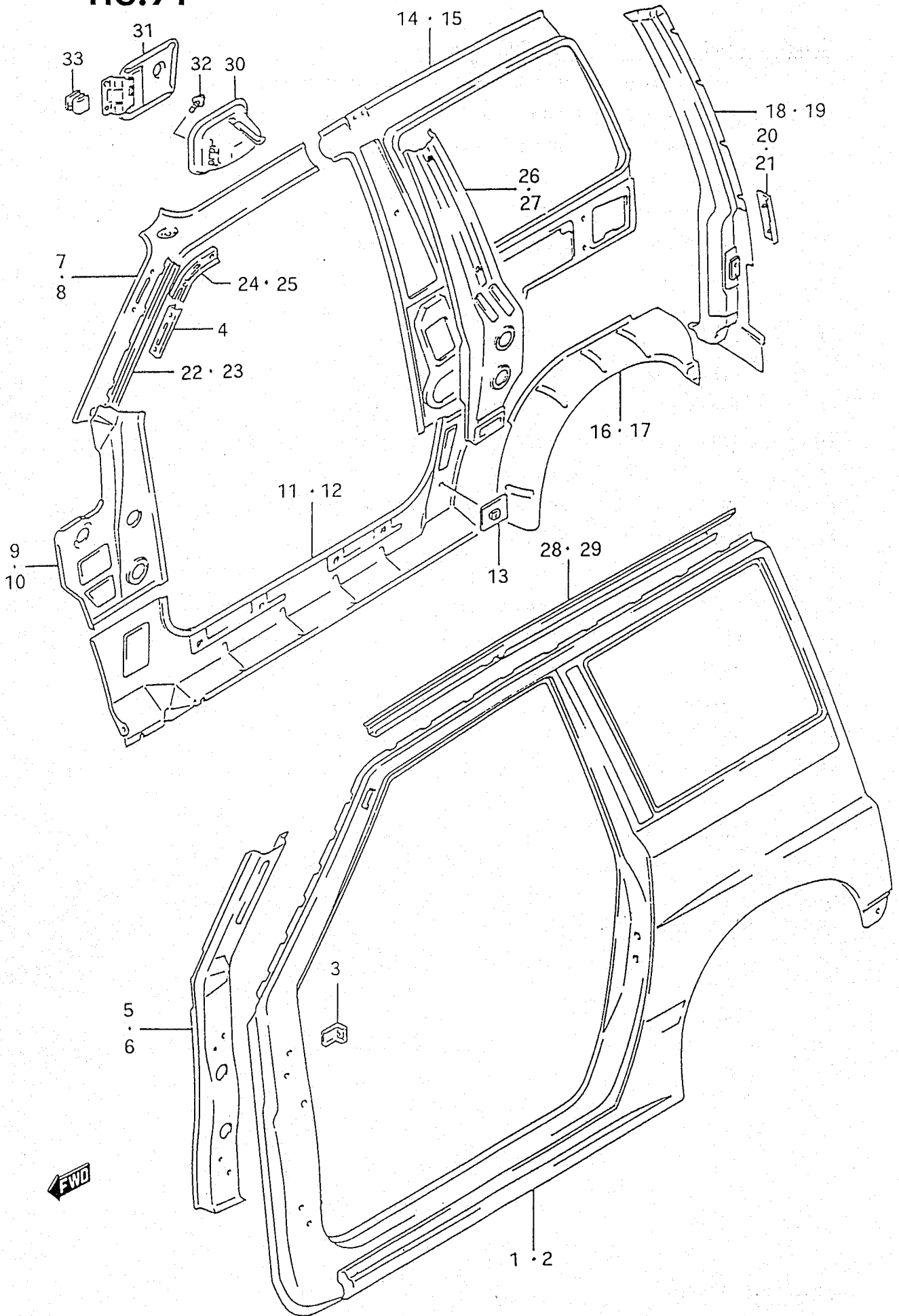
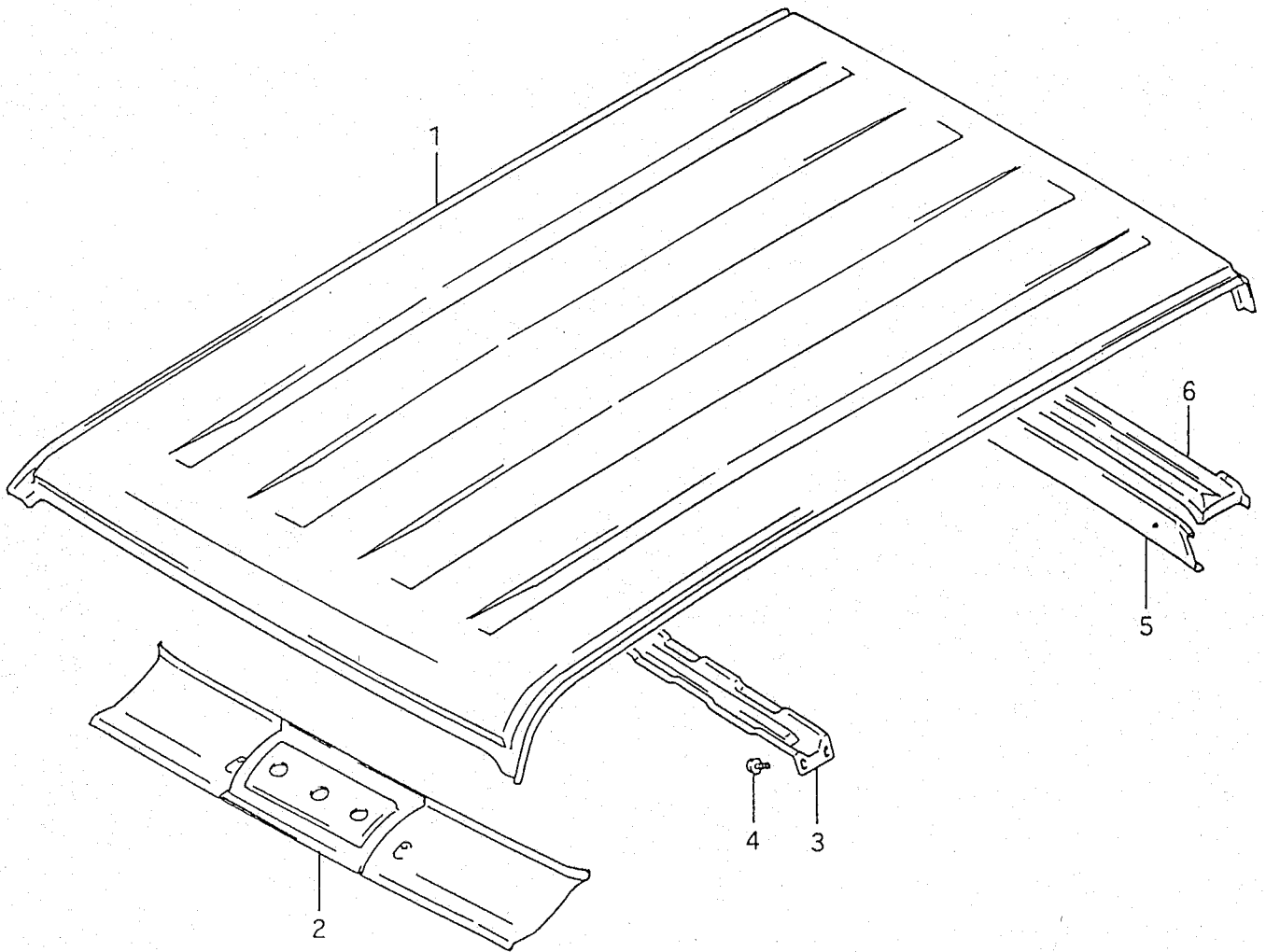


FIG.71 (I-11) SIDE BODY (V)

REF.NO.	PART NO.	DESCRIPTION	Q'TY		REMARKS
			V		
1	64111-61A10	PANEL, side body outer RH	1		
2	64511-61A30	PANEL, side body outer LH	1		
3	64214-60A00	BRACKET, cowl side garnish	2		
4	64151-60A00	REINF, radio antenna	1		
5	64120-60A10	REINF, front pillar RH	1		
6	64520-60A10	REINF, front pillar LH	1		
7	63111-61A20	PANEL, roof side inner RH	1		
8	63511-61A20	PANEL, roof side inner LH	1		
9	61480-62A10	PANEL, front pillar inner RH	1		
10	61580-62A00	PANEL, front pillar inner LH	1		
11	61490-60A00	PANEL, sill side inner RH	1		
12	61590-60A00	PANEL, sill side inner LH	1		
13	61492-80000	.REINF, seat belt lower	2		
14	63210-85C20	PANEL, side body inner RH	1		
15	63610-63A20	PANEL, side body inner LH	1		
16	63410-60A00	PANEL, wheel house outer RH	1		
17	63811-60A00	PANEL, wheel house outer LH	1		
18	64310-61A00	PANEL, back pillar outer RH	1		
19	64710-61A20	PANEL, back pillar outer LH	1		
20	65965-61A00	GARNISH, back pillar RH	1		
21	65966-61A00	GARNISH, back pillar LH	1		
22	64130-61A00	PANEL, front window side RH	1		
23	64530-61A00	PANEL, front window side LH	1		
24	64141-61A00	REINF, front pillar upper RH	1		
25	64541-61A00	REINF, front pillar upper LH	1		
26	64250-61A00	REINF, center pillar RH	1		
27	64650-61A00	REINF, center pillar LH	1		
28	64241-61A00	RAIL, roof side outer RH	1		
29	64641-61A00	RAIL, roof side outer LH	1		
30	64231-60A10	BOX, fuel inlet	1		
31	65950-60A50	LID, fuel inlet	1		
32	02142-05123	SCREW	2		
33	77132-60A00	STOPPER, fuel lid	1		

FIG. 72



← FWD

FIG.72 (I-12) ROOF PANEL (V)

REF.NO.	PART NO.	DESCRIPTION	Q'TY		REMARKS
				V	
1	65111-61A10	PANEL, roof		1	
2	65130-61A20	PANEL, roof front inner		1	
3	65981-61A10	REINF, roof panel		1	
4	02142-06103	SCREW, roof panel		4	
5	65141-61A00	PANEL, roof back inner		1	
6	65120-61A00	EXTENSION, roof rear		1	

FIG. 73

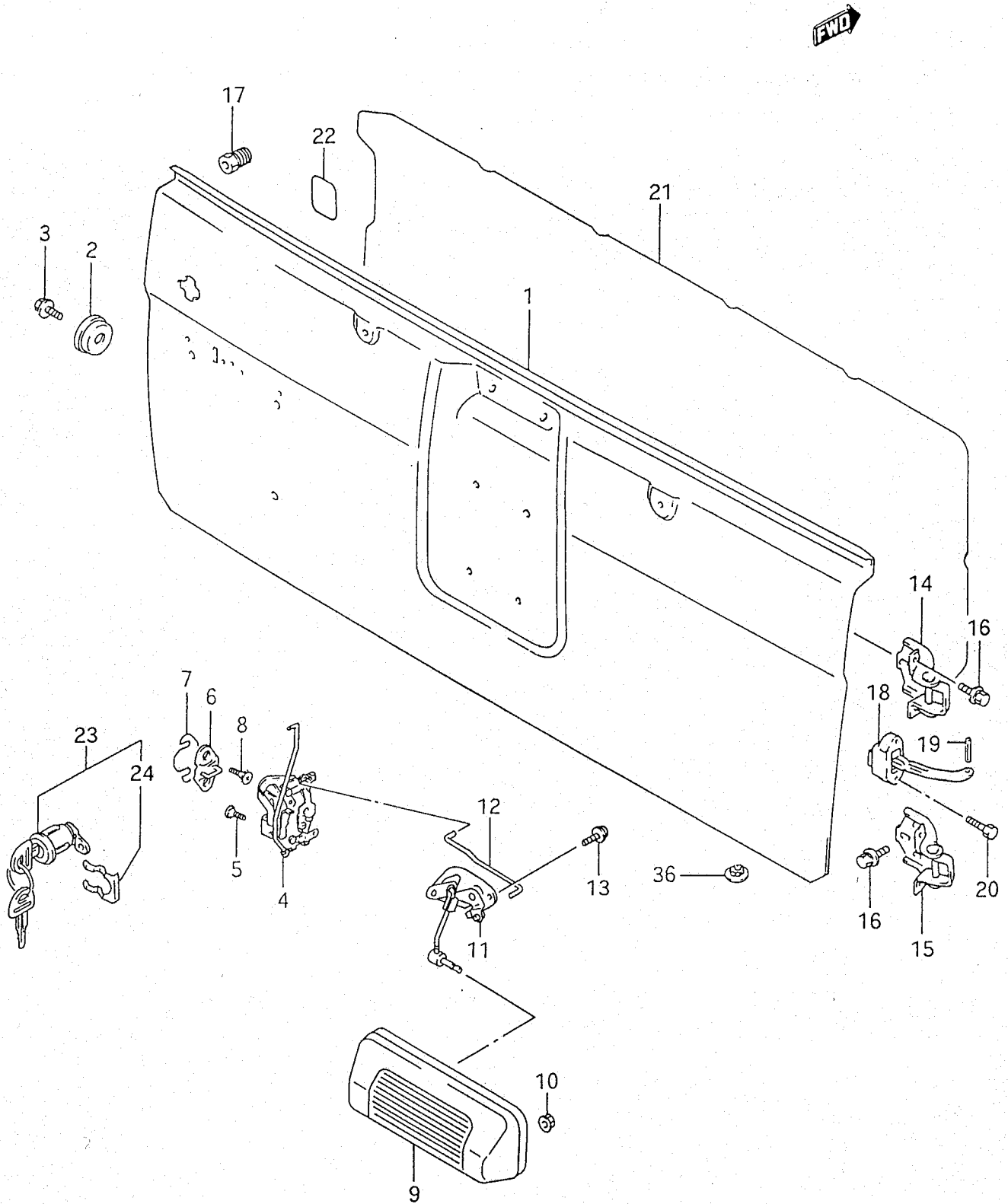


FIG. 73 (I-13) REAR GATE (C)

REF.NO.	PART NO.	DESCRIPTION	Q'TY	REMARKS
			C	
1	67700-60A20	PANEL ASSY, rear gate	1	
2	82761-85C00	MALE, back door stop	1	
3	09118-08128	BOLT, male	1	
4	82530-60A10	LATCH ASSY, rear gate	1	
5	02122-56163	SCREW	3	
6	82660-61A00	STRIKER, back door latch	1	
7	78199-78000	SPACER, latch striker	0~1	
8	09137-08006	SCREW	2	
9-1	82850-85C00-OFT	HANDLE, back door (Red)	1	
9-2	82850-85C00-OVP	HANDLE, back door (Green)	1	
9-3	82850-85C00-1FG	HANDLE, back door (Blue)	1	
9-4	82850-85C00-1PU	HANDLE, back door (Magenta)	1	
9-5	82850-85C00-1PV	HANDLE, back door (Green)	1	
9-6	82850-85C00-15P	HANDLE, back door (Red)	1	
9-7	82850-85C00-26U	HANDLE, back door (White)	1	
9-8	82850-85C00-38B	HANDLE, back door (Gray)	1	
10	08316-20063	NUT, back door handle	3	
11	83190-60A10	LINK, rear gate inside	1	
12	83195-85C00	ROD, rear gate latch	1	
13	02112-76123	SCREW	2	
14	67730-85C00	HINGE, rear gate upper	1	
15	69520-85C00	HINGE, rear gate lower	1	
16	09118-08156	BOLT	12	
17	72372-85C00	CUSHION, rear gate	1	
18	72850-60A11	STOP, rear gate	1	
19	81831-70B00	PIN, gate open stop body	1	
20	01580-06163	BOLT, open stop	2	
21	83911-60X50	COVER, rear gate sealing	1	
22	72893-60A10	SEAL, rear gate	1	
23	82500-60821	CYLINDER SET, RR gate latch	.1	
24	82577-61A00	.RETAINER, rear gate latch	1	

FIG. 74

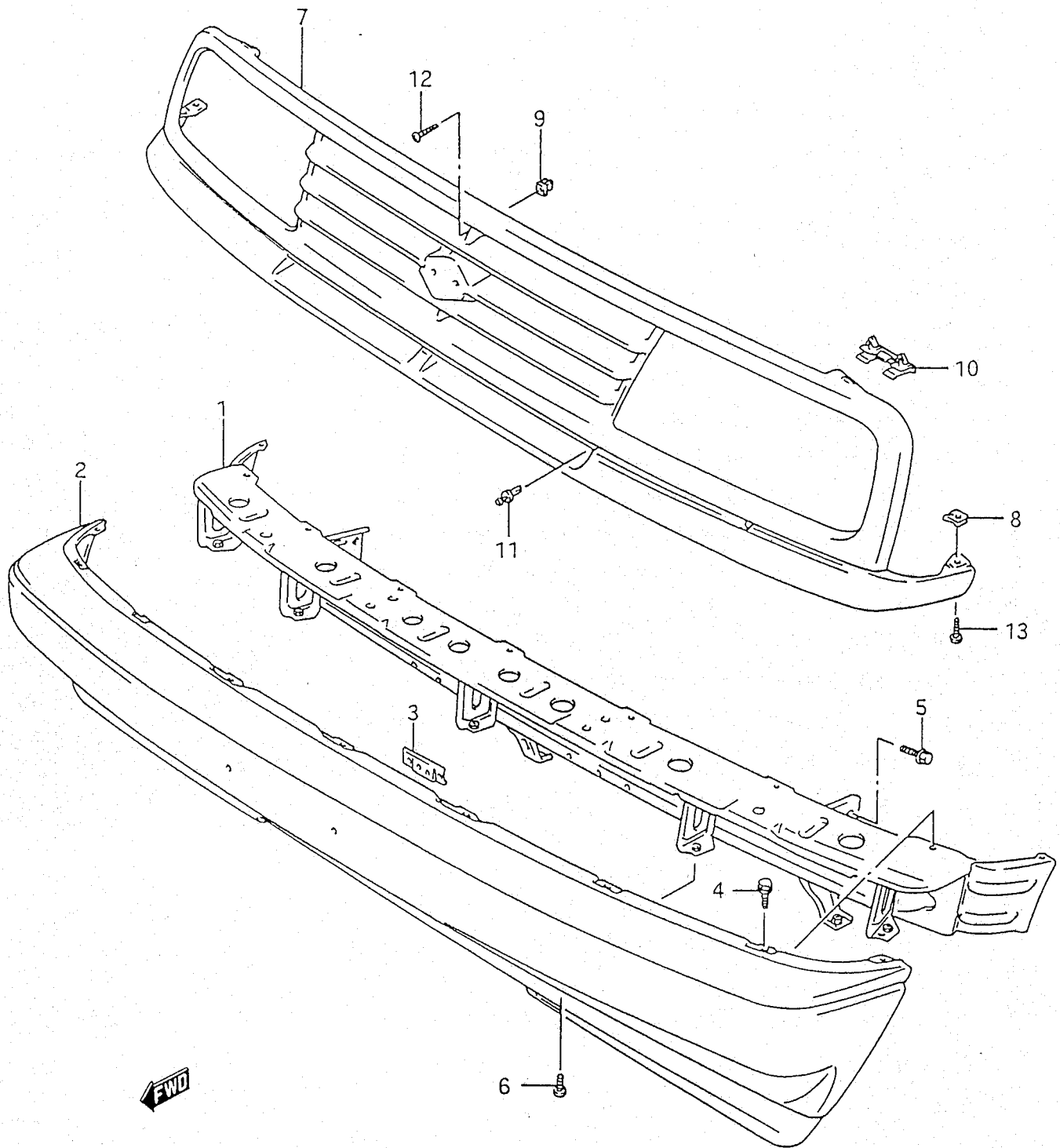


FIG.74 (I-14) FRONT BUMPER AND GRILLE

REF.NO.	PART NO.	DESCRIPTION	Q'TY		REMARKS
			C	V	
1	71701-60A00	MEMBER ASSY, front bumper	1	1	
2	71711-61A60-799	BUMPER, front (Primary)	1	1	W/under coat (see note)
3	71771-60A00	RETAINER, front license plate	2	2	
4	09111-06058	BOLT, front bumper	9	9	
5	01550-08123	BOLT, member	4	4	
6	02142-06123	SCREW, front bumper	6	6	
7	72111-60A30	GRILLE, front	1	1	N/under coat (see note)
8	59915-85C00	NUT, front grille	2	2	
9	09148-05018	NUT, front grille center	1	1	
10	72115-60A00	CLIP, front grille	2	2	
11	09409-07313	CLIP, front grille	2	2	
12	03212-05253	SCREW, front grille	2	2	
13	59941-85C00	SCREW, front grille side	2	2	

Note : Paint to match.

FIG. 75

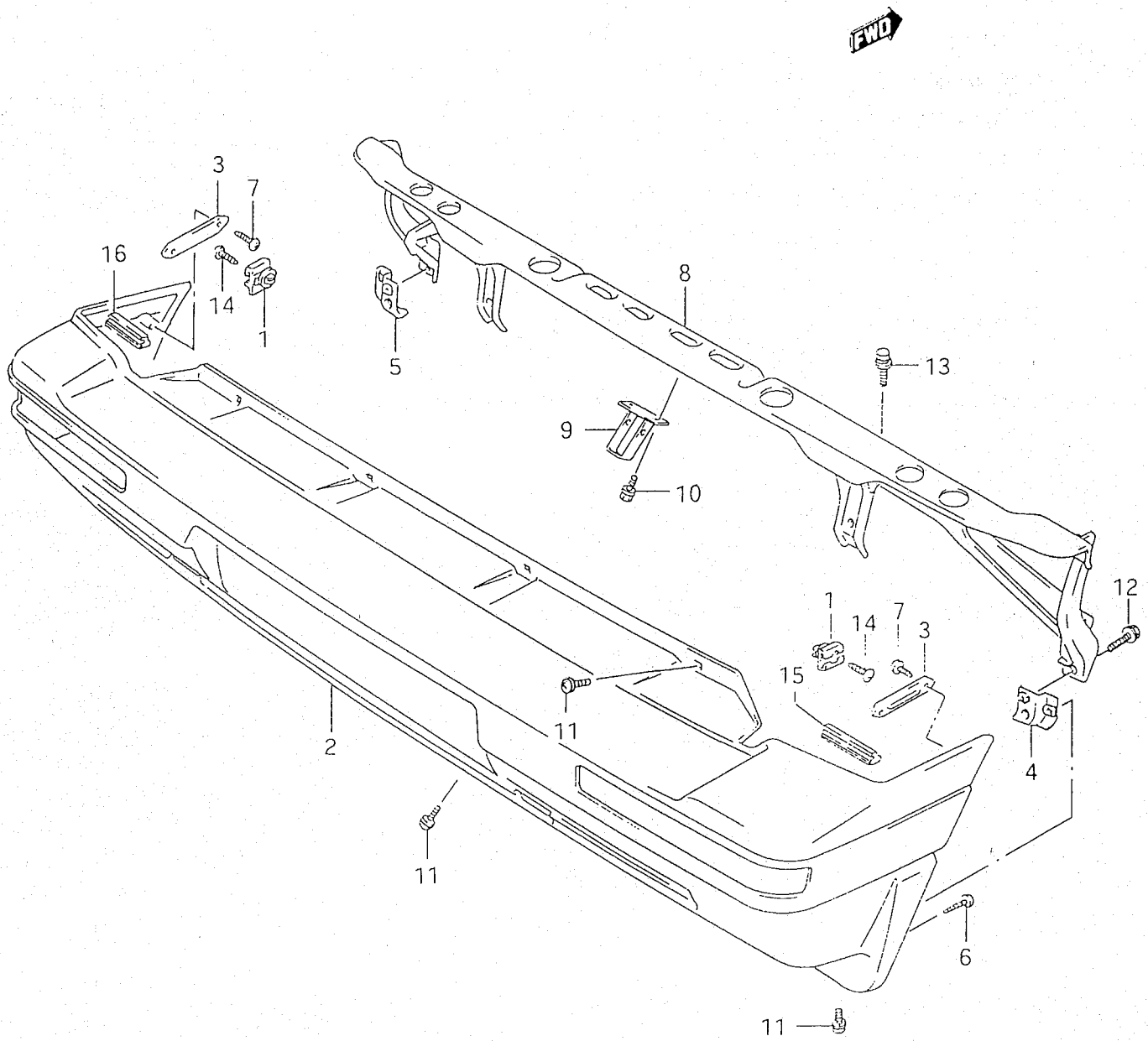


FIG.75 (I-15) REAR BUMPER

REF.NO.	PART NO.	DESCRIPTION	Q'TY		REMARKS
			C	V	
1	71752-86000	SUPPORT, bumper side	2	2	
2	71811- 61A00 -799 85C10	BAR, rear bumper (Primary)	1	1	W/under coat(see note)
3	71751-86000	ATTACHMENT, bumper side	2	2	
4	71812-60A10	BRACKET, outside RH	1	1	
5	71813-60A10	BRACKET, outside LH	1	1	
6	09139-06052	SCREW, outside bracket	4	4	
7	03241-04123	SCREW, attachment	4	4	
8	71820-60A10	MEMBER, bumper	1	1	
9	71850-60A10	STAY, lower CTR	1	1	
10	01580-08203	BOLT, lower CTR stay	2	2	
11	09139-06052	SCREW, rear bumper (6x10)	7	7	
12	01580-06163	BOLT, outside	2	2	
13	01580-08203	BOLT, member	5	5	
14	03511-05123	SCREW, bumper support	2	2	
15	71815-60A01	SPACER, rear bumper side RH	1	1	
16	71816-60A01	SPACER, rear bumper side LH	1	1	

Note : Paint to match.

FIG. 76

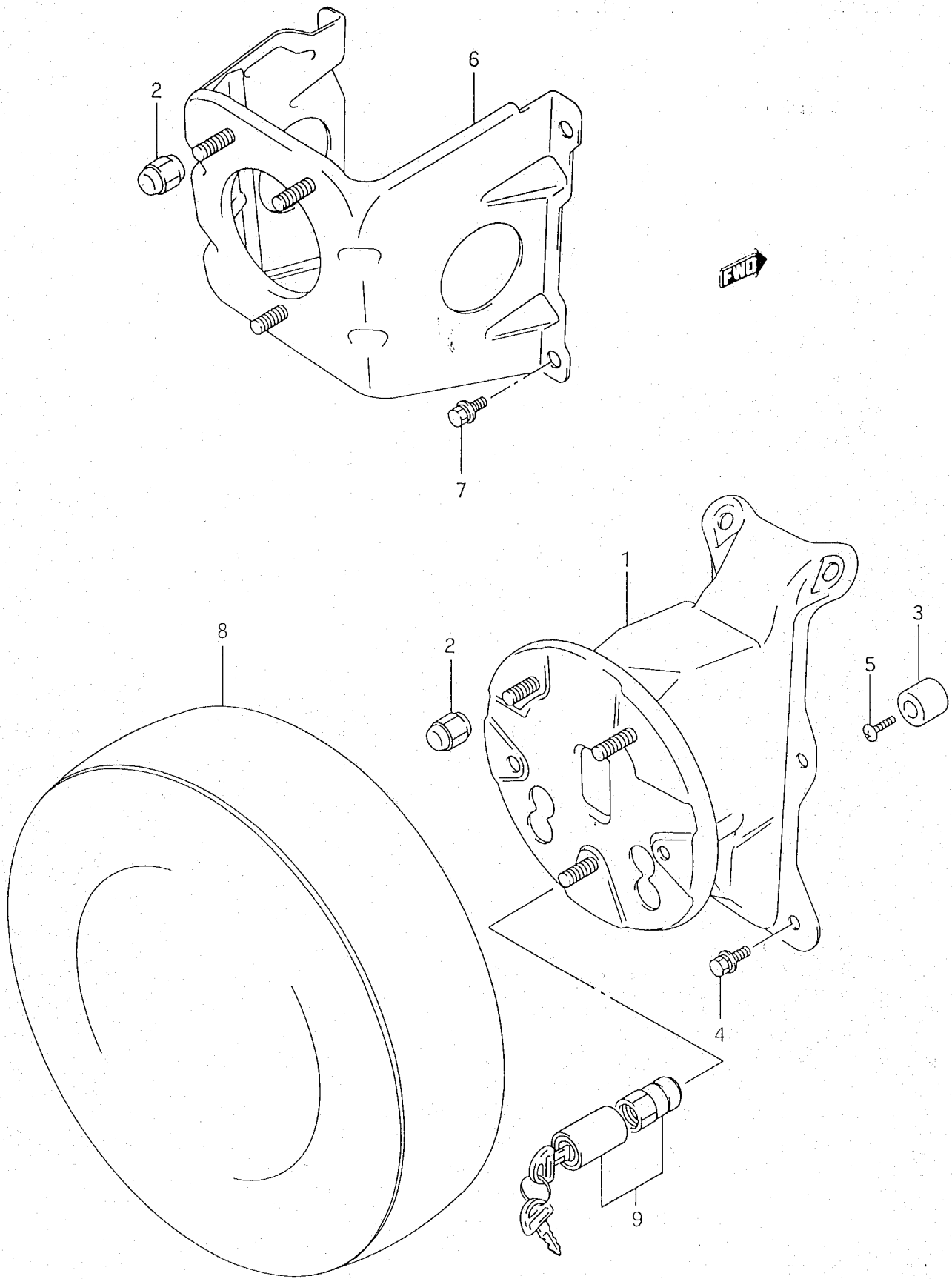


FIG.76 (J- 2) TIRE CARRIER

REF.NO.	PART NO.	DESCRIPTION	Q'TY		REMARKS
			C	V	
1	72810-85C00	CARRIER, spare tire	1	-	
2	09159-12024	NUT, spare tire	2	2	
3	59951-85C00	CUSHION, spare tire	2	-	
4	01580-08203	BOLT, carrier	6	-	
5	02112-06163	SCREW, cushion	2	-	
6	83960-85C00	CARRIER, spare tire	-	1	
7	01580-10253	BOLT, spare tire	-	4	
8	72820-85C00-2UM	COVER, spare tire	1	1	
9	83900-60820	KEY, spare tire nut lock	1	1	

FIG. 77

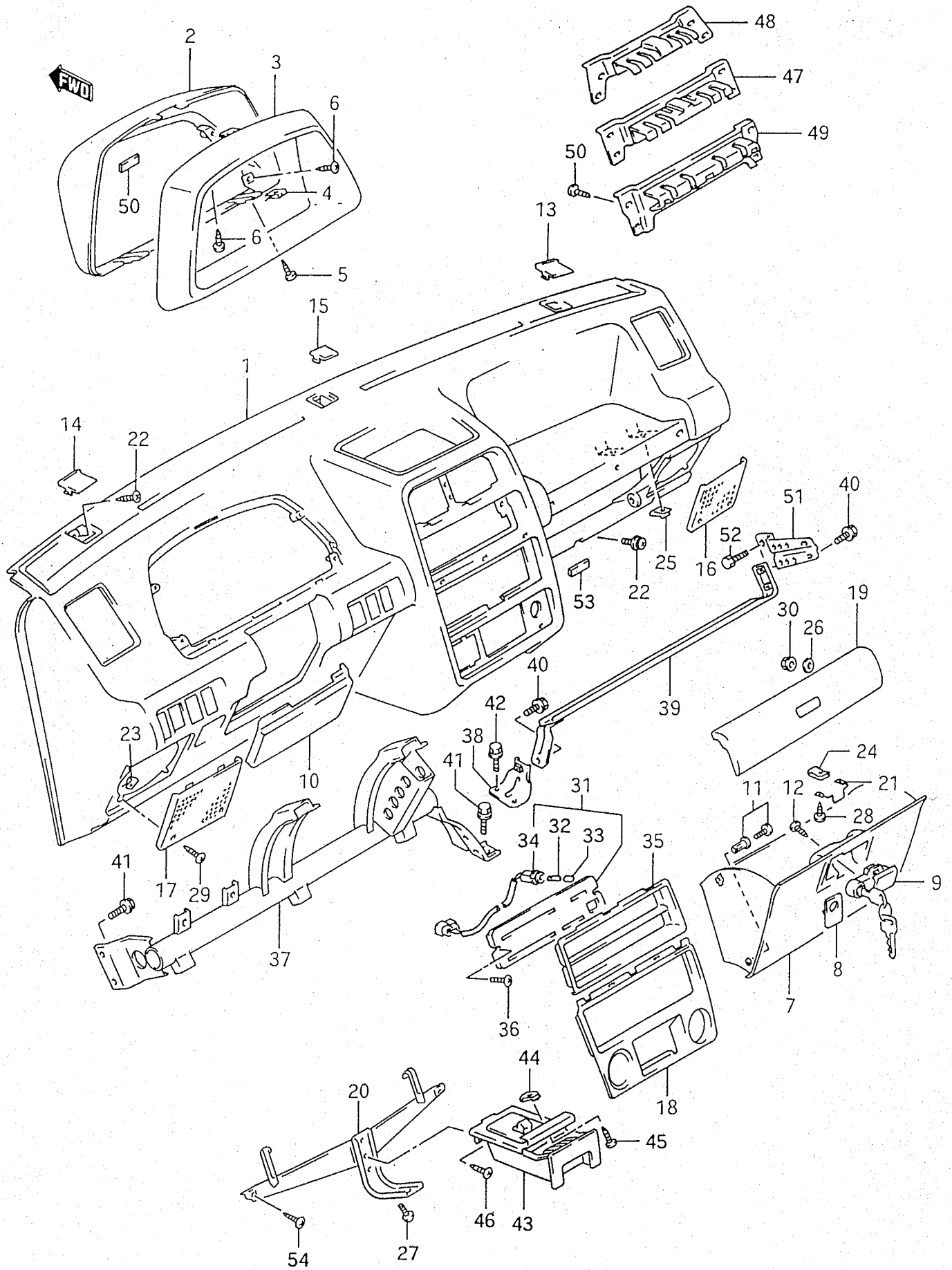


FIG.77 (J- 3) INSTRUMENT PANEL

REF.NO.	PART NO.	DESCRIPTION	Q'TY		REMARKS
			C	V	
1	73111-60A10-5ES	PANEL, instrument (Black)	1	1	
2	73311-60A00-5ES	CLUSTER, meter (Black)	1	1	
3	73312-60A00-5ES	HOOD, meter cluster (Black)	1	1	
4	59916-85C00	NUT, meter hood	4	4	
5	03141-05123	SCREW, meter hood lower	2	2	
6	03141-05163	SCREW, hood upper & cluster	4	4	
7	73411-85C00-5ES	BOX, side (Black)	1	1	
8	73414-85C00-5ES	COVER, side box (Black)	1	1	
9	73420-60820-5ES	LOCK ASSY, side box (Black)	1	1	
10	73871-60A10-5ES	COVER, column hole (Black)	1	1	
11	09409-07315	CLIP, side box lower	1	1	
12	02142-04103	SCREW, side box lock	2	2	
13	73811-60A00-5ES	CAP, upper side RH (Black)	1	1	
14	73812-60A00-5ES	CAP, upper side LH (Black)	1	1	
15	73813-60A00-5ES	CAP, upper center (Black)	1	1	
16	73821-85C00-5ES	COVER, speaker RH (Black)	1	1	
17	73822-85C00-5ES	COVER, speaker LH (Black)	1	1	
18	73841-60A20-5PK	GARNISH, center lower (Black)	1	1	
19	73850-60A00-5ES	GRIP, instrument (Black)	1	1	
20	73860-60A10	STAY, radio & ashtray	1	1	
21	73951-60A00	STRIKER, side box	1	1	
22	09136-06061	SCREW, front & lower	9	9	
23	59917-85C00	NUT, speaker cover	4	4	
24	59916-85C00	NUT, side box striker	2	2	
25	59916-85C00	NUT, hood latch	2	2	
26	09160-08010	WASHER, grip	2	2	
27	02142-06123	SCREW, radio & ashtray stay	2	2	
28	03141-05123	SCREW, side box striker	2	2	
29	03241-04123	SCREW, speaker cover	4	4	
30	08316-20083	NUT, grip	2	2	

SE416 E22 SANTANA

FIG. 77

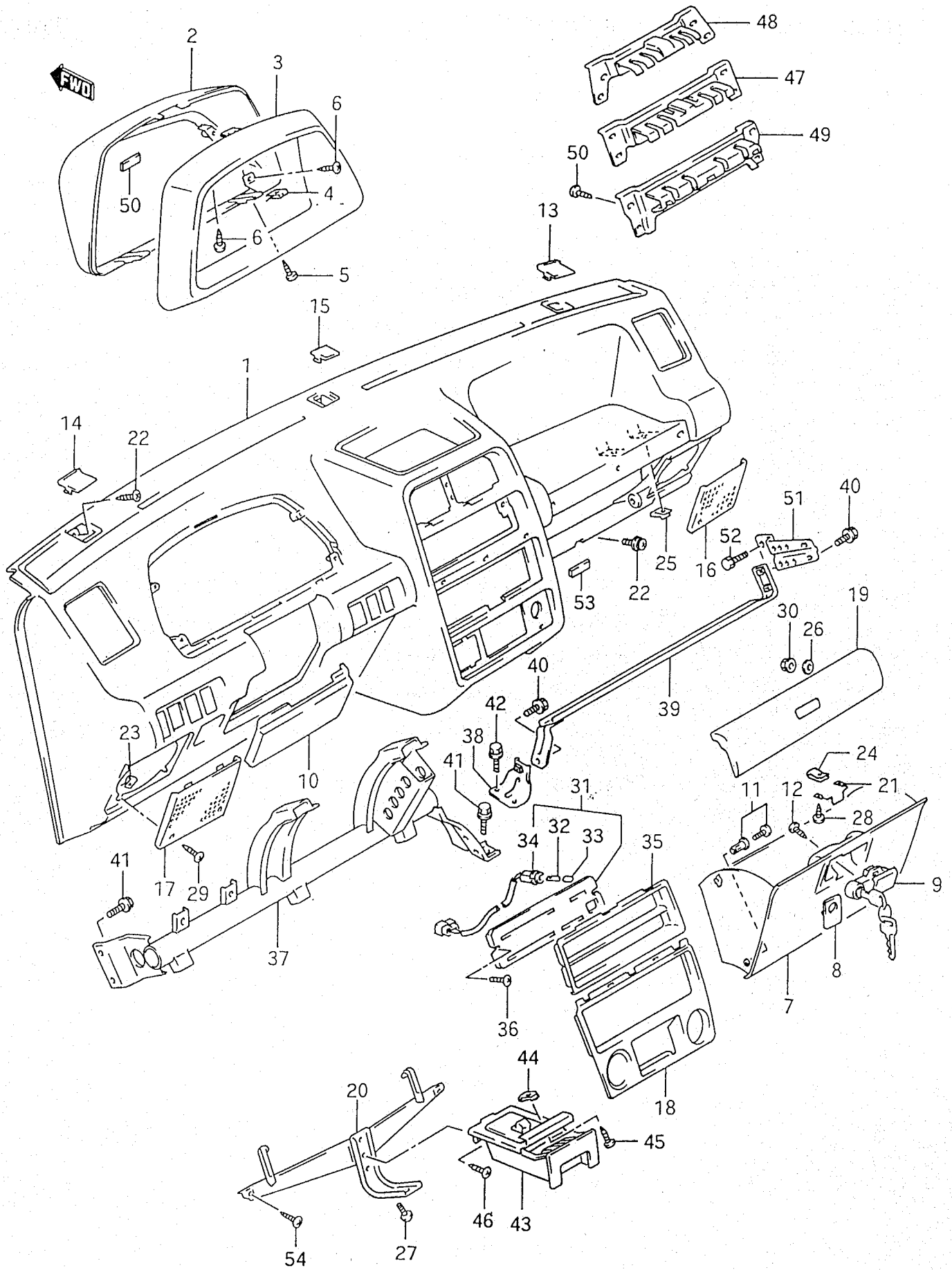


FIG. 77 (J- 4) INSTRUMENT PANEL

REF.NO.	PART NO.	DESCRIPTION	Q'TY		REMARKS
			C	V	
31	74450-85C00-5PK	PANEL, HTR control (Black)	1	1	
32	73856-85C00	.BULB	1	1	
33	73857-85C00	.FILTER, bulb	1	1	
34	74455-85C00	.CORD ASSY	1	1	
35	74461-60A10-5PK	COVER, center (Black)	1	1	
36	03511-04163	SCREW, panel	2	2	
37	65920-60A40	HOLDER, steering colum LH	1	1	
38	65945-60A10	STAY, INSTPNL holder assistant	1	1	
39	76430-60A20	HOLDER, INSTPN RH	1	1	
40	09100-08294	BOLT, INSTPN assistant holder	3	3	
41	09100-08294	BOLT, steering column holder	4	4	
42	09100-08294	BOLT, INSTPN inside stay	2	2	
43	89810-60A10-5PK	ASHTRAY, instrument (Black)	1	1	
44	59916-85C00	NUT, INSTPNL ashtray	1	1	
45	02142-06123	SCREW, ashtray front	1	1	
46	03141-05123	SCREW, ashtray rear	1	1	
47	73830-60A10	REINF, CTR No.2	1	1	
48	73880-60A10	REINF, CTR upper	1	1	
49	73890-60A10	REINF, CTR lower RH	1	1	
50	03241-05203	SCREW	12	12	
51	65935-60A10	BRACKET, assist outside	1	1	
52	09100-08294	BOLT	2	2	
53	73415-70A00	PAD, lid	4	4	
54	03541-05123	SCREW, stay radio & ashtray	2	2	

FIG. 78

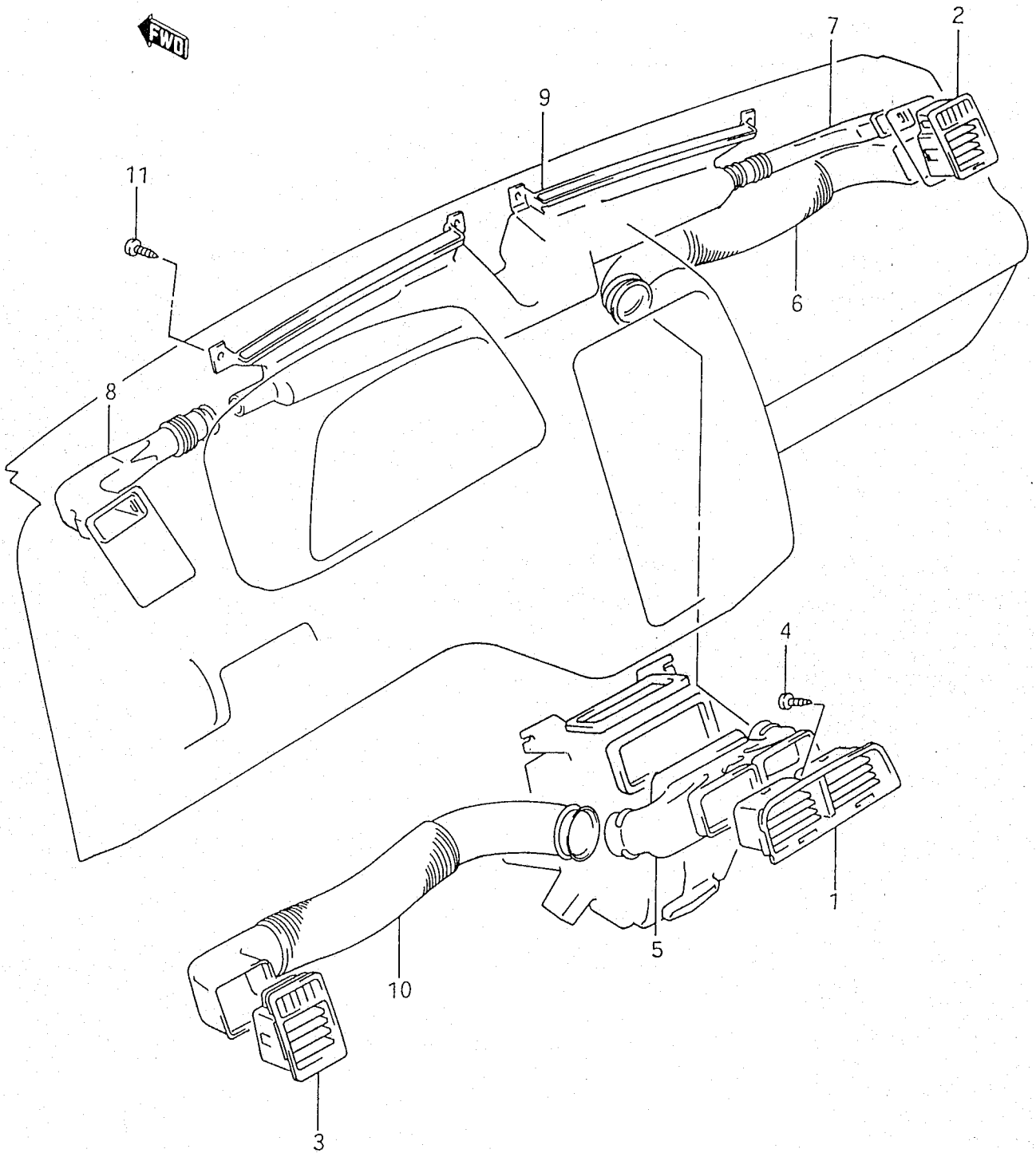


FIG.78 (J- 5) VENTILATOR

REF.NO.	PART NO.	DESCRIPTION	Q'TY		REMARKS
			C	V	
1	73610-60A10-5PK	LOUVER, CTR ventilator (Black)	1	1	
2	73630-60A10-5PK	LOUVER, side RH (Black)	1	1	
3	73640-60A10-5PK	LOUVER, side LH (Black)	1	1	
4	03541-04123	SCREW, center ventilator	2	2	
5	74611-60A00	DUCT, ventilator	1	1	
6	74612-60A01	HOSE, side ventilator RH	1	1	
7	74613-60A00	HOSE, side defroster RH	1	1	
8	74614-60A00	HOSE, side defroster LH	1	1	
9	74615-60A00	DUCT, defroster	1	1	
10	74617-60A00	HOSE, side ventilator LH	1	1	
11	03541-05163	SCREW, DFR duct	4	4	

FIG. 79

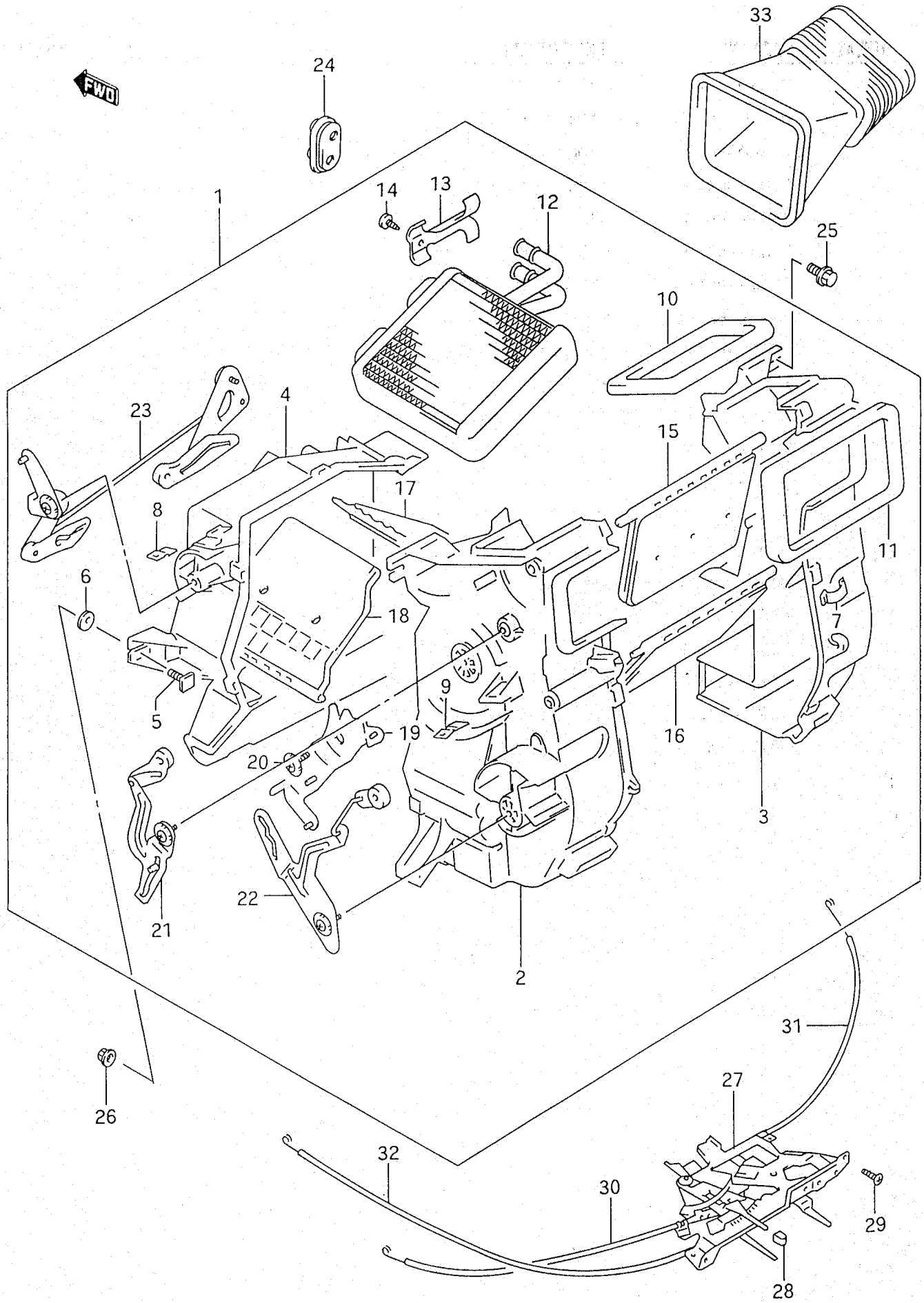


FIG. 79 (J-- 6) HEATER

REF.NO.	PART NO.	DESCRIPTION	Q'TY		REMARKS
			C	V	
1	74100-85C10	HEATER ASSY	1	1	
2	74111-85C10	.CASE, heater	1	1	
3	74112-85C10	.CASE, heater	1	1	
4	74113-85C10	.CASE, heater	1	1	
5	74115-85C00	.BOLT	2	2	
6	74116-85C00	.GASKET	2	2	
7	74133-85C00	.CLAMP, case	12	12	
8	74151-85C00	.CLAMP, cable	1	1	
9	74152-85C00	.CLAMP	1	1	
10	74161-85C00	.PACKING, DFR	1	1	
11	74162-85C00	.PACKING, VENT	1	1	
12	74120-85C10	.CORE, heater	1	1	
13	74199-85C10	.CLAMP	1	1	
14	03112-05123	.SCREW	1	1	
15	74171-85C10	.DAMPER, V/D	1	1	
16	74172-85C00	.DAMPER, heat	1	1	
17	74173-85C10	.DAMPER, A/M No.1	1	1	
18	74174-85C10	.DAMPER, A/M No.2	1	1	
19	74176-85C10	.LEVER, control	1	1	
20	74183-85C00	.SCREW, lever	1	1	
21	74170-85C10	.LEVER ASSY, VENT	1	1	
22	74180-85C10	.LEVER ASSY, HEAT	1	1	
23	74190-85C10	.LEVER ASSY, TEMP	1	1	
24	74812-82000	GROMMET, HTR	1	1	
25	01550-06123	BOLT	2	2	
26	08316-10083	NUT	2	2	
27	74400-85C10	LEVER ASSY, HTR control	1	1	
28	74417-60A00	KNOB, control lever	4	4	
29	03141-05163	SCREW, lever (L:16)	2	2	
30	74512-60A12	CABLE, HOT - COOL (L:401)	1	1	
31	74513-85C10	CABLE, FRESH - CRCLT (L:807)	1	1	
32	74514-85C10	CABLE, MODE control (L:294)	1	1	
33	74620-60A10	DUCT, heater	1	1	N/air con

FIG. 80

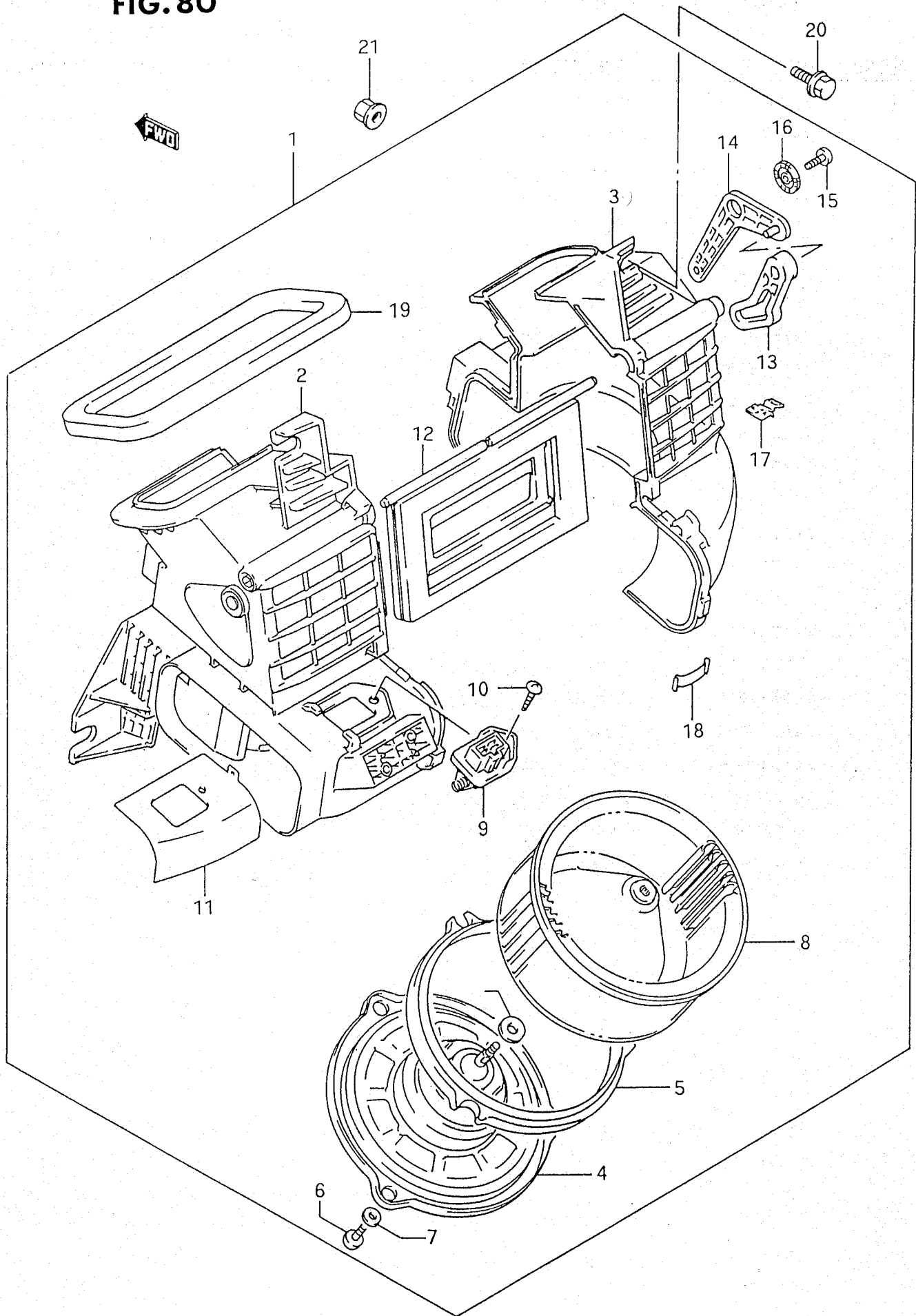


FIG.80 (J- 7) HEATER BLOWER

REF.NO.	PART NO.	DESCRIPTION	Q'TY		REMARKS
			C	V	
1	74200-85C30	MOTOR ASSY, blower	1	1	
2	74211-85C00	.CASE, brower LH	1	1	
3	74212-85C00	.CASE, brower RH	1	1	
4	74250-85C00	.MOTOR ASSY	1	1	
5	74261-85C00	.PACKING	1	1	
6	74269-85C00	.SCREW	3	3	
7	74268-85C00	.WASHER	3	3	
8	74231-85C00	.FAN, brower	1	1	
9	74290-85C00	.RESISTOR	1	1	
10	74299-85C00	.SCREW	1	1	
11	74215-85C00	.PLATE, cover	1	1	
12	74271-85C00	.DAMPER	1	1	
13	74281-85C00	.PLATE	1	1	
14	74282-85C00	.LEVER, control	1	1	
15	74183-85C00	.SCREW	1	1	
16	74184-85C00	.WASHER	1	1	
17	74151-85C00	.CLAMP, lock	1	1	
18	74133-85C00	.SPRING, holder	5	5	
19	74262-85C00	.PACKING	1	1	
20	01550-06123	BOLT	2	2	
21	08316-10083	NUT	1	1	

FIG. 81

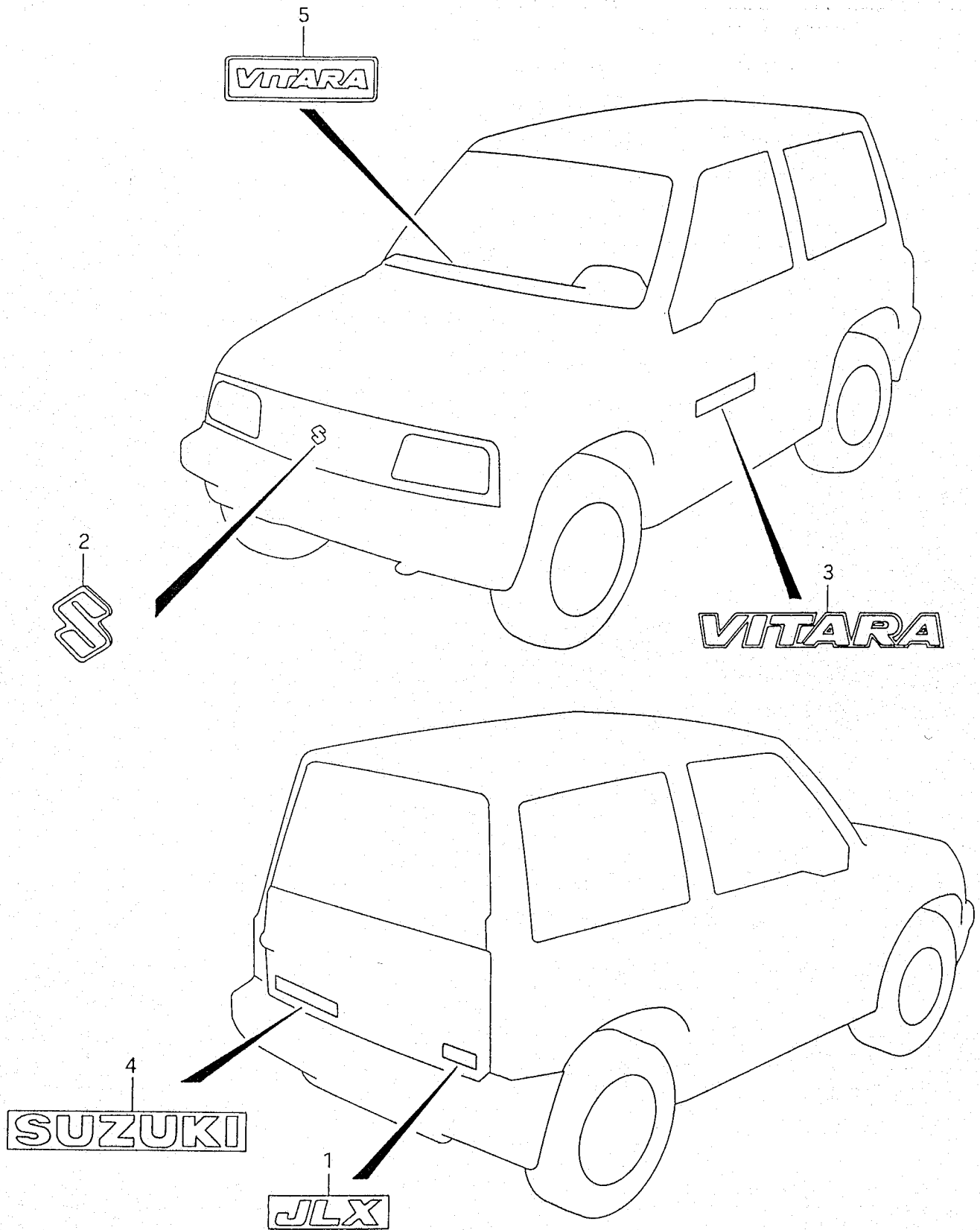


FIG.81 (J- 8) EMBLEM

REF.NO.	PART NO.	DESCRIPTION	Q'TY		REMARKS
			C	V	
1	77713-85C00-31R	EMBLEM, JLX (Silver)	1	1	
2	77811-60A00-0PG	EMBLEM, S MARK (Chrome)	1	1	
3	77823-60A00-G78	EMBLEM, front door (Silver)	2	2	
4	77831-85C00-31R	EMBLEM, RR gate lower (Silver)	1	-	
5	77852-60A10-D51	EMBLEM, instrument (Chrome)	1	1	

FIG. 82

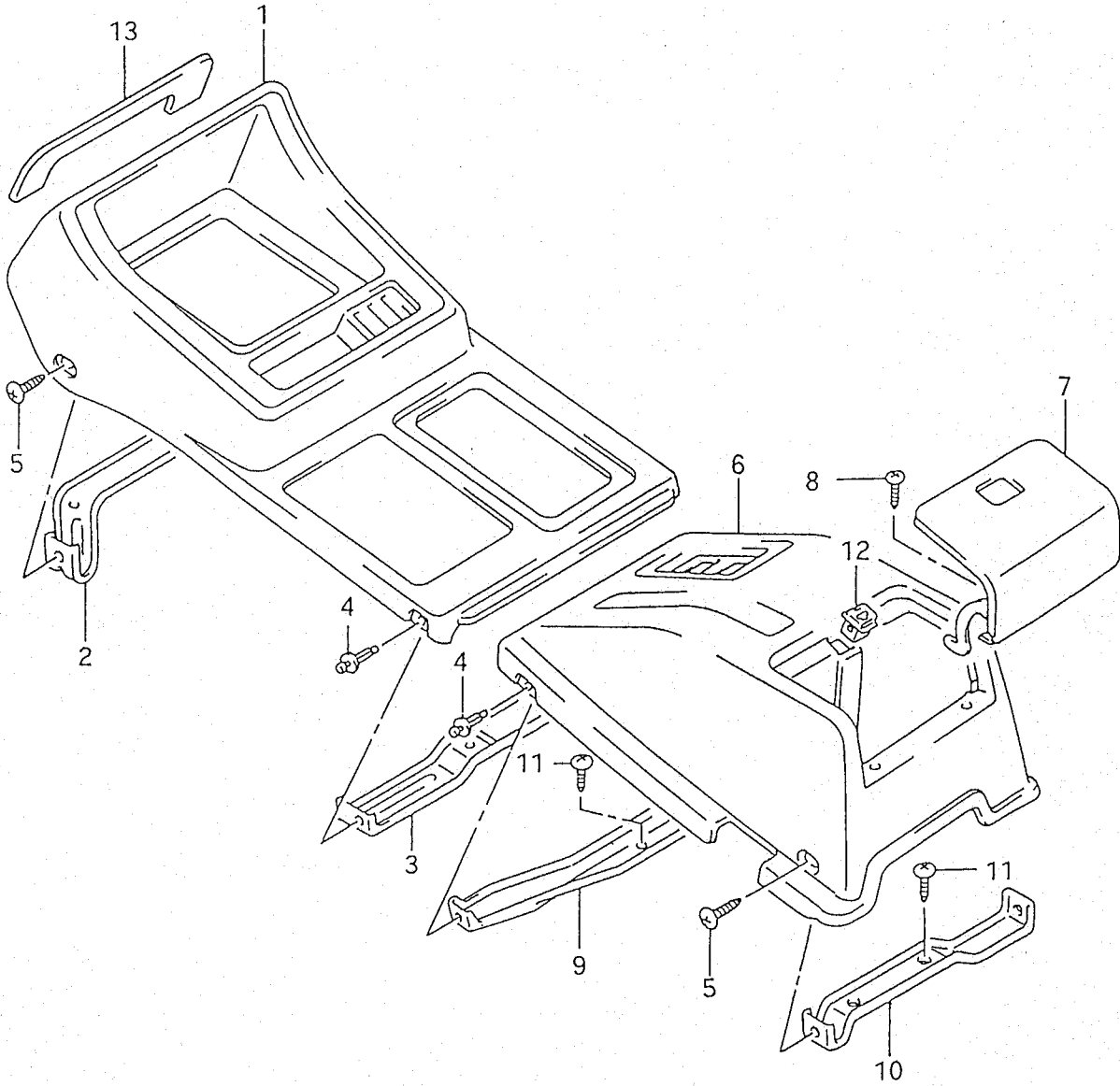
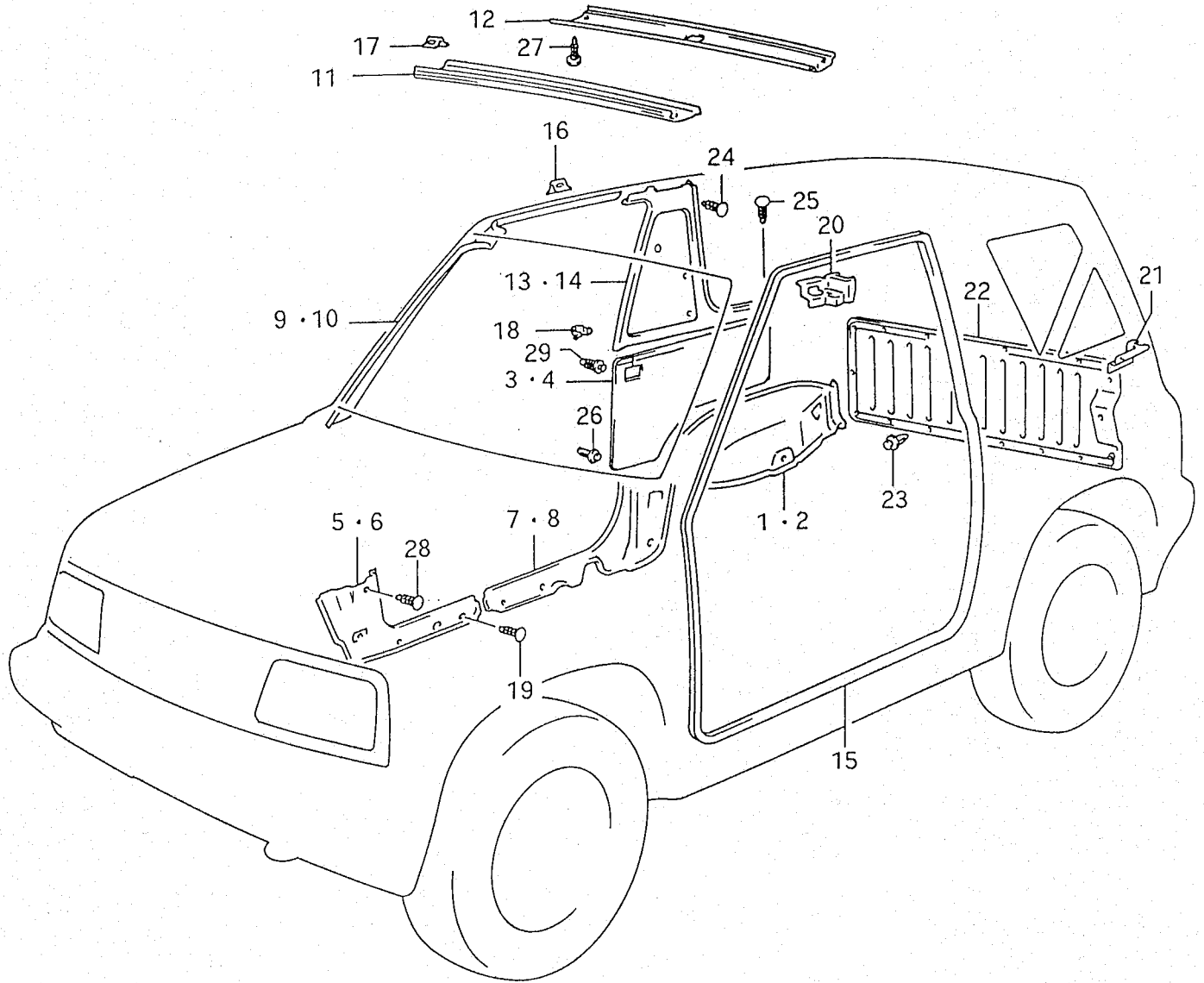


FIG.82 (J- 9) CONSOLE BOX

REF.NO.	PART NO.	DESCRIPTION	Q'TY		REMARKS
			C	V	
1	73911-85C00-5ES	BOX, CTR console FR (Black)	1	1	
2	73931-60A00	BRACKET, CTR console FR No.1	1	1	
3	73932-60A10	BRACKET, CTR console FR No.2	1	1	
4	09409-06314-5PK	CLIP, CTR console (Black)	4	4	
5	03241-05123	SCREW, CTR console	4	4	
6	73921-60A10-5ES	BOX, CTR console rear (Black)	1	1	
7	73922-60A10-5ES	LID, CTR console rear (Black)	1	1	
8	03541-05163	SCREW, CTR console RR lid	2	2	
9	73933-60A00	BRACKET, CTR console rear No.1	1	1	
10	73934-60A00	BRACKET, CTR console rear No.2	1	1	
11	03241-06123	SCREW, CTR console RR BRKT	2	2	
12	73170-50A00	LOCK, CTR console RR lid	1	1	
13	73915-60A00	CUSHION, CTR console	1	1	

FIG. 83



← FWD

FIG. 83 (J-10) INTERIOR TRIM (C)

REF.NO.	PART NO.	DESCRIPTION	Q'TY		REMARKS
				C	
1	75140-60A10-5FE	TRIM, RR wheel HSG RH (Black)	1		
2	75150-60A10-5FE	TRIM, RR wheel HSG LH (Black)	1		
3	76110-85C30-5ES	TRIM, RR side INR RH (Black)	1		
4	76120-85C30-5ES	TRIM, RR side INR LH (Black)	1		
5	76131-60A30-5ES	TRIM, sill side INR FR RH	1		
6	76141-60A30-5ES	TRIM, sill side INR FR LH	1		
7	76151-60A30-5ES	TRIM, sill side INR RR RH	1		
8	76161-60A30-5ES	TRIM, sill side INR RR LH	1		
9	76171-85C30-5ES	TRIM, FR pillar INR RH (Black)	1		
10	76181-85C30-5ES	TRIM, FR pillar INR LH (Black)	1		
11	76191-85C30-5ES	TRIM, roof FR inner (Black)	1		
12	76211-85C30-5ES	TRIM, CTR pillar joint (Black)	1		
13	76221-60A40-5ES	TRIM, RR side INR RH (Black)	1		
14	76231-60A40-5ES	TRIM, RR side INR LH (Black)	1		
15	76240-85C10-5PK	TRIM, FR door opening (Black)	1		
16	76281-60A30	CLIP, FR pillar inner	6		
17	76281-60A30	CLIP, roof FR inner	4		
18	76282-60A30	CLIP, lower	2		
19	59934-85C00-5ES	CLIP, sill side inner (Black)	10		
20	76331-60A00	GARNISH, RR QTR inner RH	1		
21	76341-60A00	GARNISH, RR QTR inner LH	1		
22	76271-85C10-5ES	TRIM, rear gate (Black)	1		
23	09409-08308-5PK	CLIP, rear gate	14		
24	76283-60A30-5ES	CLIP, assistant grip (Black)	2		
25	09409-05309-5ES	CLIP, upper (Black)	2		
26	59939-85C00	CLIP, rear side inner lower	6		
27	76283-60A30-5ES	CLIP, CTR pillar joint (Black)	4		
28	09409-07318-5ES	CLIP, sill side INR upper	2		
29	09409-08322	CLIP, rear side inner lower	8		

FIG. 84

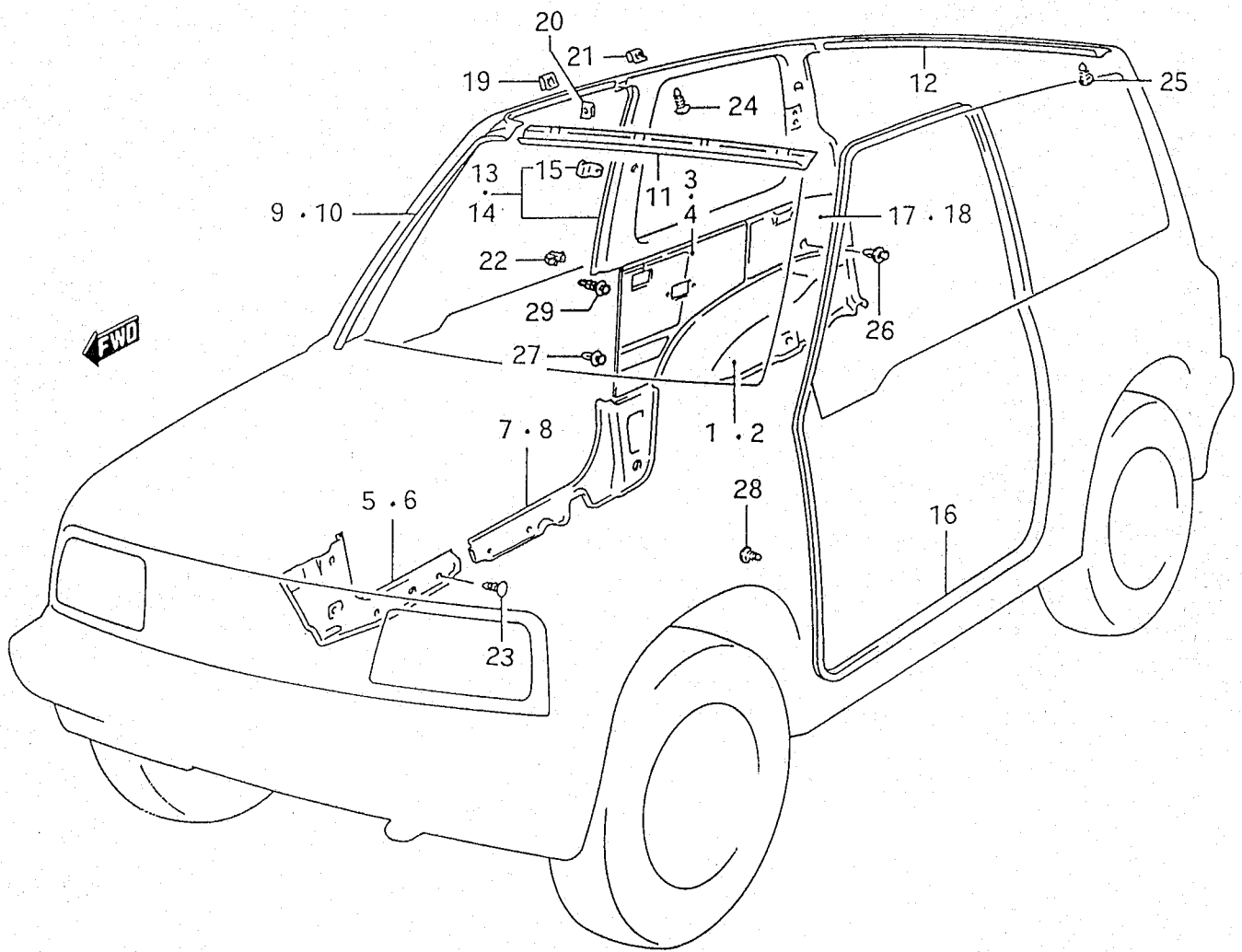


FIG. 84 (J-11) INTERIOR TRIM (V)

REF.NO.	PART NO.	DESCRIPTION	Q'TY	REMARKS
1	75140-60A00-5FE	TRIM, RR wheel HSG RH (Black)	1	
2	75150-60A00-5FE	TRIM, RR wheel HSG LH (Black)	1	
3	76110-85C30-5ES	TRIM, RR side INR lower RH	1	
4	76120-85C30-5ES	TRIM, RR side INR lower RH	1	
5	76131-60A30-5ES	TRIM, sill side INR FR RH (Black)	1	
6	76141-60A30-5ES	TRIM, sill side INR FR LH (Black)	1	
7	76151-60A30-5ES	TRIM, sill side INR RR RH (Black)	1	
8	76161-60A30-5ES	TRIM, sill side INR RR LH (Black)	1	
9	76171-85C80-5ES	TRIM, FR pillar INR RH (Black)	1	
10	76181-85C80-5ES	TRIM, FR pillar INR LH (Black)	1	
11	76191-85C80-5ES	TRIM, roof FR inner (Black)	1	
12	76211-85C80-5ES	TRIM, roof RR joint (Black)	1	
13	76221-85C80-5ES	TRIM, RR side INR upper RH (Black)	1	
14	76231-85C80-5ES	TRIM, RR side INR upper LH	1	
15	76283-85C80	.PLATE, trim RR side INR upper	28	
16	76240-85C10-5PK	TRIM, FR door opening (Black)	2	
17	76251-85C80-5ES	TRIM, RR side INR RH (Black)	1	
18	76261-85C80-5ES	TRIM, RR side INR LH (Black)	1	
19	76281-60A30	CLIP, FR pillar inner	14	
20	76281-60A30	CLIP, roof FR inner	5	
21	76281-60A30	CLIP, upper	2	
22	76282-60A30	CLIP, lower	2	
23	59934-85C00-5ES	CLIP, sill side inner (Black)	10	
24	59934-85C00-5ES	CLIP, RR side INR upper	12	
25	59935-85C00	CLIP, roof RR joint	5	
26	09409-08308-5PK	CLIP, RR side INR RR (Black)	4	
27	09409-08310	CLIP, RR side INR lower	6	
28	09409-07318-5ES	CLIP, sill side INR upper (Black)	2	
29	09409-08322	CLIP, RR side INR lower	8	

FIG. 85

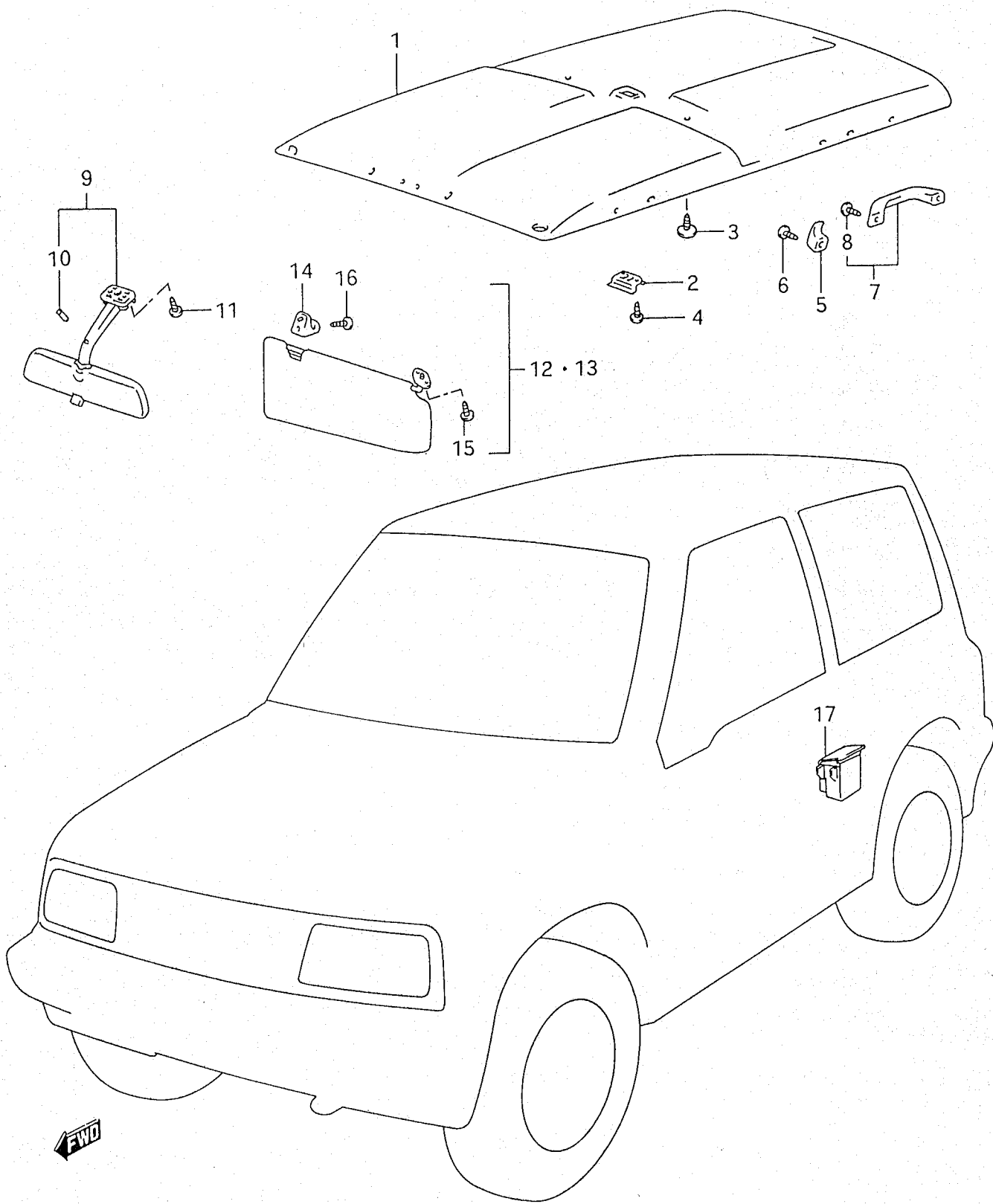


FIG.85 (J-12) HEADLINING AND SUNSHADE

REF.NO.	PART NO.	DESCRIPTION	Q'TY		REMARKS
			C	V	
1	78110-85C30-5EG	HEADLINING ASSY, roof (Gray)	-	1	
2	78121-61A00	SPACER, room lamp	-	1	
3	59811-85C00-5EH	CLIP, headlining roof (Gray)	-	7	
4	03241-05123	SCREW, room lamp spacer	-	1	
5	84491-61A10-5ES	HOOK, coat hunger (Black)	-	1	
6	03111-06253	SCREW, coat hook	-	1	
7	76400-61831-5ES	GRIP SET, assistant (Black)	-	3	
8	09125-06041	.SCREW, assistant grip	=	6	
9	84703-85C10-5PK	MIRROR, inside RR view (Black)	1	1	
10	84782-85C00	RUBBER	1	1	
11	02142-05123	SCREW	2	2	
12	84800-60851-5UN	SUNVISOR SET, RH (Gray)	1	1	
13	84800-60821-5UN	SUNVISOR SET, LH (Gray)	1	1	
14	84851-60B00-5ES	.HOLDER, sunvisor (Black)	2	2	
15	09127-05016	.SCREW, sunvisor	4	4	
16	03211-05163	.SCREW, holder	2	2	
17	89820-60A00-5ES	ASHTRAY, rear (Black)	2	2	

FIG. 86

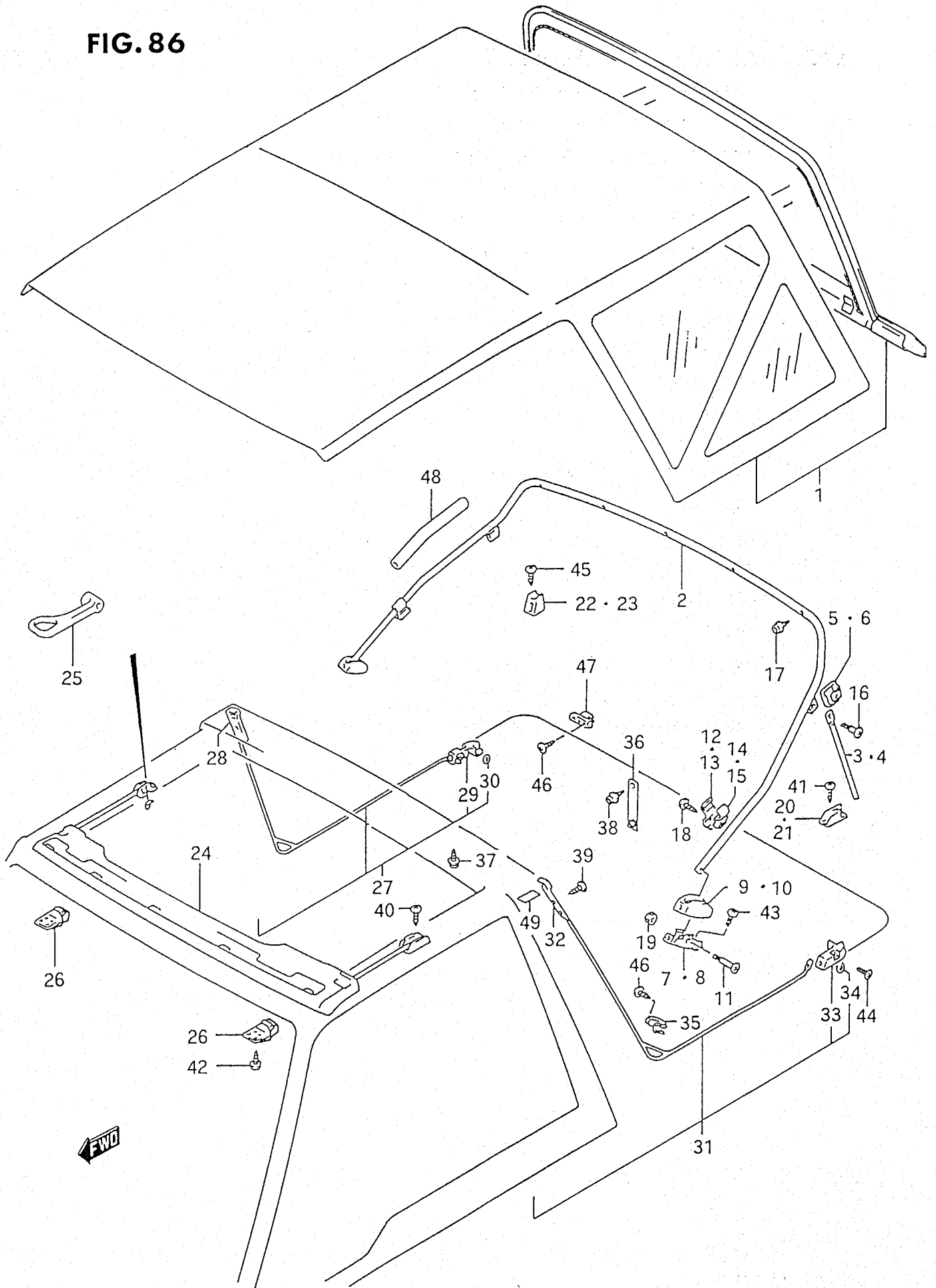


FIG.86 (J-13) DECK TOP (C)

REF.NO.	PART NO.	DESCRIPTION	Q'TY	REMARKS
			C	
1-1	78310-85C50-55M	TOP ASSY, deck (Black)	1	
1-2	78310-85C50-6ER	TOP ASSY, deck (White)	1	
2	78410-60A01	FRAME, topbow	1	
3	78421-60A02	STAY, topbow RH	1	
4	78422-60A02	STAY, topbow LH	1	
5	78441-60A00	COVER, topbow stay RH	1	
6	78451-60A00	COVER, topbow stay LH	1	
7	78442-60A02	BRACKET, topbow RH	1	
8	78452-60A02	BRACKET, topbow LH	1	
9	78443-60A01	COVER, topbow bracket RH	1	
10	78453-60A01	COVER, topbow bracket LH	1	
11	78444-60A01	SCREW, topbow	2	
12	78446-60A00	HOLDER, topbow stay No.1 RH	1	
13	78456-60A00	HOLDER, topbow stay No.1 LH	1	
14	78447-60A00	HOLDER, topbow stay No.2 RH	1	
15	78457-60A00	HOLDER, topbow stay No.2 LH	1	
16	09139-05037	SCREW, topbow stay	2	
17	09410-00074	MALE, topbow	5	
18	03511-05123	SCREW, stay holder	2	
19	08310-00063	NUT, topbow	2	
20	78461-60A00	STOPPER, topbow stay RH	1	
21	78462-60A00	STOPPER, topbow stay LH	1	
22	78471-60A00	STOPPER, topbow RH	1	
23	78472-60A00	STOPPER, topbow LH	1	
24	78510-60A02	FRAME, topbow FR	1	
25	78518-60A01	.ROD, tension	2	
26	78520-60A00	LOCK, front frame	2	
27	78530-60A00	FRAME, topbow side RH	1	
28	78532-60A00	.BRKT, frame upper RH	1	
29	78533-60A00	.BRKT, rear RH	1	
30	78534-60A00	.NUT, side frame	2	
31	78540-60A00	FRAME, topbow side LH	1	
32	78542-60A00	.BRKT, frame upper LH	1	
33	78543-60A00	.BRKT, rear LH	1	
34	78534-60A00	.NUT, side frame	2	

SE416 E22 SANTANA

FIG. 86 (J-14) DECK TOP (C)

REF.NO.	PART NO.	DESCRIPTION	Q'TY	REMARKS
			C	
35	78554-60A00	HOLDER, frame	2	
36	78553-85C00	BAND, topbow	1	
37	09410-00074	MALE, canvas	2	
38	09410-00075	MALE, rear gate	1	
39	02112-06123	SCREW, topbow side upper	4	
40	02112-06163	SCREW, topbow FR frame	4	
41	02112-06203	SCREW, stopper	4	
42	02142-06163	SCREW, lock	4	
43	09139-06058	SCREW, bracket	4	
44	09139-06058	SCREW, topbow side lower	2	
45	03141-05203	SCREW, topbow stopper	4	
46	03541-05123	SCREW, holer	10	
47	78555-60A00	HOLDER, rear window	3	
48	78432-60A00	PROTECTOR, top bow side	2	
49	78571-60A00	PROTECTOR, CTR pillar	2	

FIG. 87

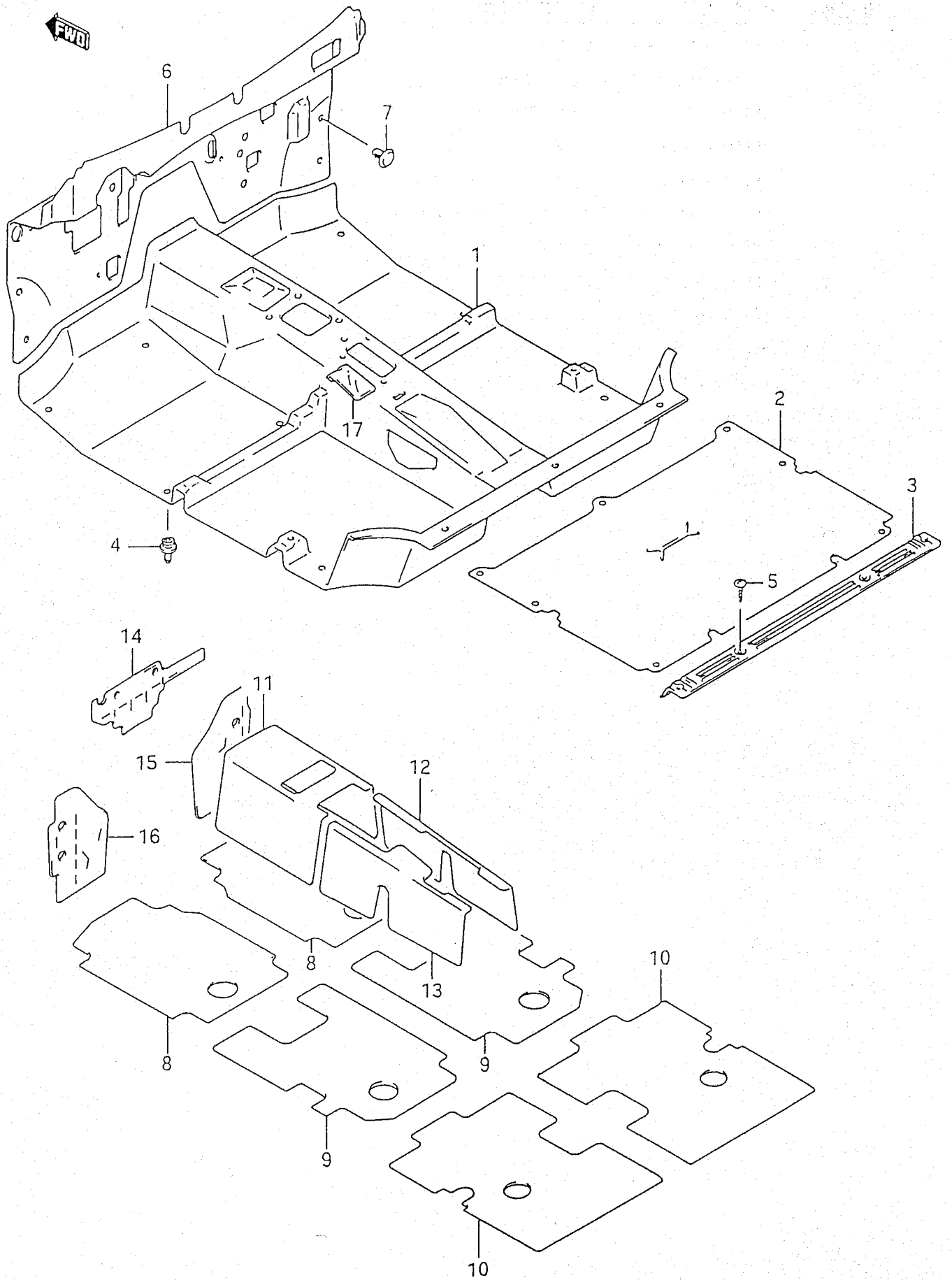


FIG. 87 (J-15) FLOOR CARPET

REF.NO.	PART NO.	DESCRIPTION	Q'TY		REMARKS
			C	V	
1	75160-85C10-5EZ	CARPET, front floor (Gray)	1	1	USE 75160-85C09
2	75180-85C20-6MA	CARPET, rear floor (Gray)	1	1	
3	75191-56B00	GARNISH, luggage mat end	1	1	
4	59991-85C00	MALE, hook	11	11	
5	09132-05041	SCREW, garnish	4	4	
6	75210-85C00	SILENCER, dash panel	1	1	
7	59933-85C00	CLIP, dash silencer	10	10	
8	75311-60A10	SHEET, FR floor silencer FR	2	2	
9	75312-60A10	SHEET, FR floor silencer RR	2	2	
10	75331-60A10	SHEET, RR floor silencer	2	2	
11	75313-60A01	SHEET, FL tunnel silencer FR	1	1	
12	75314-56B00	SHEET, FL tunnel silencer RR RH	1	1	
13	75315-60A01	SHEET, FL tunnel silencer RR LH	1	1	
14	75341-56B10	SHEET, dash silencer CTR	1	1	
15	75342-56B20	SHEET, dash silencer RH	1	1	
16	75343-56B10	SHEET, dash silencer RH	1	1	

FIG. 88

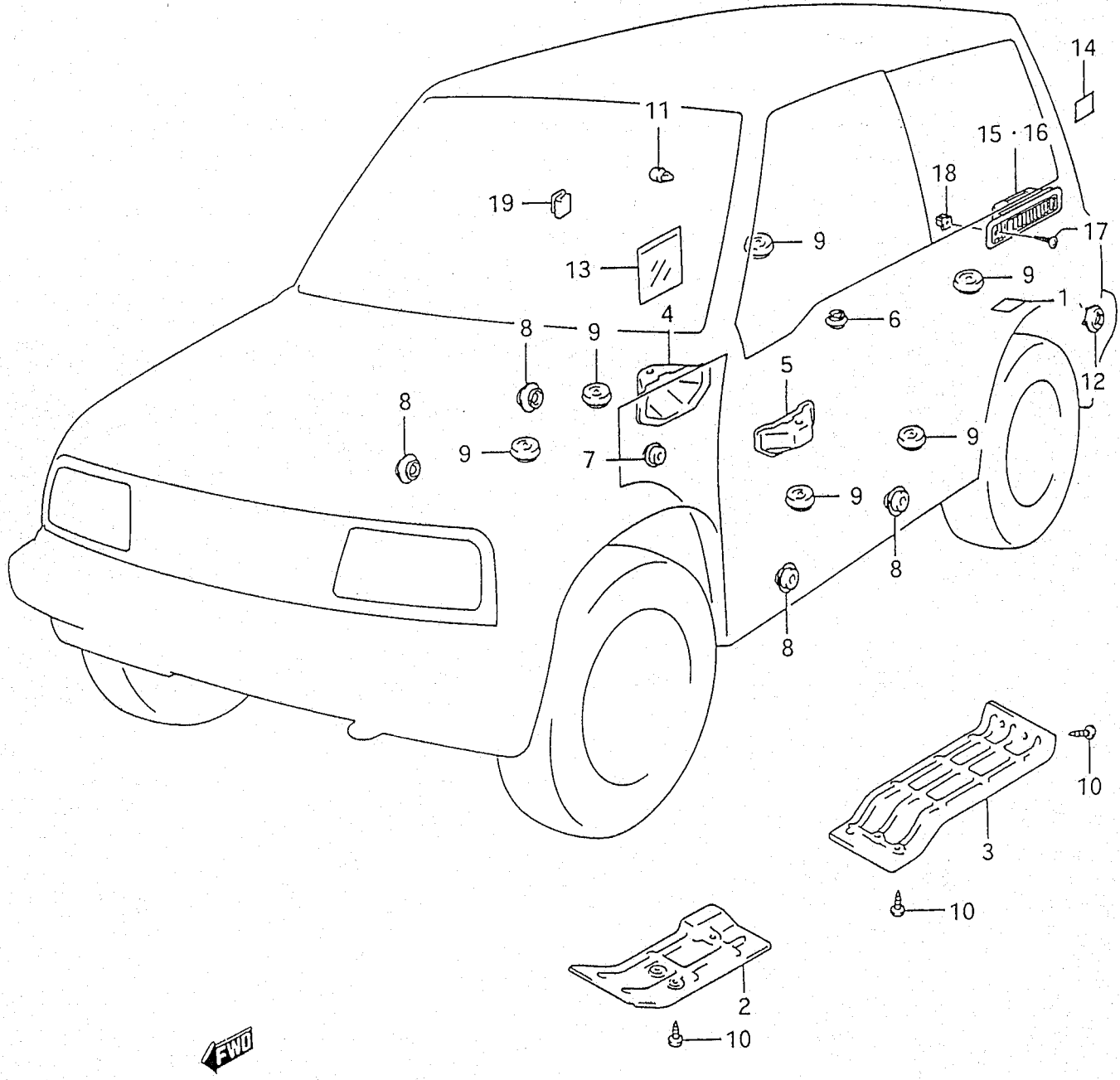


FIG.88 (J-16) BODY CAP AND COVER

REF.NO.	PART NO.	DESCRIPTION	Q'TY		REMARKS
			C	V	
1	72115-70000	SEAL, RR coil spring bracket	2	2	
2	75511-60A01	PANEL, heat protector front	1	1	
3	75512-60A01	PANEL, heat protector rear	1	1	
4	75611-60A01	COVER, seat bracket RH	1	1	
5	75711-60A01	COVER, seat bracket LH	1	1	
6	59961-85C00	CAP, rear floor drain	1	1	
7	09250-20015	CAP, hood lock cable	1	1	
8	09250-25007	CAP, sill side inner	4	4	
9	09250-30015	CAP, floor	6	6	
10	03141-06163	SCREW, heat protector	7	7	
11	77131-60A10	CUSHION, fuel lid	2	2	
12	09250-16013	CAP, side body rear	2	2	
13	76481-61A00	FILM, rear QTR water proof	-	2	
14	72115-85C00	SEAL, jig hole	2	2	
15	77110-61A10	AIR OUTLET ASSY, side RH	-	1	
16	77120-61A10	AIR OUTLET ASSY, side LH	-	1	
17	03122-04163	SCREW	-	2	
18	09148-04021	NUT	-	2	
19	77132-60A00	STOPPER, fuel lid	1	1	

FIG. 89

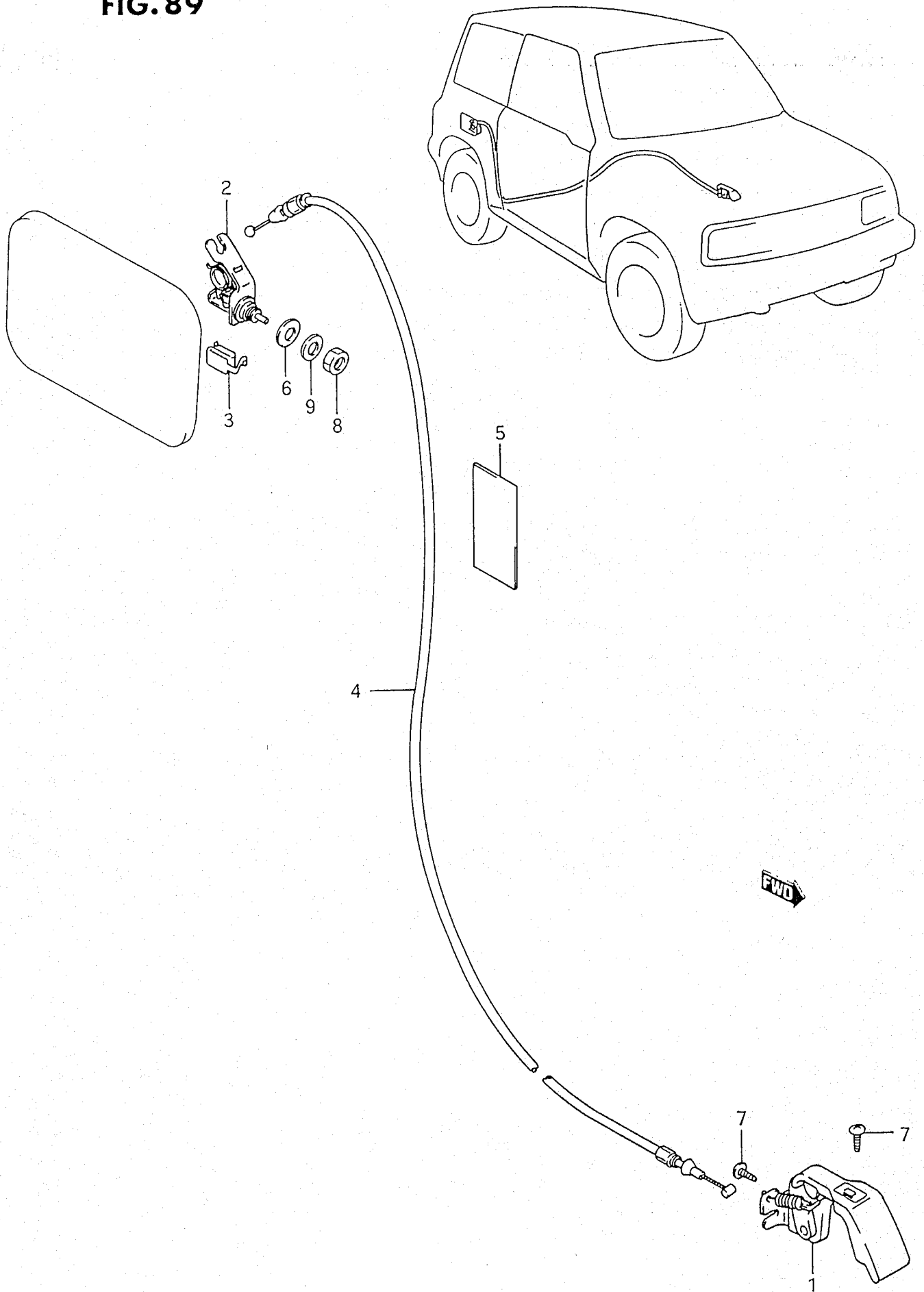


FIG. 89 (K- 2) FUEL LID OPENER (V)

REF.NO.	PART NO.	DESCRIPTION	Q'TY	REMARKS
			V	
1	76510-60A00	HANDLE ASSY, fuel opener	1	
2	76520-60A00	OPENER ASSY, fuel lid	1	
3	76531-60A20	SPRING	1	
4	76550-85C60	CABLE ASSY, fuel opener	1	
5	76561-60A00	TAPE, cable	6	
6	09160-13011	WASHER	1	
7	03241-06123	SCREW, handle	2	
8	08310-00103	NUT, opener	1	
9	08322-01103	WASHER	1	

FIG. 90

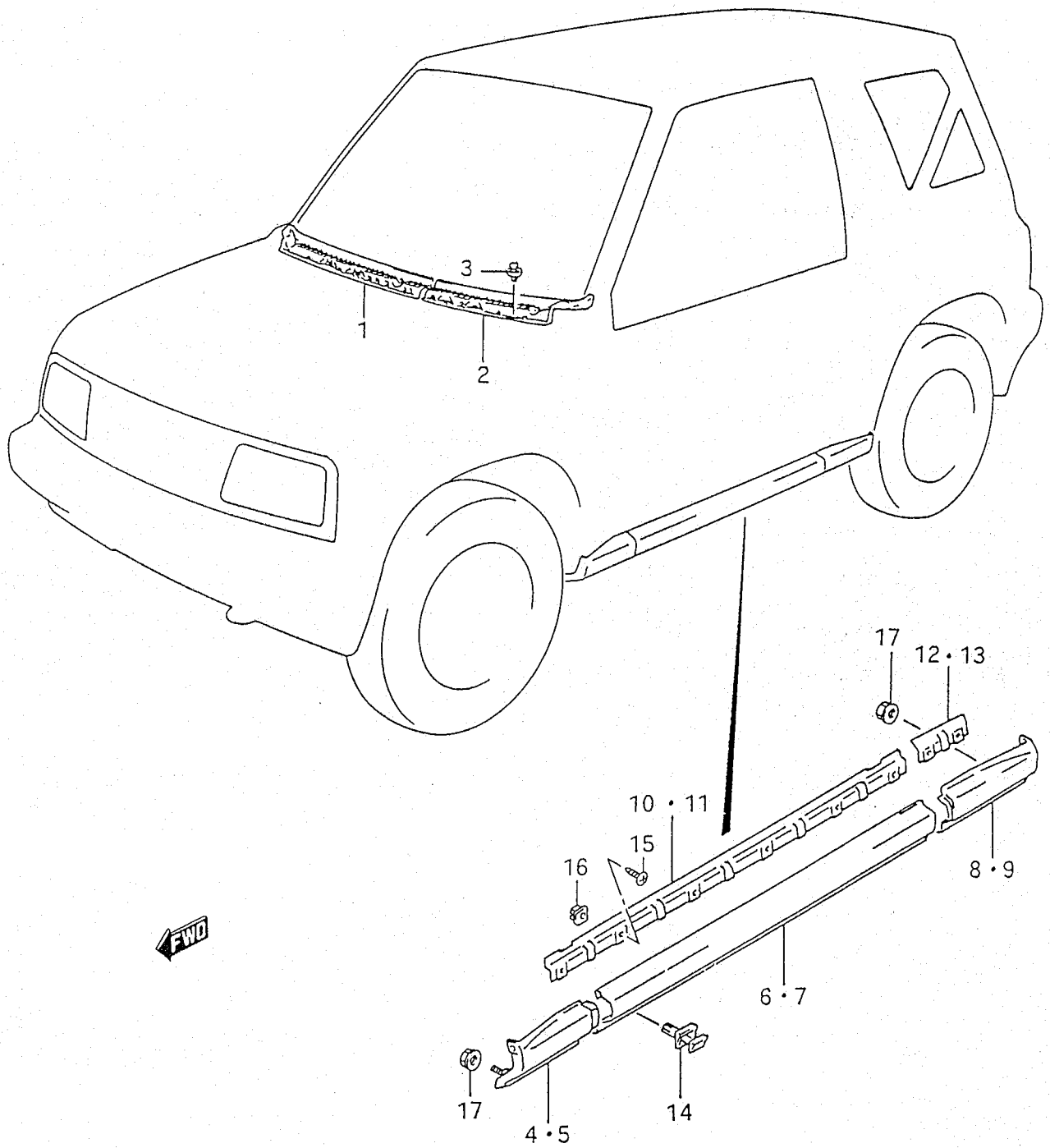


FIG.90 (K- 3) GARNISH (C)

REF.NO.	PART NO.	DESCRIPTION	Q'TY		REMARKS
			C		
1	77311-60A00-5PK	GARNISH, cowl CTR RH (Black)	1		
2	77312-60A10-5PK	GARNISH, cowl CTR LH (Black)	1		
3	09409-07308-5PK	CLIP, cowl garnish (Black)	9		
4	77531-60A10-5PK	PROTECTOR, sill side FR RH (Black)	1		
5	77541-60A10-5PK	PROTECTOR, sill side FR LH (Black)	1		
6	77536-60A10-5PK	PROTECTOR, sill side CTR RH (Black)	1		
7	77546-60A10-5PK	PROTECTOR, sill side CTR LH (Black)	1		
8	77532-60A10-5PK	PROTECTOR, sill side RR RH (Black)	1		
9	77542-60A10-5PK	PROTECTOR, sill side RR LH (Black)	1		
10	77534-60A10	HOLDER, protector CTR RH	1		
11	77544-60A10	HOLDER, protector CTR LH	1		
12	77535-60A10	HOLDER, protector RR RH	1		
13	77545-60A10	HOLDER, protector RR LH	1		
14	77537-60A10-5PK	CLIP, sill side protector (Black)	8		
15	03141-05163	SCREW, protector holder	16		
16	59918-85C00	NUT, protector holder	16		
17	08316-10063	NUT, protector	4		

FIG. 91

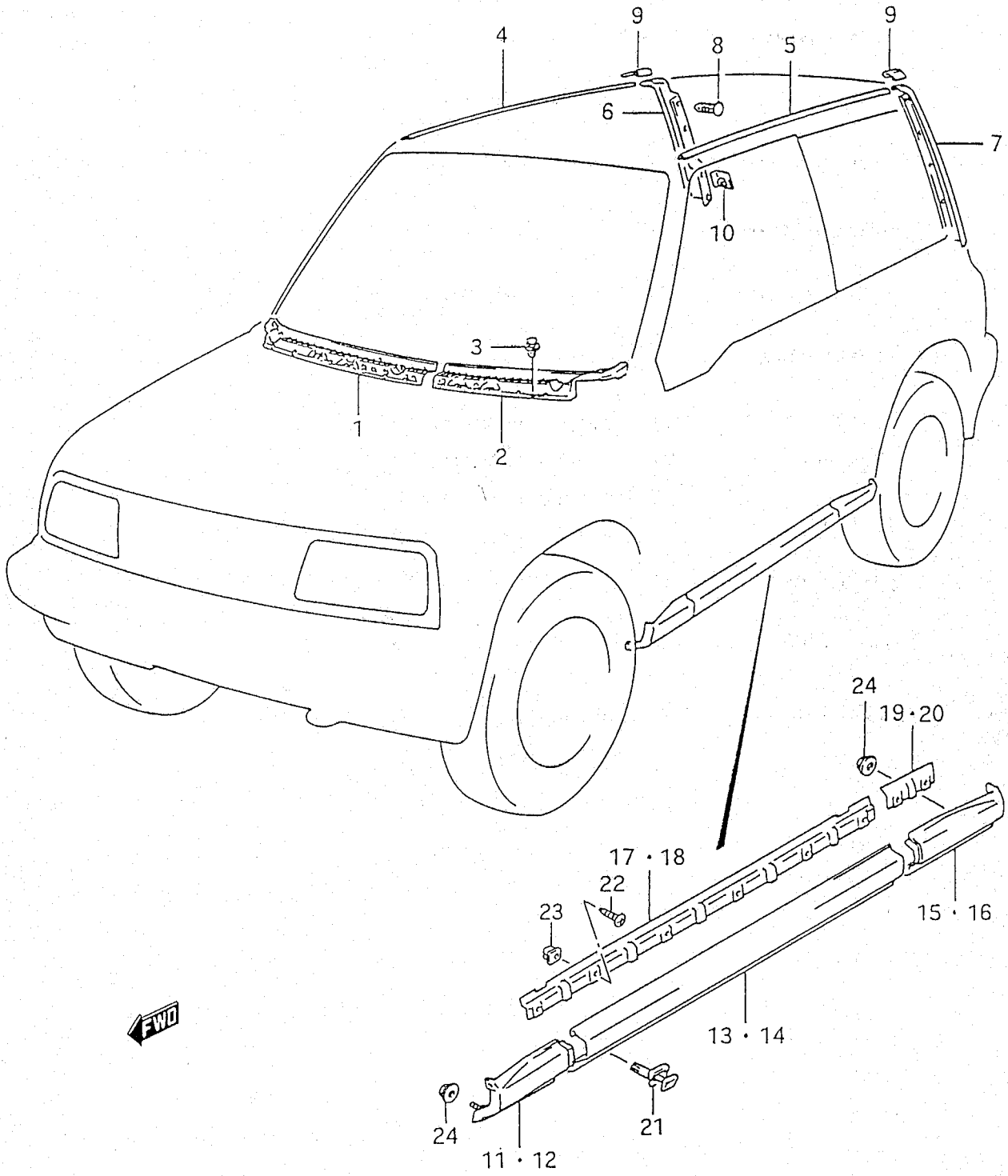


FIG. 91 (K- 4) GARNISH (V)

REF.NO.	PART NO.	DESCRIPTION	Q'TY		REMARKS
			V		
1	77311-60A00-5PK	GARNISH, cowl CTR RH (Black)	1		
2	77312-60A10-5PK	GARNISH, cowl CTR LH (Black)	1		
3	09409-07308-5PK	CLIP, cowl garnish (Black)	9		
4	77571-56B00-5PK	MOLDING, roof drip side RH (Black)	1		cut as required
5	77575-56B00-5PK	MOLDING, roof drip side LH (Black)	1		cut as required
6	77512-61A00-5PK	GARNISH, rear pillar RH (Black)	1		
7	77522-61A00-5PK	GARNISH, rear pillar LH (Black)	1		
8	09409-10304-5ES	CLIP, rear pillar garnish (Black)	10		
9	77515-61A10-5PK	JOINT, roof drip side molding (Black)	2		
10	77517-61A00	HOOK, rear pillar garnish	8		
11	77531-60A10-5PK	PROTECTOR, sill side FR RH (Black)	1		
12	77541-60A10-5PK	PROTECTOR, sill side FR LH (Black)	1		
13	77536-60A10-5PK	PROTECTOR, sill side CTR RH (Black)	1		
14	77546-60A10-5PK	PROTECTOR, sill side CTR LH (Black)	1		
15	77532-60A10-5PK	PROTECTOR, sill side RR RH (Black)	1		
16	77542-60A10-5PK	PROTECTOR, sill side RR LH (Black)	1		
17	77534-60A10	HOLDER, protector center RH	1		
18	77544-60A10	HOLDER, protector center LH	1		
19	77535-60A10	HOLDER, protector rear RH	1		
20	77545-60A10	HOLDER, protector rear LH	1		
21	77537-60A10-5PK	CLIP, sill side PTCT (Black)	8		
22	03141-05163	SCREW, protector holder	16		
23	59918-85C00	NUT, protector holder	16		
24	08316-10063	NUT, protector	4		

FIG. 92

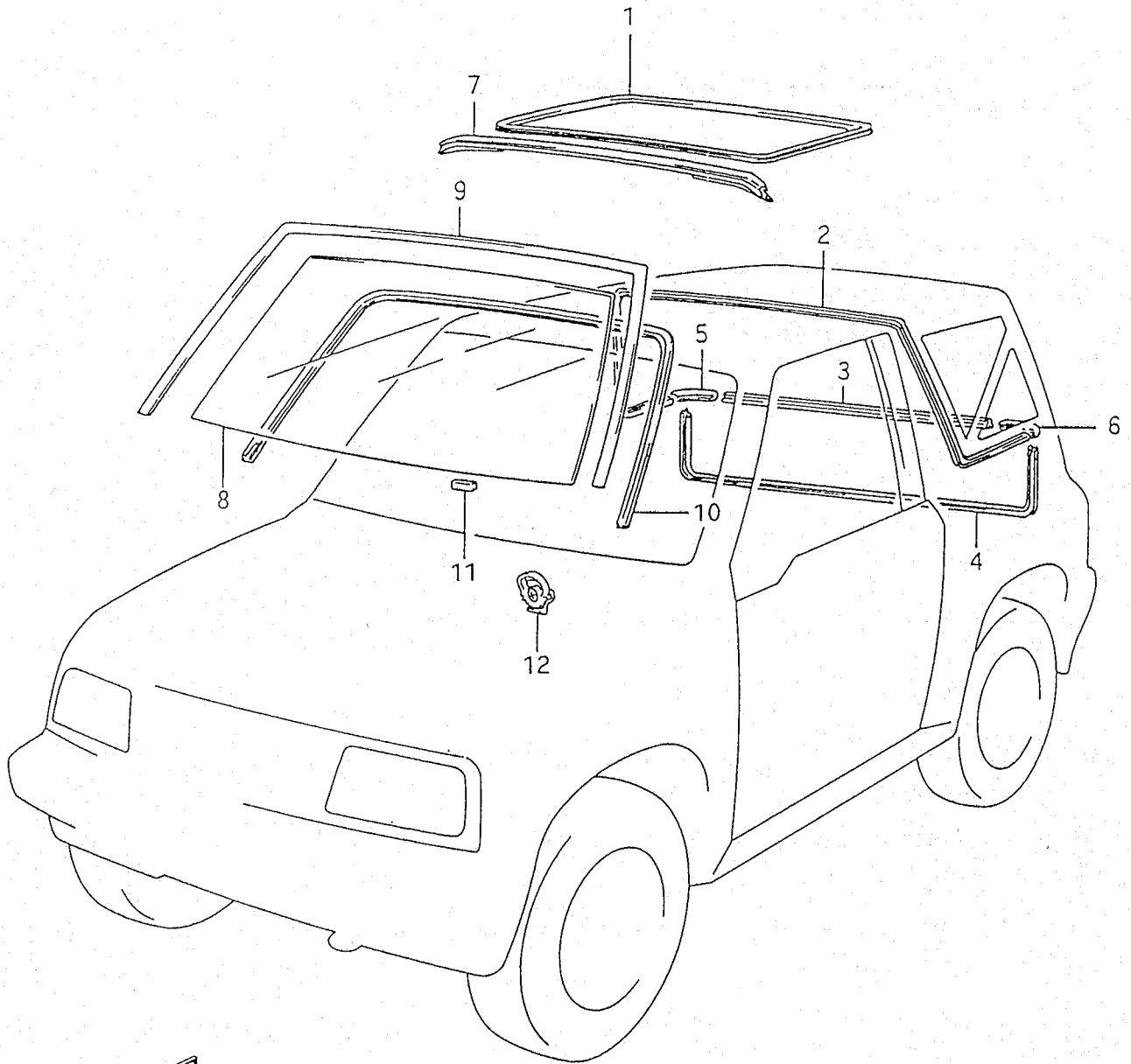


FIG.92 (K- 5) WINDSHIELD - WEATHERSTRIP AND WINDOW MOLDING (C)

REF.NO.	PART NO.	DESCRIPTION	Q'TY	REMARKS
			C	
1	77151-64A00	WEATHERSTRIP, front roof	1	
2	77161-60A00	WEATHERSTRIP, side body	1	
3	77162-60A00	WEATHERSTRIP, rear gate upper	1	
4	77165-60A11	WEATHERSTRIP, rear gate	1	
5	77166-60A01	WEATHERSTRIP, rear gate RH	1	
6	77167-60A01	WEATHERSTRIP, rear gate LH	1	
7	77170-60A00	SEAL, front roof	1	
8	84515-85C00	GLASS, windshild	1	
9	84611-56B00-5PK	MOLDING, windshield (Black)	1	
10	84616-61A00-5PK	TRIM, windshield opening (Black)	1	
11	84617-61A10	SPACER, windshield glass	1	
12	84618-85C00	STOPPER, windshield glass	2	

FIG. 93

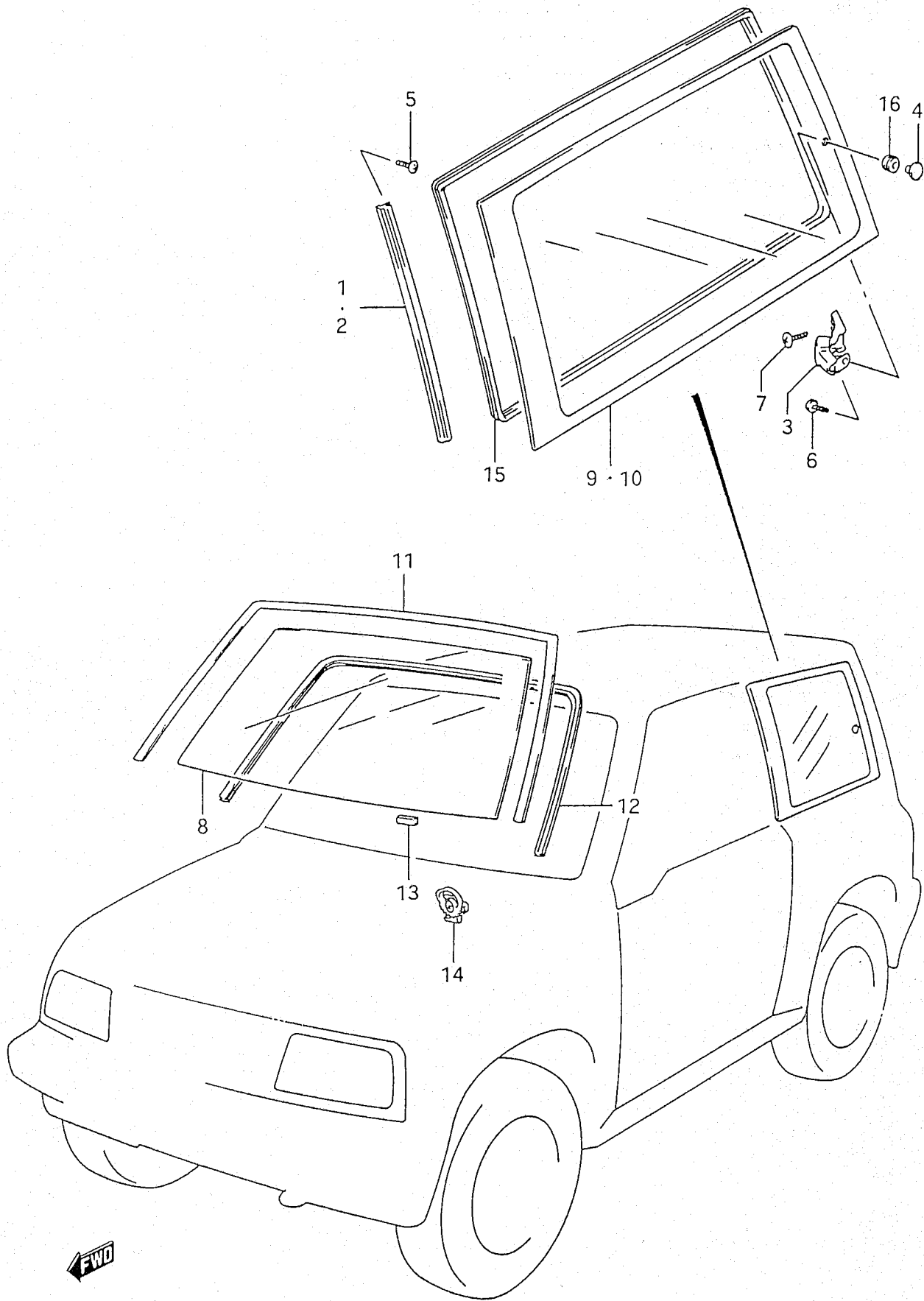
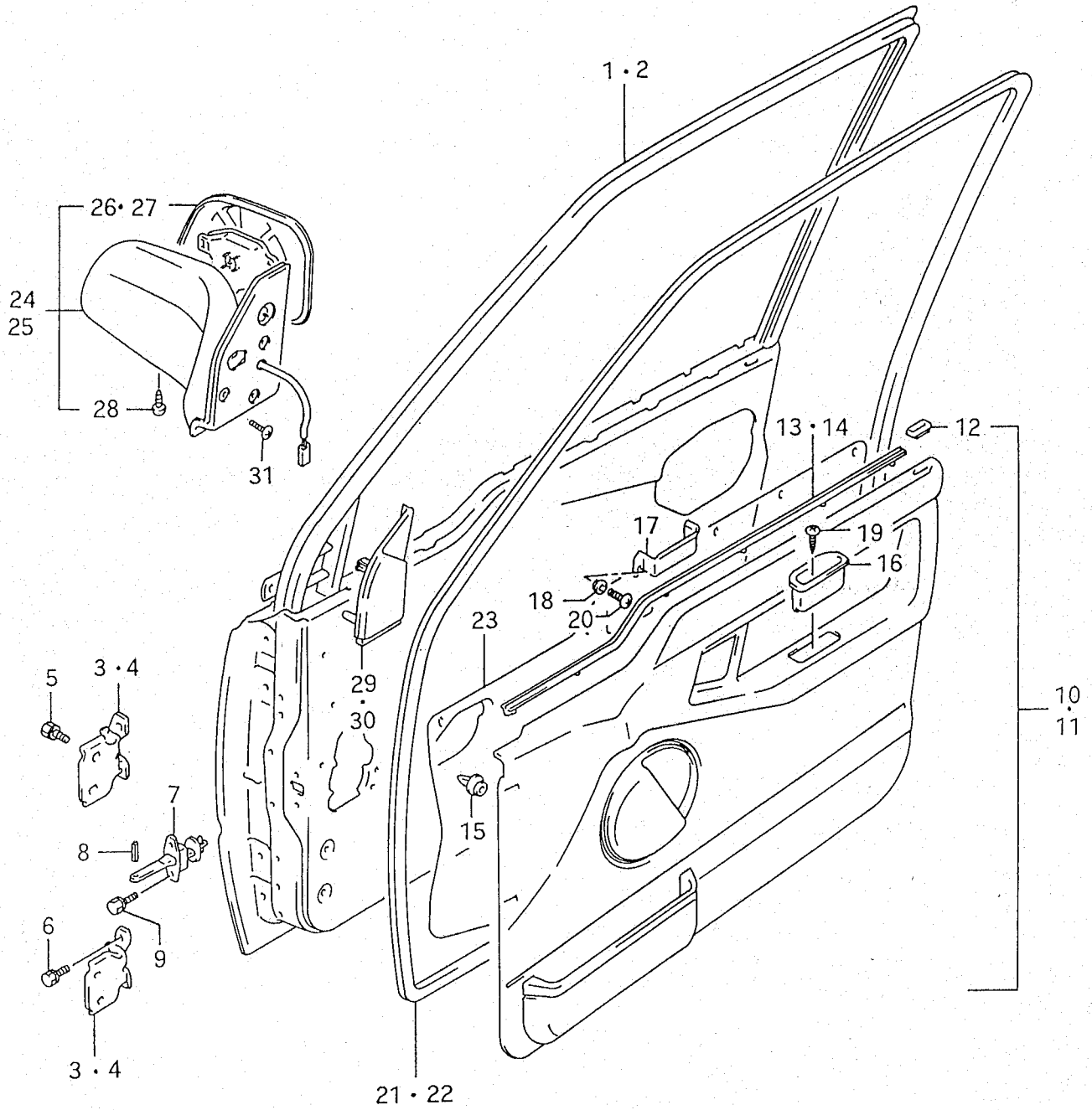


FIG. 93 (K- 6) WINDSHIELD - WEATHERSTRIP AND WINDOW MOLDING (V)

REF.NO.	PART NO.	DESCRIPTION	Q'TY		REMARKS
				V	
1	81411-62A00	PROTECTOR, QTR WDO hinge RH		1	
2	81416-62A00	PROTECTOR, QTR WDO hinge LH		1	
3	81430-61A00	LOCK, QTR window glass		2	
4	81451-80102	COVER, QTR window glass outer		2	
5	02112-36123	SCREW, QTR WDO glass hinge body		4	
6	02142-05103	SCREW, QTR WDO glass lock cover		2	
7	02142-06163	SCREW, QTR WDO glass lock body		4	
8	84515-85C00	GLASS, windshield		1	
9	84561-85C10	GLASS, QTR window RH		1	
10	84566-85C10	GLASS, QTR window LH		1	
11	84611-56B00-5PK	MOLDING, windshield (Black)		1	
12	84616-61A00-5PK	TRIM, windshield opening (Black)		1	
13	84617-61A10	SPACER, windshield glass		1	
14	84618-85C00	STOPPER, windshield glass		2	
15	84671-62A00-5PK	WEATHERSTRIP, QTR window (Black)		2	
16	69275-78200	PAD, QTR window glass cover		2	

FIG. 94

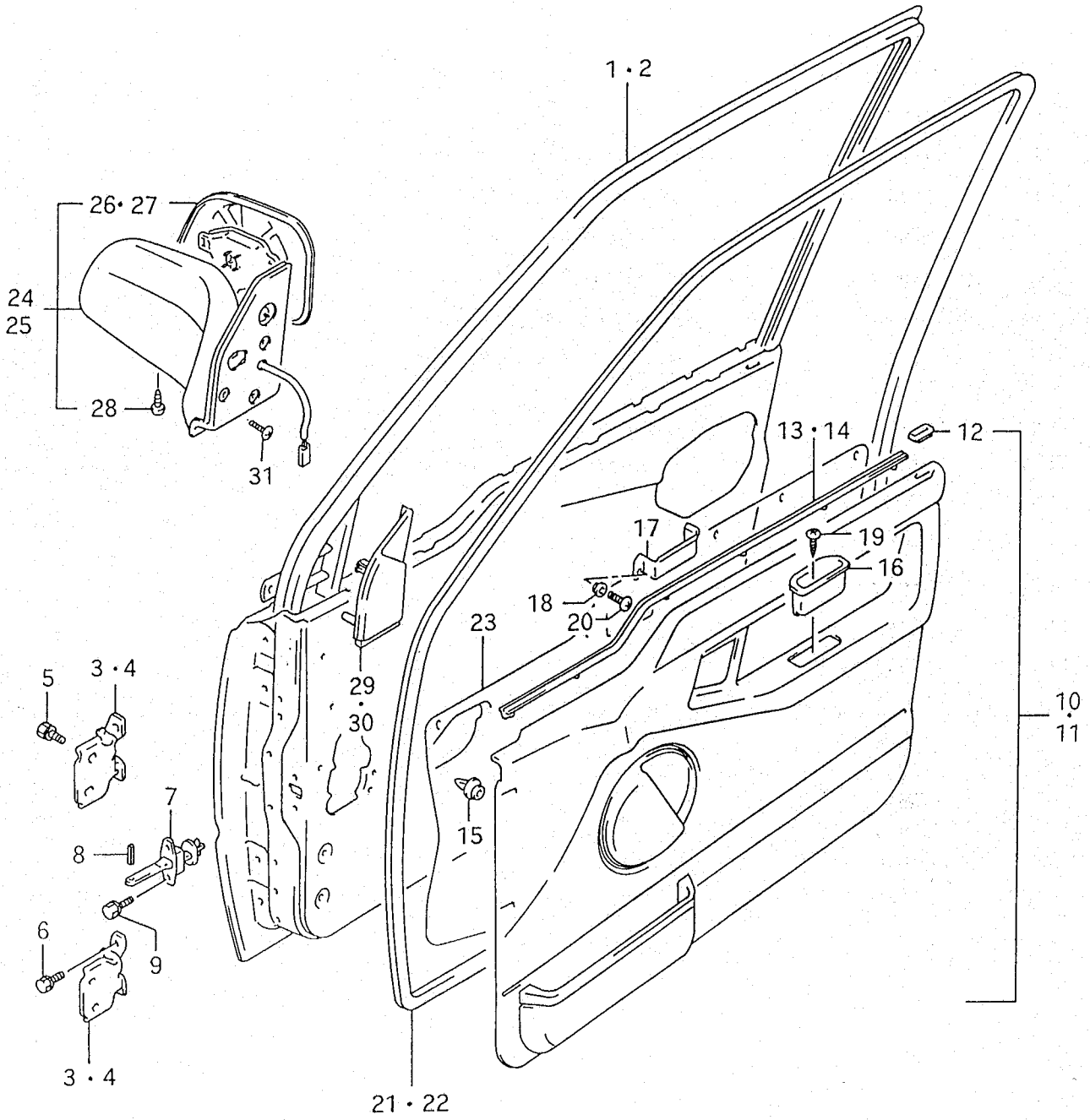


← FWD

FIG.94 (K- 7) FRONT DOOR PANEL

REF.NO.	PART NO.	DESCRIPTION	Q'TY		REMARKS
			C	V	
1	68001-66A10	PANEL ASSY, front door RH	1	1	
2	68002-66A10	PANEL ASSY, front door LH	1	1	
3	69310-85C00	HINGE, front door No.1	2	2	upper RH and lower
4	69340-85C00	HINGE, front door No.2	2	2	upper LH and lower
5	09118-08156	BOLT, hinge pillar (8x25)	8	8	
6	01570-08203	BOLT, hinge door	8	8	
7	81810-56B00	STOP, front door open	2	2	
8	81831-70B00	PIN, open stop body	2	2	
9	01580-06163	BOLT, open stop	4	4	
10	83701-85C10-5FE	TRIM, door RH (Black)	1	1	
11	83702-85C10-5FE	TRIM, door LH (Black)	1	1	
12	83723-85C00-5ES	.CAP, DR inside lock knob (Black)	2	2	
13	83721-61A00	.WEATHERSTRIP, door INR RH	1	1	
14	83741-61A00	.WEATHERSTRIP, door INR LH	1	1	
15	09409-08320	CLIP, door trim	18	18	
16	84481-60A00-5ES	CASE, pull handle (Black)	2	2	
17	84482-60A01	BRACKET, DR inside pull handle	2	2	
18	09148-06007	NUT, pull handle bracket	4	4	
19	03141-04123	SCREW, pull handle case	2	2	
20	03541-06163	SCREW, pull handle bracket	4	4	
21	84641-65A01	WEATHERSTRIP, DR opening RH	1	1	
22	84651-65A01	WEATHERSTRIP, DR opening LH	1	1	
23	83911-60A00	COVER, door sealing	2	2	

FIG. 94

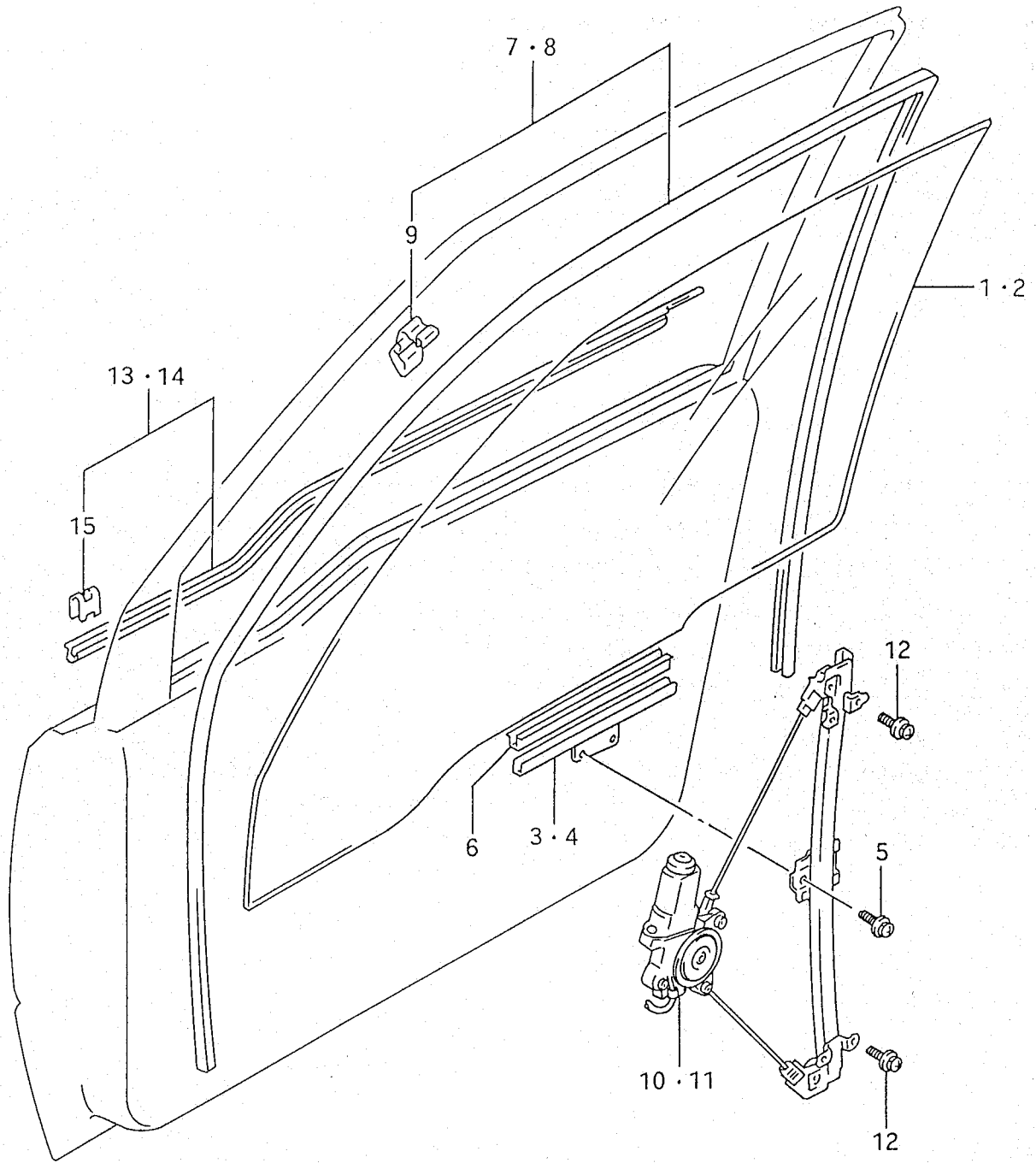


FWD

FIG.94 (K- 8) FRONT DOOR PANEL

REF.NO.	PART NO.	DESCRIPTION	Q' TY		REMARKS
			C	V	
24-1	84701-85C10-OFT	MIRROR, OUT RR view RH (Red)	1	1	
24-2	84701-85C10-OVP	MIRROR, OUT RR view RH (Green)	1	1	
24-3	84701-85C10-1FG	MIRROR, OUT RR view RH (Blue)	1	1	
24-4	84701-85C10-1PU	MIRROR, OUT RR view RH (Magenta)	1	1	
24-5	84701-85C10-1PV	MIRROR, OUT RR view RH (Green)	1	1	
24-6	84701-85C10-15P	MIRROR, OUT RR view RH (Red)	1	1	
24-7	84701-85C10-26U	MIRROR, OUT RR view RH (White)	1	1	
24-8	84701-85C10-38B	MIRROR, OUT RR view RH (Gray)	1	1	
25-1	84702-85C10-OFT	MIRROR, OUT RR view LH (Red)	1	1	
25-2	84702-85C10-OVP	MIRROR, OUT RR view LH (Green)	1	1	
25-3	84702-85C10-1FG	MIRROR, OUT RR view LH (Blue)	1	1	
25-4	84702-85C10-1PU	MIRROR, OUT RR view LH (Magenta)	1	1	
25-5	84702-85C10-1PV	MIRROR, OUT RR view LH (Green)	1	1	
25-6	84702-85C10-15P	MIRROR, OUT RR view LH (Red)	1	1	
25-7	84702-85C10-26U	MIRROR, OUT RR view LH (White)	1	1	
25-8	84702-85C10-38B	MIRROR, OUT RR view LH (Gray)	1	1	
26	84720-85C10	.MIRROR, RH	1	1	
27	84760-85C10	.MIRROR, LH	1	1	
28	03511-04103	.SCREW	2	2	
29	84750-85C10-5PK	GARNISH, sash BRKT INR RH (Black)	1	1	
30	84790-85C00-5PK	GARNISH, sash BRKT INR LH (Black)	1	1	
31	02142-06123	SCREW	6	6	

FIG. 95



← FWD

FIG.95 (K- 9) FRONT DOOR GLASS

REF.NO.	PART NO.	DESCRIPTION	Q'TY		REMARKS
			C	V	
1	84531-85C00	GLASS, window RH	1	1	
2	84536-85C00	GLASS, window LH	1	1	
3	83610-85C00	CHANNEL, glass bottom RH	1	1	
4	83620-85C00	CHANNEL, glass bottom LH	1	1	
5	02112-76123	SCREW, glass bottom	4	4	
6	83691-60A00	RUBBER, glass bottom CHAN	2	2	
7	83660-60A00	RUN, door glass RH	1	1	
8	83680-60A00	RUN, door glass LH	1	1	
9	83662-60A00	.GUIDE, glass	2	2	
10	83401-62A00	REGULATOR ASSY, RH	1	1	
11	83402-62A00	REGULATOR ASSY, LH	1	1	
12	02112-76123	SCREW, window regulator	14	14	
13	83810-65A00	WEATHERSTRIP, door out RH	1	1	
14	83820-65A00	WEATHERSTRIP, door out LH	1	1	
15	83812-60A00	.CLIP	14	14	

FIG. 96

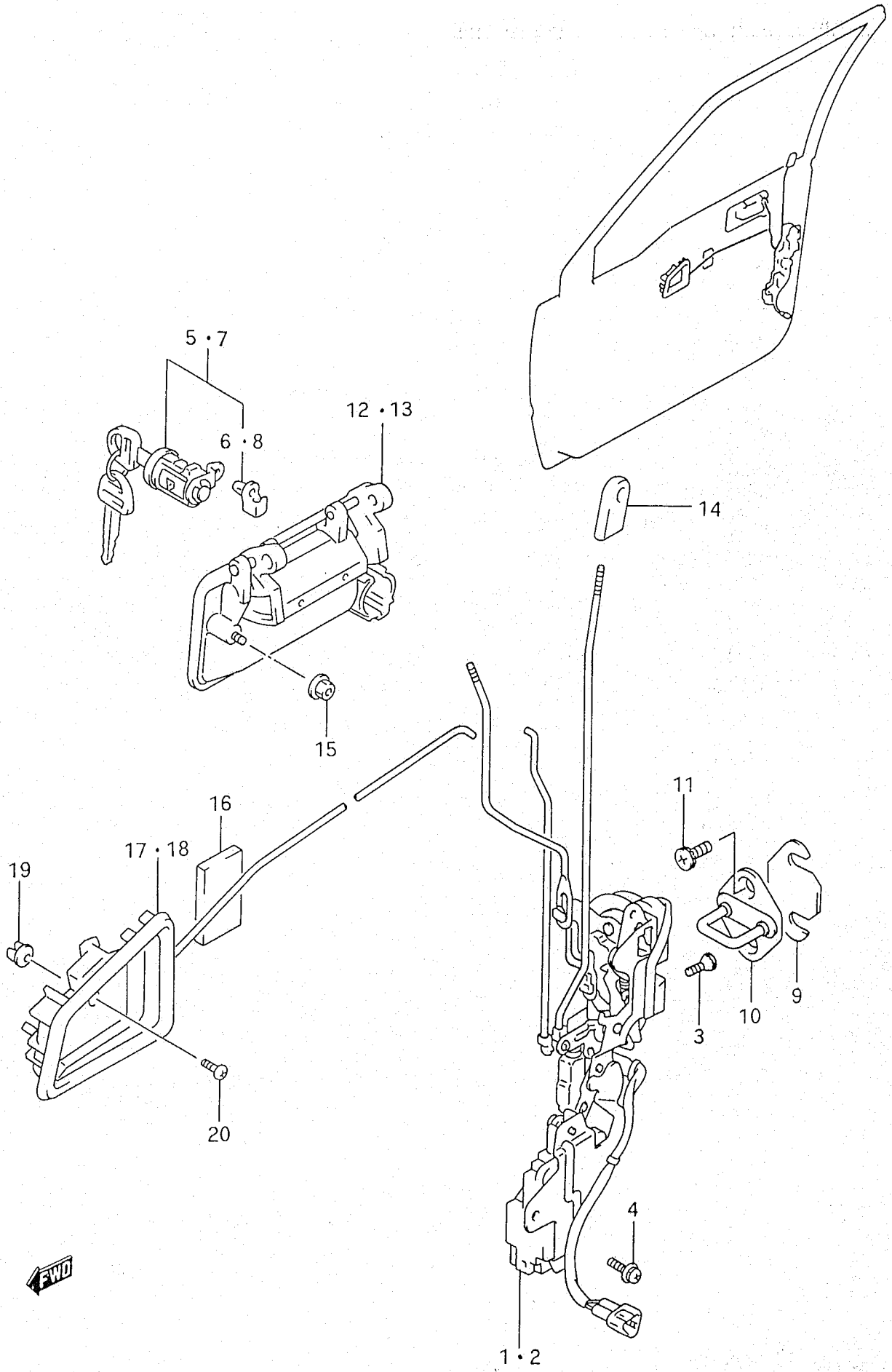


FIG. 96 (K-10) FRONT DOOR LOCK

REF.NO.	PART NO.	DESCRIPTION	Q'TY		REMARKS
			C	V	
1	82201-66A00	LATCH ASSY, front door RH	1	1	
2	82202-66A00	LATCH ASSY, front door LH	1	1	
3	02122-56163	SCREW, door latch	6	6	
4	09138-06026	SCREW, door latch	2	2	
5	82200-60831	CYLINDER SET, door RH	1	1	
6	82277-60A00	.HOLDER, RH	1	1	
7	82200-60841	CYLINDER SET, door LH	1	1	
8	82287-60A00	.HOLDER, LH	1	1	
9	78199-78000	SPACER, latch striker	AR	0~2	
10	82610-60A00	STRIKER, door latch	2	2	
11	09137-08004	SCREW, door latch striker	4	4	
12-1	82810-85C00-OFT	HANDLE, door out RH (Red)	1	1	
12-2	82810-85C00-OVP	HANDLE, door out RH (Green)	1	1	
12-3	82810-85C00-1FG	HANDLE, door out RH (Blue)	1	1	
12-4	82810-85C00-1PU	HANDLE, door out RH (Magenta)	1	1	
12-5	82810-85C00-1PV	HANDLE, door out RH (Green)	1	1	
12-6	82810-85C00-15P	HANDLE, door out RH (Red)	1	1	
12-7	82810-85C00-26U	HANDLE, door out RH (White)	1	1	
12-8	82810-85C00-38B	HANDLE, door out RH (Gray)	1	1	
13-1	82820-85C00-OFT	HANDLE, door out LH (Red)	1	1	
13-2	82820-85C00-OVP	HANDLE, door out LH (Green)	1	1	
13-3	82820-85C00-1FG	HANDLE, door out LH (Blue)	1	1	
13-4	82820-85C00-1PU	HANDLE, door out LH (Magenta)	1	1	
13-5	82820-85C00-1PV	HANDLE, door out LH (Green)	1	1	
13-6	82820-85C00-15P	HANDLE, door out LH (Red)	1	1	
13-7	82820-85C00-26U	HANDLE, door out LH (White)	1	1	
13-8	82820-85C00-38B	HANDLE, door out LH (Gray)	1	1	
14	82973-60A01-5ES	KNOB, door inside lock (Black)	2	2	
15	08316-20063	NUT, door outer handle	4	4	
16	77591-75000	PAD, door inside handle	4	4	
17	83110-85C00-5ES	HANDLE, door inside RH (Black)	1	1	
18	83130-85C00-5ES	HANDLE, door inside LH (Black)	1	1	
19	09148-06007	NUT, door inside handle	2	2	
20	03121-05163	SCREW, door inside handle	2	2	

SE416 E22 SANTANA

FIG. 97

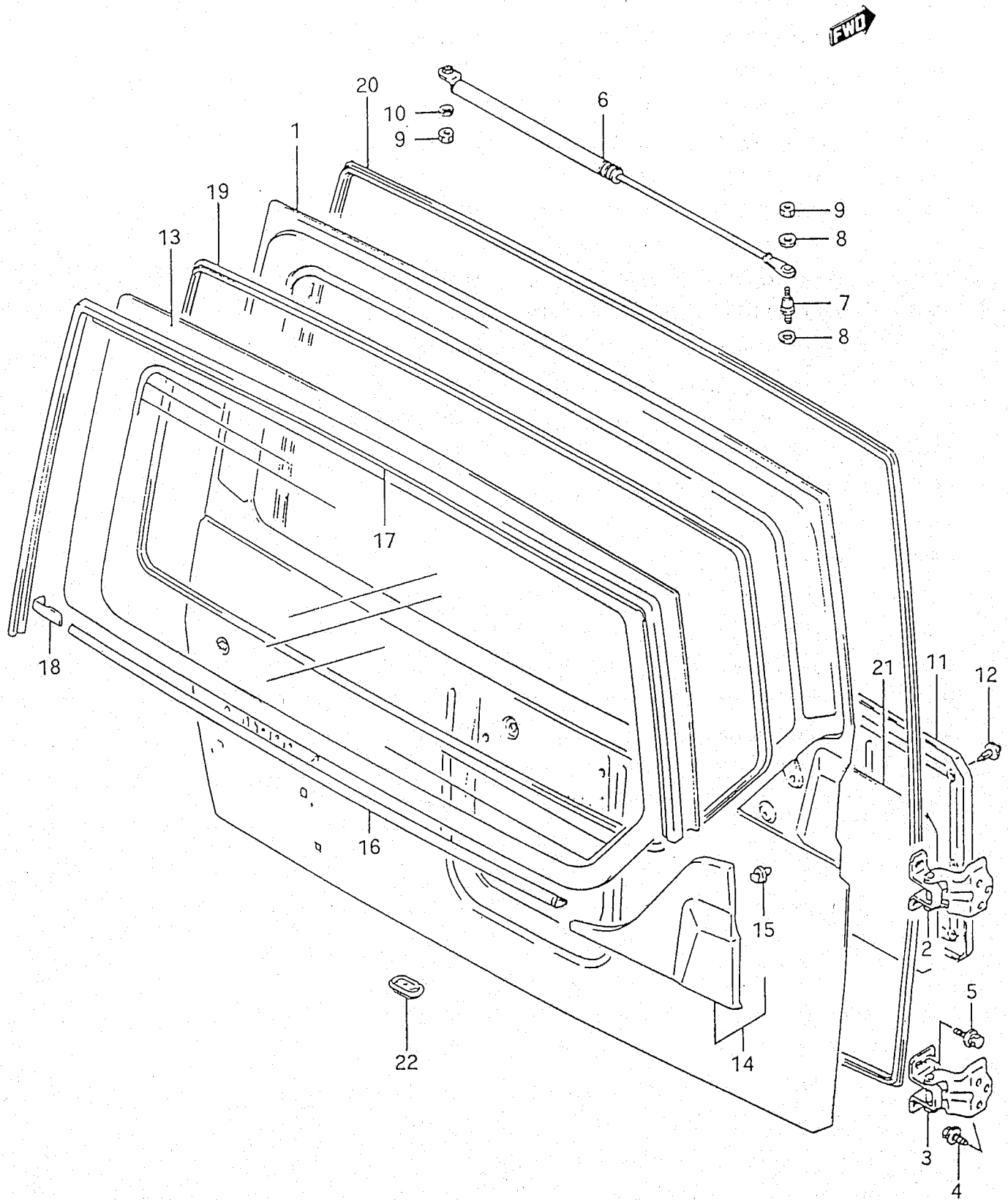


FIG.97 (K-11) BACK DOOR PANEL (V)

REF.NO.	PART NO.	DESCRIPTION	Q'TY	REMARKS
			V	
1	69100-61A50	PANEL ASSY, back door	1	
2	69510-85C00	HINGE, back door upper	1	
3	69520-85C00	HINGE, back door lower	1	
4	09118-08156	BOLT, hinge pillar (8x25)	6	
5	09118-08156	BOLT, hinge door (8x25)	6	
6	81851-85C00	UNIT, back door balancer	1	
7	81852-61A00	SHAFT, back door balancer door	1	
8	09160-06107	WASHER, back door balancer	2	
9	08310-00063	NUT, back door balancer	2	
10	08322-01083	WASHER, back door balancer door	1	
11	83770-62A00-5FE	TRIM, back door (Black)	1	
12	09409-08320	CLIP, back door trim	15	
13	84575-85C00	GLASS, back DR window	1	
14	83940-61A00-5PK	GARNISH, OUT RH (Black)	1	
15	83942-61A00	.CLIP, back door garnish	2	
16	84621-61A00-5PK	MOLDING, window No.1 (Black)	1	
17	84622-56B00-5PK	MOLDING, window No.2 (Black)	1	
18	84626-61A00-5PK	.JOINT, WDO MLDG lower (Black)	1	
19	84627-61A00-5PK	TRIM, WDO opening (Black)	1	
20	84681-61A01-5PK	WEATHERSTRIP, opening (Black)	1	
21	83913-61A50	COVER, sealing	1	
22	83914-85C00	COVER, service hole	1	

FIG. 98

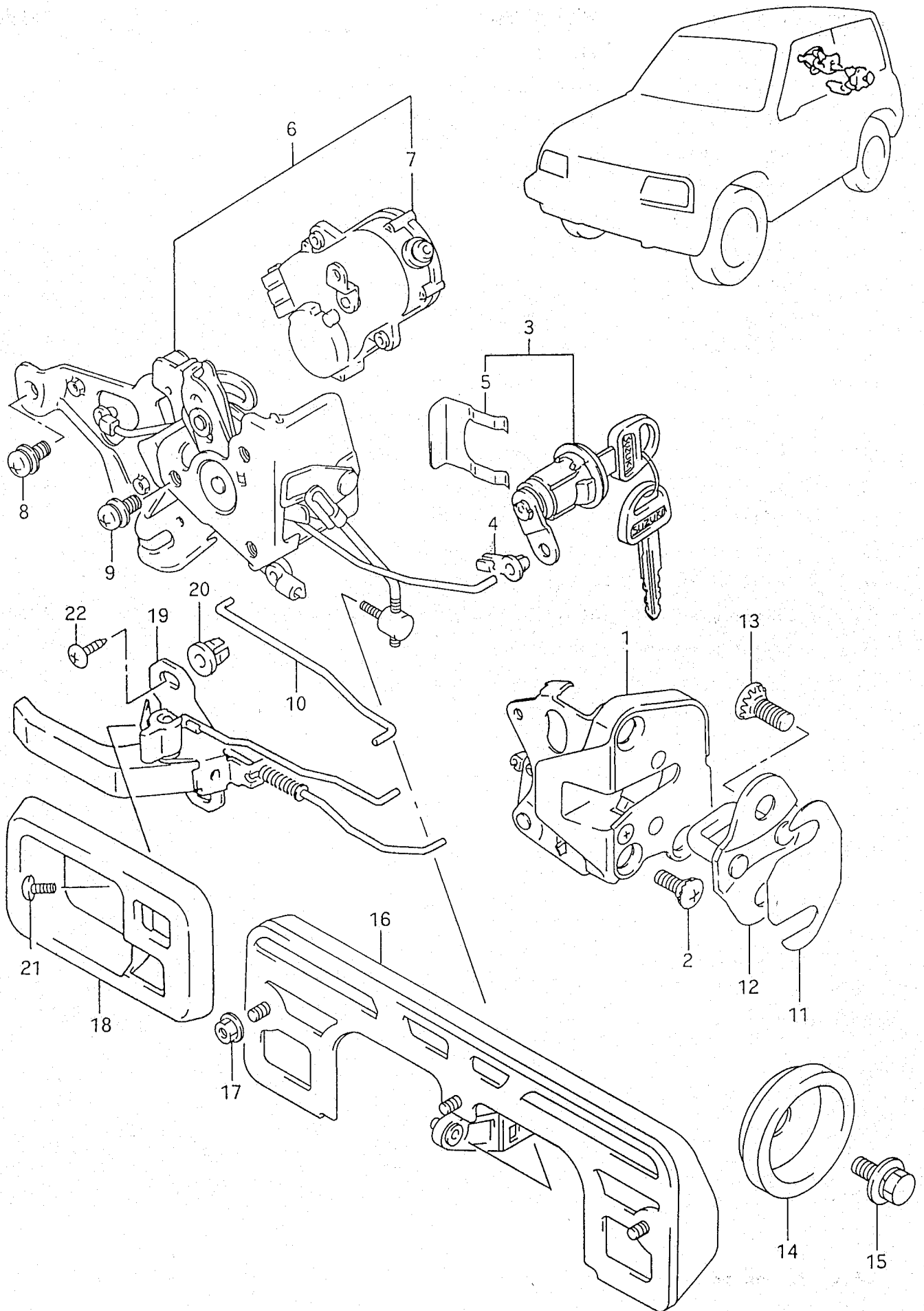
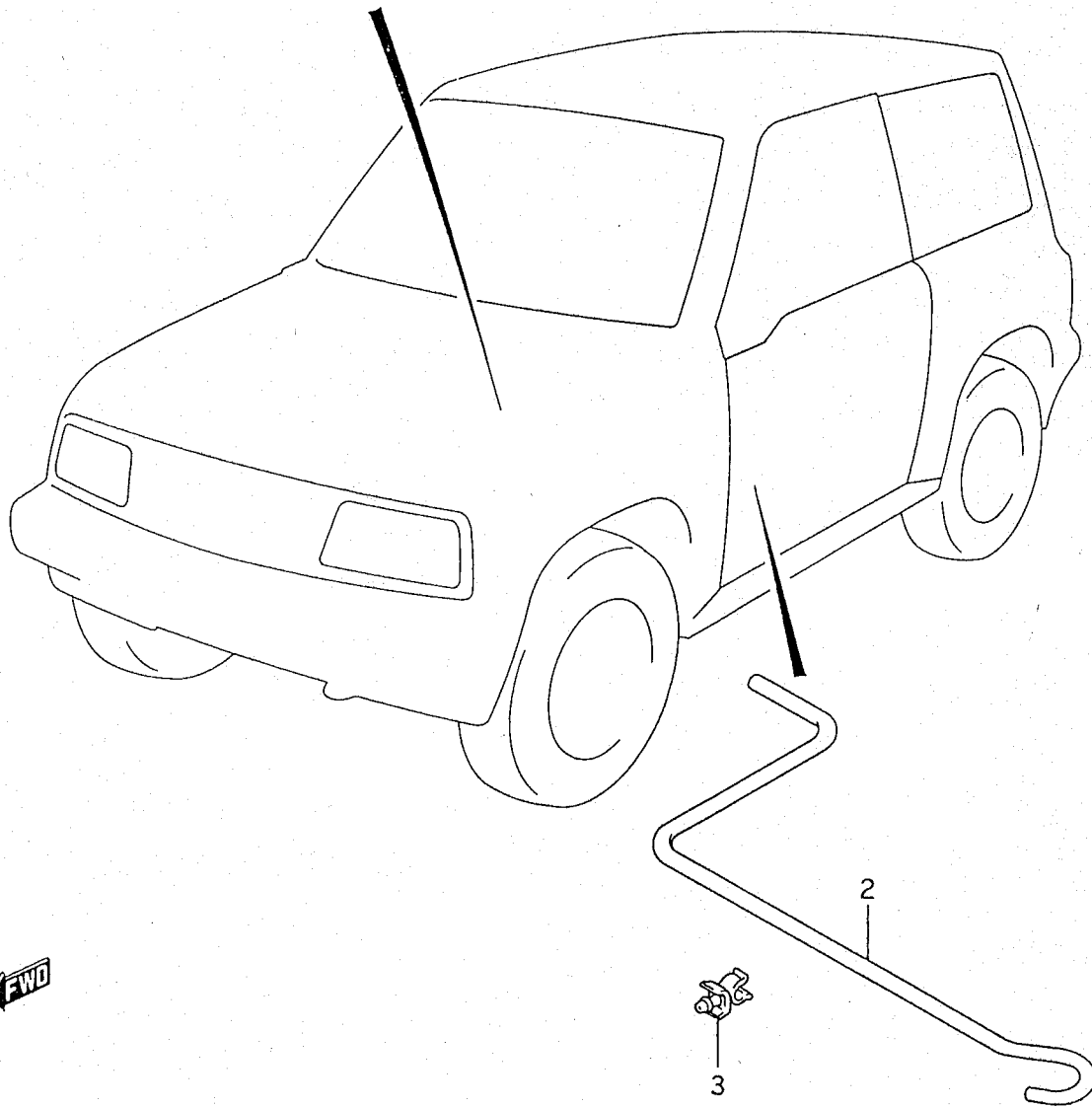
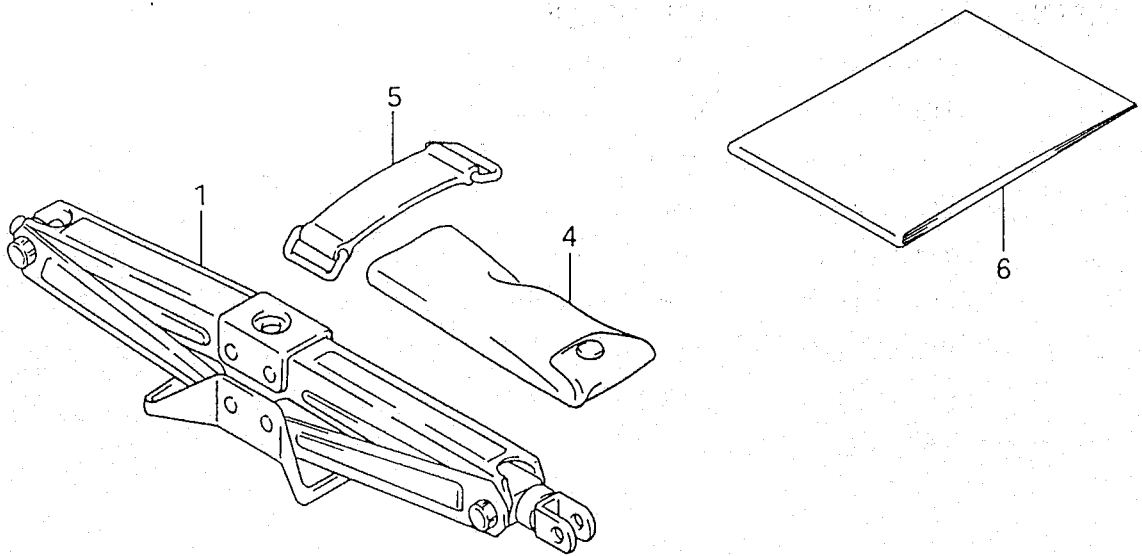


FIG. 98 (K-12) BACK DOOR LOCK (V)

REF.NO.	PART NO.	DESCRIPTION	Q'TY		REMARKS
			V		
1	82530-61A00	LATCH ASSY, back door	1		
2	02122-56163	SCREW, back door latch	3		
3	82500-60831	CYLINDER SET, latch lock	1		
4	82287-60A00	.HOLDER	1		
5	82577-61A00	.RETAINER	1		
6	83170-58B00	LINK, back door latch	1		
7	82550-57B00	.ACTUATOR, door latch	1		
8	02112-76123	SCREW, actuator	1		
9	02112-76123	SCREW, actuator	1		
10	83175-85C00	ROD, back door latch	1		
11	78199-78000	SPACER, latch striker	0~1		
12	82660-61A00	STRIKER, back door latch	1		
13	09137-08006	SCREW, back door latch striker	2		
14	82761-85C00	MALE, back door stop	1		
15	09118-08128	BOLT, male	1		
16-1	82850-85C00-OFT	HANDLE, door outer (Red)	1		
16-2	82850-85C00-OVP	HANDLE, door outer (Green)	1		
16-3	82850-85C00-1FG	HANDLE, door outer (Blue)	1		
16-4	82850-85C00-1PU	HANDLE, door outer (Magenta)	1		
16-5	82850-85C00-1PV	HANDLE, door outer (Green)	1		
16-6	82850-85C00-15P	HANDLE, door outer (Red)	1		
16-7	82850-85C00-26U	HANDLE, door outer (White)	1		
16-8	82850-85C00-38B	HANDLE, door outer (Gray)	1		
17	08316-20063	NUT, back door outer handle	3		
18	82981-82000-5PK	BEZEL, inside handle (Black)	1		
19	83190-62A00-5ES	HANDLE, inside (Black)	1		
20	09148-06007	NUT, handle	2		
21	03141-04083	SCREW, bezel	1		
22	03241-06123	SCREW, handle	2		

FIG. 99



← FWD

FIG.99 (K-13) JACK AND TOOL

REF.NO.	PART NO.	DESCRIPTION	Q'TY		REMARKS
			C	V	
1	89968-85C00	JACK ASSY	1	1	
2	89931-85C00	HANDLE, jack	1	1	
3	09403-08323	CLIP	1	1	
4	89960-85C00	TOOL	1	1	
5	09462-00008	BAND , tool	1	1	
6	99011-60A21-22G	MANUAL, owner's	1	1	

FIG. 100

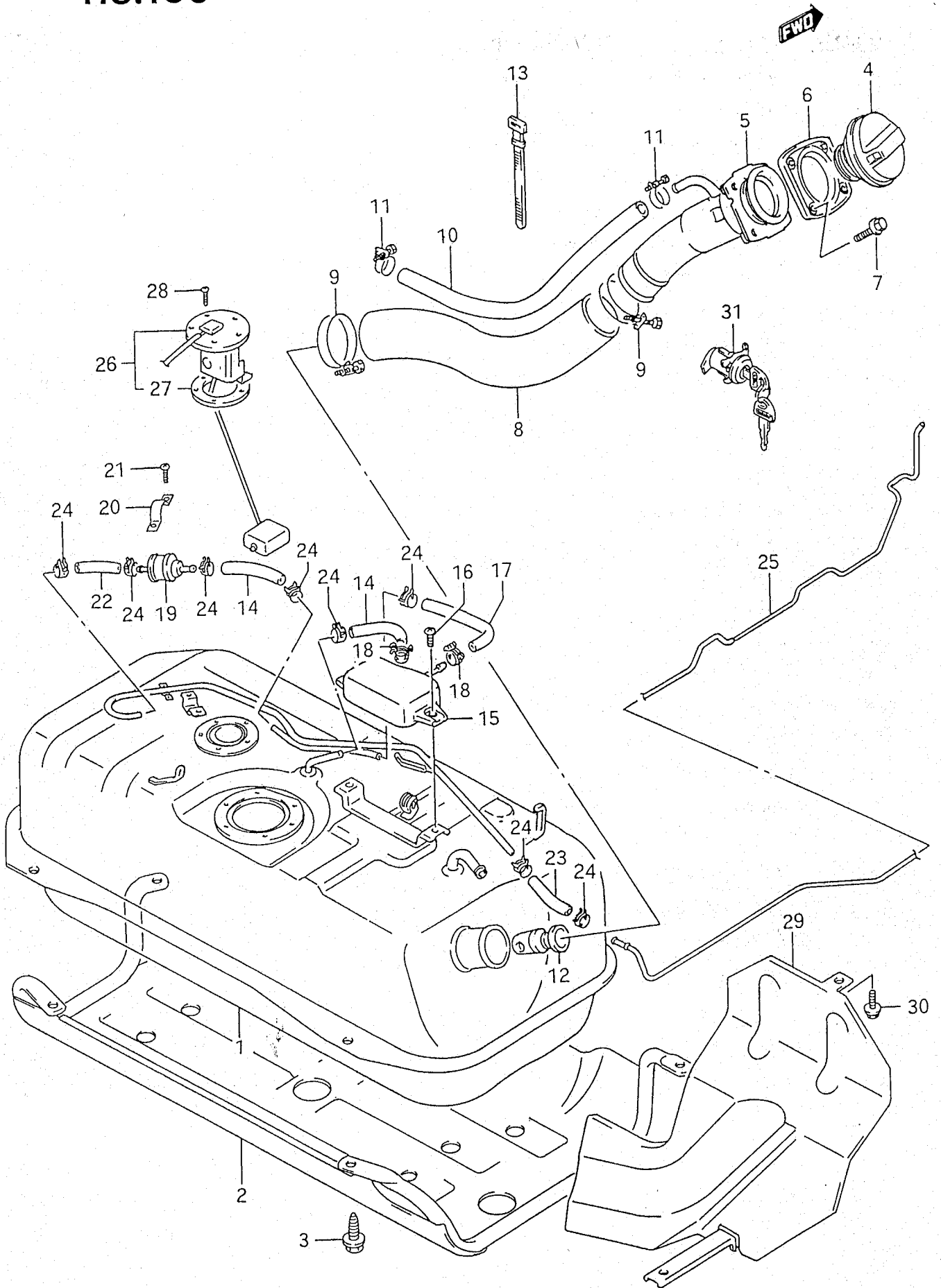


FIG.100(K-14) FUEL TANK

REF.NO.	PART NO.	DESCRIPTION	Q'TY		REMARKS
			C	V	
1	89101-85C00	TANK ASSY, fuel	1	1	
2	89320-85C00	PROTECTOR, fuel tank	1	1	
3	09118-10068	BOLT (10x30)	4	4	
4	89260-65AB0	CAP ASSY, FUEL FILLER	1	1	
5	89201-85C00	NECK, fuel filler	1	1	
6	89285-82000	PACKING, fuel filler neck	1	1	
7	09116-05014	BOLT	4	4	
8	89241-85C00	HOSE, fuel tank filler	1	1	
9	89372-85C00	CLAMP	2	2	
10	09354-13204-600	HOSE, tank breather	1	1	L:600→520
11	89371-85C00	CLAMP	2	2	
12	89280-85C00	VLAVE, fuel tank inlet	1	1	
13	89285-85C00	CLAMP	1	1	
14	09354-54115-300	HOSE	2	2	L:300→135
15	89411-60A01	SEPARATOR, fuel and vapor	1	1	
16	02142-05083	SCREW	2	2	
17	09354-54116-600	HOSE	1	1	L:600→125
18	89495-85C00	CLIP	2	2	
19	85451-75100	VLAVE, 2 way check	1	1	
20	89485-60A00	CLAMP, check valve	1	1	
21	02112-05083	SCREW	2	2	
22	09354-54115-300	HOSE	1	1	L:300→100
23	09354-54115-300	HOSE	1	1	L:300→135
24	89496-85C00	CLIP	8	8	
25	89430-61A10	PIPE, evaporation main	1	1	
26	34810-85C00	GAUGE ASSY, fuel level	1	1	
27	34815-85C00	.GASKET	1	1	
28	09136-05045	SCREW	5	5	
29	89311-60A10	PROTECTOR, fuel filler hose	1	1	
30	89316-85C00	SCREW	3	3	
31	89300-60802	CYLINDER SET, fuel lid lock	1	-	

FIG. 101

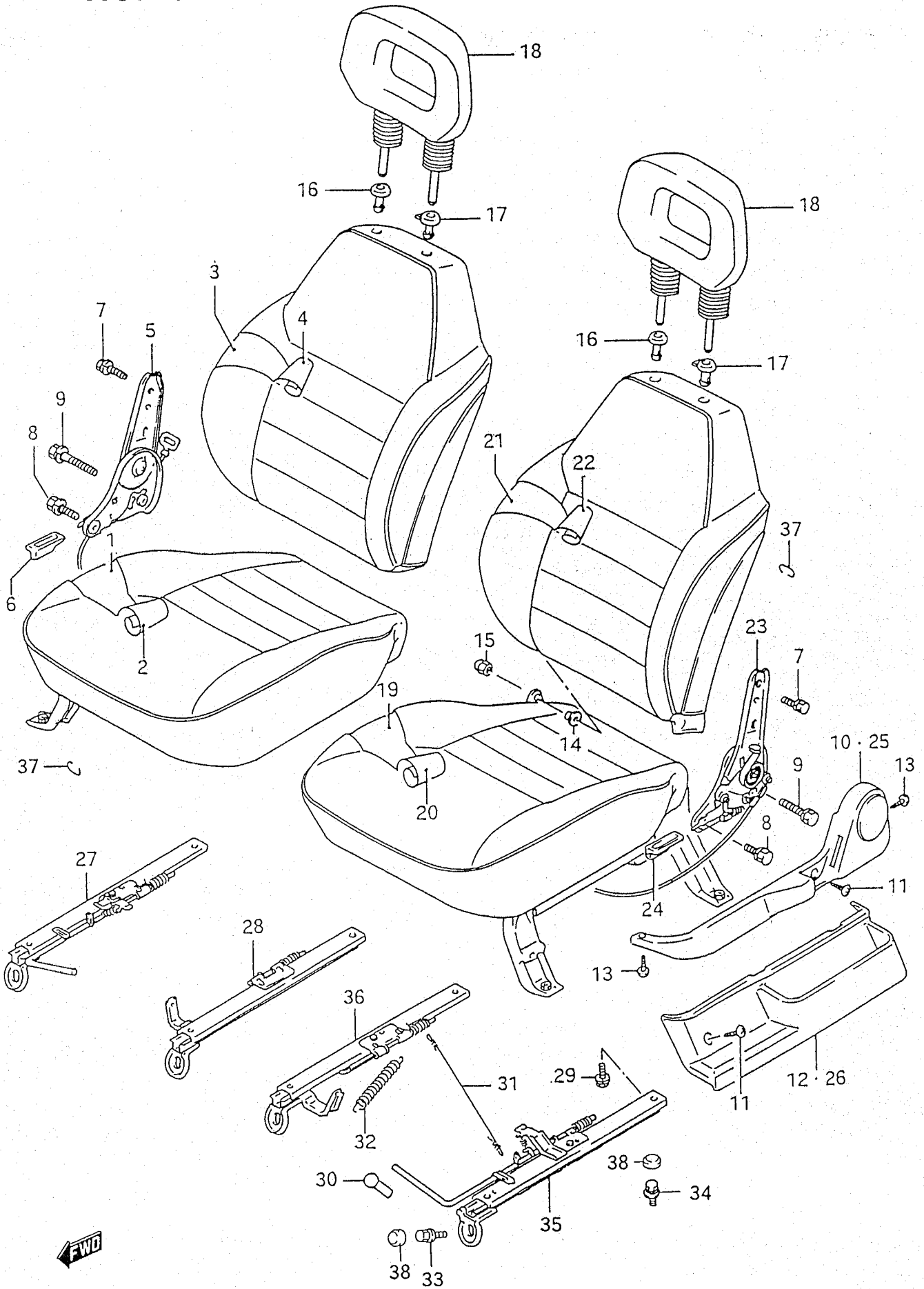


FIG.101(K-15) FRONT SEAT

REF.NO.	PART NO.	DESCRIPTION	Q'TY		REMARKS
			C	V	
1	85105-85C00	CUSHION SUB ASSY, RH	1	1	
2-1	85180-85C00-G76	COVER, cushion RH	1	-	
2-2	85180-85C00-G95	COVER, cushion RH	-	1	
3	85305-85C00	BACK SUB ASSY, RH	1	1	
4-1	85380-85C00-G76	COVER, back RH	1	-	
4-2	85380-85C00-G95	COVER, back RH	-	1	
5	85210-60A10	RECLINING ASSY, RH	1	1	
6	85211-85C00-5ES	KNOB, reclining RH (Black)	1	1	
7	01570-08163	BOLT	4	4	
8	01570-10163	BOLT	2	2	
9	01570-10403	BOLT	2	2	
10	85221-85C00-5ES	COVER, reclining RH (Black)	1	1	
11	03241-05163	SCREW	6	6	
12	85222-85C00-5ES	COVER, seat side RH (Black)	1	1	
13	03241-05163	SCREW	4	4	
14	85291-85C00	BUSH, seat back fixing	2	2	
15	09136-06004	NUT	2	2	
16	85391-85C00	GUIDE, headreststraint RH	2	2	
17	85890-85C00	GUIDE, headreststraint LH	2	2	
18	86401-85C00-5GF	HEADRESTRAINT ASSY (Dark Gray)	2	2	
19	85106-85C00	CUSHION SUB ASSY, LH	1	1	
20-1	85680-85C00-G76	COVER, cushion LH	1	-	
20-2	85680-85C00-G95	COVER, cushion LH	-	1	
21	85306-85C00	BACK SUB ASSY, LH	1	1	
22-1	85380-85C00-G76	COVER, back LH	1	-	
22-2	85380-85C00-G95	COVER, back LH	-	1	
23	85710-60A50	RECLINING ASSY, LH	1	1	
24	85711-85C00-5ES	KNOB, reclining LH (Black)	1	1	
25	85721-85C00-5ES	COVER, reclining LH (Black)	1	1	
26	85722-85C00-5ES	COVER, seat side LH (Black)	1	1	

FIG. 101

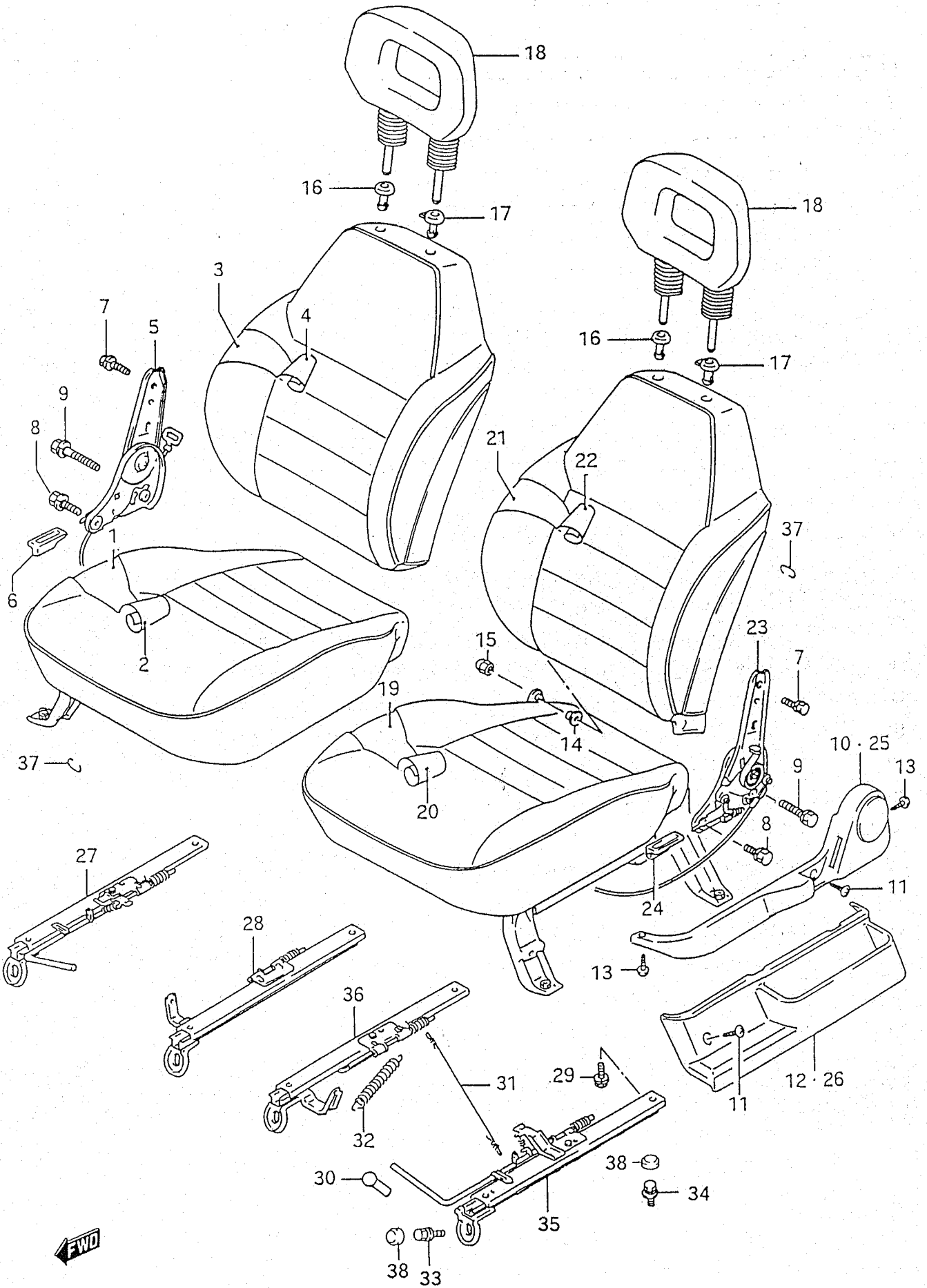


FIG.101(K-15) FRONT SEAT

REF.NO.	PART NO.	DESCRIPTION	Q'TY		REMARKS
			C	V	
1	85105-85C00	CUSHION SUB ASSY, RH	1	1	
2-1	85180-85C00-G76	COVER, cushion RH	1	-	
2-2	85180-85C00-G95	COVER, cushion RH	-	1	
3	85305-85C00	BACK SUB ASSY, RH	1	1	
4-1	85380-85C00-G76	COVER, back RH	1	-	
4-2	85380-85C00-G95	COVER, back RH	-	1	
5	85210-60A10	RECLINING ASSY, RH	1	1	
6	85211-85C00-5ES	KNOB, reclining RH (Black)	1	1	
7	01570-08163	BOLT	4	4	
8	01570-10163	BOLT	2	2	
9	01570-10403	BOLT	2	2	
10	85221-85C00-5ES	COVER, reclining RH (Black)	1	1	
11	03241-05163	SCREW	6	6	
12	85222-85C00-5ES	COVER, seat side RH (Black)	1	1	
13	03241-05163	SCREW	4	4	
14	85291-85C00	BUSH, seat back fixing	2	2	
15	09136-06004	NUT	2	2	
16	85391-85C00	GUIDE, headreststraint RH	2	2	
17	85890-85C00	GUIDE, headreststraint LH	2	2	
18	86401-85C00-5GF	HEADRESTRAINT ASSY (Dark Gray)	2	2	
19	85106-85C00	CUSHION SUB ASSY, LH	1	1	
20-1	85680-85C00-G76	COVER, cushion LH	1	-	
20-2	85680-85C00-G95	COVER, cushion LH	-	1	
21	85306-85C00	BACK SUB ASSY, LH	1	1	
22-1	85380-85C00-G76	COVER, back LH	1	-	
22-2	85380-85C00-G95	COVER, back LH	-	1	
23	85710-60A50	RECLINING ASSY, LH	1	1	
24	85711-85C00-5ES	KNOB, reclining LH (Black)	1	1	
25	85721-85C00-5ES	COVER, reclining LH (Black)	1	1	
26	85722-85C00-5ES	COVER, seat side LH (Black)	1	1	

FIG. 101

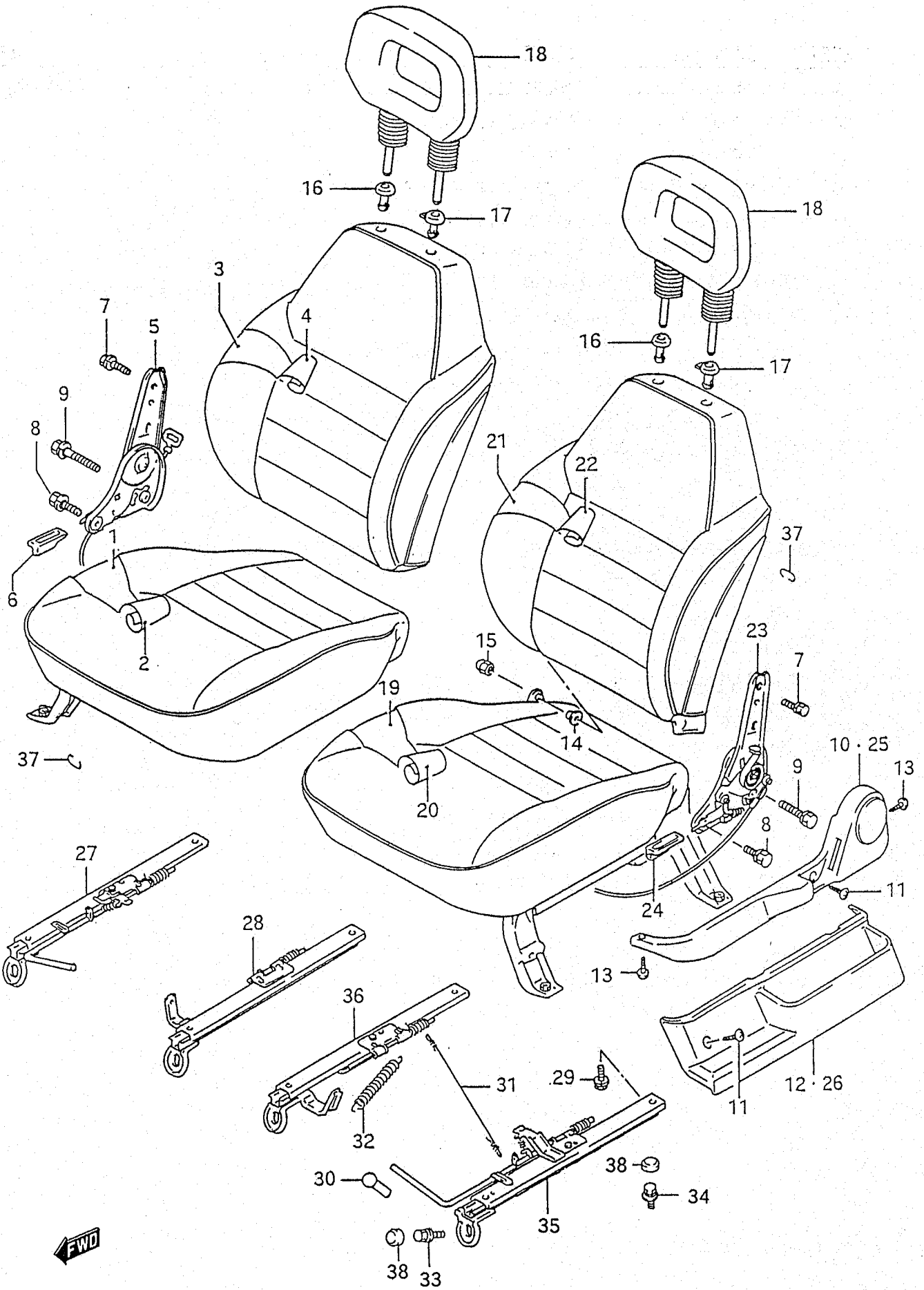


FIG.101(K-16) FRONT SEAT

REF.NO.	PART NO.	DESCRIPTION	Q'TY		REMARKS
			C	V	
27	86610-60A10	ADJUSTER, RH seat outside	1	1	
28	86630-60A10	ADJUSTER, RH seat inside	1	1	
29	86724-60A00	BOLT	8	8	
30	86736-60A00	KNOB, adjuster lever	2	2	
31	86731-60A00	WIRE, adjuster	2	2	
32	86733-61A00	SPRING, adjuster	2	2	
33	09118-08084	BOLT (8x20)	4	4	
34	86726-85C00	BOLT	4	4	
35	86810-60A10	ADJUSTER, LH seat outside	1	1	
36	86830-60A10	ADJUSTER, LH seat inside	1	1	
37	85999-85C00	RING	AR	AR	
38	86615-85C00	COVER, adjuster rear	4	4	

FIG. 102

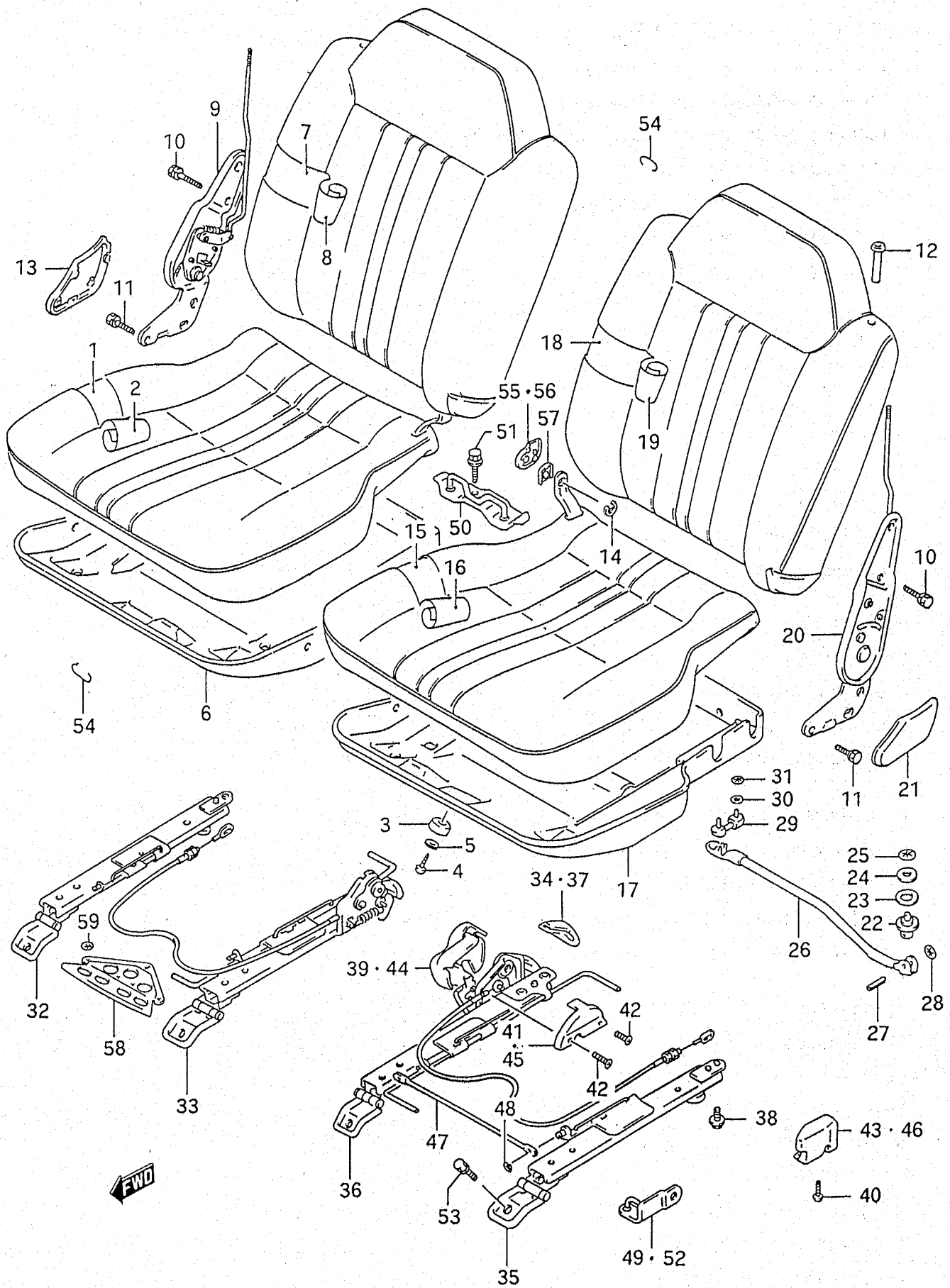


FIG.102(L- 2) REAR SEAT

REF.NO.	PART NO.	DESCRIPTION	Q'TY		REMARKS
			C	V	
1	87105-85C00	CUSHION SUB ASSY, RH	1	1	
2-1	87180-85C00-G76	COVER, cushion RH	1	-	
2-2	87180-85C00-G95	COVER, cushion RH (Black)	-	1	
3	87291-85C00	CUSHION	2	2	
4	03241-05163	SCREW, tapping	2	2	
5	08322-01053	WASHER	2	2	
6	87191-85C00-5PK	BOARD, cushion under RH (Black)	1	1	
7	87305-85C00	BACK SUB ASSY, RH	1	1	
8-1	87380-85C00-G76	COVER, back RH	1	-	
8-2	87380-85C00-G95	COVER, back RH	-	1	
9	87210-60A12-5PK	RECLINING ASSY, RH	1	1	
10	01570-08163	BOLT	4	4	
11	01570-08163	BOLT	4	4	
12	87211-85C00-5PK	KNOB, seat back (Black)	2	2	
13	87221-85C00-5PK	COVER, reclining lower RH (Black)	1	1	
14	08332-11086	E RING	2	2	
15	87106-85C00	CUSHION SUB ASSY, LH	1	1	
16-1	87580-85C00-G76	COVER, cushion LH	1	-	
16-2	87580-85C00-G95	COVER, cushion LH	-	1	
17	87591-85C00-5PK	BOARD, cushion under LH (Black)	1	1	
18	87306-85C00	BACK SUB ASSY, LH	1	1	
19-1	87780-85C00-G76	COVER, back LH	1	-	
19-2	87780-85C00-G95	COVER, back LH	-	1	
20	87610-60A12-5PK	RECLINING ASSY, LH	1	1	
21	87621-85C00-5PK	COVER, reclining lower LH (Black)	1	1	
22	87144-85C00	PIN, stopper rod	2	2	
23	87277-85C00	WASHER	2	2	
24	08322-01083	WASHER	2	2	
25	09148-08002	NUT	2	2	
26	87270-85C00	ROD, seat stopper	2	2	
27	87278-85C00	PIN	2	2	
28	09148-03004	NUT	2	2	
29	87279-85C00	HOLDER, stopper rod	2	2	
30	08322-01063	WASHER	4	4	

FIG. 102

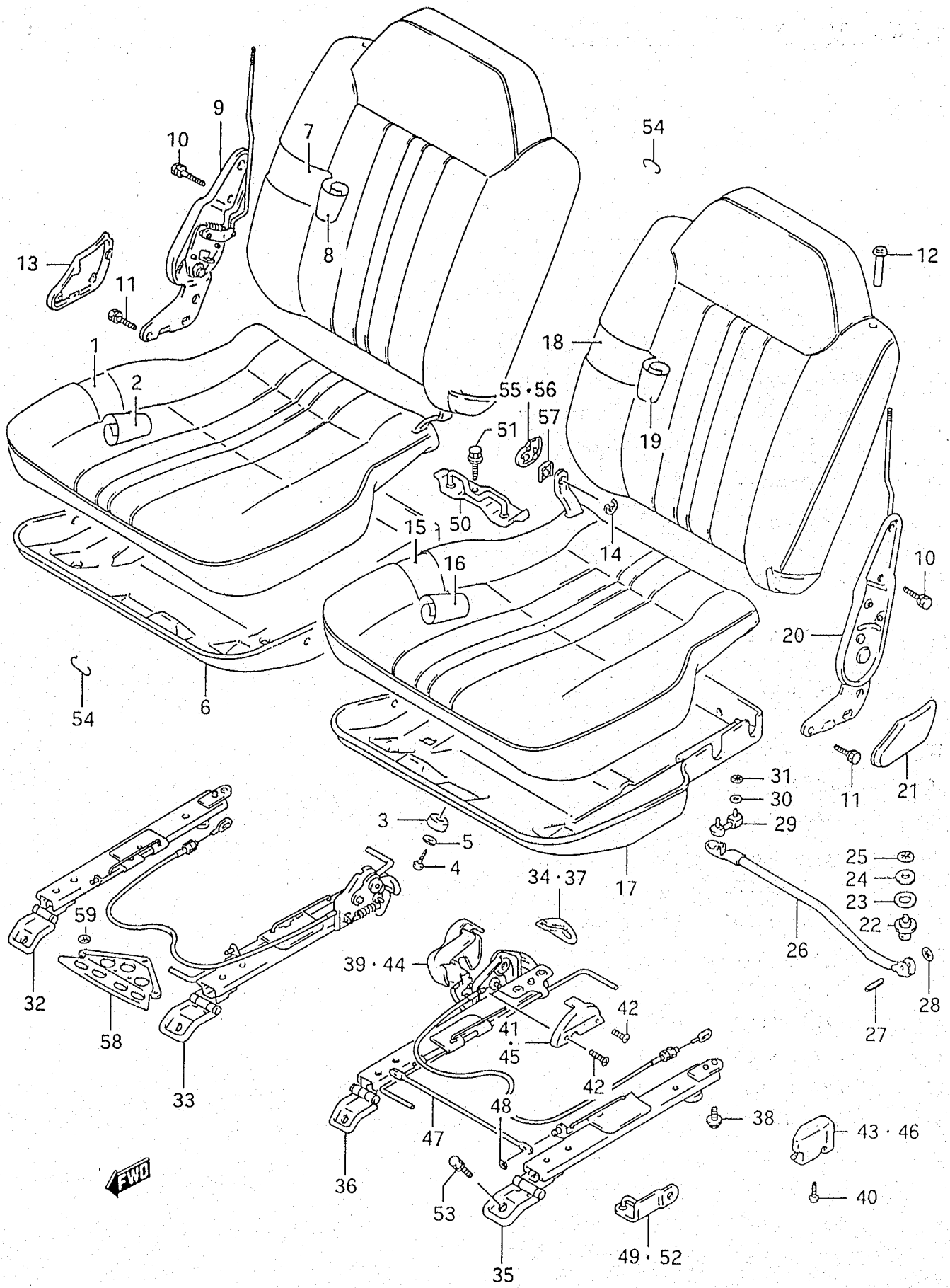


FIG.102(L- 3) REAR SEAT

REF.NO.	PART NO.	DESCRIPTION	Q'TY		REMARKS
			C	V	
31	09148-06005	NUT	4	4	
32	87810-60A00	ADJUSTER, RH seat outside	1	1	
33	87820-60A00	ADJUSTER, RH seat inside	1	1	
34	87836-85C00-5PK	.KNOB, seat lock lever (Black)	1	1	
35	87910-60A00	ADJUSTER, LH seat outside	1	1	
36	87920-60A00	ADJUSTER, LH seat inside	1	1	
37	87936-85C00-5PK	.KNOB, seat lock lever (Black)	1	1	
38	01570-08253	BOLT	8	8	
39	87831-85C00-5PK	COVER, seat lock outer RH (Black)	1	1	
40	03211-05103	SCREW	2	2	
41	87834-85C00-5PK	COVER, seat lock inner RH (Black)	1	1	
42	03241-04123	SCREW	4	4	
43	87835-85C00-5PK	COVER, seat outer lock RH (Black)	1	1	
44	87931-85C00-5PK	COVER, seat lock outer LH (Black)	1	1	
45	87934-85C00-5PK	COVER, seat lock inner LH (Black)	1	1	
46	87935-85C00-5PK	COVER, seat outer lock LH (Black)	1	1	
47	87899-85C00	ROD, seat slide adjuster	2	2	
48	08332-11056	E RING	2	2	
49	87840-60A10	STRIKER, lock outer RH	1	1	
50	87890-60A11	STRIKER, lock	1	1	
51	01550-10203	BOLT	2	2	
52	87940-85C00	STRIKER, lock outer LH	1	1	
53	01550-08163	BOLT	8	8	
54	85999-85C00	RING	AR	AR	
55	87399-85C00	PROTECTOR, back hinge RH	1	1	
56	87799-85C00	PROTECTOR, back hinge LH	1	1	
57	87299-85C00	PROTECTOR, cushion hinge	2	2	
58	87199-85C00	SUPPORT, lock cable front	2	2	
59	09148-06005	NUT	6	6	

FIG. 103

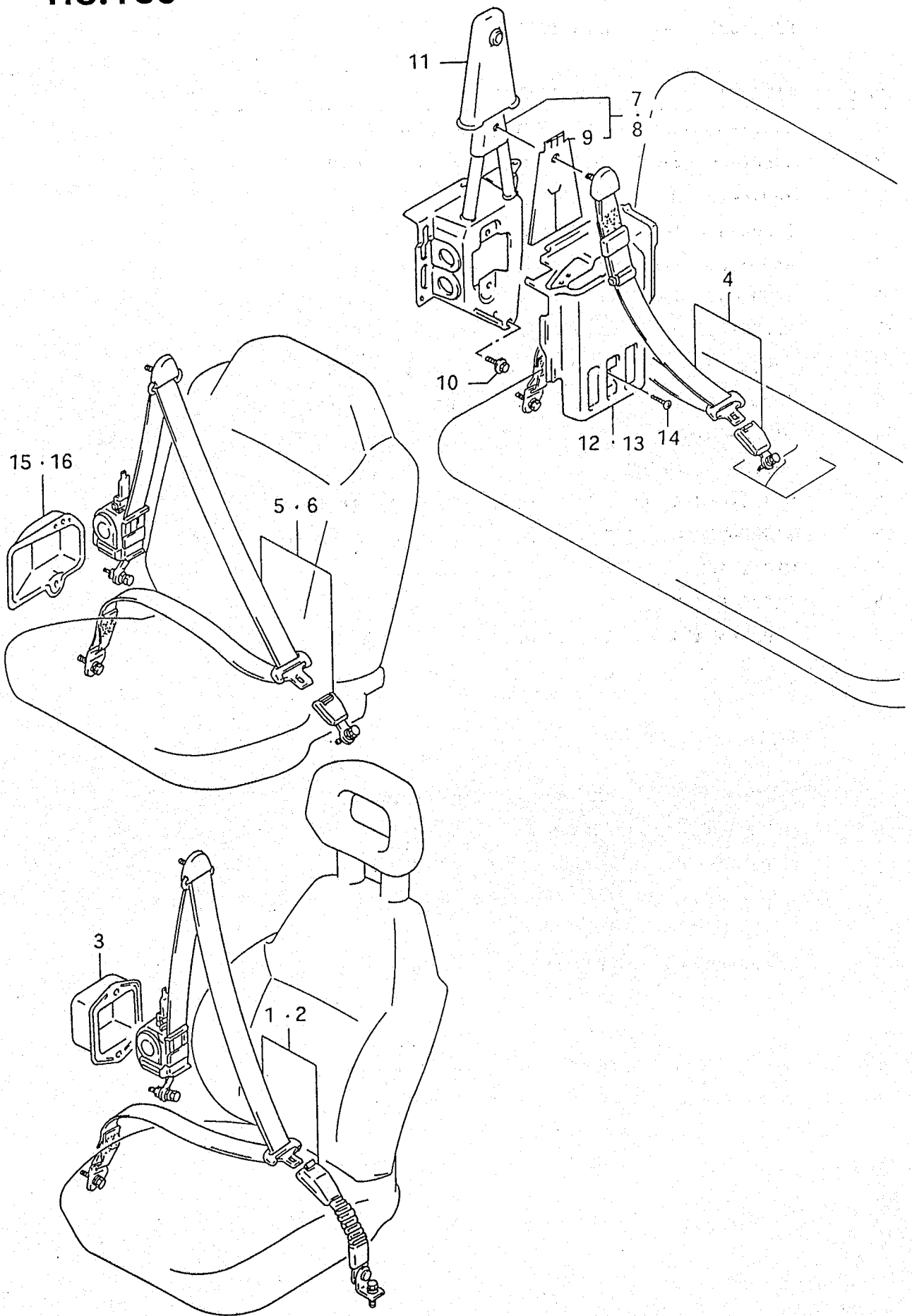


FIG.103(L- 4) SEAT BELT

REF.NO.	PART NO.	DESCRIPTION	Q'TY		REMARKS
			C	V	
1	84901-60A82-5FJ	BLET ASSY, front RH (Black)	1	1	
2	84902-60A82-5FJ	BELT ASSY, front LH (Black)	1	1	
3	84924-63A10	COVER, ELR dust	2	2	
4	84904-60A21-5FJ	BELT ASSY, rear (Black)	2	-	
5	84904-61A21-5FJ	BELT ASSY, rear RH (Black)	-	1	
6	84905-61A21-5FJ	BELT ASSY, rear LH (Black)	-	1	
7	87850-60A50	STAY, rear shoulder anchor RH	1	-	
8	87860-60A50	STAY, rear shoulder anchor LH	1	-	
9	84958-60A10	.PAD, rear shoulder anchor	2	-	
10	01550-08163	BOLT	8	-	
11	84955-85C10-5ES	COVER, shoulder ANC (Black)	2	-	
12	84956-85C10-5ES	TRIM, shoulder ANC RH (Black)	1	-	
13	84966-85C10-5ES	TRIM, shoulder ANC LH (Black)	1	-	
14	03241-16163	SCREW	2	-	
15	84925-61A10	COVER, rear belt ELR dust RH	-	1	
16	84926-61A10	COVER, rear belt ELR dust LH	-	1	

FIG. 104

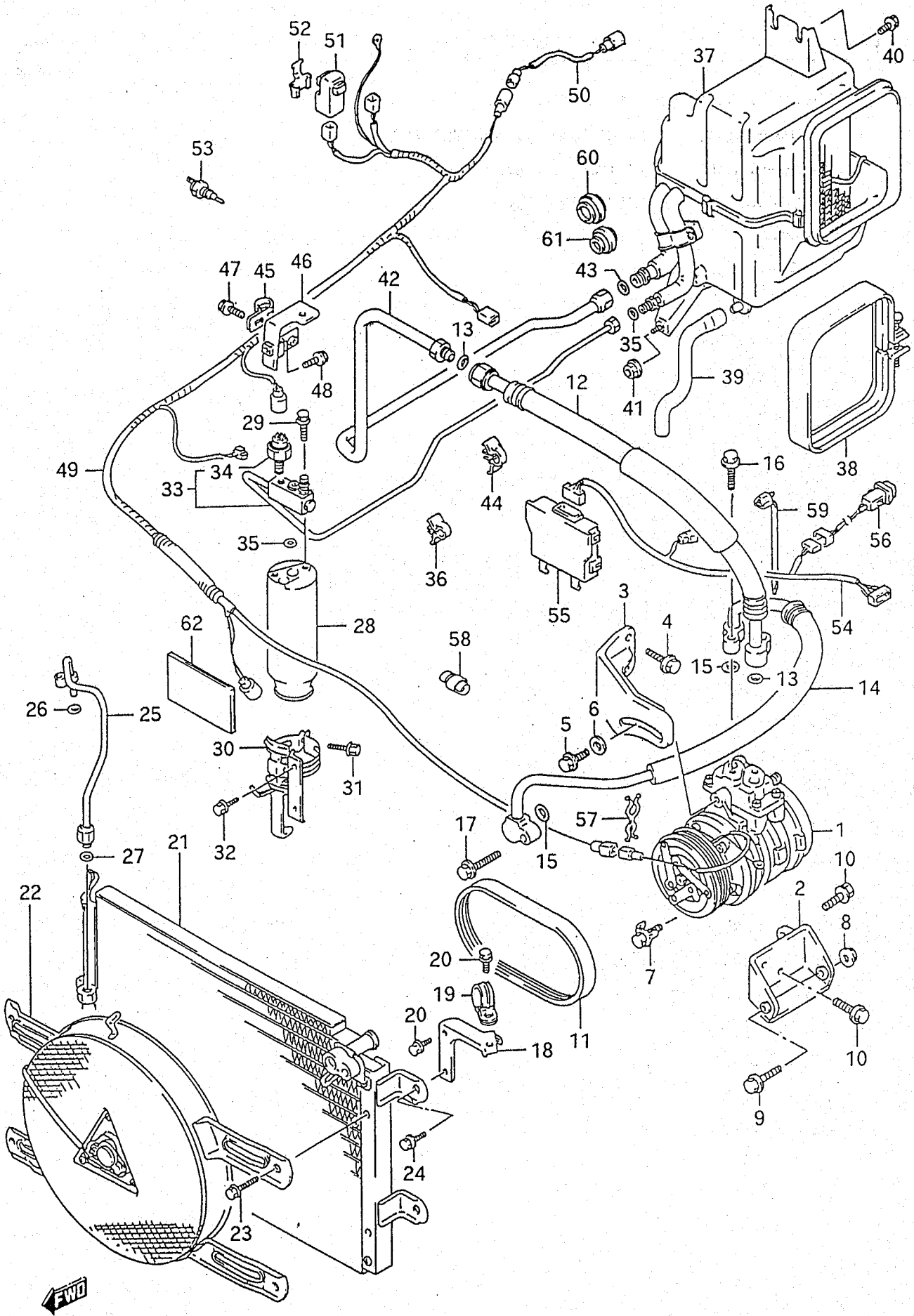


FIG.104(L- 5) AIR CONDITIONER

REF.NO.	PART NO.	DESCRIPTION	Q'TY		REMARKS
			C	V	
	95000-62A72	CAR AIR CON ASSY	1	1	
1	95200-64A51	.COMPRESSOR & MAGNET CLUTCH	1	1	
2	95130-57B50	.BRACKET, compressor	1	1	
3	95120-56B50	.STAY, compressor	1	1	
4	01550-08203	.BOLT	3	3	
5	09103-08247	.BOLT	1	1	
6	95912-83080	.WASHER	1	1	
7	95911-82000	.BOLT, compressor	1	1	
8	08316-10083	.NUT	1	1	
9	01550-08253	.BOLT	1	1	
10	01550-08203	.BOLT	3	3	
11	95141-64A60	.V BELT (4PK935)	1	1	
12	95710-60A50	.HOSE, compressor suction	1	1	
13	09280-14012	..O RING	2	2	
14	95720-60A50	.HOSE, compressor delivery	1	1	
15	09280-11006	..O RING	2	2	
16	01550-08303	.BOLT	2	2	
17	01550-08503	.BOLT	1	1	
18	95772-60A50	.STAY, hose clamp	1	1	
19	95772-70C51	.CLAMP, discharge hose	1	1	
20	01550-06163	.BOLT	2	2	
21	95310-60A51	.CONDENSER	1	1	
22	95320-60A40	.SHROUD, fan	1	1	
23	01570-06353	.BOLT	4	4	
24	01550-06123	.BOLT	4	4	
25	95733-60A50	.PIPE, receiver dryer inlet	1	1	
26	09280-07005	..O RING	1	1	
27	09280-11006	..O RING	1	1	
28	95330-60A50	.RECEIVER DRYER	1	1	
29	01580-06253	.BOLT	2	2	
30	95930-60A50	.BRACKET, receiver dryer	1	1	
31	01550-06203	.BOLT	1	1	
32	01550-06123	.BOLT	1	1	

FIG. 104

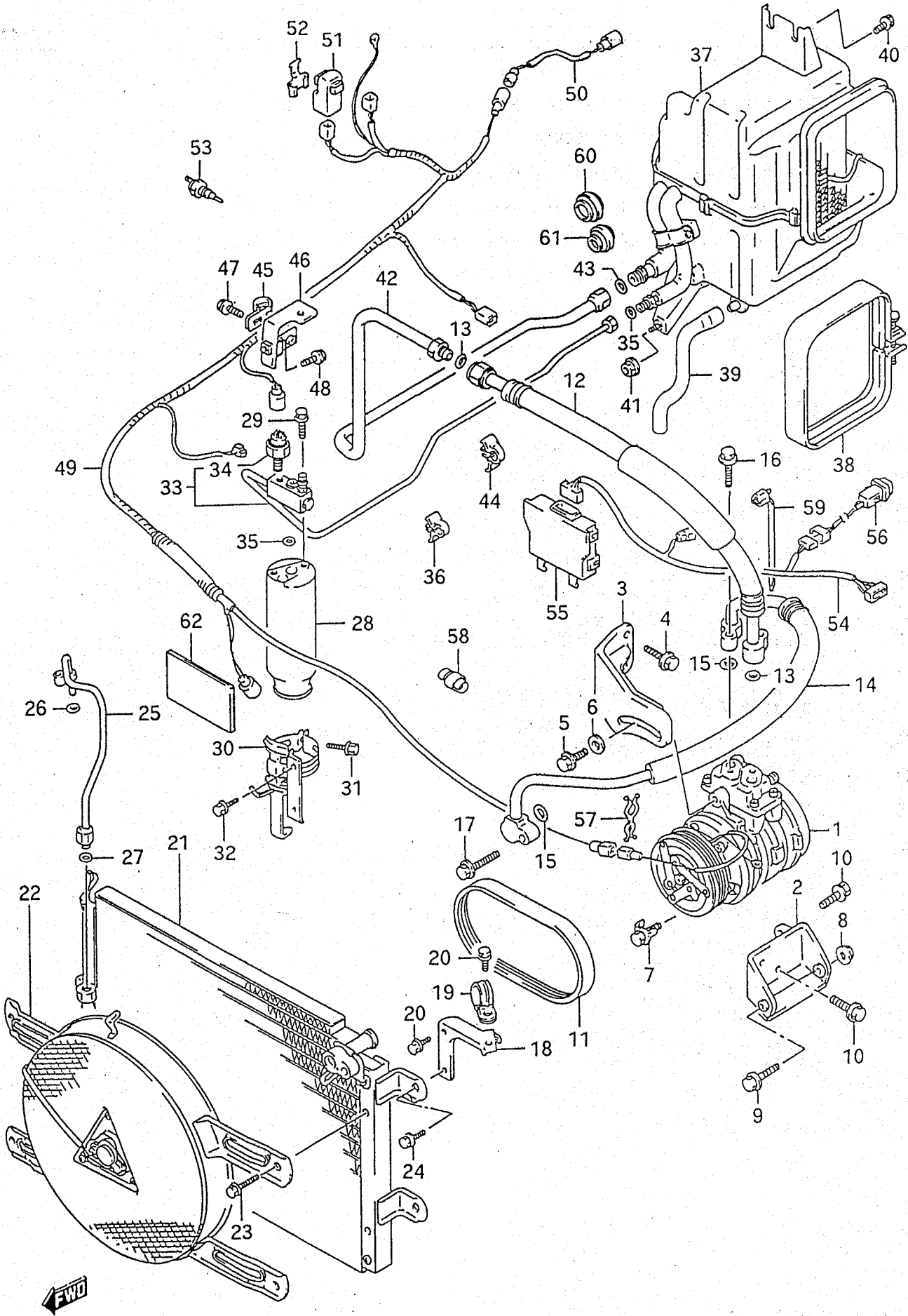


FIG.104(L- 6) AIR CONDITIONER

REF.NO.	PART NO.	DESCRIPTION	Q'TY		REMARKS
			C	V	
33	95732-60A51	.PIPE, liquid	1	1	
34	95526-60A50	..SWITCH, dual pressure	1	1	
35	09280-07005	..O RING	2	2	
36	09408-00149	.CLAMP, pipe liquid	1	1	
37	95400-60A51	.UNIT, evaporator	1	1	
38	95779-60A50	.CLAMP, evaporator	1	1	
39	95491-60A50	.HOSE, drain	1	1	
40	01550-06163	.BOLT	2	2	
41	08316-10083	.NUT	1	1	
42	95731-60A51	.PIPE, suction	1	1	
43	09280-14012	..O RING	1	1	
44	09408-16001	.CLAMP (16)	1	1	
45	95777-60A50	.CLAMP, suction pipe	2	2	
46	95773-60A50	.STAY, suction pipe clamp	1	1	
47	01550-06163	.BOLT	2	2	
48	01550-06123	.BOLT	1	1	
49	95582-60A50	.HARNESS, engine room	1	1	
50	95585-60A50	..FUSIBLE LINK	1	1	
51	95576-73A00	.RELAY	2	2	
52	95981-60A50	.BRACKET, fuse	1	1	
53	95573-60A50	.SWITCH, water temperature	1	1	
54	95581-60A50	.HARNESS, inner	1	1	
55	95575-60A50	.AMPLIFIER	1	1	
56	95571-60A50	.SWITCH, air con	1	1	
57	09408-00123	.CLAMP	1	1	
58	95821-60A50	.INSULATOR, radiator hose	1	1	
59	09407-14403	.CLAMP	1	1	
60	74813-82000	.GROMMET	1	1	
61	74814-82000	.GROMMET	2	2	
62	36930-82000	.PACKING	1	1	

FIG. 105

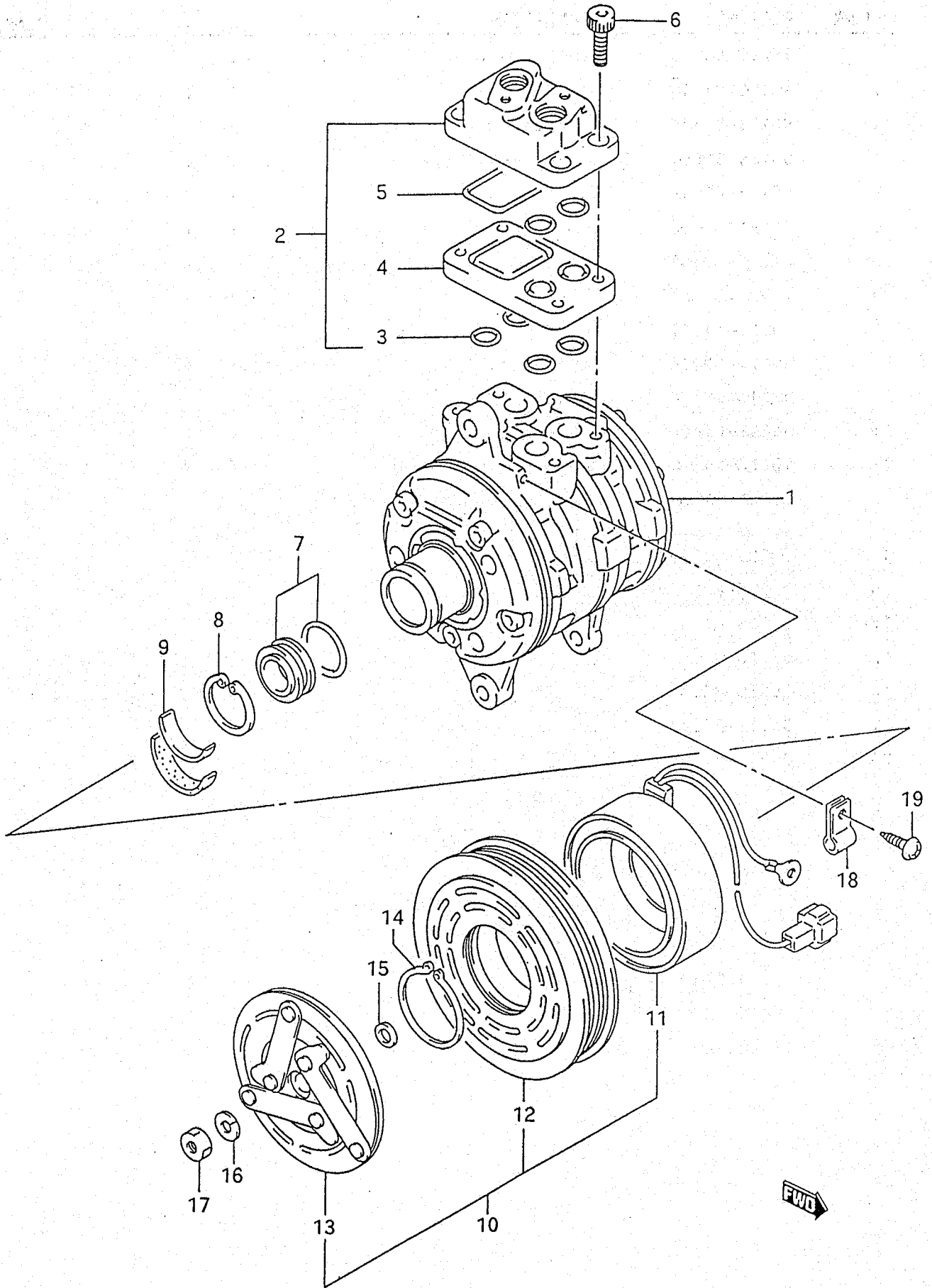


FIG.105(L- 7) COMPRESSOR AND MAGNET CLUTCH

REF.NO.	PART NO.	DESCRIPTION	Q'TY		REMARKS
			C	V	
	95200-64A51	COMPRESSOR & MAGNET CLUTCH	1	1	
1	95230-82117	..COMPRESSOR	1	1	
2	95251-82115	..CONNECTOR, joint service	1	1	
3	95259-82000	...SEAL, diffuser	1	1	
4	95258-82010	...DIFFUSER	1	1	
5	95254-82000	...SEAL	6	6	
6	07130-08253	..BOLT	4	4	
7	95260-82001	..SEAL ASSY, lip	1	1	
8	08331-41303	..CIRCLIP, mechanical seal	1	1	
9	95271-82000	..FELT, oil	1	1	
10	95210-64A50	..CLUTCH ASSY, magnet	1	1	
11	95213-60A50	..COIL, magnet clutch	1	1	
12	95212-64A50	..CLUTCH, compressor drive	1	1	
13	95211-82000	..PLATE, compressor drive clutch	1	1	
14	08331-31383	..CIRCLIP, bearing	1	1	
15	95216-82000	..WASHER, plate	AR	AR	
16	08321-01083	..LOCK WASHER	1	1	
17	08310-00083	..NUT, clutch	1	1	
18	95215-82000	..CLAMP, harness	1	1	
19	03141-05083	..SCREW, clamp	1	1	
20	95299-82005	GASKET KIT, overhaul	1	1	NOT ILLUSTRATED

FIG. 106

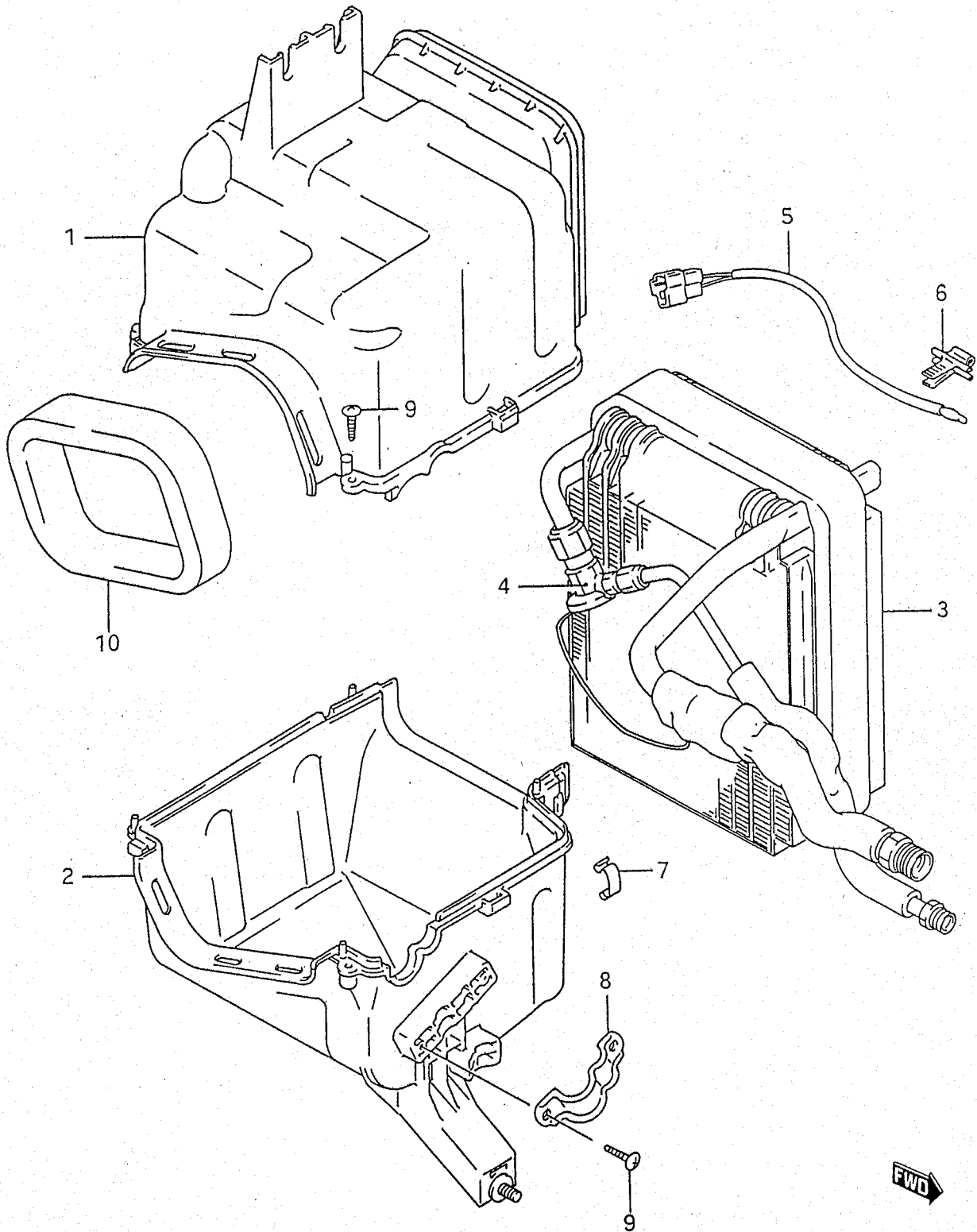


FIG.106(L- 8) EVAPORATOR UNIT

REF.NO.	PART NO.	DESCRIPTION	Q'TY		REMARKS
			C	V	
	95400-60A51	UNIT, evaporator	1	1	
1	95421-60A51	.CASE, evaporator upper	1	1	
2	95422-60A50	.CASE, evaporator lower	1	1	
3	95410-60A50	.CORE, evaporator	1	1	
4	95450-60A50	.VALVE, expansion	1	1	
5	95461-78000	.THERMISTOR	1	1	
6	95452-60F20	.CLAMP, thermistor	1	1	
7	74133-82000	.CLAMP, case	5	5	
8	95471-60A50	.CLAMP, pipe	1	1	
9	03112-04163	.SCREW	3	3	
10	95481-60A50	.PACKING	1	1	

PARTS NUMBER INDEX

10000

11101-85810	1 - 2	11741-60A01	5 - 17	12761-85C00	8 - 4
11110-61A00	2 - 1	11755-60A01	5 - 22	12810-82003	8 - 5
11112-73001	2 - 2	11851-73001	9 - 7	12821-60A01	8 - 6
11115-82000-001	2 - 3		12 - 7	12830-60A00	8 - 7
11119-85C00	2 - 7		23 - 18	12841-60A01	7 - 6
11141-71C00	1 - 3		32 - 19	12848-85C00	7 - 7
	2 - 6	11910-85C00	5 - 25	12849-85C00	7 - 8
11161-60A00	2 - 15	11958-85C00	20 - 2	12860-85C00	7 - 3
11170-61X50	2 - 9	11959-60E00	20 - 4	12870-85C00	7 - 4
11180-82010	2 - 11	11962-85C00	20 - 1	12891-82001	7 - 9
11189-85C00	1 - 4	11965-56B00	11 - 34	12911-85C00	7 - 10
	2 - 10	12100-85810-0A0	6 - 7	12915-85C00	7 - 11
11192-56B00	9 - 19	12100-85810-025	6 - 7	12921-85C00	7 - 12
11194-80C00	9 - 30	12111-85C00-0A0	6 - 1	12931-85C00	7 - 13
11195-85C00	9 - 21	12111-85C00-0B0	6 - 1	12932-82000	7 - 14
11196-85C00	9 - 22	12111-85C00-025	6 - 1	12933-73000	7 - 15
	18 - 17	12111-85C00-050	6 - 1	12934-85C00	7 - 16
11200-60A01	3 - 1	12140-60A50	6 - 2	13110-56B01	9 - 1
11221-60A00	3 - 8	12140-60A50-025	6 - 2	13117-60B00	9 - 5
11229-60A00	1 - 8	12140-60A50-050	6 - 2		12 - 4
	3 - 9	12151-85C00	6 - 3	13119-85C00	1 - 5
11236-86503	3 - 17	12153-85C00	6 - 4		9 - 2
11241-82010	3 - 12	12160-71C00	6 - 5	13374-60B00	10 - 6
11260-60A00	3 - 7	12221-71C00	6 - 8	13400-56B30	9 - 8
11311-60A00	3 - 14	12300-85810	6 - 10		10 - 1
11320-57B00	3 - 15	12300-85810-012	6 - 10	13403-56B00	10 - 25
11341-82000	6 - 22	12300-85820-0AA	6 - 9	13420-56B00	10 - 16
11349-85C00	1 - 11	12300-85820-0BA	6 - 9	13421-85C00	1 - 13
	6 - 23	12300-85820-0CA	6 - 9		9 - 9
11360-82001	8 - 13	12300-85820-0DA	6 - 9	13428-58B00	10 - 17
11383-82000	8 - 15	12300-85820-0EA	6 - 9	13431-61A00	10 - 3
11390-60A11	8 - 14	12340-85C00-0A0	6 - 9	13432-61A00	10 - 5
11394-70B00	8 - 16	12340-85C00-0B0	6 - 9	13439-61A00	10 - 4
	8 - 17	12340-85C00-0C0	6 - 9	13441-56B00	10 - 8
11396-60B00	8 - 18	12340-85C00-0D0	6 - 9	13441-61A00	10 - 14
11402-85860	1 - 1	12340-85C00-0E0	6 - 9	13442-61A00	10 - 18
11510-60A01	4 - 1	12610-71C10	6 - 12	13443-61A00	10 - 21
11610-56B01	5 - 1	12618-71C00	6 - 15	13444-61A00	10 - 22
11620-56B01	5 - 2	12619-85C00	6 - 14	13445-61A00	10 - 20
11641-56B02	5 - 5	12620-85C00	6 - 18	13491-56B00	10 - 23

PART NO.	FIG.NO.-REF.NO.	PART NO.	FIG.NO.-REF.NO.	PART NO.	FIG.NO.-REF.NO.
13492-56B01	9 - 11	14250-57B00	13 - 6	17400-60812	16 - 1
13620-56B01	9 - 23	14270-85C00	12 - 14	17431-85C00	1 - 10
13650-56B00	9 - 13	14281-60B00	13 - 16		16 - 2
13650-61B00	9 - 15	14281-78010	13 - 15	17511-61A00	16 - 6
13687-72B00	10 - 13	14281-85C00	13 - 17	17521-61A00	16 - 7
13700-61A01	11 - 1	14284-57B00	13 - 8	17521-85C00	58 - 15
13760-56B01	11 - 35	14300-85C00	13 - 11	17550-60A00	18 - 4
13765-56B01	11 - 36	14492-85C00	13 - 14	17561-73000	18 - 2
13766-56B00	11 - 37	15100-61A02	14 - 1	17568-50F00	14 - 16
13767-56B00	11 - 38	15111-61A00	14 - 2	17670-85C00	18 - 1
13780-61A00	11 - 2	15160-56B00	10 - 11	17700-85C00	17 - 1
13812-61A00	11 - 4	15167-61A00	10 - 12	17751-85C00	17 - 3
13813-61A00	11 - 5	15410-61A00	14 - 4	17759-85C00	17 - 4
13814-61A00	11 - 33	15710-09300	14 - 22	17761-60A01	17 - 7
13814-85C00	19 - 5	15710-56B00	10 - 2	17812-82000	17 - 6
13815-85C00	19 - 7	15810-61A01	14 - 13	17841-85C00	18 - 9
13817-82000	19 - 6	15820-61A21	14 - 6	17851-85C00	18 - 10
13820-56B00	11 - 30	15830-61A00	14 - 21	17852-85C00	18 - 11
13829-56B01	11 - 31	15840-61A01	14 - 18	17859-85C00	18 - 13
13830-56B00	11 - 13	15861-60A20	14 - 7	17860-60A00	18 - 7
13840-56B00	11 - 14	15870-61A00	14 - 26	17871-85C00	18 - 15
13845-56B00	11 - 16	15880-56B00	14 - 27	17872-85C00	18 - 16
13850-56B00	11 - 17	15892-60A00	14 - 9	17879-85C00	9 - 12
13850-61A02	11 - 27	15893-60A00	14 - 10		18 - 14
13861-61A01	11 - 25	15893-67B00	14 - 8	17911-56B00	33 - 7
13871-56B00	11 - 8	15895-60A00	14 - 11	17920-85C00	17 - 2
13879-81050	11 - 21	15896-60A00	14 - 12	17921-56B00	33 - 10
13880-61A00	11 - 10	15897-85C00	14 - 29	17926-56B00	33 - 13
13891-61A00	11 - 11	15899-85C00	14 - 28	17931-60A10	17 - 9
13923-85551	14 - 14	15910-85C00	9 - 26	17932-60A10	17 - 10
13925-85553	14 - 15	15991-61A02	9 - 27	17933-60B00	17 - 11
	14 - 20	15991-83000	9 - 28	17937-60A11	17 - 17
14111-61A01	12 - 1	16100-85810	15 - 1	17998-82012	20 - 3
14120-85C00	12 - 8	16119-85C00	1 - 9	18111-56B00	19 - 1
14130-85C00	12 - 9		15 - 10	18112-60B00	19 - 4
14140-85C00	1 - 6	16130-60A00	15 - 2	18117-56B00	10 - 7
	12 - 2	16150-60A00	15 - 5	18117-56B10	19 - 45
14181-85C00	13 - 2	16161-60A00	15 - 3	18117-61A00	19 - 10
14182-57B00	13 - 7	16510-85C00	3 - 13	18118-80010	9 - 18
14183-60A10	13 - 12	16520-60A00	4 - 7	18119-85C00	19 - 29
14190-85C00	13 - 1	16910-85C00	4 - 10	18119-85C10	19 - 39
14221-85C00	13 - 3	16920-85C00	2 - 14	18119-85C20	19 - 41
14221-85C10	13 - 13	16930-82001	4 - 11	18119-85C30	5 - 30
14222-85C00	13 - 5	17110-60A00	16 - 11	18119-85C40	19 - 22
14222-85C10	13 - 4	17120-57B00	16 - 8	18119-85C50	11 - 20

PART NO.	FIG.NO.-REF.NO.	PART NO.	FIG.NO.-REF.NO.	PART NO.	FIG.NO.-REF.NO.
18213-57B20	12 - 17	21933-85C10	22 - 12	23264-60A10	21 - 8
18214-56B00	12 - 18	21933-85C20	30 - 34	23265-70C00	21 - 4
18412-56B00	19 - 9	21933-85C30	22 - 5	23266-60A00	21 - 10
18417-61A00	19 - 14		22 - 14	23269-60A00	21 - 9
18471-56B00	19 - 16		22 - 28	23710-60A11	21 - 14
18529-85C00	19 - 2	21933-85C40	30 - 19	23911-56B00	21 - 20
18560-61A00	19 - 33	21933-85C50	30 - 25	23915-60A20	21 - 22
18567-56B00	19 - 38	21933-85C60	22 - 60	23916-60A00	21 - 24
18568-56B00	5 - 29	21933-85C70	30 - 4	23917-60A00	21 - 25
18569-61A10	19 - 40	21933-85C80	22 - 4	24110-85C00	22 - 1
18590-80C20	19 - 18	21933-85C90	22 - 9	24121-60A00	22 - 7
		21935-85C00	25 - 5	24131-60A02	22 - 26
			31 - 22	24135-60A01	22 - 33
		21935-85C10	24 - 31	24137-60A10	22 - 56
		21941-85C00	27 - 32	24138-85C00	22 - 57
		21941-85C10	27 - 21	24139-85C00	22 - 58
			29 - 22	24211-60A01	22 - 16
		21941-85C20	29 - 10	24220-85C00	22 - 19
		21941-85C30	27 - 10	24230-85C00	22 - 21
		21941-85C40	31 - 14	24250-85C00	22 - 23
		21941-85C50	24 - 42	24255-60A00	22 - 25
			31 - 29	24271-85C00	22 - 10
		21941-85C60	27 - 12	24351-60A00	22 - 35
		21943-85C00	29 - 12	24400-60A00	22 - 37
		21945-85C00	24 - 43	24410-60A00	22 - 38
			31 - 30	24420-60A00	22 - 39
		21945-85C10	29 - 24	24431-83001	22 - 40
		21945-85C20	22 - 55	24432-60A00	22 - 41
		21945-85C30	24 - 11	24471-60A00	22 - 44
		21947-85C10	24 - 19	24473-70D10	22 - 45
		21947-85C30	22 - 36	24551-60A00	22 - 52
		21947-85C40	23 - 14	24561-60A00	22 - 50
			32 - 12	24565-60B00	22 - 54
		21947-85C50	23 - 15	24671-60A00	22 - 40
			28 - 4	24681-60A00	22 - 46
			32 - 13	24700-60A01	23 - 1
			51 - 4	24741-60A01	23 - 12
		21947-85C60	24 - 40	24791-56B00	23 - 28
		21947-85C70	28 - 2	24792-56B00	23 - 25
			51 - 3	24801-60820	22 - 47
		21947-85C80	32 - 14	24801-85810	22 - 24
		22100-57B02	21 - 1	24831-60A00	24 - 26
		22400-57B01	21 - 3	25120-60A00	24 - 14
		23260-60A00	21 - 5	25129-60A00	24 - 17
		23264-60A00	21 - 7	25211-60A01	24 - 1

20000

PART NO.	FIG.NO.-REF.NO.	PART NO.	FIG.NO.-REF.NO.	PART NO.	FIG.NO.-REF.NO.
25221-60A10	24 - 2			29415-85C00	31 - 16
25271-60A01	24 - 30	27462-63202	27 - 25	29421-60A01	30 - 35
25281-60A02	24 - 41		29 - 27	29431-60A00	30 - 37
25341-80701	24 - 37	27471-60A02	27 - 27	29511-60A01	32 - 1
25410-60A00	24 - 3	27550-60A00	28 - 12	29521-60A01	32 - 2
25415-85C00	24 - 10	27561-85C00	28 - 20	29528-60A00	32 - 8
25420-60A10	24 - 4	27611-60A02	28 - 1	29531-60A02	32 - 3
25450-60A00	24 - 5	27620-85400	28 - 6	29535-60A00	31 - 21
25521-60A11	24 - 27	27661-60A01	28 - 9	29536-60A00	32 - 10
25531-60A01	24 - 32	27665-60A00	28 - 10	29750-60A00	31 - 27
25541-60A03	24 - 28	27670-60A00	28 - 14		
25551-85C00	24 - 29	27675-60A01	28 - 15		
27101-85C00	26 - 1	27965-85400	19 - 17		
27102-85C00	26 - 6	28101-60A02	25 - 1		
27110-56B01	27 - 1	28113-85C00	25 - 2		
				30000	
	29 - 1	28117-60A00	24 - 20	31100-85C00	33 - 1
27131-85C00	26 - 2	28136-60A10	25 - 3		34 - 1
	26 - 7	28137-60A01	25 - 6	31110-85C00	34 - 2
27140-85C00	26 - 3	28138-60A01	25 - 4	31131-85C00	34 - 3
	26 - 8	28381-60A60	20 - 5	31136-85C00	34 - 11
27200-85C00	26 - 4	29110-85C00	30 - 1	31136-85C10	34 - 16
	26 - 9	29121-85C00	30 - 7	31152-85C00	34 - 12
27225-85C00	26 - 5	29131-60A02	30 - 8	31152-85C10	34 - 13
	26 - 10	29133-85C00	30 - 43	31171-85C00	35 - 2
27300-86810	27 - 2	29136-60A01	30 - 14	31172-85C00	34 - 4
27300-86820	29 - 2	29141-60A00	30 - 16	31191-85C00	34 - 10
27315-60A01	27 - 3	29151-60A00	30 - 31	31220-85C00	34 - 7
	29 - 3	29211-85C00	30 - 22	31261-85C00	34 - 5
27331-60A10	27 - 14	29221-60A00	30 - 27	31311-85C00	34 - 15
	29 - 13	29222-60A00	30 - 29	31320-85C00	34 - 14
27341-60A01	27 - 15	29225-60A01	30 - 30	31361-85C00	34 - 6
27341-60A10	29 - 14	29230-60A00	30 - 24	31400-85C00	33 - 4
27351-64B20	27 - 17	29230-60A10	30 - 26		35 - 1
	29 - 16	29300-60A13	31 - 18	31410-85C00	35 - 11
27355-60A01	29 - 17	29311-60A01	31 - 1	31514-85C00	35 - 21
27356-86081	29 - 19	29321-60A10	31 - 2	31582-85C00	35 - 6
27375-60A00	27 - 8	29331-60A00	31 - 3	31583-85C00	35 - 10
	29 - 8	29332-60A00	31 - 4	31585-85C00	35 - 7
27411-60A02	27 - 19	29334-60A10	31 - 10	31586-85C00	35 - 12
27411-60A21	29 - 20	29339-60A00	31 - 5	31586-85C10	35 - 16
27421-60A02	27 - 20	29344-85C00	31 - 19	31586-85C20	35 - 19
27421-60A12	29 - 21	29346-60A20	31 - 23	31612-85C00	35 - 9
27450-85C00	27 - 9	29347-56B00	31 - 24	31616-85C00	35 - 14
27450-85C50	29 - 9	29349-60A10	31 - 25	31621-85C00	35 - 13
27461-83000	27 - 24	29411-60A01	30 - 33	31641-85C00	35 - 15

PART NO.	FIG.NO.-REF.NO.	PART NO.	FIG.NO.-REF.NO.	PART NO.	FIG.NO.-REF.NO.
31651-85C00	35 - 4	34172-50E10	38 - 10	36640-57B30	42 - 35
31651-85C10	35 - 5	34175-78900	38 - 12	36650-73E00	42 - 39
31710-85C00	35 - 8	34220-66A00	38 - 3	36660-61A00	42 - 47
31761-85C00	35 - 3	34320-60A10	38 - 4	36667-60A00	42 - 50
31775-85C00	35 - 20	34420-60A10	38 - 5	36717-60A11	42 - 5
31791-85C00	35 - 18	34600-60A00	43 - 39	36730-60A20	42 - 11
31850-80C10	43 - 5	34810-85C00	100 - 26	36733-56B10	42 - 73
32500-85C00	35 - 17	34815-85C00	100 - 27	36734-56B00	42 - 76
33100-56B11	33 - 17	34850-50A00	9 - 17	36735-60A00	42 - 9
	36 - 1	34910-60A41	38 - 16	36737-60A00	42 - 15
33110-56B11	36 - 6	34926-60A00	38 - 19	36753-60A00	42 - 69
33278-85060	36 - 7	34950-60A10	38 - 8	36756-70E00	42 - 62
33310-60C30	36 - 5	35100-60A71	39 - 1	36756-70E20	42 - 63
33321-56B10	36 - 2	35129-85C10	41 - 15	36757-60A00	42 - 64
33324-60C30	36 - 3	35179-82060	39 - 4	36757-60A20	42 - 65
33326-50F50	36 - 4	35180-70A00	43 - 40	36774-60A00	42 - 70
33370-54A50	33 - 21	35186-70A01	43 - 41	36795-82000	42 - 6
33410-56B10	33 - 19	35300-60A71	39 - 2	36820-60A00	42 - 54
33435-54A50	33 - 22	35650-85C00	41 - 1	36820-60A30	42 - 54
33551-60A10	43 - 46	35655-85C00	41 - 5	36820-61A10	40 - 12
33552-86000	42 - 7	35670-85C00	41 - 2	36823-60A00	42 - 56
33610-85C00	37 - 1	35910-85C00	41 - 8	36845-62A10	42 - 49
33610-85C10	37 - 1	36118-60A20	39 - 7	36890-82000	42 - 59
33660-73010	37 - 2	36210-85C00-5EH	40 - 1	36930-82000	104 - 62
33700-85C00	33 - 23	36212-85C00	40 - 2	36930-85C00	42 - 33
33710-85C00	33 - 24	36230-60A10	40 - 5		42 - 55
33730-85C00	33 - 25	36230-60A20	40 - 5		42 - 57
33740-85C00	33 - 26	36232-60A10	40 - 7		42 - 60
33750-85C00	33 - 27	36235-60A10	40 - 6		46 - 24
33760-85C00	33 - 28	36242-60A10	40 - 8	36930-86000	40 - 13
33795-56B12	43 - 6	36410-85C00	39 - 9	36955-60A00	42 - 27
33800-85C00	37 - 3	36412-85C00	39 - 11	36990-56B00	42 - 17
33850-85C00	37 - 4	36430-85C00	39 - 10	36990-85C00	38 - 18
33881-82011	19 - 50	36550-85C00	43 - 21		42 - 25
33882-60A10	33 - 31	36551-85C00	43 - 22		42 - 25
33883-83020	33 - 29	36570-85C10	41 - 11		42 - 38
33884-86510	33 - 30	36571-85C10	41 - 20		51 - 10
33920-56B70	43 - 1	36572-85C10	41 - 13	36990-85C10	37 - 9
33925-60A21	43 - 3	36578-85C00	41 - 17		42 - 28
34100-74E00	38 - 1	36578-85C10	39 - 14	36990-85C20	42 - 30
34113-60A10	38 - 6	36590-85C10	41 - 12		42 - 40
34120-76E00	38 - 2	36591-85C10	41 - 21		42 - 40
34145-80200	38 - 7	36610-71E20	42 - 1	36990-85C30	42 - 43
34152-66A00	38 - 9	36620-64A70	42 - 29		42 - 43
34154-80360	38 - 14	36630-64A40	42 - 32		42 - 48

PART NO.	FIG.NO.-REF.NO.	PART NO.	FIG.NO.-REF.NO.	PART NO.	FIG.NO.-REF.NO.
36995-60A10	42 - 58			41850-85C00	47 - 14
36996-70E00	42 - 18			42110-85C00	47 - 16
37100-60822-5ES	44 - 1	38496-61A00	46 - 17		52 - 18
37100-60880	44 - 2	38496-85C00	45 - 18	42311-85C00	48 - 1
37103-60830-5ES	44 - 1		46 - 23	42411-85C00	48 - 7
37145-60A00	44 - 10	38500-85C00	43 - 30	42412-60A00	48 - 6
37152-84100	44 - 3	38500-85C10	43 - 29	42420-85C00	48 - 2
37280-86000	43 - 10	38590-60B20	43 - 42	42421-85C00	48 - 5
37370-86000	43 - 8	38610-85C00	43 - 34	43110-85C00	54 - 6
37400-61A21	43 - 11	38663-56B01	43 - 26	43130-85C00	54 - 7
37610-83001	23 - 16	38665-60A00	43 - 32	43210-85C00-39M	54 - 1
37670-60B11	43 - 15	38700-85C00	43 - 25	43215-85C00	52 - 4
37680-60A01	32 - 15	38811-61A00	46 - 1	43231-85C00	54 - 3
37680-60A10	32 - 17	38813-61A00	46 - 3	43232-85C00	54 - 3
37740-60D01	43 - 13	38814-61A00	46 - 4	43233-85C00	54 - 3
37820-85C00	3 - 18	38821-61A00	46 - 9	43234-85C00	54 - 3
37860-60A00	43 - 17	38822-61A00	46 - 11	43235-85C00	54 - 3
37870-60A01	43 - 19	38833-85C00	45 - 16	43236-85C00	54 - 3
37940-60A10	64 - 2	38835-85C00	46 - 19	43239-85C00	54 - 3
37950-60A00	43 - 28	38838-85C00	46 - 20	43241-85C00	54 - 3
37990-60A00	43 - 23	38839-85C00	46 - 21	43252-60A10	54 - 5
37995-60A00	43 - 24	38842-61A00	46 - 14	43252-85C00	54 - 4
38101-60A40	45 - 1	38843-61A01	46 - 15	43421-60A00	50 - 1
38102-60A10	45 - 3	39251-60A00	43 - 45	43440-85C00	50 - 18
38271-61A00	46 - 6	39262-60A00	43 - 44	43445-85C00	50 - 19
38272-61A00	46 - 5	39312-60A01	42 - 72	43461-60A01	50 - 12
38274-61A00	46 - 8	39400-85C00	43 - 35	43465-60A00	50 - 13
38278-61A00	46 - 7	39471-60A00	43 - 37	43466-60A00	50 - 10
38310-60A00	45 - 5	39472-82000	43 - 38	43485-73000	53 - 10
38315-61A00	46 - 13			43486-85C00	50 - 15
38319-75000	45 - 9			43511-60A00	53 - 1
38340-60A00	45 - 7			43588-73000	53 - 12
38346-61A00	46 - 12			43810-60A10	50 - 3
38346-84040	45 - 8			43811-85C00	50 - 7
38410-85C00	45 - 13			43814-60A10	50 - 4
38450-85C00	45 - 10	41111-85C00	47 - 15	43815-83000	50 - 5
38450-85C10	45 - 10	41211-60A00	47 - 17	43838-83000	50 - 6
38452-85C00	45 - 11		52 - 19	44101-60A10	49 - 1
38453-85C00	45 - 12	41311-85C00	52 - 17	44102-60A10	49 - 2
38480-60A01	45 - 21	41601-85C00	47 - 3	44111-60A00	49 - 11
38491-61A00	46 - 16	41602-85C00	47 - 4	44118-71C10	49 - 5
38491-85C00	45 - 15	41700-85C00	52 - 20	44119-71C10	49 - 10
	45 - 17	41810-60A01	47 - 11	44121-60A00	49 - 6
	45 - 19	41841-85C00	47 - 10	44123-60A00	49 - 13
	45 - 20	41842-85C00	47 - 13	44124-60A00	49 - 7

40000

PART NO.	FIG.NO.-REF.NO.	PART NO.	FIG.NO.-REF.NO.	PART NO.	FIG.NO.-REF.NO.
44124-60A00	49 - 12	48411-85C00-5ES	56 - 8	49751-79001	59 - 14
44131-60A01	49 - 3	48419-60A00	56 - 10		59 - 21
44132-60A00	49 - 4	48421-85C00-5ES	56 - 9	49810-58B21	59 - 20
44135-60A01	49 - 8	48491-60A00	56 - 2	49820-60A00	59 - 24
44136-60A00	49 - 9	48600-56B70	57 - 1	49830-57B00	59 - 23
44141-85C00	50 - 8	48671-60A70	57 - 2		
44182-60A01	50 - 9	48674-63240	57 - 4		
44211-85C00	53 - 3	48691-56B70	57 - 5		
44222-85C00	53 - 4	48721-60A00	57 - 10		
44231-85C00	53 - 2	48750-60A00	57 - 12		
				50000	
	53 - 5	48760-60A01	57 - 16	51020-56B40	60 - 8
45111-60A00	47 - 1	48771-60A00	57 - 11	51100-56B10	60 - 1
45151-60A00	47 - 2	48775-60A00	57 - 8	51100-70841	60 - 2
45201-56B00	47 - 18	48810-85C00	57 - 23	51132-82003	60 - 10
45202-56B00	47 - 19	48814-80000	57 - 19	51200-60A30	60 - 3
45253-85C00	47 - 21	48814-85C00	57 - 24	51220-60A20	60 - 5
45254-85C00	47 - 25		57 - 30	51234-60A20	60 - 4
45700-85C00	47 - 28	48815-85C00	57 - 25	51300-60A60	60 - 6
45714-85C00	47 - 29		57 - 31	51313-60B00	60 - 7
45715-85C00	47 - 30	48820-85C00	57 - 29	51340-60A00	61 - 18
46200-56B00	52 - 1	48836-85C00	57 - 27	51350-60A00	61 - 32
46206-60A00	52 - 2	48850-85C00	57 - 18	51380-60A11	60 - 16
46310-85C00	52 - 11	49100-56B00	58 - 1	51410-56B10	61 - 1
46314-85C00	52 - 14	49111-60A00	58 - 2	51420-60A00	61 - 8
46320-85C00	52 - 12	49112-56B00	58 - 3	51430-60A60	61 - 12
46411-60A00	52 - 7	49113-86000	58 - 4	51435-60A00	61 - 13
46500-85C10	51 - 1	49114-56B00	58 - 5	51460-60A00	61 - 19
46517-85C00	51 - 2	49115-60A00	58 - 6	51465-60A00	61 - 20
46520-60A00	51 - 5	49120-56B11	58 - 7	51470-60A10	61 - 34
46543-85C00	24 - 21	49140-56B00	58 - 12	51480-60A11	61 - 35
	28 - 5	49141-60A00	58 - 13	51520-56B10	61 - 2
	51 - 13	49210-56B70	58 - 17	51540-85C00	61 - 11
46581-85C00	51 - 8	49211-60A70	58 - 16	51550-85C00	61 - 14
46582-85C00	51 - 6	49214-56B00	58 - 18	51560-83031	61 - 33
46583-85C00	51 - 9	49251-85C00	58 - 21	51570-85C00	61 - 7
48110-85C40-5ES	55 - 1	49252-85C00	58 - 22	51591-85C00	61 - 16
48120-85C40	55 - 2	49253-85C00	58 - 24	51592-85C00	61 - 17
48130-85C10-5ES	55 - 5	49410-60A01	59 - 1	51593-85C00	61 - 15
48131-85C10	55 - 6	49416-60A00	59 - 9	51640-60A30	61 - 5
48140-85C40-5ES	55 - 3	49451-80100	59 - 2	51781-85C00	61 - 9
48153-85C40	55 - 4	49481-85C00	59 - 6	51781-85C10	61 - 37
48200-60A90	56 - 1	49511-60A00	59 - 7	51791-85C00	61 - 38
48219-85C00	56 - 7	49610-57B00	59 - 13	51811-85C00	60 - 12
48220-57B62	56 - 5	49617-56B00	59 - 18	51831-60A01	60 - 9
48239-85C00	56 - 6	49710-59B20	59 - 34	51911-85C00	60 - 13

PART NO.	FIG.NO.-REF.NO.	PART NO.	FIG.NO.-REF.NO.	PART NO.	FIG.NO.-REF.NO.
51911-85C00	60 - 14	55221-56B10	62 - 13	58760-60A01	68 - 10
51930-60A20	61 - 21	55222-56B10	62 - 14	58771-60A00	68 - 17
51931-60A20	61 - 24	55234-60A00	62 - 11	58800-60A21	67 - 3
51932-60A20	61 - 23	55391-85C00	62 - 15	58900-57B01	68 - 2
51933-60A20	61 - 22	55473-82030	61 - 25	58912-60A10	68 - 4
51955-60A20	61 - 28		62 - 3	58930-56B01	68 - 6
52474-60010	61 - 26		63 - 16	58941-60A00	68 - 8
	63 - 17	57000-85C00	65 - 1	58955-60A00	68 - 12
53110-60A70	63 - 1	57110-60A01	65 - 2	58970-60A11	68 - 18
53120-60A70	63 - 2	57160-85C00	65 - 3	59110-60A00	68 - 20
53141-84010	63 - 4	57211-60A00	65 - 8	59211-60A00	68 - 22
53210-60A30	63 - 5	57220-60A00	65 - 26	59310-85C00	68 - 21
53232-85120	63 - 6	57260-60A00	65 - 27	59411-60A01	68 - 23
53241-82030	63 - 7	57310-60A01	65 - 13	59412-60A00	68 - 24
53243-85010	63 - 8	57320-60A01	65 - 14	59421-60A01	68 - 25
53244-82031	63 - 9	57370-60A00	65 - 21	59422-60A00	68 - 26
53245-82031	63 - 10	57380-60A00	65 - 22	59811-85C00-5EH	85 - 3
53331-60A70	63 - 11	57481-60A00	65 - 23	59911-85C00	67 - 7
53400-60820	63 - 14	57482-60A00	65 - 24	59915-85C00	74 - 8
53401-56B00	63 - 12	57511-60A00	65 - 4	59916-85C00	42 - 75
53402-56B00	63 - 13	57521-60A00	65 - 5		77 - 4
53417-82030	63 - 18	57551-60A10	65 - 9		77 - 24
53441-56B00	63 - 15	57561-60A00	65 - 11		77 - 25
53712-83300	63 - 26	57620-60A00	65 - 6		77 - 44
53714-85010	63 - 19	57630-60A00	65 - 7	59917-85C00	77 - 23
53720-60A70	63 - 24	57710-60A00	65 - 10	59918-85C00	90 - 16
53730-60A70	63 - 25	57720-60A00	65 - 12		91 - 23
53810-60A70	63 - 20	57730-60A02	65 - 15	59919-85C00	65 - 36
53820-60A00	63 - 28	57740-60A02	65 - 16	59931-85C00	65 - 49
53820-60A70	63 - 21	57810-56B00	65 - 17	59932-85C00	67 - 10
54100-60A10	64 - 1	57820-56B00	65 - 18	59933-85C00	87 - 7
54410-60A60	64 - 5	57831-56B00	65 - 19	59934-85C00-5ES	83 - 19
54420-60A60	64 - 6	57841-56B00	65 - 20		84 - 23
54524-19B00	63 - 22	57941-60A00	65 - 25		84 - 24
54824-19B00	63 - 23	58110-85C00	67 - 11	59935-85C00	84 - 25
55100-60810	62 - 5	58190-60A01	67 - 13	59936-85C00-5PK	65 - 38
55100-60820	62 - 6	58300-60A21	66 - 1	59939-85C00	83 - 26
55101-60A02	62 - 1	58410-60A10	66 - 2	59941-85C00	74 - 13
55102-60A02	62 - 2	58600-60A21	67 - 1	59951-85C00	76 - 3
55156-66310	62 - 4	58700-85C00	68 - 1	59961-85C00	88 - 6
55191-60A00	62 - 8	58712-60A10	68 - 3	59981-85C00	67 - 9
55200-61870	62 - 10	58717-60A00	68 - 9	59991-85C00	87 - 4
55201-60A00	62 - 9	58730-85C00	68 - 5		
55206-60A00	62 - 7	58740-60A00	68 - 7		
55211-60A00	62 - 12	58755-60A00	68 - 11		

60000

61100-85C00	68 - 19
61400-60841	69 - 1
61440-60A00	69 - 4
61450-60A10	69 - 2
61461-60A00	69 - 5
61480-62A10	70 - 15
61490-60A00	70 - 17
61492-80000	70 - 19
61550-60A10	71 - 13
61561-60A00	69 - 3
61580-62A00	69 - 6
61590-60A00	70 - 16
61641-60A00	71 - 10
62111-60A20	70 - 18
62120-60A00	71 - 12
62131-60A00	69 - 7
62132-60A00	69 - 8
62210-60A20	69 - 9
62210-60A30	69 - 11
62310-60A30	69 - 12
62310-85C20	69 - 15
62331-85C00	69 - 10
62510-60A20	69 - 10
63111-60A20	69 - 13
63111-61A20	69 - 13
63210-62A00	69 - 14
63210-85C20	69 - 16
63221-60A10	70 - 13
63310-60A10	70 - 13
63410-60A00	70 - 26
63511-60A30	71 - 16
63511-61A20	70 - 14
63610-62A00	71 - 8
	70 - 21

63610-63A20
63621-60A10
63710-60A10
63811-60A00
64111-60A50
64111-61A10
64120-60A10
64130-61A00
64141-61A00
64151-60A00
64214-60A00
64215-60A02
64216-60A00
64217-60A00
64218-60A00
64230-60A00
64231-60A10
64241-61A00
64250-60A00
64250-61A00
64310-60A00
64310-61A00
64511-60A50
64511-61A30
64515-60A02
64516-60A00
64520-60A10
64530-61A00
64541-61A00
64550-60A00
64641-61A00
64650-61A00
64710-60A10
64710-61A20
65110-60A00
65111-61A10
65115-60A10
65120-60A10
65120-61A00
65130-61A20

71 - 15
70 - 23
70 - 25
70 - 27
71 - 17
70 - 1
71 - 1
70 - 11
71 - 5
71 - 22
71 - 24
70 - 10
71 - 4
70 - 3
71 - 3
70 - 4
70 - 6
70 - 8
70 - 9
70 - 34
71 - 30
71 - 28
70 - 32
71 - 26
70 - 28
71 - 18
70 - 2
71 - 2
70 - 5
70 - 7
70 - 12
71 - 6
71 - 23
71 - 25
70 - 33
71 - 29
71 - 27
70 - 29
71 - 19
70 - 37
72 - 1
70 - 38
70 - 39
72 - 6
72 - 2

65141-61A00
65920-60A40
65935-60A10
65945-60A10
65950-60A40
65950-60A50
65965-60A00
65965-61A00
65966-60A00
65966-61A00
65981-61A10
65995-60A00
65996-60A00
67700-60A20
67730-85C00
68001-66A10
68002-66A10
69100-61A50
69275-78200
69310-85C00
69340-85C00
69510-85C00
69520-85C00
71410-60A21
71420-60A11
71451-60A00
71461-60A00
71471-60A00
71481-60A00
71511-60A00
71512-60A00
71513-60A00
71514-60A00
71515-60A00
71516-85C00
71517-56B01
71521-60A00
71632-83010

72 - 5
77 - 37
77 - 51
77 - 38
70 - 35
71 - 31
70 - 30
71 - 20
70 - 31
71 - 21
72 - 3
69 - 17
69 - 18
73 - 1
73 - 14
94 - 1
94 - 2
97 - 1
93 - 16
94 - 3
94 - 4
97 - 2
73 - 15
97 - 3
65 - 39
65 - 40
65 - 42
65 - 47
65 - 48
65 - 50
65 - 34
65 - 33
65 - 35
65 - 28
65 - 29
65 - 32
65 - 51
65 - 37
65 - 30

70000

PART NO.	FIG.NO.-REF.NO.	PART NO.	FIG.NO.-REF.NO.	PART NO.	FIG.NO.-REF.NO.
71701-60A00	74 - 1	73610-60A10-5PK	78 - 1	74174-85C10	79 - 18
71711-61A60-799	74 - 2	73630-60A10-5PK	78 - 2	74176-85C10	79 - 19
71751-86000	75 - 3	73640-60A10-5PK	78 - 3	74180-85C10	79 - 22
71752-86000	75 - 1	73811-60A00-5ES	77 - 13	74183-85C00	79 - 20
71771-60A00	74 - 3	73812-60A00-5ES	77 - 14		80 - 15
71811-61A00-799	75 - 2	73813-60A00-5ES	77 - 15	74184-85C00	80 - 16
71812-60A10	75 - 4	73821-85C00-5ES	77 - 16	74190-85C10	79 - 23
71813-60A10	75 - 5	73822-85C00-5ES	77 - 17	74199-85C10	79 - 13
71815-60A01	75 - 15	73830-60A10	77 - 47	74200-85C30	80 - 1
71816-60A01	75 - 16	73841-60A20-5PK	77 - 18	74211-85C00	80 - 2
71820-60A10	75 - 8	73850-60A00-5ES	77 - 19	74212-85C00	80 - 3
71850-60A10	75 - 9	73856-85C00	77 - 32	74215-85C00	80 - 11
72111-60A30	74 - 7	73857-85C00	77 - 33	74231-85C00	80 - 8
72115-60A00	74 - 10	73860-60A10	77 - 20	74250-85C00	80 - 4
72115-70000	88 - 1	73871-60A10-5ES	77 - 10	74261-85C00	80 - 5
72115-85C00	88 - 14	73880-60A10	77 - 48	74262-85C00	80 - 19
72211-60A00	65 - 44	73890-60A10	77 - 49	74268-85C00	80 - 7
72221-60A00	65 - 45	73911-85C00-5ES	82 - 1	74269-85C00	80 - 6
72372-85C00	66 - 10	73915-60A00	82 - 13	74271-85C00	80 - 12
	73 - 17	73921-60A10-5ES	82 - 6	74281-85C00	80 - 13
72411-60A01	67 - 14	73922-60A10-5ES	82 - 7	74282-85C00	80 - 14
72421-60A00	68 - 27	73931-60A00	82 - 2	74290-85C00	80 - 9
72431-60A02	66 - 9	73932-60A10	82 - 3	74299-85C00	80 - 10
72432-60A00	66 - 11	73933-60A00	82 - 9	74400-85C10	79 - 27
72471-60A00	68 - 33	73934-60A00	82 - 10	74417-60A00	79 - 28
72481-85C00	67 - 2	73951-60A00	77 - 21	74450-85C00-5PK	77 - 31
72482-85C00	67 - 4	74100-85C10	79 - 1	74455-85C00	77 - 34
72485-60A00	68 - 30	74111-85C10	79 - 2	74461-60A10-5PK	77 - 35
72486-60A00	68 - 31	74112-85C10	79 - 3	74512-60A12	79 - 30
72511-85C00	68 - 13	74113-85C10	79 - 4	74513-85C10	79 - 31
72512-85C00	68 - 14	74115-85C00	79 - 5	74514-85C10	79 - 32
72512-85C10	68 - 15	74116-85C00	79 - 6	74611-60A00	78 - 5
72810-85C00	76 - 1	74120-85C10	79 - 12	74612-60A01	78 - 6
72820-85C00-2UN	76 - 8	74133-82000	106 - 7	74613-60A00	78 - 7
72850-60A11	73 - 18	74133-85C00	79 - 7	74614-60A00	78 - 8
72893-60A10	73 - 22		80 - 18	74615-60A00	78 - 9
73111-60A10-5ES	77 - 1	74151-85C00	79 - 8	74617-60A00	78 - 10
73170-50A00	82 - 12		80 - 17	74620-60A10	79 - 33
73311-60A00-5ES	77 - 2	74152-85C00	79 - 9	74812-82000	79 - 24
73312-60A00-5ES	77 - 3	74161-85C00	79 - 10	74813-82000	104 - 60
73411-85C00-5ES	77 - 7	74162-85C00	79 - 11	74814-82000	104 - 61
73414-85C00-5ES	77 - 8	74170-85C10	79 - 21	75140-60A00-5FE	84 - 1
73415-70A00	77 - 53	74171-85C10	79 - 15	75140-60A10-5FE	83 - 1
73420-60820-5ES	44 - 4	74172-85C00	79 - 16	75150-60A00-5FE	84 - 2
	77 - 9	74173-85C10	79 - 17	75150-60A10-5FE	83 - 2

PART NO.	FIG.NO.-REF.NO.	PART NO.	FIG.NO.-REF.NO.	PART NO.	FIG.NO.-REF.NO.
75160-85C10-5EZ	87 - 1	76261-85C80-5ES	84 - 18	77532-60A10-5PK	90 - 8
75180-85C20-6MA	87 - 2	76271-85C10-5ES	83 - 22		91 - 15
75191-56B00	87 - 3	76281-60A30	83 - 16	77534-60A10	90 - 10
75210-85C00	87 - 6		83 - 17		91 - 17
75270-56B00	66 - 14		84 - 19	77535-60A10	90 - 12
75311-60A10	87 - 8		84 - 20		91 - 19
75312-60A10	87 - 9		84 - 21	77536-60A10-5PK	90 - 6
75313-60A01	87 - 11	76282-60A30	83 - 18		91 - 13
75314-56B00	87 - 12		84 - 22	77537-60A10-5PK	90 - 14
75315-60A01	87 - 13	76283-60A30-5ES	83 - 24		91 - 21
75331-60A10	87 - 10		83 - 27	77541-60A10-5PK	90 - 5
75341-56B10	87 - 14	76283-85C80	84 - 15		91 - 12
75342-56B20	87 - 15	76331-60A00	83 - 20	77542-60A10-5PK	90 - 9
75343-56B10	87 - 16	76341-60A00	83 - 21		91 - 16
75511-60A01	88 - 2	76400-61831-5ES	85 - 7	77544-60A10	90 - 11
75512-60A01	88 - 3	76430-60A20	77 - 39		91 - 18
75611-60A01	88 - 4	76481-61A00	88 - 13	77545-60A10	90 - 13
75711-60A01	88 - 5	76510-60A00	89 - 1		91 - 20
76110-85C30-5ES	83 - 3	76520-60A00	89 - 2	77546-60A10-5PK	90 - 7
	84 - 3	76531-60A20	89 - 3		91 - 14
76120-85C30-5ES	83 - 4	76550-85C60	89 - 4	77571-56B00-5PK	91 - 4
	84 - 4	76561-60A00	89 - 5	77575-56B00-5PK	91 - 5
76131-60A30-5ES	83 - 5	77110-61A10	88 - 15	77591-75000	96 - 16
	84 - 5	77120-61A10	88 - 16	77713-85C00-31R	81 - 1
76141-60A30-5ES	83 - 6	77131-60A10	88 - 11	77811-60A00-0PG	81 - 2
	84 - 6	77132-60A00	70 - 41	77823-60A00-G78	81 - 3
76151-60A30-5ES	83 - 7		71 - 33	77831-85C00-31R	81 - 4
	84 - 7		88 - 19	77852-60A10-D51	81 - 5
76161-60A30-5ES	83 - 8	77151-64A00	92 - 1	78110-85C30-5EG	85 - 1
	84 - 8	77161-60A00	92 - 2	78121-61A00	85 - 2
76171-85C30-5ES	83 - 9	77162-60A00	92 - 3	78199-78000	73 - 7
76171-85C80-5ES	84 - 9	77165-60A11	92 - 4		96 - 9
76181-85C30-5ES	83 - 10	77166-60A01	92 - 5		98 - 11
76181-85C80-5ES	84 - 10	77167-60A01	92 - 6	78310-85C50-55M	86 - 1
76191-85C30-5ES	83 - 11	77170-60A00	92 - 7	78310-85C50-6ER	86 - 1
76191-85C80-5ES	84 - 11	77311-60A00-5PK	90 - 1	78410-60A01	86 - 2
76211-85C30-5ES	83 - 12		91 - 1	78421-60A02	86 - 3
76211-85C80-5ES	84 - 12	77312-60A10-5PK	90 - 2	78422-60A02	86 - 4
76221-60A40-5ES	83 - 13		91 - 2	78432-60A00	86 - 48
76221-85C80-5ES	84 - 13	77512-61A00-5PK	91 - 6	78441-60A00	86 - 5
76231-60A40-5ES	83 - 14	77515-61A10-5PK	91 - 9	78442-60A02	86 - 7
76231-85C80-5ES	84 - 14	77517-61A00	91 - 10	78443-60A01	86 - 9
76240-85C10-5PK	83 - 15	77522-61A00-5PK	91 - 7	78444-60A01	86 - 11
	84 - 16	77531-60A10-5PK	90 - 4	78446-60A00	86 - 12
76251-85C80-5ES	84 - 17		91 - 11	78447-60A00	86 - 14

PART NO.	FIG.NO.-REF.NO.	PART NO.	FIG.NO.-REF.NO.	PART NO.	FIG.NO.-REF.NO.
78451-60A00	86 - 6		96 - 7		98 - 16
78452-60A02	86 - 8	82201-66A00	96 - 1	82850-85C00-15P	73 - 9
78453-60A01	86 - 10	82202-66A00	96 - 2		98 - 16
78456-60A00	86 - 13	82277-60A00	96 - 6	82850-85C00-26U	73 - 9
78457-60A00	86 - 15	82287-60A00	96 - 8		98 - 16
78461-60A00	86 - 20		98 - 4	82850-85C00-38B	73 - 9
78462-60A00	86 - 21	82500-60821	44 - 7		98 - 16
78471-60A00	86 - 22		73 - 23	82973-60A01-5ES	96 - 14
78472-60A00	86 - 23	82500-60831	44 - 7	82981-82000-5PK	98 - 18
78510-60A02	86 - 24		98 - 3	83110-85C00-5ES	96 - 17
78518-60A01	86 - 25	82530-60A10	73 - 4	83130-85C00-5ES	96 - 18
78520-60A00	86 - 26	82530-61A00	98 - 1	83170-58B00	98 - 6
78530-60A00	86 - 27	82550-57B00	98 - 7	83175-85C00	98 - 10
78532-60A00	86 - 28	82577-61A00	73 - 24	83190-60A10	73 - 11
78533-60A00	86 - 29		98 - 5	83190-62A00-5ES	98 - 19
78534-60A00	86 - 30	82610-60A00	96 - 10	83195-85C00	73 - 12
	86 - 34	82660-61A00	73 - 6	83401-62A00	95 - 10
78540-60A00	86 - 31		98 - 12	83402-62A00	95 - 11
78542-60A00	86 - 32	82761-85C00	73 - 2	83610-85C00	95 - 3
78543-60A00	86 - 33		98 - 14	83620-85C00	95 - 4
78553-85C00	86 - 36	82810-85C00-0FT	96 - 12	83660-60A00	95 - 7
78554-60A00	86 - 35	82810-85C00-0VP	96 - 12	83662-60A00	95 - 9
78555-60A00	86 - 47	82810-85C00-1FG	96 - 12	83680-60A00	95 - 8
78571-60A00	86 - 49	82810-85C00-1PU	96 - 12	83691-60A00	95 - 6
79161-85C10	54 - 8	82810-85C00-1PV	96 - 12	83701-85C10-5FE	94 - 10
		82810-85C00-15P	96 - 12	83702-85C10-5FE	94 - 11
		82810-85C00-26U	96 - 12	83721-61A00	94 - 13
		82810-85C00-38B	96 - 12	83723-85C00-5ES	94 - 12
		82820-85C00-0FT	96 - 13	83741-61A00	94 - 14
		82820-85C00-0VP	96 - 13	83770-62A00-5FE	97 - 11
		82820-85C00-1FG	96 - 13	83810-65A00	95 - 13
		82820-85C00-1PU	96 - 13	83812-60A00	95 - 15
		82820-85C00-1PV	96 - 13	83820-65A00	95 - 14
		82820-85C00-15P	96 - 13	83900-60820	44 - 9
		82820-85C00-26U	96 - 13		76 - 9
81411-62A00	93 - 1	82820-85C00-38B	96 - 13	83911-60A00	94 - 23
81416-62A00	93 - 2	82850-85C00-0FT	73 - 9	83911-60X50	73 - 21
81430-61A00	93 - 3		98 - 16	83913-61A50	97 - 21
81451-80102	93 - 4	82850-85C00-0VP	73 - 9	83914-85C00	97 - 22
81810-56B00	94 - 7		98 - 16	83940-61A00-5PK	97 - 14
81831-70B00	73 - 19	82850-85C00-1FG	73 - 9	83942-61A00	97 - 15
	94 - 8	82850-85C00-1PU	73 - 9	83960-85C00	76 - 6
81851-85C00	97 - 6	82850-85C00-1PV	73 - 9	84481-60A00-5ES	94 - 16
81852-61A00	97 - 7		98 - 16	84482-60A01	94 - 17
82110-85C00	66 - 4	82850-85C00-15P	73 - 9	84491-61A10-5ES	85 - 5
82160-85C00	66 - 6	82850-85C00-1PV	73 - 9		
82192-85C00	66 - 8				
82200-60831	44 - 5				
	96 - 5				
82200-60841	44 - 6				

80000

PART NO.	FIG.NO.-REF.NO.	PART NO.	FIG.NO.-REF.NO.	PART NO.	FIG.NO.-REF.NO.
84515-85C00	92 - 8	84800-60821-5UN	85 - 13	86724-60A00	101 - 29
	93 - 8	84800-60851-5UN	85 - 12	86726-85C00	101 - 34
84531-85C00	95 - 1	84851-60B00-5ES	85 - 14	86731-60A00	101 - 31
84536-85C00	95 - 2	84901-60A82-5FJ	103 - 1	86733-61A00	101 - 32
84561-85C10	93 - 9	84902-60A82-5FJ	103 - 2	86736-60A00	101 - 30
84566-85C10	93 - 10	84904-60A21-5FJ	103 - 4	86810-60A10	101 - 35
84575-85C00	97 - 13	84904-61A21-5FJ	103 - 5	86830-60A10	101 - 36
84611-56B00-5PK	92 - 9	84905-61A21-5FJ	103 - 6	87105-85C00	102 - 1
	93 - 11	84924-63A10	103 - 3	87106-85C00	102 - 15
84616-61A00-5PK	92 - 10	84925-61A10	103 - 15	87144-85C00	102 - 22
	93 - 12	84926-61A10	103 - 16	87180-85C00-G76	102 - 2
84617-61A10	92 - 11	84955-85C10-5ES	103 - 11	87180-85C00-G95	102 - 2
	93 - 13	84956-85C10-5ES	103 - 12	87191-85C00-5PK	102 - 6
84618-85C00	92 - 12	84958-60A10	103 - 9	87199-85C00	102 - 58
	93 - 14	84966-85C10-5ES	103 - 13	87210-60A12-5PK	102 - 9
84621-61A00-5PK	97 - 16	85105-85C00	101 - 1	87211-85C00-5PK	102 - 12
84622-56B00-5PK	97 - 17	85106-85C00	101 - 19	87221-85C00-5PK	102 - 13
84626-61A00-5PK	97 - 18	85180-85C00-G76	101 - 2	87270-85C00	102 - 26
84627-61A00-5PK	97 - 19	85180-85C00-G95	101 - 2	87277-85C00	102 - 23
84641-65A01	94 - 21	85210-60A10	101 - 5	87278-85C00	102 - 27
84651-65A01	94 - 22	85211-85C00-5ES	101 - 6	87279-85C00	102 - 29
84671-62A00-5PK	93 - 15	85221-85C00-5ES	101 - 10	87291-85C00	102 - 3
84681-61A01-5PK	97 - 20	85222-85C00-5ES	101 - 12	87299-85C00	102 - 57
84701-85C10-0FT	94 - 24	85291-85C00	101 - 14	87305-85C00	102 - 7
84701-85C10-0VP	94 - 24	85305-85C00	101 - 3	87306-85C00	102 - 18
84701-85C10-1FG	94 - 24	85306-85C00	101 - 21	87380-85C00-G76	102 - 8
84701-85C10-1PU	94 - 24	85380-85C00-G76	101 - 4	87380-85C00-G95	102 - 8
84701-85C10-1PV	94 - 24		101 - 22	87399-85C00	102 - 55
84701-85C10-15P	94 - 24	85380-85C00-G95	101 - 4	87580-85C00-G76	102 - 16
84701-85C10-26U	94 - 24		101 - 22	87580-85C00-G95	102 - 16
84701-85C10-38B	94 - 24	85391-85C00	101 - 16	87591-85C00-5PK	102 - 17
84702-85C10-0FT	94 - 25	85451-75100	100 - 19	87610-60A12-5PK	102 - 20
84702-85C10-0VP	94 - 25	85680-85C00-G76	101 - 20	87621-85C00-5PK	102 - 21
84702-85C10-1FG	94 - 25	85680-85C00-G95	101 - 20	87780-85C00-G76	102 - 19
84702-85C10-1PU	94 - 25	85710-60A50	101 - 23	87780-85C00-G95	102 - 19
84702-85C10-1PV	94 - 25	85711-85C00-5ES	101 - 24	87799-85C00	102 - 56
84702-85C10-15P	94 - 25	85721-85C00-5ES	101 - 25	87810-60A00	102 - 32
84702-85C10-26U	94 - 25	85722-85C00-5ES	101 - 26	87820-60A00	102 - 33
84702-85C10-38B	94 - 25	85890-85C00	101 - 17	87831-85C00-5PK	102 - 39
84703-85C10-5PK	85 - 9	85999-85C00	101 - 37	87834-85C00-5PK	102 - 41
84720-85C10	94 - 26		102 - 54	87835-85C00-5PK	102 - 43
84750-85C10-5PK	94 - 29	86401-85C00-5GF	101 - 18	87836-85C00-5PK	102 - 34
84760-85C10	94 - 27	86610-60A10	101 - 27	87840-60A10	102 - 49
84782-85C00	85 - 10	86615-85C00	101 - 38	87850-60A50	103 - 7
84790-85C00-5PK	94 - 30	86630-60A10	101 - 28	87860-60A50	103 - 8

PART NO.	FIG.NO.-REF.NO.	PART NO.	FIG.NO.-REF.NO.	PART NO.	FIG.NO.-REF.NO.
87890-60A11	102 - 50				
87899-85C00	102 - 47				
87910-60A00	102 - 35				
87920-60A00	102 - 36				
87931-85C00-5PK	102 - 44				
87934-85C00-5PK	102 - 45				
87935-85C00-5PK	102 - 46				
87936-85C00-5PK	102 - 37				
87940-85C00	102 - 52				
89101-85C00	100 - 1				
89201-85C00	100 - 5				
89241-85C00	100 - 8				
89260-65AB0	100 - 4				
89280-85C00	100 - 12				
89285-82000	100 - 6				
89285-85C00	100 - 13				
89300-60802	44 - 8				
89311-60A10	100 - 29				
89316-85C00	100 - 30				
89320-85C00	100 - 2				
89371-85C00	100 - 11				
89372-85C00	100 - 9				
89411-60A01	100 - 15				
89430-61A10	100 - 25				
89485-60A00	100 - 20				
89495-85C00	100 - 18				
89496-85C00	100 - 24				
89810-60A10-5PK	77 - 43				
89820-60A00-5ES	85 - 17				
89931-85C00	99 - 2				
89960-85C00	99 - 4				
89968-85C00	99 - 1				
90000					
95000-62A72	104				
95120-56B50	104 - 3				
95130-57B50	104 - 2				
95141-64A60	104 - 11				
95200-64A51	104 - 1				
95210-64A50					
95211-82000					
95212-64A50					
95213-60A50					
95215-82000					
95216-82000					
95230-82116					
95251-82115					
95254-82000					
95258-82010					
95259-82000					
95260-82001					
95271-82000					
95299-82005					
95310-60A51					
95320-60A40					
95330-60A50					
95400-60A51					
95410-60A50					
95421-60A51					
95422-60A50					
95450-60A50					
95452-60F20					
95461-78000					
95471-60A50					
95481-60A50					
95491-60A50					
95526-60A50					
95571-60A50					
95573-60A50					
95575-60A50					
95576-73A00					
95581-60A50					
95582-60A50					
95585-60A50					
95710-60A50					
95720-60A50					
95731-60A51					
95732-60A51					
95733-60A50					
95772-60A50					
95772-70C51					
95773-60A50					
105					
105 - 10					
105 - 13					
105 - 12					
105 - 11					
105 - 18					
105 - 15					
105 - 1					
105 - 2					
105 - 5					
105 - 4					
105 - 3					
105 - 7					
105 - 9					
105 - 20					
104 - 21					
104 - 22					
104 - 28					
104 - 37					
106					
106 - 3					
106 - 1					
106 - 2					
106 - 4					
106 - 6					
106 - 5					
106 - 8					
106 - 10					
104 - 39					
104 - 34					
104 - 56					
104 - 53					
104 - 55					
104 - 51					
104 - 54					
104 - 49					
104 - 50					
104 - 12					
104 - 14					
104 - 42					
104 - 33					
104 - 25					
104 - 18					
104 - 19					
104 - 46					
95777-60A50					
95779-60A50					
95821-60A50					
95911-82000					
95912-83080					
95930-60A50					
95981-60A50					
99011-60A21-22G					
01411-06123					
01411-06203					
01411-08203					
01411-10163					
01421-06203					
01421-06303					
01421-06653					
01421-08163					
01500-06253					
01500-08203					
01500-10203					
01500-10303					
01550-06103					
01550-06123					
00000					
104 - 45					
104 - 38					
104 - 58					
104 - 7					
104 - 6					
104 - 30					
104 - 52					
99 - 6					
4 - 3					
12 - 11					
16 - 9					
15 - 8					
12 - 15					
16 - 4					
11 - 22					
11 - 23					
33 - 15					
3 - 11					
8 - 12					
19 - 34					
5 - 20					
26 - 11					
3 - 16					
4 - 13					
5 - 31					
17 - 8					
17 - 18					
18 - 6					
21 - 23					
42 - 42					
51 - 15					
58 - 14					
60 - 17					
63 - 3					
67 - 15					
68 - 29					
14 - 5					
14 - 25					

PART NO.	FIG.NO.-REF.NO.	PART NO.	FIG.NO.-REF.NO.	PART NO.	FIG.NO.-REF.NO.
01550-06123	25 - 7 42 - 44 79 - 25 80 - 20 104 - 24	01550-08253	9 - 3 9 - 4 24 - 16 33 - 8 104 - 9	01570-06163	14 - 23
				01570-06353	104 - 23
				01570-08123	43 - 31
				01570-08163	11 - 29 21 - 2
	104 - 32	01550-08303	18 - 3		30 - 15
01550-06163	104 - 48 8 - 22 21 - 15 30 - 40		23 - 3 23 - 7 27 - 11 32 - 5		101 - 7 102 - 10 102 - 11 48 - 8
				01570-08203	
	38 - 20		33 - 5		64 - 4
	104 - 20		104 - 16		65 - 41
	104 - 40	01550-08353	8 - 8		94 - 6
	104 - 47		12 - 3	01570-08253	102 - 38
01550-06203	6 - 24		13 - 18	01570-10163	101 - 8
	8 - 23		33 - 2	01570-10203	28 - 16
	17 - 5		33 - 6		57 - 17
	104 - 31		59 - 25	01570-10303	5 - 6
01550-06253	2 - 17 6 - 25	01550-08403	61 - 27 21 - 11		5 - 9 28 - 11
	11 - 6	01550-08453	32 - 7		52 - 10
	15 - 11	01550-08503	33 - 3	01570-10403	5 - 10
01550-06353	15 - 12		104 - 17		101 - 9
01550-06403	61 - 6	01550-08803	32 - 6	01570-10853	65 - 31
01550-06453	19 - 3	01550-08953	23 - 4	01570-12353	57 - 6
01550-06503	2 - 18	01550-10163	19 - 15		57 - 7
01550-06803	2 - 12	01550-10203	9 - 24	01580-06123	66 - 5
01550-08123	11 - 28 18 - 8 27 - 26		21 - 21 58 - 9 102 - 51	01580-06163	66 - 3 73 - 20 75 - 12
	29 - 28	01550-10353	23 - 27		94 - 9
	64 - 8		23 - 29	01580-06253	104 - 29
	74 - 5	01550-10403	23 - 10	01580-08203	59 - 35
01550-08163	11 - 18 11 - 26		23 - 26 23 - 11		75 - 10 75 - 13
	33 - 14	01550-10553	9 - 25		76 - 4
	58 - 10		28 - 17	01580-10203	5 - 16
	61 - 29	01550-10653	28 - 21		5 - 24
	102 - 53	01550-12253	8 - 2	01580-10253	5 - 15
	103 - 10	01550-12653	23 - 20		5 - 21
01550-08203	31 - 28 33 - 12 58 - 11 104 - 4 104 - 10	01550-12753 01570-06123	23 - 21 19 - 19 59 - 8 61 - 4 61 - 10		5 - 23 13 - 9 76 - 7 5 - 18 5 - 8
				01580-10303	
				01580-10353	

PART NO.	FIG.NO.-REF.NO.	PART NO.	FIG.NO.-REF.NO.	PART NO.	FIG.NO.-REF.NO.
01580-10803	5 - 26				
02112-05083	100 - 21	02142-06163	94 - 31	03241-06123	82 - 11
02112-05123	43 - 12		19 - 8		89 - 7
02112-05126	56 - 12		86 - 42		98 - 22
02112-06123	31 - 20	03111-04083	93 - 7	03241-16163	103 - 14
			43 - 20	03242-06163	67 - 8
	86 - 39	03111-06253	85 - 6	03511-04103	94 - 28
02112-06163	76 - 5	03112-04163	39 - 12	03511-04163	41 - 10
	86 - 40		106 - 9		77 - 36
02112-06203	86 - 41	03112-05123	79 - 14	03511-05123	75 - 14
02112-16203	11 - 3	03121-05163	96 - 20		86 - 18
02112-35123	10 - 10	03122-04163	88 - 17	03541-04103	40 - 11
	10 - 15	03141-04083	98 - 21	03541-04123	41 - 19
	10 - 19	03141-04123	41 - 18		78 - 4
02112-36123	93 - 5		94 - 19	03541-05123	42 - 31
02112-76123	73 - 13	03141-05083	105 - 19		77 - 54
	95 - 5	03141-05123	42 - 77		86 - 46
	95 - 12		77 - 5	03541-05163	43 - 43
	98 - 8		77 - 28		78 - 11
	98 - 9		77 - 46		82 - 8
02122-04083	50 - 11	03141-05163	77 - 6	03541-05203	38 - 15
02122-06103	3 - 10		79 - 29		66 - 7
02122-06123	7 - 5		90 - 15	03541-06163	94 - 20
02122-06163	24 - 18		91 - 22	04111-30208	52 - 9
02122-56163	73 - 5	03141-05203	40 - 10		57 - 22
	96 - 3		86 - 45		57 - 33
	98 - 2	03141-06163	88 - 10	04111-30308	47 - 32
02142-04103	64 - 3	03141-06203	31 - 26	04211-09109	6 - 26
	77 - 12	03142-04253	41 - 6		15 - 13
02142-05083	100 - 16	03211-04163	40 - 4	04211-09149	24 - 15
02142-05103	93 - 6	03211-05103	102 - 40	04211-13149	23 - 2
02142-05123	42 - 8	03211-05123	42 - 74		23 - 9
	70 - 36	03211-05163	56 - 11	04221-05109	8 - 3
	71 - 32		85 - 16	04221-06129	15 - 9
	85 - 11	03212-04169	41 - 14	06111-06003	22 - 13
02142-06103	42 - 16	03212-05253	74 - 12		30 - 12
	69 - 19	03241-04123	75 - 7		30 - 17
	72 - 4		77 - 29	06111-10003	31 - 15
02142-06123	11 - 15		102 - 42	06111-12004	24 - 8
	43 - 2	03241-05123	82 - 5		31 - 11
	43 - 4		85 - 4	07120-06123	4 - 9
	43 - 7	03241-05163	101 - 11	07130-08253	105 - 6
	43 - 27		101 - 13	08133-62067	27 - 29
	74 - 6		102 - 4	08173-62100	30 - 18
	77 - 27	03241-05203	77 - 50	08211-14221	31 - 8
	77 - 45	03241-06103	67 - 6	08310-00063	12 - 13

PART NO.	FIG.NO.-REF.NO.	PART NO.	FIG.NO.-REF.NO.	PART NO.	FIG.NO.-REF.NO.
08310-00063	59 - 12		79 - 26	08331-41303	105 - 8
	59 - 31		80 - 21	08331-41626	27 - 30
	86 - 19		104 - 8	08332-11056	59 - 33
	97 - 9		104 - 41		102 - 48
08310-00083	12 - 5	08316-10103	12 - 16	08332-11086	102 - 14
	21 - 13		13 - 10	08332-11126	31 - 9
	34 - 9		59 - 19	08341-31059	6 - 13
	59 - 28	08316-10123	23 - 24	08361-15063	68 - 16
	61 - 31	08316-20063	73 - 10	08361-35063	16 - 10
	105 - 17		96 - 15		16 - 12
08310-00103	5 - 4		98 - 17	09100-06055	59 - 30
	27 - 34	08316-20083	47 - 12	09100-06150	59 - 11
	28 - 19		77 - 30	09100-08294	77 - 40
	52 - 21	08321-01083	34 - 8		77 - 41
	52 - 24		59 - 27		77 - 42
	57 - 9		105 - 16		77 - 52
	89 - 8	08321-01103	5 - 3	09100-10069	59 - 15
08310-00123	47 - 7		27 - 33	09100-12055	47 - 33
	47 - 23		28 - 18	09100-12056	47 - 20
	47 - 35	08321-01123	29 - 11		52 - 3
	52 - 6		47 - 6		52 - 13
	52 - 16		47 - 22	09100-12057	52 - 25
	52 - 27		47 - 34	09100-12067	47 - 5
	53 - 7		52 - 5	09100-12111	62 - 16
	57 - 15		52 - 15	09100-14002	47 - 24
08310-00143	47 - 8		52 - 26	09103-06066	16 - 3
	47 - 27		53 - 6	09103-06168	12 - 10
08313-20083	45 - 6		57 - 14	09103-08131	23 - 6
08314-40123	57 - 21		62 - 17	09103-08132	58 - 8
	57 - 32	08321-01143	47 - 9	09103-08134	23 - 5
08314-40143	47 - 31		47 - 26	09103-08153	23 - 13
	52 - 8	08321-21208	57 - 3	09103-08230	9 - 10
08316-10063	4 - 4	08322-01053	102 - 5	09103-08247	104 - 5
	8 - 11	08322-01063	12 - 12	09103-10200	6 - 19
	11 - 24		21 - 19	09103-12033	28 - 13
	11 - 32		102 - 30	09103-12043	65 - 43
	16 - 5	08322-01083	21 - 12	09108-06056	8 - 9
	39 - 8		59 - 26	09108-12006	23 - 22
	45 - 4		61 - 30	09108-12007	23 - 23
	46 - 10		97 - 10	09111-06058	74 - 4
	90 - 17		102 - 24	09115-06001	37 - 5
	91 - 24	08322-01103	89 - 9		42 - 26
08316-10083	9 - 6	08331-31356	30 - 5		45 - 2
	33 - 9	08331-31383	105 - 14		68 - 28
	33 - 16	08331-41156	15 - 6	09116-05014	100 - 7

PART NO.	FIG.NO.-REF.NO.	PART NO.	FIG.NO.-REF.NO.	PART NO.	FIG.NO.-REF.NO.
09116-06056	8 - 19	09139-05028	42 - 52	09160-35006	27 - 22
09116-06144	64 - 7		46 - 25	09160-35013	29 - 23
09116-06155	11 - 40	09139-05037	86 - 16	09160-35014	29 - 23
09117-06033	4 - 2	09139-06052	75 - 6	09160-35015	29 - 23
09117-06054	32 - 9		75 - 11	09162-10008	27 - 13
	32 - 11	09139-06058	45 - 14	09164-15006	27 - 16
09117-06055	22 - 34		86 - 43		29 - 15
09118-08084	101 - 33		86 - 44	09165-10002	48 - 4
09118-08107	33 - 11	09139-08015	56 - 3	09165-10003	52 - 22
09118-08128	73 - 3	09140-10040	5 - 28	09166-16015	22 - 53
	98 - 15	09140-10043	43 - 14	09166-25012	30 - 13
09118-08135	56 - 4	09140-16022	57 - 26	09168-06023	14 - 17
09118-08156	73 - 16	09140-16023	57 - 28	09168-12016	9 - 14
	94 - 5	09148-03004	102 - 28		9 - 16
	97 - 4	09148-04021	41 - 7	09168-14009	58 - 19
	97 - 5		88 - 18	09168-14012	4 - 6
09118-10052	5 - 13	09148-05018	74 - 9	09168-16004	58 - 20
09118-10068	100 - 3	09148-06005	102 - 31	09168-20001	28 - 3
09119-12008	50 - 2		102 - 59	09180-06106	8 - 20
09125-06041	85 - 8	09148-06006	17 - 20		19 - 12
	46 - 2	09148-06007	94 - 18		19 - 47
09125-06058	15 - 4		96 - 19	09180-08095	13 - 19
09126-06007	85 - 15		98 - 20	09180-08129	11 - 39
09127-05016	42 - 10	09148-08002	102 - 25	09180-08171	19 - 36
09128-06043	43 - 33	09150-06014	21 - 18	09180-10117	28 - 23
	31 - 17	09159-08033	6 - 6	09180-10118	59 - 17
09128-10002	33 - 20	09159-08069	60 - 11	09180-26004	30 - 9
09129-06002	42 - 36	09159-08075	63 - 27	09181-35016	27 - 4
09132-05041	87 - 5	09159-10090	26 - 12		29 - 4
09136-05045	14 - 3	09159-12024	54 - 2	09181-35018	27 - 4
	100 - 28		76 - 2		29 - 4
09136-06004	101 - 15	09160-06057	8 - 10	09181-35020	27 - 4
09136-06061	77 - 22	09160-06107	97 - 8		29 - 4
09136-06078	67 - 5	09160-08010	77 - 26	09181-35022	27 - 4
	67 - 12	09160-08075	19 - 35		29 - 4
	67 - 16	09160-08097	12 - 6	09181-35023	27 - 4
	70 - 40	09160-09007	59 - 5		29 - 4
09136-06086	19 - 11	09160-10104	28 - 22	09181-62003	30 - 21
	19 - 46	09160-10119	5 - 27	09181-62004	30 - 21
09137-08004	96 - 11	09160-12079	57 - 13	09181-62005	30 - 21
	73 - 8	09160-13011	89 - 6	09181-62008	30 - 21
09137-08006	98 - 13	09160-18018	31 - 13	09181-62009	30 - 21
	96 - 4	09160-35002	27 - 22	09205-03019	21 - 6
09138-06026	42 - 14	09160-35003	27 - 22	09205-03022	30 - 36
09138-06040	33 - 18	09160-35004	27 - 22	09205-03037	24 - 35
09138-08003					

PART NO.	FIG.NO.-REF.NO.	PART NO.	FIG.NO.-REF.NO.	PART NO.	FIG.NO.-REF.NO.
09205-05007	27 - 18	09269-35010	53 - 9		
	29 - 18	09269-41001	50 - 14		19 - 13
09205-05012	24 - 6	09280-07005	104 - 26	09308-11009	19 - 48
	24 - 33		104 - 35	09308-15006	51 - 12
	31 - 6	09280-10015	4 - 12	09308-25002	11 - 7
					42 - 21
09205-05015	24 - 34	09280-11002	23 - 17	09308-28001	42 - 51
09205-05016	24 - 7		32 - 16	09308-40001	42 - 66
09205-06016	24 - 36		32 - 18	09308-42001	42 - 34
09206-13001	2 - 8	09280-11006	104 - 15	09320-10024	48 - 3
09206-13011	32 - 4		104 - 27	09320-10040	52 - 23
09206-15001	23 - 19	09280-14012	104 - 13	09320-12011	19 - 37
09209-13018	21 - 17		104 - 43	09321-10023	67 - 17
09209-14001	66 - 12	09280-17005	4 - 8	09352-70111-00A	17 - 15
09241-12002	2 - 4	09280-21008	30 - 11	09352-70111-300	17 - 12
09241-20006	2 - 5	09280-24009	30 - 38	09352-70121-600	17 - 13
09241-30009	3 - 2	09280-28008	1 - 12	09354-13203-600	9 - 20
09246-04002	9 - 31		18 - 5		9 - 29
09246-05006	3 - 3	09280-56004	1 - 7	09354-13204-600	100 - 10
09246-06001	3 - 4		2 - 16	09354-54115-300	100 - 14
09246-06002	3 - 5	09282-07001	30 - 39		100 - 22
09246-08002	3 - 6	09282-25006	22 - 15		100 - 23
	15 - 7	09282-35002	30 - 6	09354-54116-600	100 - 17
09247-14027	4 - 5	09282-48003	53 - 11	09354-90143-600	11 - 19
09248-12005	24 - 12	09283-25088	22 - 6	09358-35754-300	19 - 20
09250-10006	24 - 13	09283-32038	6 - 11		19 - 21
09250-10016	68 - 36		7 - 2		19 - 23
09250-14008	43 - 16	09283-35008	27 - 31		19 - 25
09250-16013	88 - 12	09283-40021	30 - 42		19 - 26
09250-20015	88 - 7	09283-40022	27 - 7		19 - 27
09250-20017	42 - 71		29 - 7		19 - 42
09250-25007	42 - 53	09283-54001	50 - 16		19 - 43
	68 - 35	09283-68002	6 - 21	09358-35754-600	19 - 24
	88 - 8	09284-45001	53 - 8	09360-12008	14 - 19
09250-30015	88 - 9	09286-64001	50 - 21	09367-08003	51 - 7
09250-35003	68 - 34	09286-75001	50 - 17	09367-08004	24 - 22
09251-09002	59 - 10	09289-48004	50 - 20	09381-24001	27 - 28
	59 - 29	09300-25028	22 - 30		49 - 14
09261-02010	22 - 59	09300-30003	22 - 18	09385-10006	60 - 15
09261-03017	24 - 9		22 - 48	09388-00017	22 - 42
09262-20073	22 - 31	09306-06004	59 - 32	09388-00019	22 - 43
09262-25073	22 - 11	09306-13004	59 - 16	09400-24301	58 - 23
09262-30077	30 - 20	09307-09001	59 - 3	09400-36312	18 - 12
	30 - 32	09307-16001	59 - 22	09401-11407	17 - 14
09263-16025	22 - 51	09308-03005	42 - 61	09401-12404	10 - 24
09263-40006	30 - 41	09308-10004	8 - 21	09401-27402	57 - 20

PART NO.	FIG.NO.-REF.NO.	PART NO.	FIG.NO.-REF.NO.	PART NO.	FIG.NO.-REF.NO.
09402-68202	11 - 9	09409-06314-5PK	82 - 4	09481-15101	42 - 3
09402-76502	11 - 12	09409-06318	65 - 46	09481-20101	42 - 4
09403-06404	61 - 36	09409-07308-5PK	90 - 3	09481-50201	42 - 12
09403-07306	38 - 17	09409-07313	91 - 3	09481-60301	42 - 13
09403-07307-5PK	66 - 13	09409-07315	74 - 11	09482-00155	2 - 13
09403-07312	61 - 3	09409-07318-5ES	77 - 11	09482-00167	2 - 13
09403-08323	99 - 3	09409-07320	83 - 28		
09403-08404	14 - 24		84 - 28		
09403-09314	19 - 49		42 - 20		
09403-11311	24 - 25		42 - 46		
09403-14408	51 - 14	09409-08308-5PK	83 - 23		
09404-06402	10 - 9	09409-08310	84 - 26		
	17 - 16	09409-08320	84 - 27		
09407-05403	37 - 6		94 - 15		
	41 - 22		97 - 12		
	42 - 22	09409-08322	83 - 29		
	42 - 67		84 - 29		
09407-12404	37 - 8	09409-10304-5ES	68 - 32		
	42 - 23		91 - 8		
	42 - 23	09410-00074	86 - 17		
	42 - 23		86 - 37		
	42 - 41	09410-00075	86 - 38		
	42 - 68	09440-05037	24 - 38		
09407-14403	104 - 59	09440-08026	21 - 16		
09407-14406	37 - 7	09440-08029	24 - 39		
09407-14408	42 - 37	09440-10033	31 - 12		
	51 - 11	09440-19020	31 - 7		
09408-00021	42 - 24	09448-21003	59 - 4		
09408-00024	42 - 45	09462-00008	99 - 5		
09408-00035	19 - 30	09471-12045	39 - 5		
09408-00055	42 - 19	09471-12055	38 - 13		
09408-00056	19 - 32	09471-12057	41 - 3		
09408-00100	17 - 19	09471-12060	39 - 3		
09408-00111	19 - 28	09471-12064	41 - 4		
09408-00117	18 - 18		41 - 16		
09408-00123	104 - 57	09471-12073	40 - 3		
09408-00124	19 - 31		40 - 9		
09408-00128	58 - 25	09471-12079	39 - 13		
09408-00137	19 - 44	09471-12081	39 - 6		
09408-00149	104 - 36		41 - 9		
09408-00157	11 - 41	09471-12092	38 - 11		
09408-00161	28 - 8	09471-12135	43 - 9		
09408-16001	104 - 44		43 - 18		
09409-05309-5ES	83 - 25	09471-85C00	43 - 36		
09409-06309-5ES	66 - 15	09481-10101	42 - 2		